

INSTALL GUIDE

SAFETY

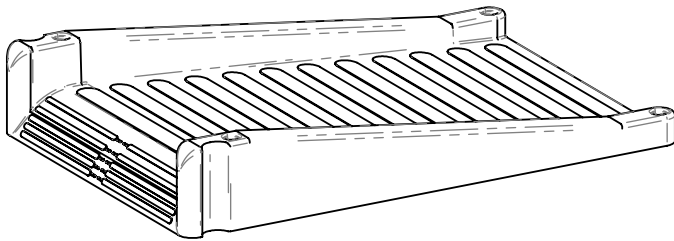
- Check to ensure that plans will meet local codes and guidelines
- Do not install on concrete, asphalt, or other hard surfaces
- Space equipment to ensure proper traffic flow and safe usage

KIT CONTENTS

APS – ADA Half Ramp

Ideal for connecting an accessible route to the use zone of a loose fill playground

- ADA Half Ramp (1 pc.)



- 100-Filler 12" (2 pcs.)



- 100-Spike 12" (2 pcs.)



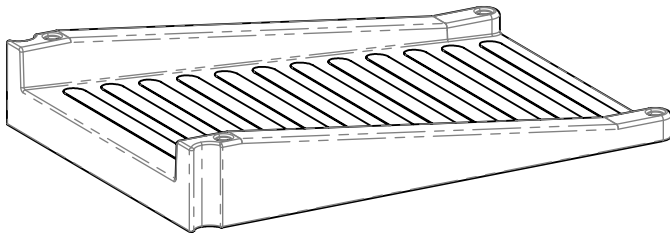
- 100-Spike 8" (2 pcs.)



APS – ADA Sidewalk Mount Ramp

Ideal for connecting an existing use zone to an adjacent sidewalk

- ADA Sidewalk Mount Ramp (1 pc.)



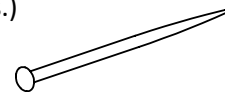
- 100-Filler 12" (2 pcs.)



- 100-Spike 12" (2 pcs.)



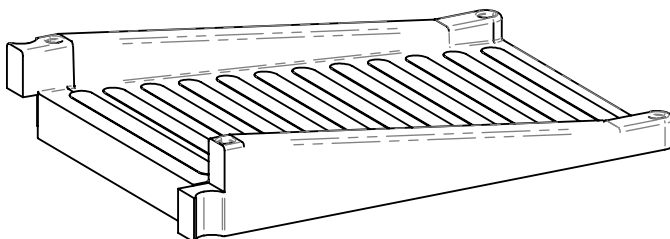
- 100-Spike 8" (2 pcs.)



APS – ADA Full Ramp

Ideal for larger use zones where additional access, egress, and turn around room is desired

- ADA Full Ramp (2 pcs.)



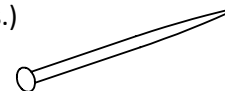
- 100-Filler 12" (2 pcs.)



- 100-Spike 12" (4 pcs.)



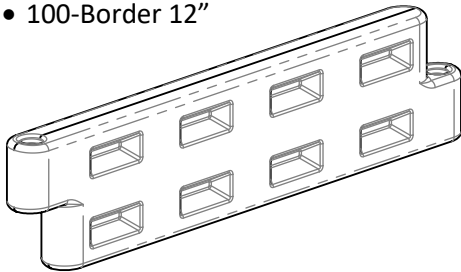
- 100-Spike 8" (4 pcs.)



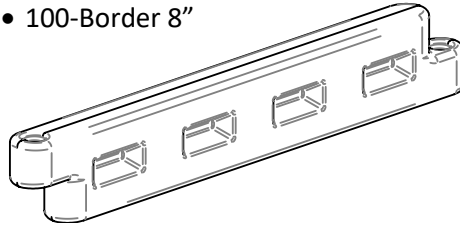
INSTALL GUIDE

AVAILABLE COMPONENTS (NOT INCLUDED)

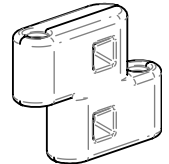
- 100-Border 12"



- 100-Border 8"

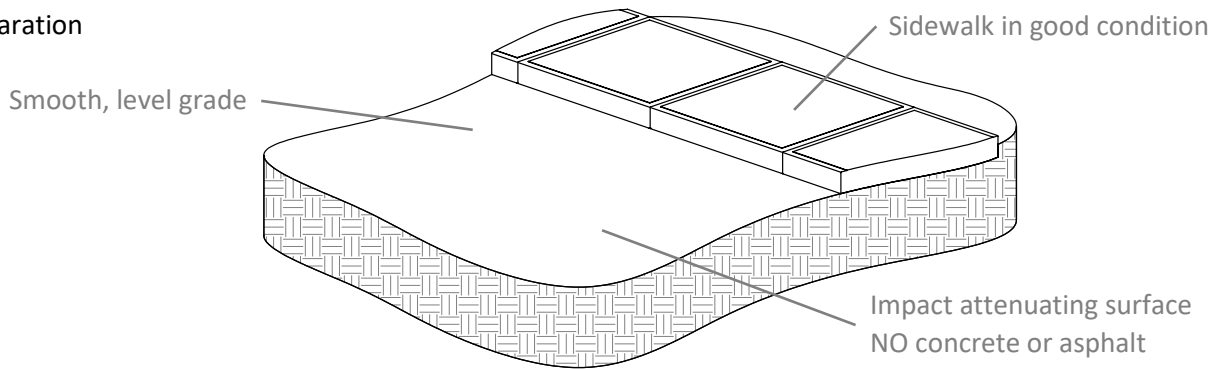


- 100-1'-Border-12"

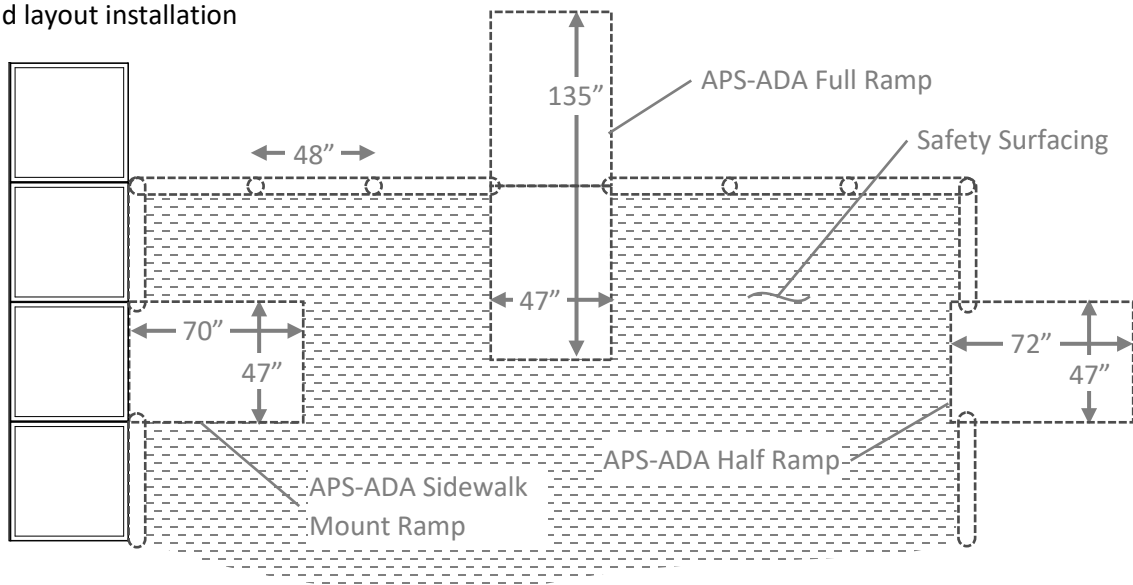


INSTALLATION

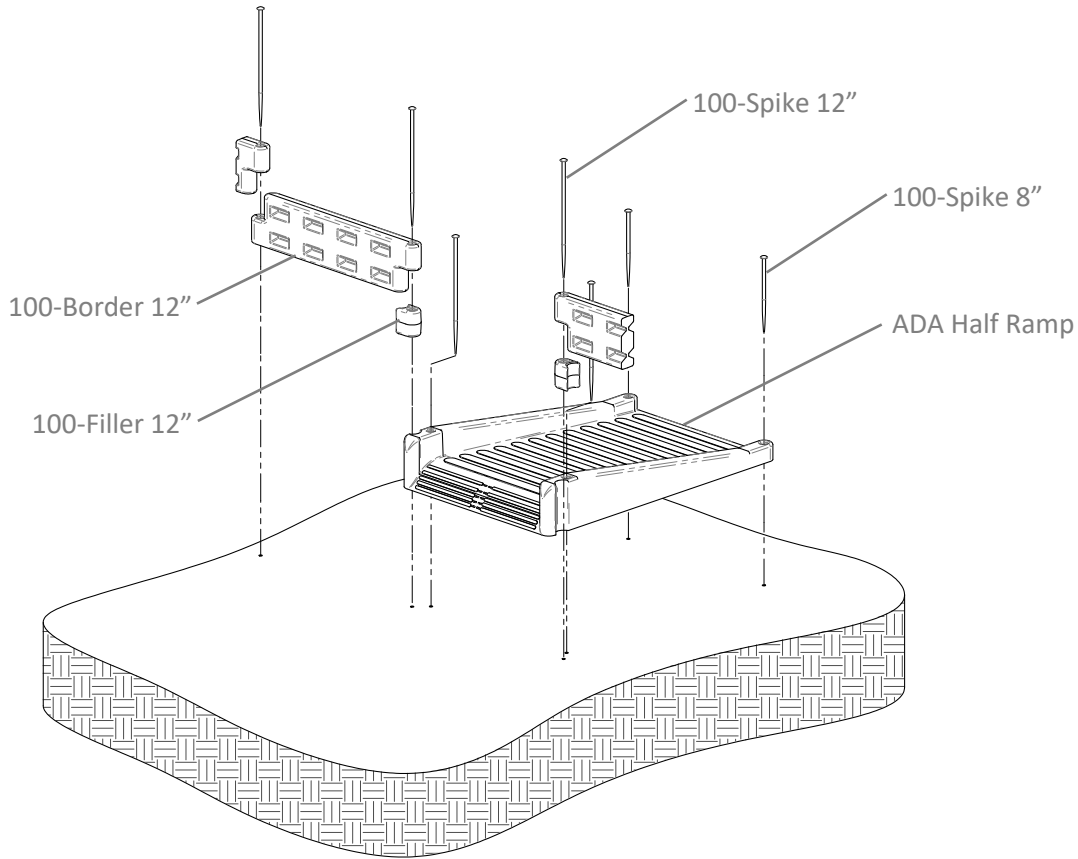
- Site preparation



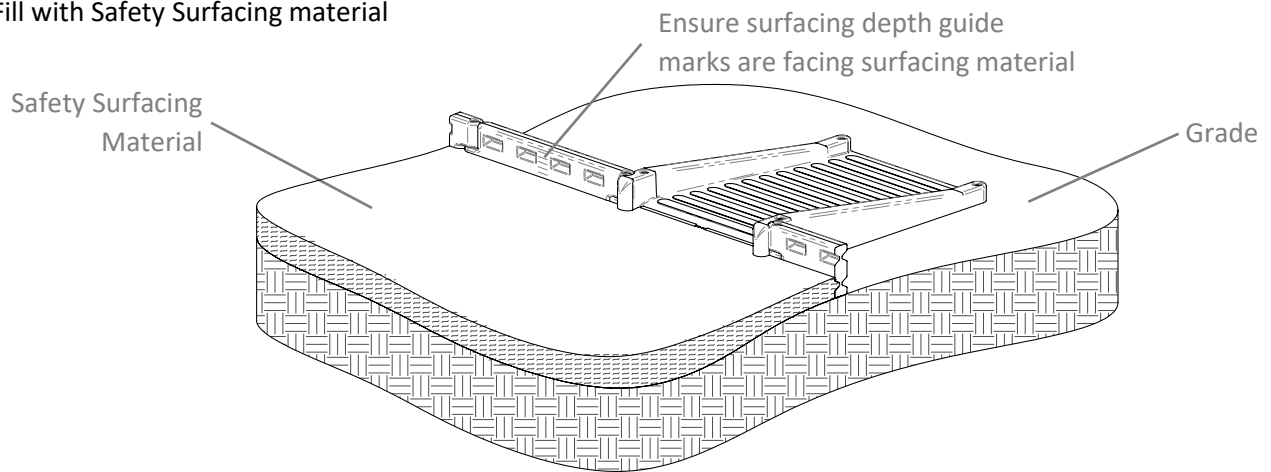
- Plan and layout installation



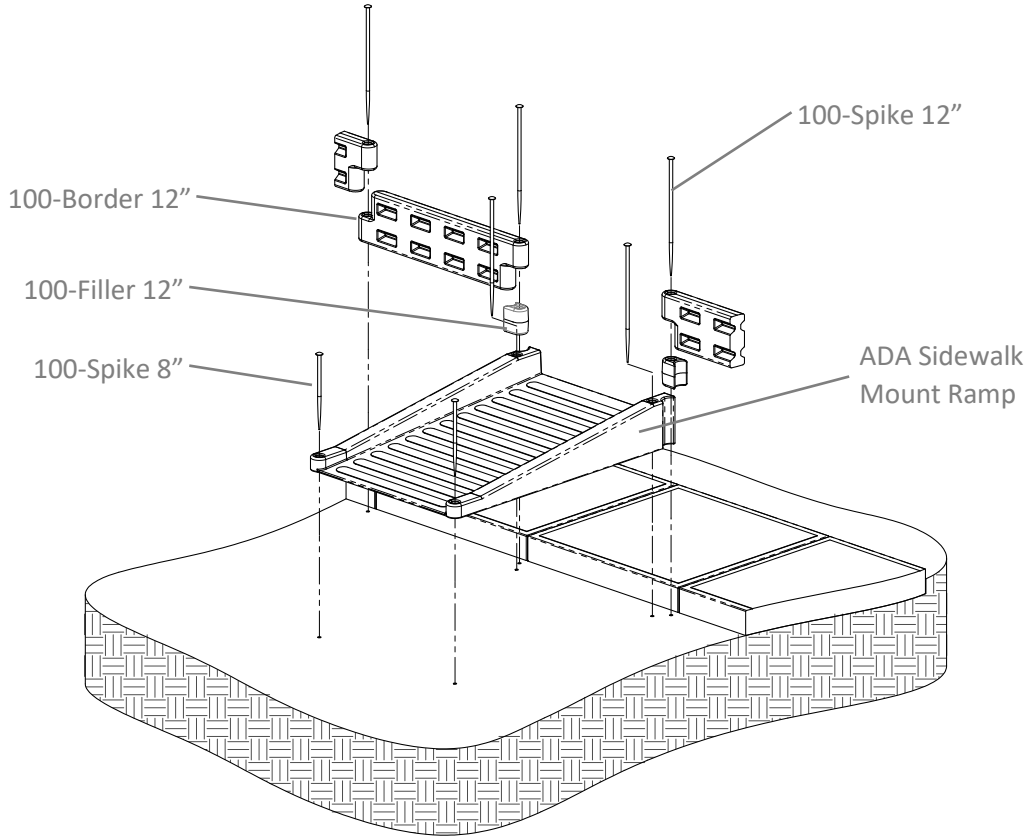
ADA Half Ramp Installation



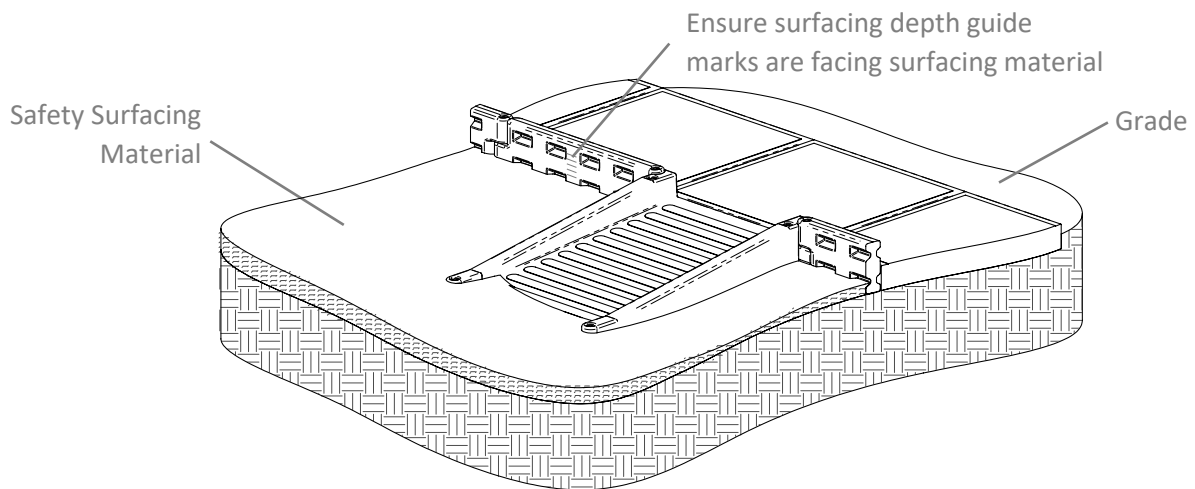
- Fill with Safety Surfacing material



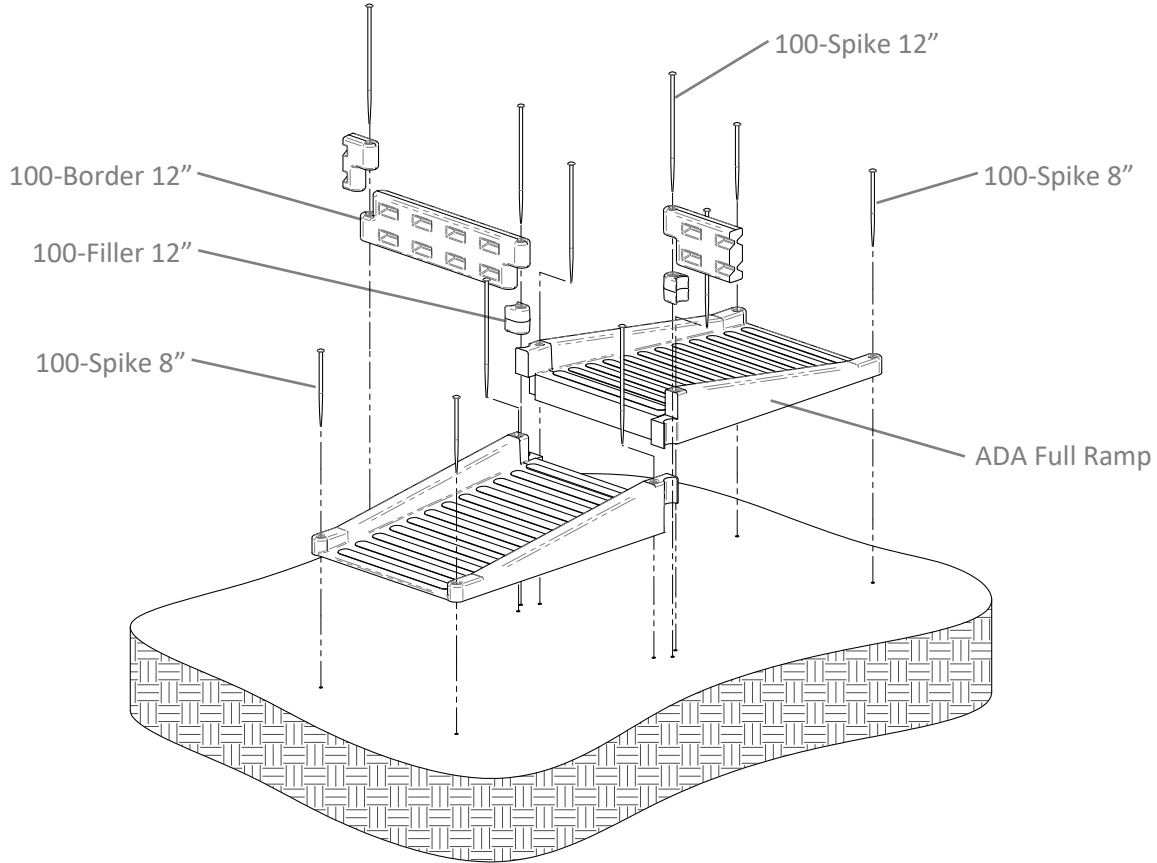
ADA Sidewalk Mount Ramp Installation



- Fill with Safety Surfacing material



ADA Full Ramp Installation



- Fill with Safety Surfacing material

