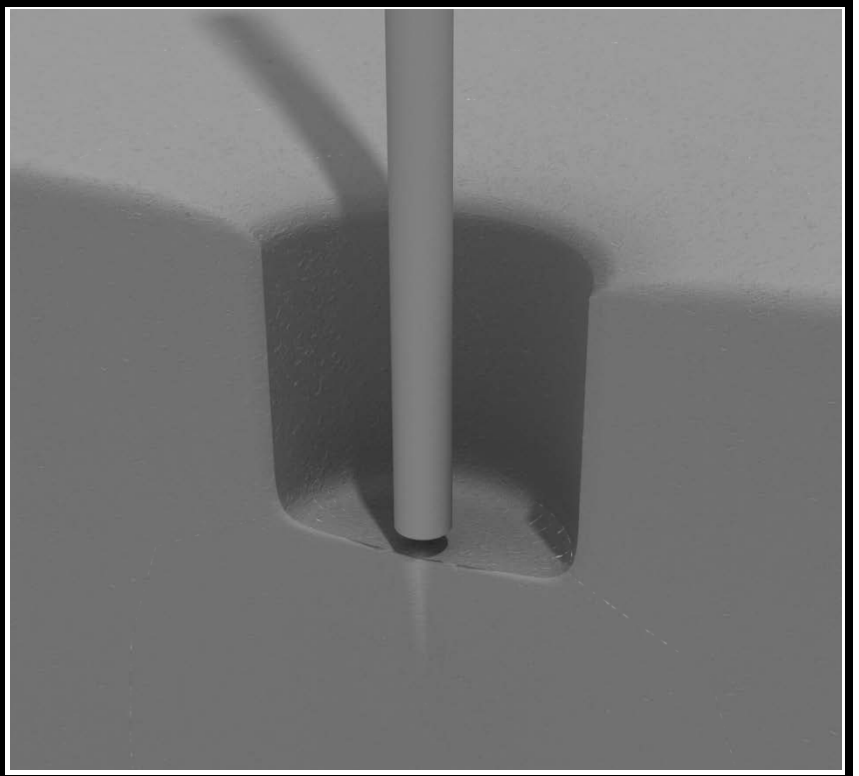


STEP: 1

**DO NOT CEMENT POSTS INTO PLACE
UNTIL THE ENTIRE STRUCTURE IS
ASSEMBLED.**

Refer to the General Installation
guide footing information and dig
proper holes for the support posts.



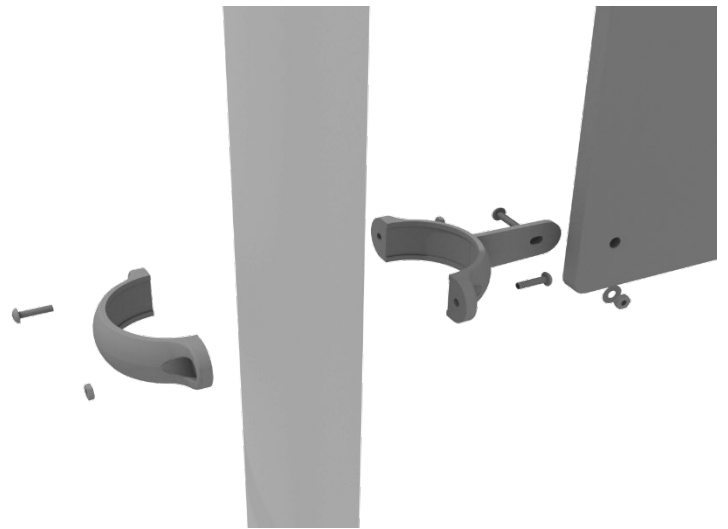
4.5-inch Clamp Installation Examples

The following two pages will include examples of how to install some of the most common types of Clamps that are present on our structures that use 4.5-inch outside diameter posts. The structure that you are assembling might not require all the types of clamps listed in these examples.

The Install Guides for specific components that come later in this document might call for a specific type of clamp (a tube clamp for example), those sections will not include detailed instructions for the clamps and should direct you back to this section for more detailed information.

4.5-inch Flat Clamp Installation Example

Connect half of the flat clamp to the component using one (1) M8*30 bolt and Lock Nut. Then, using the other half of the flat clamp and the hardware provided in the clamp hardware bag, attach the backside of the flat clamp around the post.



4.5-inch Clamp Installation Examples

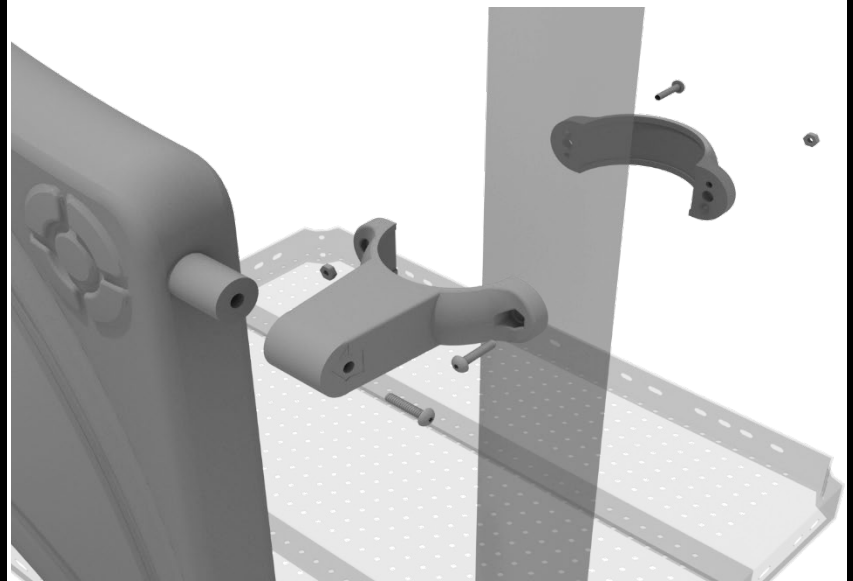
4.5-inch Tube Clamp Installation Example

Insert Bar on Component into one half of the Tube Clamp and attach with M4*25 Set Screw. Then, using the other half of the tube clamp and the hardware provided in the clamp hardware bag, attach the backside of the tube clamp around the post.



4.5-inch Double Slide Clamp Installation Example

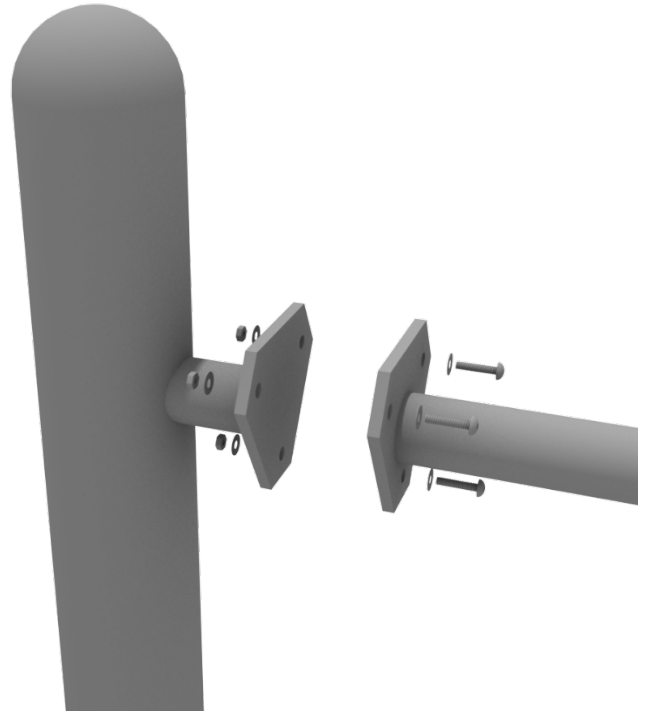
Connect half of the double slide clamp to the double slide hood using one (1) M8*30 bolt. Then, using the other half of the clamp and the hardware provided in the clamp hardware bag, attach the backside of the double slide clamp around the post.



Get Physical Series – Standard Attachment Point Installation

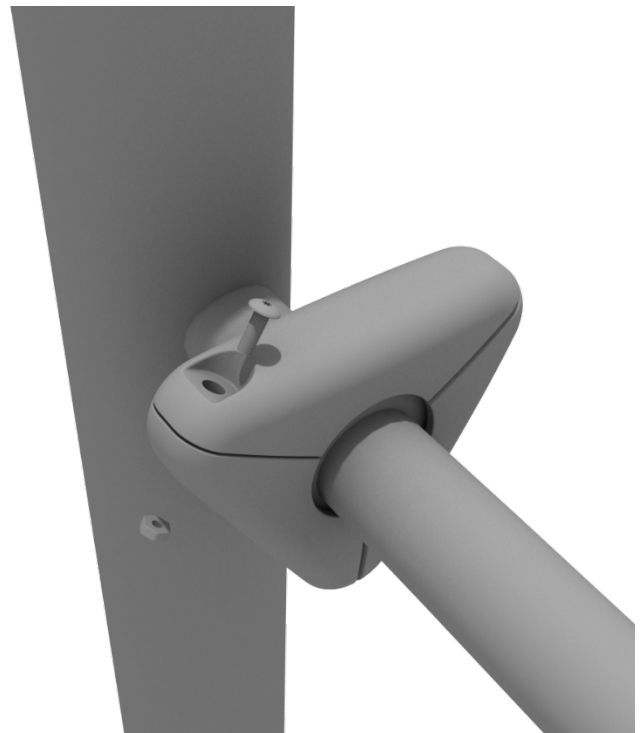
STEP: 1

Most components of a Get Physical series structure attach using this standard attachment point. Use three (3) M10*25 bolts, six (6) M10 washers, and three (3) M10 lock nuts.



STEP: 2

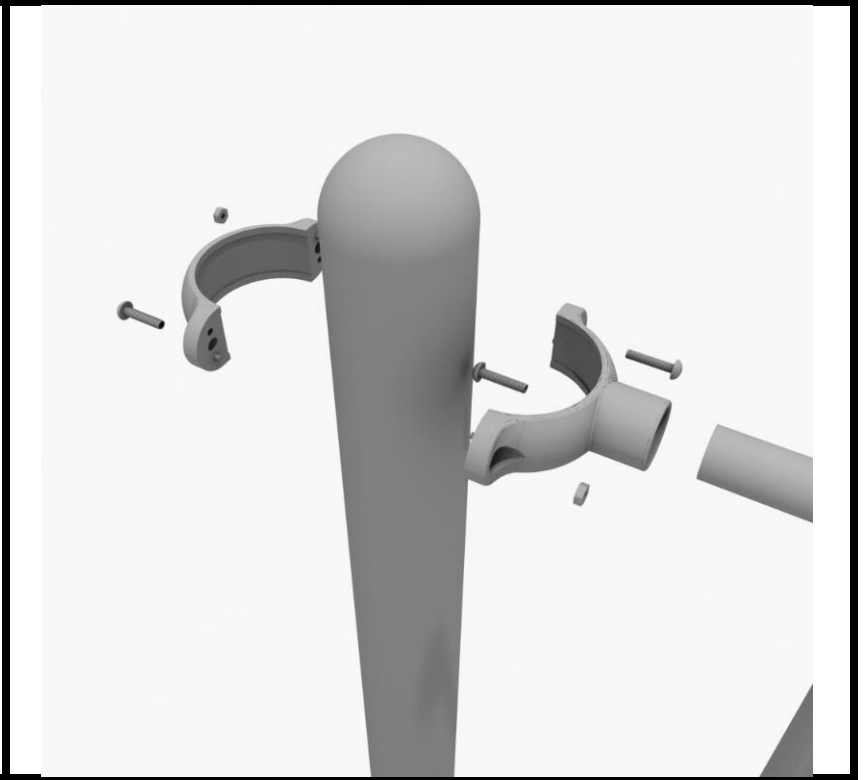
Each of these attachment points has a rubber cover to protect the bolts. Attach the cover and secure using the pre-attached M8*40 bolt and M8 lock nut.



4.5-inch 3-foot Transfer Station Install

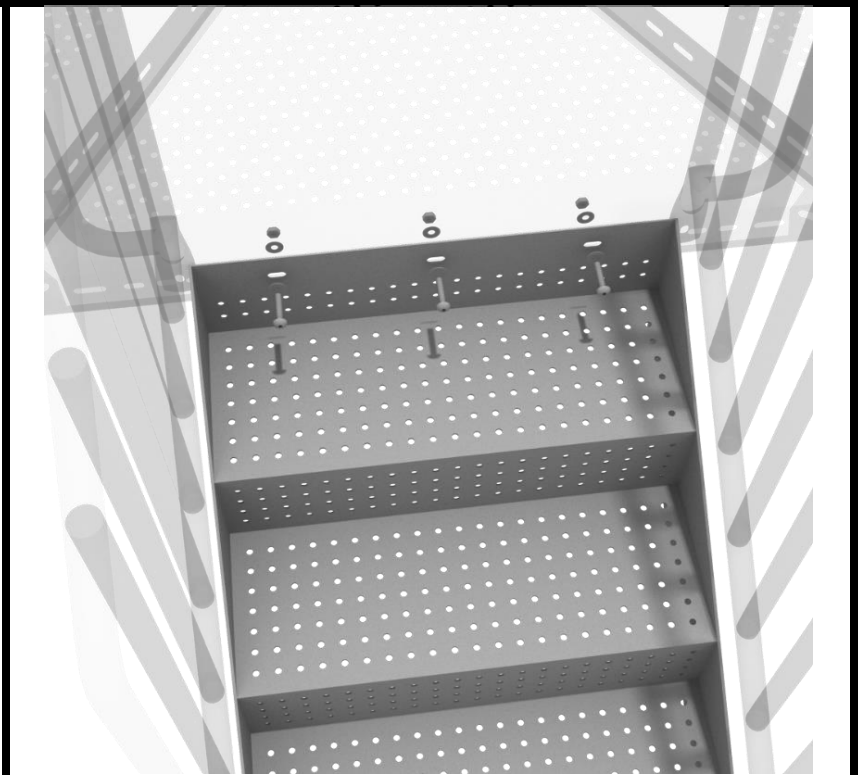
STEP: 1

Connect half of a tube clamp to the ADA transfer handrail using one (1) M4*25 self-tapping screw. Set the handrail into place, then attach the second half of the clamp using the hardware provided in the clamp bag. Repeat this process for the other handrail.



STEP: 2

Using three (3) M10*25 bolts, six (6) M10 washers, and three (3) M10 lock nuts, attach the top of the stairs to the half hex deck. Then using four (4) M10*30 bolts, eight (8) M10 washers, and four (4) M10 lock nuts, attach the handrail to the bottom of the stairs. Then, using two (2) M10*25 bolts, four (4) M10 washers, and two (2) M10 lock nuts, attach the handrails to the deck.



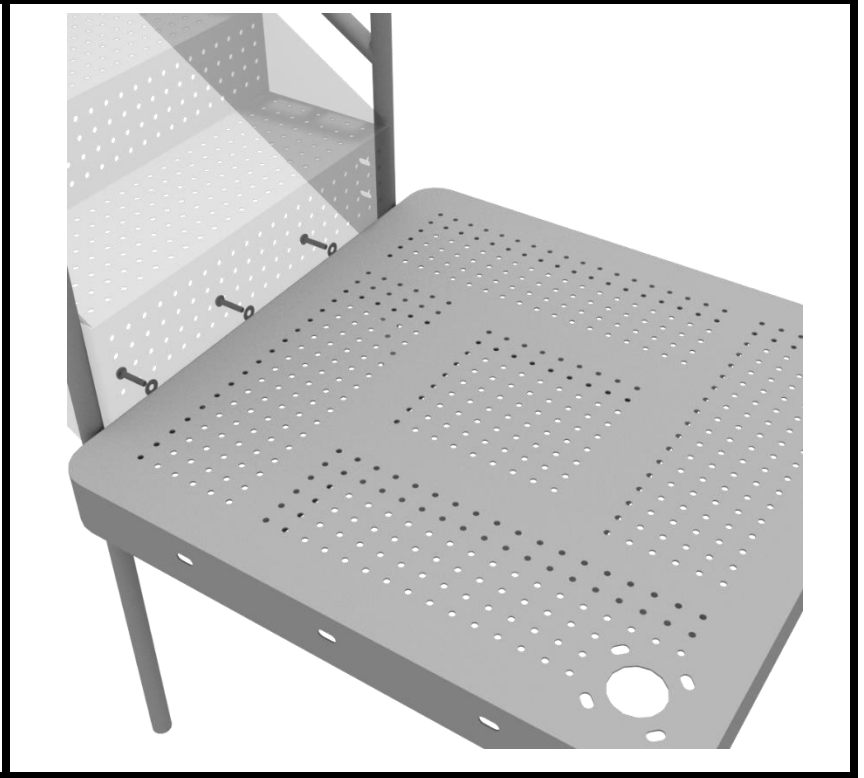
1 Playground Drive
Greenfield, IN 46140
1-800-667-0097

Created By: Aaron Price
Date Modified: 04/25/18

4.5-inch 3-foot Transfer Station Install

STEP: 3

Using three (3) M10*25 bolts, six (6) M10 washers, and three (3) M10 lock nuts, attach the ADA transfer deck to the base of the 4-foot ADA transfer stair.



STEP: 4

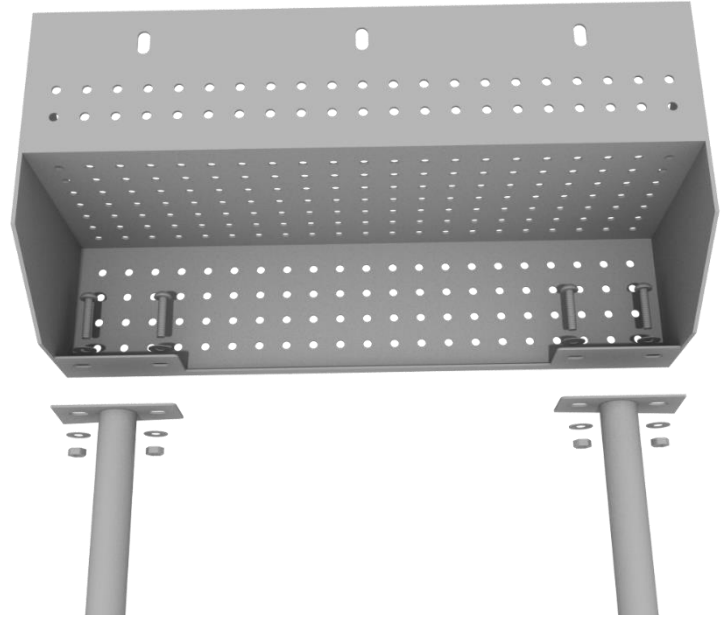
See general installation guide regarding footing information for the transfer deck handrail. Using four (4) M10*25 bolts, eight (8) M10 washers, and four (4) M10 lock nuts, attach each transfer deck handrail to the ADA transfer deck.



4.5-inch 3-foot Transfer Station Install

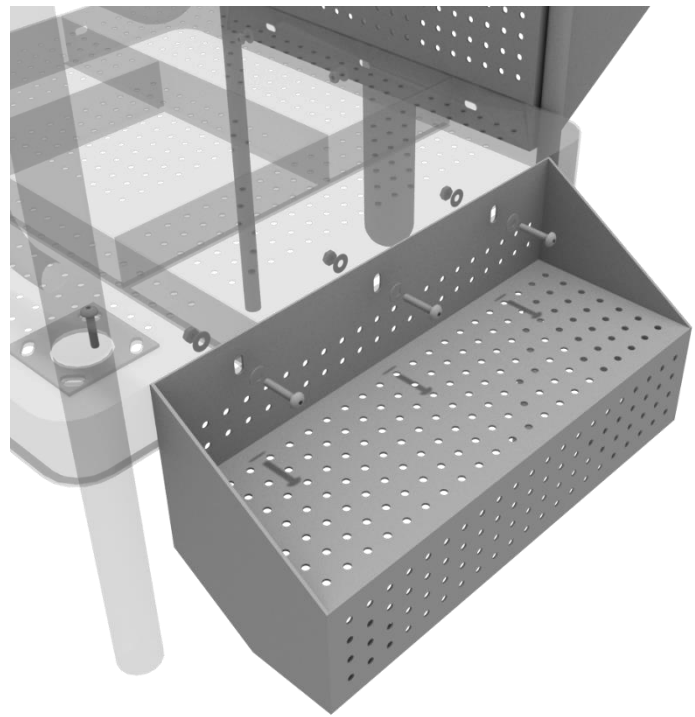
STEP: 5

See general installation guide regarding footing information for the ADA transfer step mount. Using two (2) M10*25 bolts, four (4) M10 washers, and two (2) M10 lock nuts, attach the transfer step to each ADA transfer step mounts.



STEP: 6

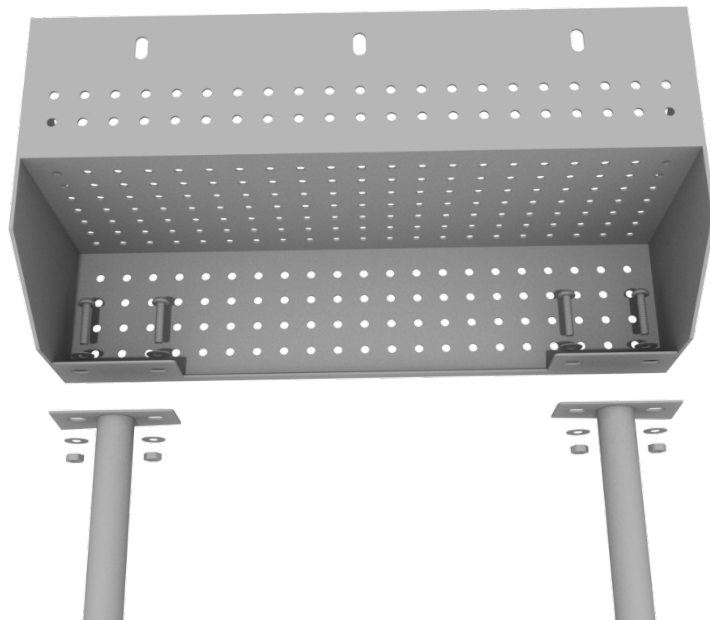
Using three (3) M10*25 bolts, six (6) M10 washers, and three (3) M10 washers, attach the top of the ADA transfer step to the ADA transfer deck.



ADA Step Install

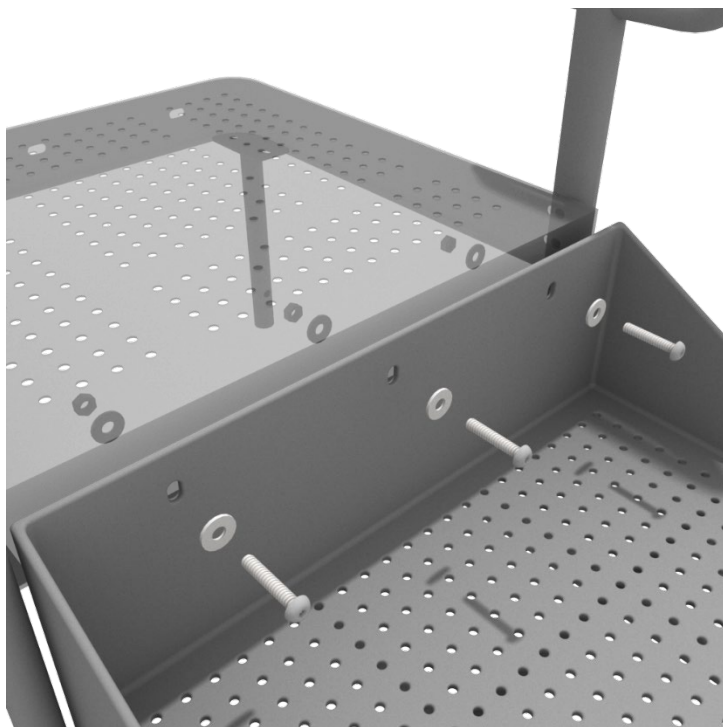
STEP: 1

See general installation guide regarding footing information for the ADA transfer step mount. Using two (2) M10 bolts, four (4) M10 washers, and two (2) M10 lock nuts, attach the transfer step to each ADA transfer step mount.



STEP: 2

Using three (3) M10*25 bolts, six (6) M10 washers, and three (3) M10 washers, attach the top of the ADA transfer step to the ADA transfer deck.



Square Deck Installation

STEP: 1

After the posts are in place, using four (4) M10*35 Bolts, eight (8) M10 Washers, and four (4) M10 Lock Nuts, attach each square deck to each pre-attached deck clamp as shown in the image.

Deck clamps are pre-attached to the posts and should not be altered in any way.



Half Hex Deck Installation

STEP: 1

After the posts are in place, using five (5) M10*35 bolts, ten (10) M10 washers, and five (5) M10 lock nuts, attach the deck to each pre-attached deck clamp as shown in the image.

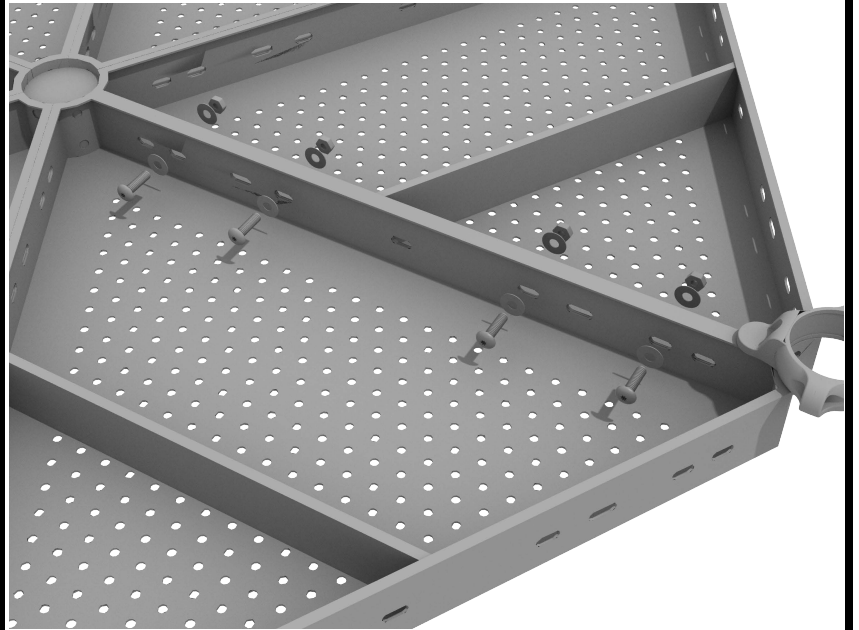
Deck clamps are pre-attached to the posts and should not be altered in any way.



Half Hex Deck Connect to Half Hex Deck

STEP: 1

When installing decks that are adjacent to one another at the same height, they should be bolted together. On the underside of the deck, install using four (4) M10*25 Bolts, eight (8) M10 Washers, and four (4) M10 Lock Nuts. Repeat this process for every set of adjacent decks.



Right Triangle Deck Installation

STEP: 1

After the posts are in place, using three (3) M10*35 bolts, six (6) M10 washers, and three (3) M10 lock nuts, attach the triangle deck to each pre-attached deck clamp as shown in the image.

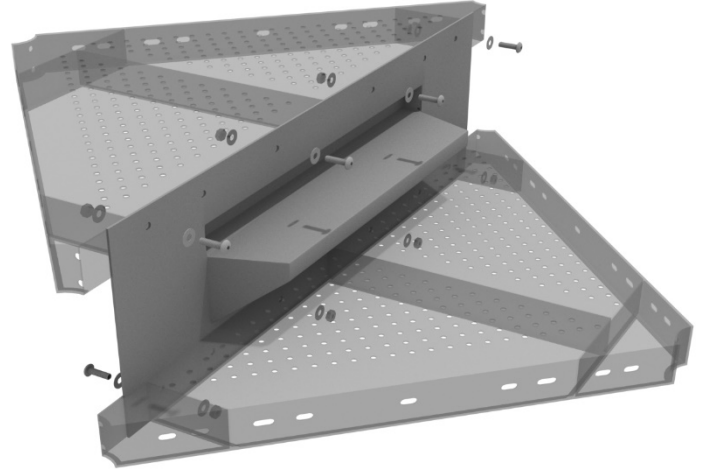
Deck clamps are pre-attached to the posts and should not be altered in any way.



Kickplate for Right Triangle Deck Install

STEP: 1

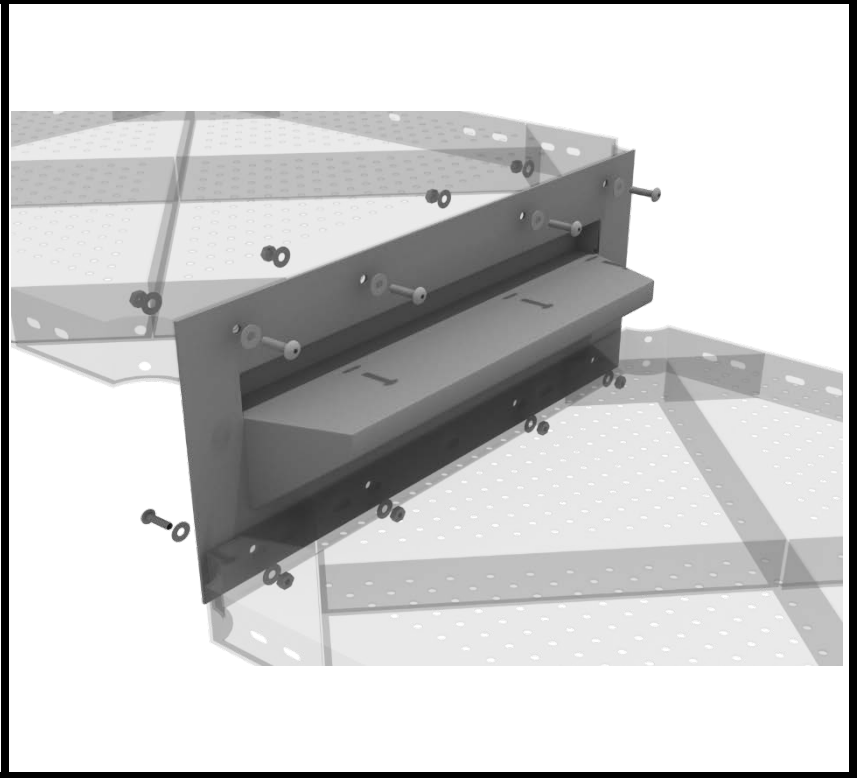
Using eight (8) M10*25 bolts, sixteen (16) M10 washers, and eight (8) M10 lock nuts, attach the kickplate to the proper decks.



Kickplate Install

STEP: 1

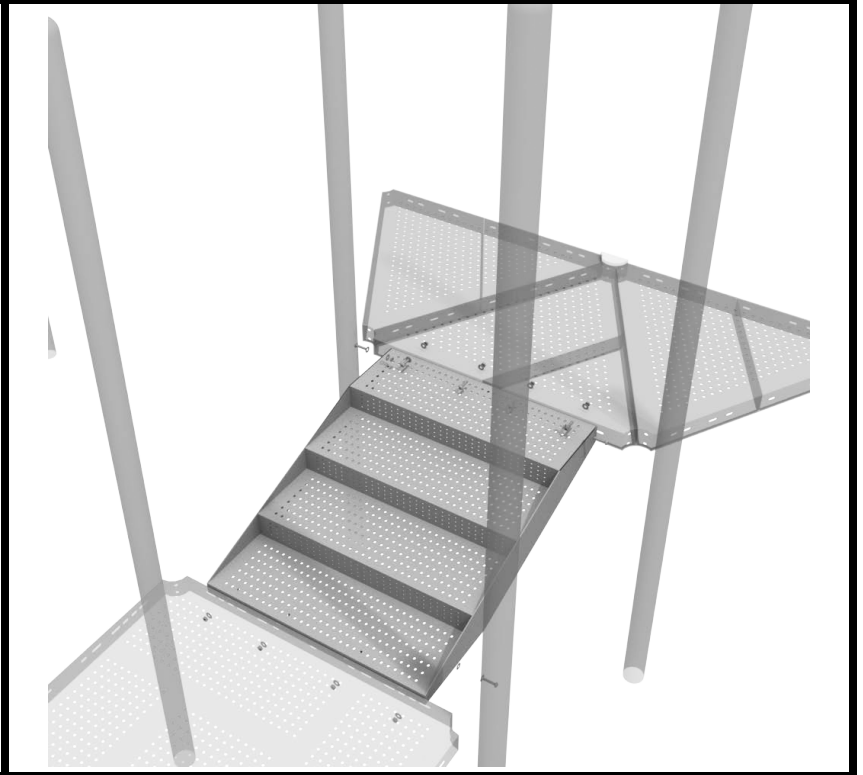
Using eight (8) M10*25 bolts, sixteen (16) M10 washers, and eight (8) M10 lock nuts, attach the kickplate to the proper decks.



4.5-inch 1-Foot Middle Stair Install

STEP: 1

Using eight (8) M10*25 bolts, sixteen (16) M10 washers, and eight (8) M10 lock nuts, connect the 12-inch middle stair from the proper square deck to the proper hex deck.



STEP: 2

Connect half of each 4.5-inch tube clamp to the 12-inch middle handrail using one (1) M8*35 bolt. Set the handrail into place, then attach the second half of the clamp using the hardware provided in the clamp bag.

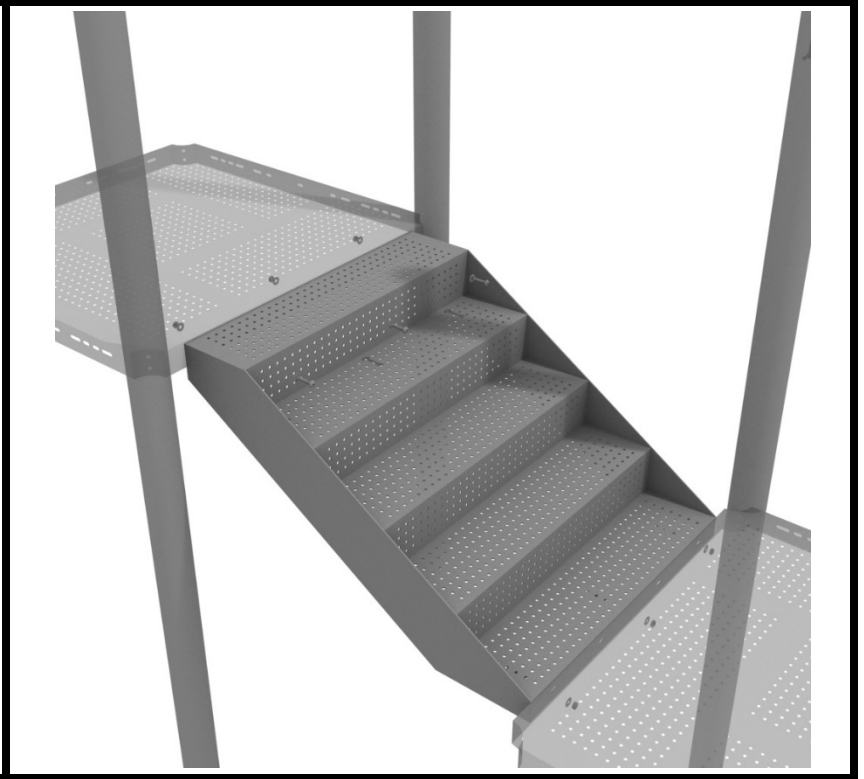
Repeat this process for the other handrail. Then, using two (2) M10*25 bolts, four (4) M10 washers, and two (2) M10 lock nuts, attach the bottom of the 12-inch handrail to the side of the 12-inch stair.



4.5-Inch 2-foot Middle Stair Installation

STEP: 1

Using six (6) M10*25 bolts, twelve (12) M10 washers, and six (6) M10 lock nuts, attach the 2-foot connection stair to the assigned decks.



STEP: 2

Then, once the stair is in place, attach the 2-foot connection handrail to the posts using four (4) 4.5-inch offset clamps, and four (4) M8*30 bolts. Then, attach the bottom of the handrails to the stairs using one (1) M10*25 bolt, two (2) M10 washers, and one (1) M10 lock nut for each attachment point.



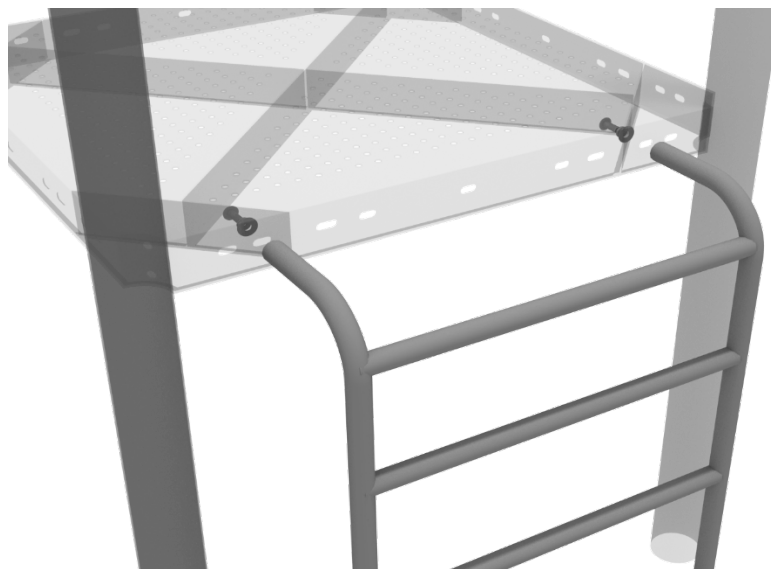
1 Playground Drive
Greenfield, IN 46140
1-800-667-0097

Created By: Kelly D.
Date: 11/24/2020

6-foot Vertical Ladder Installation

STEP: 1

See general installation guide regarding footing information for the 6-foot Vertical Ladder. Attach the ladder to the deck using two (2) M10*25 bolts, two (2) M10 spring washers, and two (2) M10 washers.



Get Physical Series – Curved Tilted Pebble Bridge with Arch Post Install

STEP: 1

Connect the Curved Tilted Pebble Bridge top rail to the appropriate posts via the Standard Attachment Point.

Refer to the Standard Attachment Point install section for more detailed information.



STEP: 2

Dig suitable footings for each of the pebble steps. Please refer to the footing section for climbers in the General Installation Instructions document.



STEP: 3

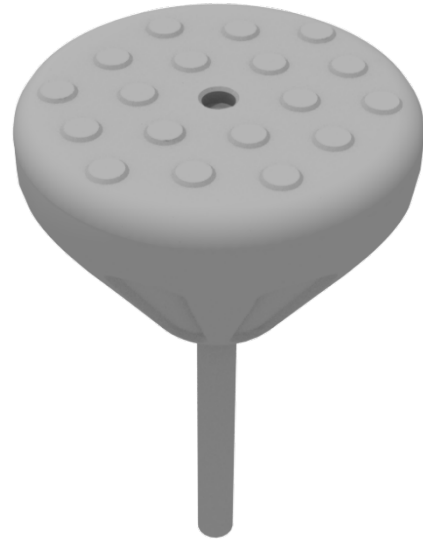
Each of the pebble steps will attach to the top rail using one (1) M10*55 bolt, two (2) M10 washers, and one (1) M10 lock nut.



Pebble Climber Installation

STEP: 1

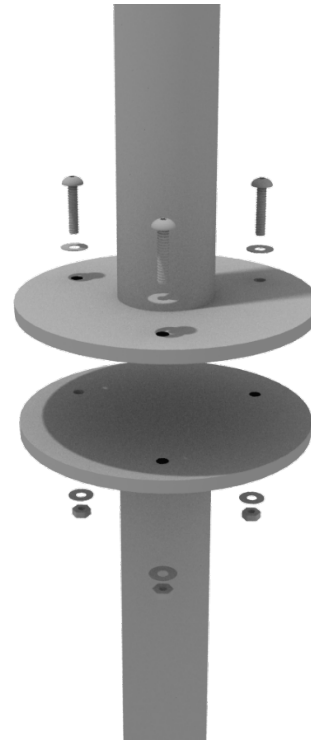
See general installation guide regarding footing information. Pebble climber requires a 12" x 18" footing.



Pod Climber Installation

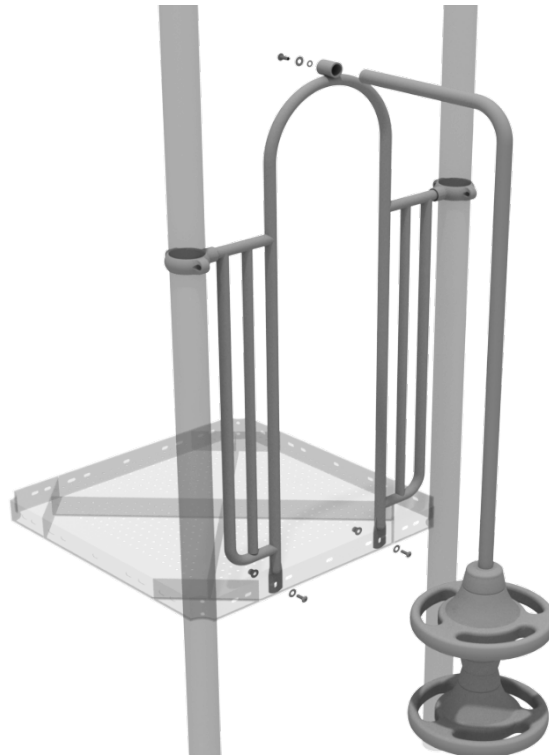
STEP: 1

See general installation guide regarding footing information for the pod climber. Attach the circle end mount to the bottom of the climber using the pre-attached hardware. Each attachment uses three (3) M10*20 bolts, three (3) M10 spring gaskets, and one (3) M10 large gaskets.



STEP: 2

Attach the top of the climber to the designated arch rail top bracket using one (1) M10*20 bolt, one (1) M10 spring washer, and one (1) M10 washer.



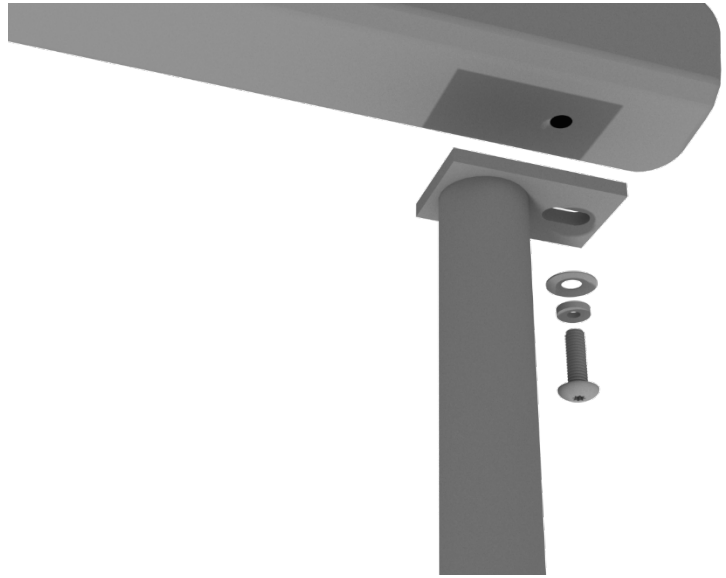
1 Playground Drive
Greenfield, IN 46140
1-800-667-0097

Created By: Aaron Price
Date: 03/21/2018

Sea Creature Climber Installation

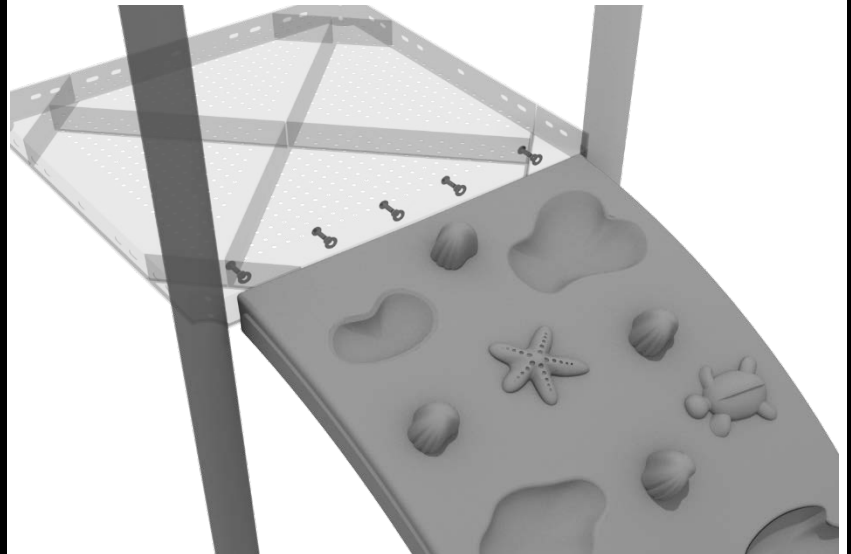
STEP: 1

See general installation guide regarding footing information for the Sea Creature climber. Using two (2) M10*20 bolts, two (2) M10 spring gaskets, and two (2) M10 washers, attach the bottom of the Sea Creature climber to the climber support posts.



STEP: 2

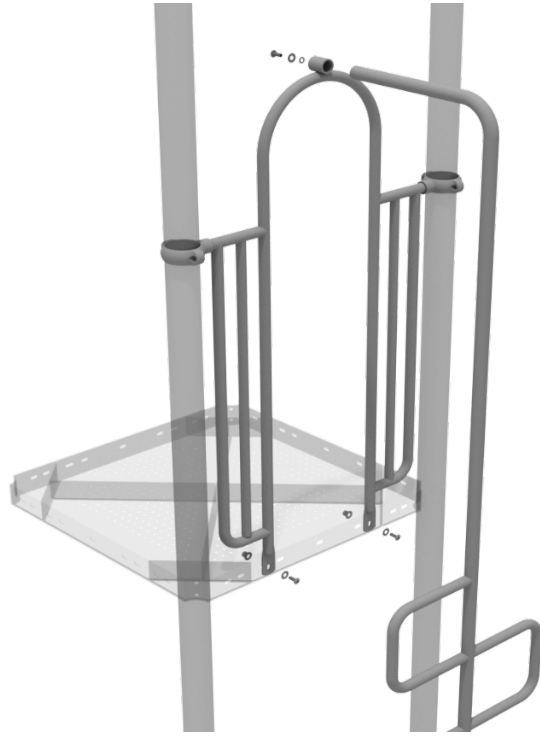
Then using five (5) M10*20 bolts, five (5) M10 spring gaskets, and five (5) M10 washers, attach the top of the Sea Creature climber to the deck.



Snake Climber Installation

STEP: 1

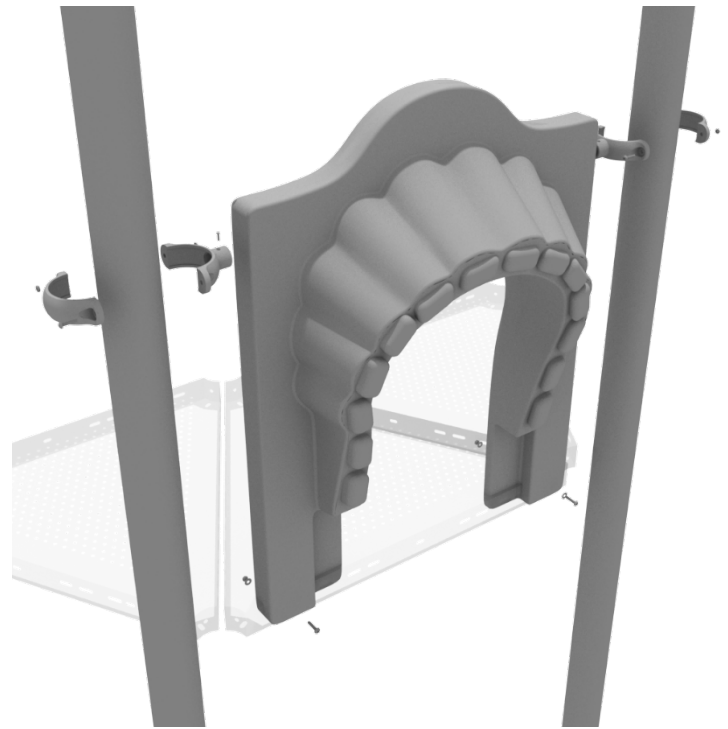
See general installation guide regarding footing information for the snake climber. Attach the top of the climber to the designated arch rail top bracket using one (1) M10*20 bolt, one (1) M10 spring washer, and one (1) M10 washer.



4-foot Single Wave Slide Installation

STEP: 1

To attach the single slide hood to a deck, take two clamps and attach them to the posts using two (2) M4*25 self-tapping screws. Then, attach the hood to the deck using two (2) M10*50 bolts, four (4) M10 washers, and two (2) M10 lock nuts. Repeat this process for every single slide hood.



STEP: 2

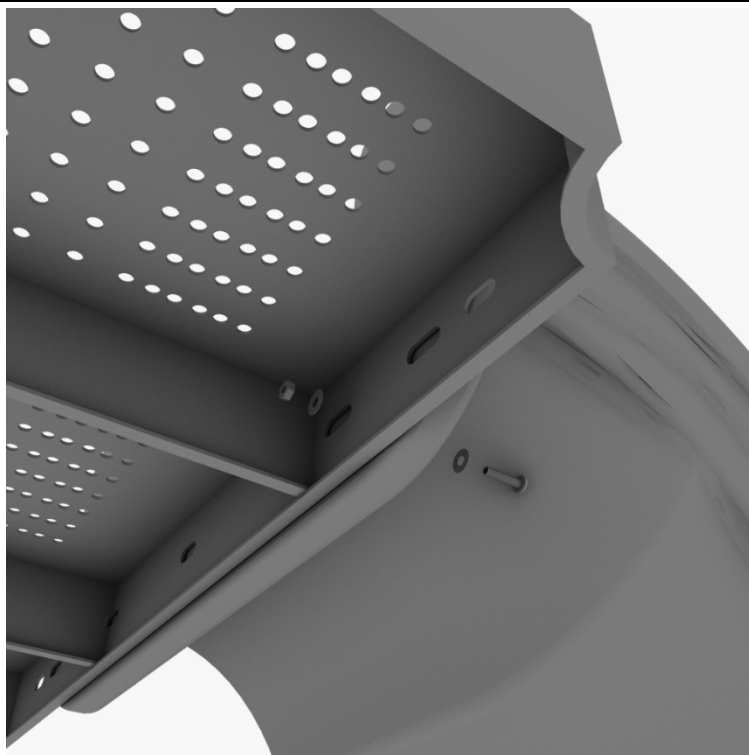
See general installation guide regarding footing information for the slide end mount. Using two (2) M8*20, two (M8) spring gaskets. And two (2) M8 washers, attach the slide to the slide support post.



4-foot Single Wave Slide Installation

STEP: 3

Using one (1) M10*45 bolt, two (2) M10 washers, and two (2) M10 lock nuts, attach one side of the slide to the deck.



STEP: 4

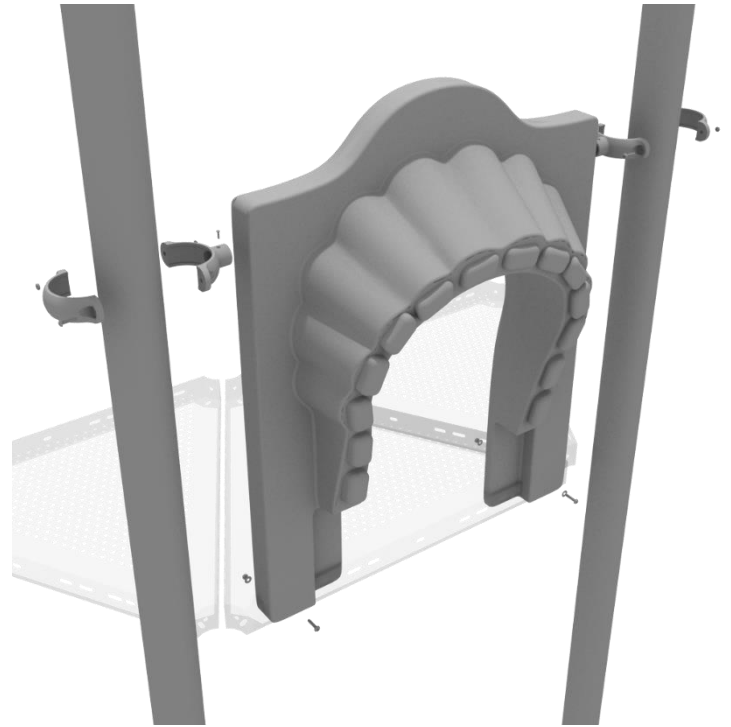
Using one (1) M8*45 bolt, one (1) M8 washer, one (1) M12 washer, and one (1) M12 inner hex spiral nut, attach the slide to one side of the slide hood. Repeat this process for the other side of the slide.



6-foot Single Wave Slide Installation

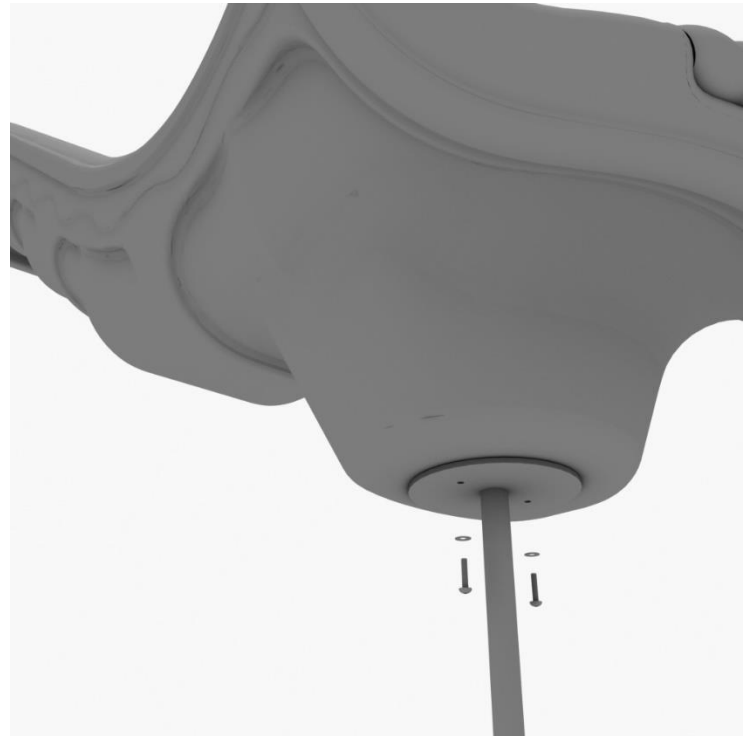
STEP: 1

To attach the single slide hood to a deck, take two clamps and attach them to the posts using two (2) M4*25 self-tapping screws. Then, attach the hood to the deck using two (2) M10*50 bolts, four (4) M10 washers, and two (2) M10 lock nuts. Repeat this process for every single slide hood.



STEP: 2

See general installation guide regarding footing information for the slide end mount. Using two (2) M8*20, two (M8) spring washers. And two (2) M8 washers, attach the slide to the slide support post.



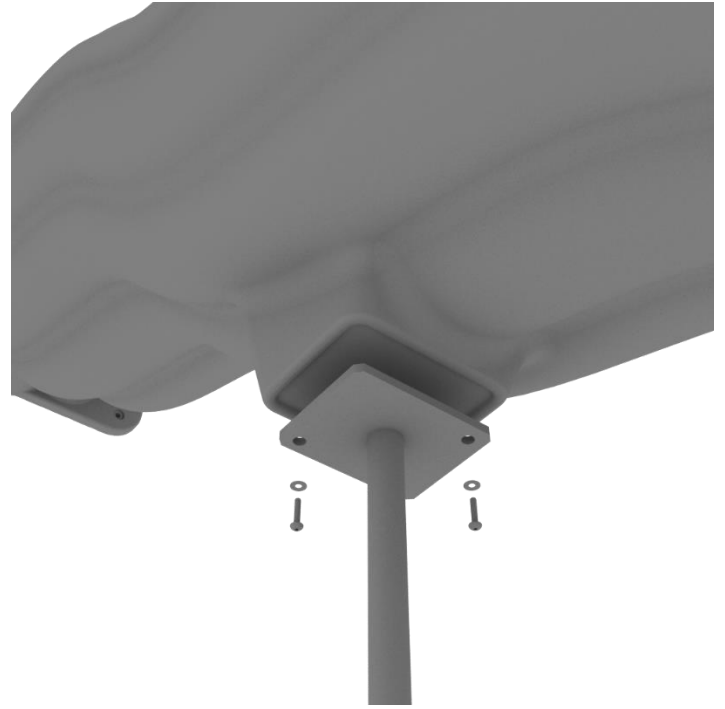
1 Playground Drive
Greenfield, IN 46140
1-800-667-0097

Created By: Aaron Price
Date: 03/19/2018

6-foot Single Wave Slide Installation

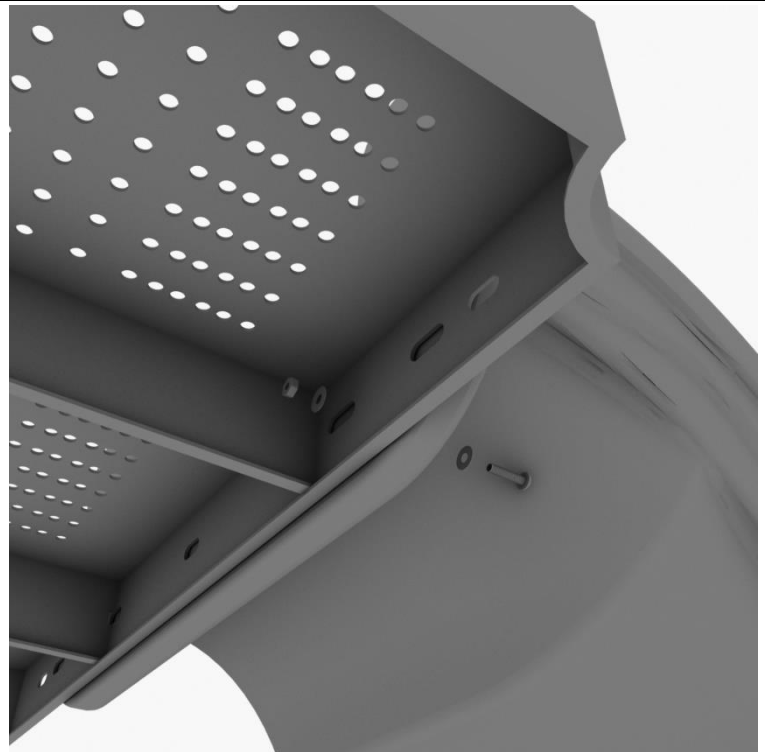
STEP: 3

See general installation guide regarding footing information for the middle slide support. Using two (2) M8*20 bolts, two (2) M8 spring washers, and two (2) M8 washers, attach the middle slide support post. Repeat the process for each middle slide mount.



STEP: 4

To attach a single slide to a deck, use two (2) M10*45 bolts, four (4) M10 washers, and two (2) M10 lock nuts. Repeat this process for the other side of the slide. Repeat this process for each single slide.



6-foot Single Wave Slide Installation

STEP: 5

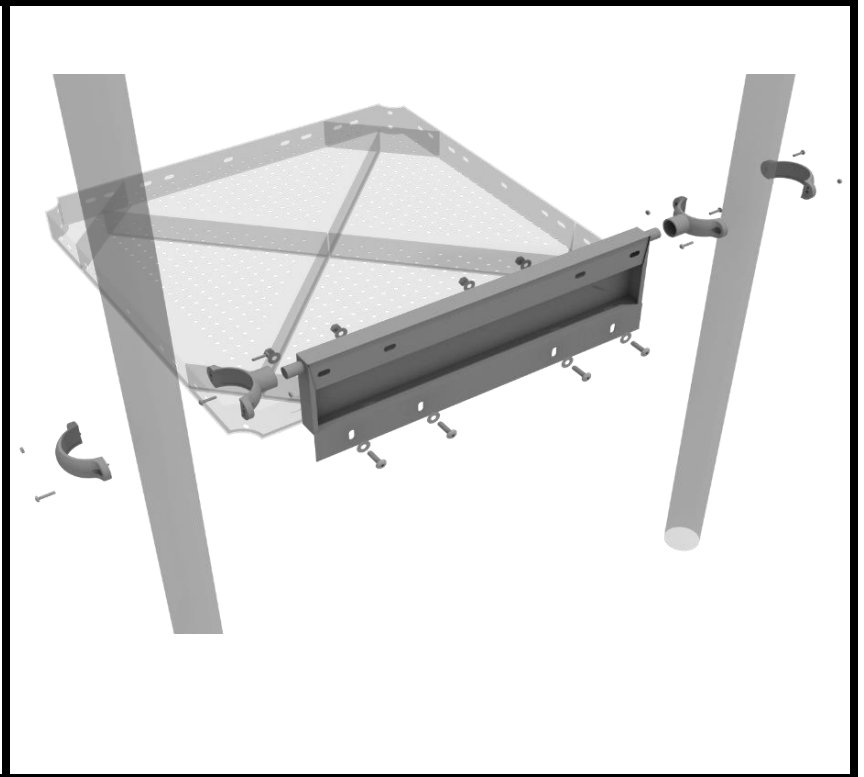
Using two (2) M8*45 bolts, two (2) M8 washer, two (2) M12 washers, and one (1) M12 inner hex spiral nut, attach the slide to the slide hood. Repeat this process for the other side of the slide.



Spiral Slide Installation

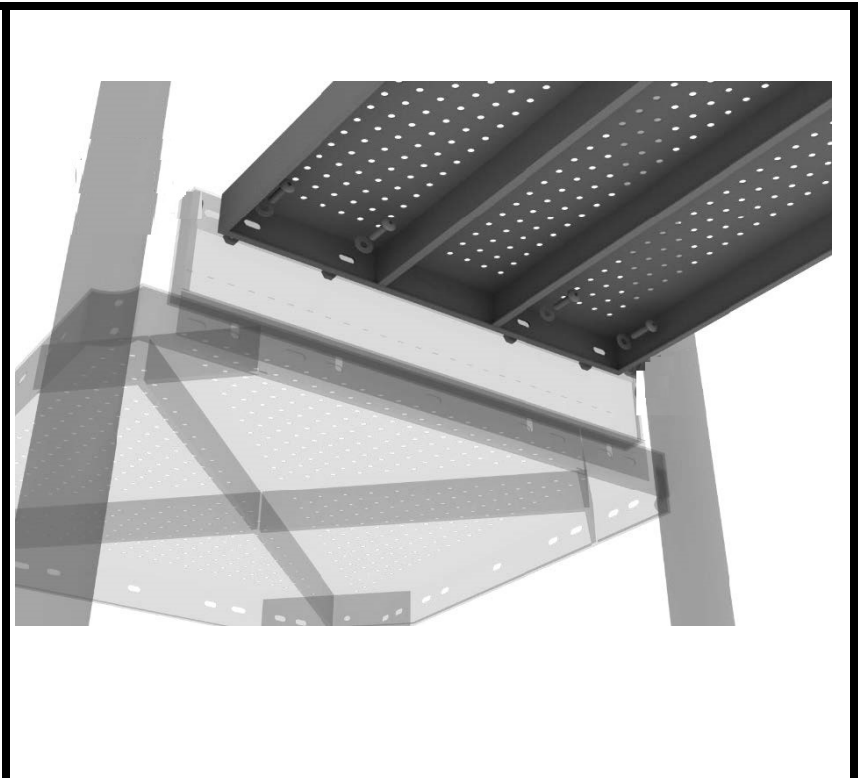
STEP: 1

Attach the spiral slide kick plate to the proper square deck using four (4) M10*25 bolts, eight (8) M10 washers, four (4) M10 lock nuts.



STEP: 2

Attach the spiral slide deck to the top of the spiral slide kick plate using four (4) M10*25 bolts, eight (8) M10 washers, and four (4) M10 lock nuts.



1 Playground Drive
Greenfield, IN 46140
1-800-667-0097

Created By: Derick H
Date: 01/05/2020

Spiral Slide Installation

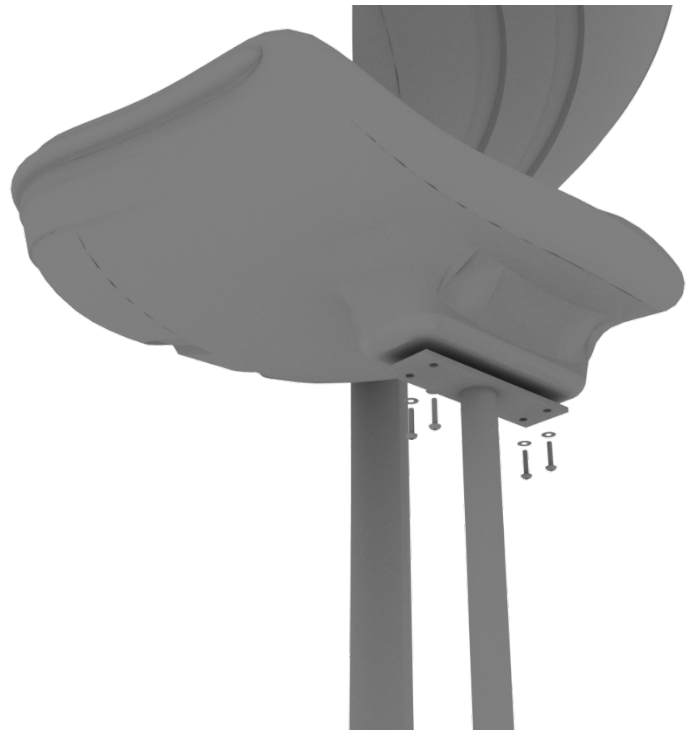
STEP: 3

Attach the Spiral Slide Deck Support Post to the Spiral Slide Deck using two (2) M10*25 Bolts, four (4) M10 Washers, and two (2) M10 Lock Nuts.



STEP: 4

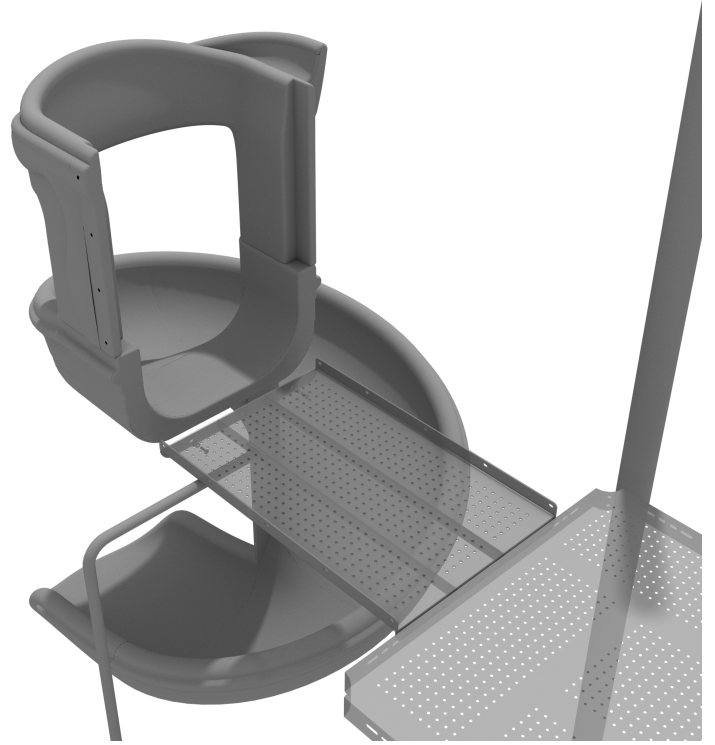
Connect the Spiral Slide Mount to the bottom of the Spiral Slide using four (4) M10*20 Bolts, four (4) M10 Spring Gaskets, and four (4) M10 Washers. Refer to the General Installation Guide for information on slide footings.



Spiral Slide Installation

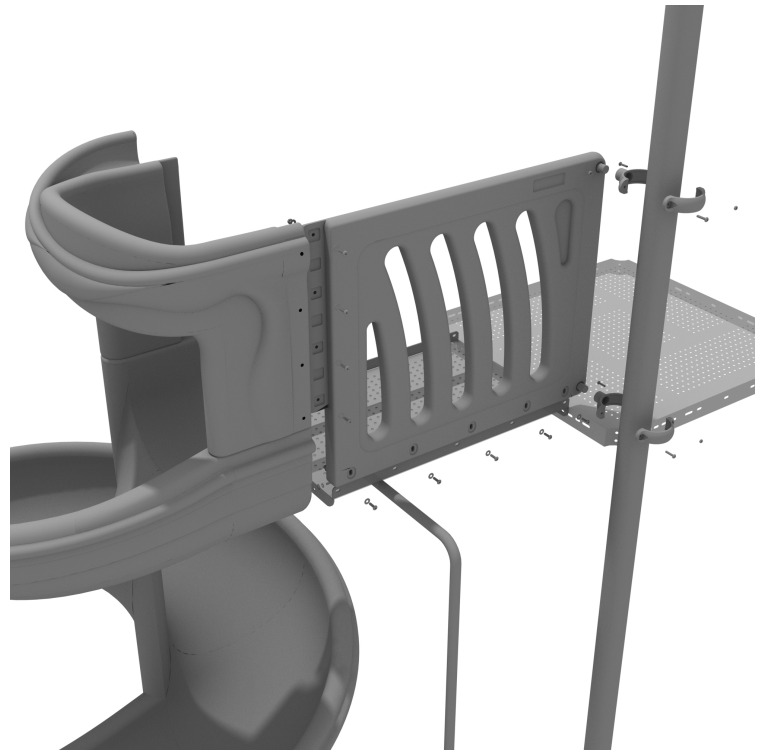
STEP: 5

See general installation guide regarding footing information for slides and support posts. Connect the Spiral Slide to the Spiral Slide Deck using three (3) M10*20 Bolts, three (3) M10 Spring Gaskets, and three (3) M10 Washers.



STEP: 6

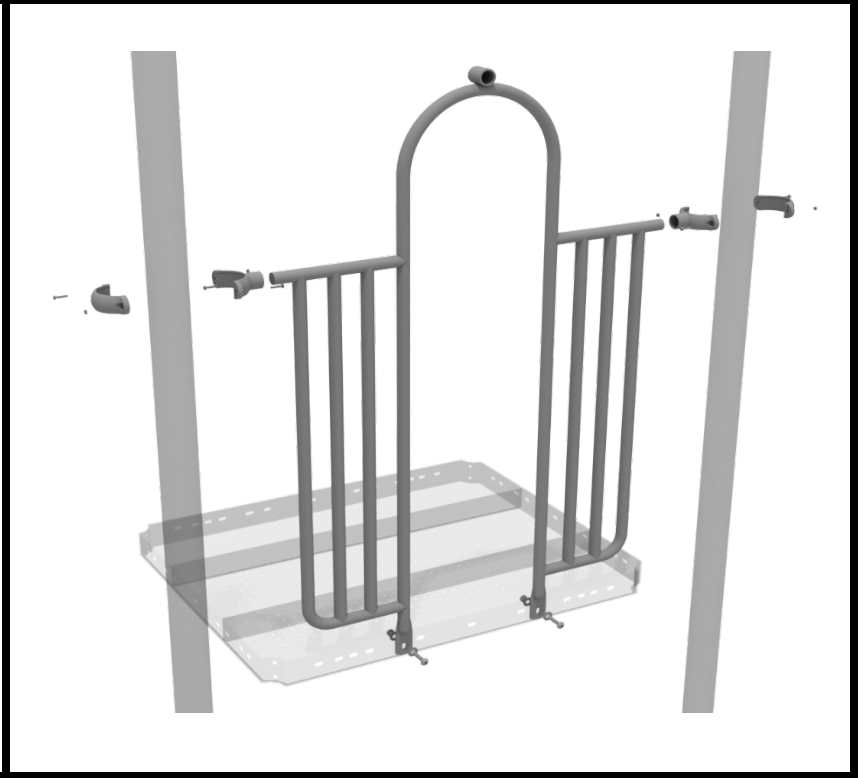
Attach the Spiral Slide Handrail to the Spiral Slide Deck using five (5) M8*60 Bolts, five (5) M8 Washers, five (5) M12 Washers, and five (5) M12 Inner Hex Nuts. Connect spiral slide panels to slide using four (4) M10*50 bolts, four (4) M10 washers, four (4) M10 lock nuts for each panel. Connect the handrails to the posts using two (2) tube clamps. Repeat this process for the other handrail.



4.5-inch 2-Clamp Arch Rail Installation

STEP: 1

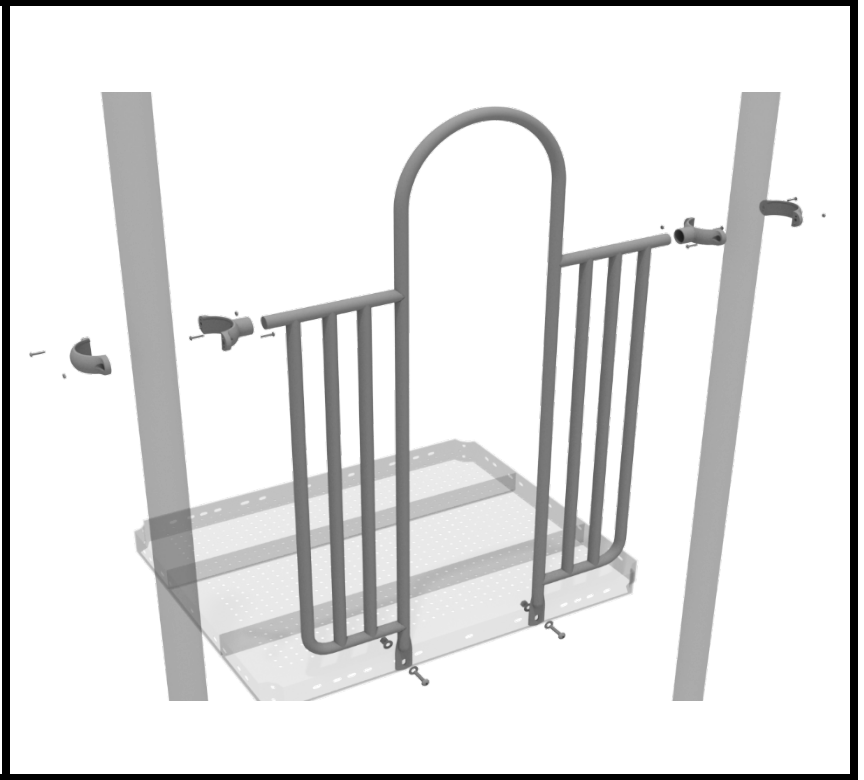
Attach the Arch Rail to the designated posts by connect half of the tube clamp to the arch rail using one (1) M8*30 bolt. Repeat this process for each post attachment point. Then, attach the rail to the deck using two (2) M10*25 bolts, four (4) M10 washers, and two (2) M10 lock nuts. Finally, attach the second half of the clamp around the post.



4.5-inch 2-Clamp Arch Rail Installation

STEP: 1

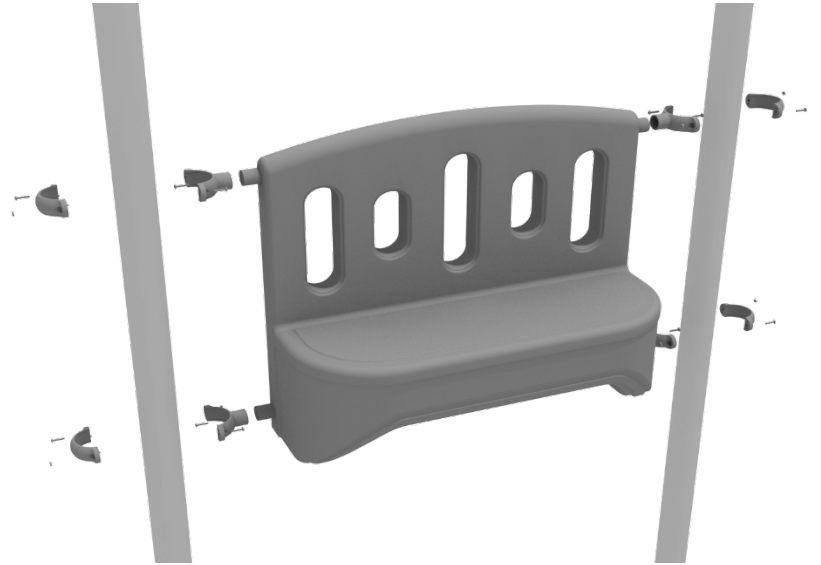
Attach each two-clamp arch rail to the designated deck by using two (2) tube clamps, and two (2) M4*25 self-tapping screws to attach the top of the panel to the posts. Then use two (2) M10*25 bolts, four (4) M10 washers, and two (2) M10 lock nuts to attach the panel to the deck.



4.5-inch Bench Installation

STEP: 1

Connect the bench panel to the designated post using four (4) 4.5-inch tube clamps.



4.5-inch Metal Barrier Installation

STEP: 1

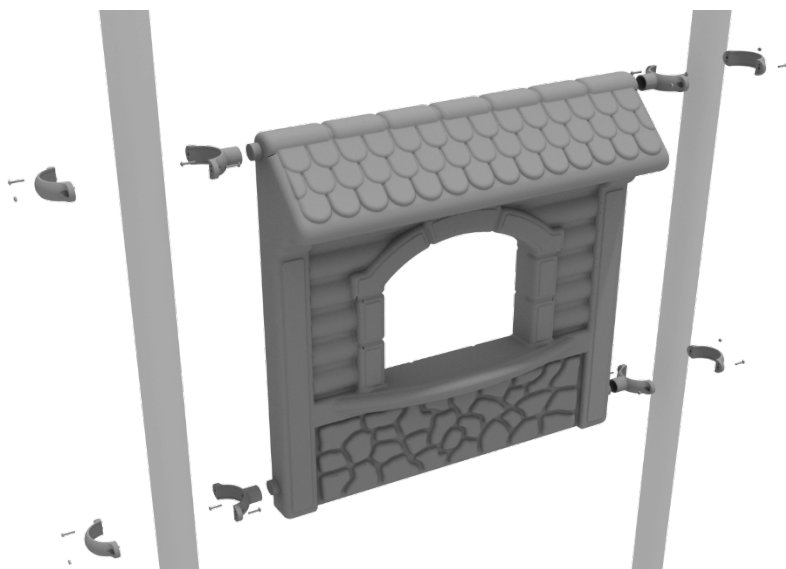
Attach two tube clamps to the metal barrier using two (2) M4*25 self-tapping screws and attach those clamps to the proper support posts. Then, attach the bottom of the metal barrier to the deck using two (2) M10*25 bolts, four (4) M10 washers, and two (2) M10 lock nuts.



4.5-inch Store Panel Installation

STEP: 1

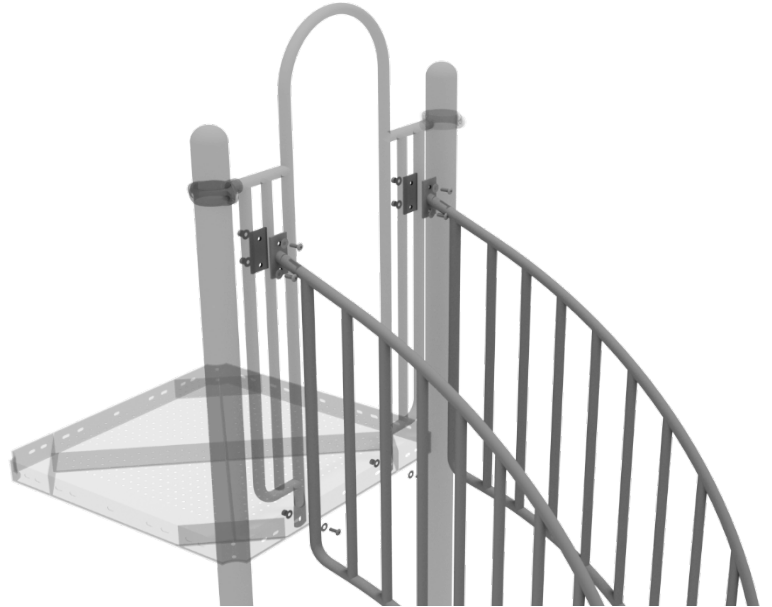
Connect the store panel to the designated post using four (4) 4.5-inch tube clamps.



Pebble Step Handrail Installation

STEP: 1

See general installation guide regarding footing information for the pebble step handrail. Attach the climber to the arch rail brackets using four (4) M10*25 bolts, four (4) M10 washers, and four (4) M10 washers.



1 Playground Drive
Greenfield, IN 46140
1-800-667-0097

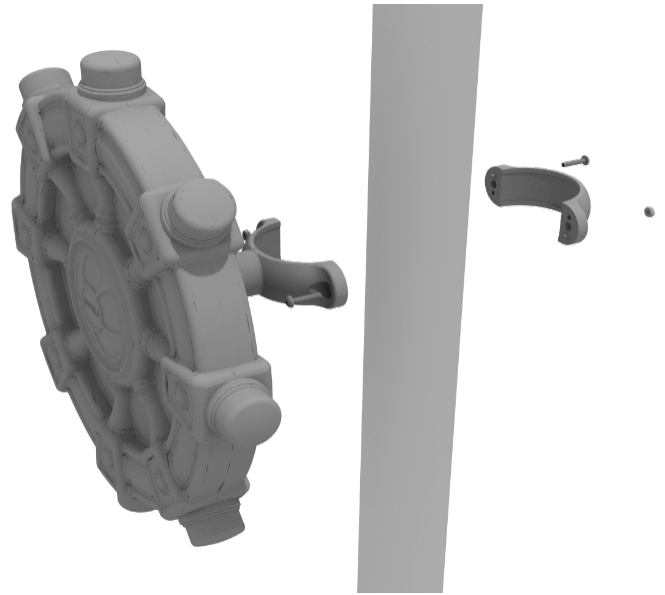
Created By: Aaron Price
Date: 05/07/2018

Ships Wheel Installation

Detach half of the tube clamp connected to the Ships Wheel, and re-attach the clamp around the support post, as shown in the picture. Recommended install height is 20 to 36 inches above surfacing depending on age range.

We recommend using Thread-locking fluid on bolts connecting Ship's wheel to clamp to prevent hardware from loosening over time.

(Thread-locker not supplied)

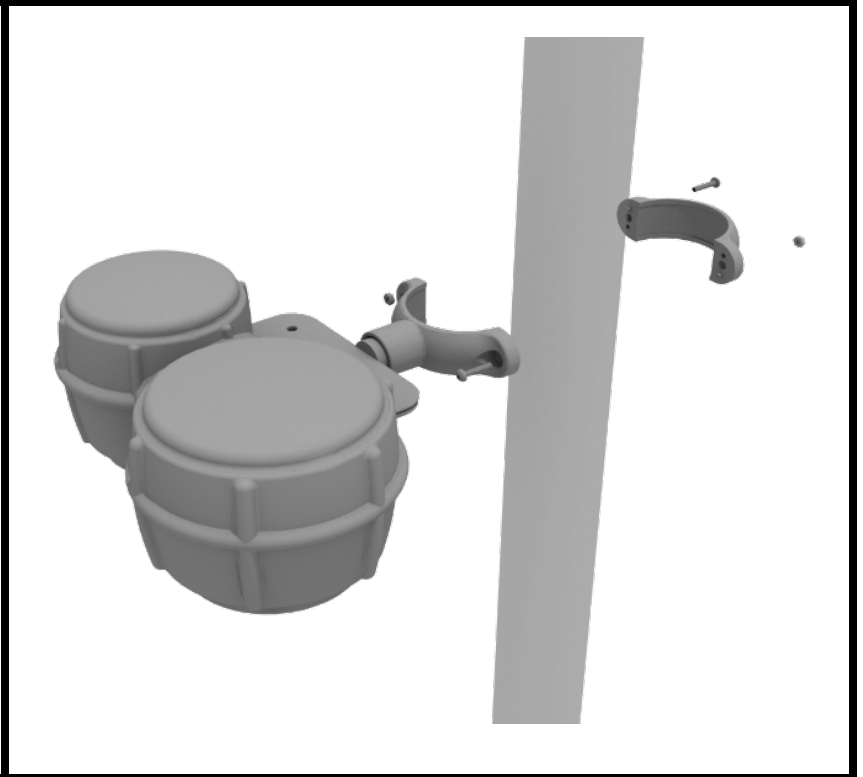


Bongos Installation

Detach half of the tube clamp connected to the Bongos, and re-attach the clamp around the support post, as shown in the image. Recommended install height is 20 to 36 inches above surfacing depending on age range.

We recommend using Thread-locking fluid on bolts connecting Bongos to clamp to prevent hardware from loosening over time.

(Thread-locker not supplied)



Square Roof Install

STEP: 1

To attach a square roof, bolt the plastic post caps to the bottom of the roof using four (4) M8*20 bolts, and eight (8) M8 washers. Then place the roof on top of the posts and screw the caps onto the post using twelve (12) M3*16 self-tapping screws.



Hex Roof Install

STEP: 1

To attach a hex roof, bolt the plastic post caps to the bottom of the roof using six (6) M8*20 bolts, and six (6) M8 washers. Then place the roof on top of the posts and screw the caps onto the post using eighteen (18) M3*16 self-tapping screws.

