

STEP: 1

**DO NOT CEMENT POSTS INTO PLACE
UNTIL THE ENTIRE STRUCTURE IS
ASSEMBLED.**

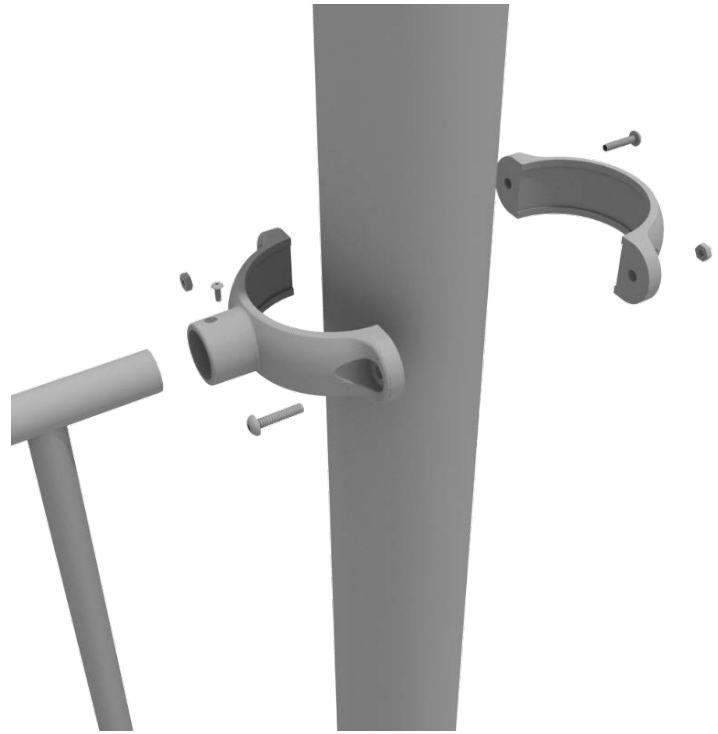
Refer to the General Installation
guide footing information and dig
proper holes for the support posts.



5.0-inch Clamp Installation Guide

5.0-inch Tube Clamp

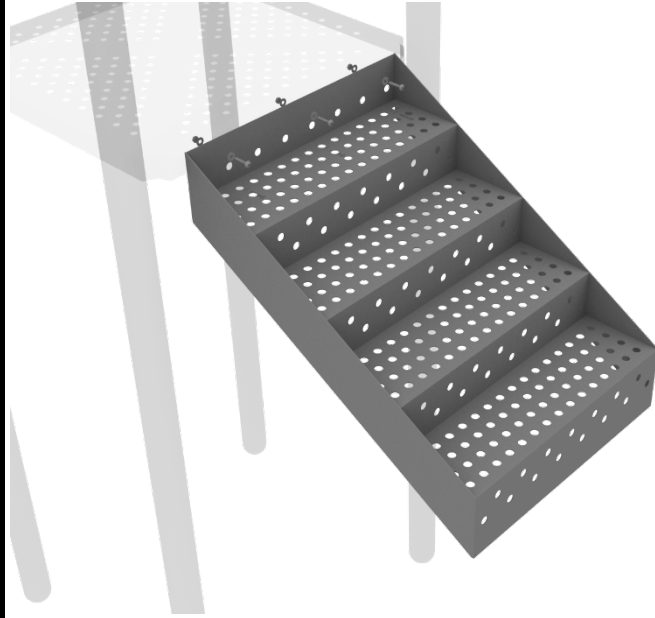
Insert Bar on Component into one half of the Tube Clamp and attach with M4*25 Set Screw. Then, using the other half of the tube clamp and the hardware provided in the clamp hardware bag, attach the other half of the tube clamp around the post.



5.0-inch 4-foot Transfer Station Install

STEP: 1

Using three (3) M10*25 Bolts, six (6) M10 Washers, and three (3) M10 Lock Nuts, attach the top of the stairs to the half hex deck.



STEP: 2

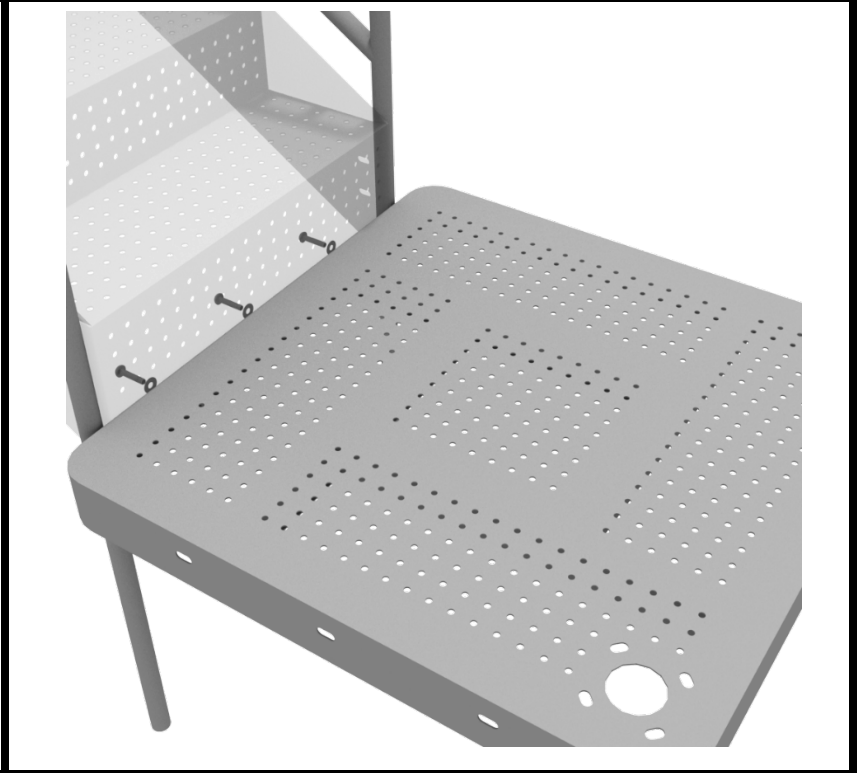
Attach the ADA Transfer Stair Handrails to the posts using Tube Clamps. Then using six (6) M10*25 Bolts, twelve (12) M10 Washers, and six (6) M10 Lock Nuts, attach the handrail to the bottom and side of the stairs.



5.0-inch 4-foot Transfer Station Install

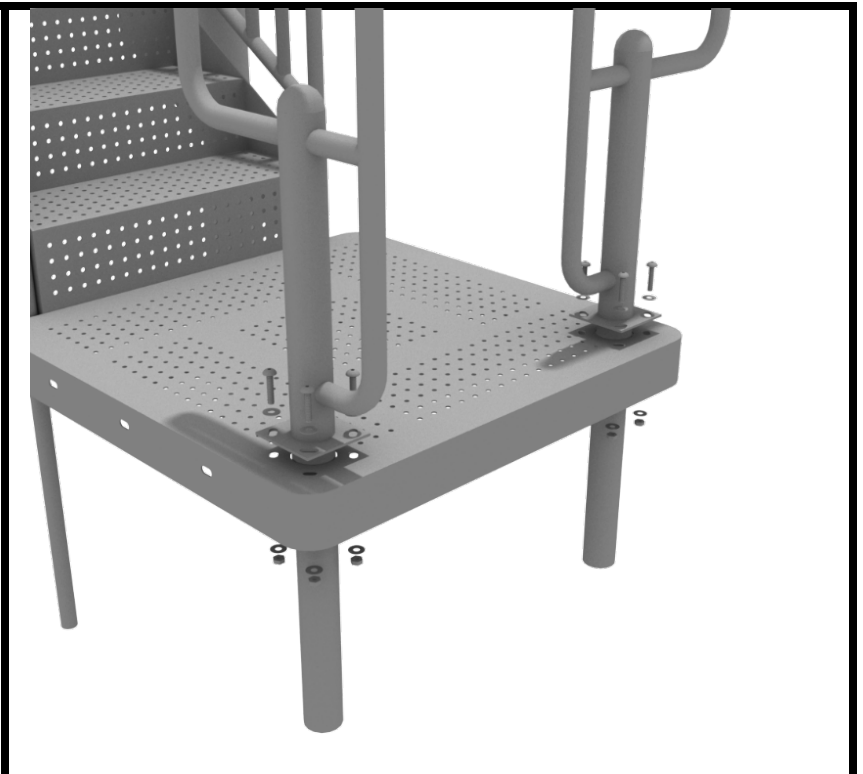
STEP: 3

Using three (3) M10*25 Bolts, six (6) M10 Washers, and three (3) M10 Lock Nuts, attach the ADA transfer deck to the base of the 4-foot ADA transfer stair.



STEP: 4

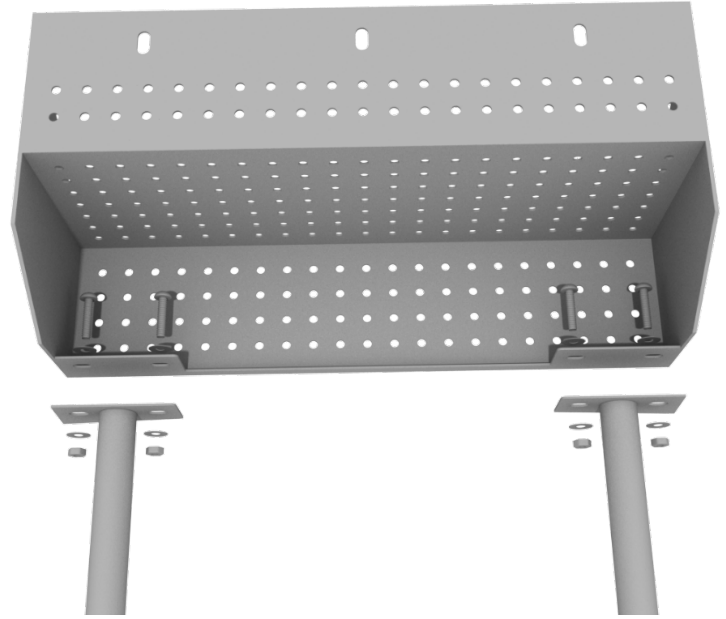
See general installation guide regarding footing information for the transfer deck handrail. Using four (4) M10*25 Bolts, eight (8) M10 Washers, and four (4) M10 Lock Nuts, attach each transfer deck handrail to the ADA transfer deck.



5.0-inch 4-foot Transfer Station Install

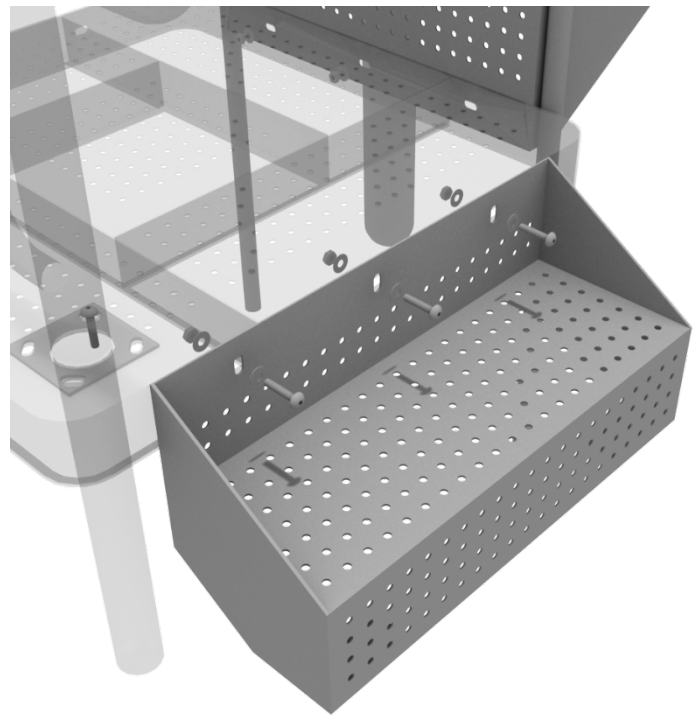
STEP: 5

See general installation guide regarding footing information for the ADA transfer step mount. Using two (2) M10*25 Bolts, four (4) M10 Washers, and two (2) M10 Lock Nuts, attach the transfer step to each ADA transfer step mounts.



STEP: 6

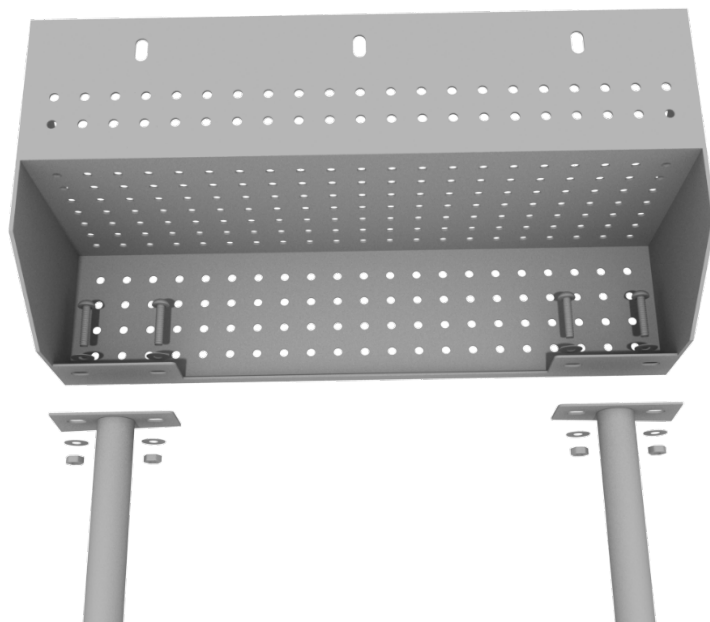
Using three (3) M10*25 Bolts, six (6) M10 Washers, and three (3) M10 Lock Nuts, attach the top of the ADA transfer step to the ADA transfer deck.



ADA Step Install

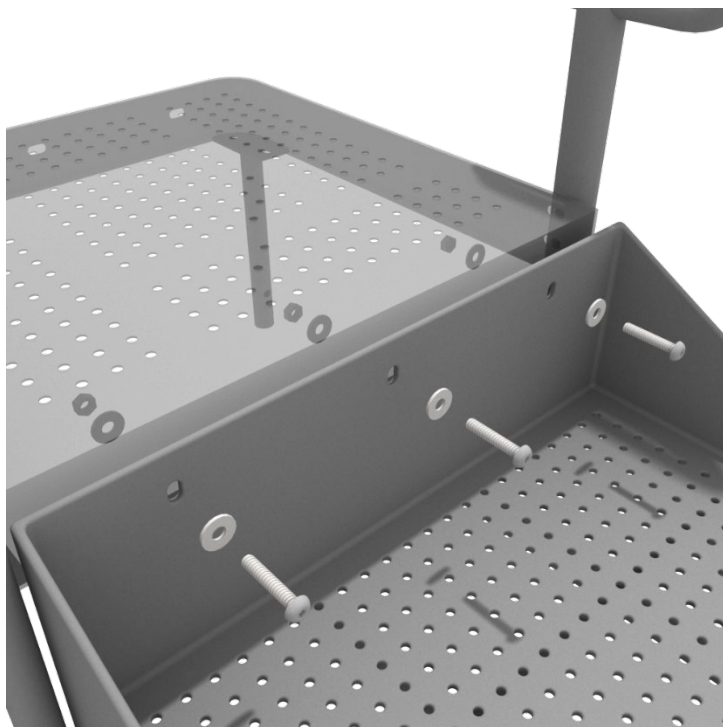
STEP: 1

See general installation guide regarding footing information for the ADA transfer step mount. Using two (2) M10 bolts, four (4) M10 washers, and two (2) M10 lock nuts, attach the transfer step to each ADA transfer step mount.



STEP: 2

Using three (3) M10*25 bolts, six (6) M10 washers, and three (3) M10 washers, attach the top of the ADA transfer step to the ADA transfer deck.



Square Deck Installation

STEP: 1

After the posts are in place, using four (4) M10*35 Bolts, eight (8) M10 Washers, and four (4) M10 Lock Nuts, attach each square deck to each pre-attached deck clamp as shown in the image.

Deck clamps are pre-attached to the posts and should not be altered in any way.



Triangle Deck Installation

STEP: 1

After the posts are in place, using three (3) M10*35 bolts, six (6) M10 washers, and three (3) M10 lock nuts, attach the triangle deck to each pre-attached deck clamp as shown in the image.

Deck clamps are pre-attached to the posts and should not be altered in any way.



Inclined Bones Bridge Install

STEP: 1

Using four (4) M10*30 bolts, eight (8) M10 washers, and four (4) M10 lock nuts, attach each bottom bones bridge to the proper decks.



STEP: 2

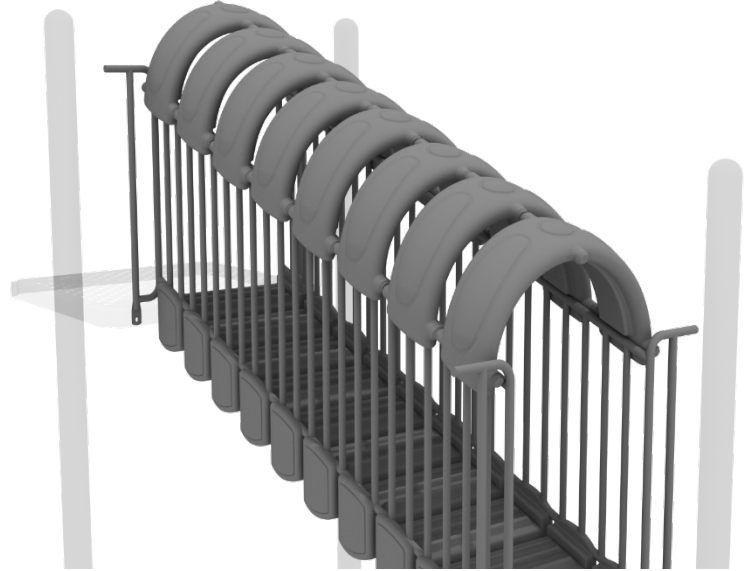
Once the bridge is attached, connect half of each 4.5-inch tube clamp to the bridge handrail using one (1) M4*25 self-tapping screw. Then, using two (2) M10*25 bolts, four (4) M10 washers, and two (2) M10 lock nuts, attach the bottom of the bridge handrails to the deck. Repeat these steps for the remaining bones bridges and bridge handrails.



Inclined Covered Bones Bridge Install

STEP: 3

Place the Incline Bones Bridge Roof onto the railings.



STEP: 4

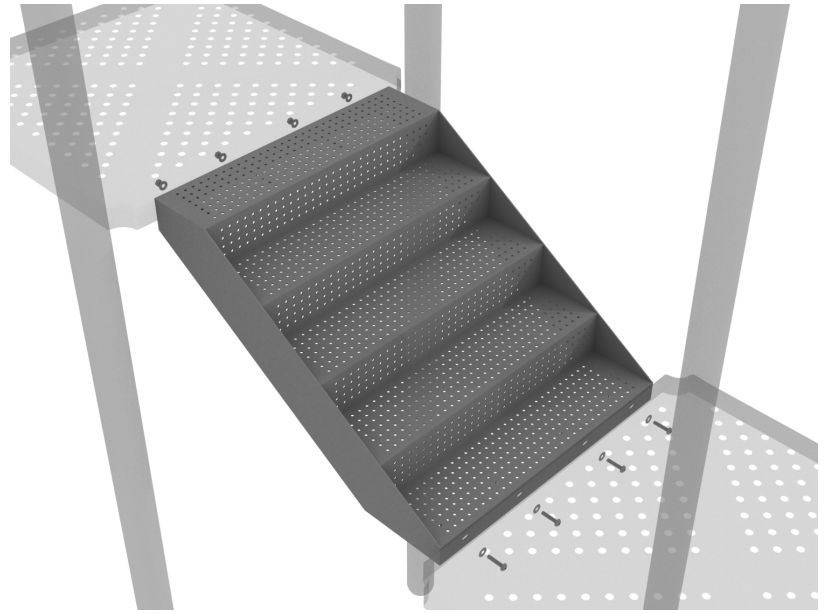
Using four (4) M4*25 set screws, attach the Incline Bones Bridge Roof to the railings.



5.0-inch 2-Foot Middle Stair Install

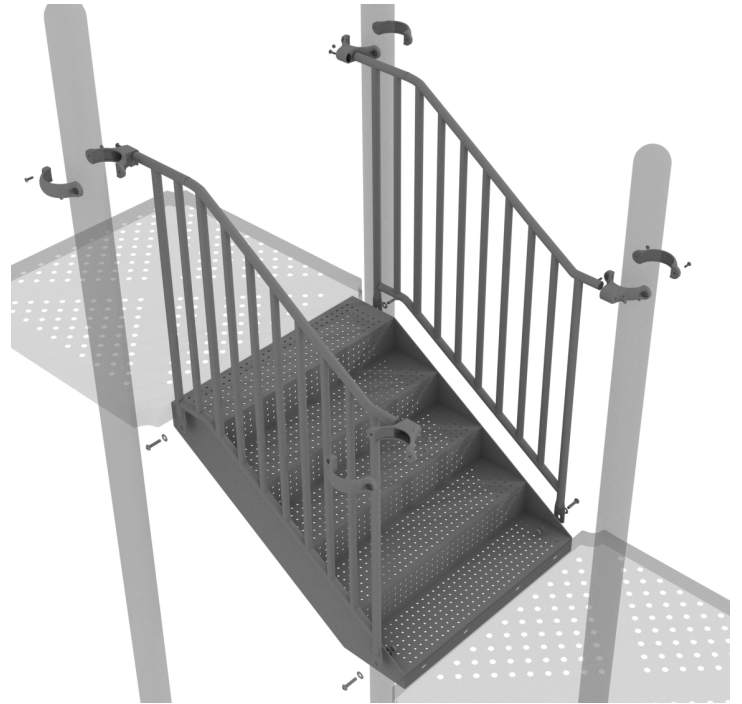
STEP: 1

Using eight (8) M10*25 Bolts, sixteen (16) M10 Washers, and eight (8) M10 Lock Nuts, connect the middle stair from one deck to the next.



STEP: 2

Connect half of each 5.0-inch tube clamp to the middle handrail using one (1) M8*35 Bolt. Set the handrail into place, then attach the second half of the clamp using the hardware provided in the clamp bag. Repeat this process for the other handrail. Then, using two (2) M10*25 Bolts, four (4) M10 Washers, and two (2) M10 Lock Nuts, attach the bottom of the handrail to the side of the stair.



Jungle Climber Installation

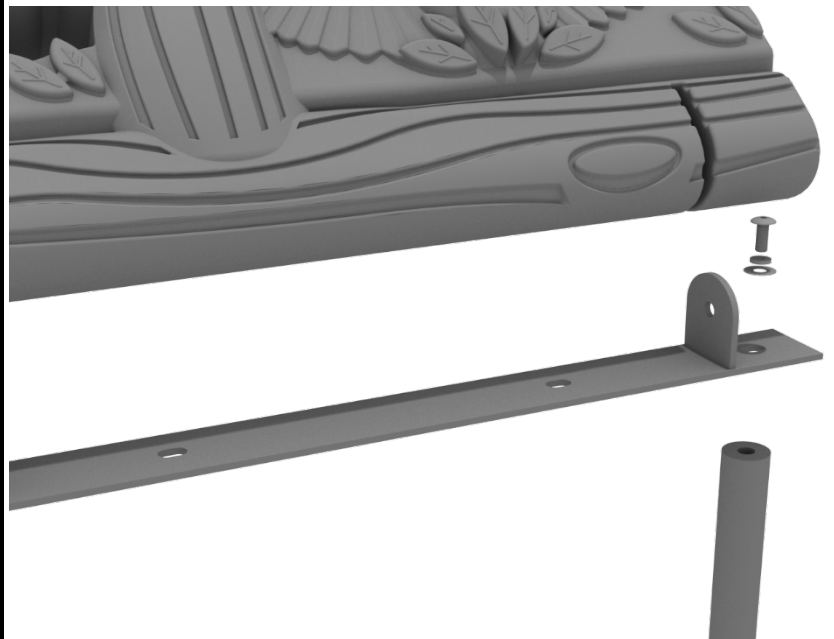
STEP: 1

First, detach the pre-attached bracket on the end of the climber that has four (4) Bolts attached, and attach it to the designated deck.



STEP: 2

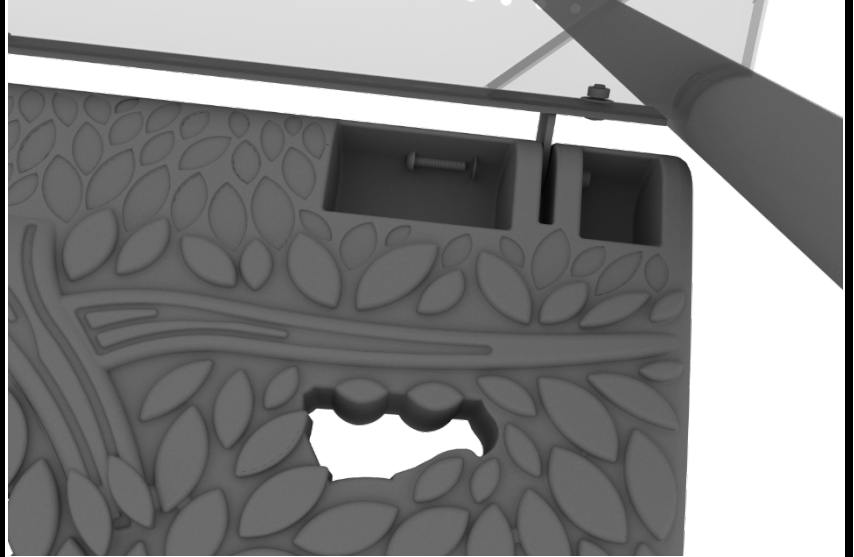
Then, attach the provided support mounts to the other side of the Jungle Climber using the pre-attached bolt. See general installation guide regarding footing information for the figure climber.



Jungle Climber Installation

STEP: 3

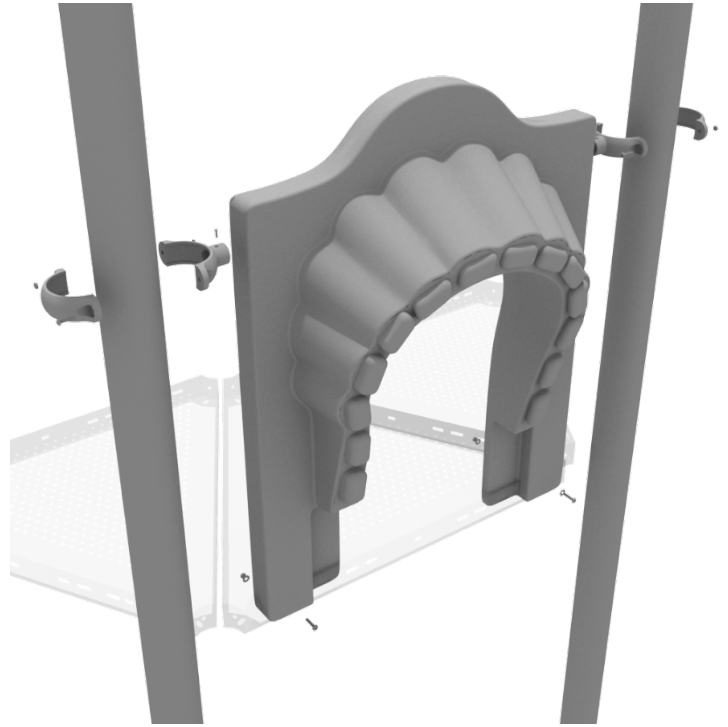
Finally, re-attach the climber back to the mounting plate using the original pre-attached hardware.



4-foot Single Straight Slide Installation

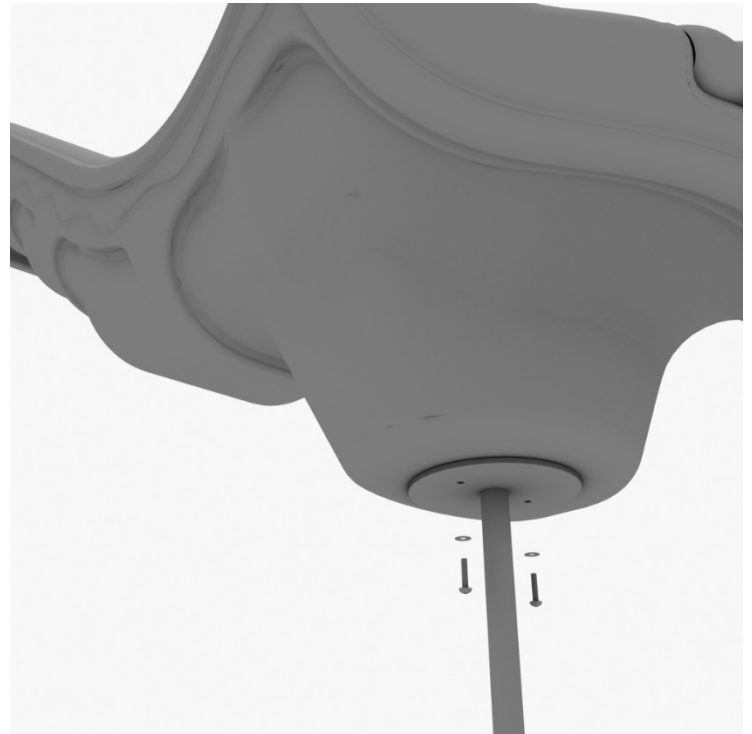
STEP: 1

To attach the single slide hood to a deck, take two clamps and attach them to the posts using two (2) M4*25 self-tapping screws. Then, attach the hood to the deck using two (2) M10*50 bolts, four (4) M10 washers, and two (2) M10 lock nuts. Repeat this process for every single slide hood.



STEP: 2

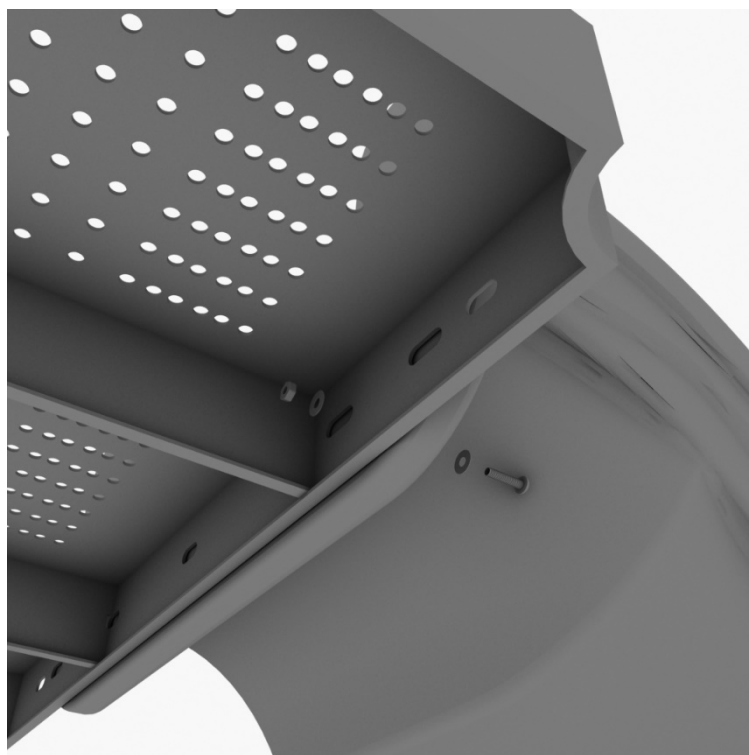
See general installation guide regarding footing information for the slide end mount. Using two (2) M8*20, two (M8) spring gaskets. And two (2) M8 washers, attach the slide to the slide support post.



4-foot Single Straight Slide Installation

STEP: 3

Using one (1) M10*45 bolt, two (2) M10 washers, and two (2) M10 lock nuts, attach one side of the slide to the deck.



STEP: 4

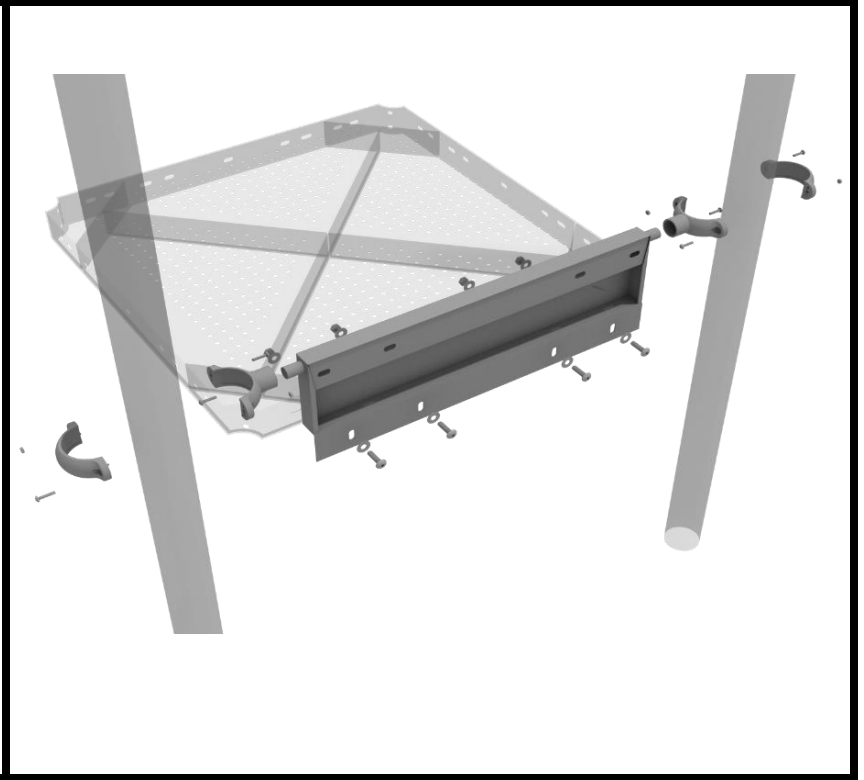
Using one (1) M8*45 bolt, one (1) M8 washer, one (1) M12 washer, and one (1) M12 inner hex spiral nut, attach the slide to one side of the slide hood. Repeat this process for the other side of the slide.



Spiral Slide Installation

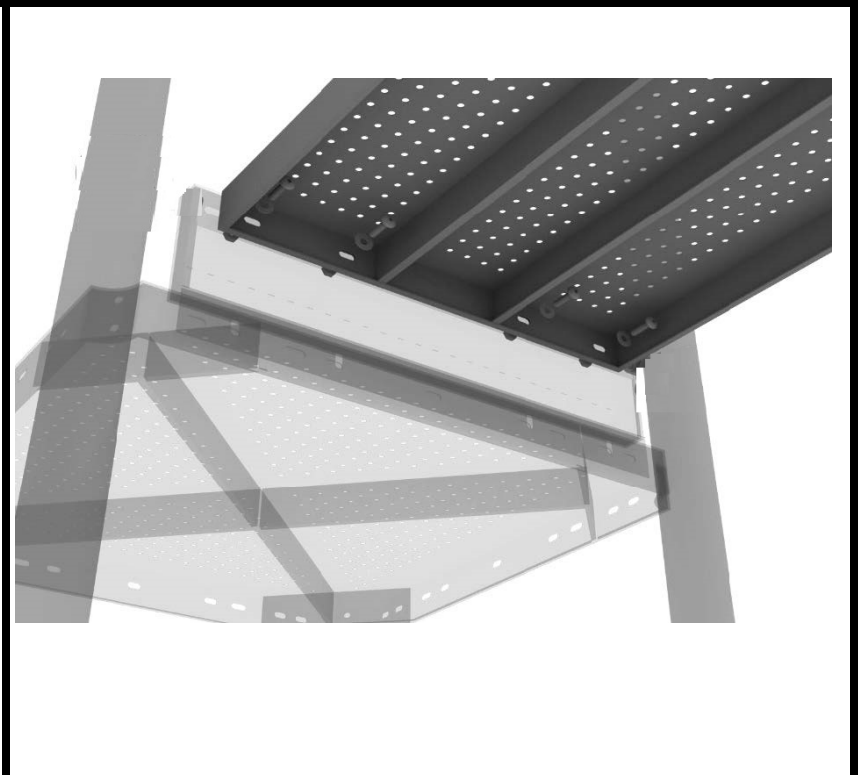
STEP: 1

Attach the spiral slide kick plate to the proper square deck using four (4) M10*25 bolts, eight (8) M10 washers, four (4) M10 lock nuts.



STEP: 2

Attach the spiral slide deck to the top of the spiral slide kick plate using four (4) M10*25 bolts, eight (8) M10 washers, and four (4) M10 lock nuts.



1 Playground Drive
Greenfield, IN 46140
1-800-667-0097

Created By: Derick H
Date: 01/05/2020

Spiral Slide Installation

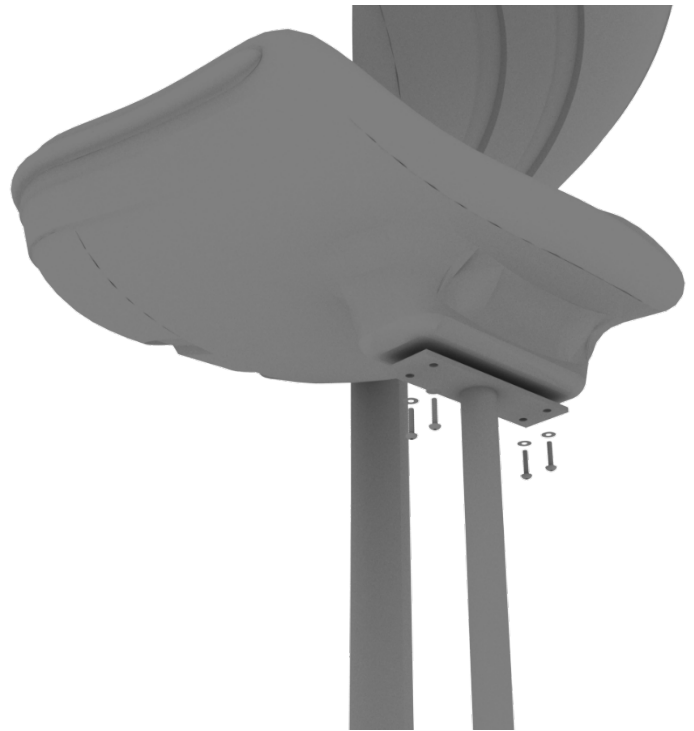
STEP: 3

Attach the Spiral Slide Deck Support Post to the Spiral Slide Deck using two (2) M10*25 Bolts, four (4) M10 Washers, and two (2) M10 Lock Nuts.



STEP: 4

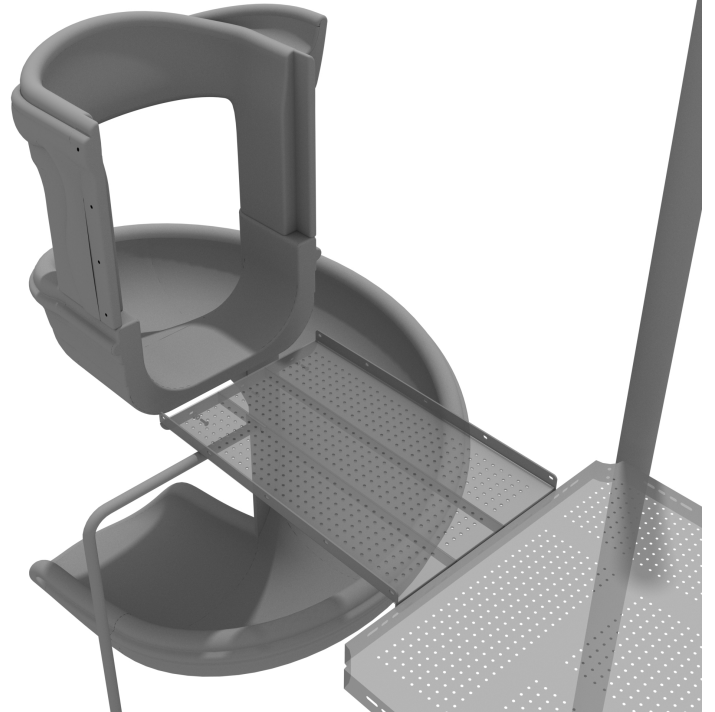
Connect the Spiral Slide Mount to the bottom of the Spiral Slide using four (4) M10*20 Bolts, four (4) M10 Spring Gaskets, and four (4) M10 Washers. Refer to the General Installation Guide for information on slide footings.



Spiral Slide Installation

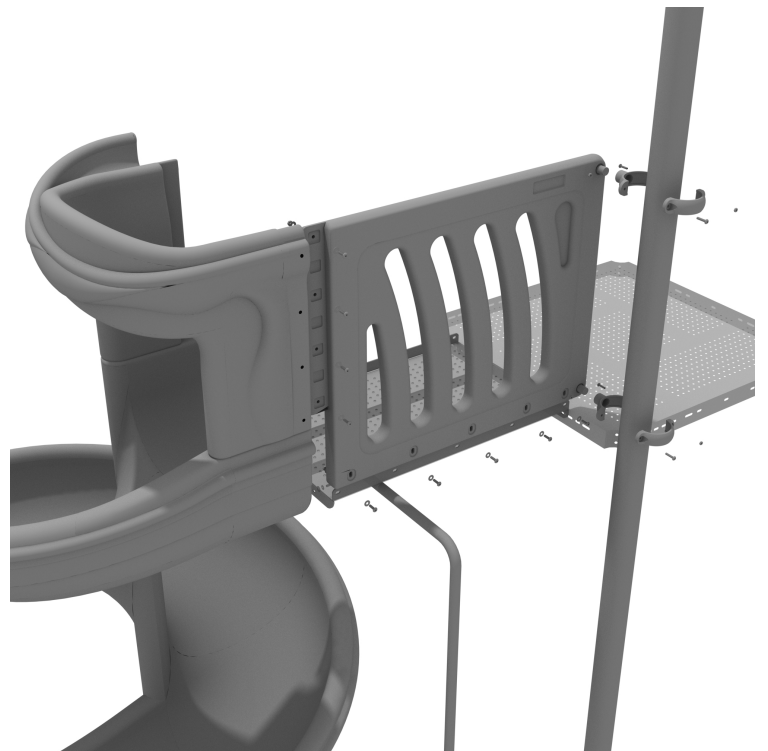
STEP: 5

See general installation guide regarding footing information for slides and support posts. Connect the Spiral Slide to the Spiral Slide Deck using three (3) M10*20 Bolts, three (3) M10 Spring Gaskets, and three (3) M10 Washers.



STEP: 6

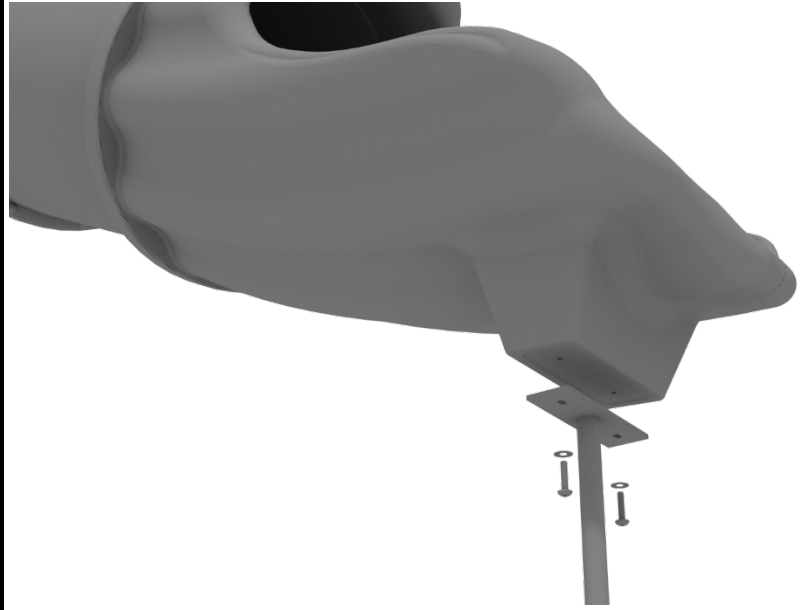
Attach the Spiral Slide Handrail to the Spiral Slide Deck using five (5) M8*60 Bolts, five (5) M8 Washers, five (5) M12 Washers, and five (5) M12 Inner Hex Nuts. Connect spiral slide panels to slide using four (4) M10*50 bolts, four (4) M10 washers, four (4) M10 lock nuts for each panel. Connect the handrails to the posts using two (2) tube clamps. Repeat this process for the other handrail.



5.0 Inch Tube Slide Installation

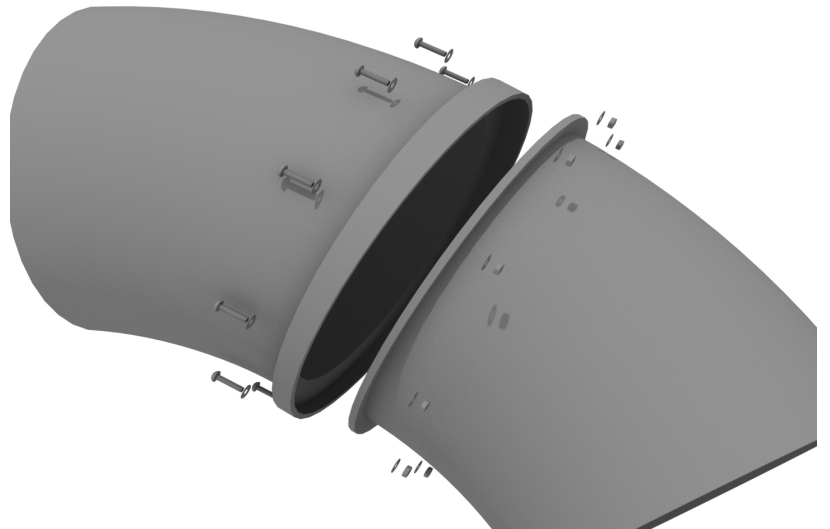
STEP: 1

Attach the slide end mount to the bottom of the slide using four (4) M10*20 bolts, four (4) M10 spring washers, and four (4) M10 washers.



STEP: 2

Connect the tube slide together using ten (10) M8*30 bolts, ten (10) M8 washers, and ten (10) M8 lock nuts for each connection point.



5.0 Inch Tube Slide Installation

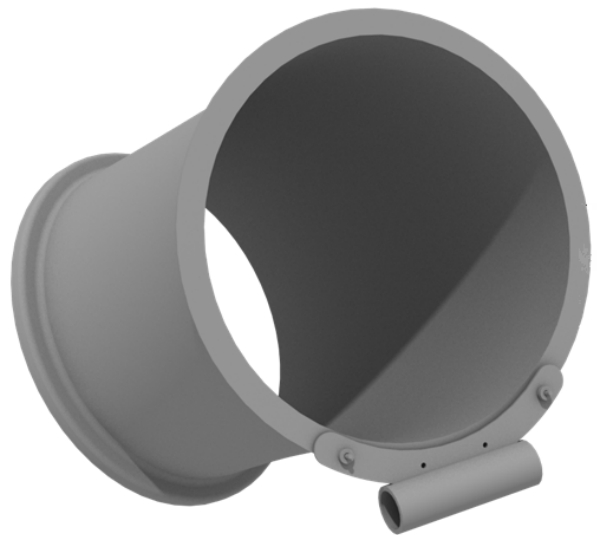
STEP: 3

Attach the tube slide supports to the slide support brackets by inserting the support into the designated slot under the slide, and tighten the set screws using the provided Allen wrench. Repeat this process for the other slide support post.



STEP: 4

Attention: Any hardware on pre-attached tube slide or tube bridge supports (not including set screws) are to be disposed. Use supplied bolts and appropriate lock nuts in hardware box to avoid any safety hazards or safety violations.



5.0-inch 4-Clamp Arch Rail Installation

STEP: 1

Attach the Arch Rail to the designated posts by connect half of the tube clamp to the arch rail.

Repeat this process for each attachment point. Set the arch rail into place, then attach the second half of the clamp around the post.

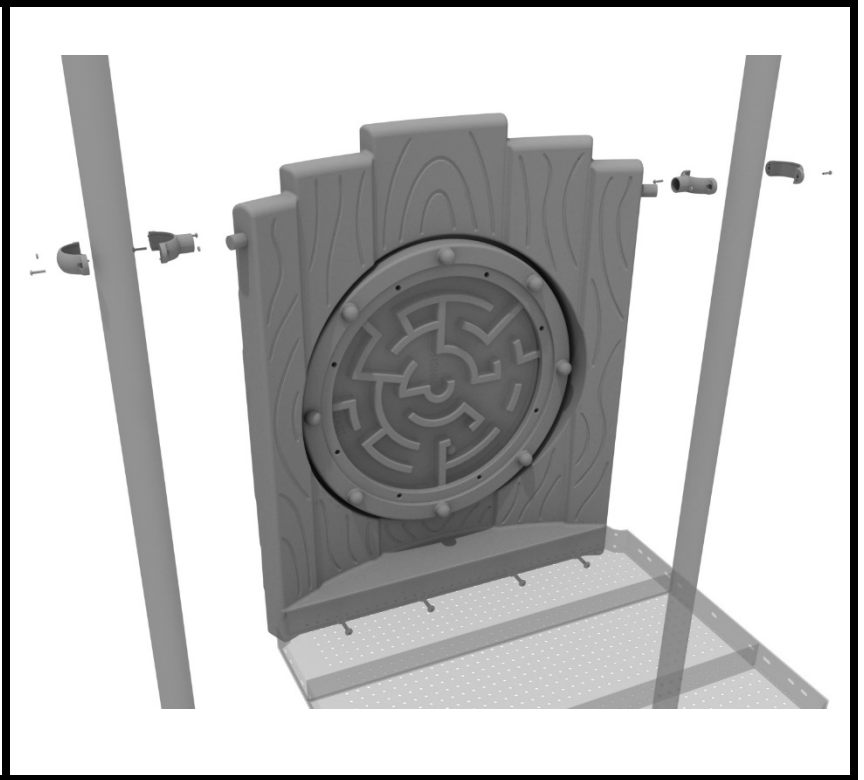
The gap between the deck and the bottom of the rail should be no more than 3 inches.



5.0-inch Treehouse Ball Maze Panel Installation

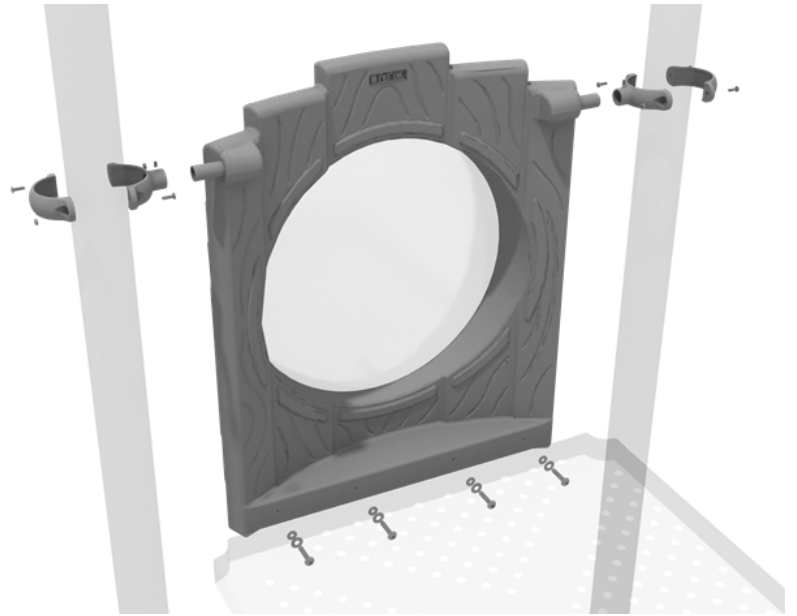
STEP: 1

Attach the Treehouse Ball Maze Panel to the designated posts using two (2) tube clamps and two (2) M4*25 Set Screws. Then, attach the bottom of the panel to the deck using four (4) M10*20 Bolts, four (4) M10 Washers, and four (4) M10 Lock Nuts.



5.0-inch Treehouse Bubble Panel Installation

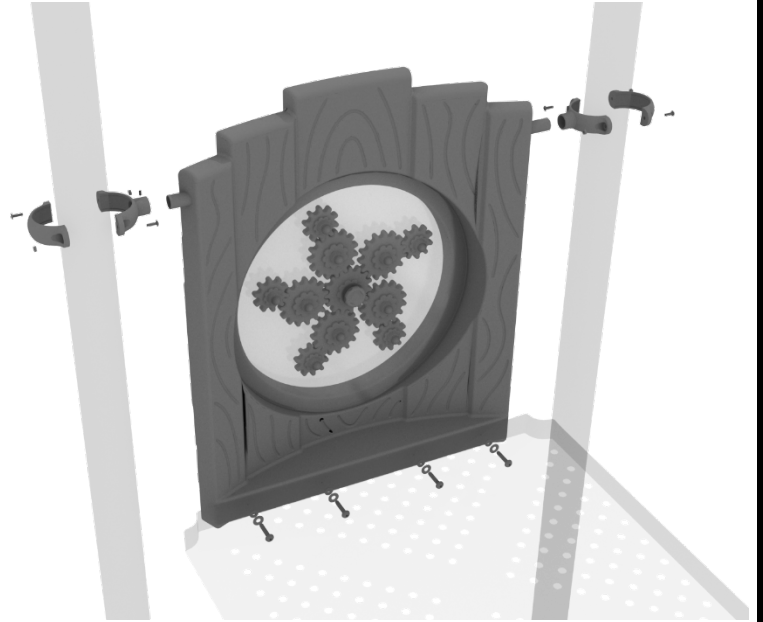
Attach the Tree house Bubble Panel to the designated posts using two (2) tube clamps and two (2) M4*25 Set Screws. Then, attach the bottom of the panel to the deck using four (4) M10*20 Bolts, four (4) M10 Washers, and four (4) M10 Lock Nuts.



5.0-inch Treehouse Gear Panel Installation

STEP: 1

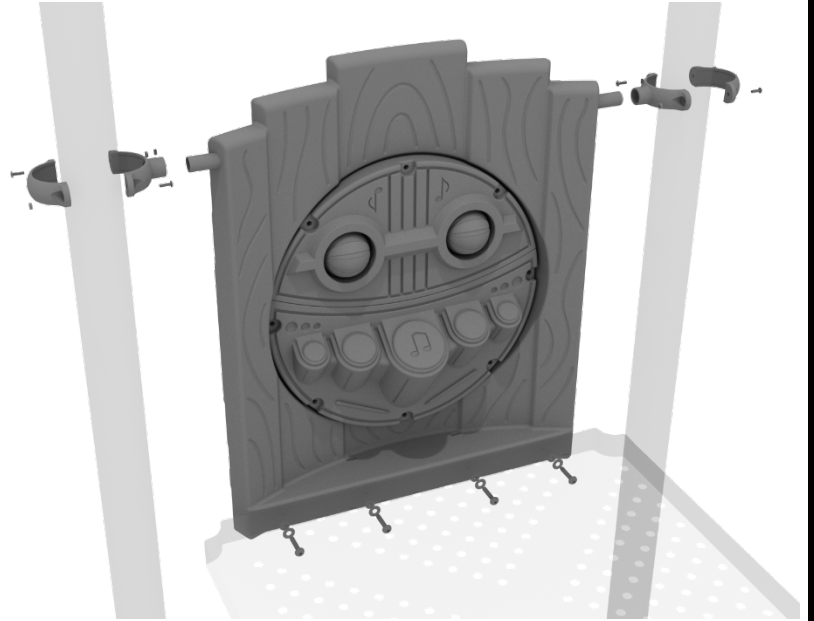
Attach the Treehouse Gear Panel to the designated posts using two (2) tube clamps and two (2) M4*25 Set Screws. Then, attach the bottom of the panel to the deck using four (4) M10*20 Bolts, four (4) M10 Washers, and four (4) M10 Lock Nuts.



5.0-inch Treehouse Percussion Panel Installation

STEP: 1

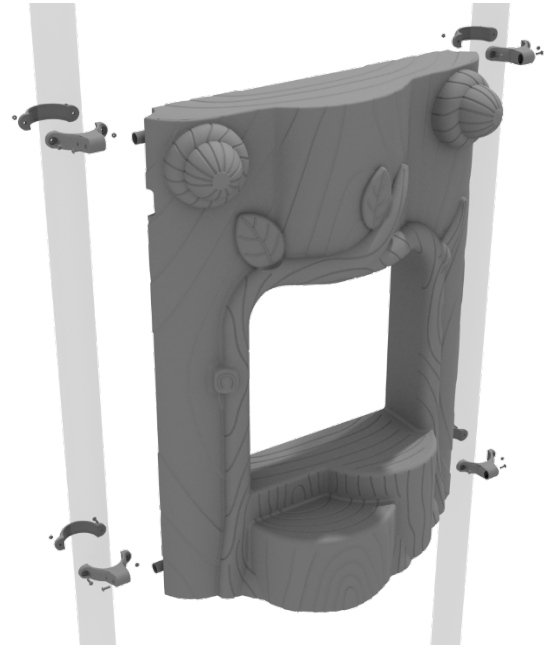
Attach the Treehouse Percussion Panel to the designated posts using two (2) tube clamps and two (2) M4*25 Set Screws. Then, attach the bottom of the panel to the deck using four (4) M10*20 Bolts, four (4) M10 Washers, and four (4) M10 Lock Nuts.



Treehouse Stump Store Panel Installation

STEP: 1

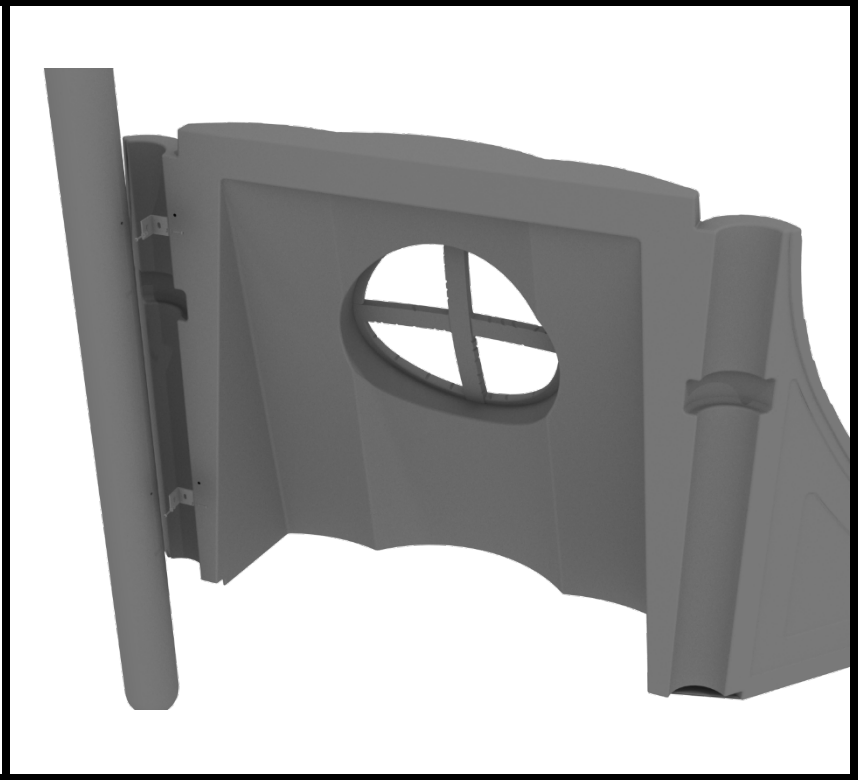
Attach the Treehouse Stump Store Panel using four (4) M4*25 Set Screws for the four (4) tube clamps, clamping around the appropriate post.



STEP: 1

Align the Treehouse Stump Window Panel with the intended posts. The posts have a threaded insert that must be lined up correctly with the Treehouse Stump Window Panel.

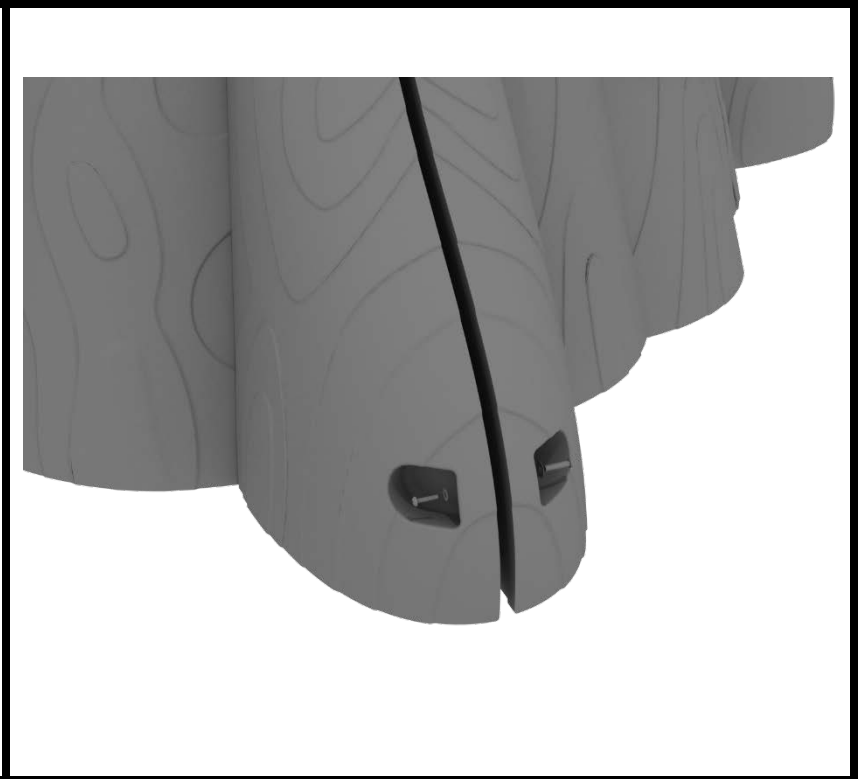
Using the provided mounting brackets, attach the panel to the posts with eight (8) M8*30 Bolts, eight (8) M8 Washers, and eight (8) M8 Spring Gaskets.



STEP: 2

The Treehouse Stump Window Panel can attach to a 2nd Treehouse Stump Window Panel using one (1) M8*45 Bolt, and one (1) M10*45 Inner Hex Nut.

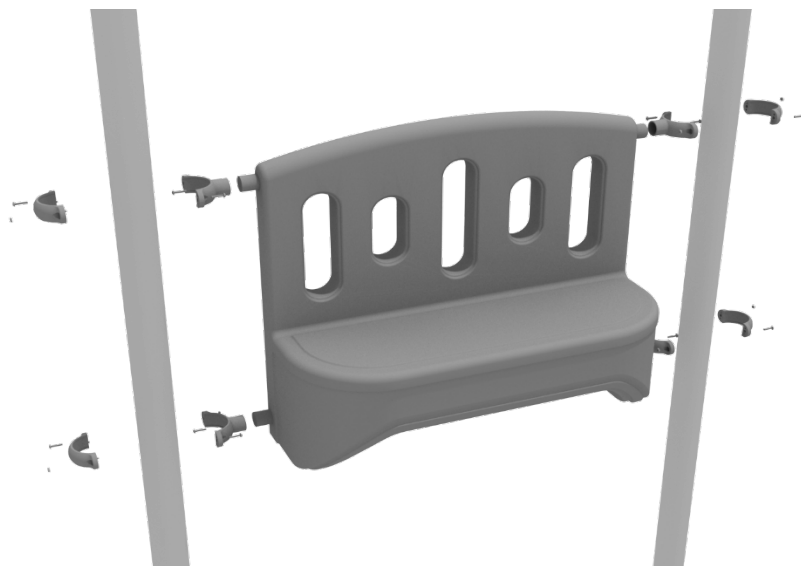
This step does not apply in cases where there is only 1 Treehouse Stump Window Panel.



5-inch Bench Installation

STEP: 1

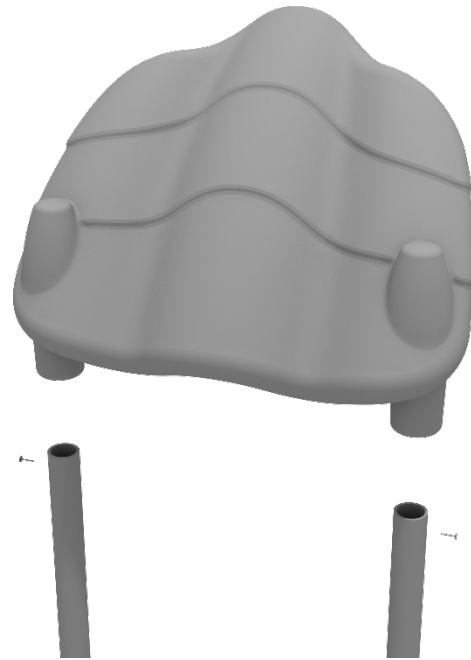
Connect the bench panel to the designated post using four (4) 5-inch tube clamps.



Banana Roof Install

STEP: 1

Place roof onto designated post, drill and bolt from top of post using two (2) M8*30 bolts, two (2) M8 spring washer and two (2) M8 washers per roof.



Treehouse Club House Roof Installation

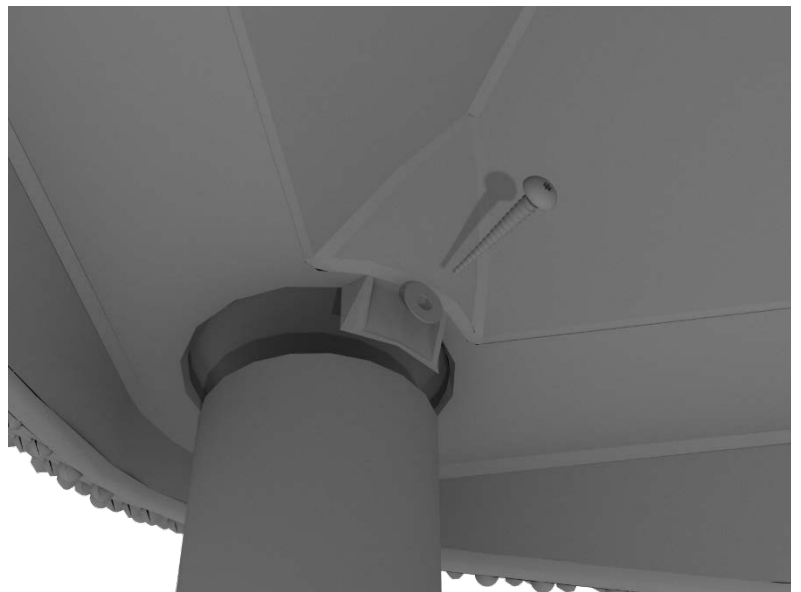
STEP: 1

Place the Club House roof on to the top of the posts of the appropriate deck.



STEP: 1

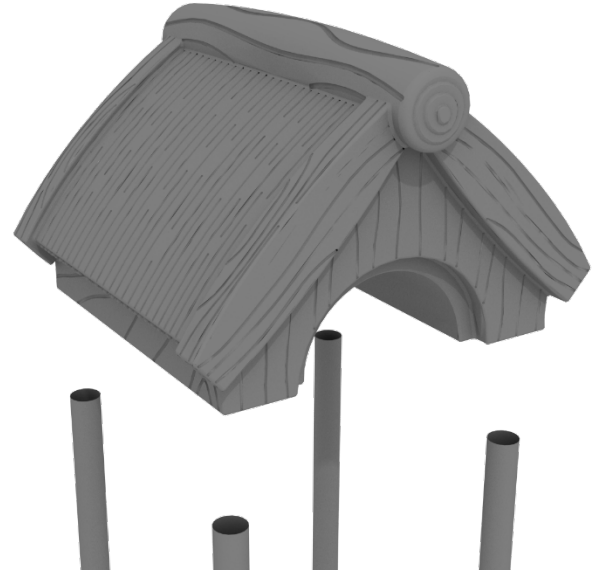
Install the Club House roof by using four (4) M4*50 Self Tapping screws, and four (4) M8 Washers.



Treehouse Gable Roof Installation

STEP: 1

Place the Gable Roof on to the top of the posts of the appropriate deck.



STEP: 1

Install the Gable Roof by using four (4) M4*50 Self Tapping screws, and four (4) M8 Washers.

