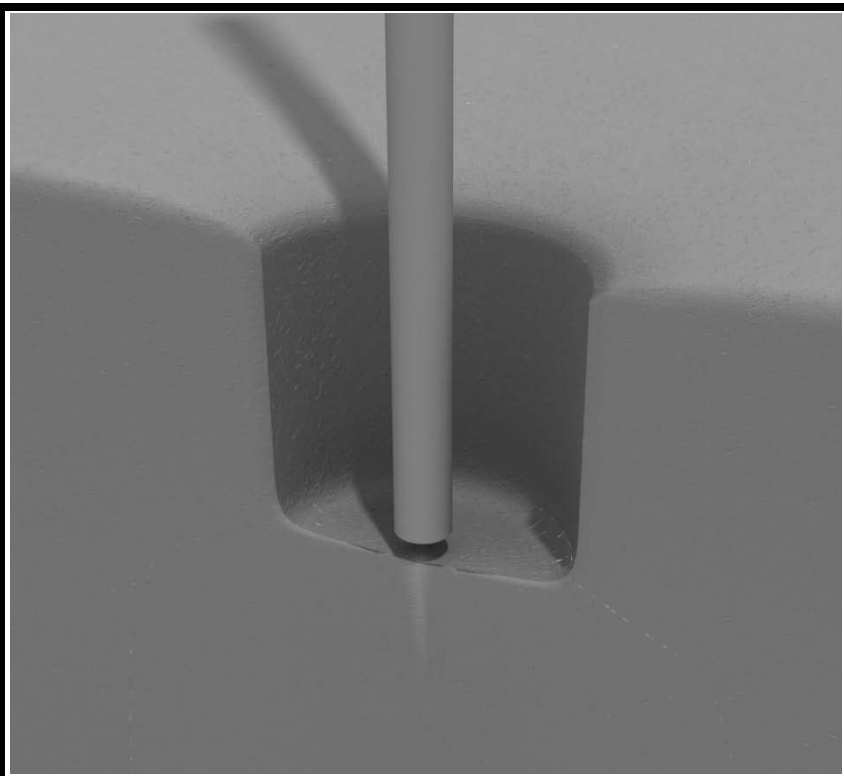


STEP: 1

**DO NOT CEMENT POSTS INTO PLACE
UNTIL THE ENTIRE STRUCTURE IS
ASSEMBLED.**

Refer to the General Installation
guide footing information and dig
proper holes for the support posts.



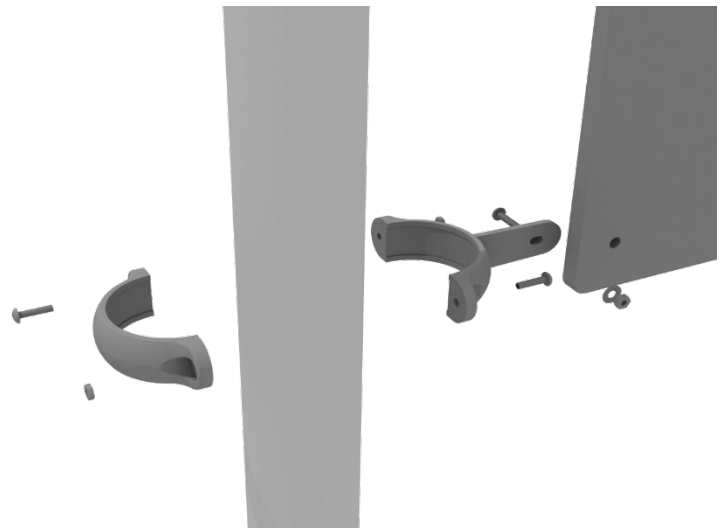
4.5-inch Clamp Installation Examples

The following two pages will include examples of how to install some of the most common types of Clamps that are present on our structures that use 4.5-inch outside diameter posts. The structure that you are assembling might not require all the types of clamps listed in these examples.

The Install Guides for specific components that come later in this document might call for a specific type of clamp (a tube clamp for example), those sections will not include detailed instructions for the clamps and should direct you back to this section for more detailed information.

4.5-inch Flat Clamp Installation Example

Connect half of the flat clamp to the component using one (1) M8*30 bolt and Lock Nut. Then, using the other half of the flat clamp and the hardware provided in the clamp hardware bag, attach the backside of the flat clamp around the post.



4.5-inch Clamp Installation Examples

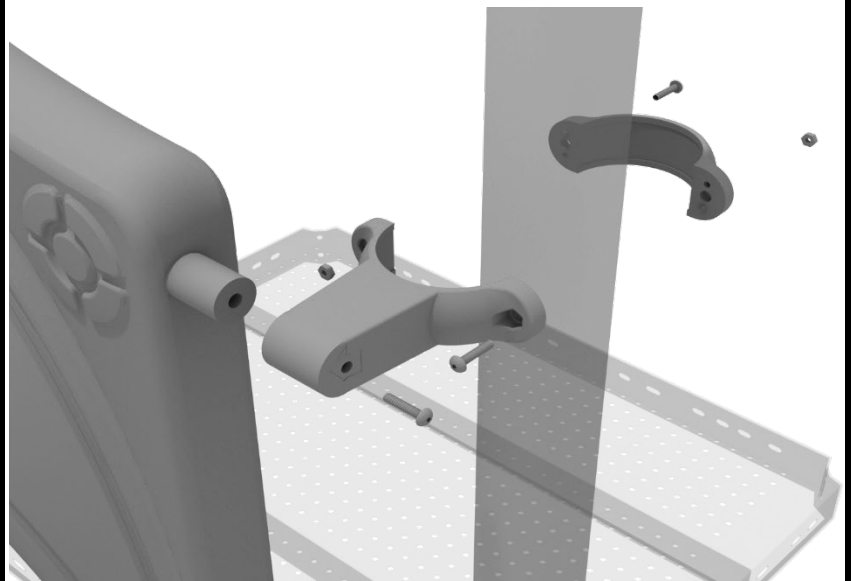
4.5-inch Tube Clamp Installation Example

Insert Bar on Component into one half of the Tube Clamp and attach with M4*25 Set Screw. Then, using the other half of the tube clamp and the hardware provided in the clamp hardware bag, attach the backside of the tube clamp around the post.



4.5-inch Double Slide Clamp Installation Example

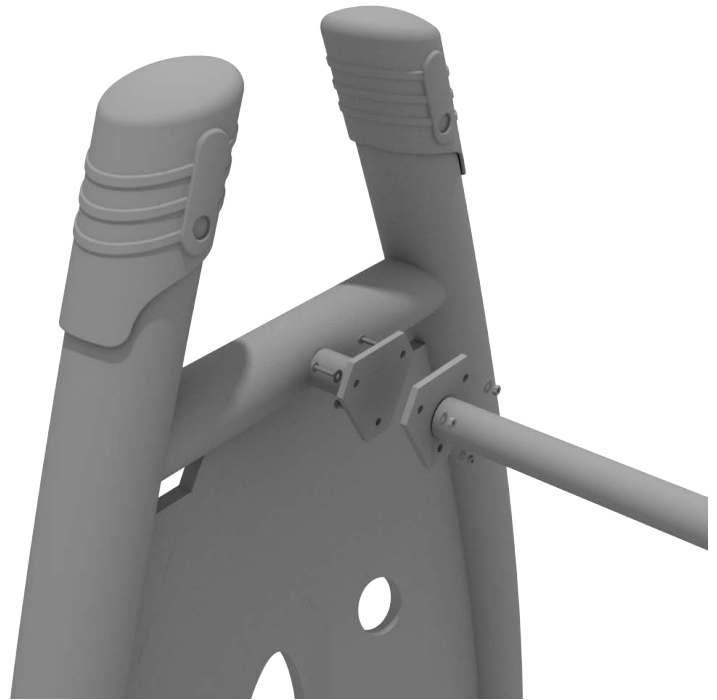
Connect half of the double slide clamp to the double slide hood using one (1) M8*30 bolt. Then, using the other half of the clamp and the hardware provided in the clamp hardware bag, attach the backside of the double slide clamp around the post.



Get Physical Series – Standard Attachment Point Installation

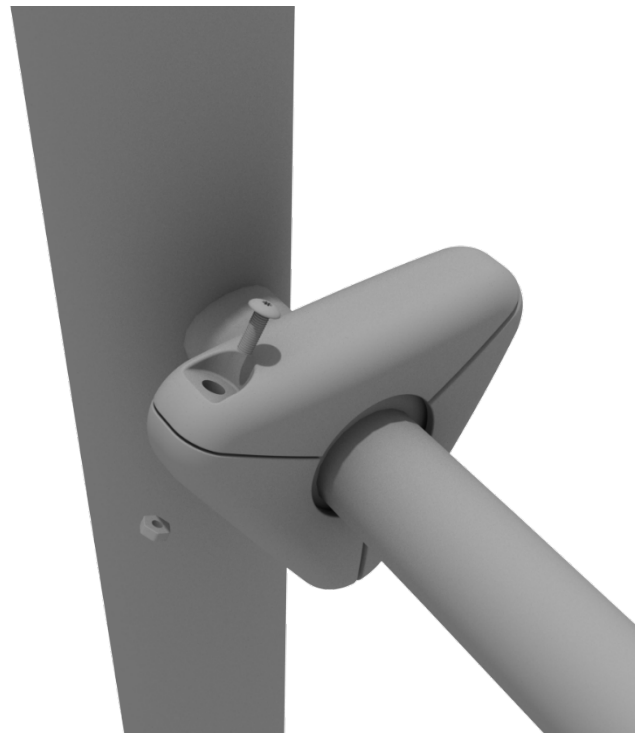
STEP: 1

Most components of a Get Physical series structure attach using this standard attachment point. Use three (3) M10*25 bolts, six (6) M10 washers, and three (3) M10 lock nuts.

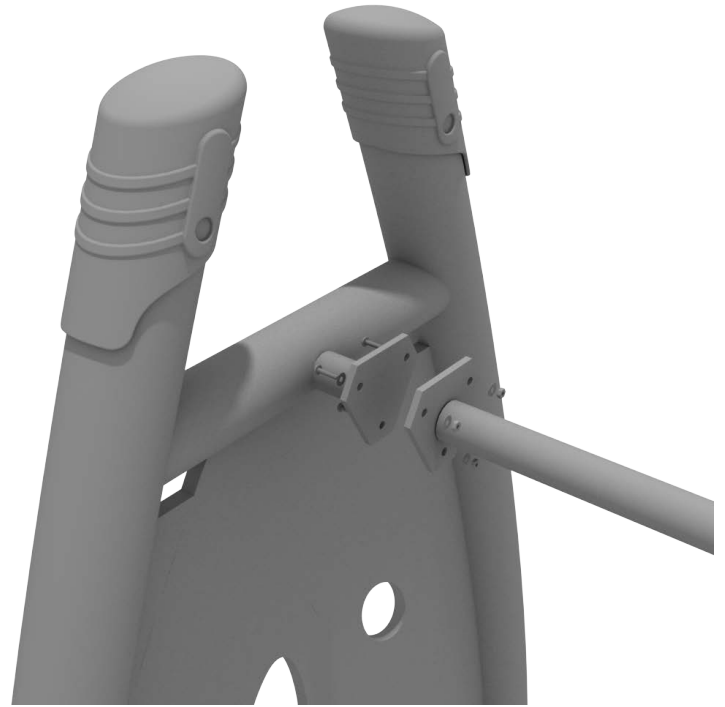


STEP: 2

Each of these attachment points has a rubber cover to protect the bolts. Attach the cover and secure using the pre-attached M8*40 bolt and M8 lock nut.



To connect any Get Physical Arch posts together. Refer to the Standard Attachment Point install section for more detailed information.

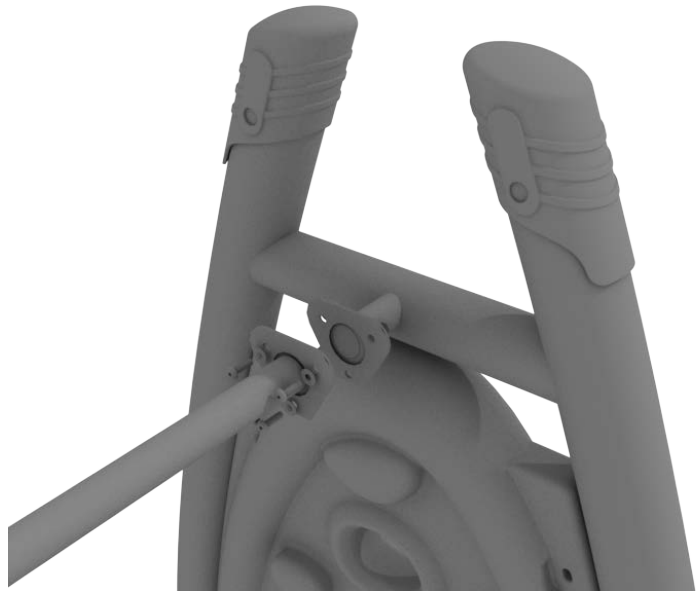


Get Physical Series – Curved Panel Climber

Installation

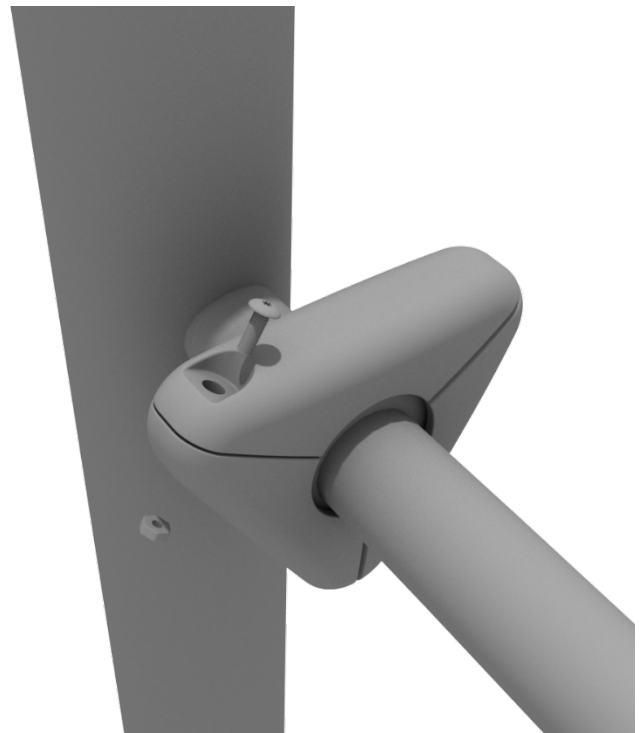
STEP: 1

Attach using this standard attachment point. Use three (3) M10*25 bolts, six (6) M10 washers, and three (3) M10 lock nuts.



STEP: 2

Each of these attachment points has a rubber cover to protect the bolts. Attach the cover and secure using the pre-attached M8*40 bolt and M8 lock nut.

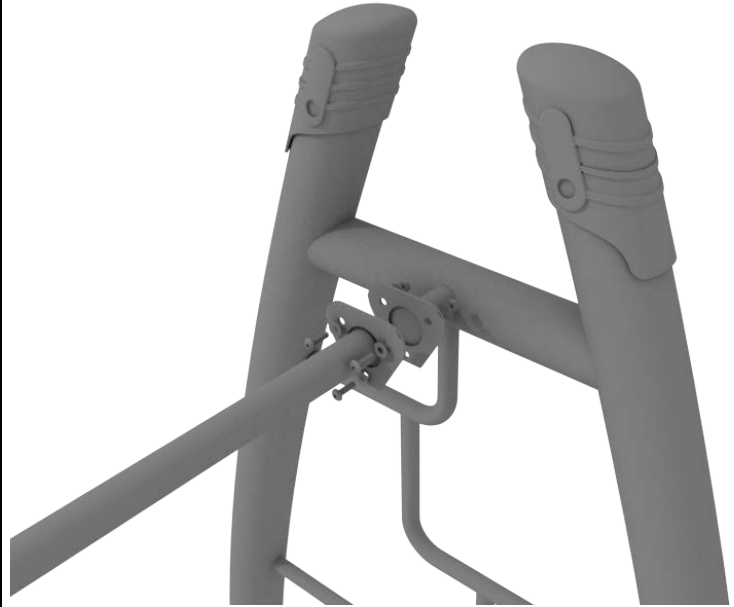


Get Physical Series – Maze Rung Vertical

Ladder Install

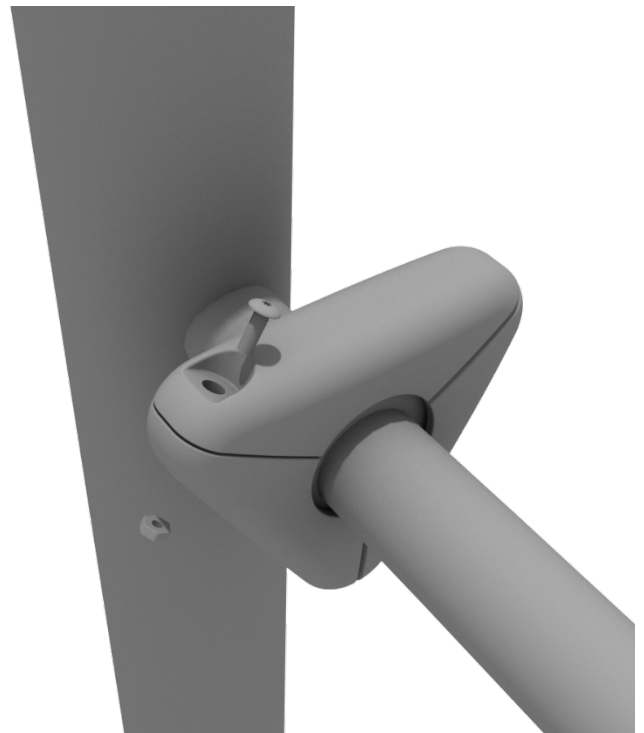
STEP: 1

Attach using this standard attachment point. Use three (3) M10*25 bolts, six (6) M10 washers, and three (3) M10 lock nuts.



STEP: 2

Each of these attachment points has a rubber cover to protect the bolts. Attach the cover and secure using the pre-attached M8*40 bolt and M8 lock nut.



Triangle Deck Installation

STEP: 1

After the posts are in place, using three (3) M10*35 bolts, six (6) M10 washers, and three (3) M10 lock nuts, attach the triangle deck to each pre-attached deck clamp as shown in the image.

Deck clamps are pre-attached to the posts and should not be altered in any way.



Half Hex Deck Installation

STEP: 1

After the posts are in place, using five (5) M10*35 bolts, ten (10) M10 washers, and five (5) M10 lock nuts, attach the deck to each pre-attached deck clamp as shown in the image.

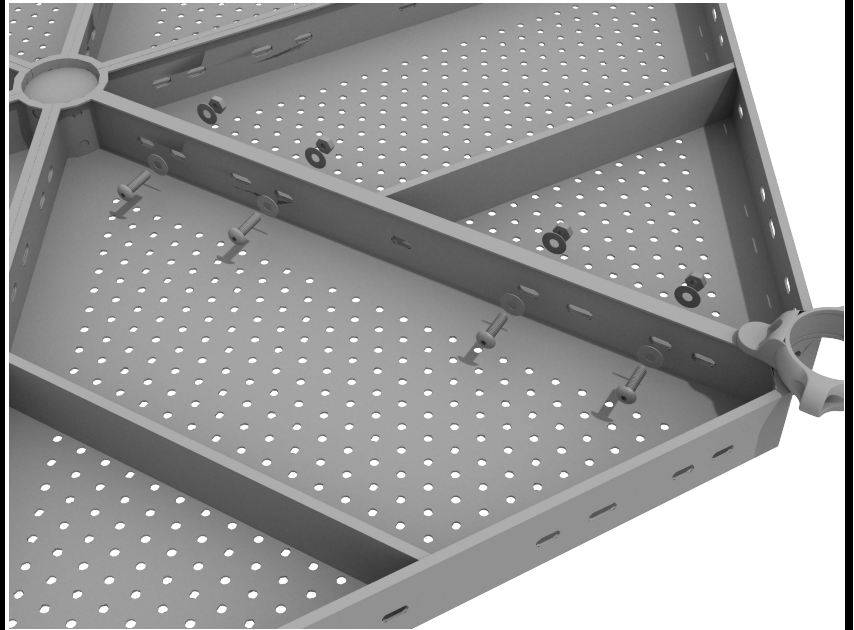
Deck clamps are pre-attached to the posts and should not be altered in any way.



Half Hex Deck Connect to Half Hex Deck

STEP: 1

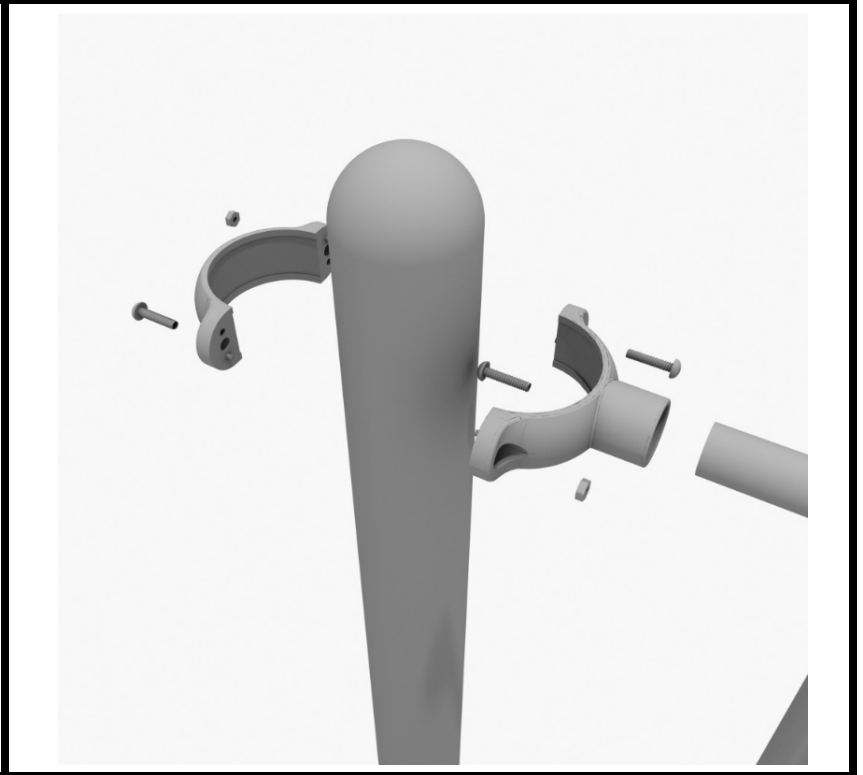
When installing decks that are adjacent to one another at the same height, they should be bolted together. On the underside of the deck, install using four (4) M10*25 Bolts, eight (8) M10 Washers, and four (4) M10 Lock Nuts. Repeat this process for every set of adjacent decks.



4.5-inch 3-foot Transfer Station Install

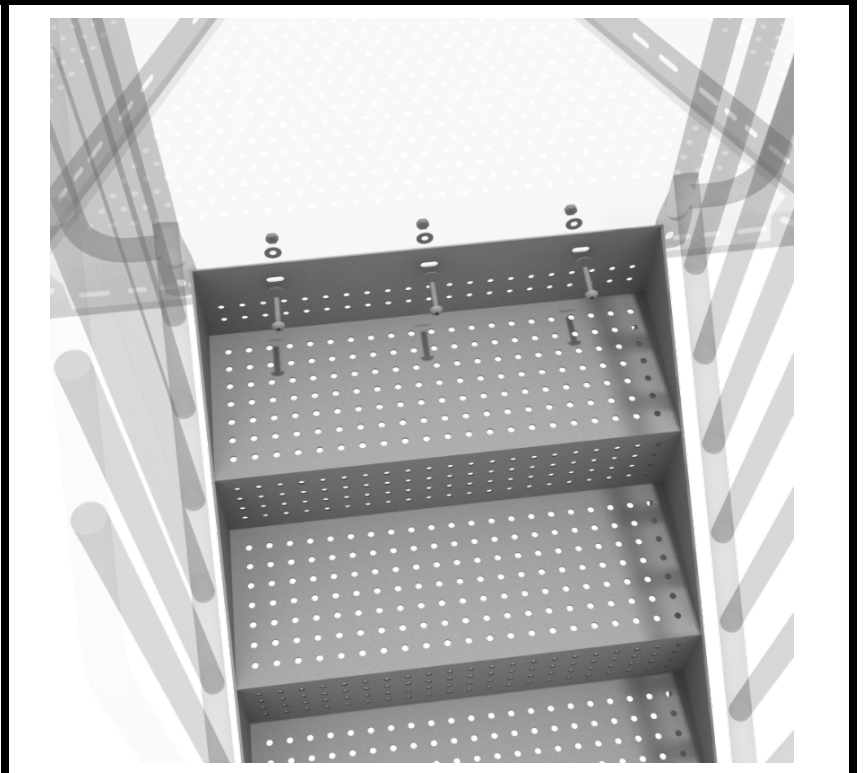
STEP: 1

Connect half of a tube clamp to the ADA transfer handrail using one (1) M4*25 self-tapping screw. Set the handrail into place, then attach the second half of the clamp using the hardware provided in the clamp bag. Repeat this process for the other handrail.



STEP: 2

Using three (3) M10*25 bolts, six (6) M10 washers, and three (3) M10 lock nuts, attach the top of the stairs to the half hex deck. Then using four (4) M10*30 bolts, eight (8) M10 washers, and four (4) M10 lock nuts, attach the handrail to the bottom of the stairs. Then, using two (2) M10*25 bolts, four (4) M10 washers, and two (2) M10 lock nuts, attach the handrails to the deck.



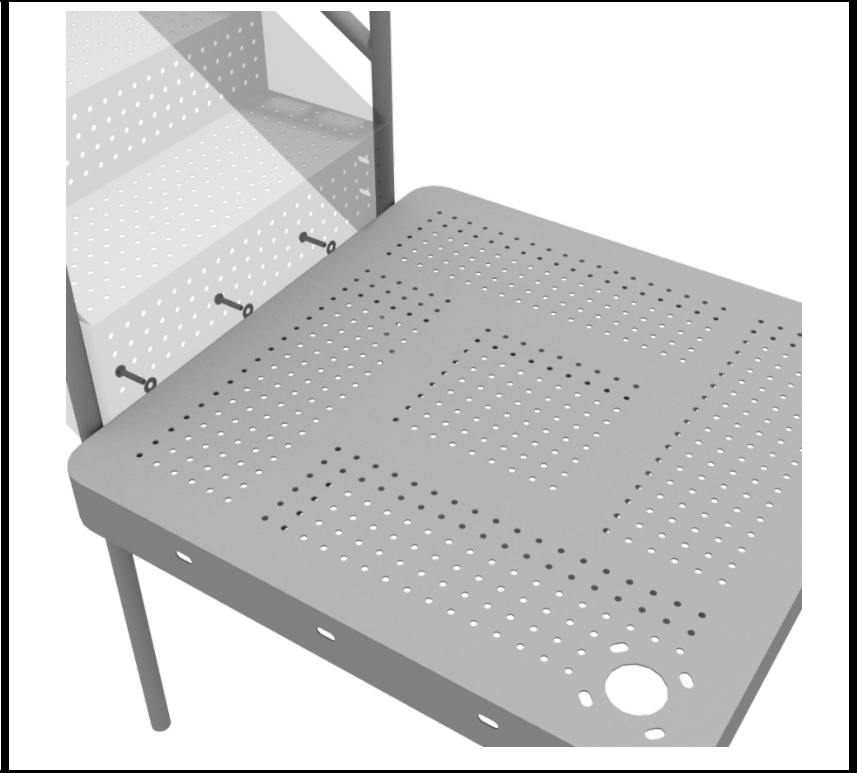
10859 Washington St. Suite
200, Indianapolis, IN
1-800-667-0097

Created By: Derick H
Date Modified: 07/27/18

4.5-inch 3-foot Transfer Station Install

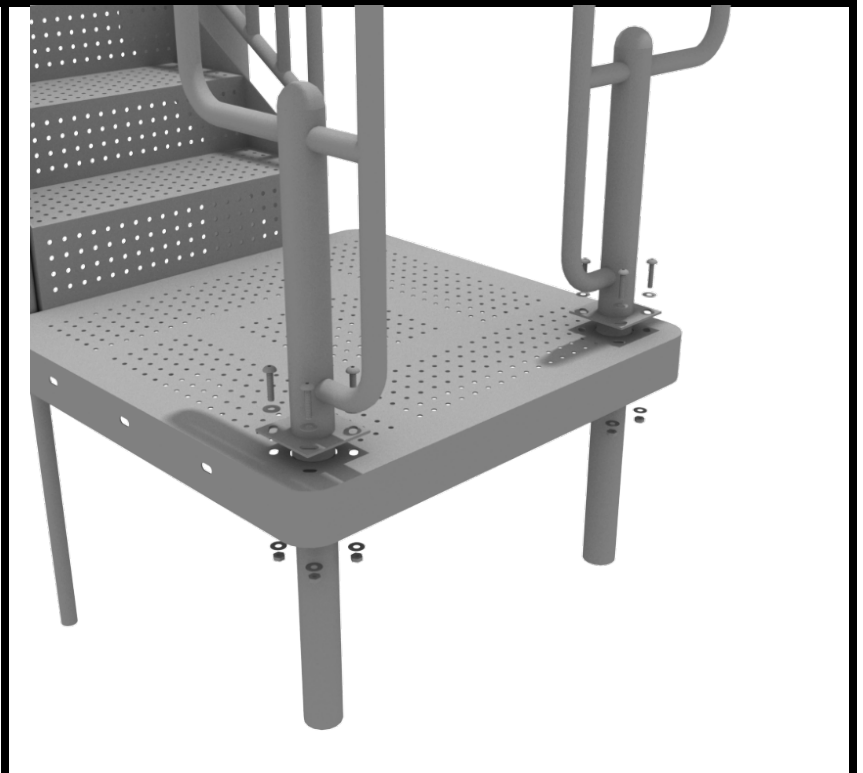
STEP: 3

Using three (3) M10*25 bolts, six (6) M10 washers, and three (3) M10 lock nuts, attach the ADA transfer deck to the base of the 4-foot ADA transfer stair.



STEP: 4

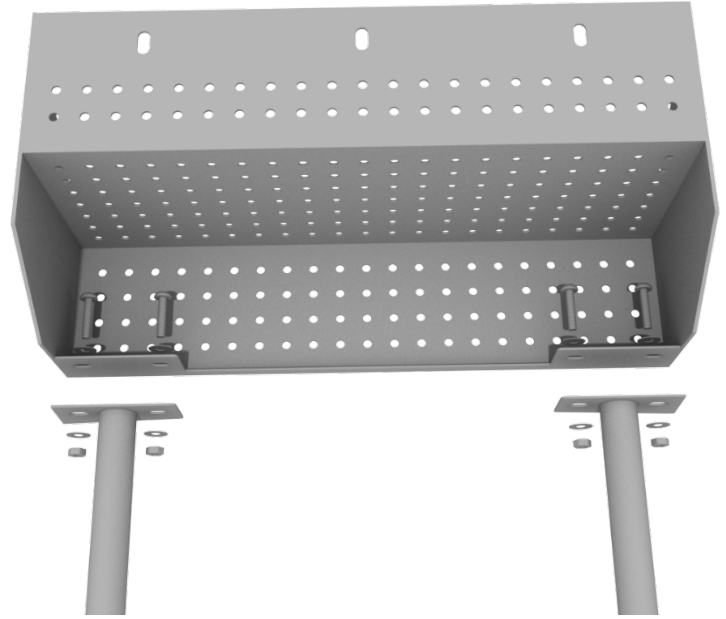
See general installation guide regarding footing information for the transfer deck handrail. Using four (4) M10*25 bolts, eight (8) M10 washers, and four (4) M10 lock nuts, attach each transfer deck handrail to the ADA transfer deck.



4.5-inch 3-foot Transfer Station Install

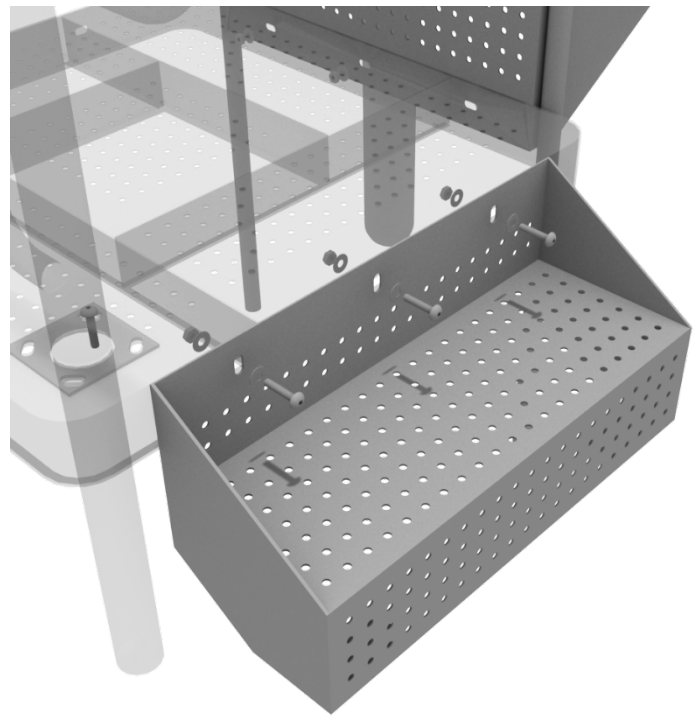
STEP: 5

See general installation guide regarding footing information for the ADA transfer step mount. Using two (2) M10*25 bolts, four (4) M10 washers, and two (2) M10 lock nuts, attach the transfer step to each ADA transfer step mounts.



STEP: 6

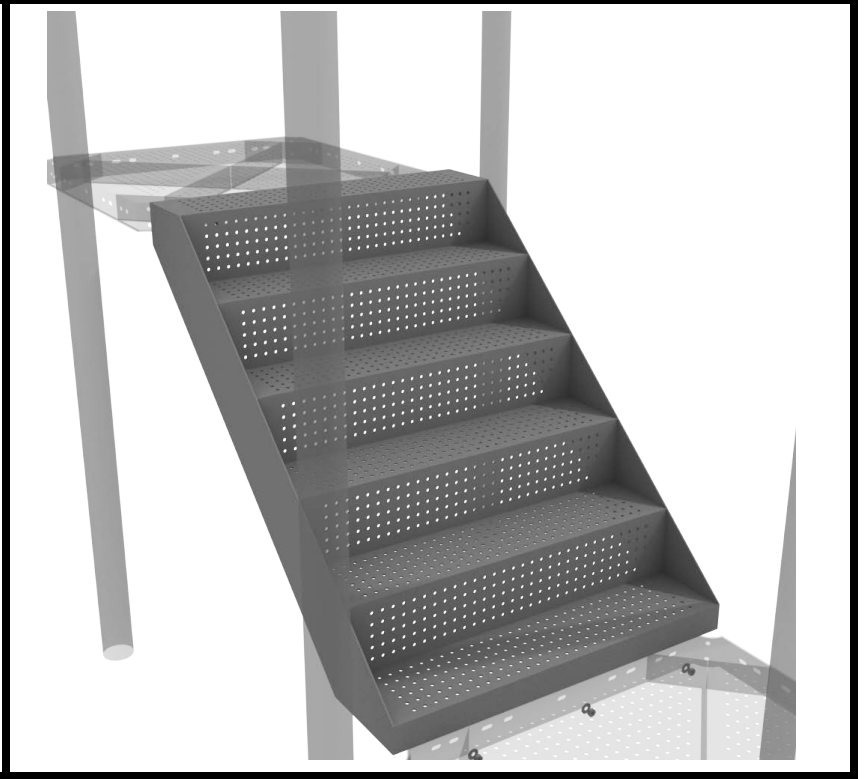
Using three (3) M10*25 bolts, six (6) M10 washers, and three (3) M10 washers, attach the top of the ADA transfer step to the ADA transfer deck.



3-Foot Middle Stair Installation

STEP: 1

Using six (6) M10*25 bolts, twelve (12) M10 washers, and six (6) M10 lock nuts, attach the 3-foot connection stair to the assigned decks.



STEP: 2

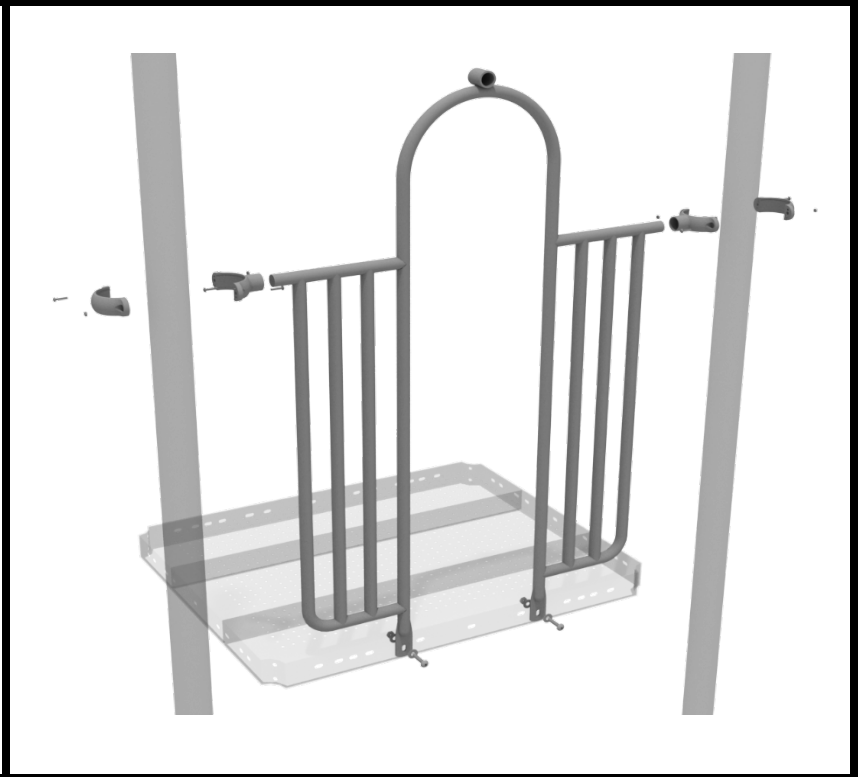
Then, once the stair is in place, attach the 3-foot connection handrail to the posts using four (4) 4.5-inch tube clamps, and four (4) M8*30 bolts. Then, attach the bottom of the handrails to the decks using one (1) M10*25 bolt, two (2) M10 washers, and one (1) M10 lock nut for each attachment point.



4.5-inch 2-Clamp Arch Rail Installation

STEP: 1

Attach the Arch Rail to the designated posts by connect half of the tube clamp to the arch rail using one (1) M8*30 bolt. Repeat this process for each post attachment point. Then, attach the rail to the deck using two (2) M10*25 bolts, four (4) M10 washers, and two (2) M10 lock nuts. Finally, attach the second half of the clamp around the post.



4.5-inch 4-Clamp Arch Rail Installation

STEP: 1

Attach the Arch Rail to the designated posts by connect half of the tube clamp to the arch rail using one (1) M8*30 bolt. Repeat this process for each attachment point.

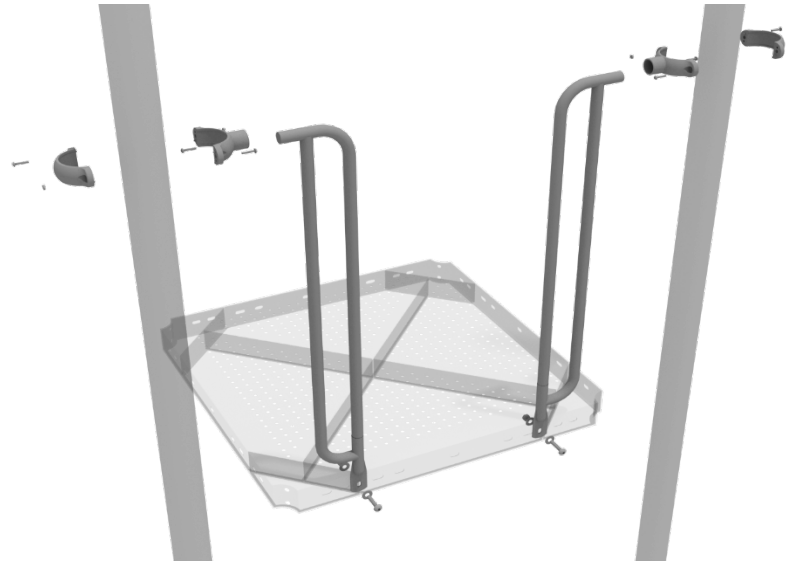
Set the arch rail into place, then attach the second half of the clamp around the post. The gap between the deck and the bottom of the rail should be no more than 3 inches.



7-Rail Installation

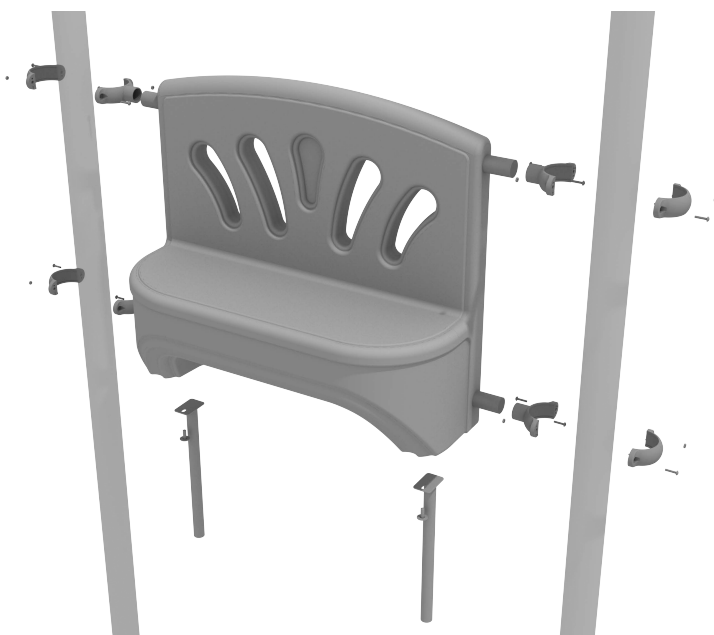
STEP: 1

Attach each 7-Rail to the designated posts using one (1) tube clamp and one (1) M8*30 Bolt. Then, attach the bottom of the 7-Rail to the deck using one (1) M10*25 Bolt, two (2) M10 Washers, and one (1) M10 Lock Nut.



Install four (4) Tube Clamps to the panel following the Clamp Installation Guide.

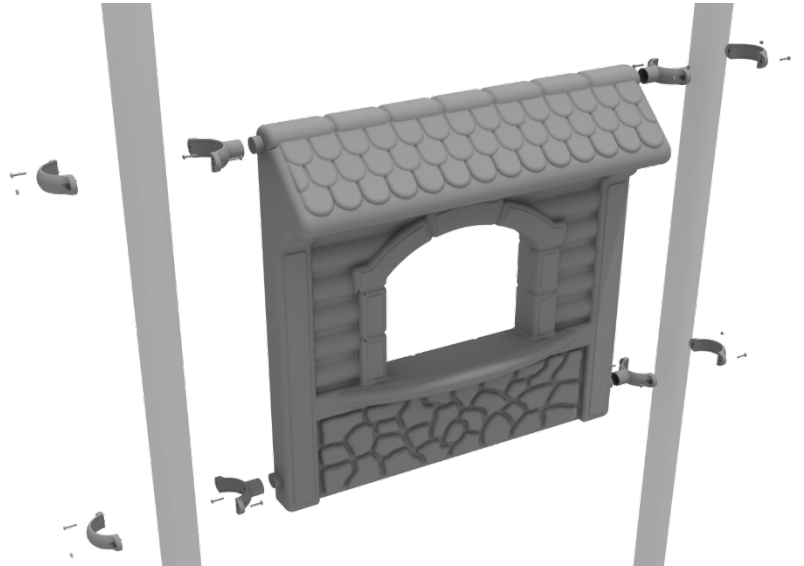
Attach two (2) Single Hole Mounts to the underside of the Bench Panel using the (x2) M10 Bolts and (x2) M10 Washers.



4.5-inch Store Panel Installation

STEP: 1

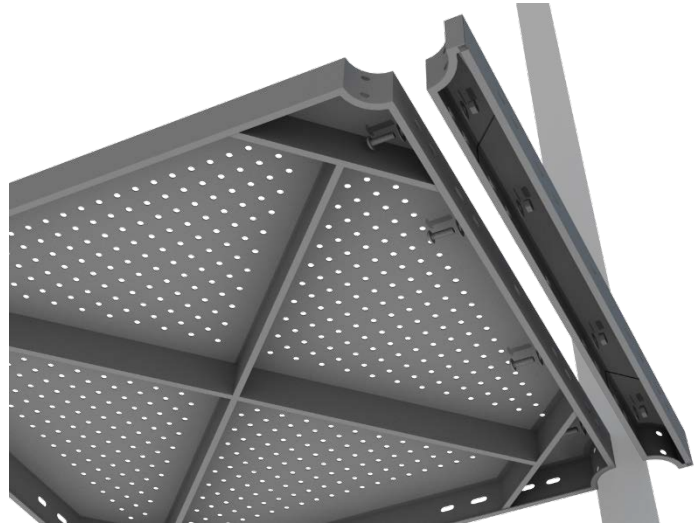
Connect the store panel to the designated post using four (4) 4.5-inch tube clamps.



3-Foot Double Straight Slide Installation

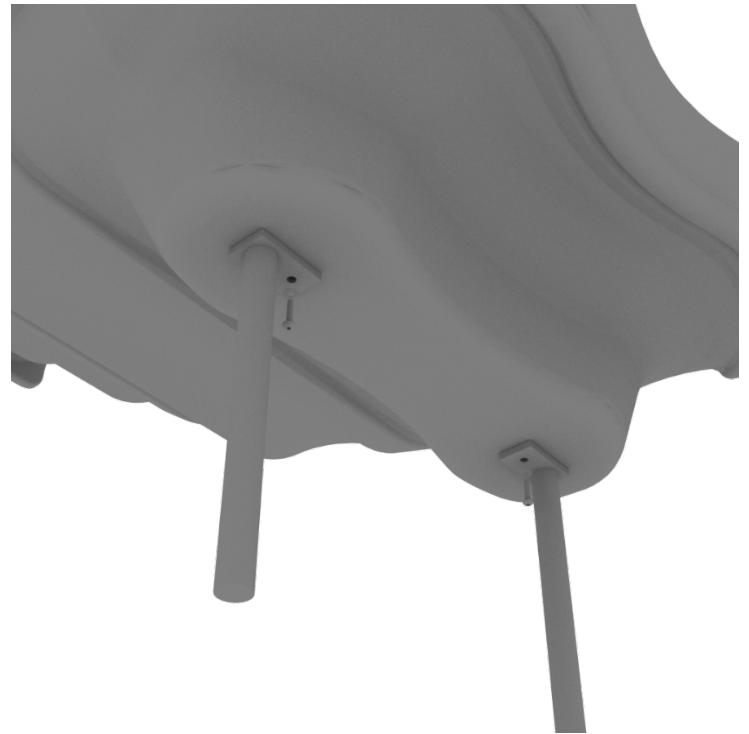
STEP: 1

For the double slide, you will first need to attach the double slide deck extension. This will require four (4) M10*25 bolts, eight (8) M10 washers, and four (4) M10 lock nuts.



STEP: 2

Then, See general installation guide regarding footing information for the double slide end mounts. Using two (2) M8*20 bolts, two (2) M8 spring gaskets, and two (2) M8 washers, attach the slide end mounts to the double slide.



3-Foot Double Straight Slide Installation

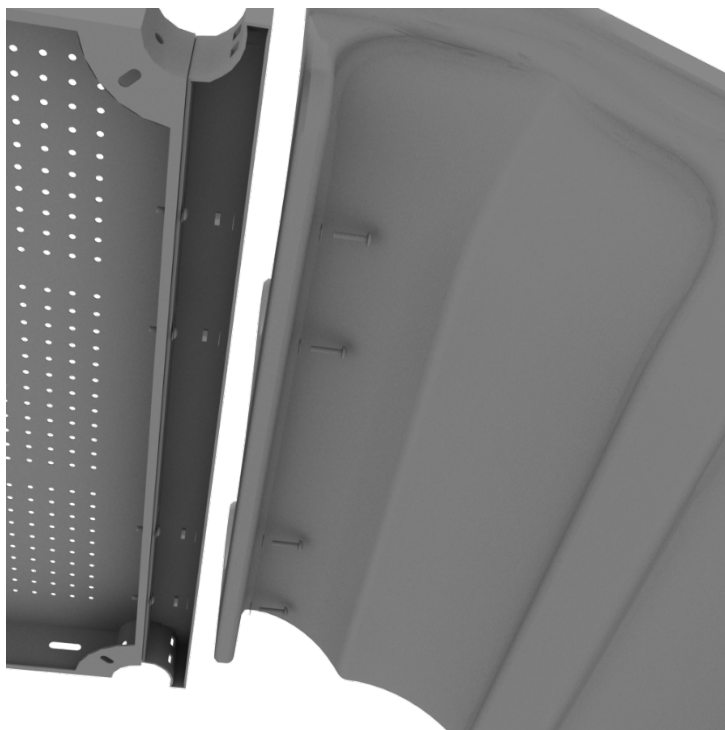
STEP: 3

Then, See general installation guide regarding footing information for the double slide middle support. Attach the middle support to the slide using two (2) M8*20 bolts, two (2) M8 spring washers, and two M8 washers.



STEP: 4

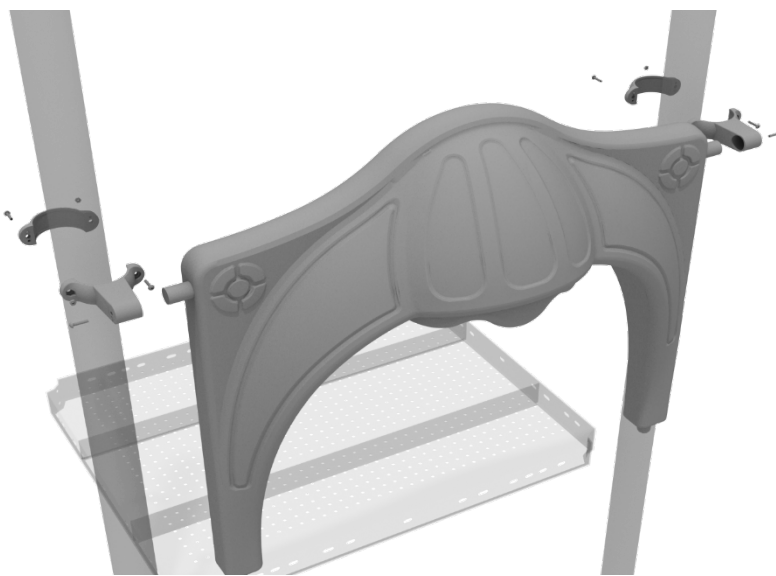
Then, attach the slide to the deck extension using four (4) M10*45 bolts, eight (8) M10 washers, and four (4) M10 lock nuts.



3-Foot Double Straight Slide Installation

STEP: 5

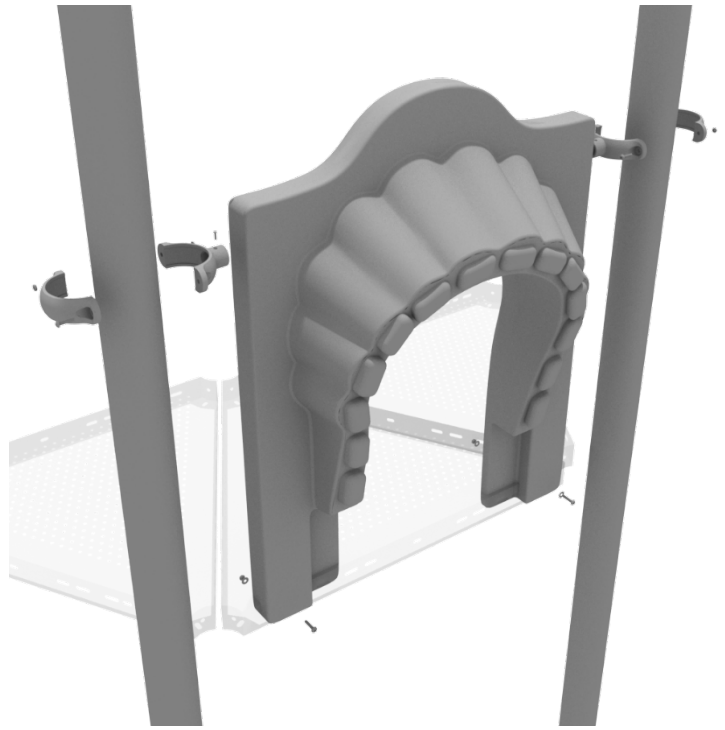
Once the slide is attached, take the double slide hood and insert it into the top of the slide, and then attach the top using two (2) double slide clamps, and two (2) M8*30 bolts.



6-foot Single Straight Slide Installation

STEP: 1

To attach the single slide hood to a deck, take two clamps and attach them to the posts using two (2) M4*25 self-tapping screws. Then, attach the hood to the deck using two (2) M10*50 bolts, four (4) M10 washers, and two (2) M10 lock nuts. Repeat this process for every single slide hood.



STEP: 2

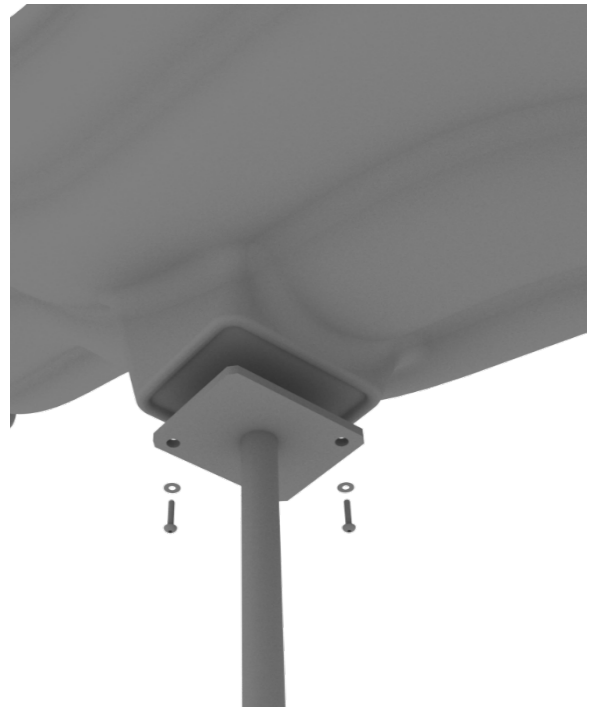
See general installation guide regarding footing information for the slide end mount. Using two (2) M8*20, two (M8) spring washers. And two (2) M8 washers, attach the slide to the slide support post.



6-foot Single Straight Slide Installation

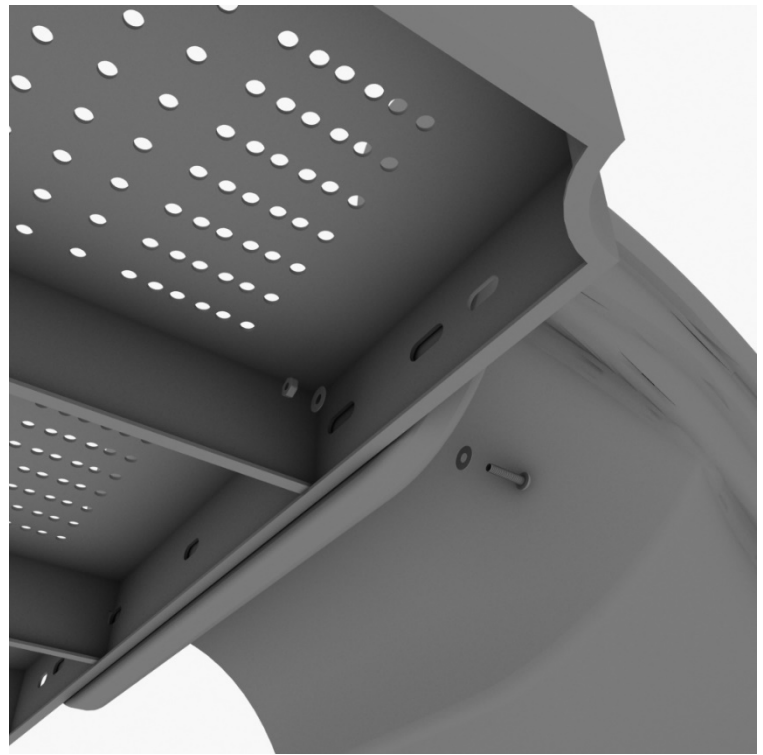
STEP: 3

See general installation guide regarding footing information for the middle slide support. Using two (2) M8*20 bolts, two (2) M8 spring washers, and two (2) M8 washers, attach the middle slide support post. Repeat the process for each middle slide mount.



STEP: 4

To attach a single slide to a deck, use two (2) M10*45 bolts, four (4) M10 washers, and two (2) M10 lock nuts. Repeat this process for the other side of the slide. Repeat this process for each single slide.



10859 Washington St. Suite
200, Indianapolis, IN
1-800-667-0097

Created By: Aaron Price
Date: 03/19/2018

6-foot Single Straight Slide Installation

STEP: 5

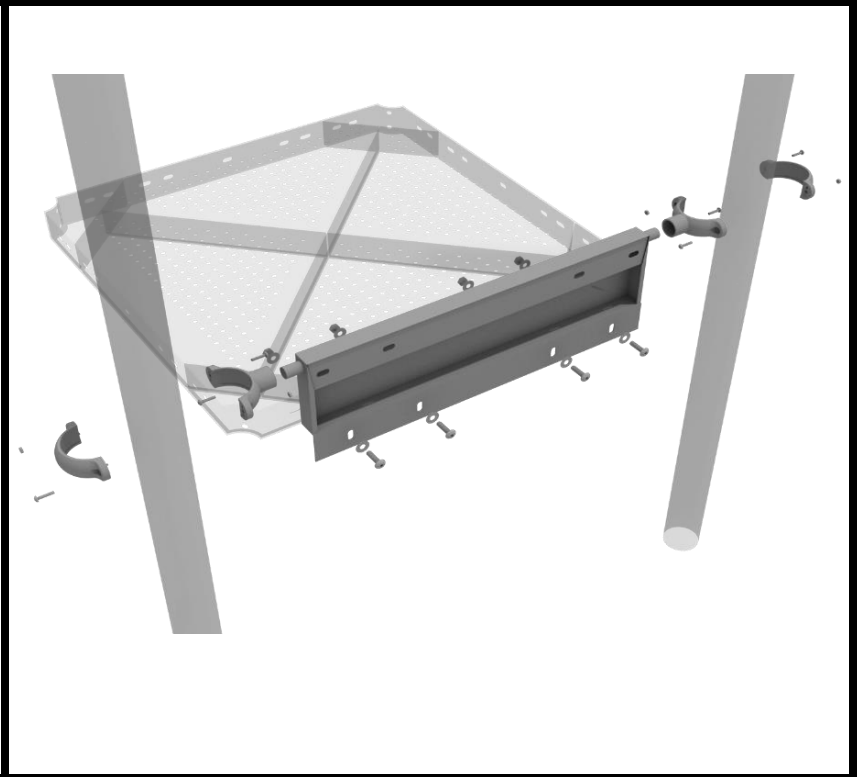
Using two (2) M8*45 bolts, two (2) M8 washer, two (2) M12 washers, and one (1) M12 inner hex spiral nut, attach the slide to the slide hood. Repeat this process for the other side of the slide.



Spiral Slide Installation

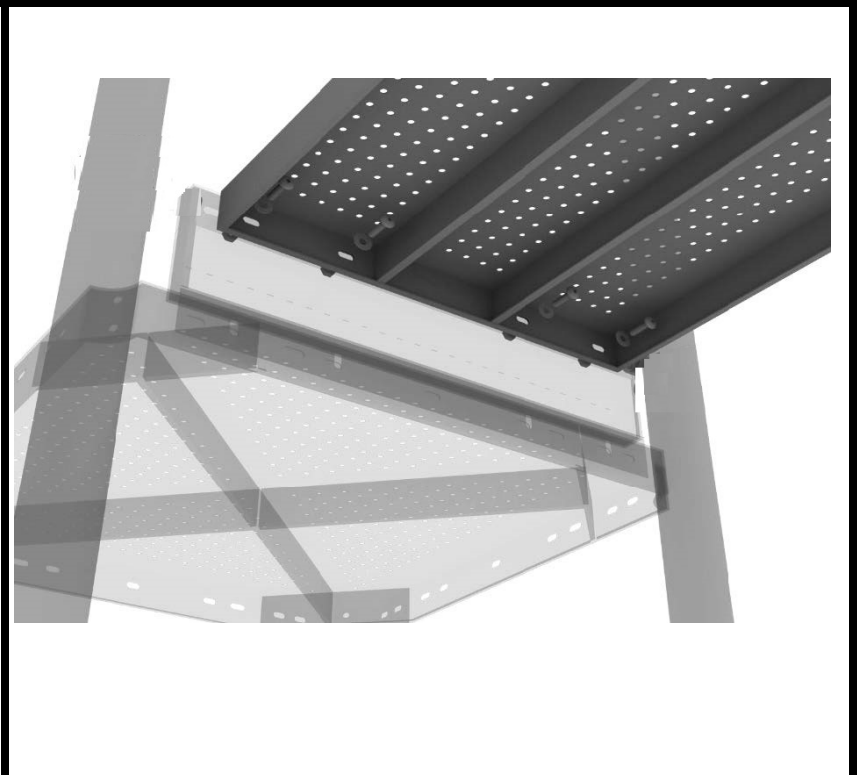
STEP: 1

Attach the spiral slide kick plate to the proper square deck using four (4) M10*25 bolts, eight (8) M10 washers, four (4) M10 lock nuts.



STEP: 2

Attach the spiral slide deck to the top of the spiral slide kick plate using four (4) M10*25 bolts, eight (8) M10 washers, and four (4) M10 lock nuts.



10859 Washington St. Suite
200, Indianapolis, IN
1-800-667-0097

Created By: Derick H
Date: 01/05/2020

Spiral Slide Installation

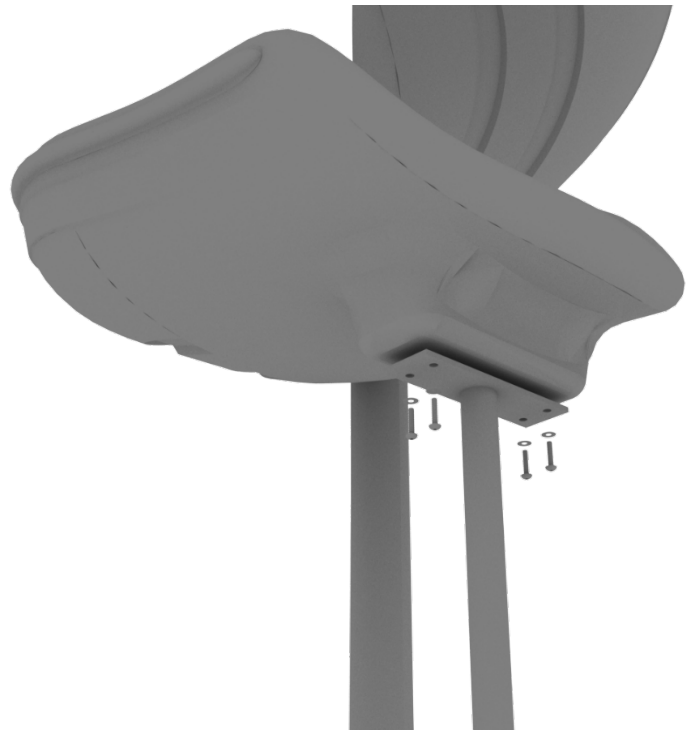
STEP: 3

Attach the Spiral Slide Deck Support Post to the Spiral Slide Deck using two (2) M10*25 Bolts, four (4) M10 Washers, and two (2) M10 Lock Nuts.



STEP: 4

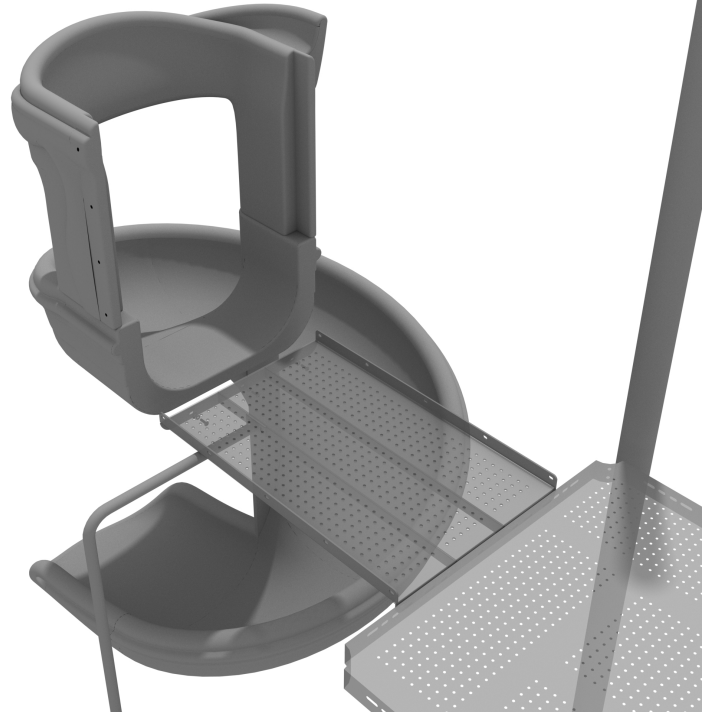
Connect the Spiral Slide Mount to the bottom of the Spiral Slide using four (4) M10*20 Bolts, four (4) M10 Spring Gaskets, and four (4) M10 Washers. Refer to the General Installation Guide for information on slide footings.



Spiral Slide Installation

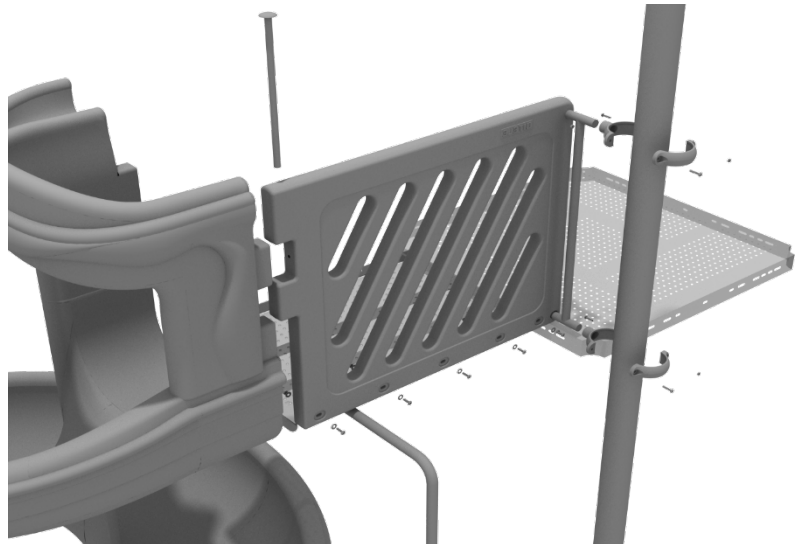
STEP: 5

See general installation guide regarding footing information for slides and support posts. Connect the Spiral Slide to the Spiral Slide Deck using three (3) M10*20 Bolts, three (3) M10 Spring Gaskets, and three (3) M10 Washers.



STEP: 6

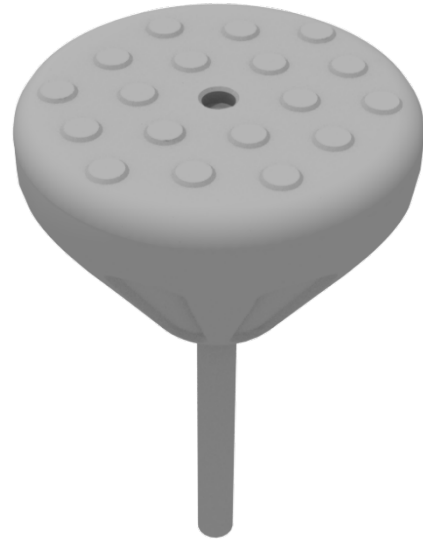
Attach the Spiral Slide Handrail to the Spiral Slide Deck using five (5) M8*60 Bolts, five (5) M8 Washers, five (5) M12 Washers, and five (5) M12 Inner Hex Nuts. Insert the Metal Pole to stabilize the connection of the handrail to the slide, then connect the handrails to the posts using two (2) tube clamps. Repeat this process for the other handrail.



Pebble Climber Installation

STEP: 1

See general installation guide regarding footing information. Pebble climber requires a 12" x 18" footing.

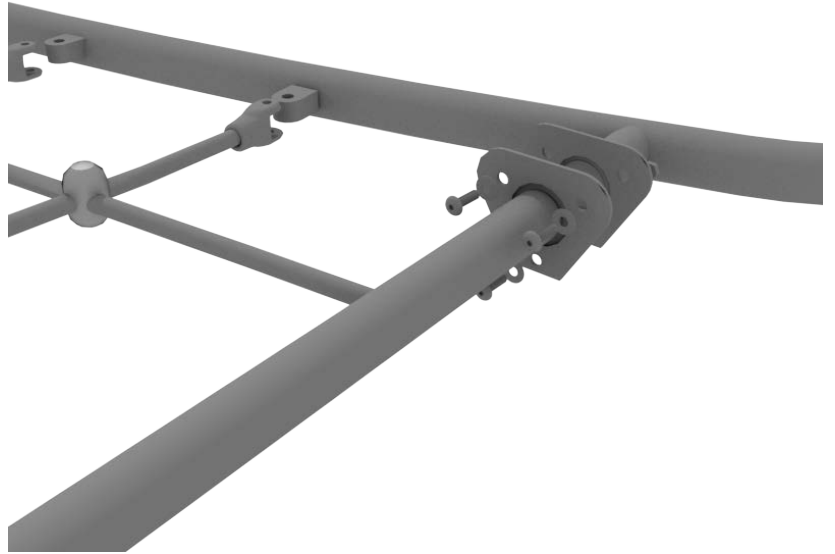


Get Physical-Overhead Net Climber Install

STEP: 1

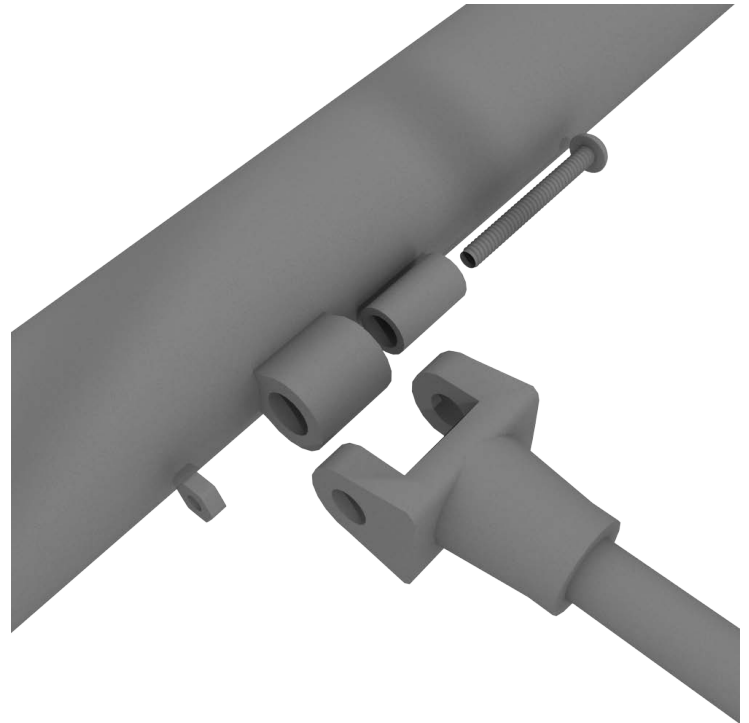
The Overhead Net Climber will attach to the support posts via the Standard Attachment Points.

For detailed info see the Standard Attachment Point guide at the beginning of this document.



STEP: 2

Connect the nets to the outer frame using one (1) M8*50 bolt, one (1) plastic spacer, and one (1) M8 lock nut for each attachment point.



PFS045-Floating Tunnel Bridge Install

STEP: 1

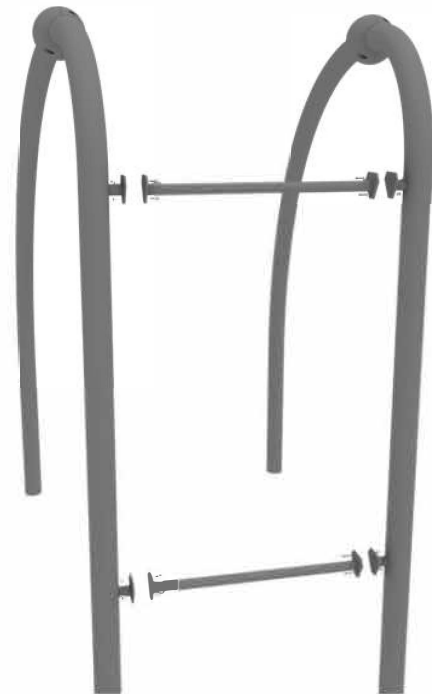
See the General Install Instructions document regarding footing information for climbers.

Connect the floating tunnel post using four (4) M12*35 bolts, eight (8) M12 washers and four (4) M12 lock nut per connection point. Once assembled loosen and attach connection cover over designated part.



STEP: 2

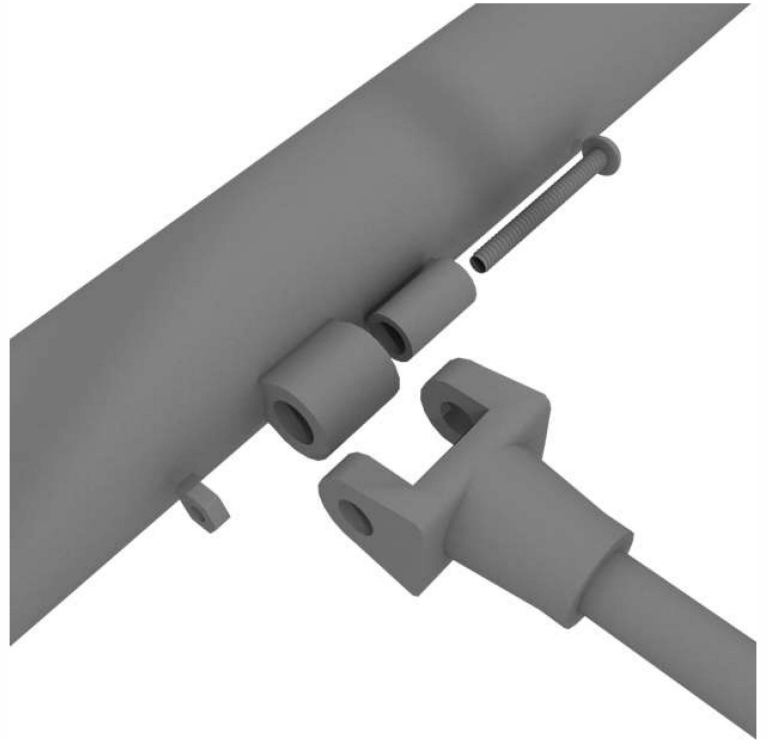
Connect connector bars designated for this structure. Use three (3) M10*25 bolts, six (6) M10 washers, and three (3) M10 lock nuts for each attachment point.



PFS045-Floating Tunnel Bridge Install

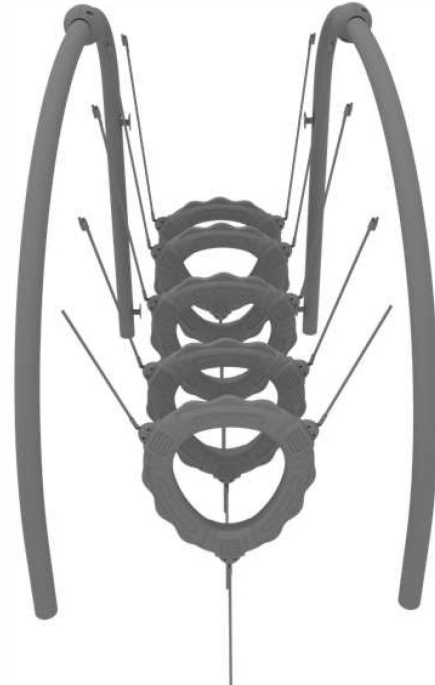
STEP: 3

Connect the floating rings to the outer frame using one (1) M8*50 bolt, two (2) plastic spacers, and one (1) M8 lock nut for each attachment point.



STEP: 4

Repeat this step for remaining floating rings.



PFS045-Floating Tunnel Bridge Install

STEP: 5

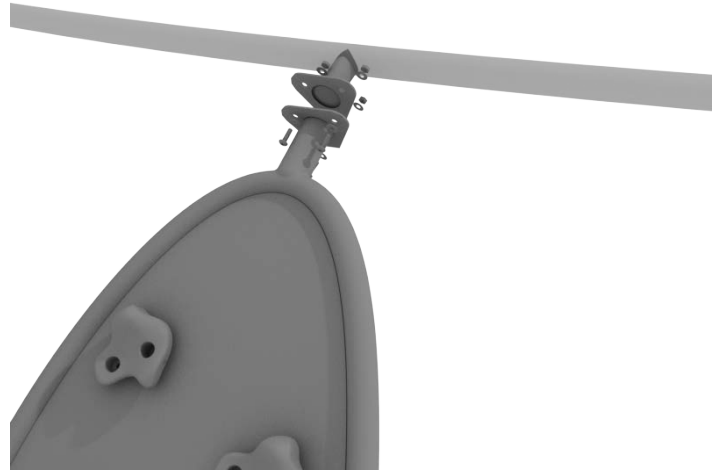
Dig suitable footings for the in-ground mount. Concrete floating ring chain with mount into place at appropriate depth. Follow guidelines from Concrete manufacturer for amount / time of curing, etc



Get Physical Arched Leaf Climber Installation

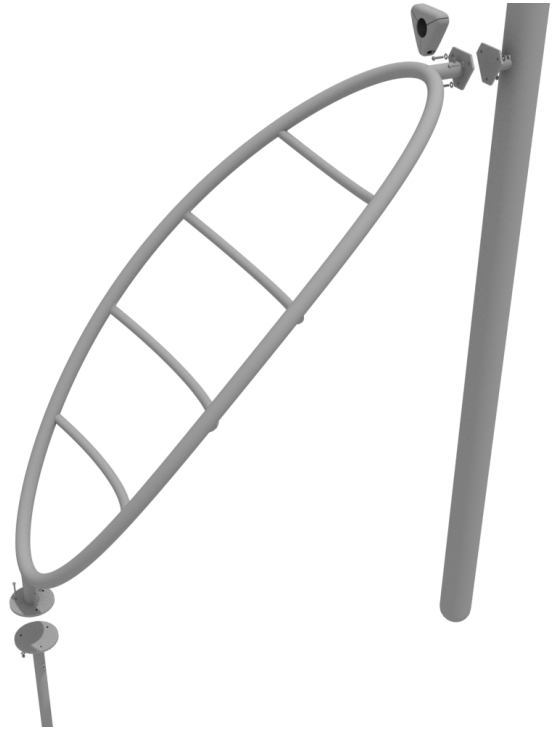
STEP: 4

Attach all points is reference to
the get physical connection install.



The Vertical Horizon will attach to the support posts via the Standard Attachment Points.

For detailed info see the Standard Attachment Point guide at the beginning of this document.



Pea Pod Climber Installation

STEP: 1

See general installation guide regarding footing information for the pea pod climber. Attach the top of the climber to the designated arch rail top bracket using one (1) M10*20 bolt, one (1) M10 spring washer, and one (1) M10 washer.



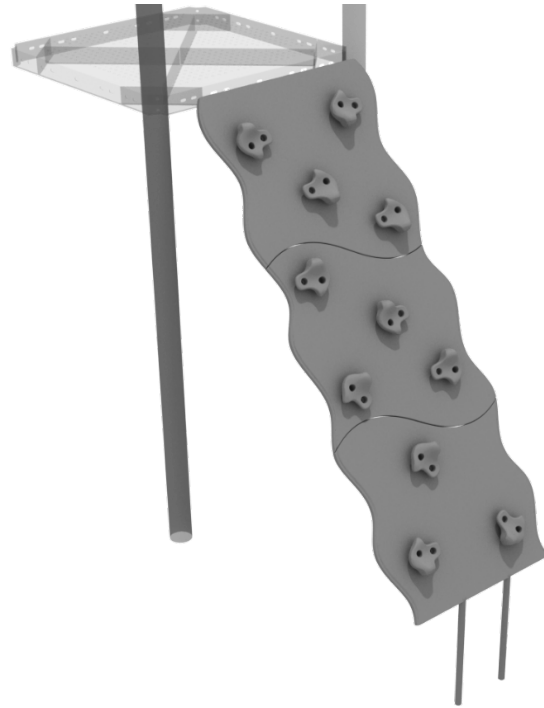
Created By: Aaron Price
Date: 03/28/2018

10859 Washington St. Suite
200, Indianapolis, IN
1-800-667-0097

PE Wavy Rock Climber Installation

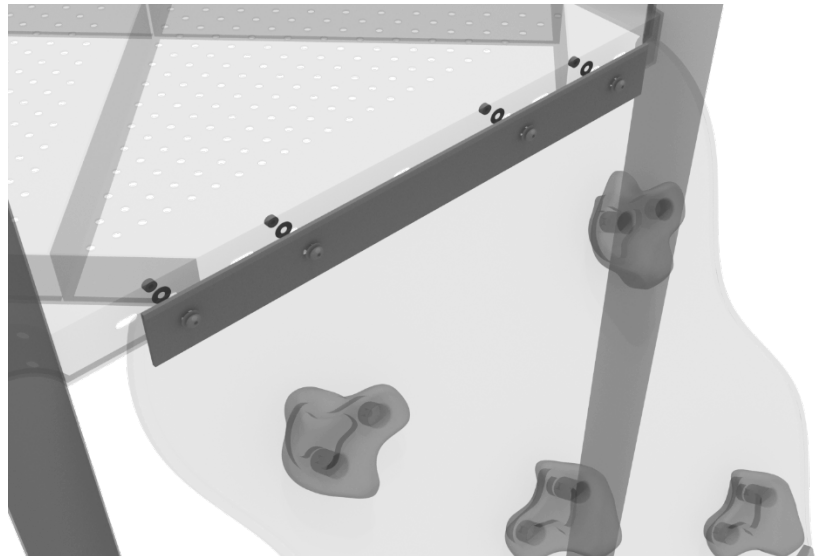
STEP: 1

See general installation guide regarding footing information for the wavy PE rock climber.



STEP: 2

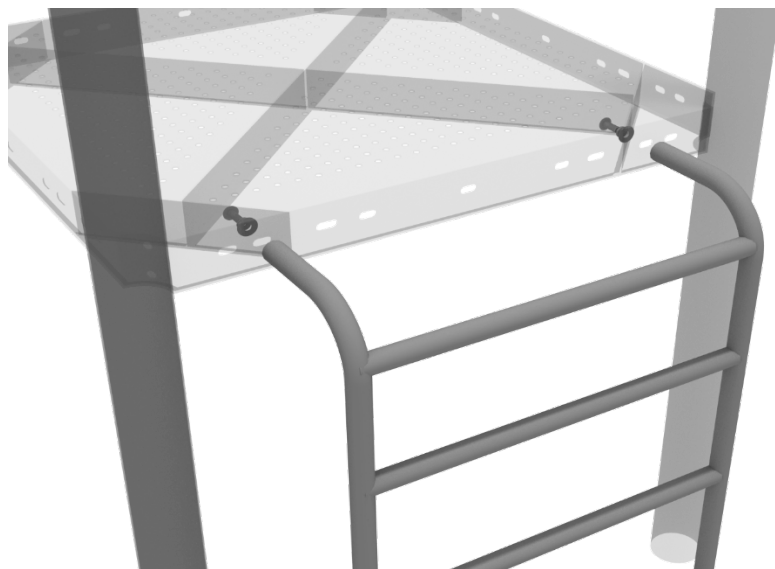
Then, using four (4) M10*55 bolts, eight (8) M10 washers, and four (4) M10 lock nuts, attach the climber to the deck.



6-Foot Vertical Ladder Installation

STEP: 1

See general installation guide regarding footing information for the 6-foot Vertical Ladder. Attach the ladder to the deck using two (2) M10*25 bolts, two (2) M10 spring washers, and two (2) M10 washers.



Double Tilted Lilly Pad Bridge Install

STEP: 1

Connect the two Arched top rails to the end posts via the Standard Get Physical Attachment points.

Refer to the Standard Attachment Point guide for more details on how to connect.



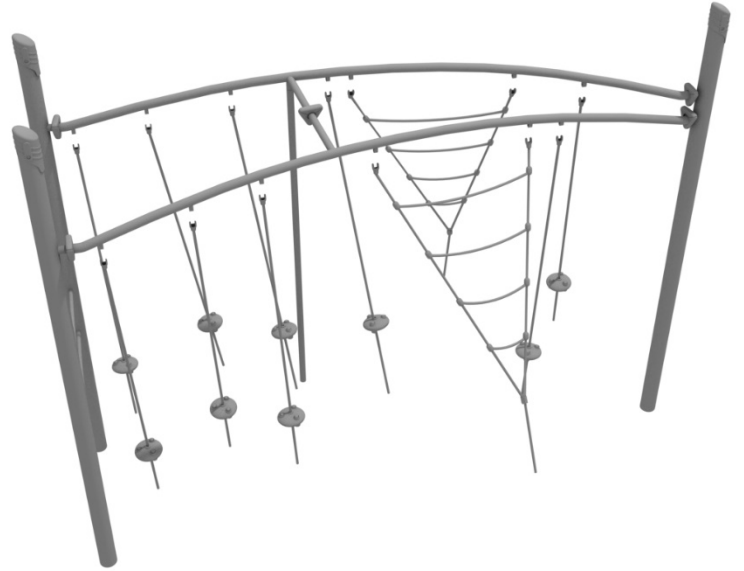
STEP: 2

Attach the support post to the top rail by using one (1) M8*50 bolt, two (2) M8 Washers, and one (1) M8 lock nut.



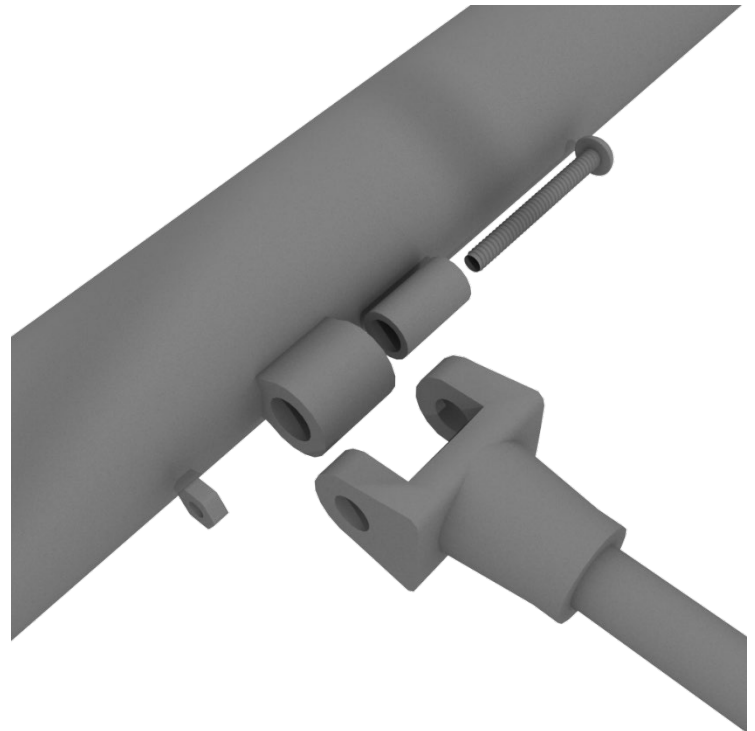
STEP: 3

Align the Net components with the appropriate attachment points on the top rails.



STEP: 4

Connect the net pieces to the top rail components using one (1) M8*50 bolt, one (1) plastic spacer, and one (1) M8 lock nut for each attachment point.

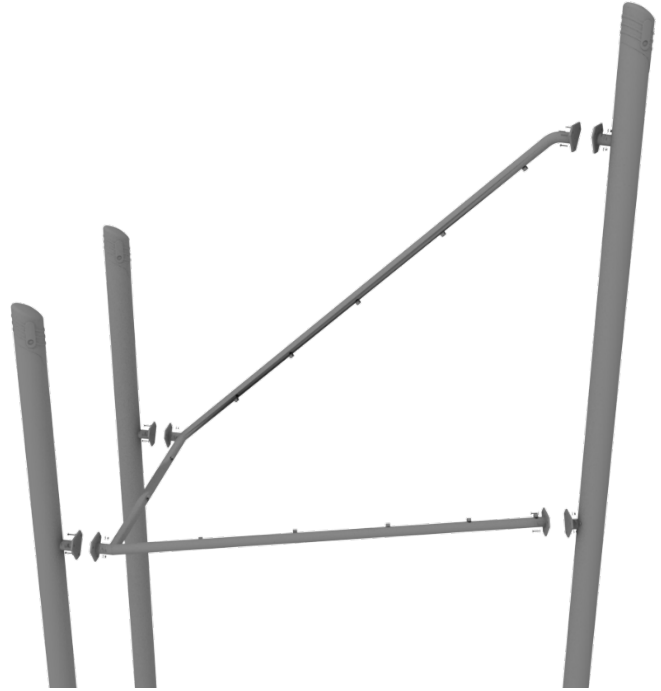


Get Physical Series –Twisted Net Climber Install

STEP: 1

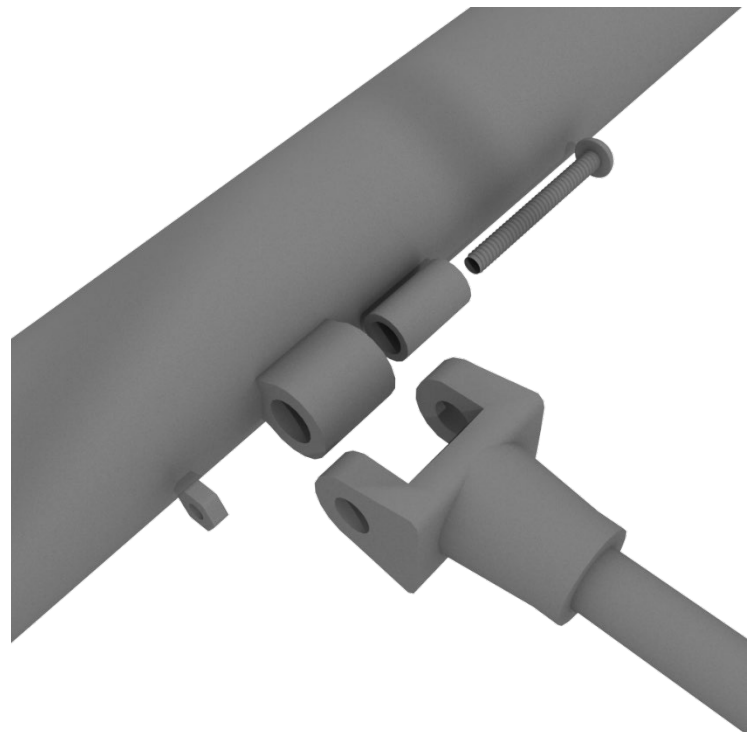
Connect the outer frame of the Twisted Net Climber to the appropriate posts, and mark ground for footing locations. The Twisted Net Climber uses the Standard Attachment points to connect to the posts.

Refer to the Standard Attachment Point guide for more details on how to connect.



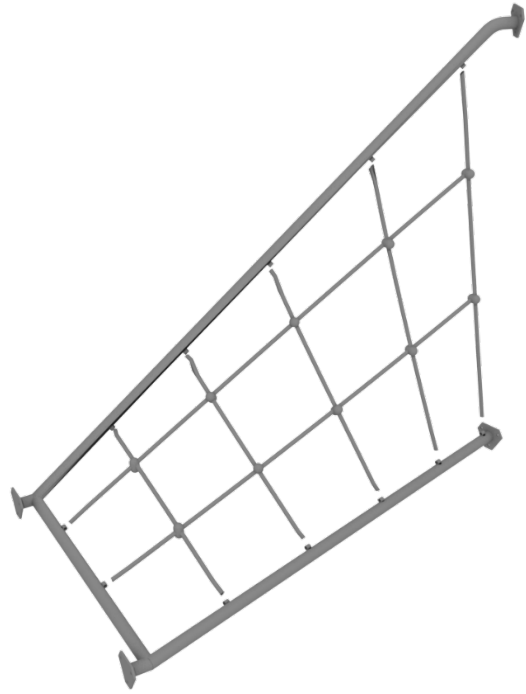
STEP: 2

Connect the net to the outer frame using one (1) M8*50 bolt, one (1) plastic spacer, and one (1) M8 lock nut for each attachment point.



STEP: 3

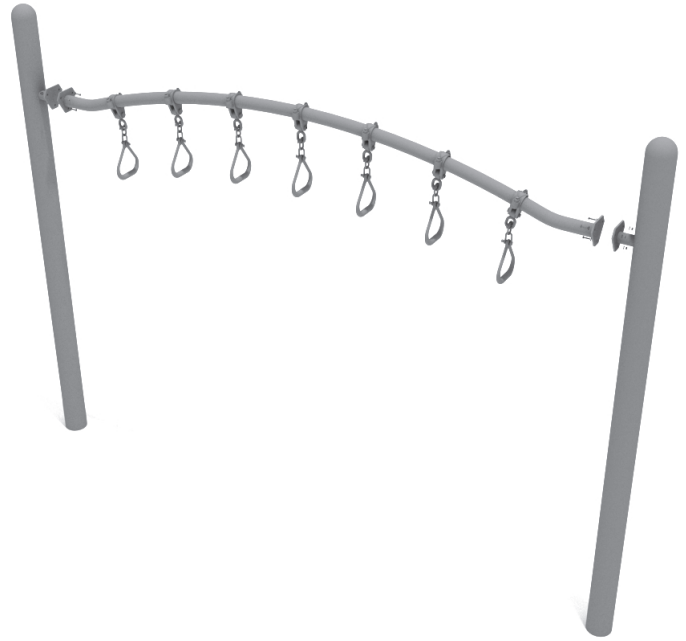
Ensure that all connection point on the net are secured to the outer frame.



Arched Swinging Rings Installation

Connect the swinging rings arched ladder to the appropriate post via the Standard Attachment Points.

Please refer to the Standard Attachment Point Install section for more detailed information.

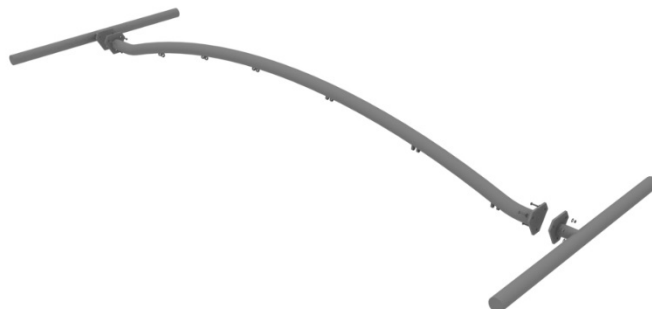


Get Physical Series – Tilted Pebble Bridge Install

STEP: 1

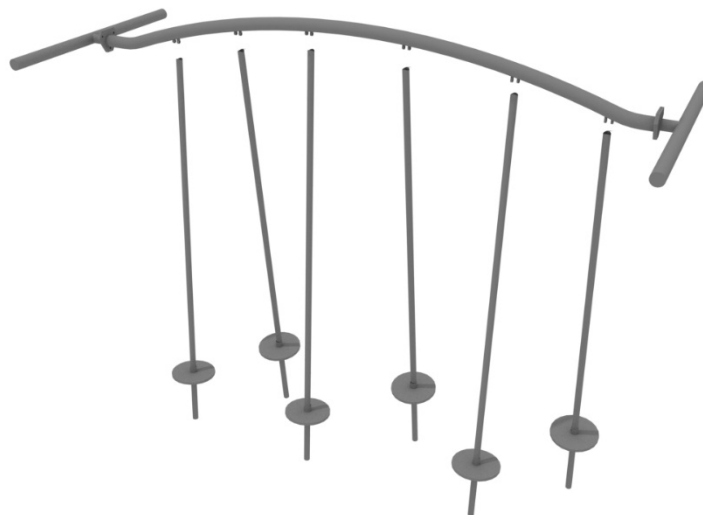
Connect the Tilted Pebble Bridge top rail to the appropriate posts via the Standard Attachment Point.

Refer to the Standard Attachment Point install section for more detailed information.



STEP: 2

Dig suitable footings for each of the pebble steps. Please refer to the footing section for climbers in the General Installation Instructions document.



Get Physical Series – Tilted Pebble Bridge Install

STEP: 1

STEP: 3

Each of the pebble steps will attach to the top rail using one (1) M10*55 bolt, two (2) M10 washers, and one (1) M10 lock nut.

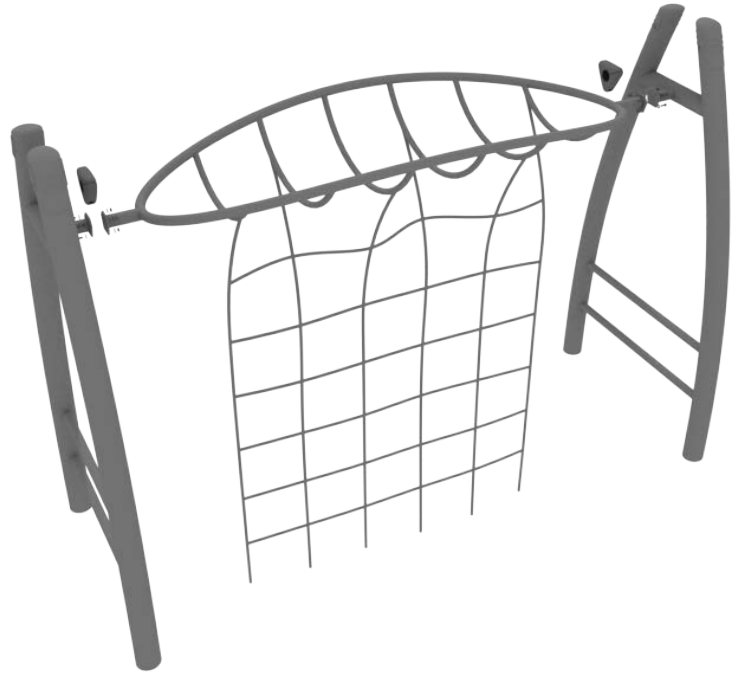


Get Physical Series – Overhead Horizon Net Climber Curve Post Install

STEP: 2

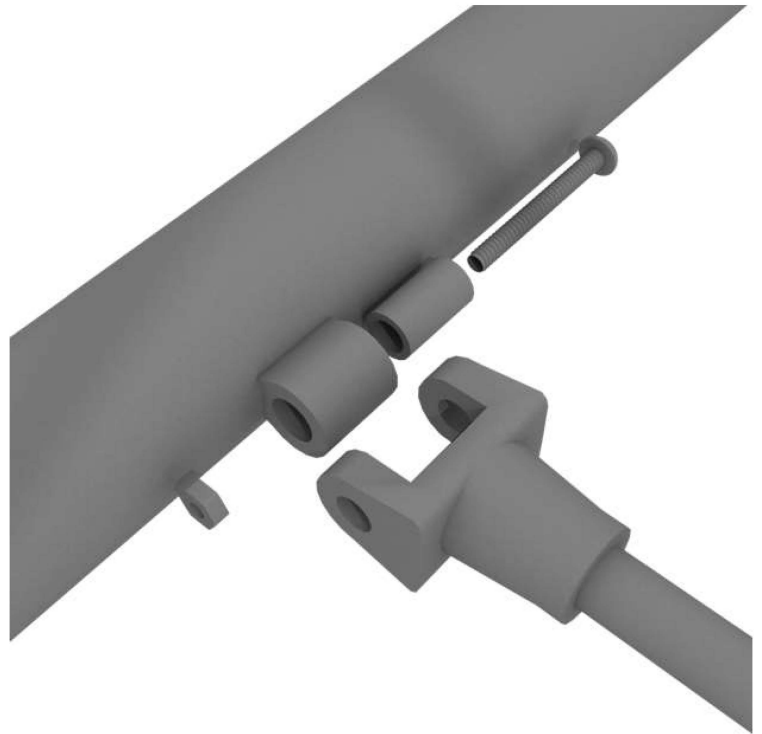
Connect the Overhead Horizon Net Climber to the appropriate posts via the Standard Attachment Point.

Refer to the Standard Attachment Point install section for more detailed information.



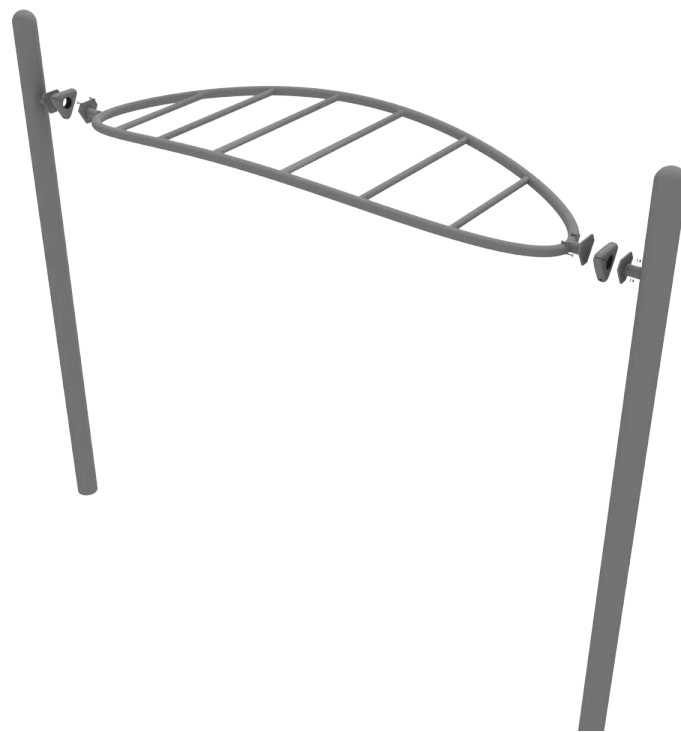
STEP: 2

Connect the Net to the outer frame using one (1) M8*50 bolt, two (2) plastic spacers, and one (1) M8 lock nut for each attachment point.



Connect the Overhead Horizon Climber to the appropriate posts via the Standard Attachment Point.

Refer to the Standard Attachment Point install section for more detailed information.



Get Physical Series –Curved Floating Bridge Install

STEP: 1

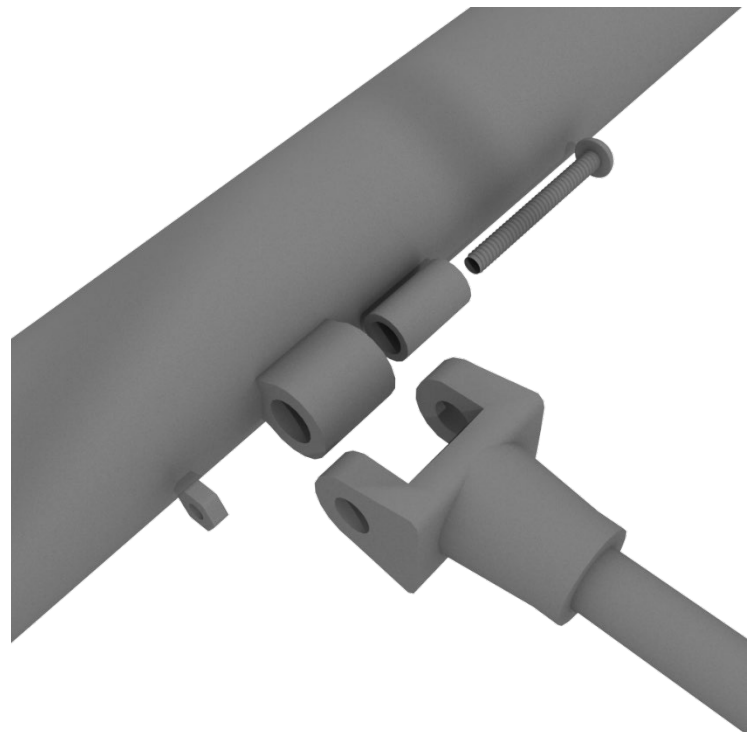
Connect the rails of the Curved Floating Bridge to the appropriate posts, and mark ground for footing locations. The Curved Floating Bridge uses the Standard Attachment points to connect to the posts.

Refer to the Standard Attachment Point guide for more details on how to connect.



STEP: 2

Connect the net to the outer frame using one (1) M8*50 bolt, one (1) plastic spacer, and one (1) M8 lock nut for each attachment point.



STEP: 3

Ensure that all connection points on the net are secured to each of the rails and bridge.



Get Physical- V Connector Install

STEP: 1

The V Connection will attach to the support posts via the Standard Attachment Points.

For detailed info see the Standard Attachment Point guide at the beginning of this document.

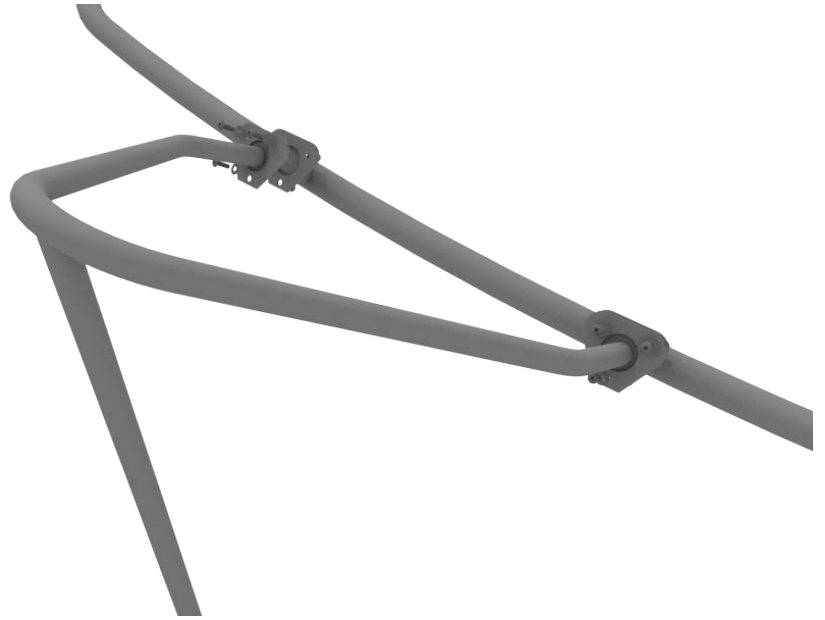


Get Physical- V Connector Pod Climber Install

STEP: 1

The V Connection will attach to the support posts via the Standard Attachment Points.

For detailed info see the Standard Attachment Point guide at the beginning of this document.



Get Physical- V Connector Fire Fighter Pole Install

STEP: 1

The V Connection will attach to the support posts via the Standard Attachment Points.

For detailed info see the Standard Attachment Point guide at the beginning of this document.



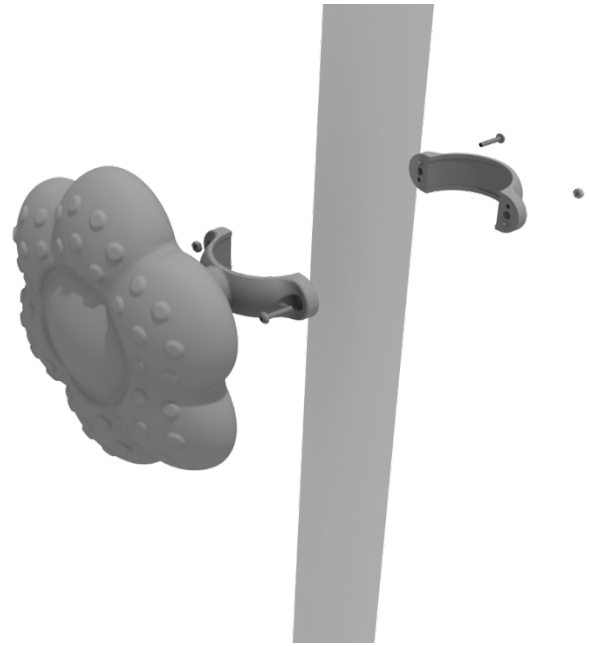
Rain Wheel Installation

Detach half of the tube clamp connected to the Rain Wheel, and re-attach the clamp around the support post, as shown in the picture.

Recommended install height is 20 to 36 inches above surfacing depending on age range.

We recommend using Thread-locking fluid on bolts connecting Rain wheel to clamp to prevent hardware from loosening over time.

(Thread-locker not supplied)

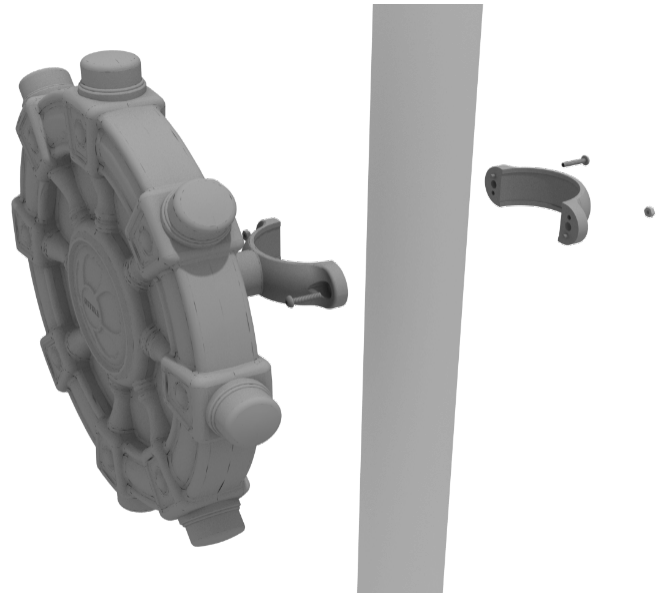


Ships Wheel Installation

Detach half of the tube clamp connected to the Ships Wheel, and re-attach the clamp around the support post, as shown in the picture. Recommended install height is 20 to 36 inches above surfacing depending on age range.

We recommend using Thread-locking fluid on bolts connecting Ship's wheel to clamp to prevent hardware from loosening over time.

(Thread-locker not supplied)

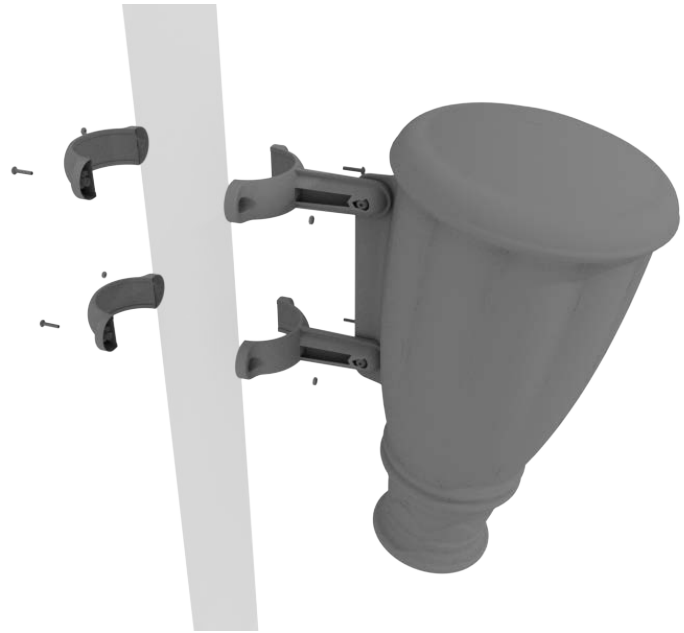


Single Drum Installation

Detach half of the tube clamps connected to the Single Drum, and re-attach the clamps around the support post, as shown in the image. Recommended install height is 20 to 36 inches above surfacing depending on age range.

We recommend using Thread-locking fluid on bolts connecting Single Drum to clamp to prevent hardware from loosening over time.

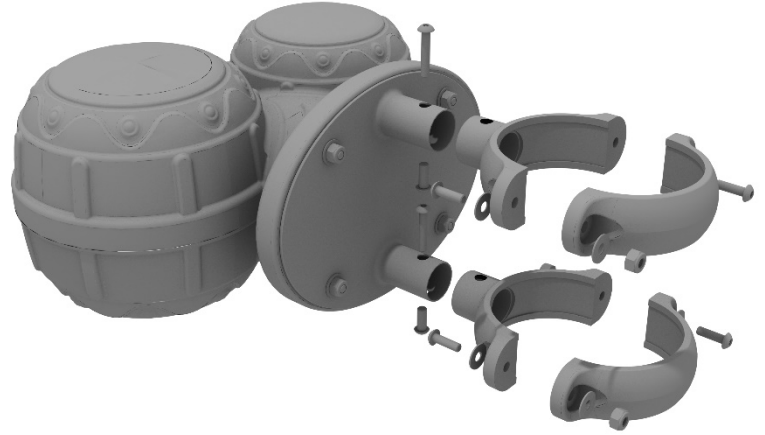
(Thread-locker not supplied)



Bongos Installation

STEP: 1

Detach half of the tube clamps connected to the Bongos, and re-attach the clamp around the desired support post. Recommended install height is 20 to 36 inches above surfacing depending on age range.



Hex Roof Install

STEP: 1

To attach a hex roof, bolt the plastic post caps to the bottom of the roof using six (6) M8*20 bolts, and six (6) M8 washers. Then place the roof on top of the posts and screw the caps onto the post using eighteen (18) M3*16 self-tapping screws.

