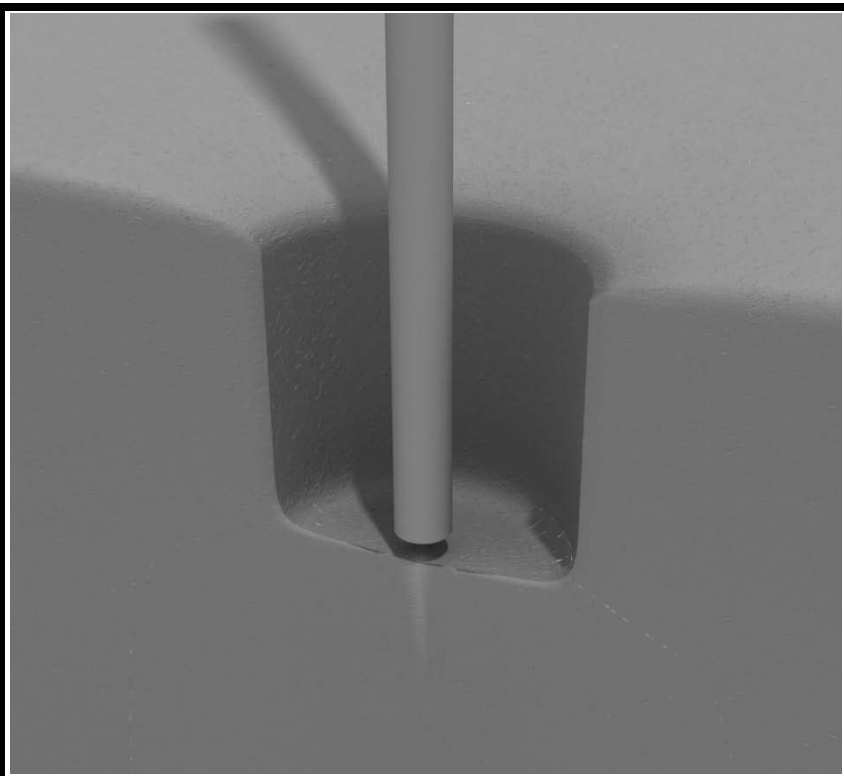


STEP: 1

**DO NOT CEMENT POSTS INTO PLACE
UNTIL THE ENTIRE STRUCTURE IS
ASSEMBLED.**

Refer to the General Installation
guide footing information and dig
proper holes for the support posts.



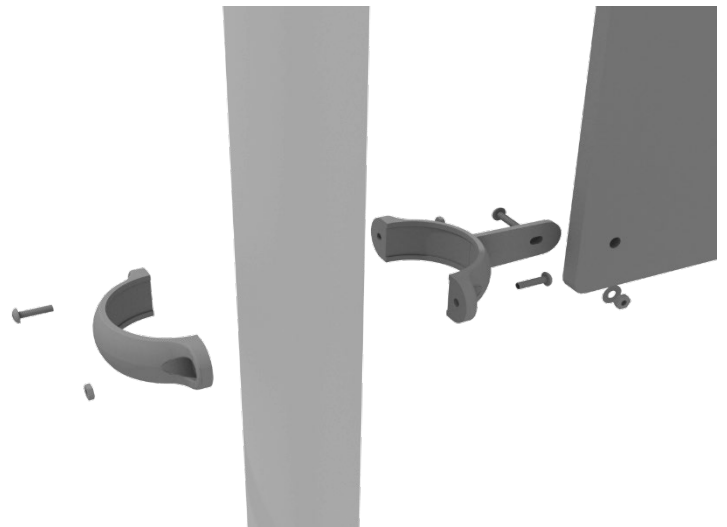
4.5-inch Clamp Installation Examples

The following two pages will include examples of how to install some of the most common types of Clamps that are present on our structures that use 4.5-inch outside diameter posts. The structure that you are assembling might not require all the types of clamps listed in these examples.

The Install Guides for specific components that come later in this document might call for a specific type of clamp (a tube clamp for example), those sections will not include detailed instructions for the clamps and should direct you back to this section for more detailed information.

4.5-inch Flat Clamp Installation Example

Connect half of the flat clamp to the component using one (1) M8*30 bolt and Lock Nut. Then, using the other half of the flat clamp and the hardware provided in the clamp hardware bag, attach the backside of the flat clamp around the post.



4.5-inch Clamp Installation Examples

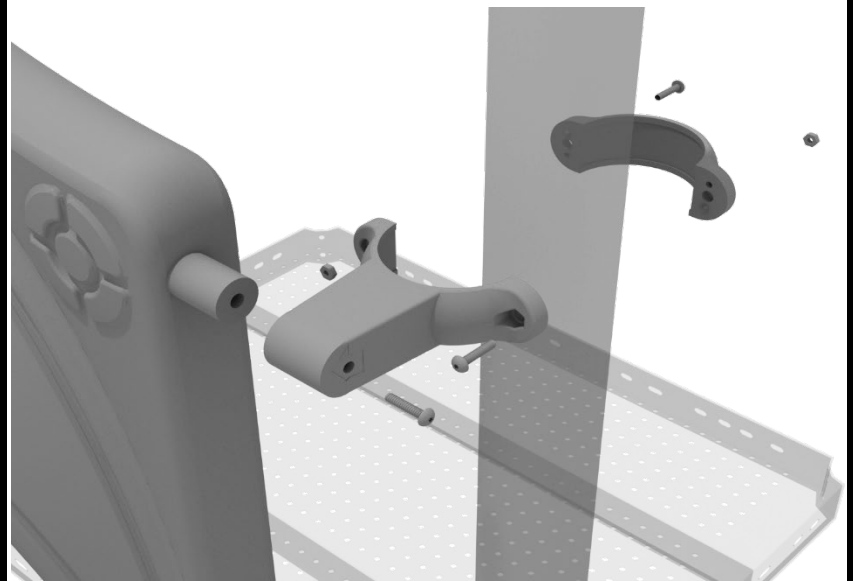
4.5-inch Tube Clamp Installation Example

Insert Bar on Component into one half of the Tube Clamp and attach with M4*25 Set Screw. Then, using the other half of the tube clamp and the hardware provided in the clamp hardware bag, attach the backside of the tube clamp around the post.



4.5-inch Double Slide Clamp Installation Example

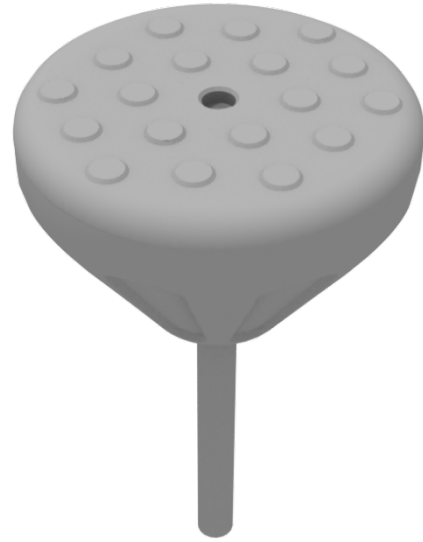
Connect half of the double slide clamp to the double slide hood using one (1) M8*30 bolt. Then, using the other half of the clamp and the hardware provided in the clamp hardware bag, attach the backside of the double slide clamp around the post.



Pebble Climber Installation

STEP: 1

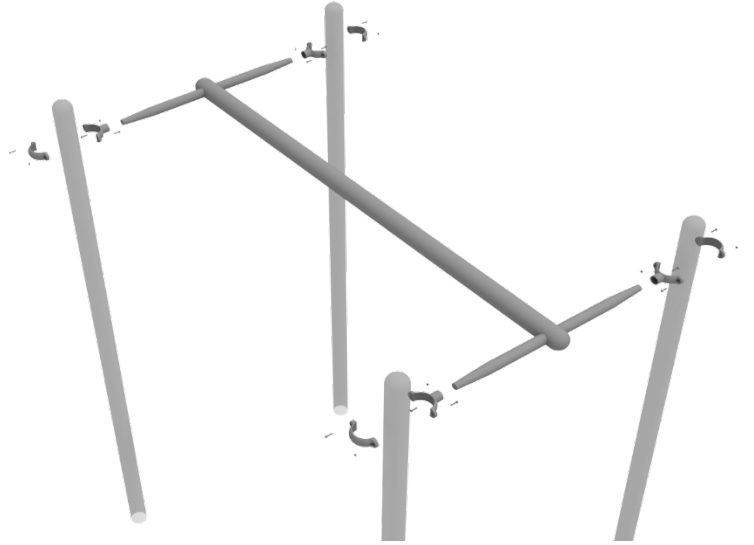
See general installation guide regarding footing information. Pebble climber requires a 12" x 18" footing.



Pebble Bridge Install

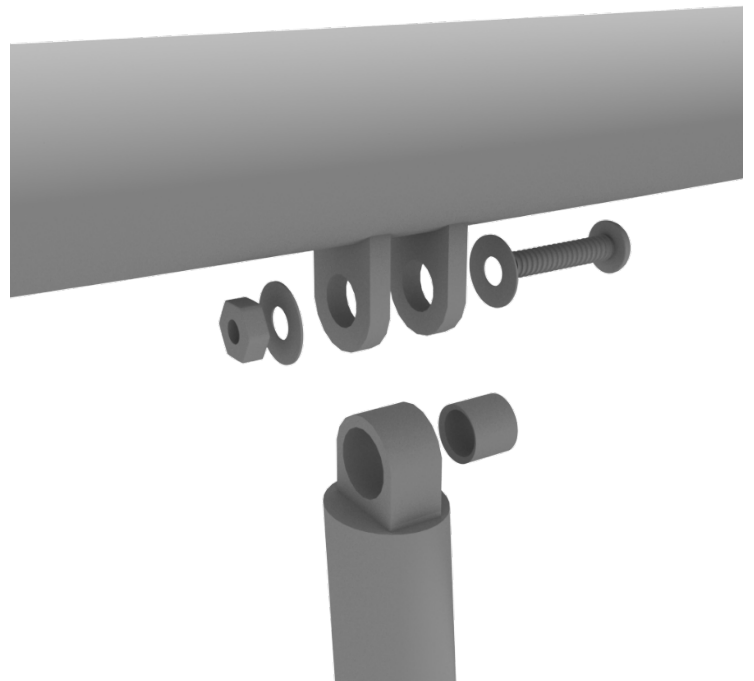
STEP: 1

Attach the Overhead Ladder to the designated posts by connect half of the tube clamp to the ladder using one (1) M8*30 bolt. Repeat this process for each attachment point. Set the ladder into place, then attach the second half of the clamp around the post.



STEP: 2

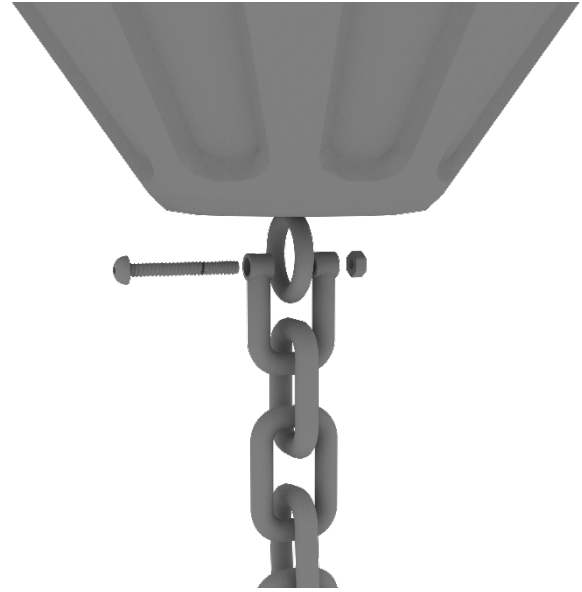
Line up the pebble bridge steps with the pebble bridge top rail and dig footings for each step. Place the step in to the footing and attach to the top rail using one (1) M10*55 bolt, one (1) M10 lock nut, two (2) M10 washers, and one (1) plastic spacer. Repeat this step for each pebble step.



Pebble Bridge Install

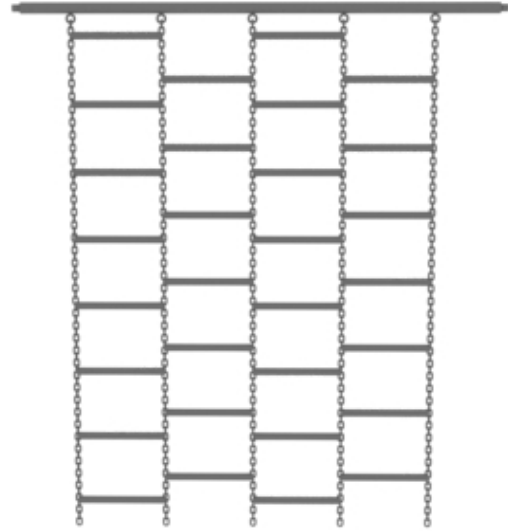
STEP: 3

Attach the chain to the bottom of each pebble step, lower the chain into the proper hole, and cement chain into place.



Chain Climber Install

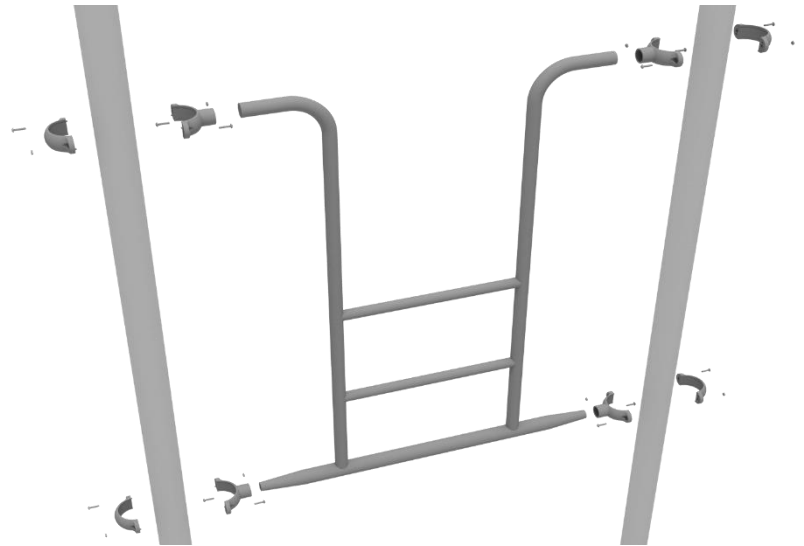
Connect the Chain Climber top rail to the appropriate posts via the Standard Attachment Point. Connect chain to top rail by using one (1) M10*55 bolt, two (2) M10 washers, one (1) spacer and one one (1) M10 lock nut. Connect chain climber to ground mount by loosening attached hardware on chain. Please refer to the footing section for climbers in the General Installation Instructions document.



Overhead Access Ladder Installation

STEP: 1

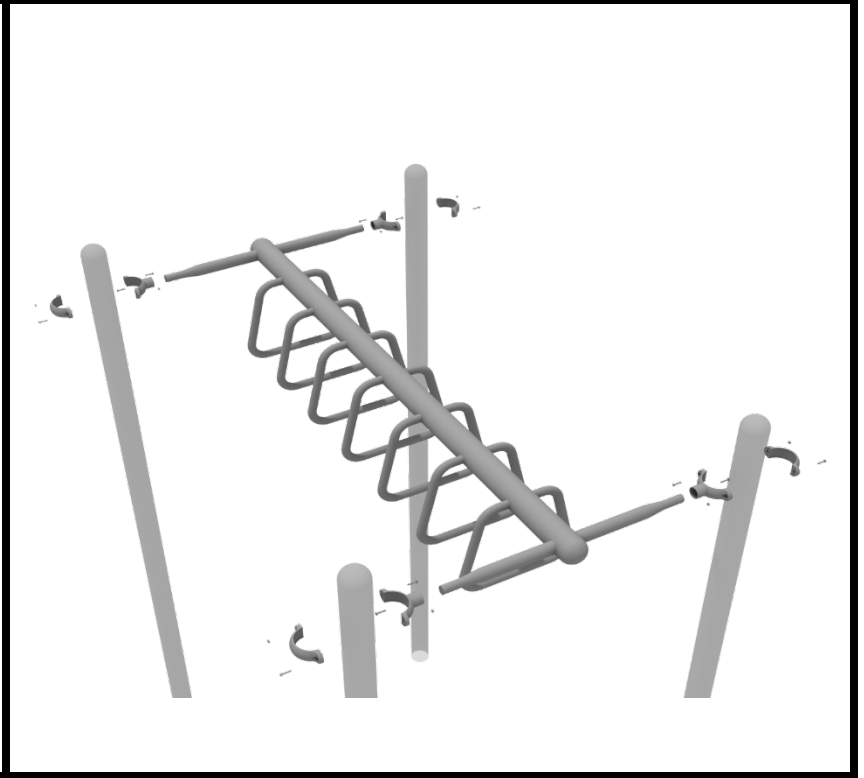
Attach the Overhead Access Ladder to the designated posts by connect half of the tube clamp to the ladder using one (1) M8*30 bolt. Repeat this process for each attachment point. Set the ladder into place, then attach the second half of the clamp around the post.



Overhead Straight Trapezoid Installation

STEP: 1

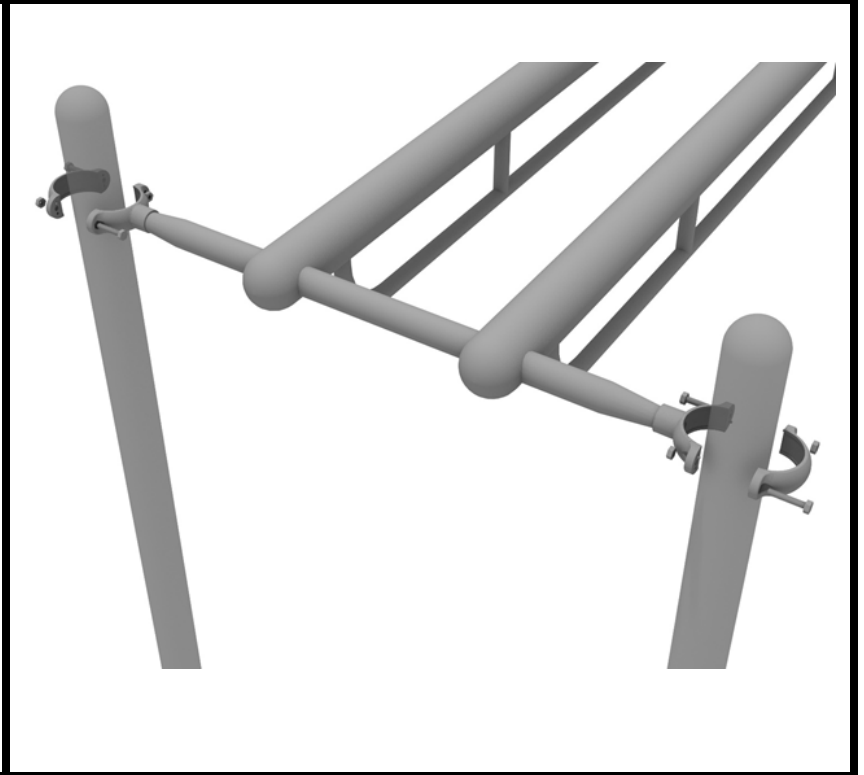
Attach the Overhead Straight Trapezoid Ladder to the designated posts by connect half of the tube clamp to the ladder using one (1) M8*30 bolt. Repeat this process for each attachment point. Set the ladder into place, then attach the second half of the clamp around the post.



Overhead Double Parallel Bar Installation

STEP: 1

Attach the Overhead Double Parallel Bar Ladder to the designated posts by connecting half of the tube clamp to the ladder using one (1) M8*30 bolt. Repeat this process for each attachment point. Set the ladder into place, then attach the second half of the clamp around the post.



Swinging Rings Install

STEP: 1

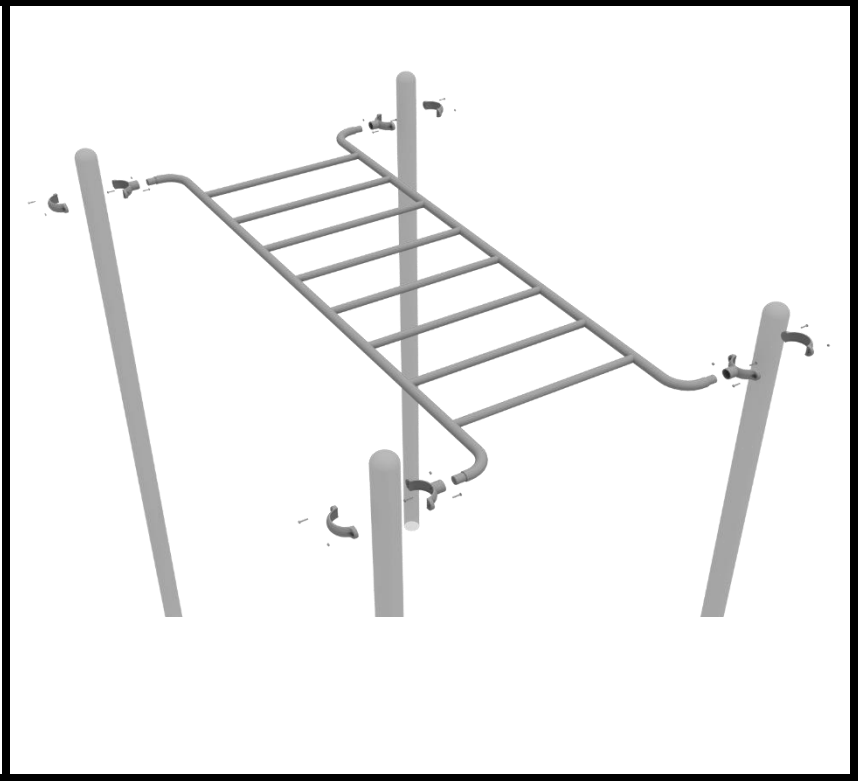
Connect the Swinging Rings Bar to the designated post using two (2) 3.5-inch tube clamps.



Straight Rung Overhead Ladder Installation

STEP: 1

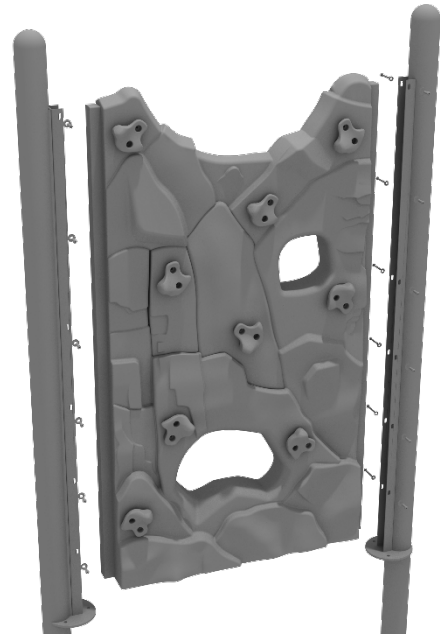
Attach the Overhead Straight Ladder to the designated posts by connect half of the tube clamp to the ladder using one (1) M8*30 bolt. Repeat this process for each attachment point. Set the ladder into place, then attach the second half of the clamp around the post.



STEP: 1

Refer to the General Installation Instructions footing section for information on climber footings.

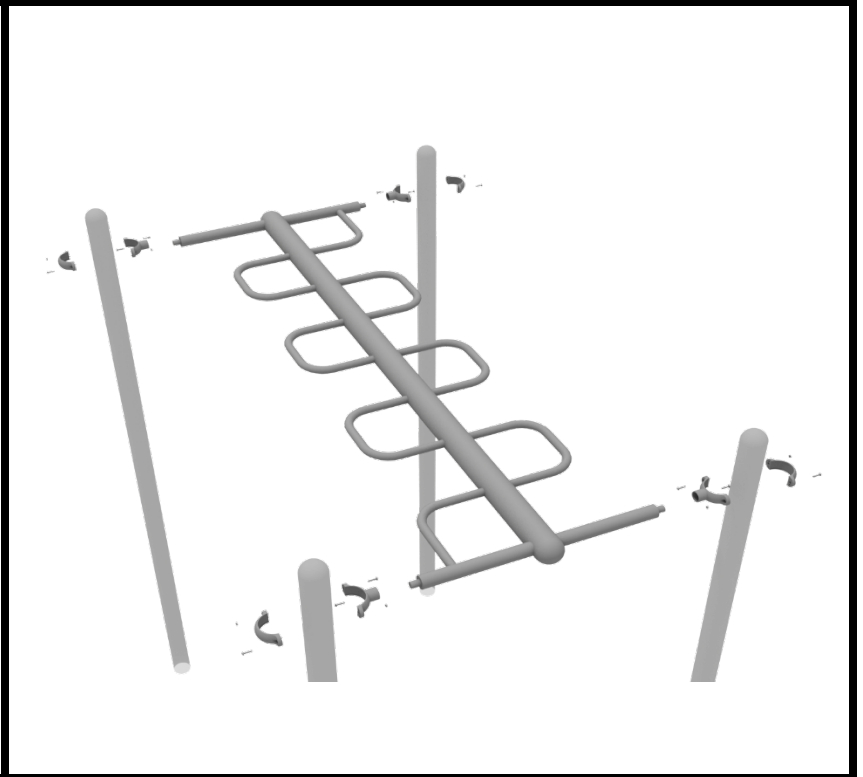
The Craggy Climber Straight Section attaches on both ends. Each connection point uses seven (7) M12 barrel nuts, seven (7) M8*60 bolts, seven (7) M12 washers, and seven (7) M8 washers.



Overhead Snake Loop Ladder Installation

STEP: 1

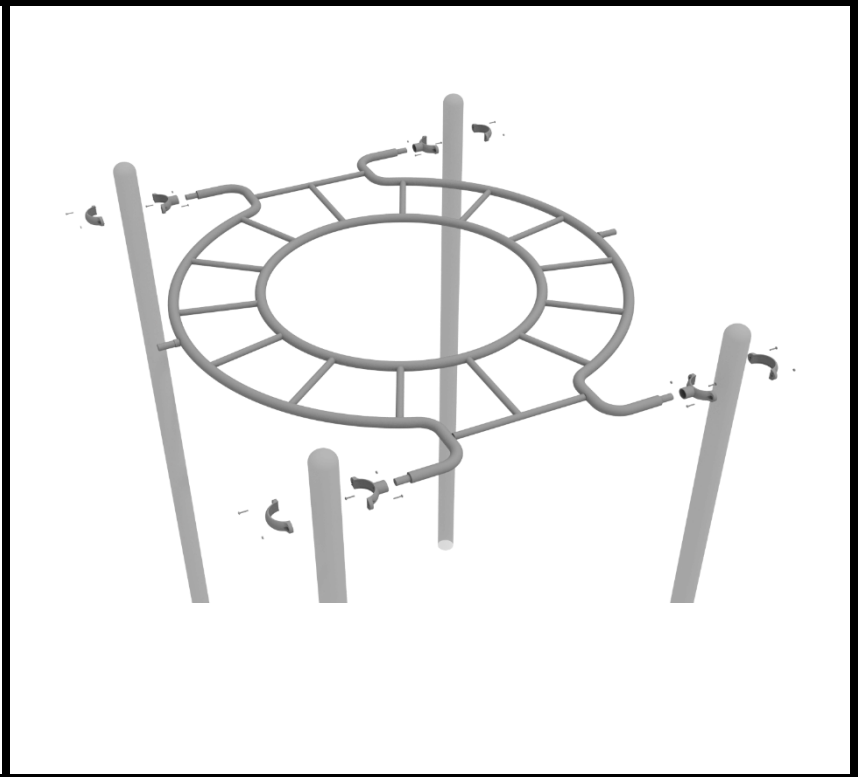
Attach the Overhead Snake Ladder to the designated posts by connect half of the tube clamp to the ladder using one (1) M8*30 bolt. Repeat this process for each attachment point. Set the ladder into place, then attach the second half of the clamp around the post.



Overhead Circle Rung Ladder Installation

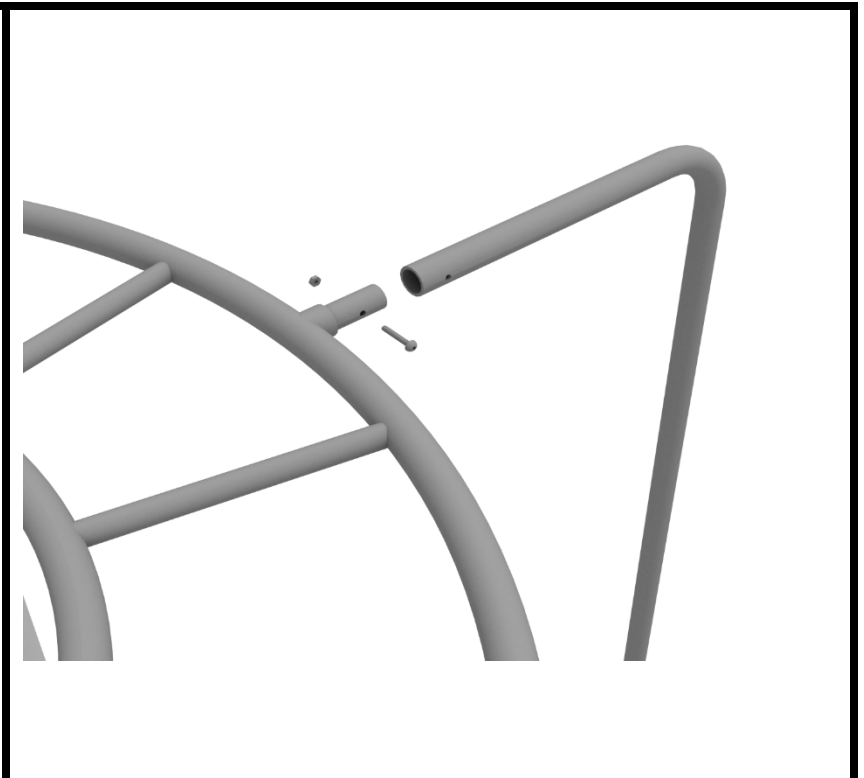
STEP: 1

Attach the Overhead Ladder to the designated posts by connect half of the tube clamp to the ladder using one (1) M8*30 bolt. Repeat this process for each attachment point. Set the ladder into place, then attach the second half of the clamp around the post.



STEP: 2

See general installation guide regarding footing information for the climber support post. Using one (1) M10*50 bolt and one (1) M10 lock nut, attach the climber support to the overhead climber.



Get Physical Series – Horizontal 3-Wheel Overhead Spinner Install

Connect the 3-Wheel Overhead Spinner to the appropriate posts via the Standard Attachment Point.

Refer to the Standard Attachment Point install section for more detailed information.

