

STEP: 1

**DO NOT CEMENT POSTS INTO PLACE
UNTIL THE ENTIRE STRUCTURE IS
ASSEMBLED.**

Refer to the General Installation
guide footing information and dig
proper holes for the support posts.



10859 E Washington St. Suite 200
Indianapolis, IN 46229
1-800-667-0097

Created By: Aaron Price
Date: 04/26/2018

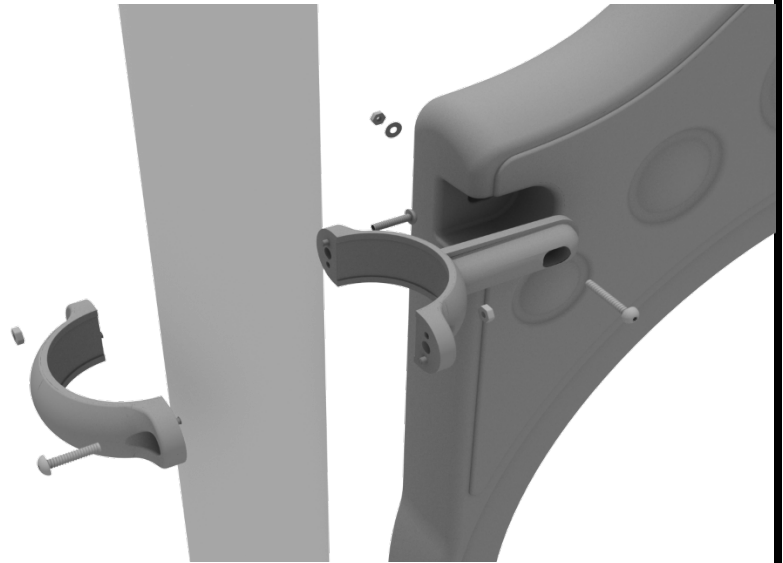
3.5-inch Clamp Installation Examples

The following three pages will include examples of how to install some of the most common types of Clamps that are present on our structures that use 3.5-inch outside diameter posts. The structure that you are assembling might not require all the types of clamps listed in these examples.

The Install Guides for specific components that come later in this document might call for a specific type of clamp (a tube clamp for example), those sections will not include detailed instructions for the clamps and should direct you back to this section for more detailed information.

3.5-inch Flat Clamp Install Example

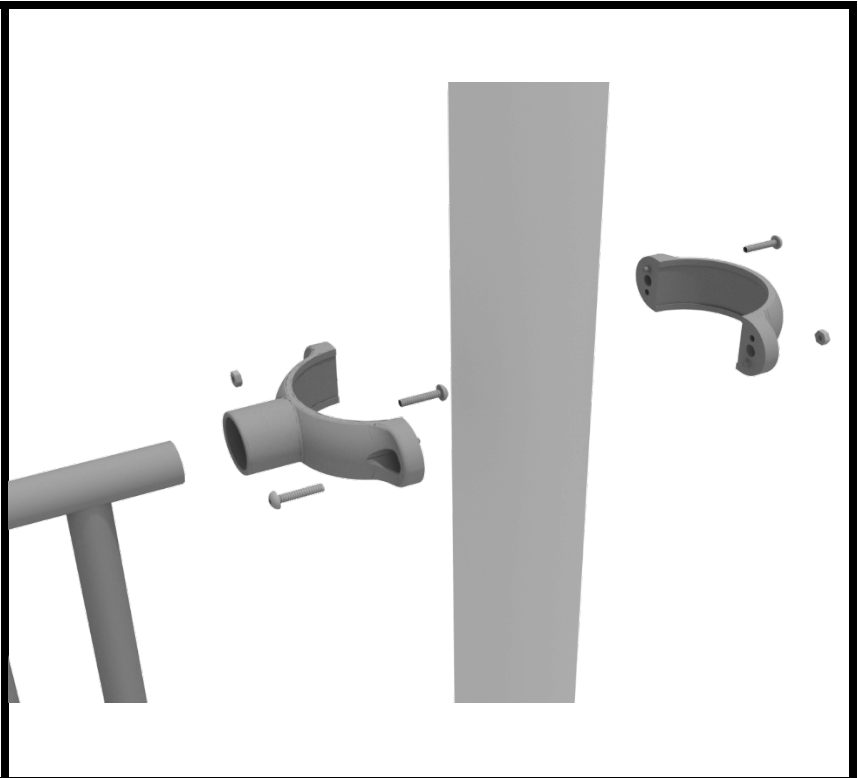
Connect half of the flat clamp to the component using one (1) M8*40 bolt. Then, using the other half of the flat clamp and the hardware provided in the clamp hardware bag, attach the backside of the flat clamp around the post.



3.5-inch Clamp Installation Examples

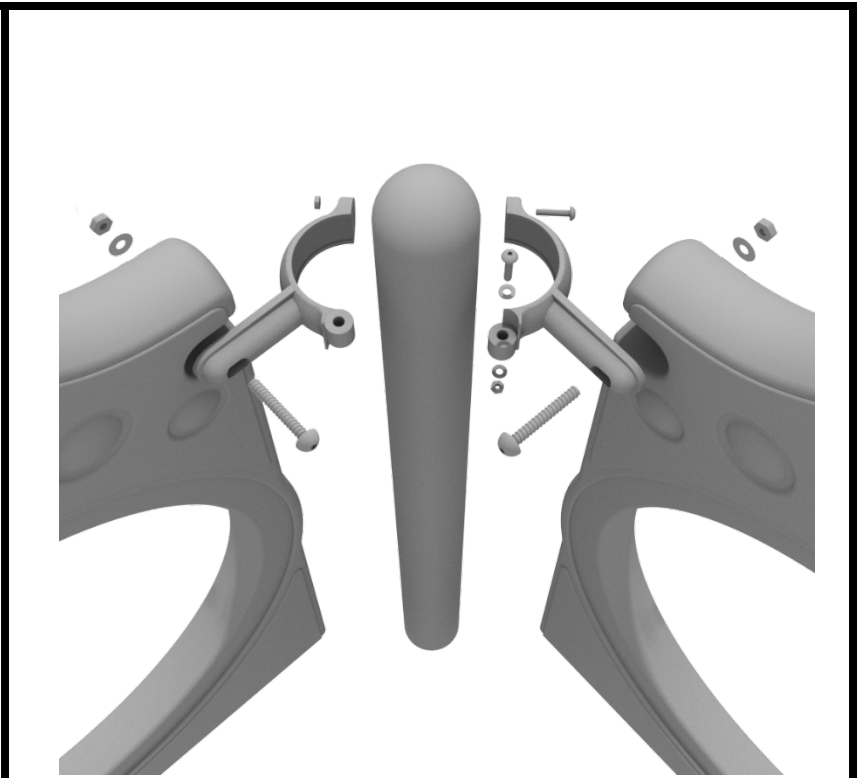
3.5-inch Tube Clamp Install Example

Connect half of the clamp to the component using one (1) M8*30 bolt. Then, using the other half of the tube clamp and the hardware provided in the clamp hardware bag, attach the backside of the tube clamp around the post.



3.5-inch 90-Degree Flat Clamp Install Example

Connect half of the flat clamp to one panel using one (1) M8*40 bolt. Then, using the other half of the flat clamp and the hardware provided in the clamp hardware bag, attach the other half of the tube clamp around the post. Then, attach the next panel to the other side of the clamp using the same process.



3.5-inch Clamp Installation Examples

3.5-inch Double Slide Clamp Install Example

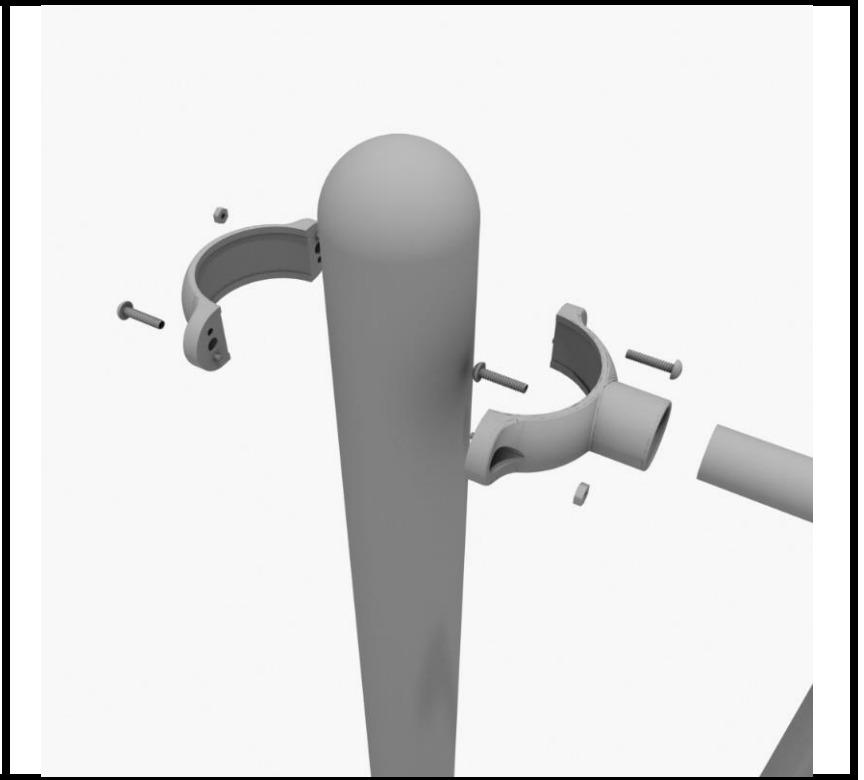
Connect half of the double slide clamp to the double slide hood using one (1) M8*30 bolt. Then, using the other half of the clamp and the hardware provided in the clamp hardware bag, attach the backside of the double slide clamp around the post.



4.5-inch 3-foot Transfer Station Install

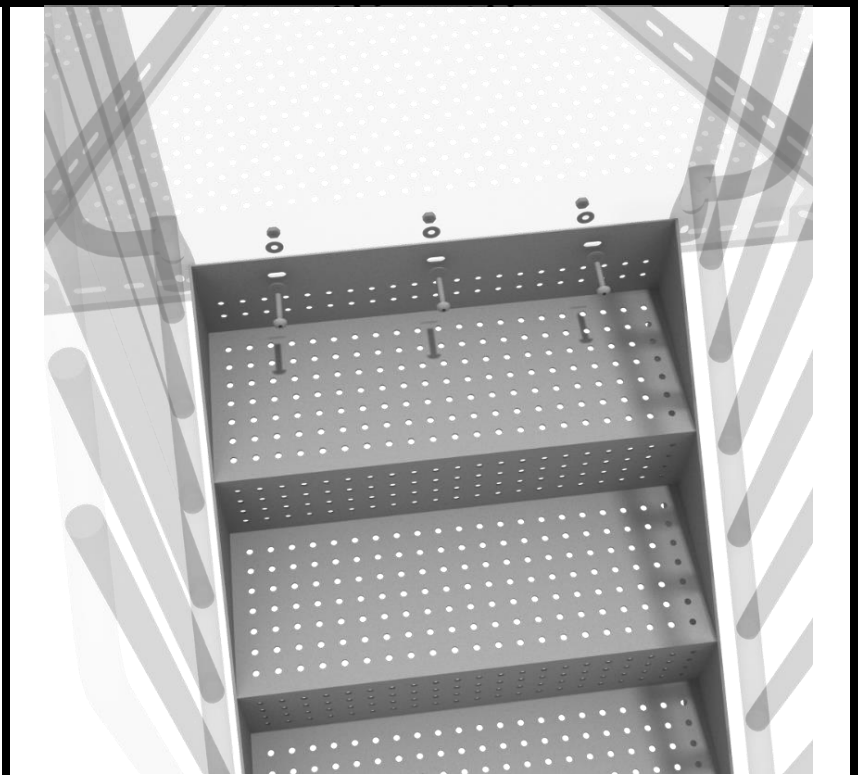
STEP: 1

Connect half of a tube clamp to the ADA transfer handrail using one (1) M4*25 self-tapping screw. Set the handrail into place, then attach the second half of the clamp using the hardware provided in the clamp bag. Repeat this process for the other handrail.



STEP: 2

Using three (3) M10*25 bolts, six (6) M10 washers, and three (3) M10 lock nuts, attach the top of the stairs to the half hex deck. Then using four (4) M10*30 bolts, eight (8) M10 washers, and four (4) M10 lock nuts, attach the handrail to the bottom of the stairs. Then, using two (2) M10*25 bolts, four (4) M10 washers, and two (2) M10 lock nuts, attach the handrails to the deck.



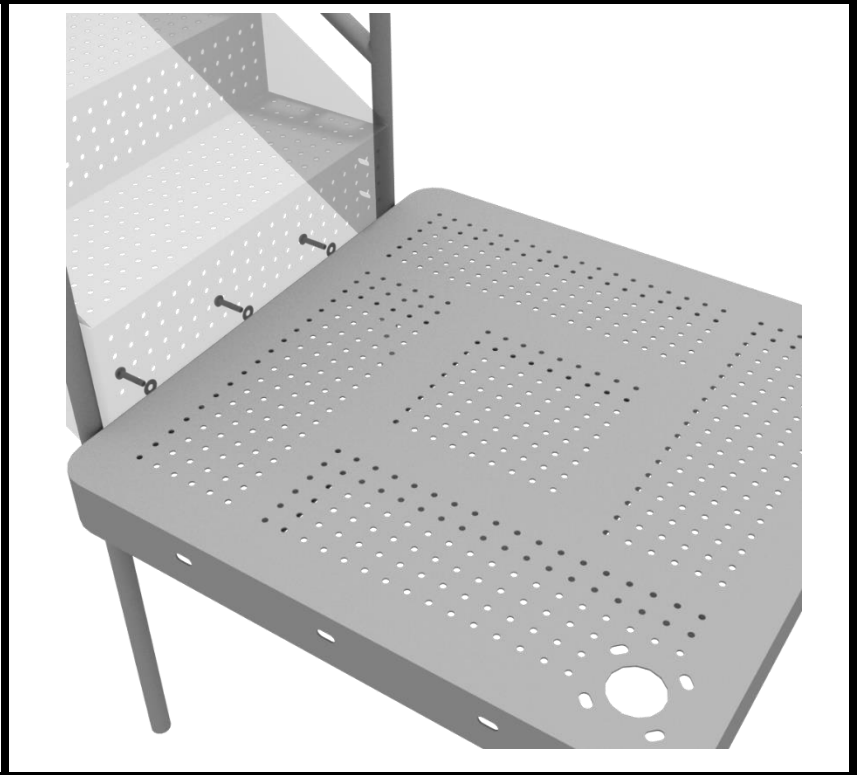
10859 Washington St. Suite
200, Indianapolis, IN
1-800-667-0097

Created By: Aaron Price
Date Modified: 04/25/18

4.5-inch 3-foot Transfer Station Install

STEP: 3

Using three (3) M10*25 bolts, six (6) M10 washers, and three (3) M10 lock nuts, attach the ADA transfer deck to the base of the 4-foot ADA transfer stair.



STEP: 4

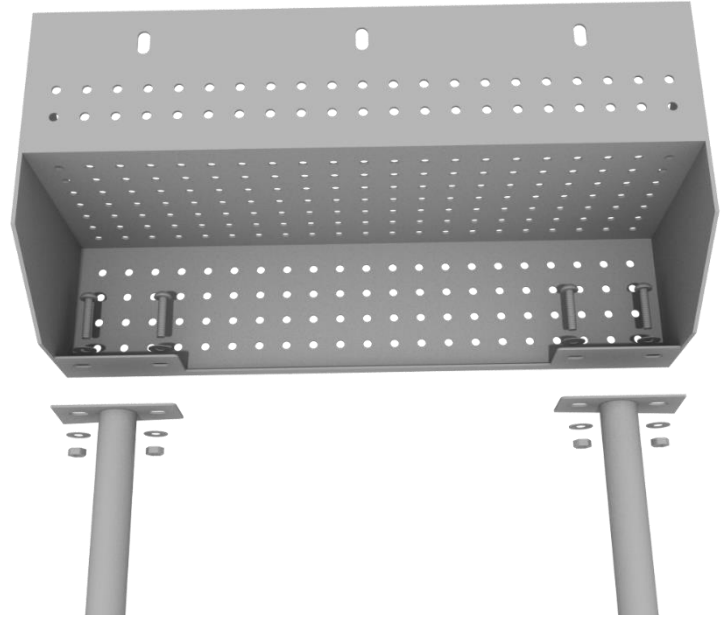
See general installation guide regarding footing information for the transfer deck handrail. Using four (4) M10*25 bolts, eight (8) M10 washers, and four (4) M10 lock nuts, attach each transfer deck handrail to the ADA transfer deck.



4.5-inch 3-foot Transfer Station Install

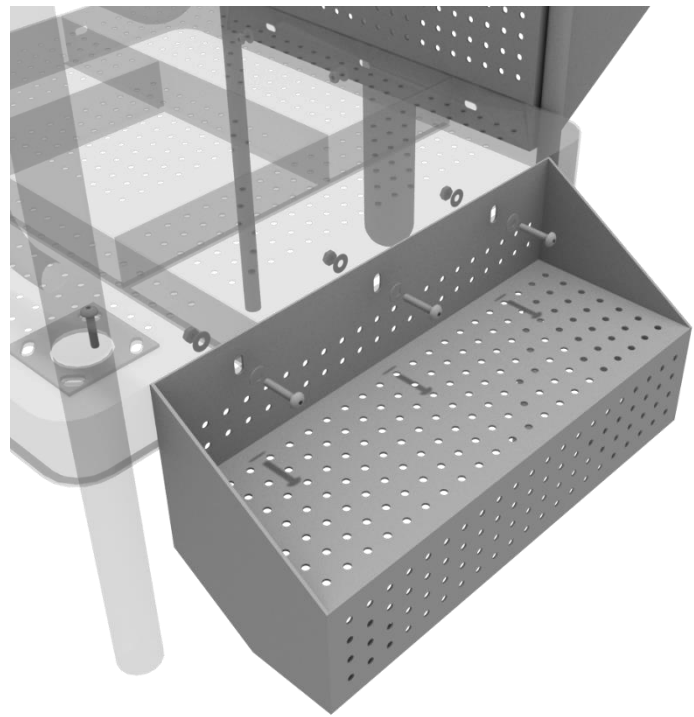
STEP: 5

See general installation guide regarding footing information for the ADA transfer step mount. Using two (2) M10*25 bolts, four (4) M10 washers, and two (2) M10 lock nuts, attach the transfer step to each ADA transfer step mounts.



STEP: 6

Using three (3) M10*25 bolts, six (6) M10 washers, and three (3) M10 lock nuts, attach the top of the ADA transfer step to the ADA transfer deck.



Half Hex Deck Installation

STEP: 1

After the posts are in place, using five (5) M10*35 bolts, ten (10) M10 washers, and five (5) M10 lock nuts, attach the deck to each pre-attached deck clamp as shown in the image.

Deck clamps are pre-attached to the posts and should not be altered in any way.



Triangle Deck Installation

STEP: 1

After the posts are in place, using three (3) M10*35 bolts, six (6) M10 washers, and three (3) M10 lock nuts, attach the triangle deck to each pre-attached deck clamp as shown in the image.

Deck clamps are pre-attached to the posts and should not be altered in any way.



Rectangle Deck Installation

STEP: 1

After the posts are in place, using four (4) M10*35 bolts, eight (8) M10 washers, and four (4) M10 lock nuts, attach the rectangle deck to each pre-attached deck clamp as shown in the image.

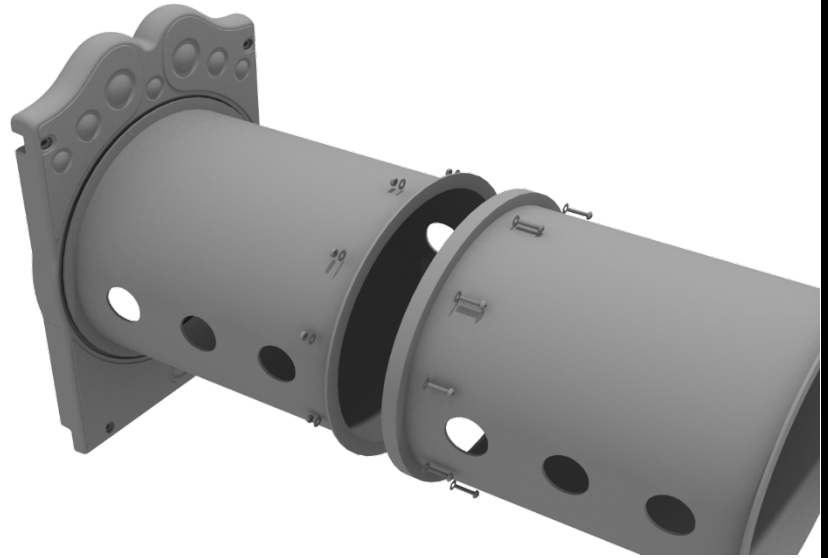
Deck clamps are pre-attached to the posts and should not be altered in any way.



2-Section Tube Bridge Installation

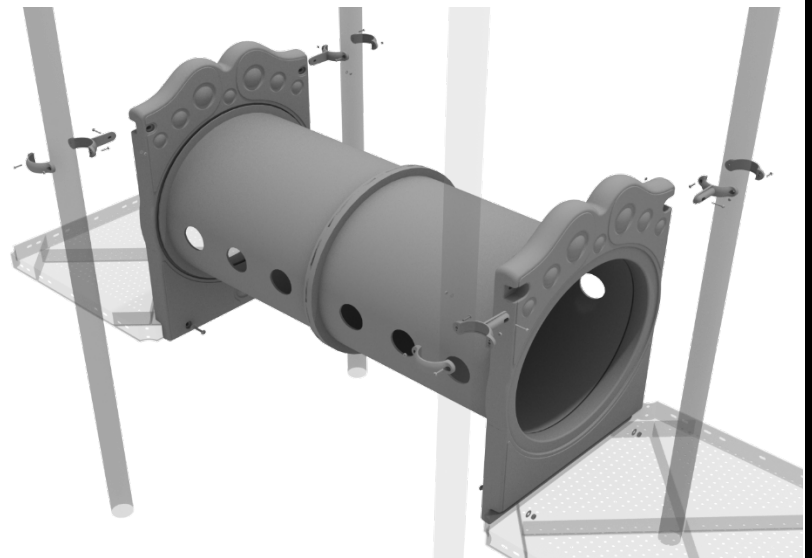
STEP: 1

Take both sections of the tube bridge and attach them together using ten (10) M8*30 bolts, twenty (20) M8 washers, and ten (10) M8 lock nuts.



STEP: 2

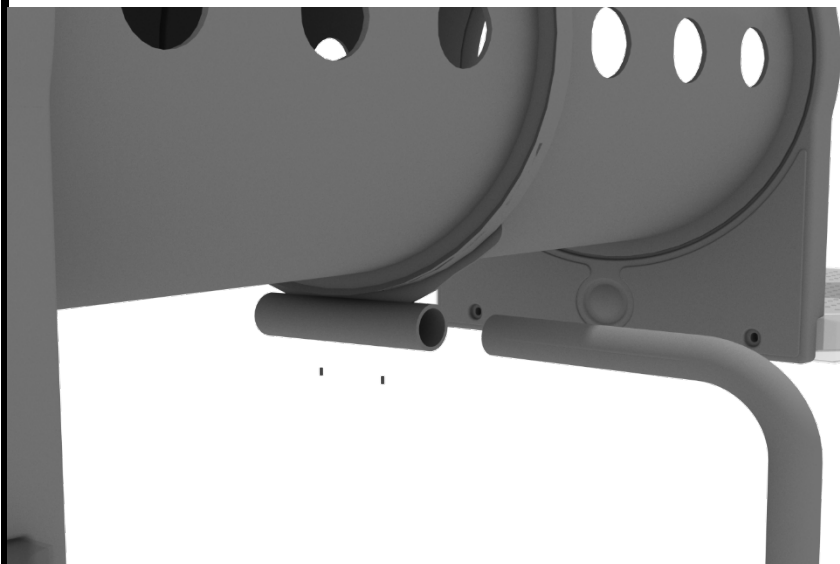
Attach each side of the tube bridge to the proper deck using two (2) M10*50 bolts, four (4) M10 washers, and two (2) M10 lock nuts. Then, attach the top of the tube bridge to the posts using one (1) flat clamp, one (1) M8*40 bolt, one (1) M8 washer, and one (1) M8 lock nut for each post attachment point.



2-Section Tube Bridge Installation

STEP: 3

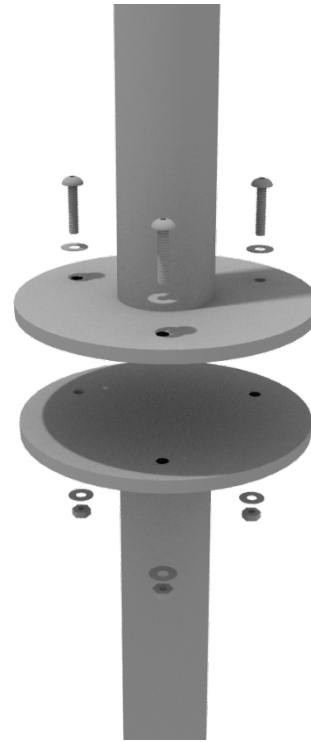
See general installation guide regarding footing information for the tube bridge support. Loosen the set screw pre-attached to the tube support bracket and insert the L-shaped support. Then screw the set screws back into place.



Pod Climber Installation

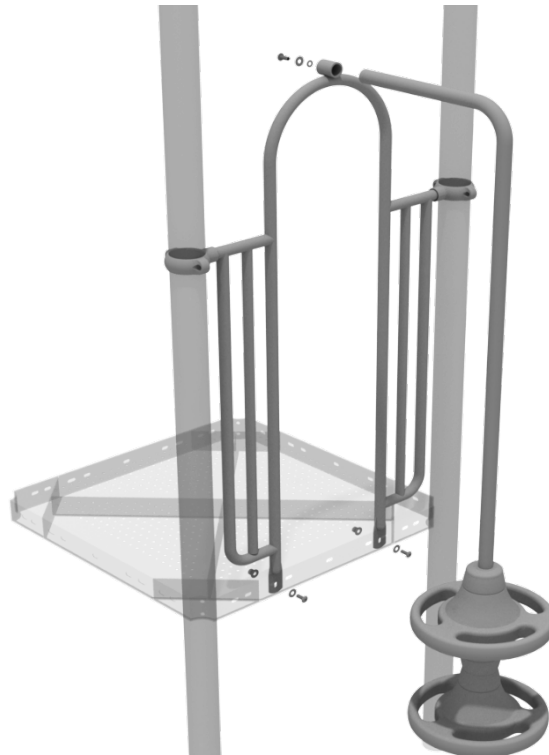
STEP: 1

See general installation guide regarding footing information for the pod climber. Attach the circle end mount to the bottom of the climber using the pre-attached hardware. Each attachment uses three (3) M10*20 bolts, three (3) M10 spring gaskets, and one (3) M10 large gaskets.



STEP: 2

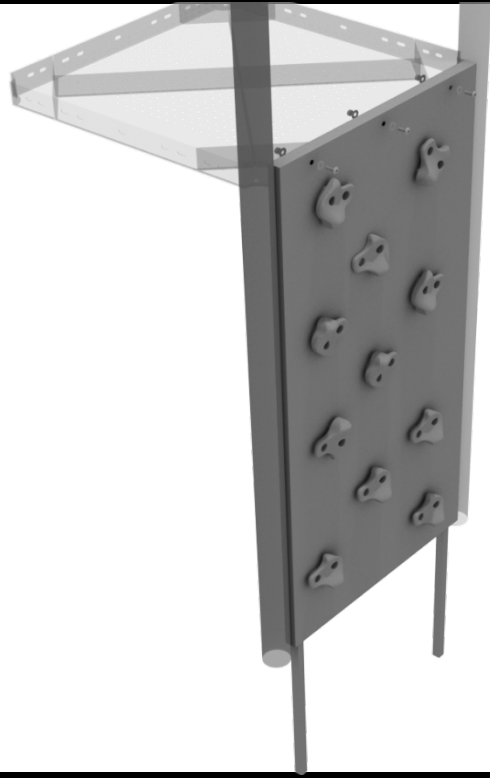
Attach the top of the climber to the designated arch rail top bracket using one (1) M10*20 bolt, one (1) M10 spring washer, and one (1) M10 washer.



PE Vertical Climber Installation

STEP: 1

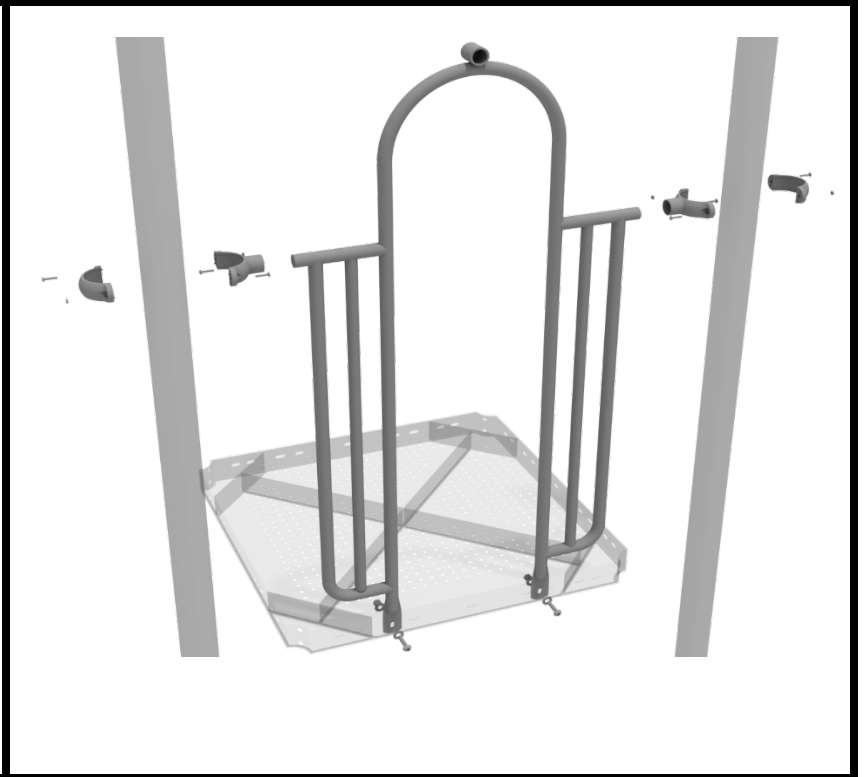
Dig the proper holes for the PE Vertical Climber and attach the top of the climber to the deck using three (3) M10*55 bolts, six (6) M10 washers, and three (3) M10 lock nuts.



3.5-inch 2-Clamp Arch Rail Installation

STEP: 1

Attach the Arch Rail to the designated posts by connect half of the tube clamp to the arch rail using one (1) M8*30 bolt. Repeat this process for each post attachment point. Then, attach the rail to the deck using two (2) M10*25 bolts, four (4) M10 washers, and two (2) M10 lock nuts. Finally, attach the second half of the clamp around the post.

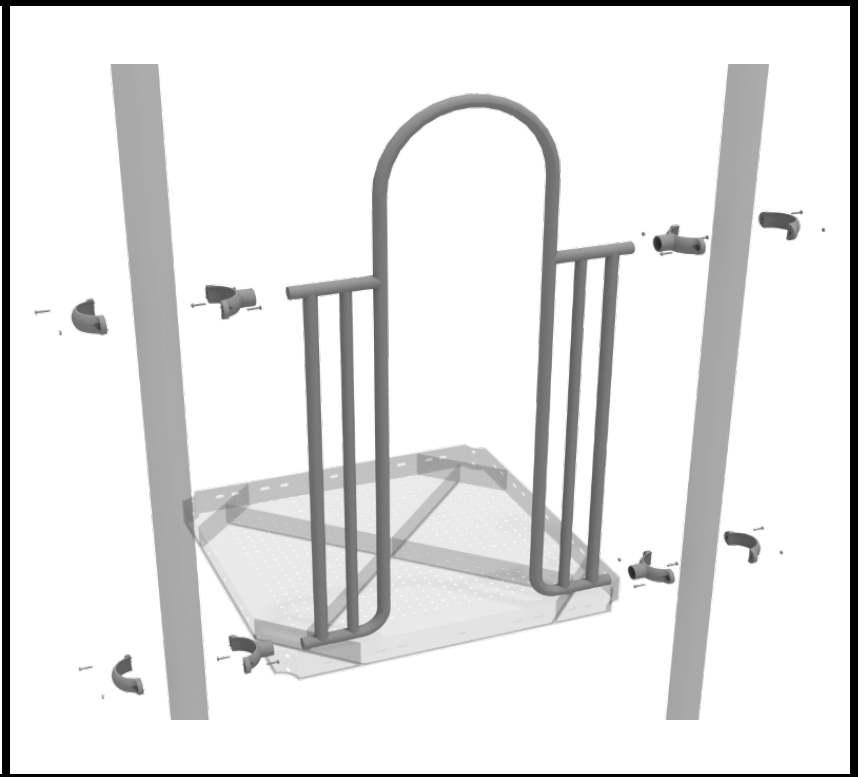


3.5-inch 4-Clamp Arch Rail Installation

STEP: 1

Attach the Arch Rail to the designated posts by connect half of the tube clamp to the arch rail using one (1) M8*30 bolt. Repeat this process for each attachment point.

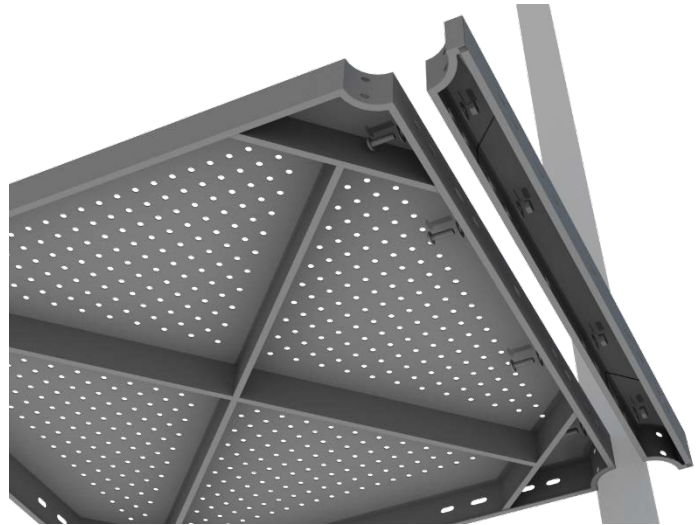
Set the arch rail into place, then attach the second half of the clamp around the post. The gap between the deck and the bottom of the rail should be no more than 3 inches.



3-foot Double Straight Slide Installation

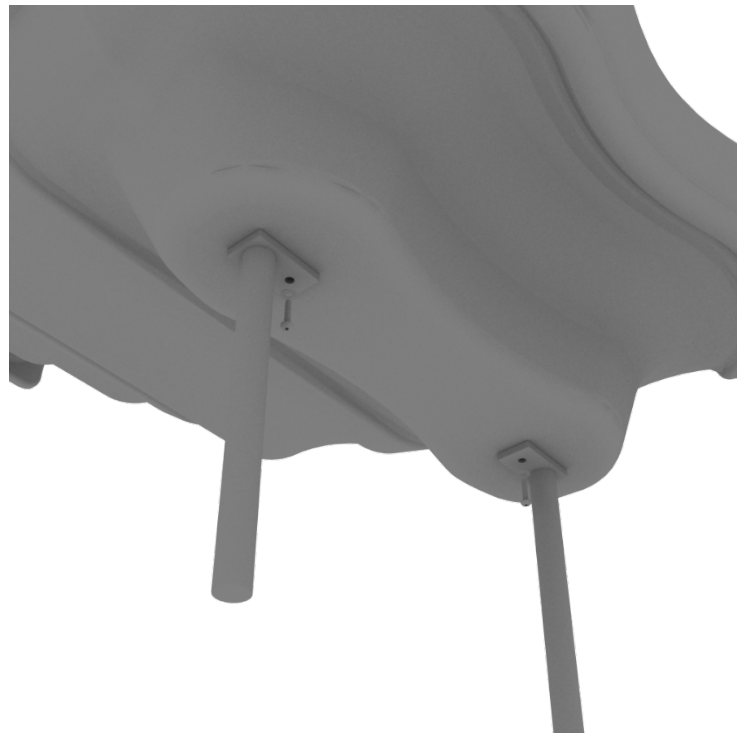
STEP: 1

For the double slide, you will first need to attach the double slide deck extension. This will require four (4) M10*25 bolts, eight (8) M10 washers, and four (4) M10 lock nuts.



STEP: 2

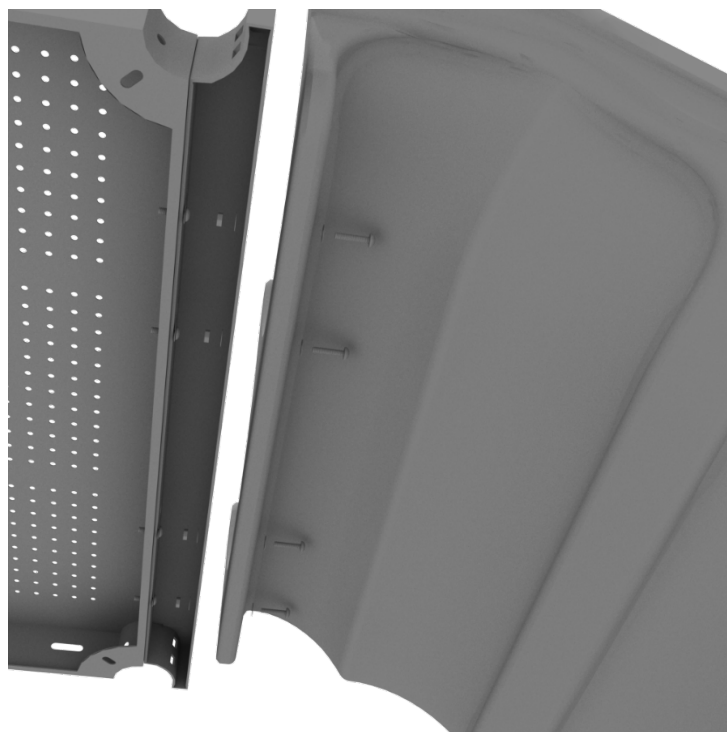
Then, See general installation guide regarding footing information for the double slide end mounts. Using two (2) M8*20 bolts, two (2) M8 spring gaskets, and two (2) M8 washers, attach the slide end mounts to the double slide.



3-foot Double Straight Slide Installation

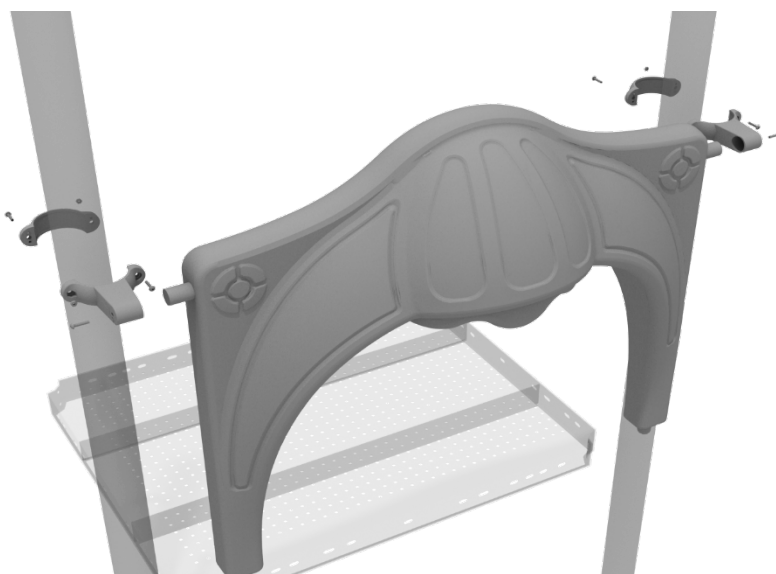
STEP: 3

Then, attach the slide to the deck extension using four (4) M10*45 bolts, eight (8) M10 washers, and four (4) M10 lock nuts.



STEP: 4

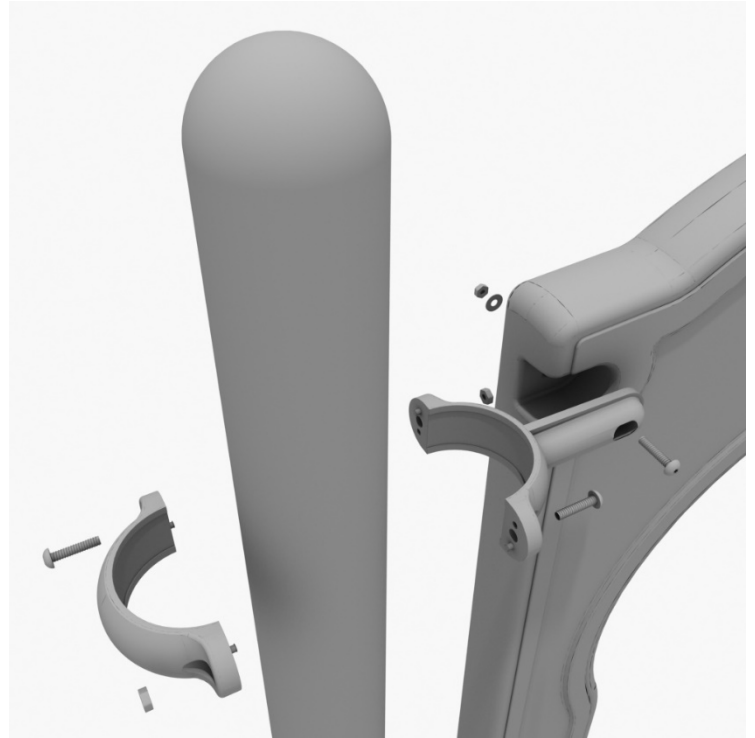
Once the slide is attached, take the double slide hood and insert it into the top of the slide, and then attach the top using two (2) double slide clamps, and two (2) M8*30 bolts.



4-foot Single Straight Slide Installation

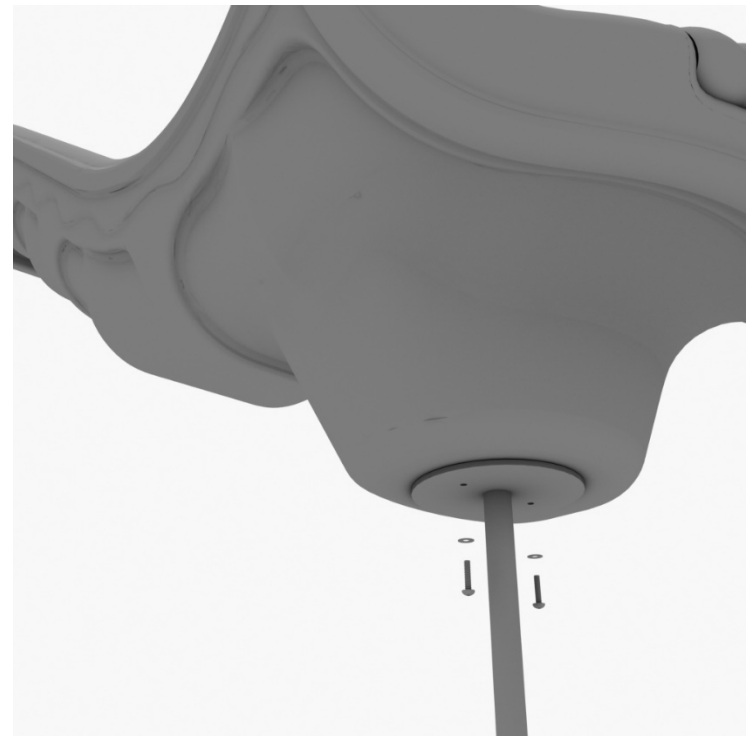
STEP: 1

Take one (1) 3.5-inch flat clamp, and loosely attach it around a post using the bolts and nuts provided in the clamp hardware bag. Repeat this process on the other post. Then, use one (1) M8*40 bolt, one (1) M8 washer, and one (1) M8 lock nut to attach each side of the slide hood to each clamp. Leave bolts loose until slide is in place.



STEP: 2

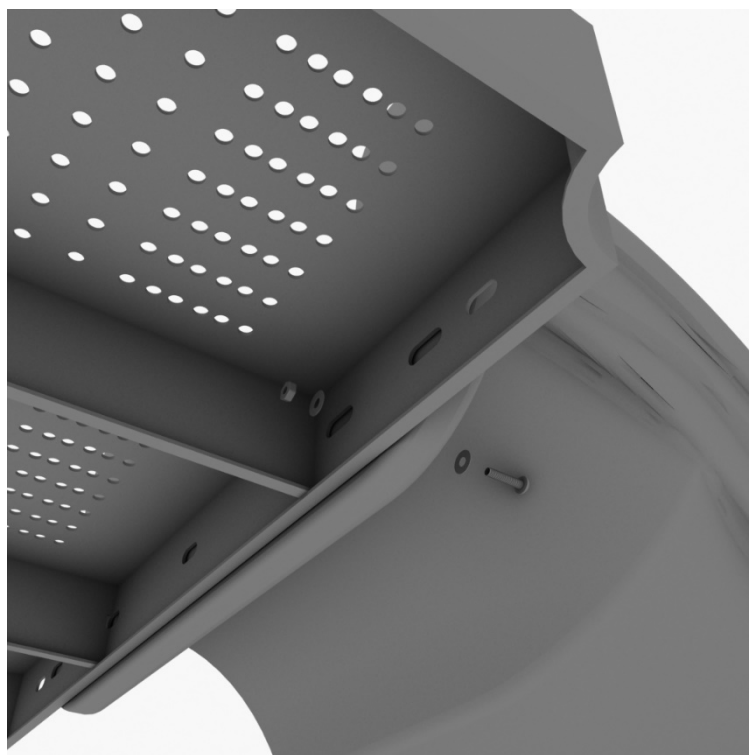
See general installation guide regarding footing information for the slide end mount. Using two (2) M8*20, two (M8) spring gaskets. And two (2) M8 washers, attach the slide to the slide support post.



4-foot Single Straight Slide Installation

STEP: 3

Using one (1) M10*45 bolt, two (2) M10 washers, and two (2) M10 lock nuts, attach one side of the slide to the deck.



STEP: 4

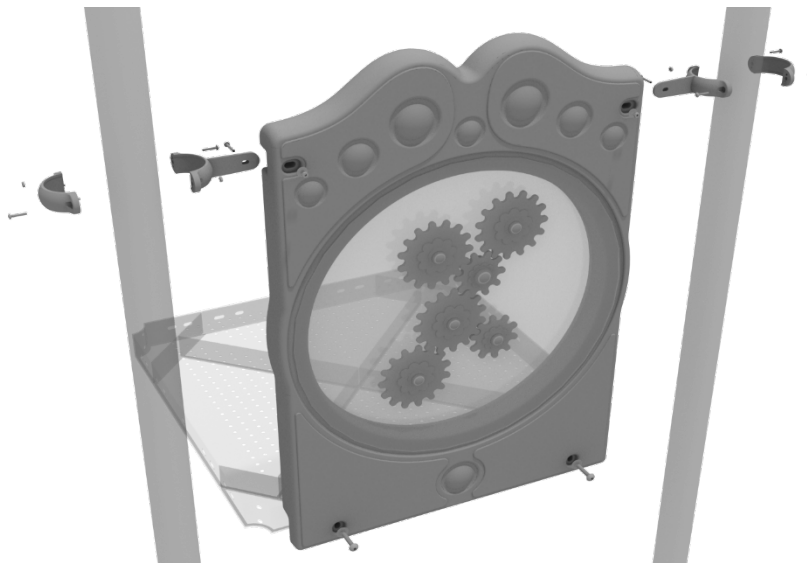
Using one (1) M8*45 bolt, one (1) M8 washer, one (1) M12 washer, and one (1) M12 inner hex spiral nut, attach the slide to one side of the slide hood. Repeat this process for the other side of the slide.



3.5-inch Gear Panel Installation

STEP: 1

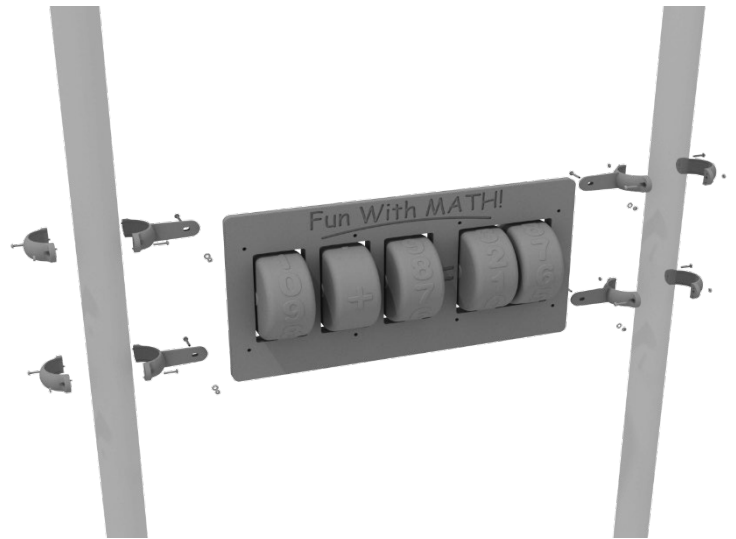
Connect the bottom of the panel to the deck using two (2) M10*50 bolts, four (4) M10 washers, and two (2) M10 lock nuts. Then attach the top of the panel to the posts using two (2) flat clamps.



3.5-Inch Half Math Panel Installation

STEP: 1

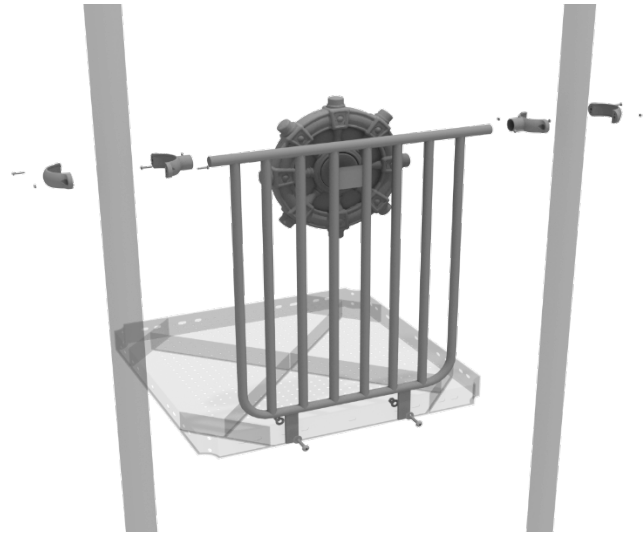
Connect the Half Math Panel to the designated post using four (4) 3.5-inch flat clamps.



3.5-inch Metal Barrier w/ wheel Installation

STEP: 1

Attach the metal barrier to the designated posts using two (2) tube clamps two (2) M8*30 bolts. Then, attach the bottom of the metal barrier to the deck using two (2) M10*25 bolts, four (4) M10 washers, and two (2) M10 lock nuts.

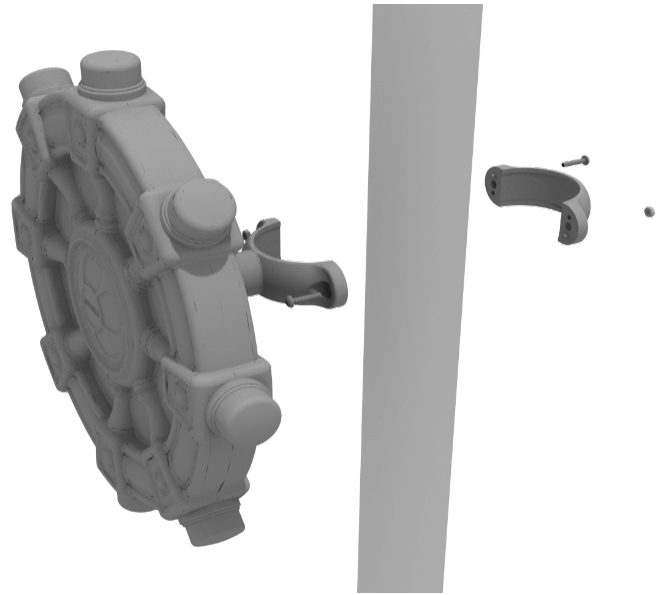


Ships Wheel Installation

Detach half of the tube clamp connected to the Ships Wheel, and re-attach the clamp around the support post, as shown in the picture. Recommended install height is 20 to 36 inches above surfacing depending on age range.

We recommend using Thread-locking fluid on bolts connecting Ship's wheel to clamp to prevent hardware from loosening over time.

(Thread-locker not supplied)



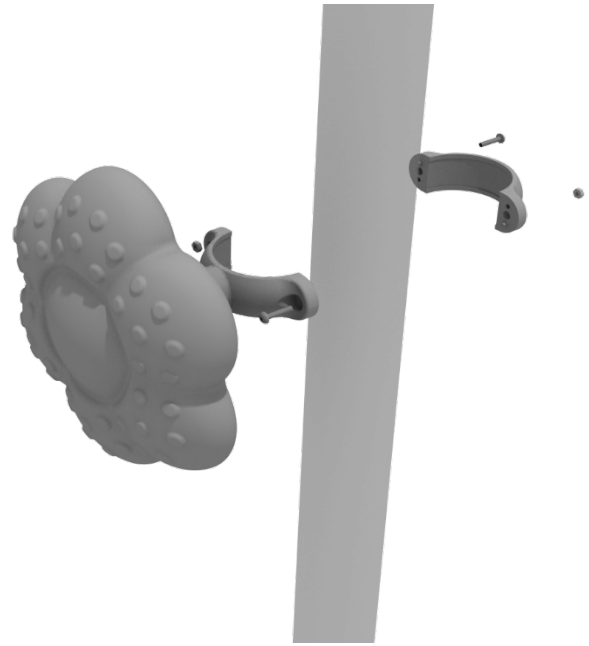
Rain Wheel Installation

Detach half of the tube clamp connected to the Rain Wheel, and re-attach the clamp around the support post, as shown in the picture.

Recommended install height is 20 to 36 inches above surfacing depending on age range.

We recommend using Thread-locking fluid on bolts connecting Rain wheel to clamp to prevent hardware from loosening over time.

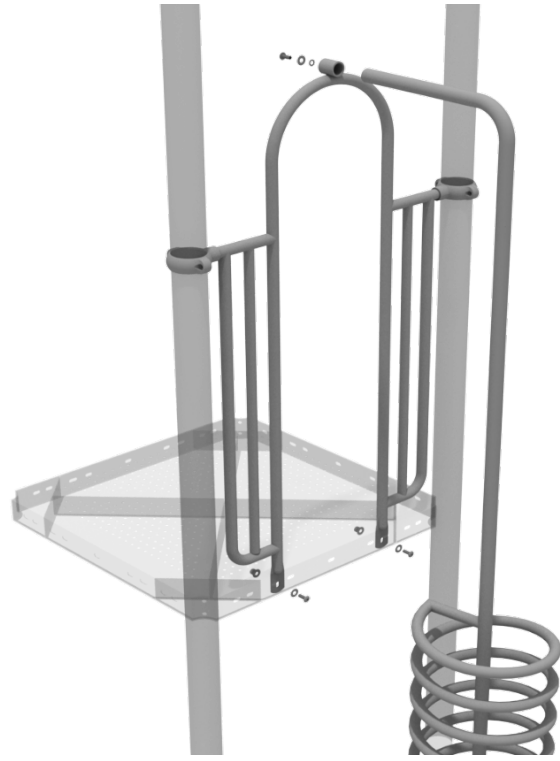
(Thread-locker not supplied)



Spiral Climber Installation

STEP: 1

See general installation guide regarding footing information for the spiral climber. Attach the top of the climber to the designated arch rail top bracket using one (1) M10*20 bolt, one (1) M10 spring washer, and one (1) M10 washer.



Hex Line Roof Install

STEP: 1

To attach a hex roof, bolt the plastic post caps to the bottom of the roof using six (6) M8*20 bolts, and six (6) M8 washers. Then place the roof on top of the posts and screw the caps onto the post using eighteen (18) M3*16 self-tapping screws.

