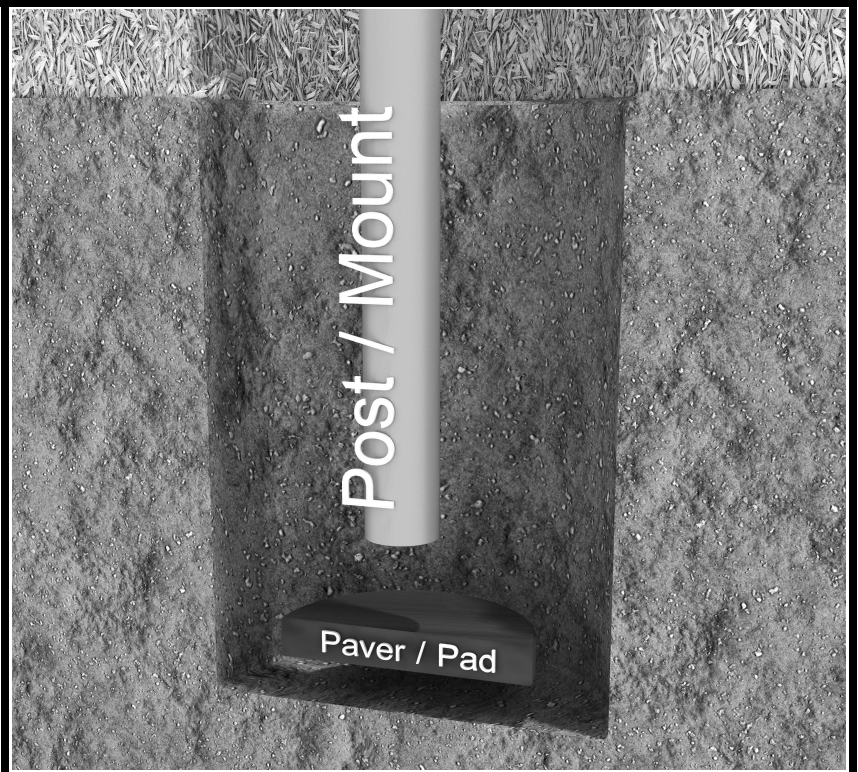


Inground Post/Mount Installation

STEP: 1

DO NOT CEMENT POSTS/MOUNTS INTO PLACE UNTIL THE ENTIRE STRUCTURE IS ASSEMBLED.

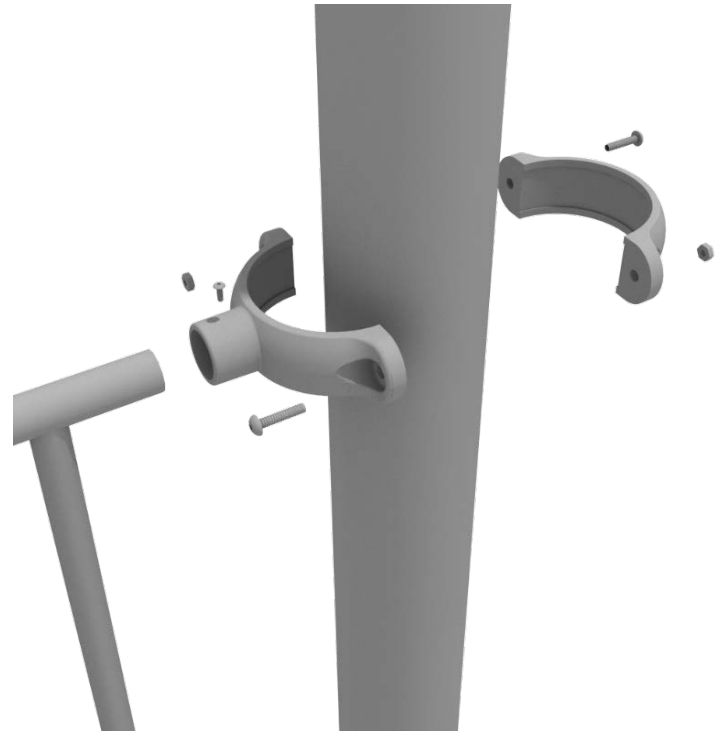
Refer to the General Installation guide footing size information and digging proper holes for the support posts/mounts.



5.0-inch Clamp Installation Guide

5.0-inch Tube Clamp

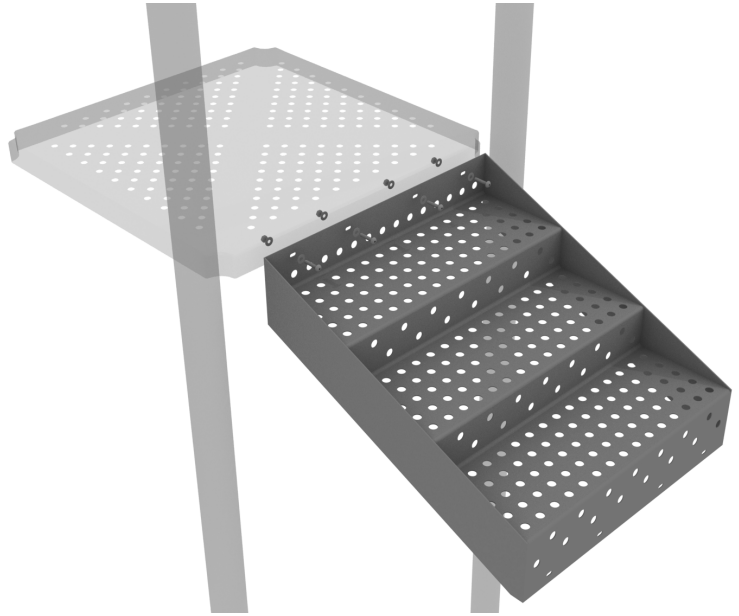
Insert Bar on Component into one half of the Tube Clamp and attach with M4*25 Set Screw. Then, using the other half of the tube clamp and the hardware provided in the clamp hardware bag, attach the other half of the tube clamp around the post.



5.0-inch 3-foot Transfer Station Install

STEP: 1

Using four (4) M10*25 Bolts, eight (8) M10 Washers, and four (4) M10 Lock Nuts, attach the top of the stairs to the deck.



STEP: 2

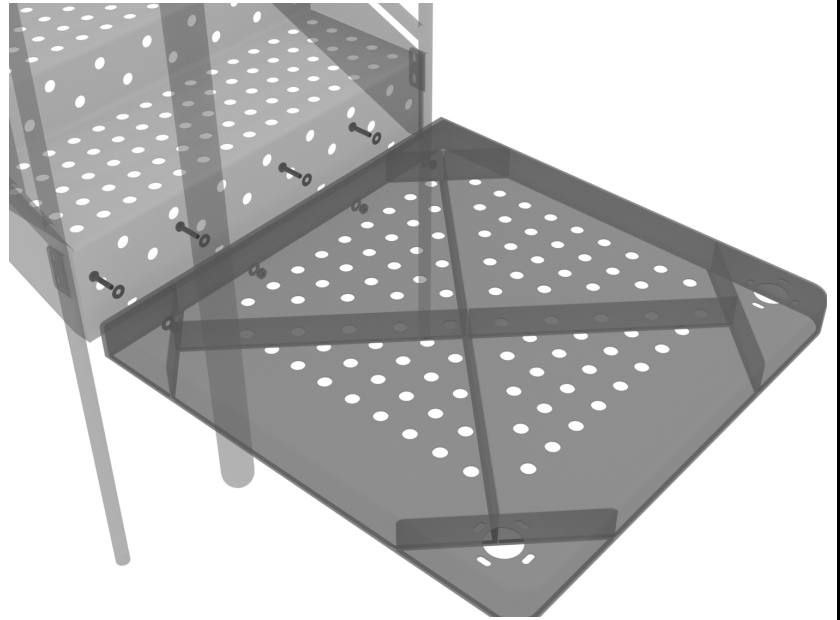
Attach the ADA Transfer Stair Handrails to the posts using Tube Clamps. Then using six (6) M10*25 Bolts, twelve (12) M10 Washers, and six (6) M10 Lock Nuts, attach the handrail to the bottom and side of the stairs.



5.0-inch 3-foot Transfer Station Install

STEP: 3

Using four (4) M10*25 Bolts, eight (8) M10 Washers, and four (4) M10 Lock Nuts, attach the ADA transfer deck to the base of the 3-foot ADA transfer stair.



STEP: 4

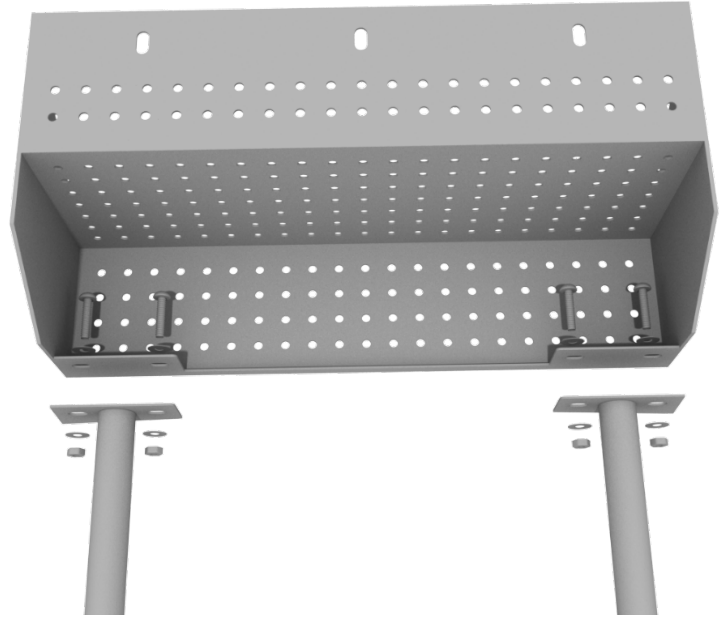
See general installation guide regarding footing information for the transfer deck handrail. Using four (4) M10*25 Bolts, eight (8) M10 Washers, and four (4) M10 Lock Nuts, attach each transfer deck handrail to the ADA transfer deck.



5.0-inch 4-foot Transfer Station Install

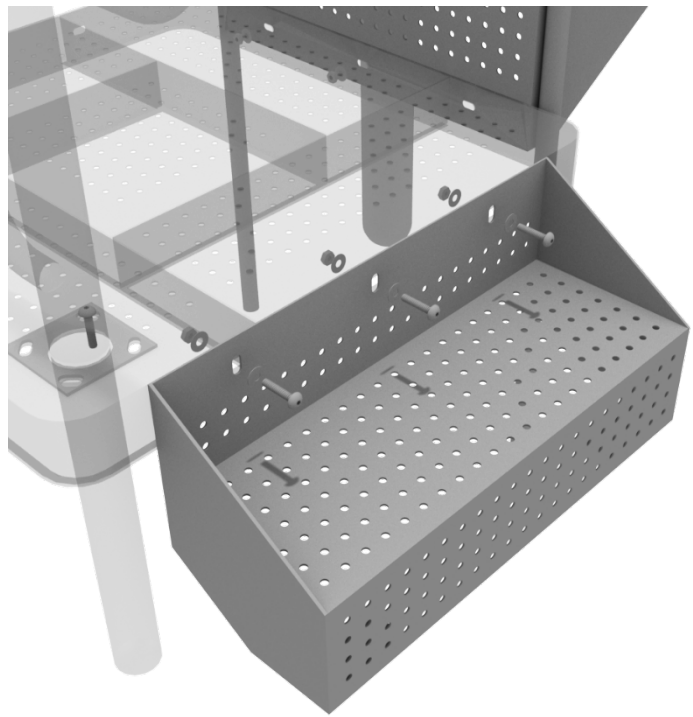
STEP: 5

See general installation guide regarding footing information for the ADA transfer step mount. Using two (2) M10*25 Bolts, four (4) M10 Washers, and two (2) M10 Lock Nuts, attach the transfer step to each ADA transfer step mounts.



STEP: 6

Using three (3) M10*25 Bolts, six (6) M10 Washers, and three (3) M10 Lock Nuts, attach the top of the ADA transfer step to the ADA transfer deck.



Half Hex Deck Installation

STEP: 1

After the posts are in place, using five (5) M10*35 bolts, ten (10) M10 washers, and five (5) M10 lock nuts, attach the deck to each pre-attached deck clamp as shown in the image.

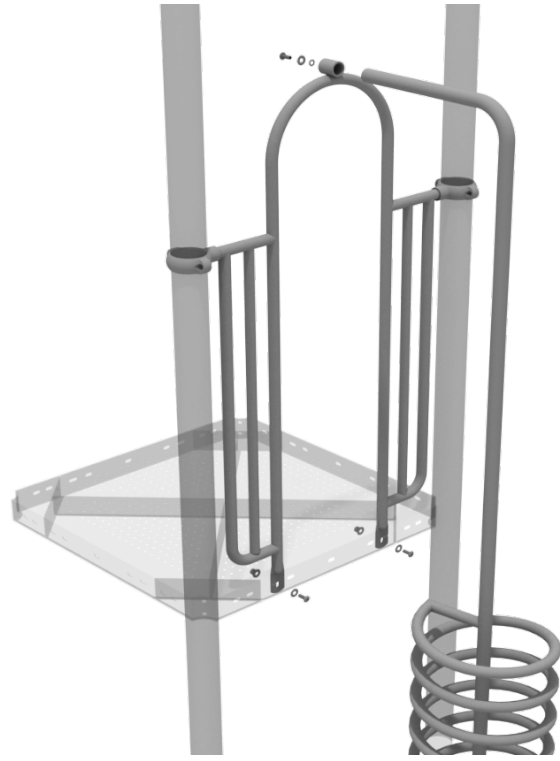
Deck clamps are pre-attached to the posts and should not be altered in any way.



Spiral Climber Installation

STEP: 1

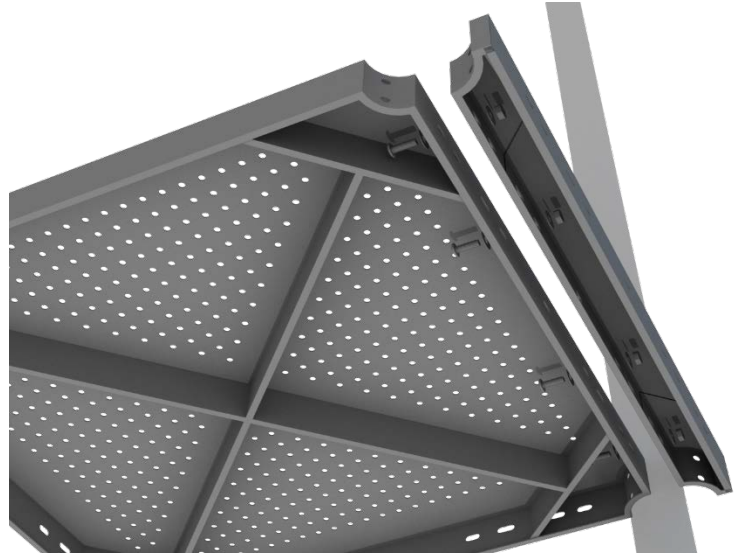
See general installation guide regarding footing information for the spiral climber. Attach the top of the climber to the designated arch rail top bracket using one (1) M10*20 bolt, one (1) M10 spring washer, and one (1) M10 washer.



3-foot Double Straight Slide Installation

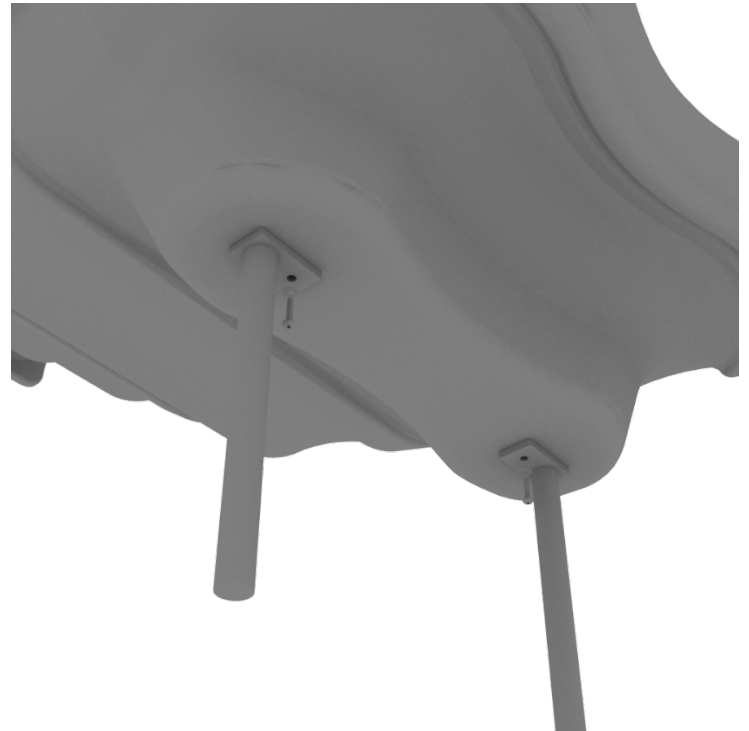
STEP: 1

Attach the deck climber extension to the proper deck using four (4) M10*25 bolts, eight (8) M10 washers, and four (4) M10 lock nuts.



STEP: 2

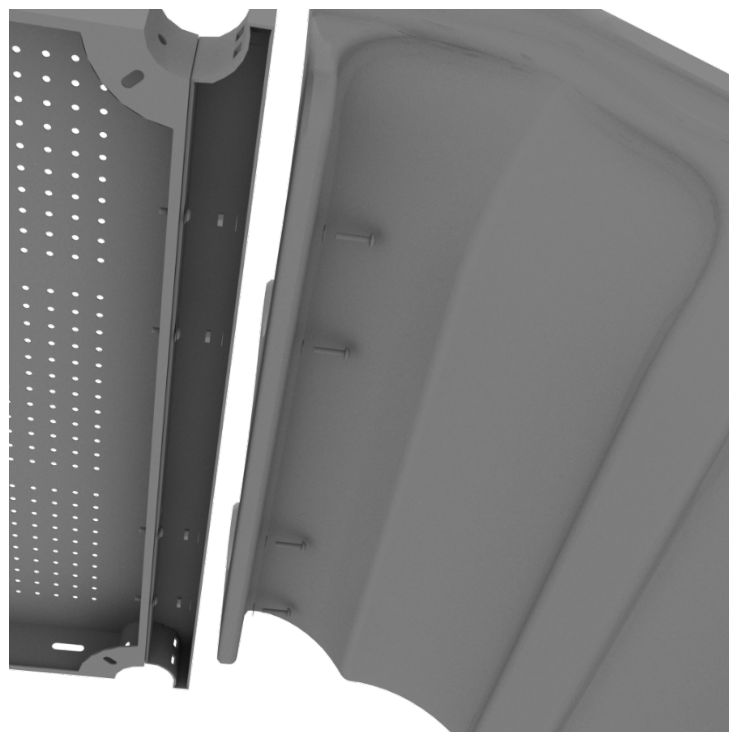
Then, See general installation guide regarding footing information for the double slide end mounts. Using two (2) M8*20 bolts, two (2) M8 spring gaskets, and two (2) M8 washers, attach the slide end mounts to the double slide.



3-foot Double Straight Slide Installation

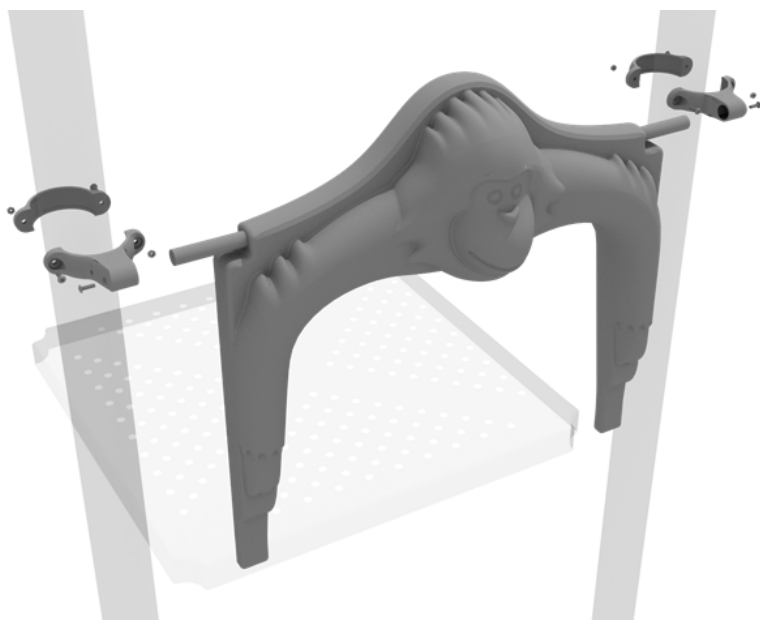
STEP: 3

Then, attach the slide to the deck extension using four (4) M10*45 bolts, eight (8) M10 washers, and four (4) M10 lock nuts.



STEP: 4

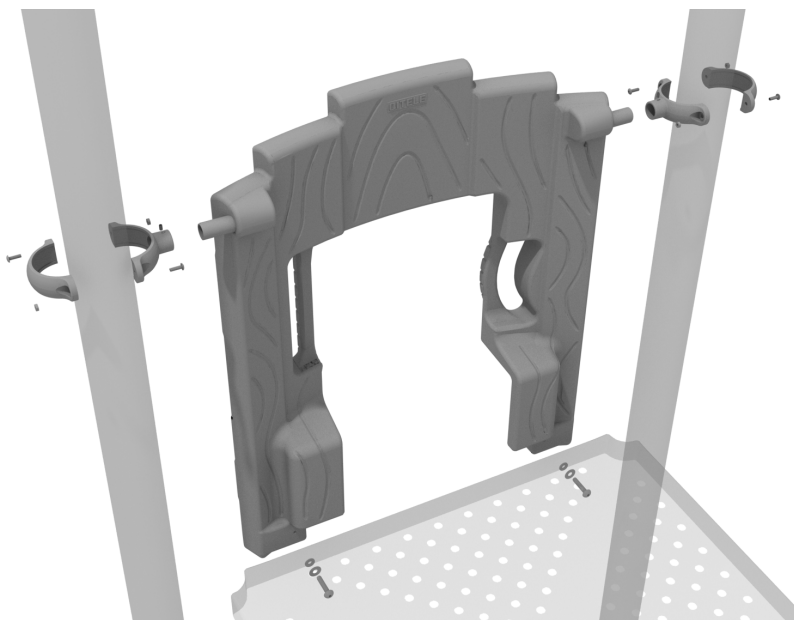
Once the slide is attached, take the tree house double slide hood and insert hood into the top of the slide, and then attach the top using two (2) double slide clamps, and two (2) M8*30 bolts.



3-foot Straight Slide Installation

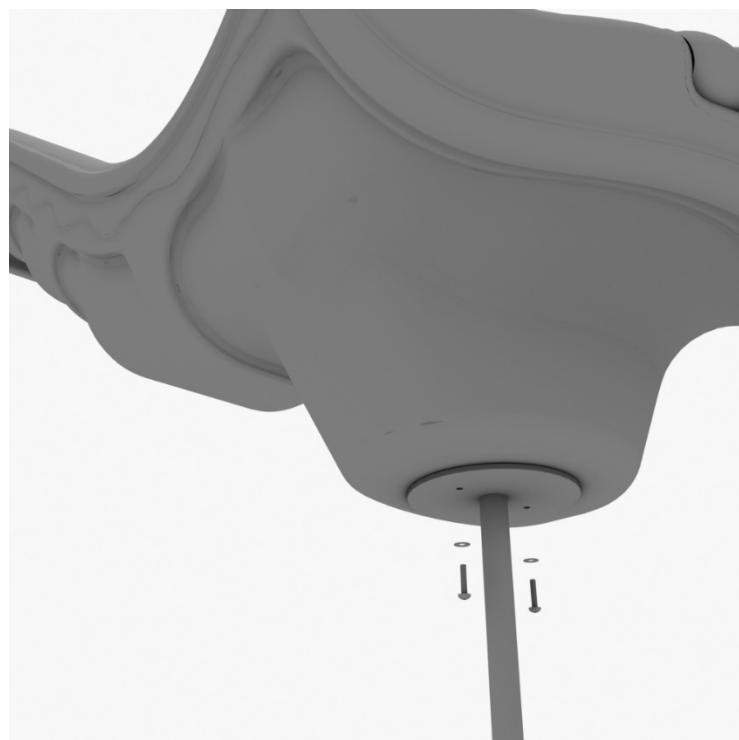
STEP: 1

To attach the tree house slide hood to a deck, take two tube clamps and attach them to the posts using two (2) M4*25 self-tapping screws. Then, attach the hood to the deck using two (2) M10*20 bolts, two (2) spring washer, four (4) M10 washers, and two (2) M10 lock nuts. Repeat this process for every single slide hood.



STEP: 2

See general installation guide regarding footing information for the slide end mount. Using two (2) M8*20, two (M8) spring washers. And two (2) M8 washers, attach the slide to the slide support post.



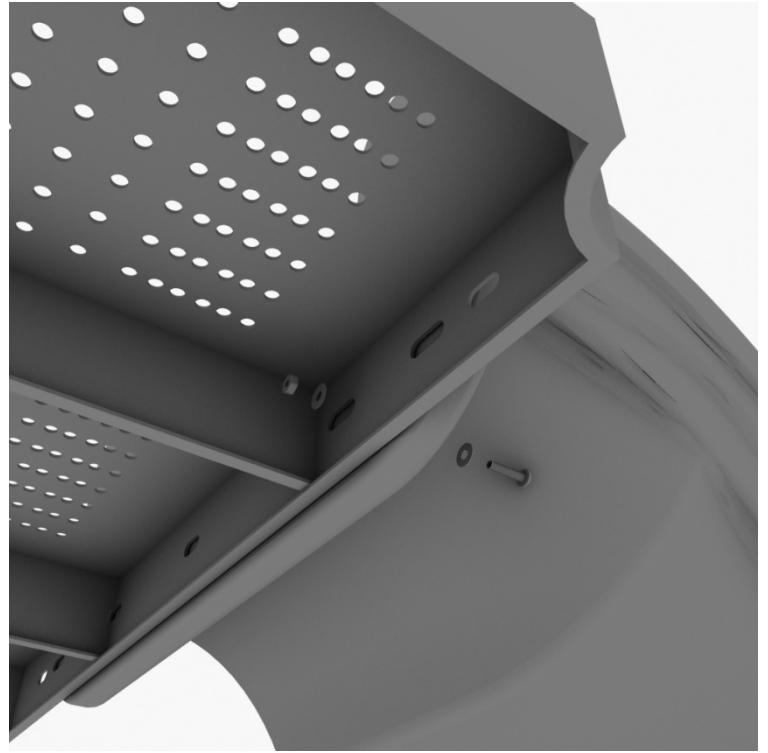
10859 E Washington St. Suite 200
Indianapolis, IN 46229
1-800-667-0097

Created By: Aaron Price
Date: 03/19/2018

3-foot Straight Slide Installation

STEP: 3

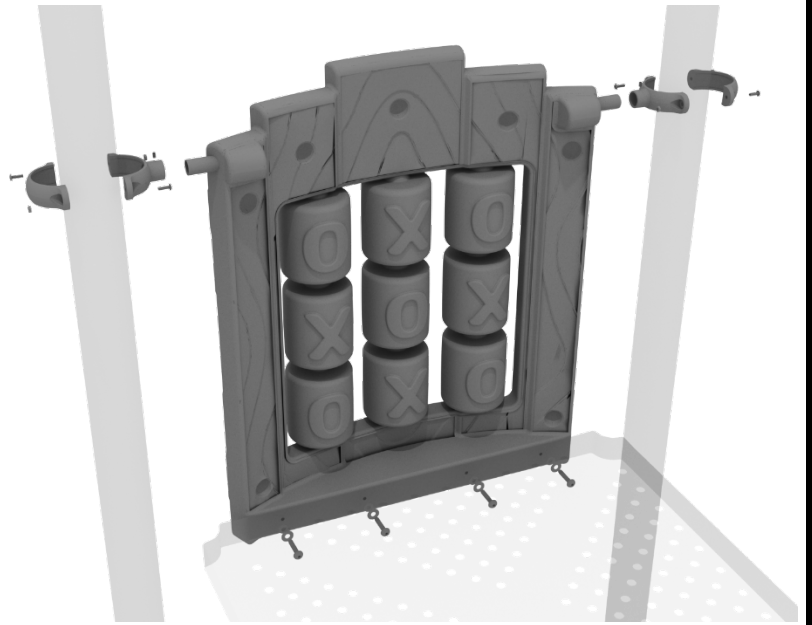
Using one (1) M10*45 bolt, two (2) M10 washers, and two (2) M10 lock nuts, attach one side of the slide to the deck.



5.0-inch Treehouse Tic Tac Toe Panel Installation

STEP: 1

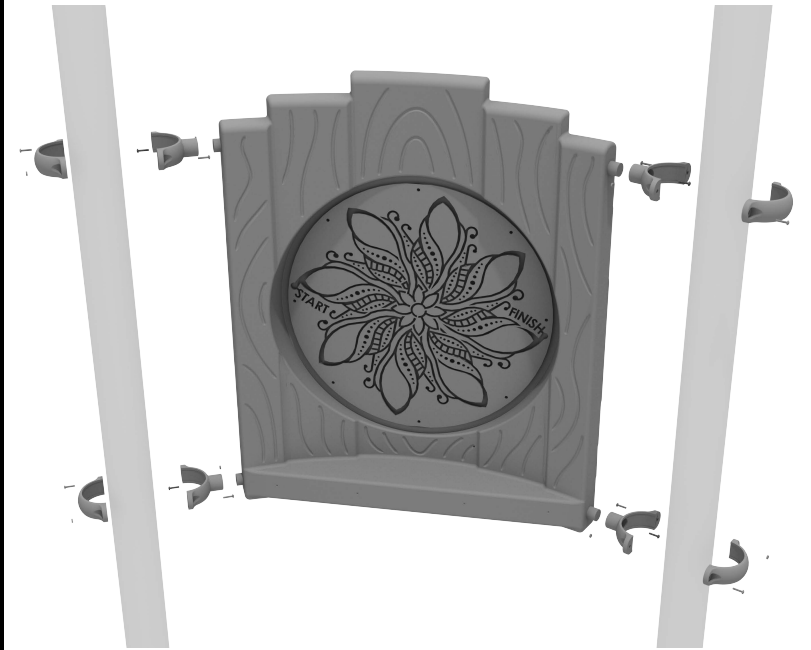
Attach the Treehouse Tic Tac Toe Panel to the designated posts using two (2) tube clamps and two (2) M4*25 Set Screws. Then, attach the bottom of the panel to the deck using four (4) M10*20 Bolts, four (4) M10 Washers, and four (4) M10 Lock Nuts.



Treehouse Finger Maze Installation

STEP: 1

Attach the Treehouse Finger Maze Panel using four (4) M4*25 Set Screws for the four (4) Tube Clamps, clamping around the appropriate post.

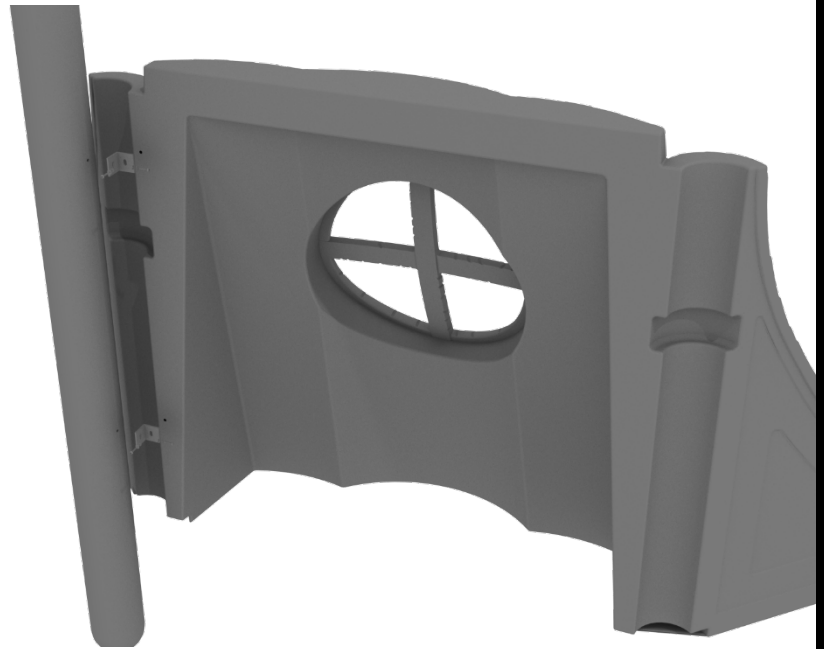


Treehouse Stump Window Panel Installation

STEP: 1

Align the Treehouse Stump Window Panel with the intended posts. The posts have a threaded insert that must be lined up correctly with the Treehouse Stump Window Panel.

Using the provided mounting brackets, attach the panel to the posts with eight (8) M8*30 Bolts, eight (8) M8 Washers, and eight (8) M8 Spring Gaskets.



STEP: 2

The Treehouse Stump Window Panel can attach to a 2nd Treehouse Stump Window Panel using one (1) M8*45 Bolt, and one (1) M10*45 Inner Hex Nut.

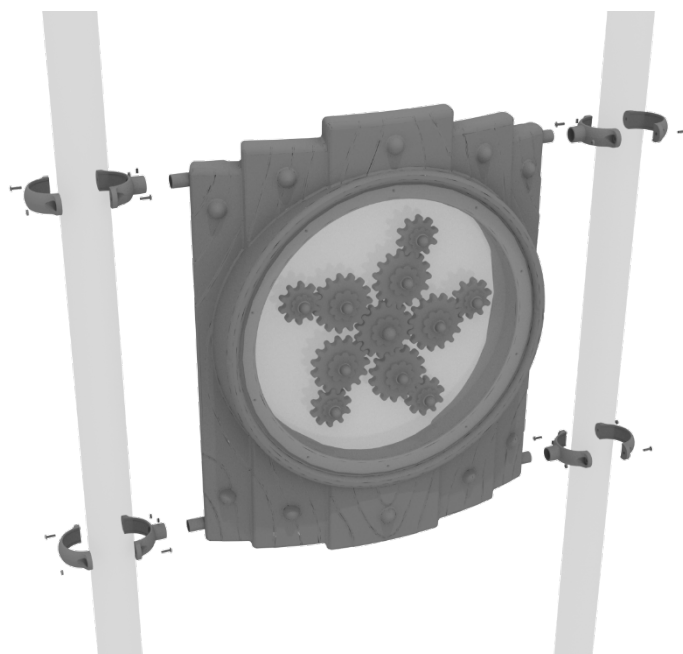
This step does not apply in cases where there is only 1 Treehouse Stump Window Panel.



Treehouse Gear Panel Installation

STEP: 1

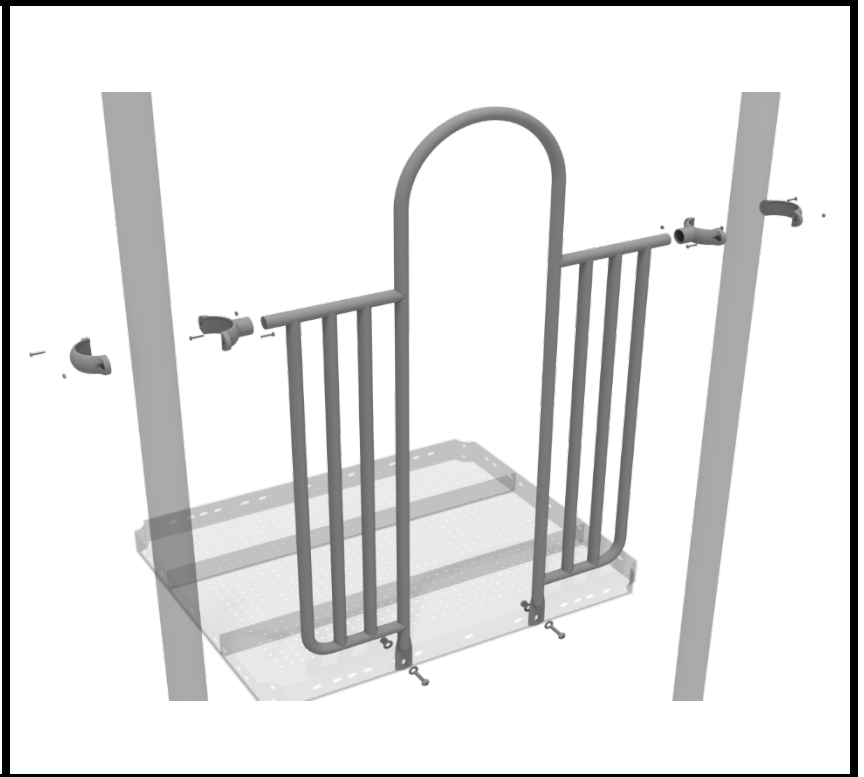
Attach the Treehouse Gear Panel using four (4) M4*25 Set Screws for the four (4) tube clamps, clamping around the appropriate post.



5-inch 2-Clamp Arch Rail Installation

STEP: 1

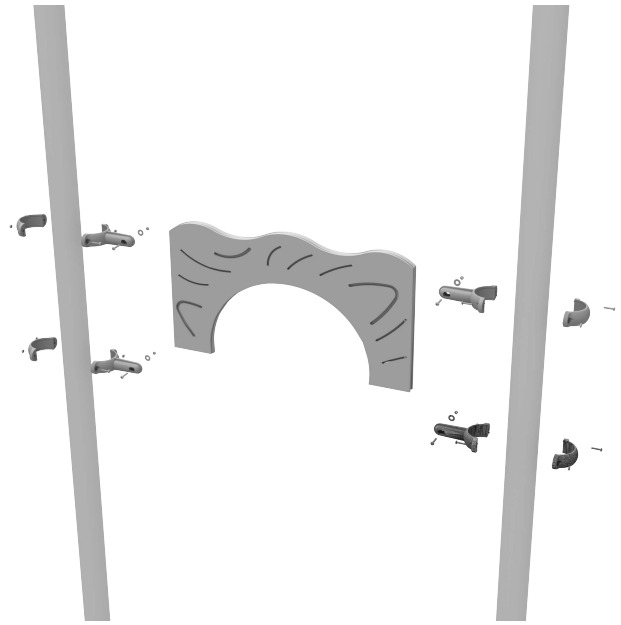
Attach each two-clamp arch rail to the designated deck by using two (2) tube clamps, and two (2) M4*25 self-tapping screws to attach the top of the panel to the posts. Then use two (2) M10*25 bolts, four (4) M10 washers, and two (2) M10 lock nuts to attach the panel to the deck.



5.0-Inch PE Wooden Arch Installation

STEP: 1

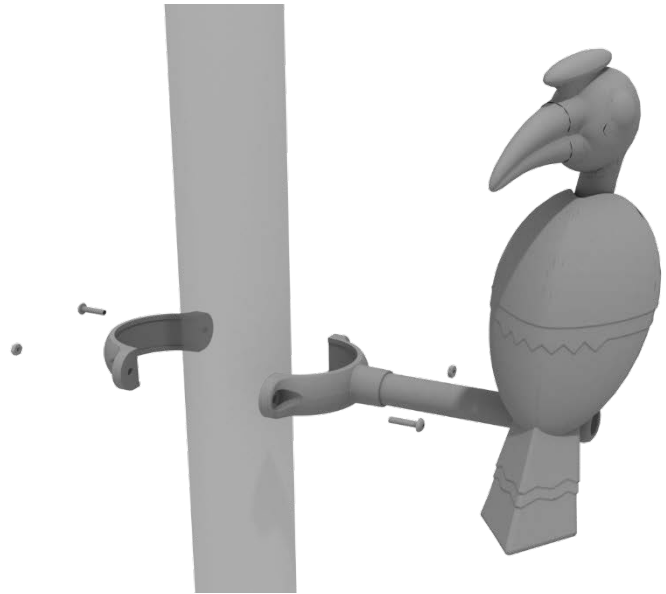
Connect the PE Wooden Arch to the designated post using four (4) 3.5-inch flat clamps.



Parrot Topper Installation

STEP: 1

Detach half of the tube clamp connected to the Parrot Topper, and re-attach the clamp around the support post, as shown.



Tree Topper Installation

STEP: 1

Place the Tree Topper onto the desired post. Use three (3) M8*45 Set Screws to attach the Pine Tree Topper to the post.

