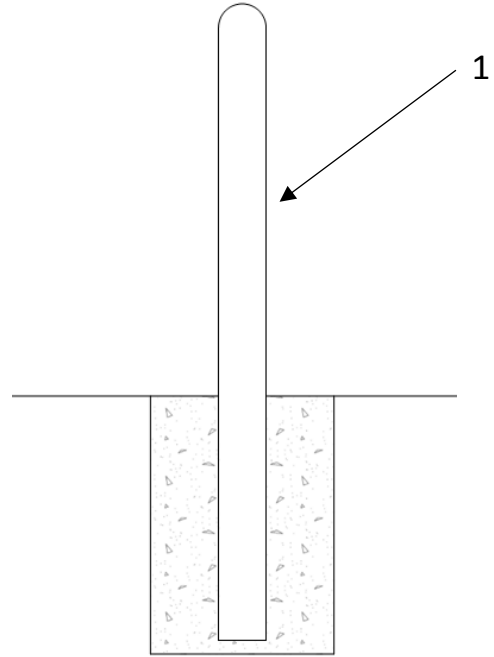


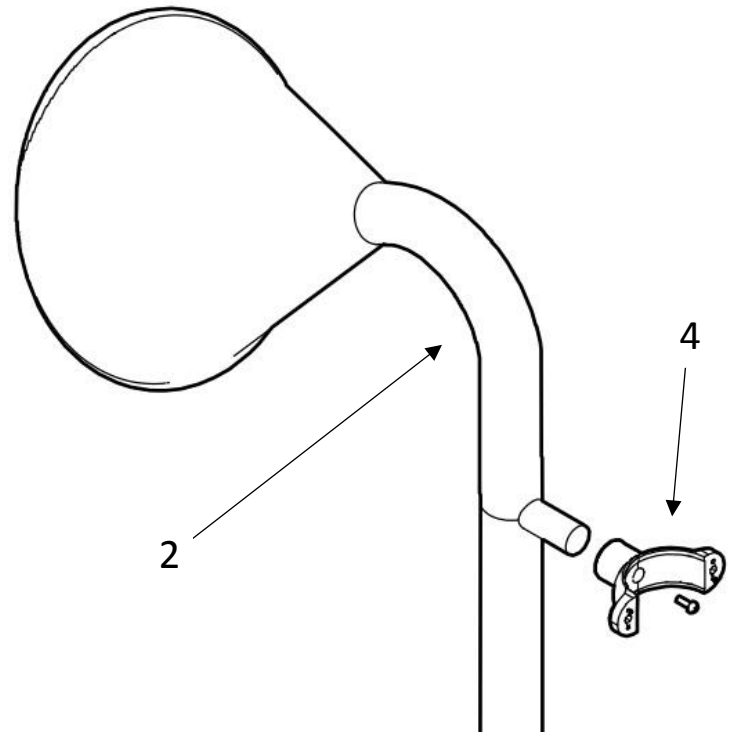
STEP 1

Dig proper holes for the 3.5-inch support posts, and cement them into the ground. Refer to the General Information Guide footing information.



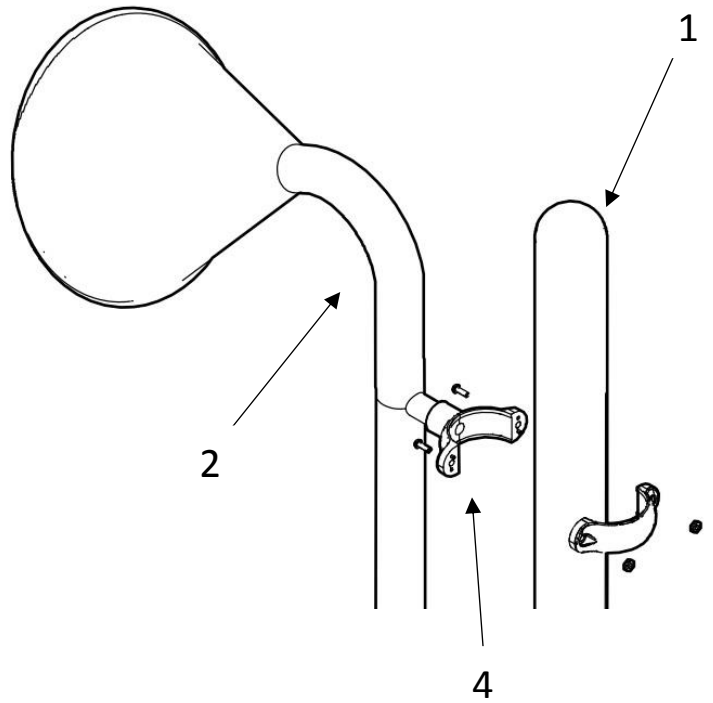
STEP 2

Attach the first half of the 3.5-inch tube clamp to the talk tube post by sliding the end of the clamp over the nob extending from the talk tube post.



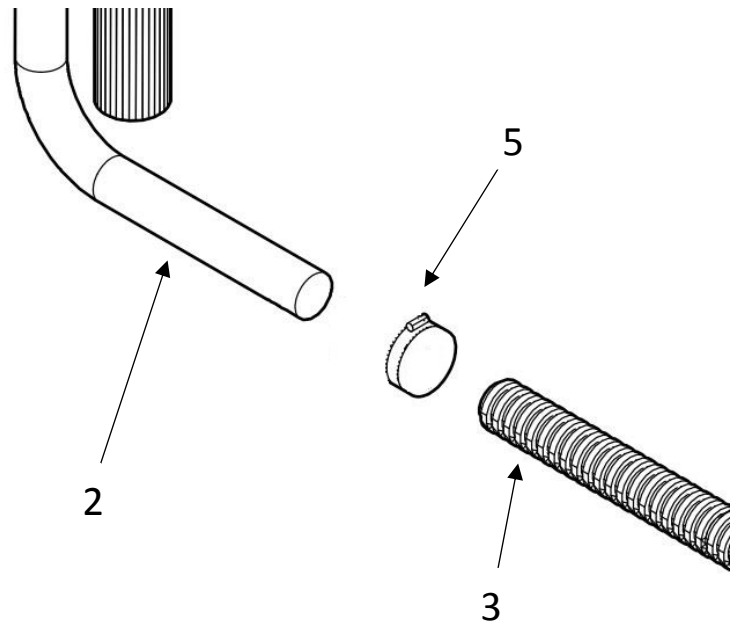
STEP 3

Loosely attach a talk tube post to each support post using the tube clamp and the bolts and nuts provided in the clamp hardware bag.



STEP 4

Connect the corrugated tubing to the end of one talk tube post using the provided hose clamp. Repeat this process for the other talk tube post. The corrugated tube should be laid out as straight as possible to ensure best sound quality.



STEP 5

After the tubing is laid out and attached, finish tightening all bolts on each tube clamp.

