

## STEP: 1

**DO NOT CEMENT POSTS INTO PLACE  
UNTIL THE ENTIRE STRUCTURE IS  
ASSEMBLED.**

Refer to the General Installation  
guide footing information and dig  
proper holes for the support posts.



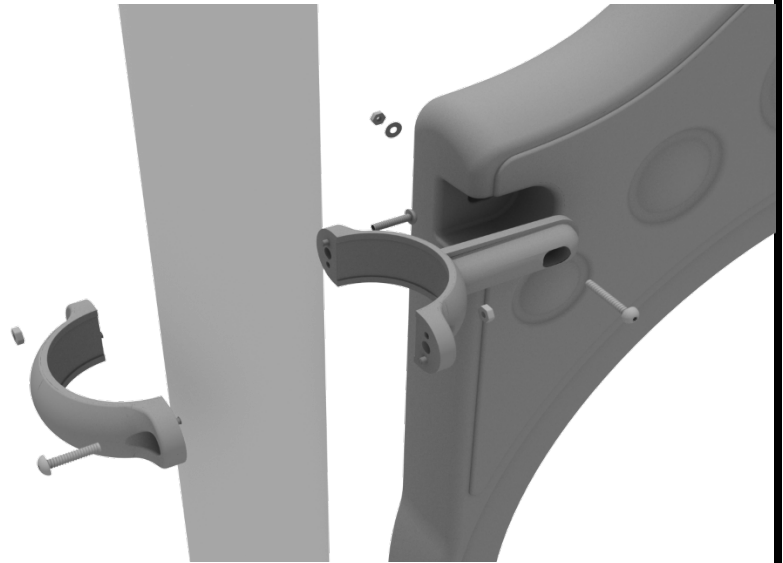
## 3.5-inch Clamp Installation Examples

The following three pages will include examples of how to install some of the most common types of Clamps that are present on our structures that use 3.5-inch outside diameter posts. The structure that you are assembling might not require all the types of clamps listed in these examples.

The Install Guides for specific components that come later in this document might call for a specific type of clamp (a tube clamp for example), those sections will not include detailed instructions for the clamps and should direct you back to this section for more detailed information.

### 3.5-inch Flat Clamp Install Example

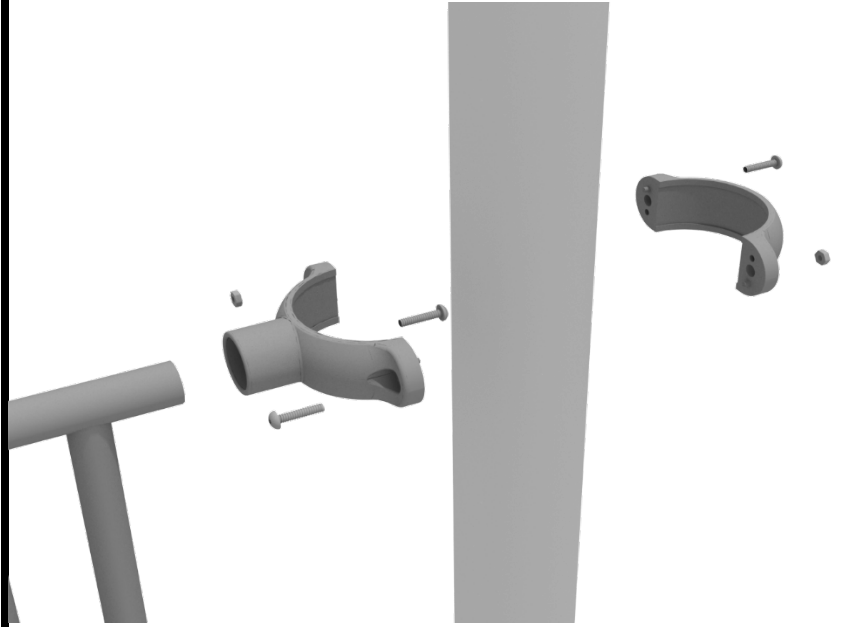
Connect half of the flat clamp to the component using one (1) M8\*40 bolt. Then, using the other half of the flat clamp and the hardware provided in the clamp hardware bag, attach the backside of the flat clamp around the post.



## 3.5-inch Clamp Installation Examples

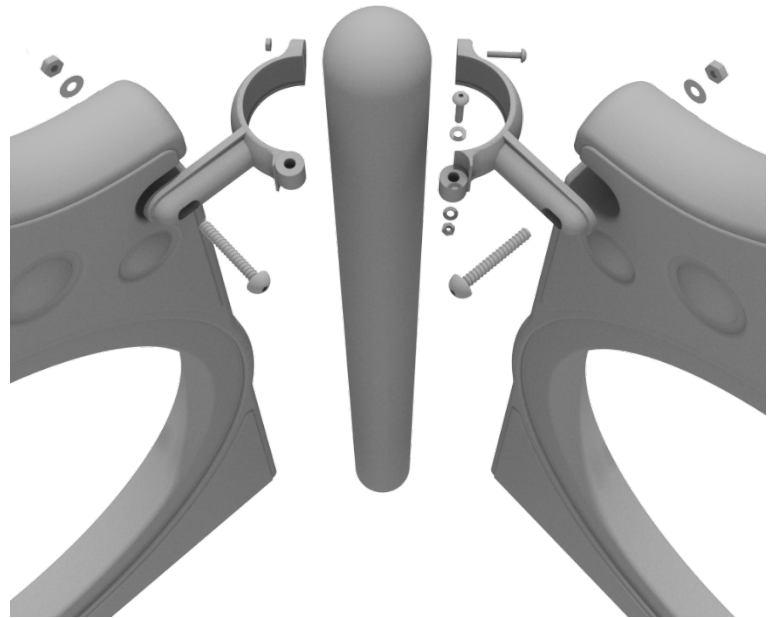
### 3.5-inch Tube Clamp Install Example

Connect half of the clamp to the component using one (1) M8\*30 bolt. Then, using the other half of the tube clamp and the hardware provided in the clamp hardware bag, attach the backside of the tube clamp around the post.



### 3.5-inch 90-Degree Flat Clamp Install Example

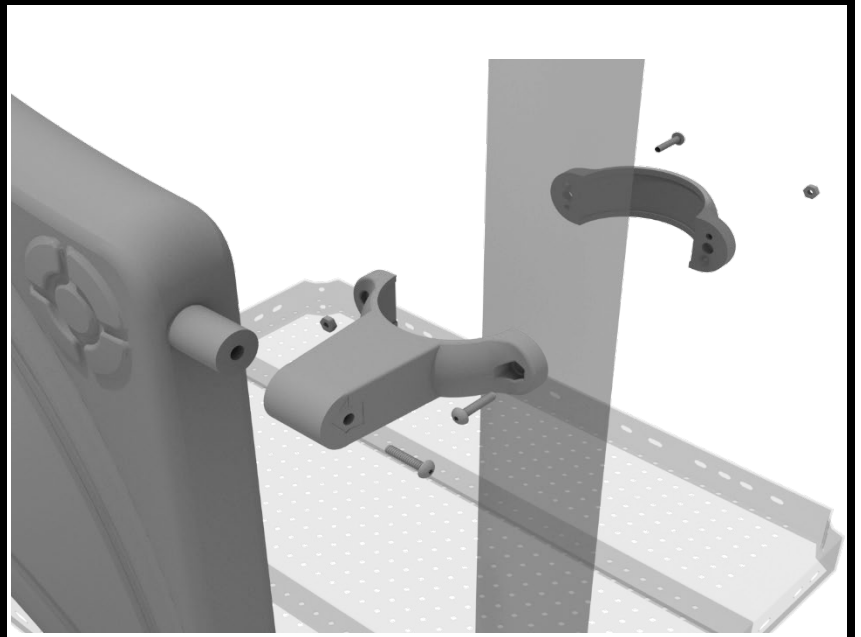
Connect half of the flat clamp to one panel using one (1) M8\*40 bolt. Then, using the other half of the flat clamp and the hardware provided in the clamp hardware bag, attach the other half of the tube clamp around the post. Then, attach the next panel to the other side of the clamp using the same process.



## 3.5-inch Clamp Installation Examples

### 3.5-inch Double Slide Clamp Install Example

Connect half of the double slide clamp to the double slide hood using one (1) M8\*30 bolt. Then, using the other half of the clamp and the hardware provided in the clamp hardware bag, attach the backside of the double slide clamp around the post.



# Square Deck Installation

## STEP: 1

After the posts are in place, using four (4) M10\*35 Bolts, eight (8) M10 Washers, and four (4) M10 Lock Nuts, attach each square deck to each pre-attached deck clamp as shown in the image.

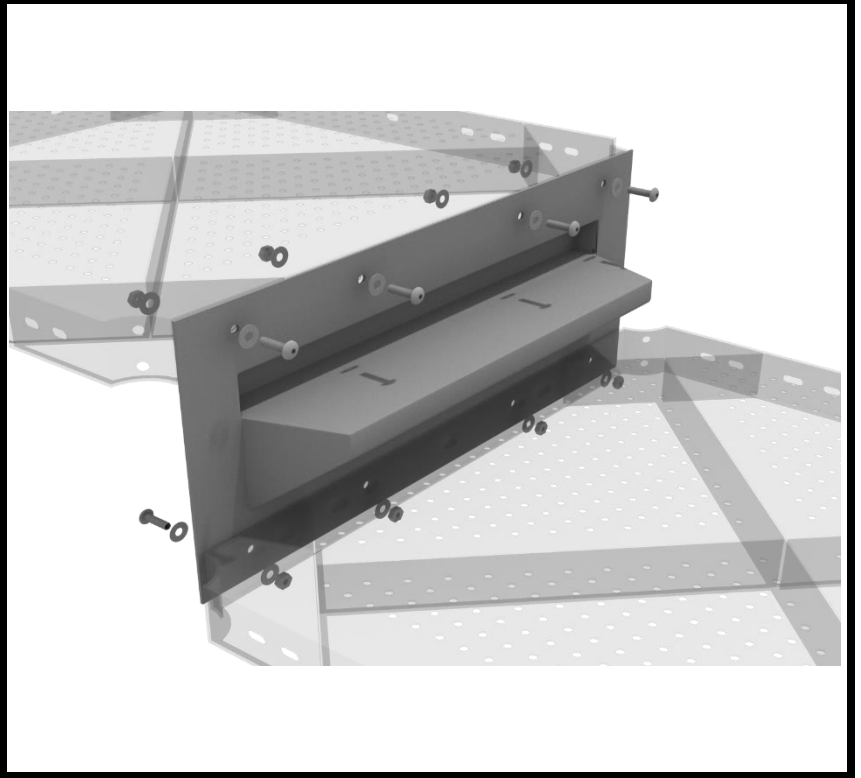
Deck clamps are pre-attached to the posts and should not be altered in any way.



# Kickplate Install

## STEP: 1

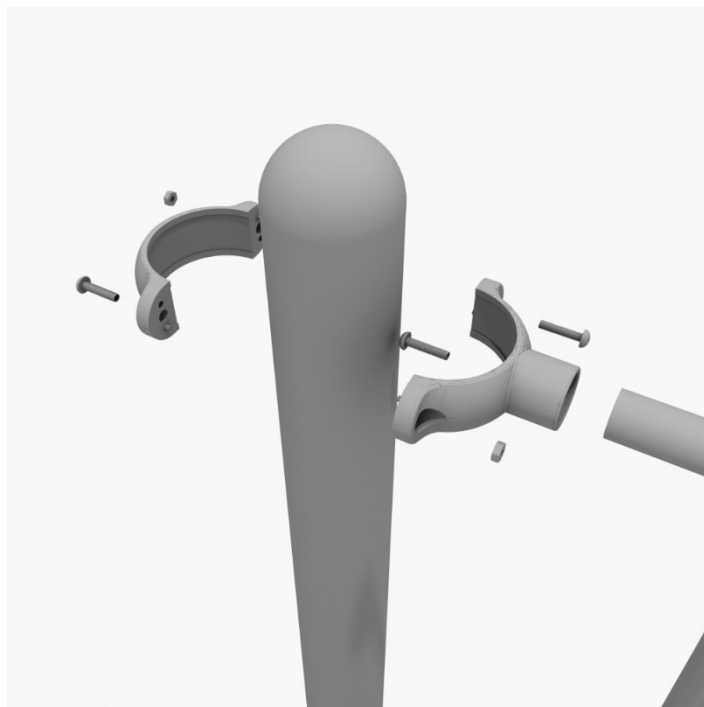
Using eight (8) M10\*25 bolts, sixteen (16) M10 washers, and eight (8) M10 lock nuts, attach the kickplate to the proper decks.



# 36" Transfer Station (for 3.5" post) Install

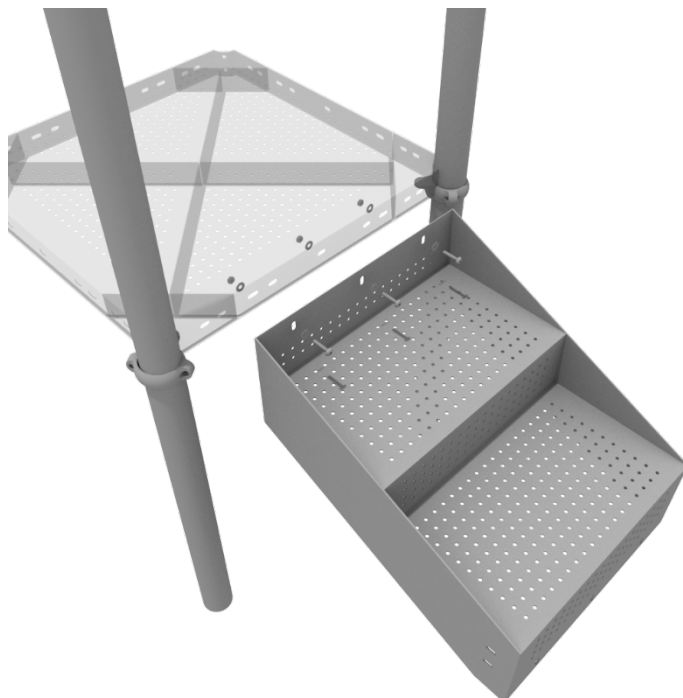
## STEP: 1

Connect half of the 3.5-inch tube clamp to the handrail using one (1) M8\*30 bolt. Set the handrail into place, then attach the second half of the clamp using the hardware provided in the clamp bag. Repeat this process for the other handrail.



## STEP: 2

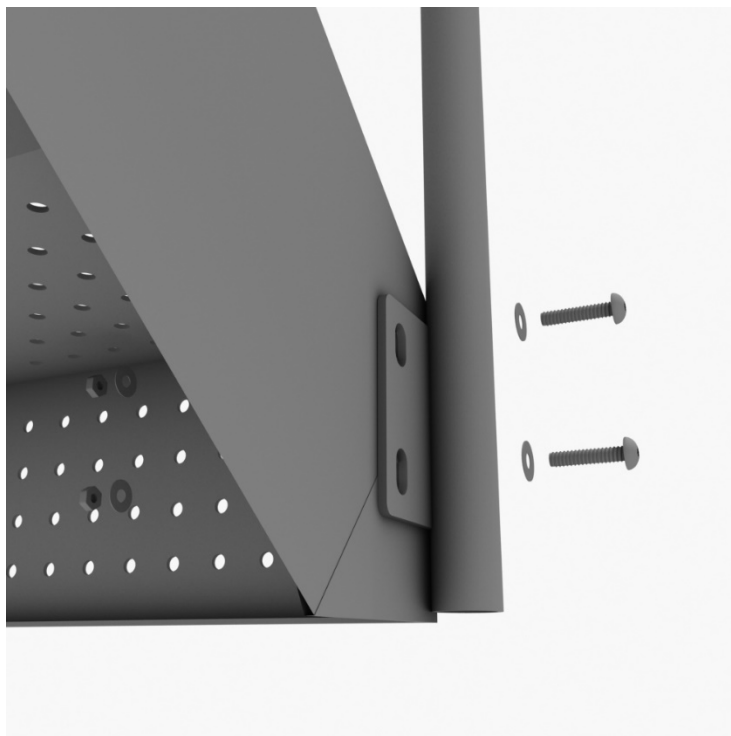
Using three (3) M10\*25 bolts, six (6) M10 washers, and three (3) M10 lock nuts, attach the top of the stairs to the square deck.



# 36" Transfer Station (for 3.5" post) Install

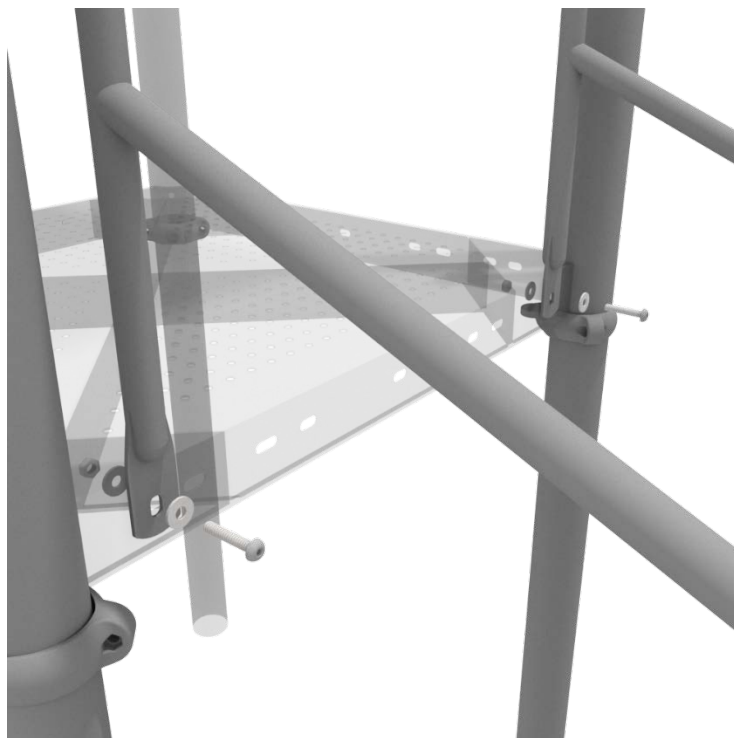
## STEP: 3

Using four (4) M10\*25 bolts, eight (8) M10 washers, and four (4) M10 lock nuts, connect the bottom of the handrails to the bottom of the 3-foot transfer stair.



## STEP: 4

Using two (2) M10\*25 bolts, four (4) M10 washers, two (2) lock nuts, attach the handrail to the square deck.

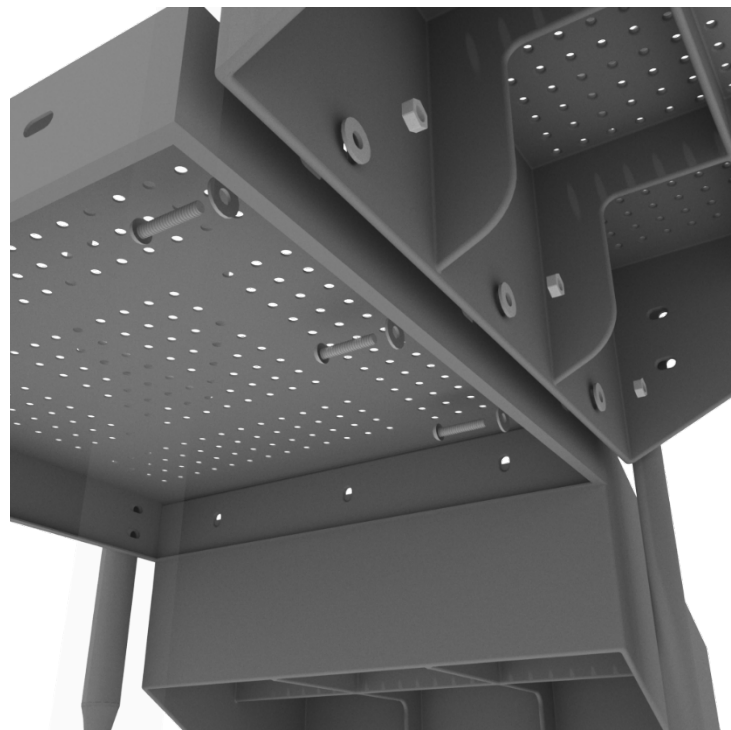




# 36" Transfer Station (for 3.5" post) Install

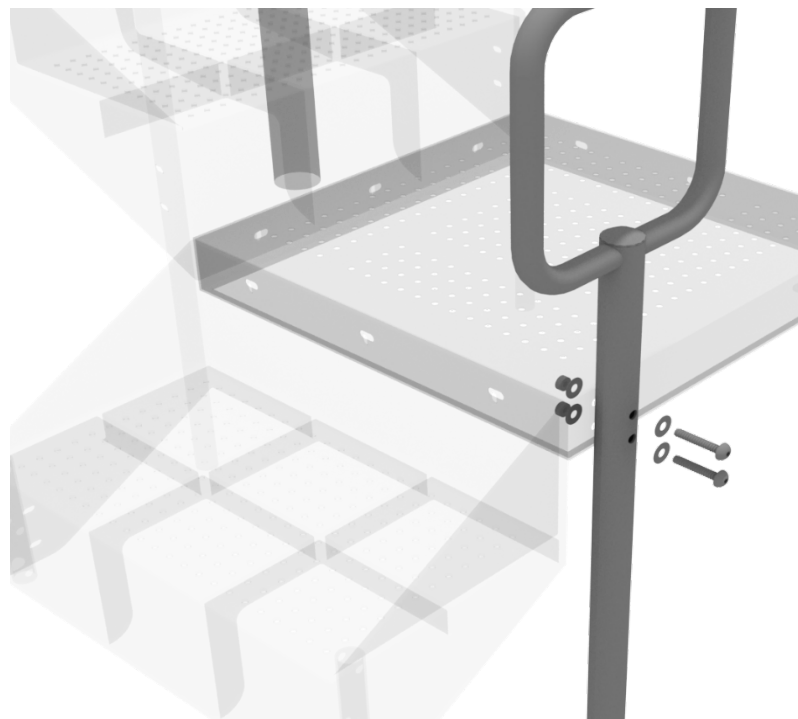
## STEP: 5

Using three (3) M10\*25 bolts, six (6) M10 washers, and three (3) M10 lock nuts, attach the ADA transfer deck to the base of the 3-foot ADA transfer stair.



## STEP: 6

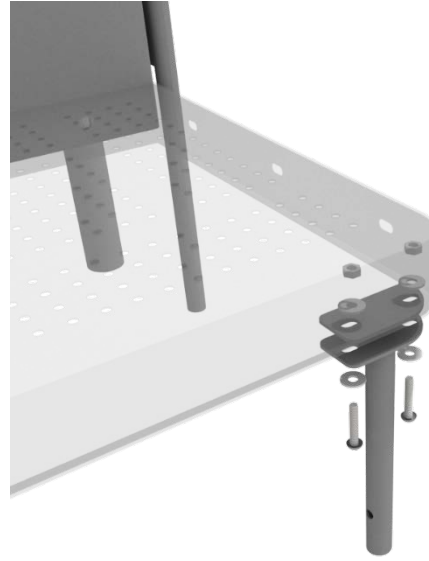
See general installation guide regarding footing information for the transfer deck handrail & mount. Using two (2) M10\*65 bolts, four (4) M10 washers, and two (2) M10 lock nuts, attach the transfer handrail to the ADA transfer deck.



# 36" Transfer Station (for 3.5" post) Install

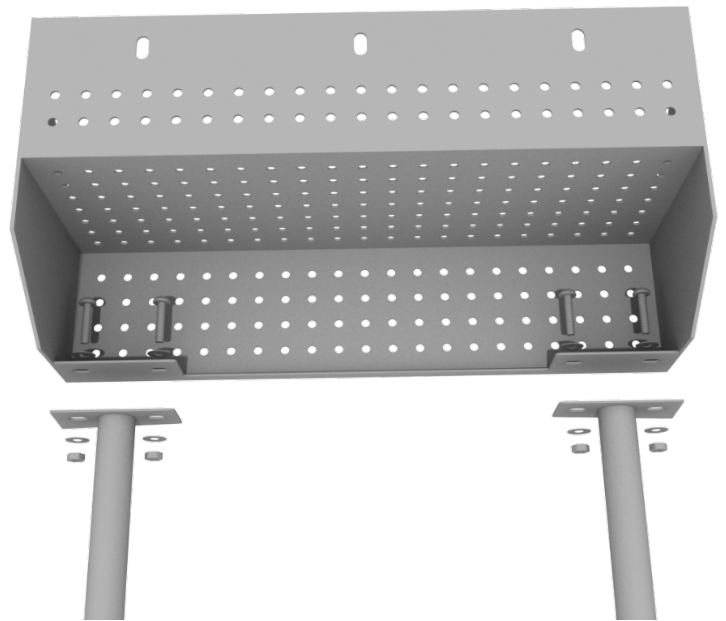
## STEP: 7

Using two (2) M10\*25 bolts, four (4) M10 washers, and two (2) lock nuts, attach the transfer deck mount to the ADA transfer deck.



## STEP: 8

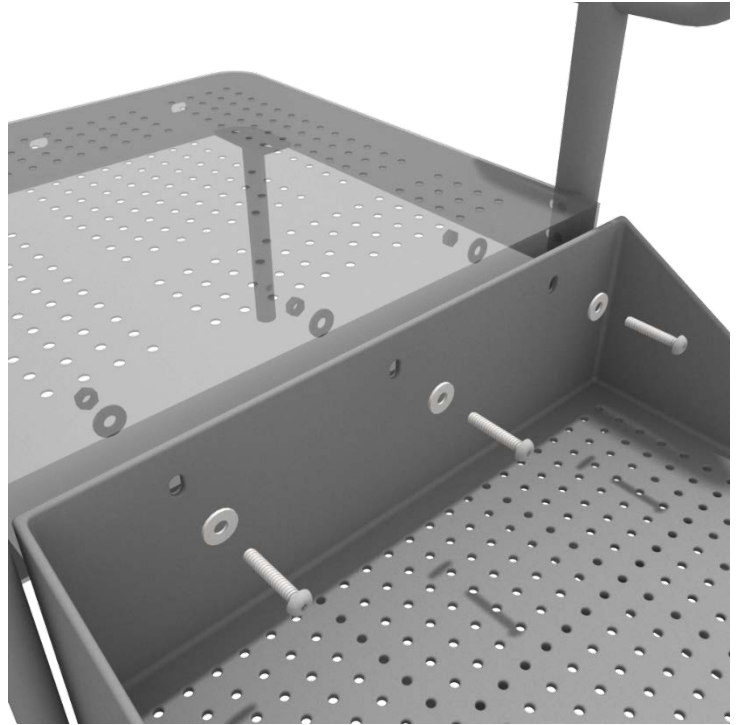
See general installation guide regarding footing information for the ADA transfer step mount. Using two (2) M10 bolts, four (4) M10 washers, and two (2) M10 lock nuts, attach the transfer step to each ADA transfer step mount.



# 36" Transfer Station (for 3.5" post) Install

## STEP: 9

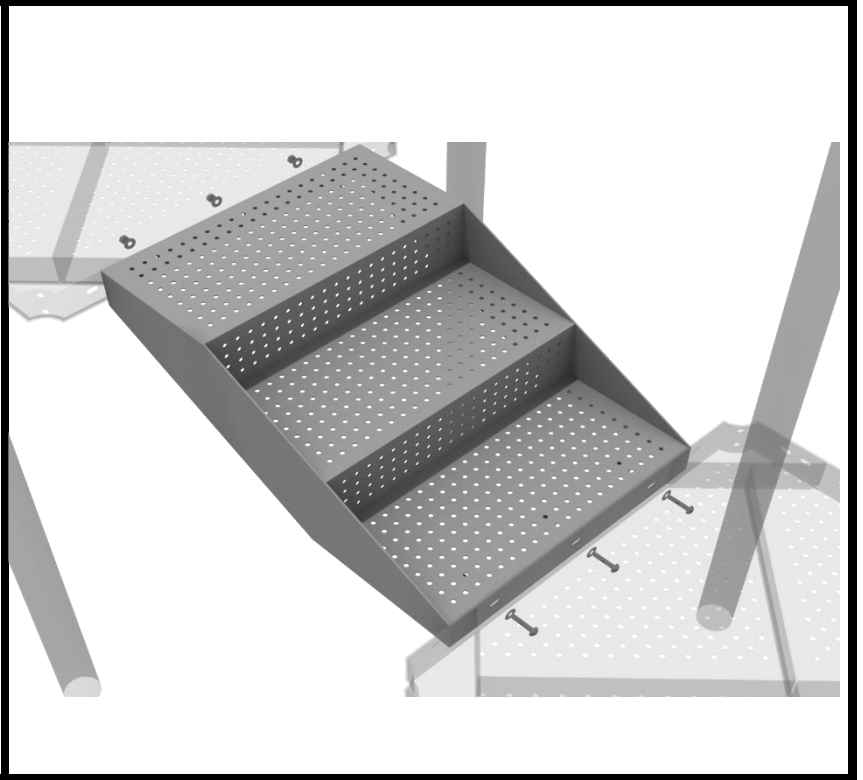
Using three (3) M10\*25 bolts, six (6) M10 washers, and three (3) M10 washers, attach the top of the ADA transfer step to the ADA transfer deck.



# 12-inch Middle Stair Installation

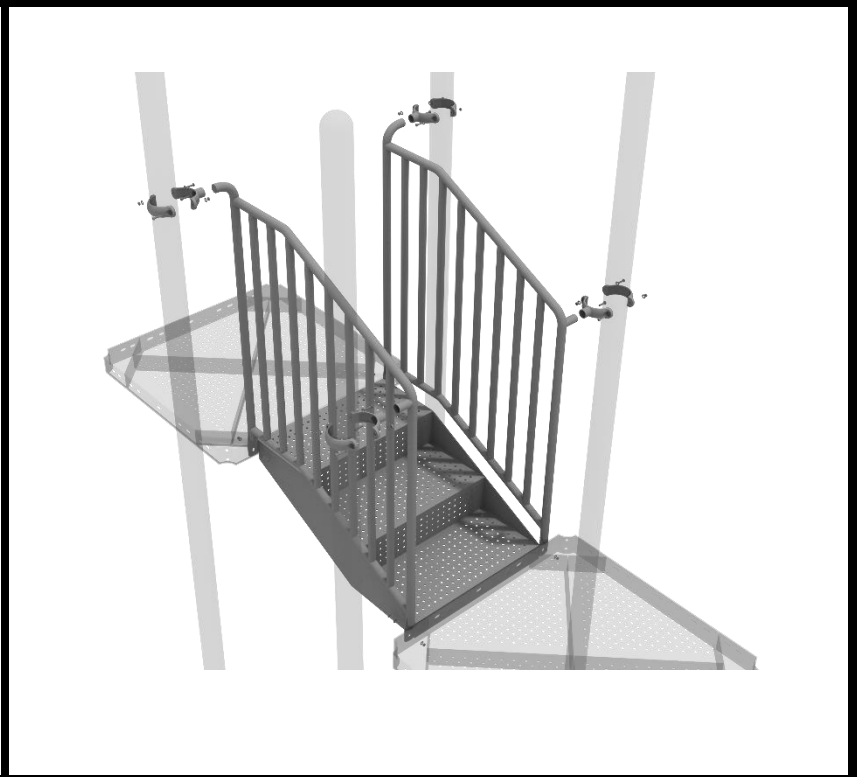
## STEP: 1

Using eight (6) M10\*25 bolts, twelve (12) M10 washers, and six (6) M10 lock nuts, attach the 12-inch middle stair to the assigned decks.



## STEP: 2

Then, once the stair is in place, attach the 12-inch connection handrail to the posts using four (4) 3.5-inch tube clamps, and four (4) M8\*30 bolts. Then, attach the bottom of the handrails to the decks using one (1) M10\*25 bolt, two (2) M10 washers, and one (1) M10 lock nut for each attachment point.



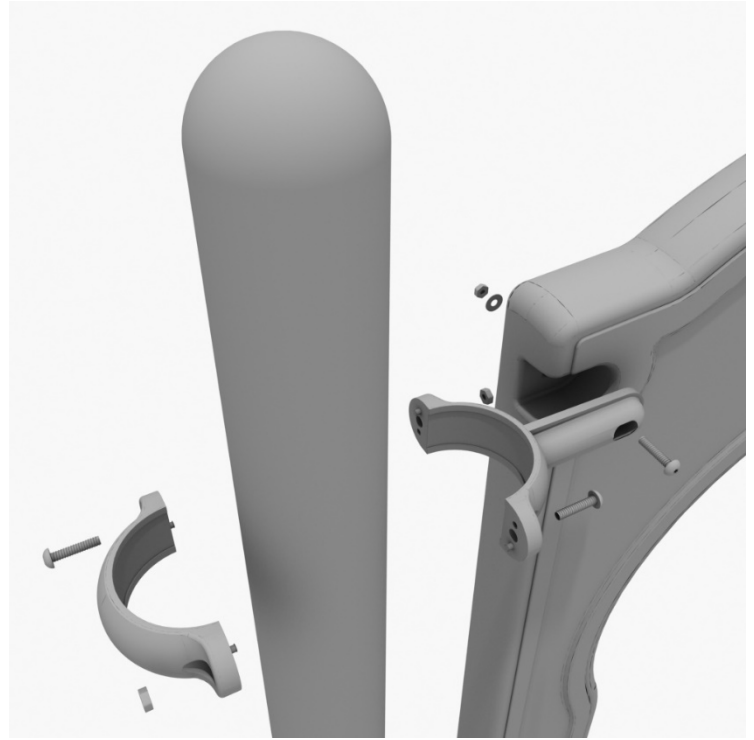
1 Playground Drive  
Greenfield, IN 46140  
1-800-667-0097

Created By: Aaron Price  
Date: 03/29/2018

# 4-foot Left Turn Slide Installation

## STEP: 1

Take one (1) 3.5-inch flat clamp, and loosely attach it around a post using the bolts and nuts provided in the clamp hardware bag. Repeat this process on the other post. Then, use one (1) M8\*40 bolt, one (1) M8 washer, and one (1) M8 lock nut to attach each side of the slide hood to each clamp. Leave bolts loose until slide is in place.



## STEP: 2

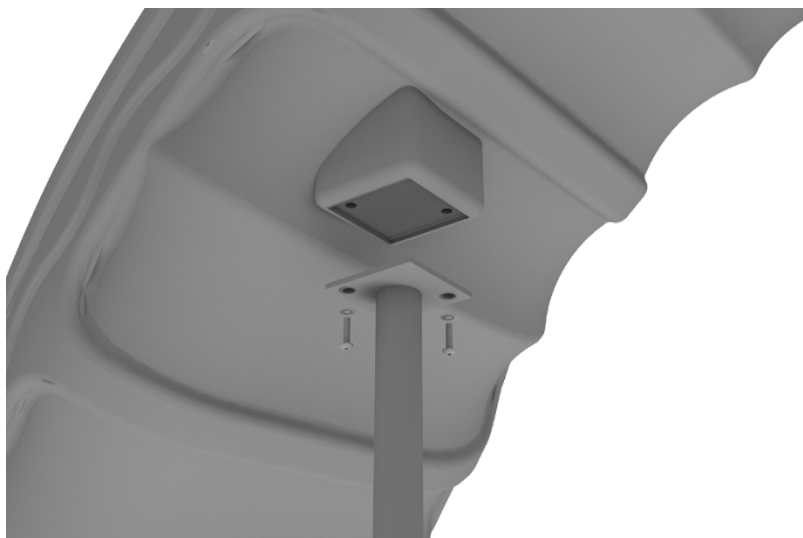
See general installation guide regarding footing information for the slide end mount. Using two (2) M8\*20, two (M8) spring washers. And two (2) M8 washers, attach the slide to the slide support post.



# 4-foot Left Turn Slide Installation

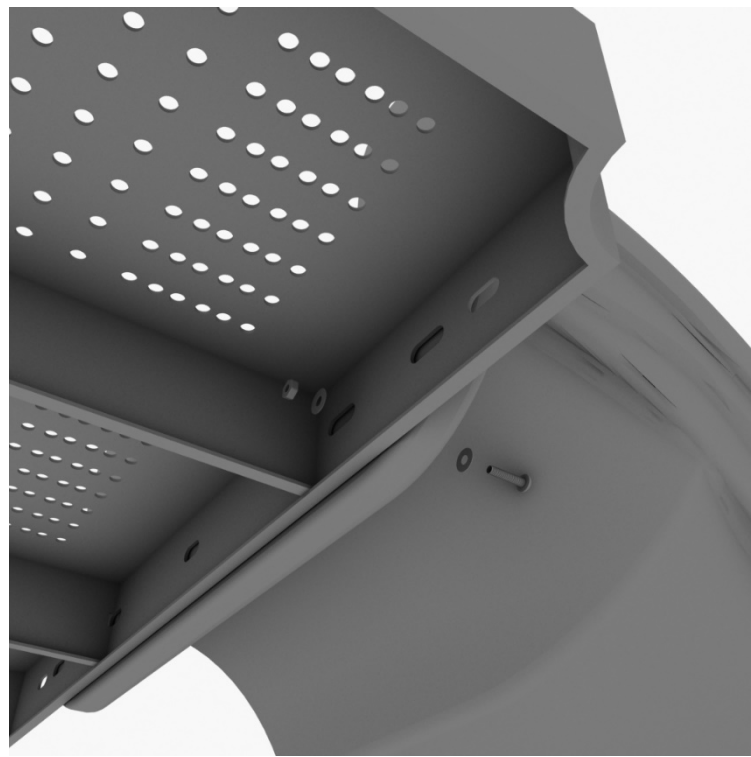
## STEP: 3

See general installation guide regarding footing information for the middle slide support. Using two (2) M8\*20 bolts, two (2) M8 spring washers, and two (2) M8 washers, attach the middle slide support post.



## STEP: 4

Using one (1) M10\*45 bolt, two (2) M10 washers, and two (2) M10 lock nuts, attach one side of the slide to the deck.



# 4-foot Left Turn Slide Installation

## STEP: 5

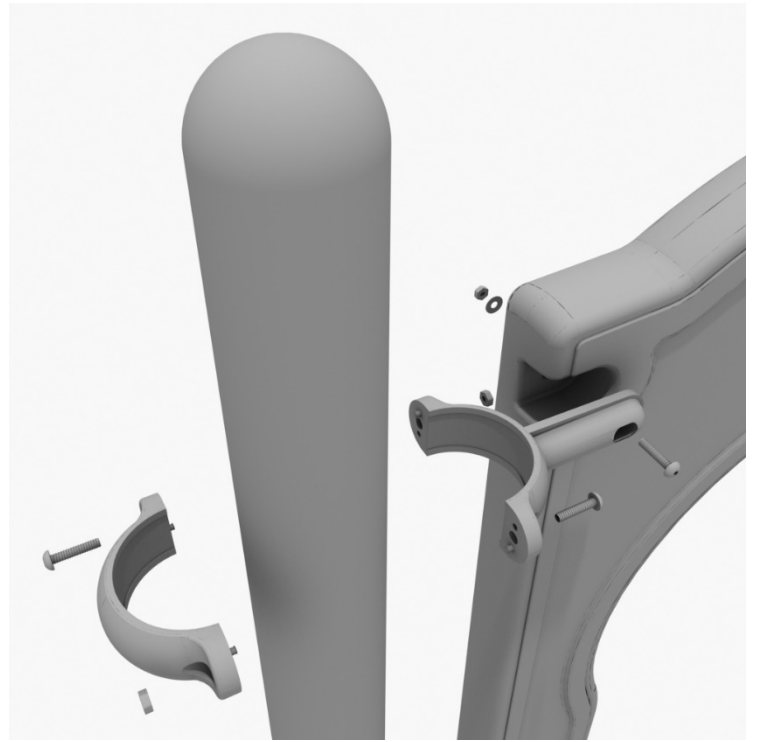
Using one (1) M8\*45 bolt, one (1) M8 washer, one (1) M12 washer, and one (1) M12 inner hex spiral nut, attach the slide to one side of the slide hood. Repeat this process for the other side of the slide.



# 6-foot Single Wave Slide Installation

## STEP: 1

Take one (1) 3.5-inch flat clamp, and loosely attach it around a post using the bolts and nuts provided in the clamp hardware bag. Repeat this process on the other post. Then, use one (1) M8\*40 bolt, one (1) M8 washer, and one (1) M8 lock nut to attach each side of the slide hood to each clamp. Leave bolts loose until slide is in place.



## STEP: 2

See general installation guide regarding footing information for the slide end mount. Using two (2) M8\*20, two (M8) spring washers. And two (2) M8 washers, attach the slide to the slide support post.



1 Playground Drive  
Greenfield, IN 46140  
1-800-667-0097

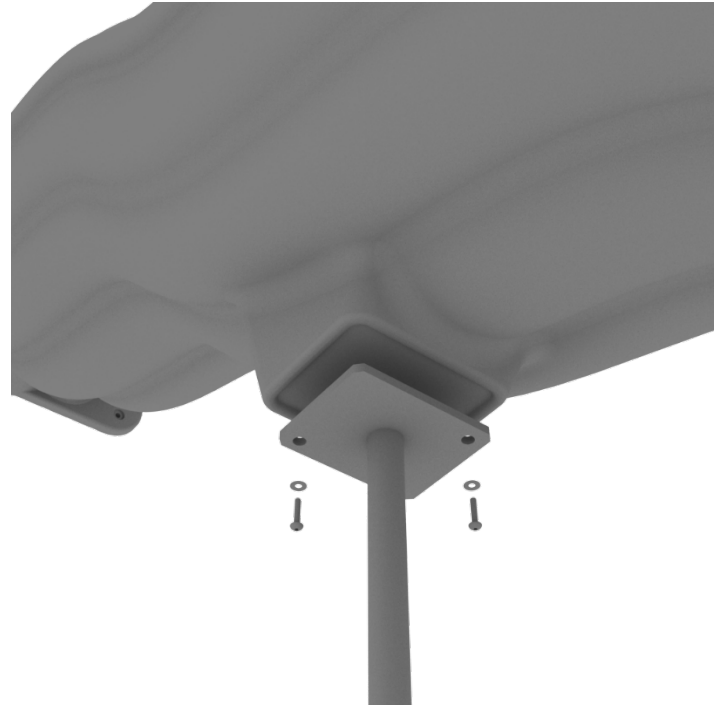
Created By: Aaron Price  
Date: 03/19/2018



# 6-foot Single Wave Slide Installation

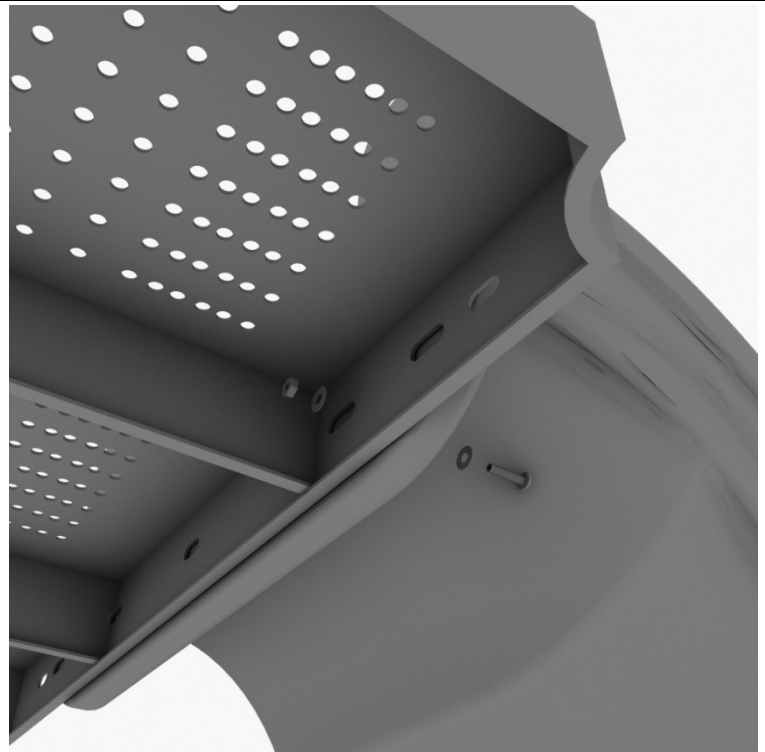
## STEP: 3

See general installation guide regarding footing information for the middle slide support. Using two (2) M8\*20 bolts, two (2) M8 spring washers, and two (2) M8 washers, attach the middle slide support post. Repeat the process for each middle slide mount.



## STEP: 4

To attach a single slide to a deck, use two (2) M10\*45 bolts, four (4) M10 washers, and two (2) M10 lock nuts. Repeat this process for the other side of the slide. Repeat this process for each single slide.



# 6-foot Single Wave Slide Installation

## STEP: 5

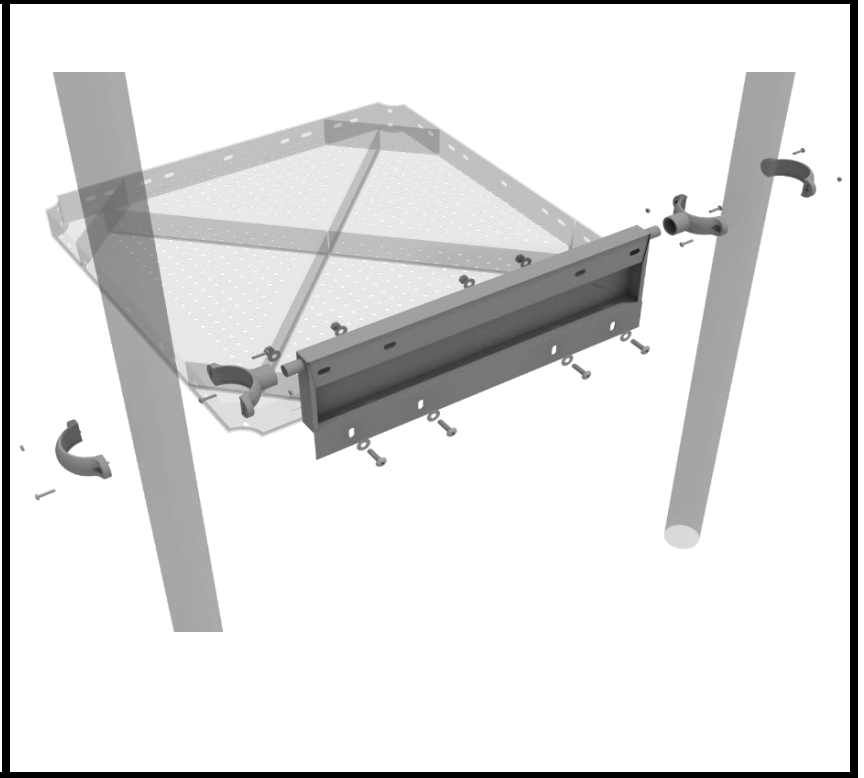
Using two (2) M8\*45 bolts, two (2) M8 washer, two (2) M12 washers, and one (1) M12 inner hex spiral nut, attach the slide to the slide hood. Repeat this process for the other side of the slide.



# Spiral Slide Installation

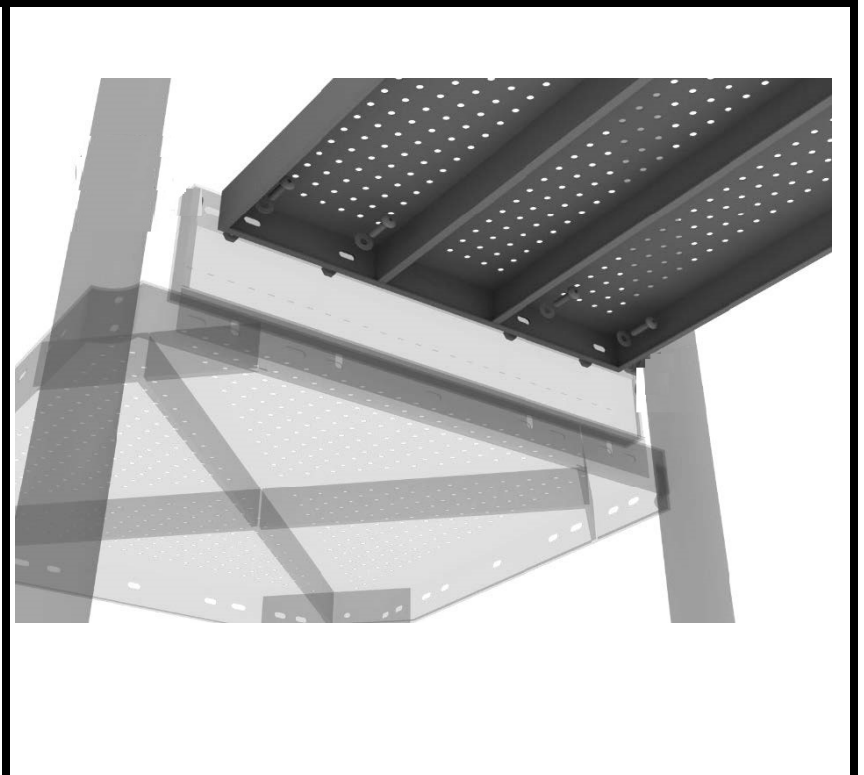
## STEP: 1

Attach the spiral slide kick plate to the proper square deck using four (4) M10\*25 bolts, eight (8) M10 washers, four (4) M10 lock nuts.



## STEP: 2

Attach the spiral slide deck to the top of the spiral slide kick plate using four (4) M10\*25 bolts, eight (8) M10 washers, and four (4) M10 lock nuts.



1 Playground Drive  
Greenfield, IN 46140  
1-800-667-0097

Created By: Derick H  
Date: 01/05/2020

# Spiral Slide Installation

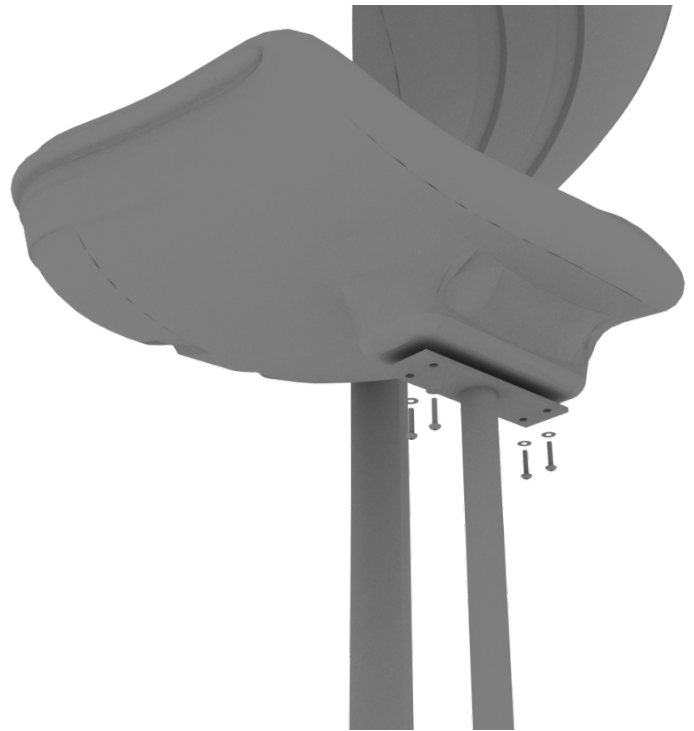
## STEP: 3

Attach the Spiral Slide Deck Support Post to the Spiral Slide Deck using two (2) M10\*25 Bolts, four (4) M10 Washers, and two (2) M10 Lock Nuts.



## STEP: 4

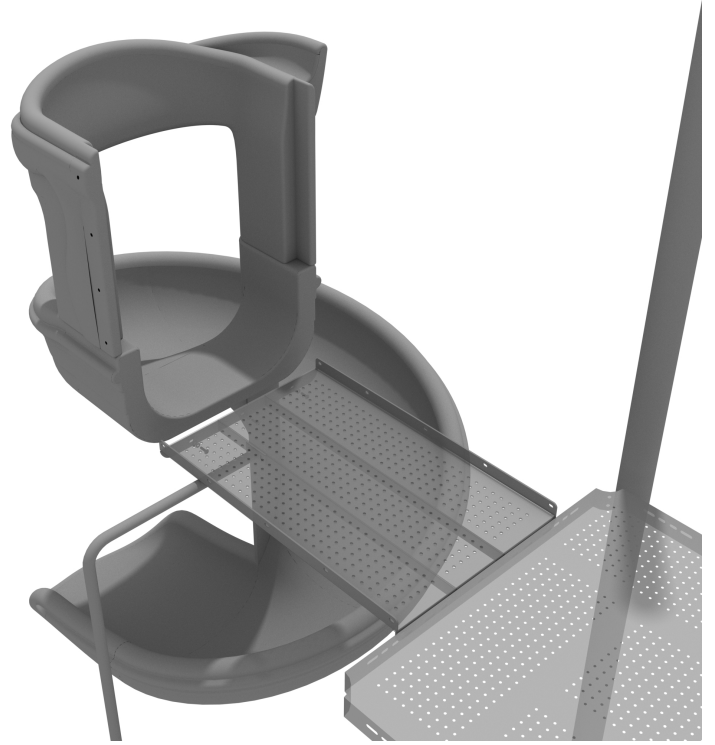
Connect the Spiral Slide Mount to the bottom of the Spiral Slide using four (4) M10\*20 Bolts, four (4) M10 Spring Gaskets, and four (4) M10 Washers. Refer to the General Installation Guide for information on slide footings.



# Spiral Slide Installation

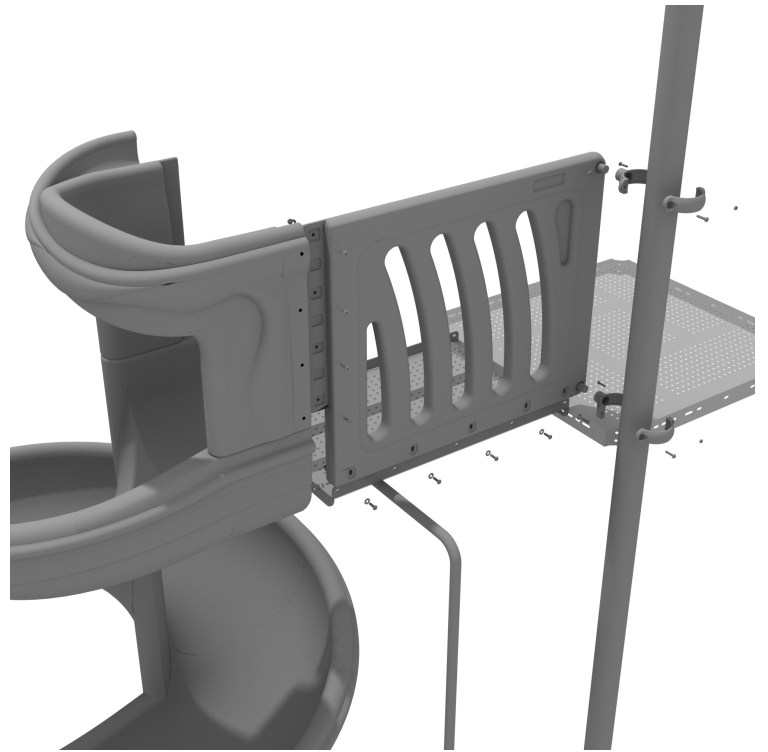
## STEP: 5

See general installation guide regarding footing information for slides and support posts. Connect the Spiral Slide to the Spiral Slide Deck using three (3) M10\*20 Bolts, three (3) M10 Spring Gaskets, and three (3) M10 Washers.



## STEP: 6

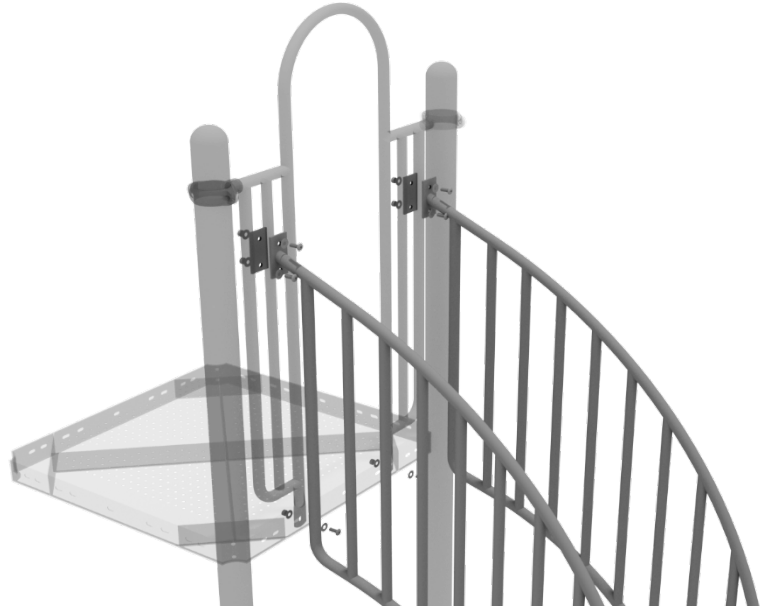
Attach the Spiral Slide Handrail to the Spiral Slide Deck using five (5) M8\*60 Bolts, five (5) M8 Washers, five (5) M12 Washers, and five (5) M12 Inner Hex Nuts. Connect spiral slide panels to slide using four (4) M10\*50 bolts, four (4) M10 washers, four (4) M10 lock nuts for each panel. Connect the handrails to the posts using two (2) tube clamps. Repeat this process for the other handrail.



# Pebble Step Handrail Installation

## STEP: 1

See general installation guide regarding footing information for the pebble step handrail. Attach the climber to the arch rail brackets using four (4) M10\*25 bolts, four (4) M10 washers, and four (4) M10 washers.



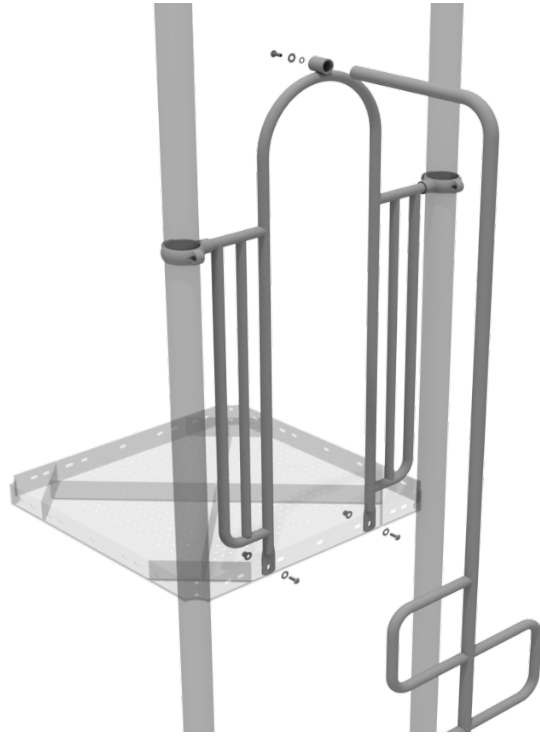
1 Playground Drive  
Greenfield, IN 46140  
1-800-667-0097

Created By: Aaron Price  
Date: 05/07/2018

# Snake Climber Installation

## STEP: 1

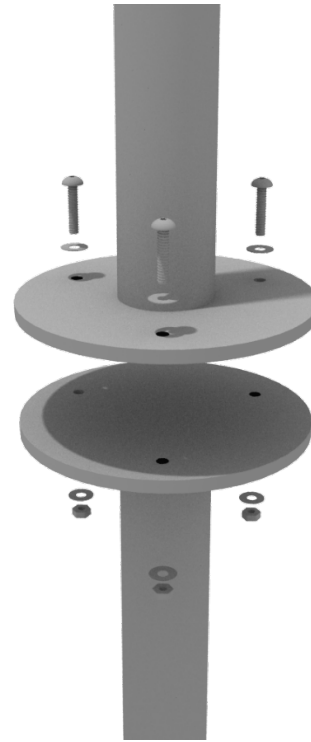
See general installation guide regarding footing information for the snake climber. Attach the top of the climber to the designated arch rail top bracket using one (1) M10\*20 bolt, one (1) M10 spring washer, and one (1) M10 washer.



# Pod Climber Installation

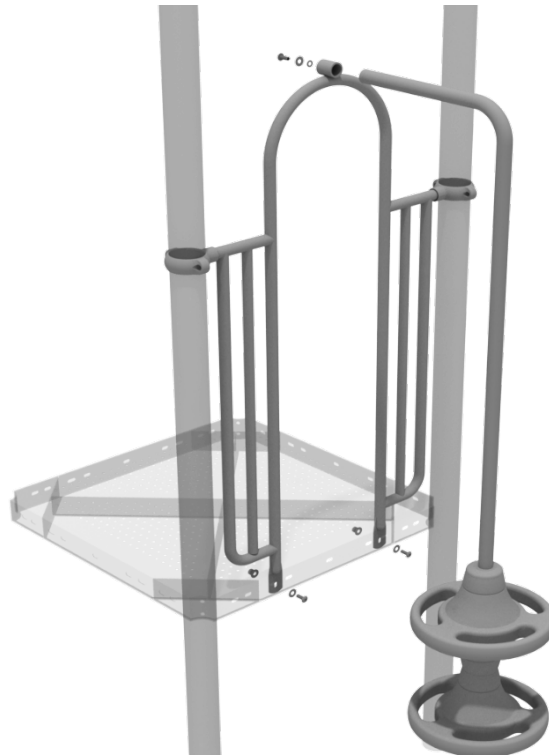
## STEP: 1

See general installation guide regarding footing information for the pod climber. Attach the circle end mount to the bottom of the climber using the pre-attached hardware. Each attachment uses three (3) M10\*20 bolts, three (3) M10 spring gaskets, and one (3) M10 large gaskets.



## STEP: 2

Attach the top of the climber to the designated arch rail top bracket using one (1) M10\*20 bolt, one (1) M10 spring washer, and one (1) M10 washer.



1 Playground Drive  
Greenfield, IN 46140  
1-800-667-0097

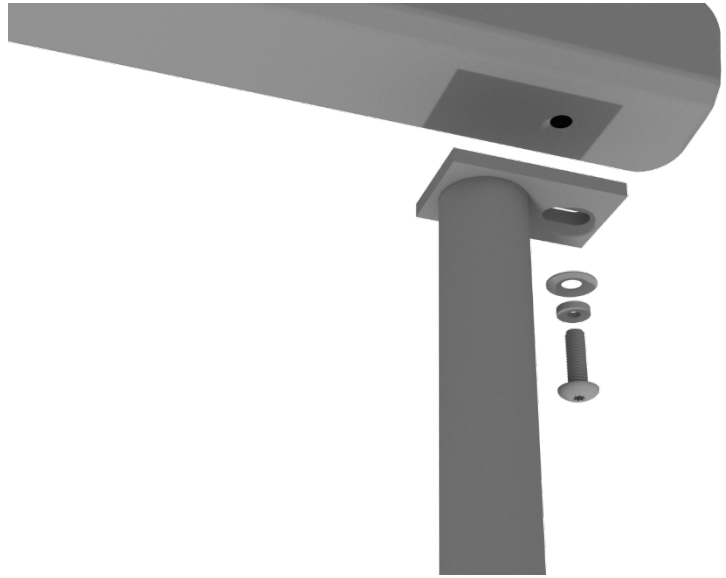
Created By: Aaron Price  
Date: 03/21/2018



# Sea Creature Climber Installation

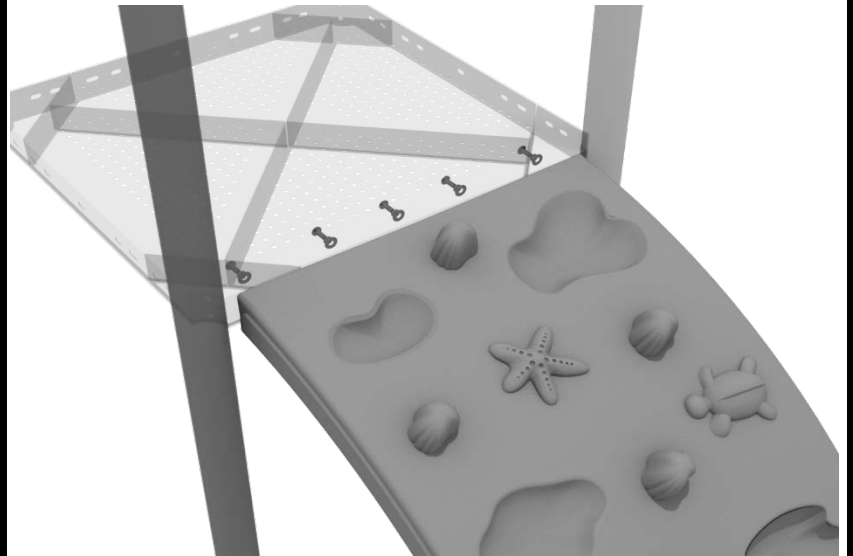
## STEP: 1

See general installation guide regarding footing information for the Sea Creature climber. Using two (2) M10\*20 bolts, two (2) M10 spring gaskets, and two (2) M10 washers, attach the bottom of the Sea Creature climber to the climber support posts.



## STEP: 2

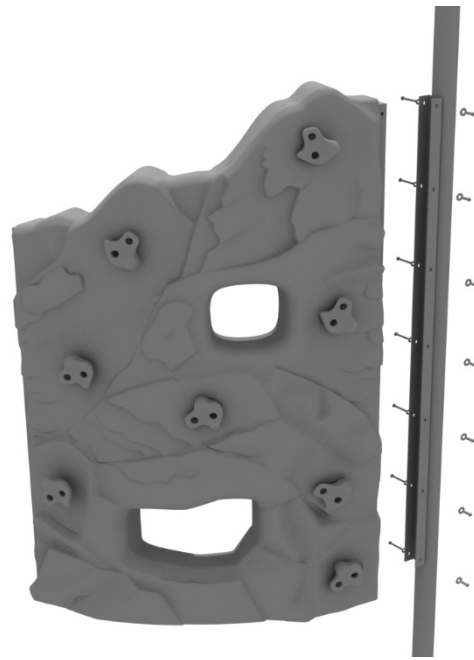
Then using five (5) M10\*20 bolts, five (5) M10 spring gaskets, and five (5) M10 washers, attach the top of the Sea Creature climber to the deck.



# Craggy Climber End and Turn Installation

## STEP: 1

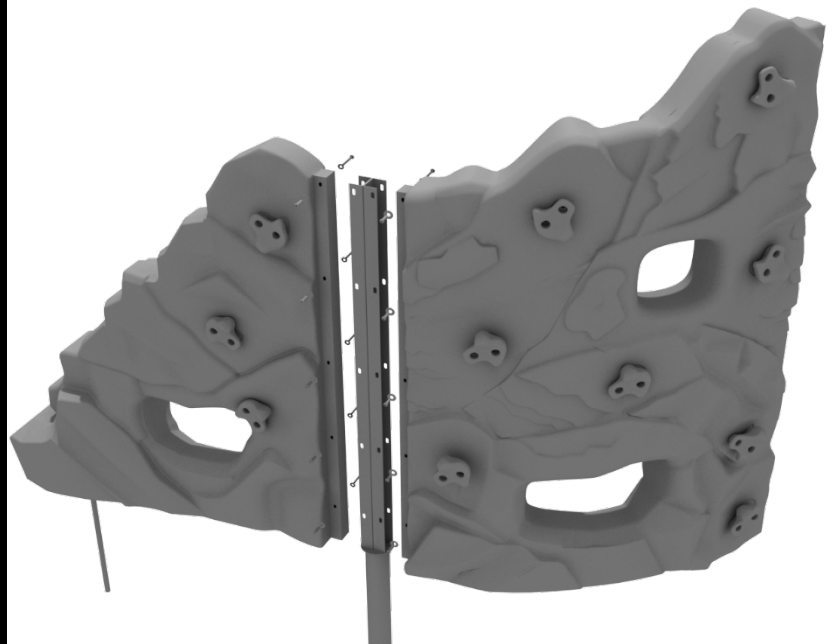
Connect the Craggy Turn Section to the Post of the structure using ten (10) M12 bolts, ten (10) M8\*60 inner hex screws, ten (10) M12 washers, and ten (10) M8 washers.



## STEP: 1

Connect the Craggy End and Craggy Turn sections together using the craggy climber short bracket. The craggy climber short bracket uses ten (10) M12 bolts, ten (10) M8\*60 inner hex screws, ten (10) M12 washers, and ten (10) M8 washers.

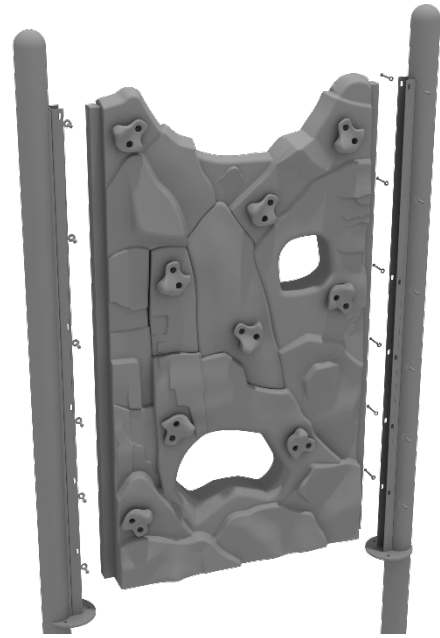
See the General Install Instructions document regarding footing information for climbers.



## STEP: 1

Refer to the General Installation Instructions footing section for information on climber footings.

The Craggy Climber Straight Section attaches on both ends. Each connection point uses seven (7) M12 barrel nuts, seven (7) M8\*60 bolts, seven (7) M12 washers, and seven (7) M8 washers.



## Step: 1

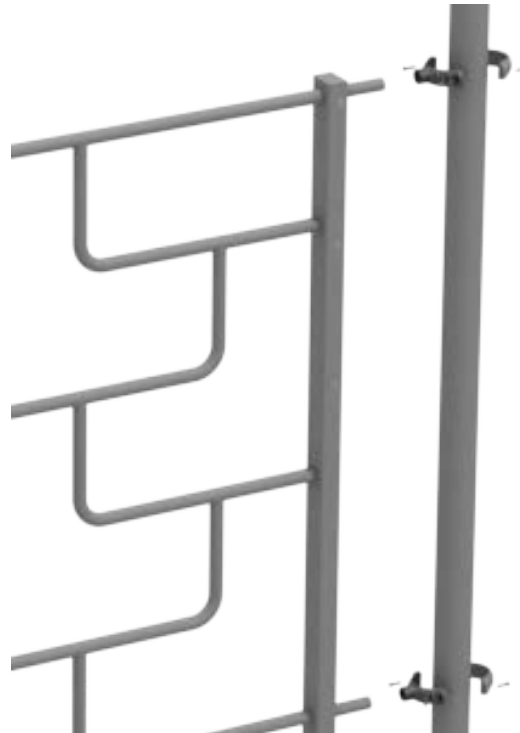
The Craggy PE Wall and Maze Rung Ladder attaches on both sides. Each connection point uses six (6) M12 bolts, six (6) M8\*60 inner hex screws, six (12) M12 washers, and six (12) M8 washers.



## Step: 2

Connect the attachment points of the Maze Run Ladder to the assigned clamps on the post.

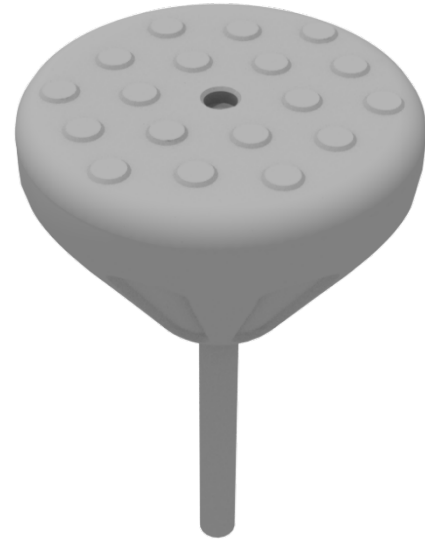
Please refer to the Clamp Installation Guide for clamp to post assembly.



# Pebble Climber Installation

## STEP: 1

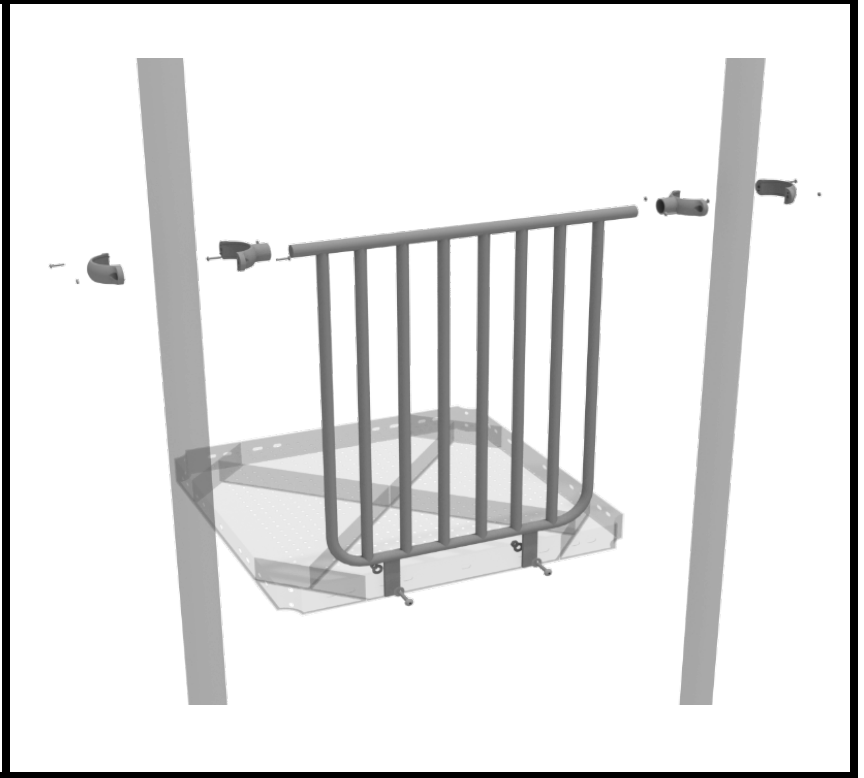
See general installation guide regarding footing information. Pebble climber requires a 12" x 18" footing.



# 3.5-inch Metal Barrier Installation

## STEP: 1

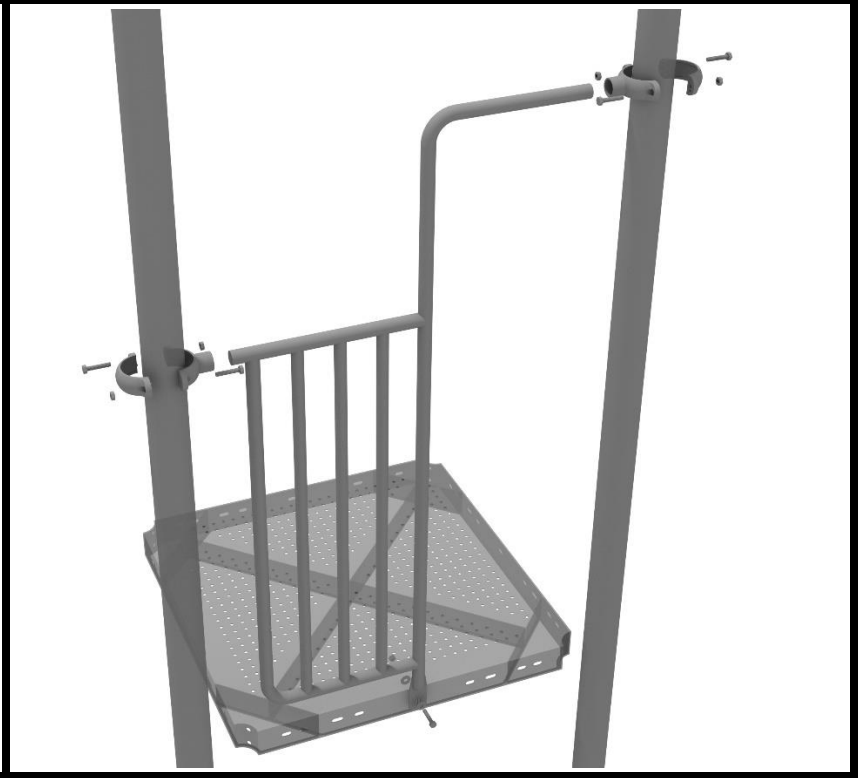
Attach the metal barrier to the designated posts using two (2) tube clamps two (2) M8\*30 bolts. Then, attach the bottom of the metal barrier to the deck using two (2) M10\*25 bolts, four (4) M10 washers, and two (2) M10 lock nuts.



# 3.5" Side Entrance Rail Panel Installation

## STEP: 1

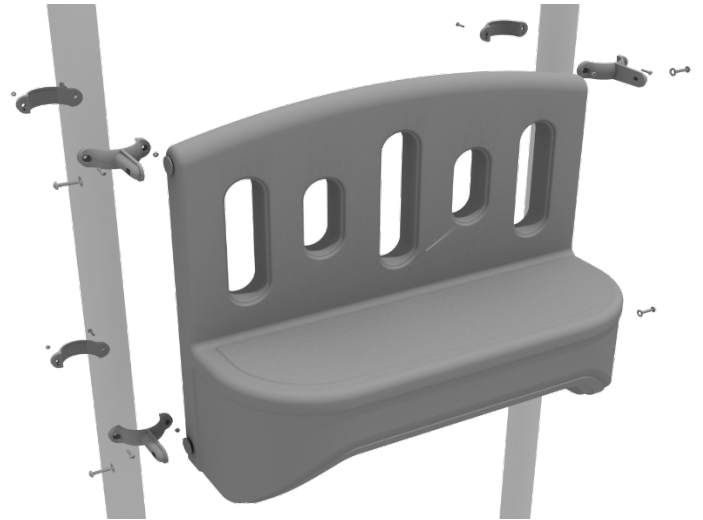
Attach the Arch Rail to the designated posts by connecting half of the tube clamp to the Side Entrance Panel using one (1) M8\*30 bolt. Repeat this process for each post attachment point. Then, attach the rail to the deck using one (1) M10\*25 bolt, two (2) M10 washers, and one (1) M10 lock nut. Finally, attach the second half of the clamp around the post.



# 3.5inch Bench Panel Installation

## STEP: 1

Attach the Bench Panel to the designated posts using four (4) 3.5-inch flat clamps, and four (4) M8\*25 bolts.

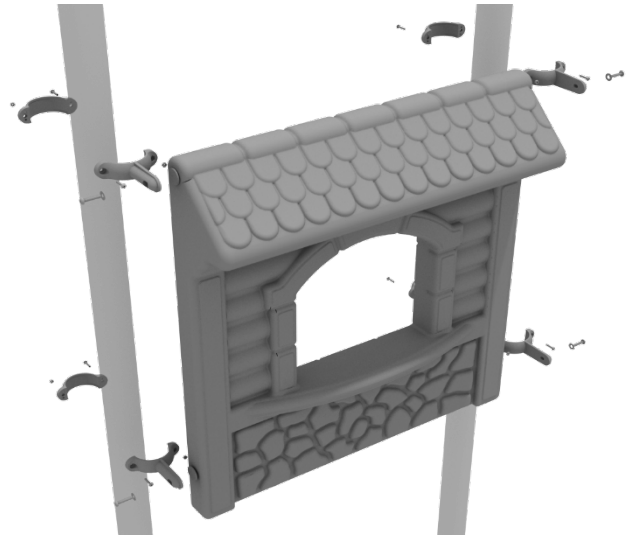




# 3.5-inch Store Panel Installation

## STEP: 1

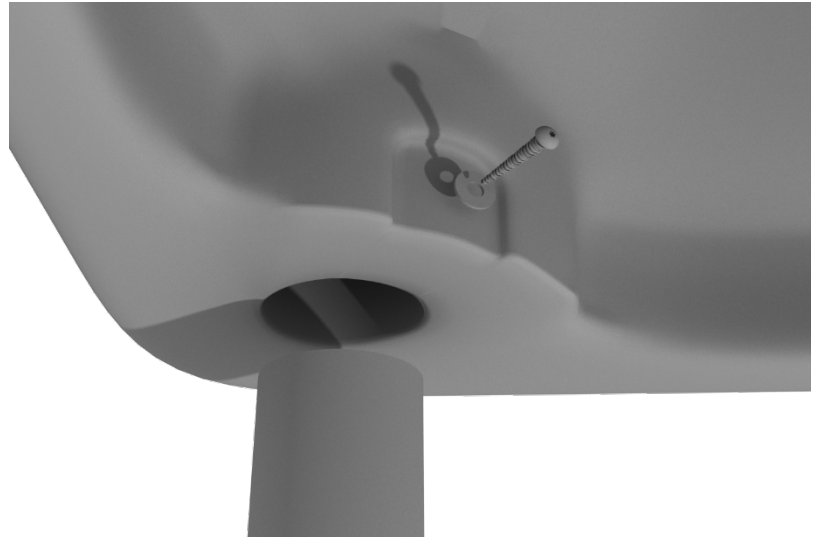
Attach the Store Panel to the designated posts using four (4) 3.5-inch flat clamps, and four (4) M8\*25 bolts.



# Line Roof Installation

## STEP: 1

Set the line roof on top of the posts. Take four (4) self-tapping screws and drill them through the notch at each corner of the roof, into the support posts.



# Hex Roof Install

## STEP: 1

To attach a hex roof, bolt the plastic post caps to the bottom of the roof using six (6) M8\*20 bolts, and six (6) M8 washers. Then place the roof on top of the posts and screw the caps onto the post using eighteen (18) M3\*16 self-tapping screws.

