

## STEP: 1

**DO NOT CEMENT POSTS INTO PLACE  
UNTIL THE ENTIRE STRUCTURE IS  
ASSEMBLED.**

Refer to the General Installation  
guide footing information and dig  
proper holes for the support posts.



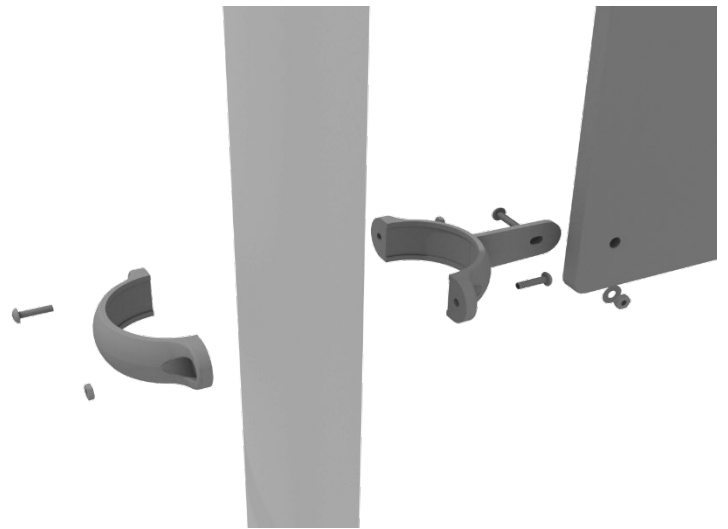
## 4.5-inch Clamp Installation Examples

The following two pages will include examples of how to install some of the most common types of Clamps that are present on our structures that use 4.5-inch outside diameter posts. The structure that you are assembling might not require all the types of clamps listed in these examples.

The Install Guides for specific components that come later in this document might call for a specific type of clamp (a tube clamp for example), those sections will not include detailed instructions for the clamps and should direct you back to this section for more detailed information.

### 4.5-inch Flat Clamp Installation Example

Connect half of the flat clamp to the component using one (1) M8\*30 bolt and Lock Nut. Then, using the other half of the flat clamp and the hardware provided in the clamp hardware bag, attach the backside of the flat clamp around the post.



## 4.5-inch Clamp Installation Examples

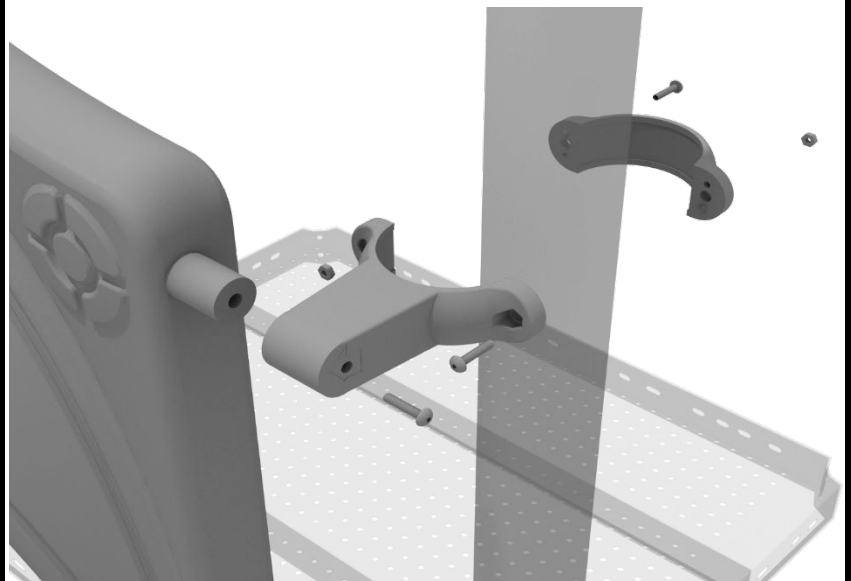
### 4.5-inch Tube Clamp Installation Example

Insert Bar on Component into one half of the Tube Clamp and attach with M4\*25 Set Screw. Then, using the other half of the tube clamp and the hardware provided in the clamp hardware bag, attach the backside of the tube clamp around the post.



### 4.5-inch Double Slide Clamp Installation Example

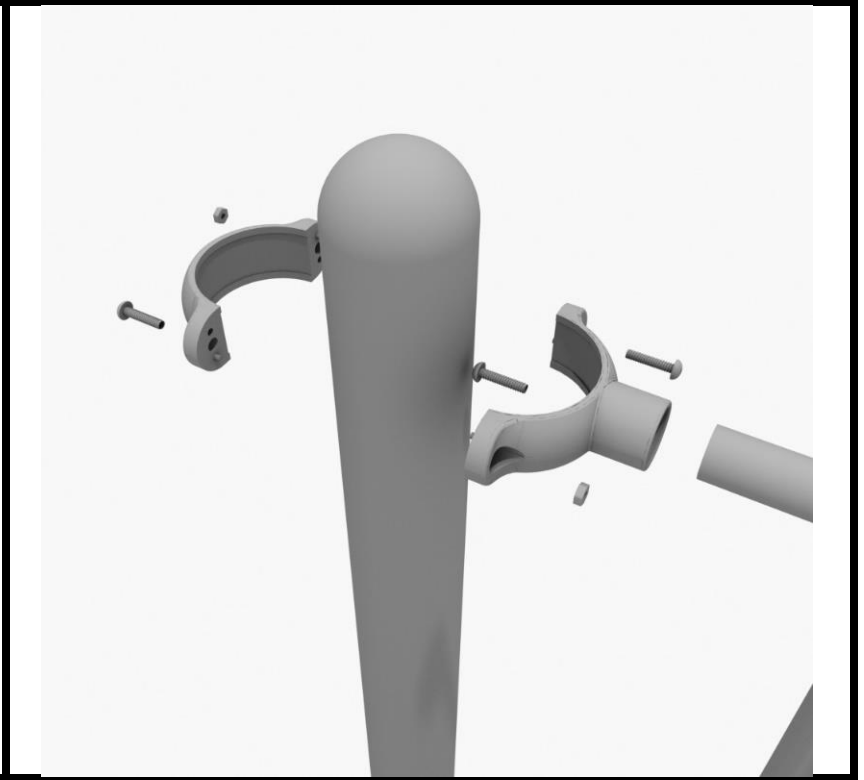
Connect half of the double slide clamp to the double slide hood using one (1) M8\*30 bolt. Then, using the other half of the clamp and the hardware provided in the clamp hardware bag, attach the backside of the double slide clamp around the post.



# 4.5-inch 3-foot Transfer Station Install

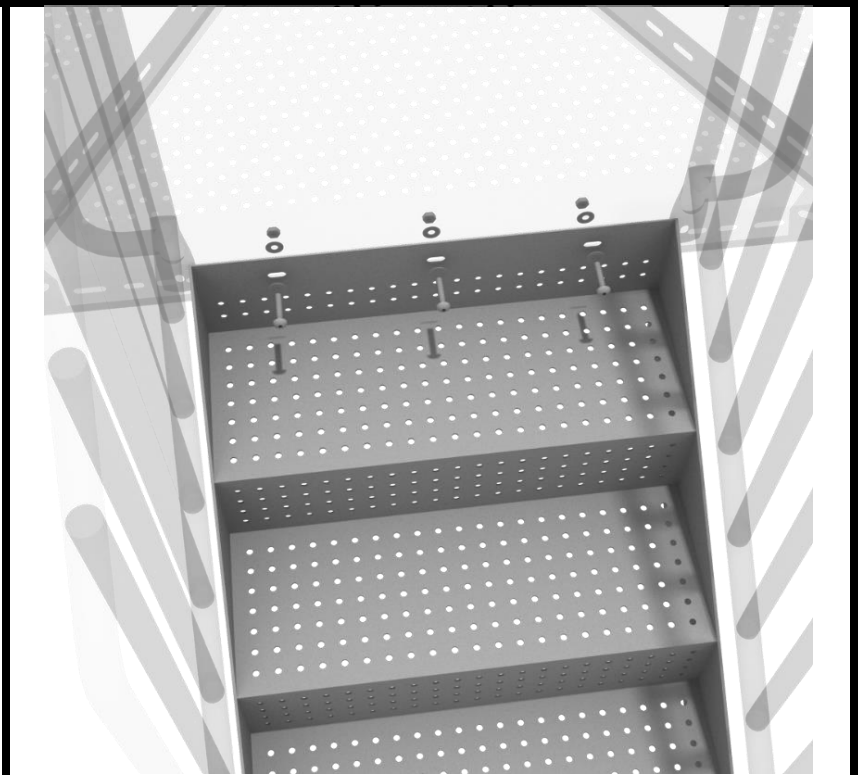
## STEP: 1

Connect half of a tube clamp to the ADA transfer handrail using one (1) M4\*25 self-tapping screw. Set the handrail into place, then attach the second half of the clamp using the hardware provided in the clamp bag. Repeat this process for the other handrail.



## STEP: 2

Using three (3) M10\*25 bolts, six (6) M10 washers, and three (3) M10 lock nuts, attach the top of the stairs to the half hex deck. Then using four (4) M10\*30 bolts, eight (8) M10 washers, and four (4) M10 lock nuts, attach the handrail to the bottom of the stairs. Then, using two (2) M10\*25 bolts, four (4) M10 washers, and two (2) M10 lock nuts, attach the handrails to the deck.



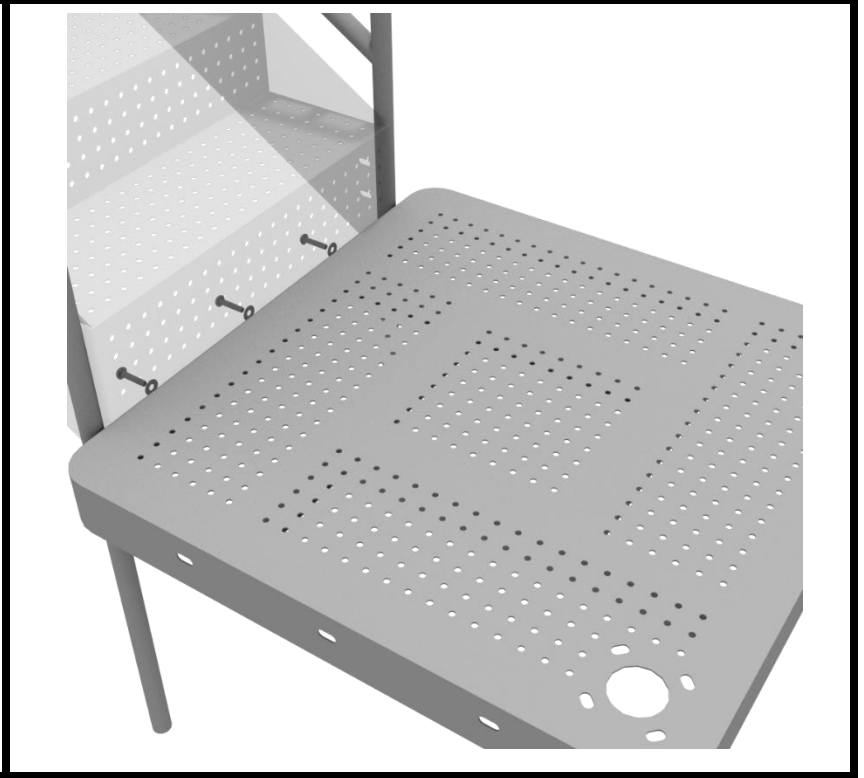
1 Playground Drive  
Greenfield, IN 46140  
1-800-667-0097

Created By: Aaron Price  
Date Modified: 04/25/18

# 4.5-inch 3-foot Transfer Station Install

## STEP: 3

Using three (3) M10\*25 bolts, six (6) M10 washers, and three (3) M10 lock nuts, attach the ADA transfer deck to the base of the 4-foot ADA transfer stair.



## STEP: 4

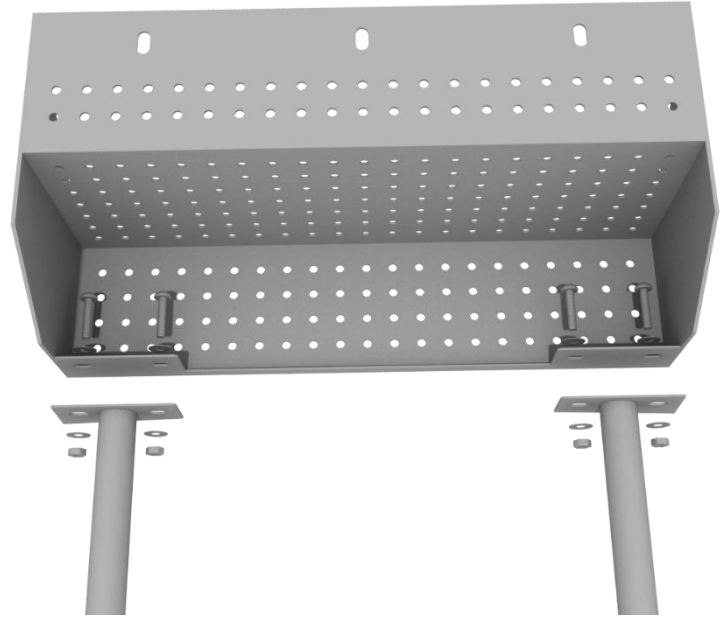
See general installation guide regarding footing information for the transfer deck handrail. Using four (4) M10\*25 bolts, eight (8) M10 washers, and four (4) M10 lock nuts, attach each transfer deck handrail to the ADA transfer deck.



## 4.5-inch 3-foot Transfer Station Install

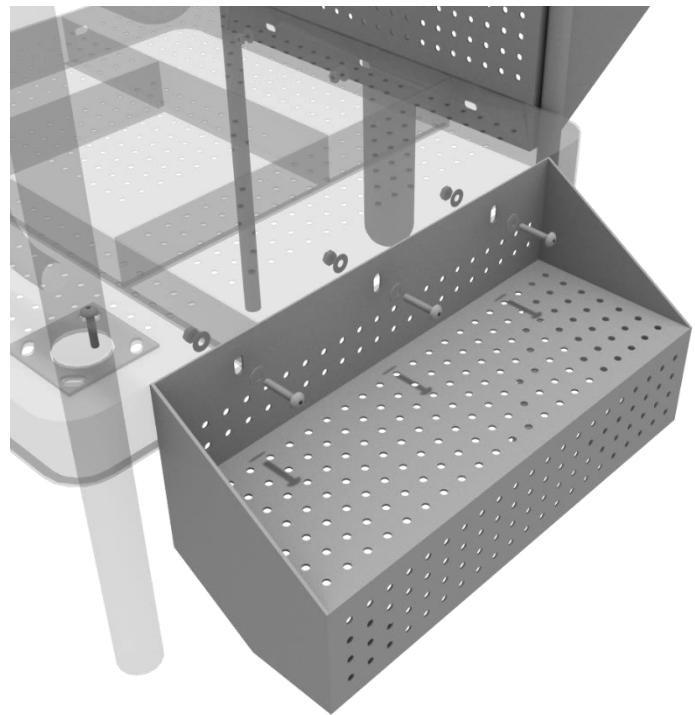
### STEP: 5

See general installation guide regarding footing information for the ADA transfer step mount. Using two (2) M10\*25 bolts, four (4) M10 washers, and two (2) M10 lock nuts, attach the transfer step to each ADA transfer step mounts.



### STEP: 6

Using three (3) M10\*25 bolts, six (6) M10 washers, and three (3) M10 washers, attach the top of the ADA transfer step to the ADA transfer deck.

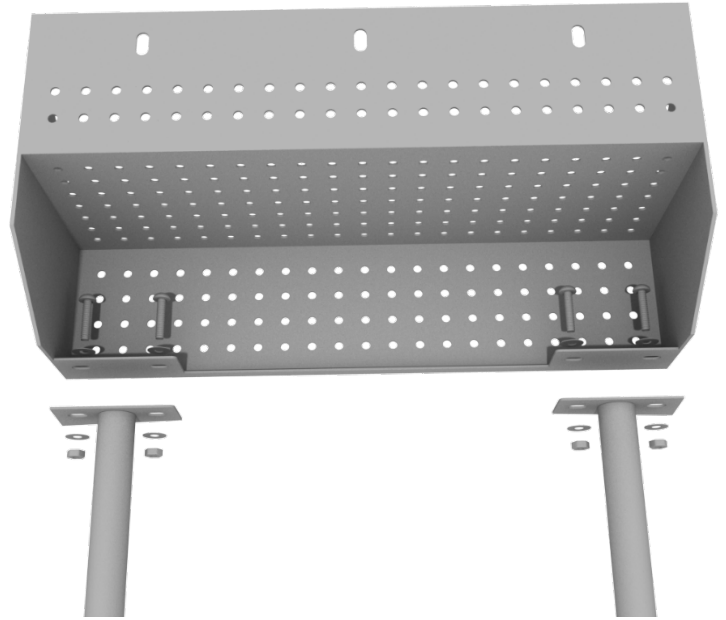




# ADA Step Install

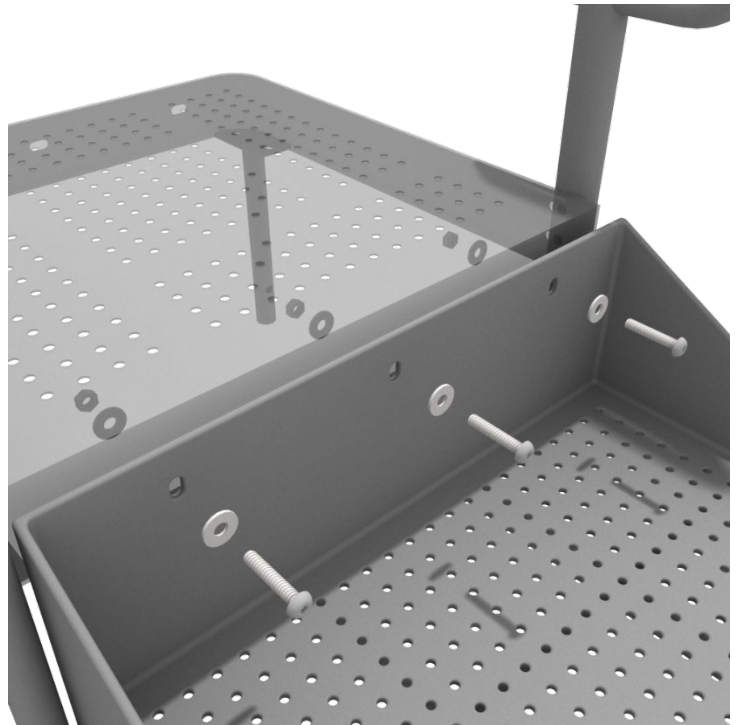
## STEP: 1

See general installation guide regarding footing information for the ADA transfer step mount. Using two (2) M10 bolts, four (4) M10 washers, and two (2) M10 lock nuts, attach the transfer step to each ADA transfer step mount.



## STEP: 2

Using three (3) M10\*25 bolts, six (6) M10 washers, and three (3) M10 washers, attach the top of the ADA transfer step to the ADA transfer deck.



# Square Deck Installation

## STEP: 1

After the posts are in place, using four (4) M10\*35 Bolts, eight (8) M10 Washers, and four (4) M10 Lock Nuts, attach each square deck to each pre-attached deck clamp as shown in the image.

Deck clamps are pre-attached to the posts and should not be altered in any way.

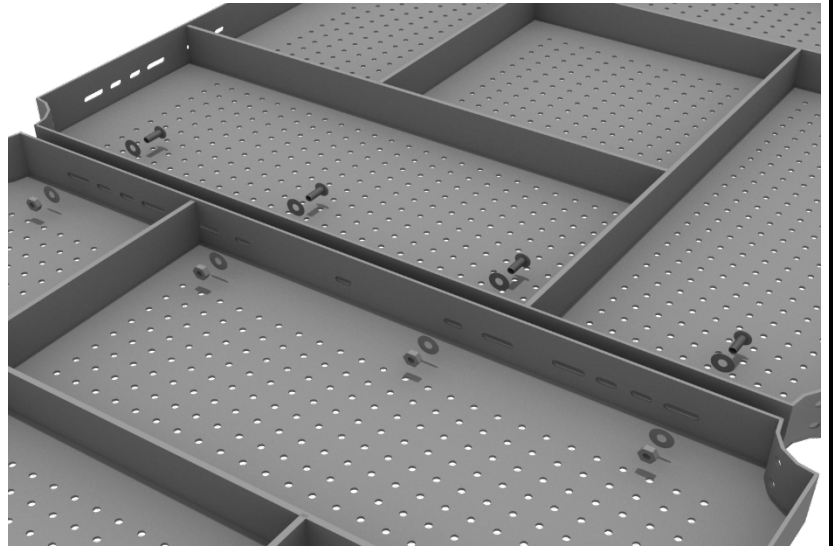




# Square Deck Connect to Square Deck

## STEP: 1

When installing decks that are adjacent to one another at the same height, they should be bolted together. On the underside of the deck, install using four (4) M10\*25 Bolts, eight (8) M10 Washers, and four (4) M10 Lock Nuts. Repeat this process for every set of adjacent decks.



# Half Hex Deck Connect to Half Hex Deck

## STEP: 1

When installing decks that are adjacent to one another at the same height, they should be bolted together. On the underside of the deck, install using four (4) M10\*25 Bolts, eight (8) M10 Washers, and four (4) M10 Lock Nuts. Repeat this process for every set of adjacent decks.

# Half Hex Deck Installation

## STEP: 1

After the posts are in place, using five (5) M10\*35 bolts, ten (10) M10 washers, and five (5) M10 lock nuts, attach the deck to each pre-attached deck clamp as shown in the image.

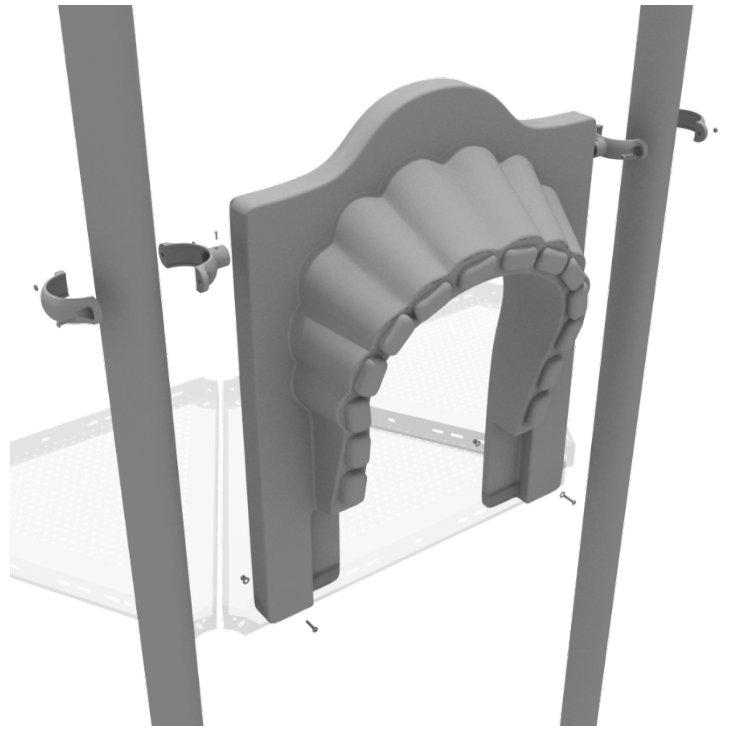
Deck clamps are pre-attached to the posts and should not be altered in any way.



# 3-foot Right Turn Slide Installation

## STEP: 1

To attach the single slide hood to a deck, take two clamps and attach them to the posts using two (2) M4\*25 self-tapping screws. Then, attach the hood to the deck using two (2) M10\*50 bolts, four (4) M10 washers, and two (2) M10 lock nuts. Repeat this process for every single slide hood.



## STEP: 2

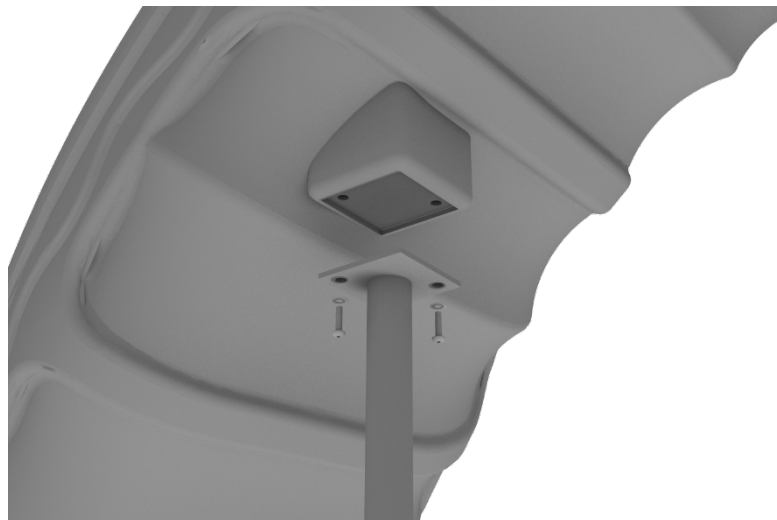
See general installation guide regarding footing information for the slide end mount. Using two (2) M8\*20, two (M8) spring washers. And two (2) M8 washers, attach the slide to the slide support post.



# 3-foot Right Turn Slide Installation

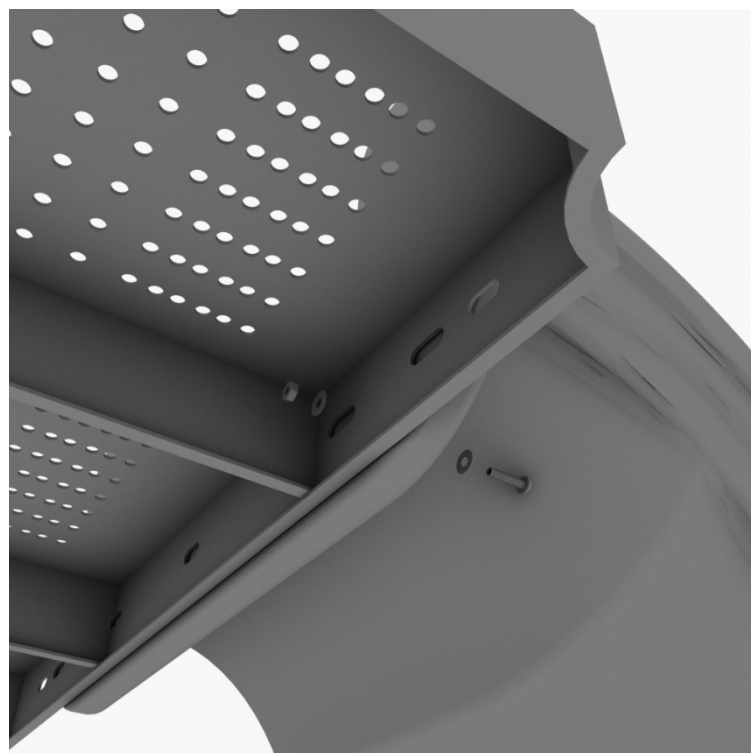
## STEP: 3

See general installation guide regarding footing information for the middle slide support. Using two (2) M8\*20 bolts, two (2) M8 spring washers, and two (2) M8 washers, attach the middle slide support post.



## STEP: 4

Using one (1) M10\*45 bolt, two (2) M10 washers, and two (2) M10 lock nuts, attach one side of the slide to the deck.



# 3-foot Right Turn Slide Installation

## STEP: 5

Using one (1) M8\*45 bolt, one (1) M8 washer, one (1) M12 washer, and one (1) M12 inner hex spiral nut, attach the slide to one side of the slide hood. Repeat this process for the other side of the slide.

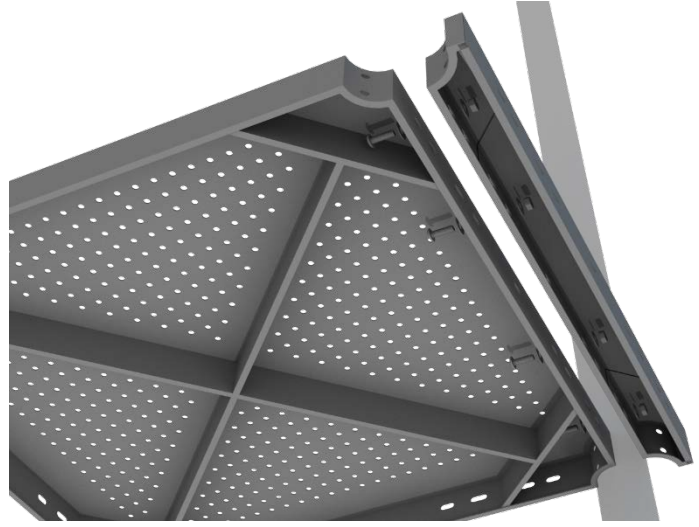




# 4-foot Double Straight Slide Installation

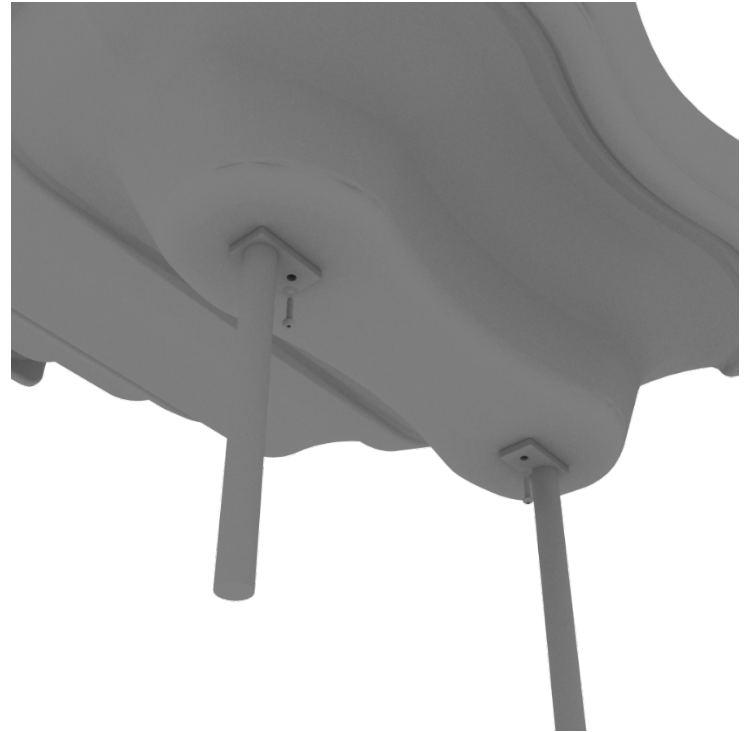
## STEP: 1

For the double slide, you will first need to attach the double slide deck extension. This will require four (4) M10\*25 bolts, eight (8) M10 washers, and four (4) M10 lock nuts.



## STEP: 2

Then, See general installation guide regarding footing information for the double slide end mounts. Using two (2) M8\*20 bolts, two (2) M8 spring gaskets, and two (2) M8 washers, attach the slide end mounts to the double slide.



# 4-foot Double Straight Slide Installation

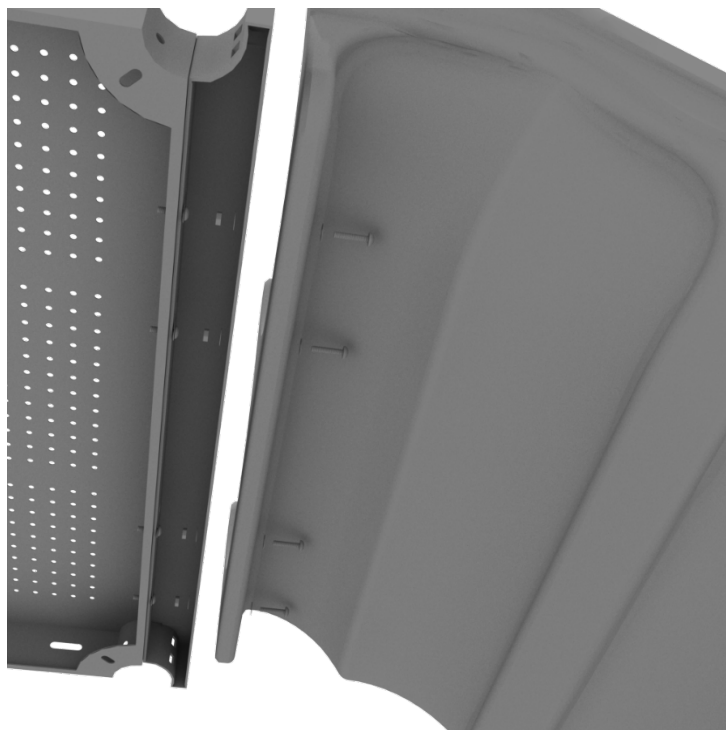
## STEP: 3

Then, See general installation guide regarding footing information for the double slide middle support. Attach the middle support to the slide using two (2) M8\*20 bolts, two (2) M8 spring washers, and two M8 washers.



## STEP: 4

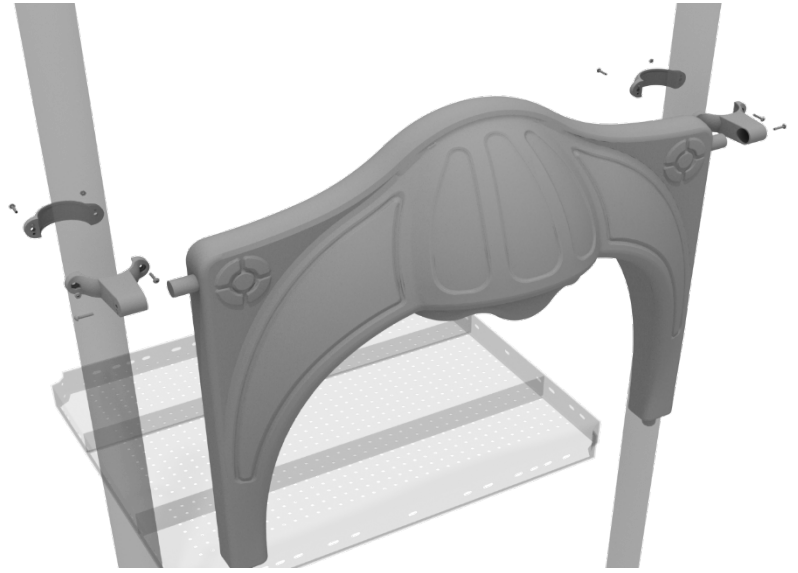
Then, attach the slide to the deck extension using four (4) M10\*45 bolts, eight (8) M10 washers, and four (4) M10 lock nuts.



# 4-foot Double Straight Slide Installation

## STEP: 5

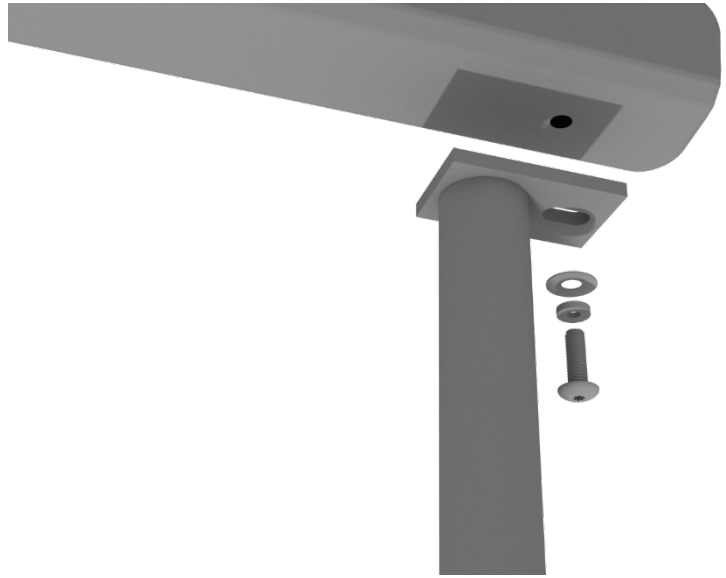
Once the slide is attached, take the double slide hood and insert it into the top of the slide, and then attach the top using two (2) double slide clamps, and two (2) M8\*30 bolts.



# Sea Creature Climber Installation

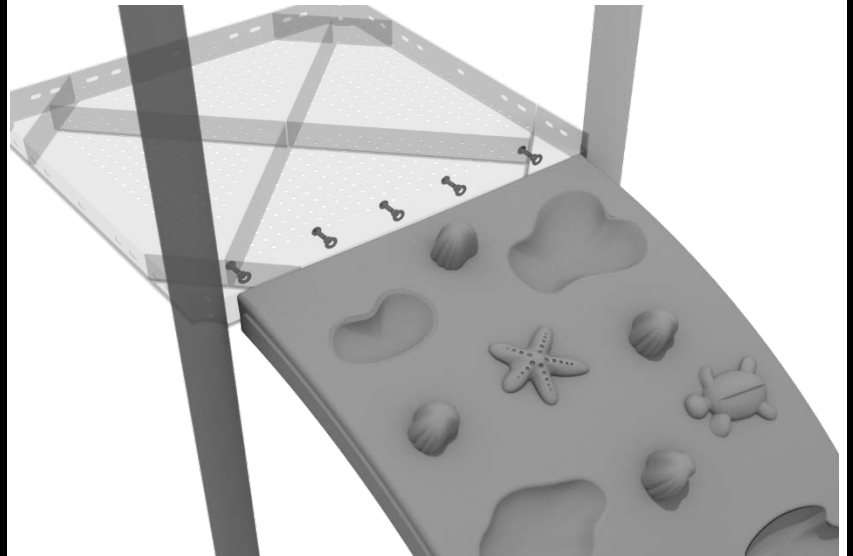
## STEP: 1

See general installation guide regarding footing information for the Sea Creature climber. Using two (2) M10\*20 bolts, two (2) M10 spring gaskets, and two (2) M10 washers, attach the bottom of the Sea Creature climber to the climber support posts.



## STEP: 2

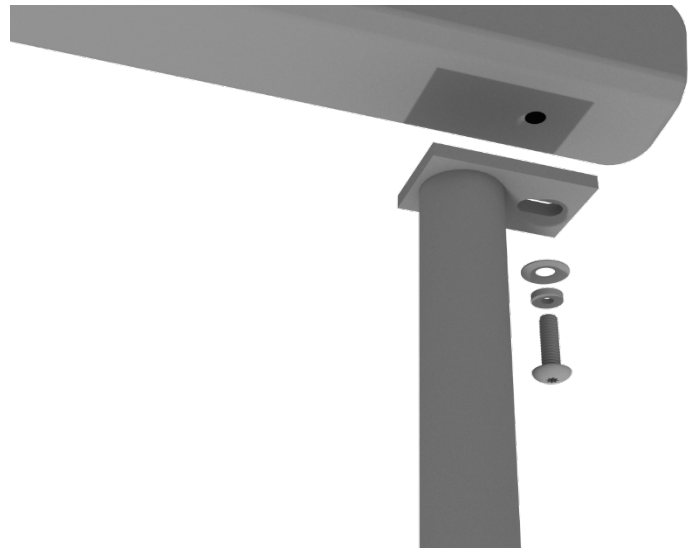
Then using five (5) M10\*20 bolts, five (5) M10 spring gaskets, and five (5) M10 washers, attach the top of the Sea Creature climber to the deck.



# Figure Climber Installation

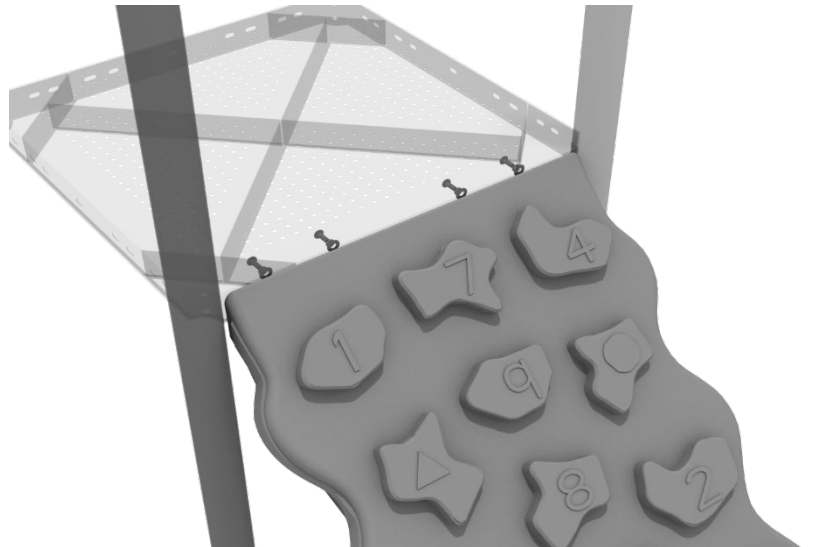
## STEP: 1

See general installation guide regarding footing information for the figure climber. Using two (2) M10\*20 bolts, two (2) M10 spring gaskets, and two (2) M10 washers, attach the bottom of the figure climber to the climber end mounts.



## STEP: 2

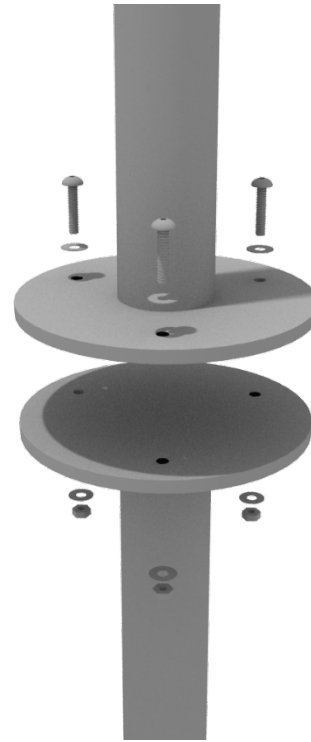
Using four (4) M10\*20 bolts, four (4) M10 spring gaskets, and four (4) M10 washers, attach the figure climber to the square deck.



# Pod Climber Installation

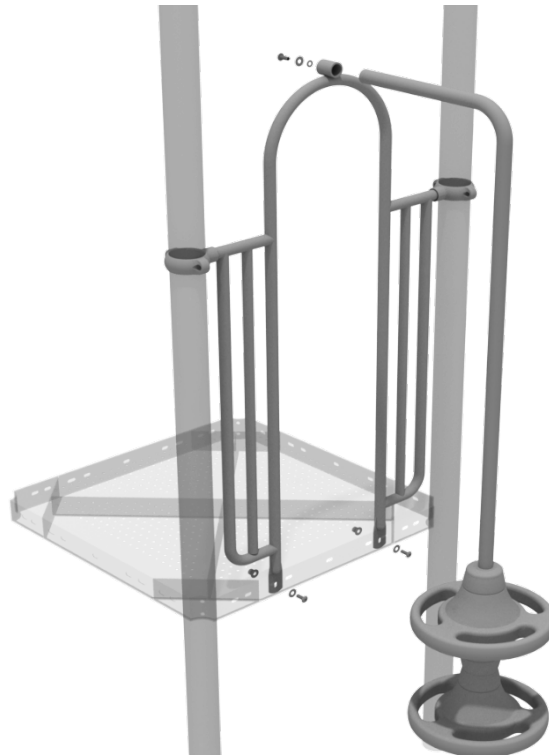
## STEP: 1

See general installation guide regarding footing information for the pod climber. Attach the circle end mount to the bottom of the climber using the pre-attached hardware. Each attachment uses three (3) M10\*20 bolts, three (3) M10 spring gaskets, and one (3) M10 large gaskets.



## STEP: 2

Attach the top of the climber to the designated arch rail top bracket using one (1) M10\*20 bolt, one (1) M10 spring washer, and one (1) M10 washer.



1 Playground Drive  
Greenfield, IN 46140  
1-800-667-0097

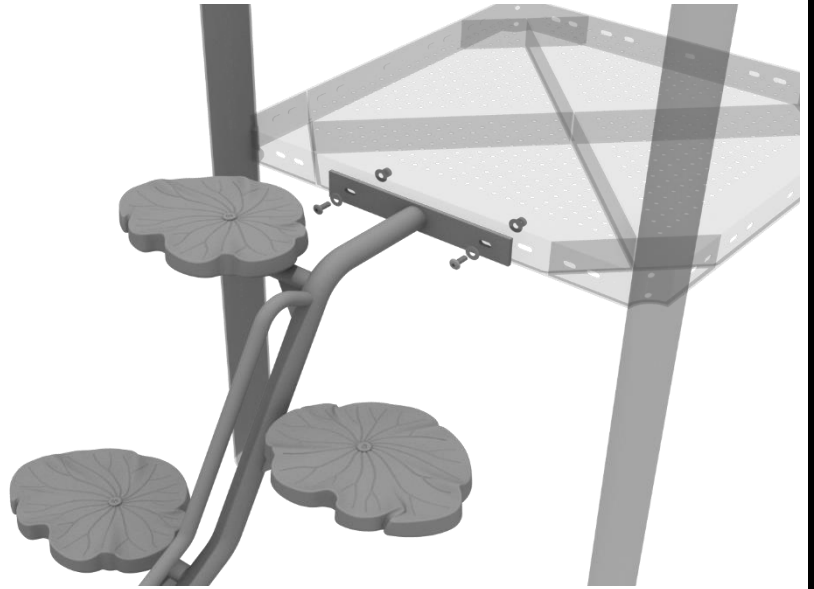
Created By: Aaron Price  
Date: 03/21/2018



# Lotus Climber Install

## STEP: 1

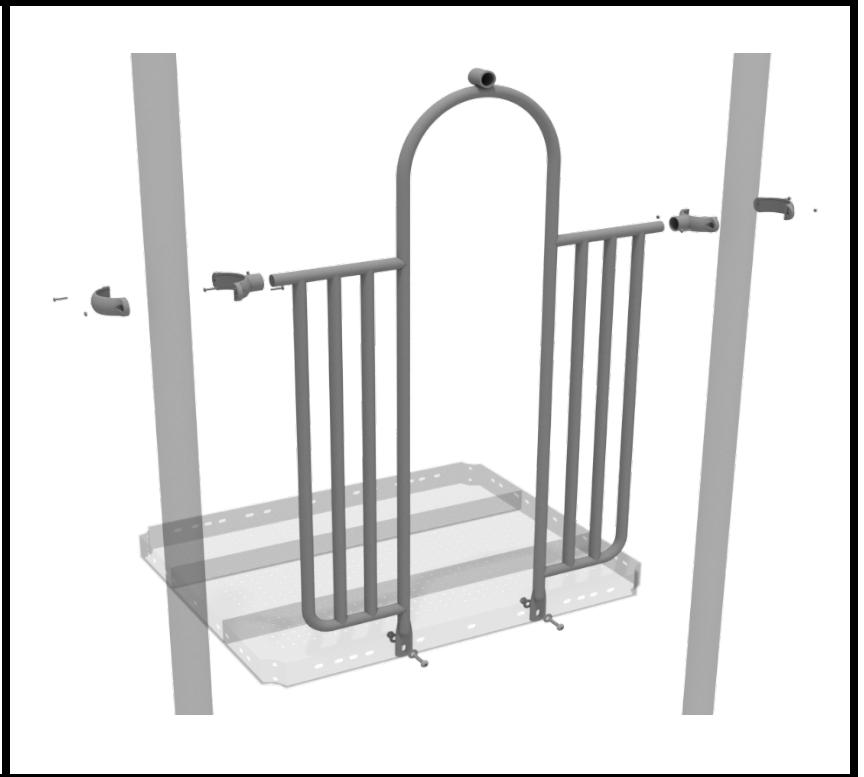
See general installation guide regarding footing information for the lotus climber. Using two (2) M10\*25 bolts, four (4) M10 washers, and two (2) M10 lock nuts, attach the climber to the deck.



## 4.5-inch 2-Clamp Arch Rail Installation

### STEP: 1

Attach the Arch Rail to the designated posts by connect half of the tube clamp to the arch rail using one (1) M8\*30 bolt. Repeat this process for each post attachment point. Then, attach the rail to the deck using two (2) M10\*25 bolts, four (4) M10 washers, and two (2) M10 lock nuts. Finally, attach the second half of the clamp around the post.

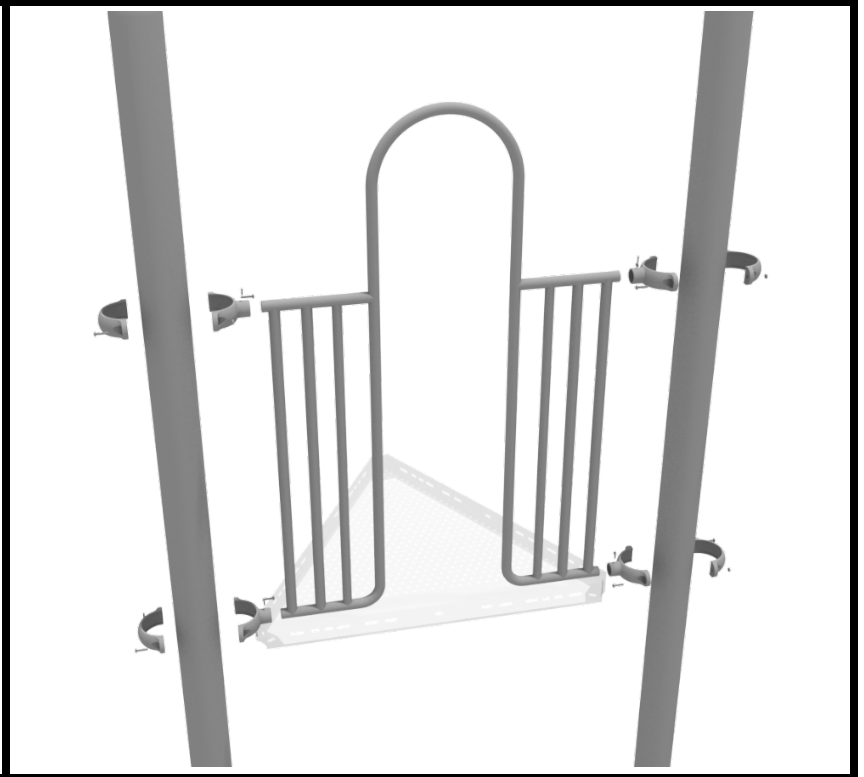


# 4.5-inch 4-Clamp Arch Rail Installation

## STEP: 1

Attach the Arch Rail to the designated posts by connect half of the tube clamp to the arch rail using one (1) M8\*30 bolt. Repeat this process for each attachment point.

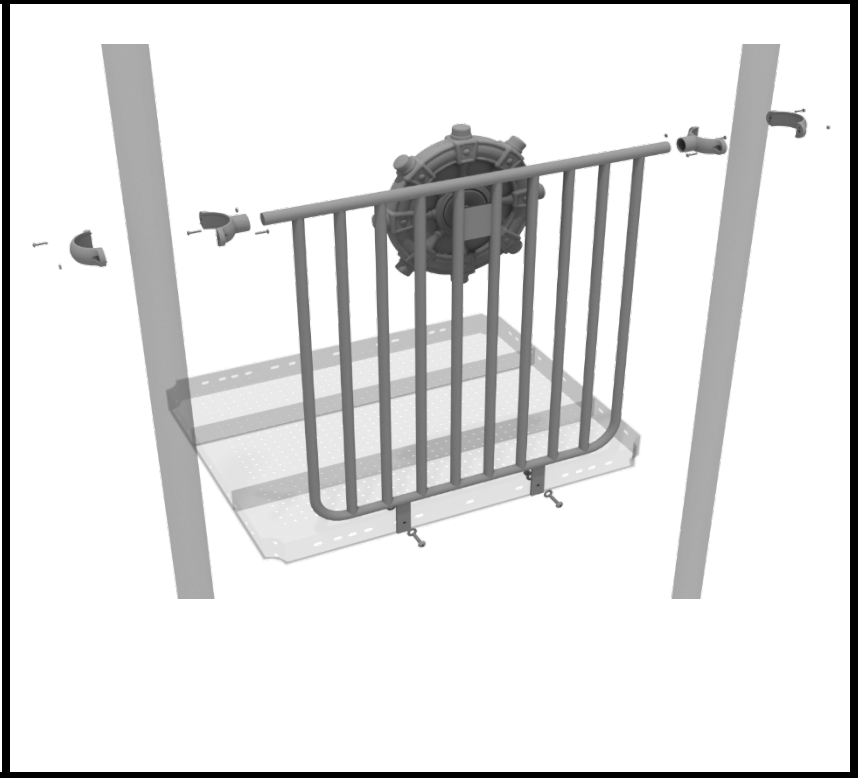
Set the arch rail into place, then attach the second half of the clamp around the post. The gap between the deck and the bottom of the rail should be no more than 3 inches.



# 4.5-inch Metal Barrier w/ Wheel Installation

## STEP: 1

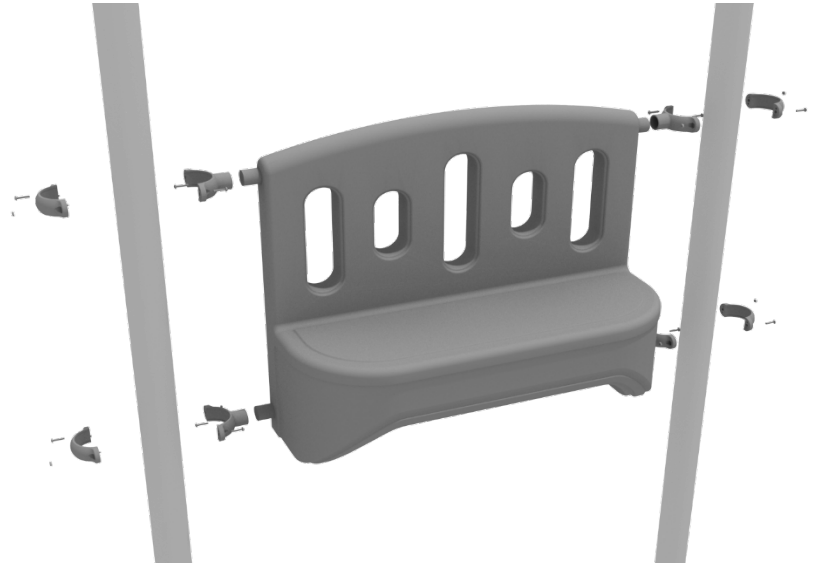
Attach the metal barrier to the designated posts using two (2) tube clamps two (2) M8\*30 bolts. Then, attach the bottom of the metal barrier to the deck using two (2) M10\*25 bolts, four (4) M10 washers, and two (2) M10 lock nuts.



# 4.5-inch Bench Installation

## STEP: 1

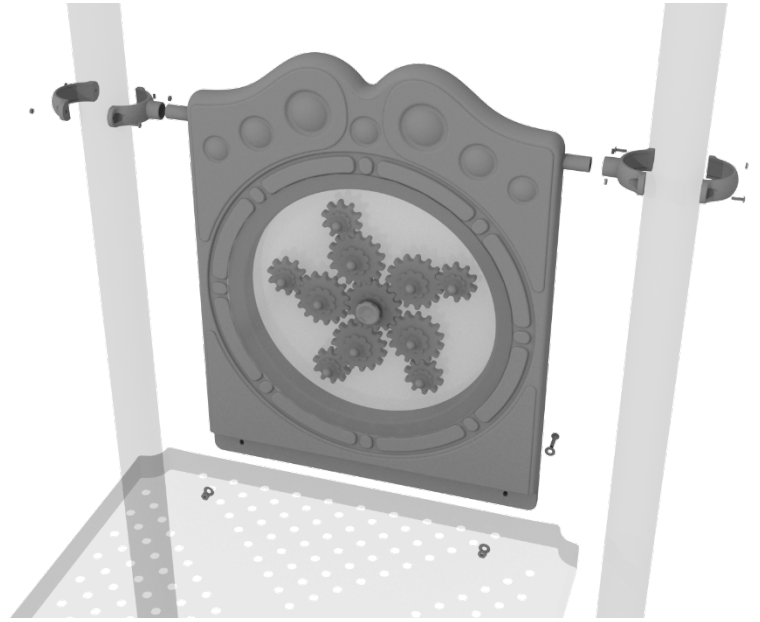
Connect the bench panel to the designated post using four (4) 4.5-inch tube clamps.



# 4.5-inch Gear Panel Installation

## STEP: 1

Attach two tube clamps to the Gear Panel using two (2) M4\*25 self-tapping screws and attach those clamps to the proper support posts. Then, attach the bottom of the metal barrier to the deck using two (2) M10\*50 bolts, four (4) M10 washers, and two (2) M10 lock nuts.

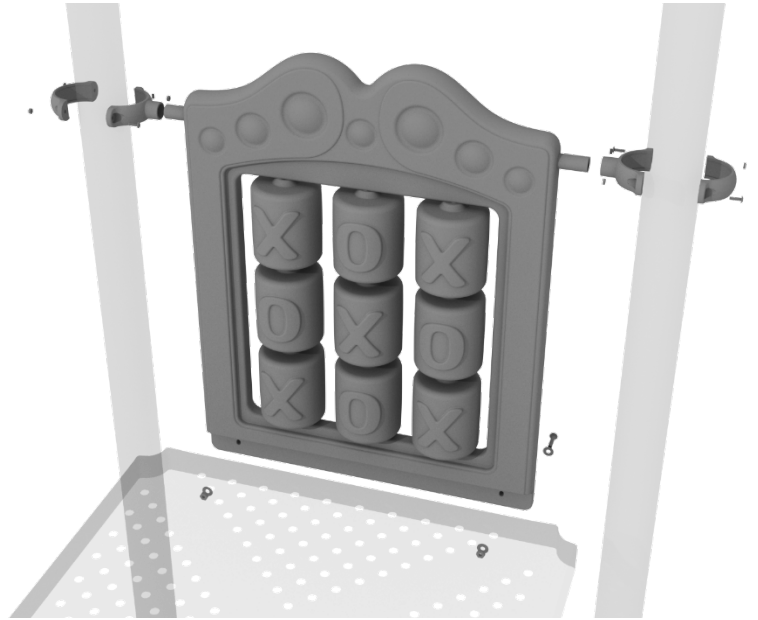




# 4.5-inch Tic Tac Toe Panel Installation

## STEP: 1

Attach two tube clamps to the Tic Tac Toe Panel using two (2) M4\*25 self-tapping screws and attach those clamps to the proper support posts. Then, attach the bottom of the metal barrier to the deck using two (2) M10\*50 bolts, four (4) M10 washers, and two (2) M10 lock nuts.



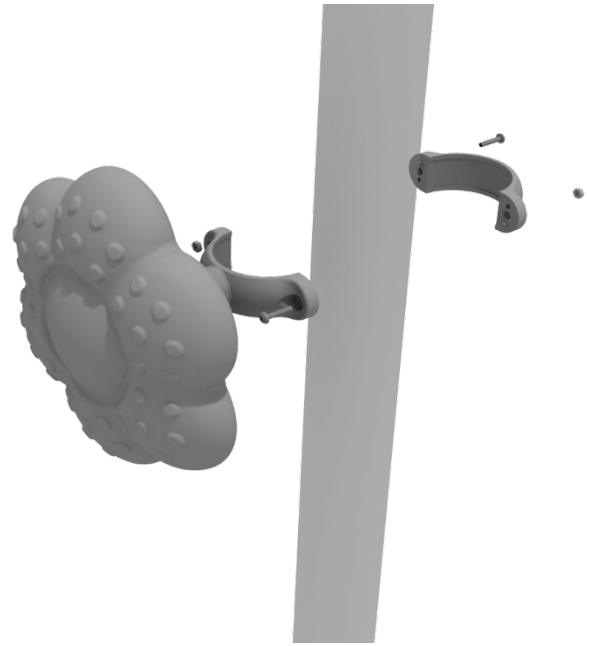
# Rain Wheel Installation

Detach half of the tube clamp connected to the Rain Wheel, and re-attach the clamp around the support post, as shown in the picture.

Recommended install height is 20 to 36 inches above surfacing depending on age range.

*We recommend using Thread-locking fluid on bolts connecting Rain wheel to clamp to prevent hardware from loosening over time.*

(Thread-locker not supplied)

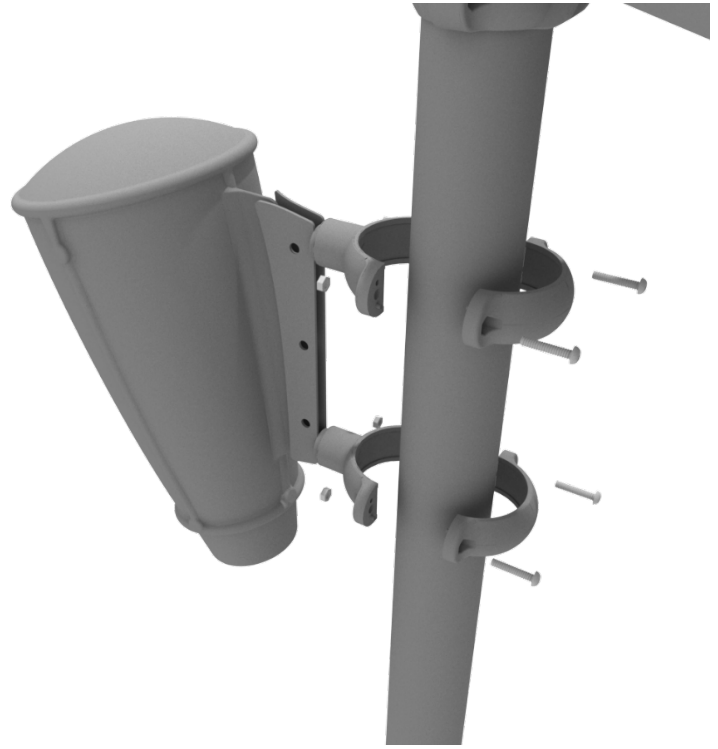


# Single Drum Installation

Detach half of the tube clamps connected to the Single Drum, and re-attach the clamps around the support post, as shown in the image. Recommended install height is 20 to 36 inches above surfacing depending on age range.

*We recommend using Thread-locking fluid on bolts connecting Single Drum to clamp to prevent hardware from loosening over time.*

(Thread-locker not supplied)



# Hex Roof Install

## STEP: 1

To attach a hex roof, bolt the plastic post caps to the bottom of the roof using six (6) M8\*20 bolts, and six (6) M8 washers. Then place the roof on top of the posts and screw the caps onto the post using eighteen (18) M3\*16 self-tapping screws.

