

## STEP: 1

**DO NOT CEMENT POSTS INTO PLACE  
UNTIL THE ENTIRE STRUCTURE IS  
ASSEMBLED.**

Refer to the General Installation  
guide footing information and dig  
proper holes for the support posts.



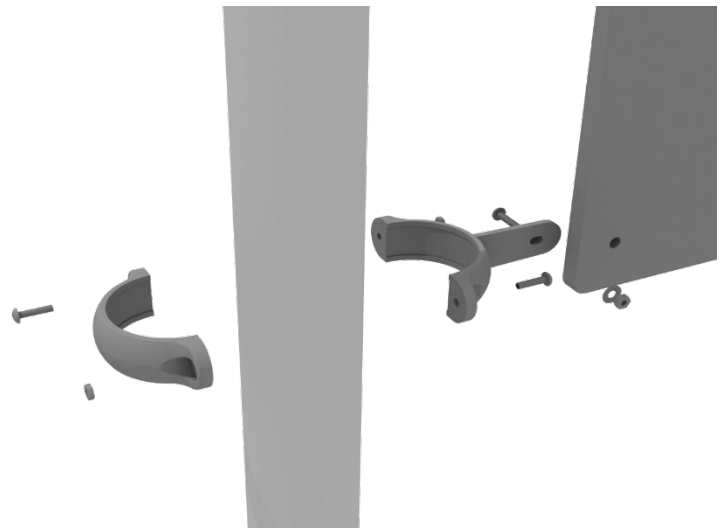
## 4.5-inch Clamp Installation Examples

The following two pages will include examples of how to install some of the most common types of Clamps that are present on our structures that use 4.5-inch outside diameter posts. The structure that you are assembling might not require all the types of clamps listed in these examples.

The Install Guides for specific components that come later in this document might call for a specific type of clamp (a tube clamp for example), those sections will not include detailed instructions for the clamps and should direct you back to this section for more detailed information.

### 4.5-inch Flat Clamp Installation Example

Connect half of the flat clamp to the component using one (1) M8\*30 bolt and Lock Nut. Then, using the other half of the flat clamp and the hardware provided in the clamp hardware bag, attach the backside of the flat clamp around the post.



## 4.5-inch Clamp Installation Examples

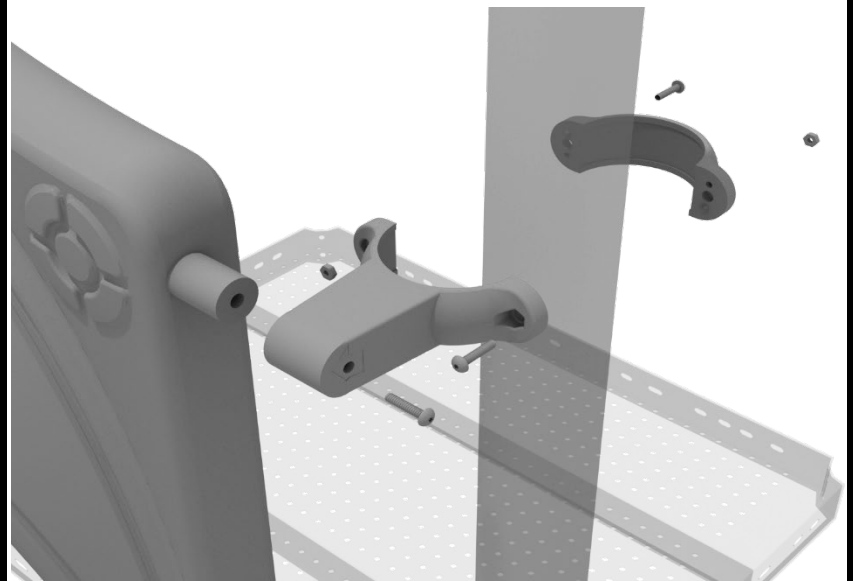
### 4.5-inch Tube Clamp Installation Example

Insert Bar on Component into one half of the Tube Clamp and attach with M4\*25 Set Screw. Then, using the other half of the tube clamp and the hardware provided in the clamp hardware bag, attach the backside of the tube clamp around the post.



### 4.5-inch Double Slide Clamp Installation Example

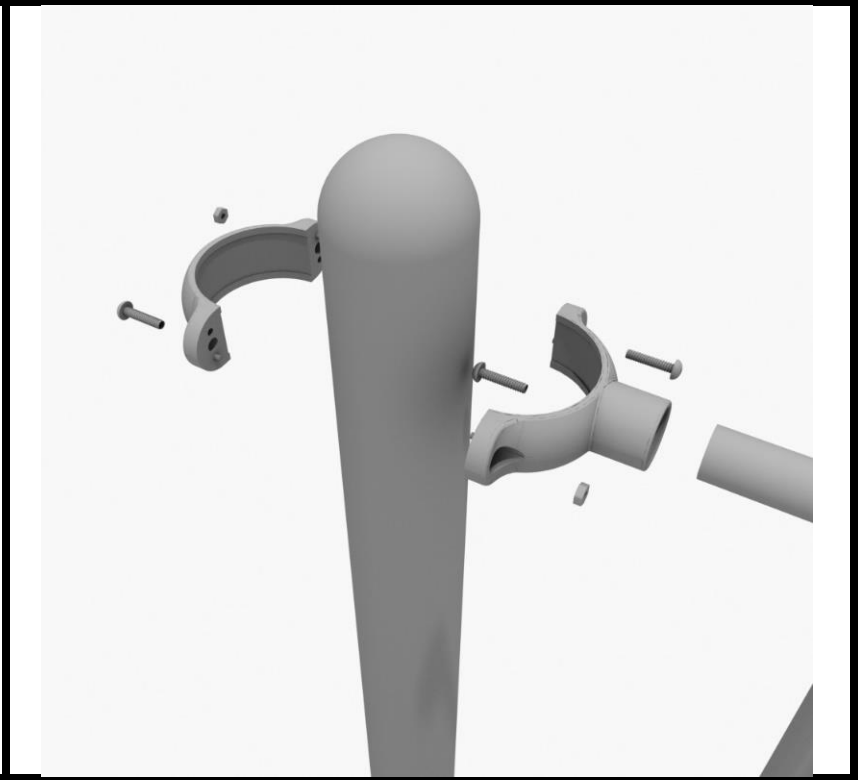
Connect half of the double slide clamp to the double slide hood using one (1) M8\*30 bolt. Then, using the other half of the clamp and the hardware provided in the clamp hardware bag, attach the backside of the double slide clamp around the post.



# 4.5-inch 3-foot Transfer Station Install

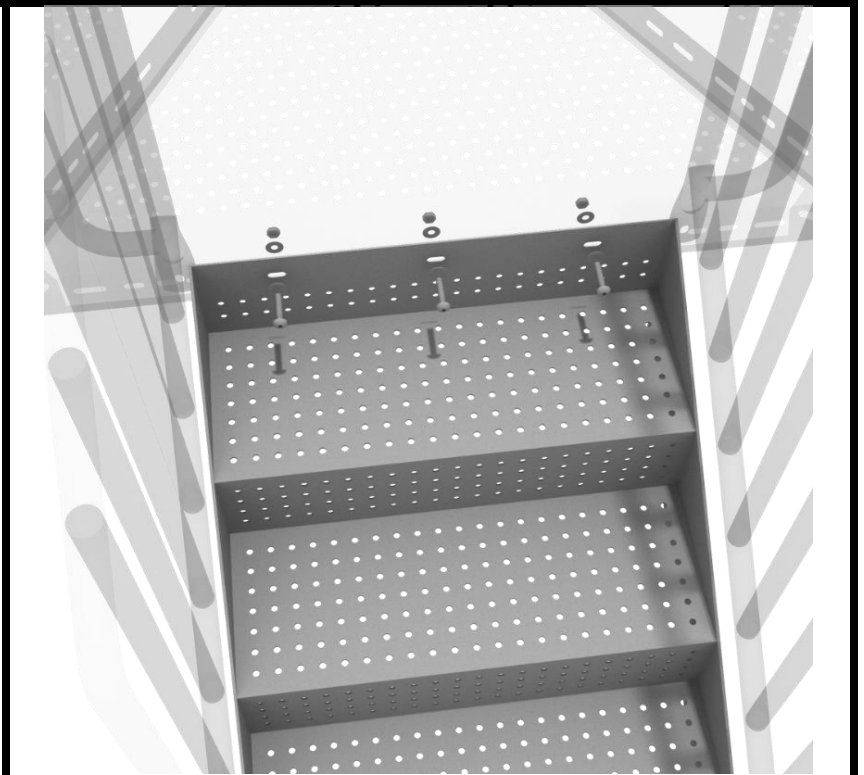
## STEP: 1

Connect half of a tube clamp to the ADA transfer handrail using one (1) M4\*25 self-tapping screw. Set the handrail into place, then attach the second half of the clamp using the hardware provided in the clamp bag. Repeat this process for the other handrail.



## STEP: 2

Using three (3) M10\*25 bolts, six (6) M10 washers, and three (3) M10 lock nuts, attach the top of the stairs to the half hex deck. Then using four (4) M10\*30 bolts, eight (8) M10 washers, and four (4) M10 lock nuts, attach the handrail to the bottom of the stairs. Then, using two (2) M10\*25 bolts, four (4) M10 washers, and two (2) M10 lock nuts, attach the handrails to the deck.



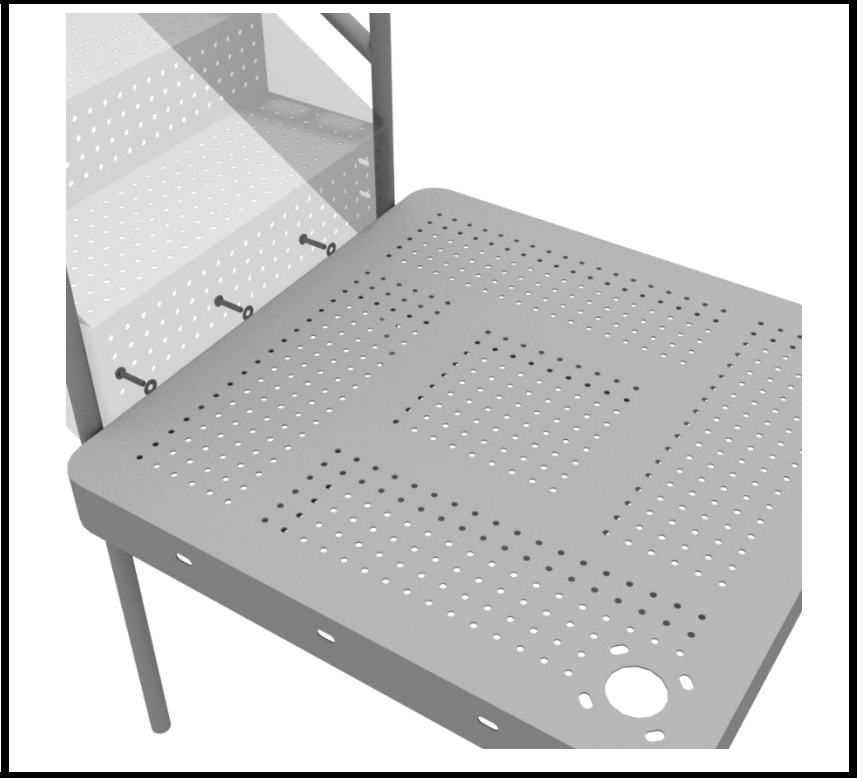
1 Playground Drive  
Greenfield, IN 46140  
1-800-667-0097

Created By: Aaron Price  
Date Modified: 04/25/18

# 4.5-inch 3-foot Transfer Station Install

## STEP: 3

Using three (3) M10\*25 bolts, six (6) M10 washers, and three (3) M10 lock nuts, attach the ADA transfer deck to the base of the 4-foot ADA transfer stair.



## STEP: 4

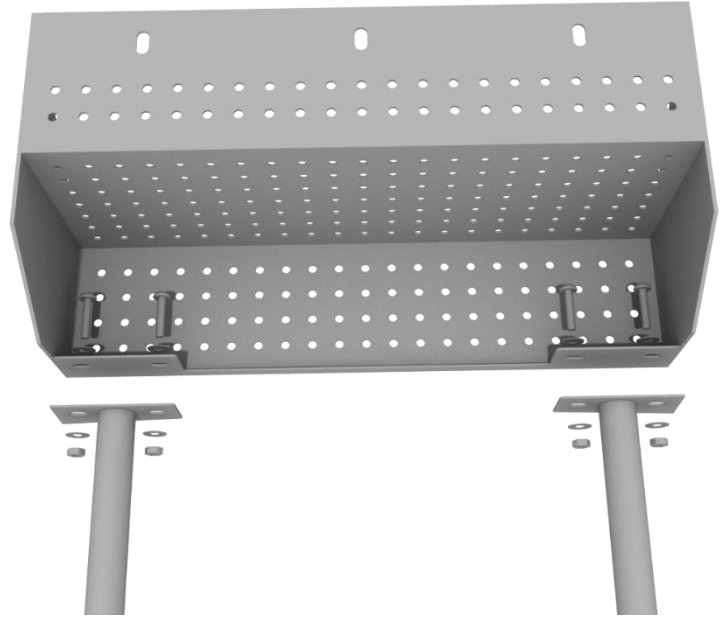
See general installation guide regarding footing information for the transfer deck handrail. Using four (4) M10\*25 bolts, eight (8) M10 washers, and four (4) M10 lock nuts, attach each transfer deck handrail to the ADA transfer deck.



## 4.5-inch 3-foot Transfer Station Install

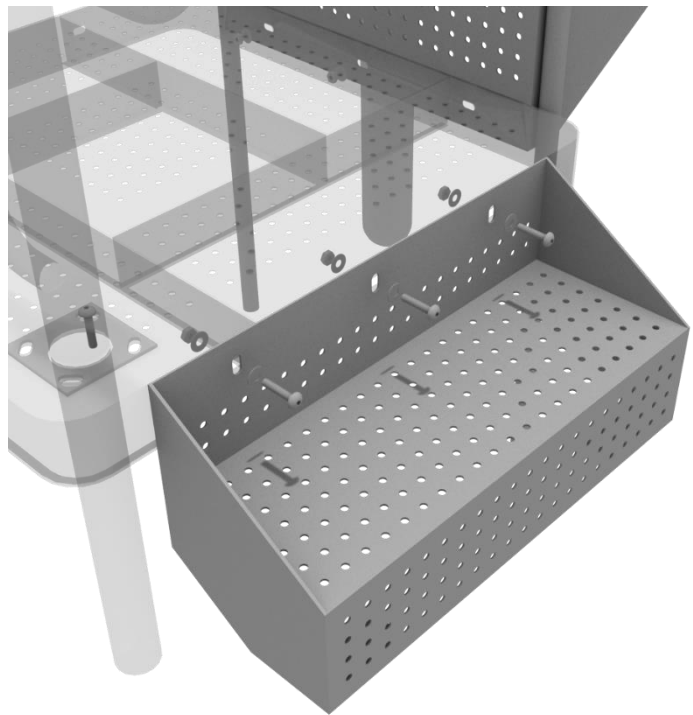
### STEP: 5

See general installation guide regarding footing information for the ADA transfer step mount. Using two (2) M10\*25 bolts, four (4) M10 washers, and two (2) M10 lock nuts, attach the transfer step to each ADA transfer step mounts.



### STEP: 6

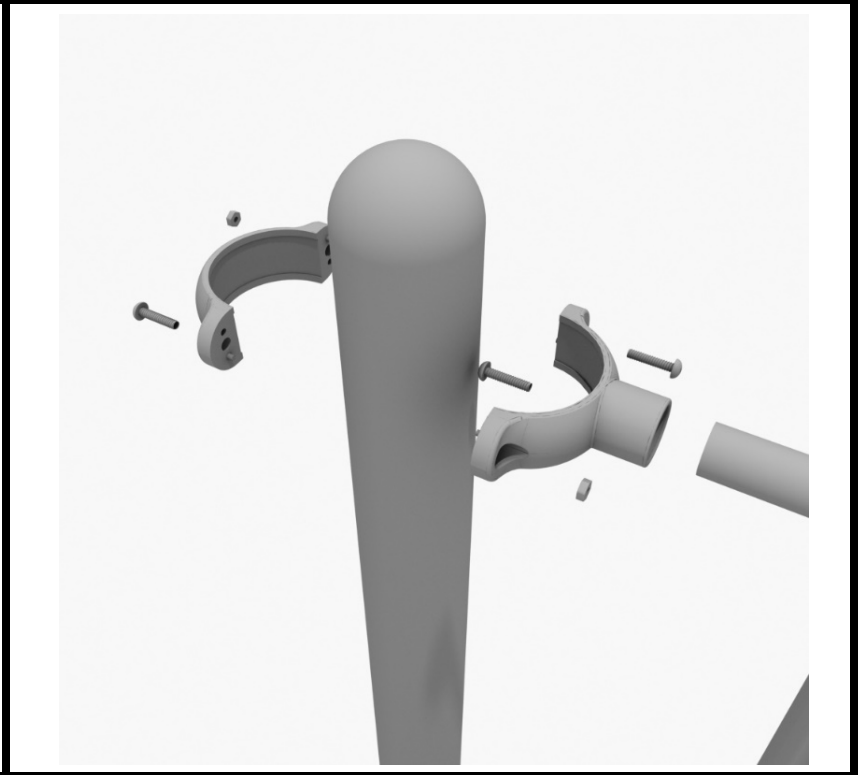
Using three (3) M10\*25 bolts, six (6) M10 washers, and three (3) M10 washers, attach the top of the ADA transfer step to the ADA transfer deck.



# 4.5-inch 4-foot Transfer Station Install

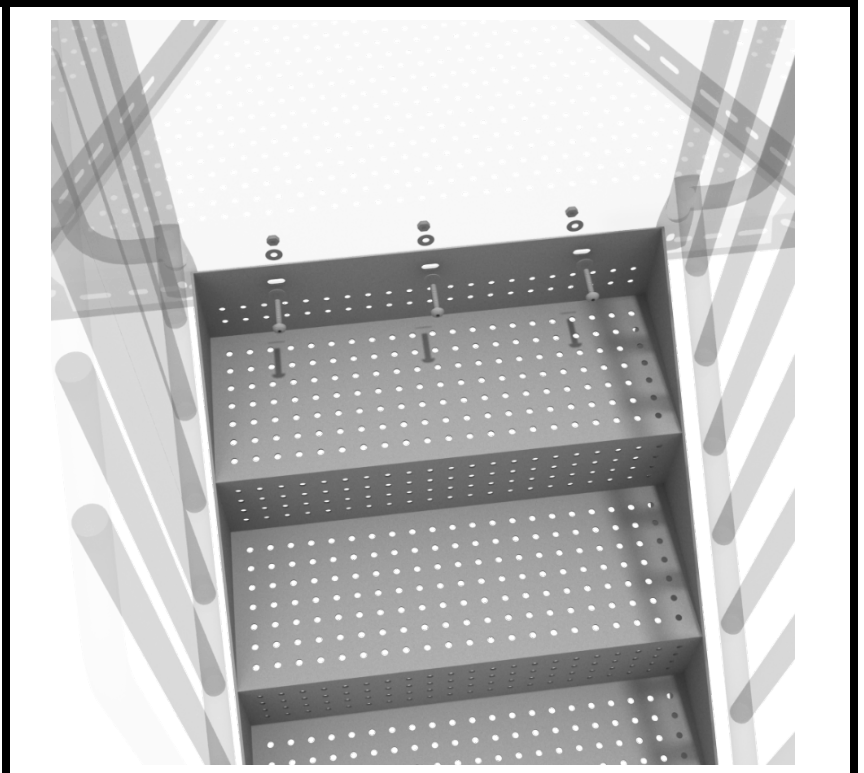
## STEP: 1

Connect half of a tube clamp to the ADA transfer handrail using one (1) M4\*25 self-tapping screw. Set the handrail into place, then attach the second half of the clamp using the hardware provided in the clamp bag. Repeat this process for the other handrail.



## STEP: 2

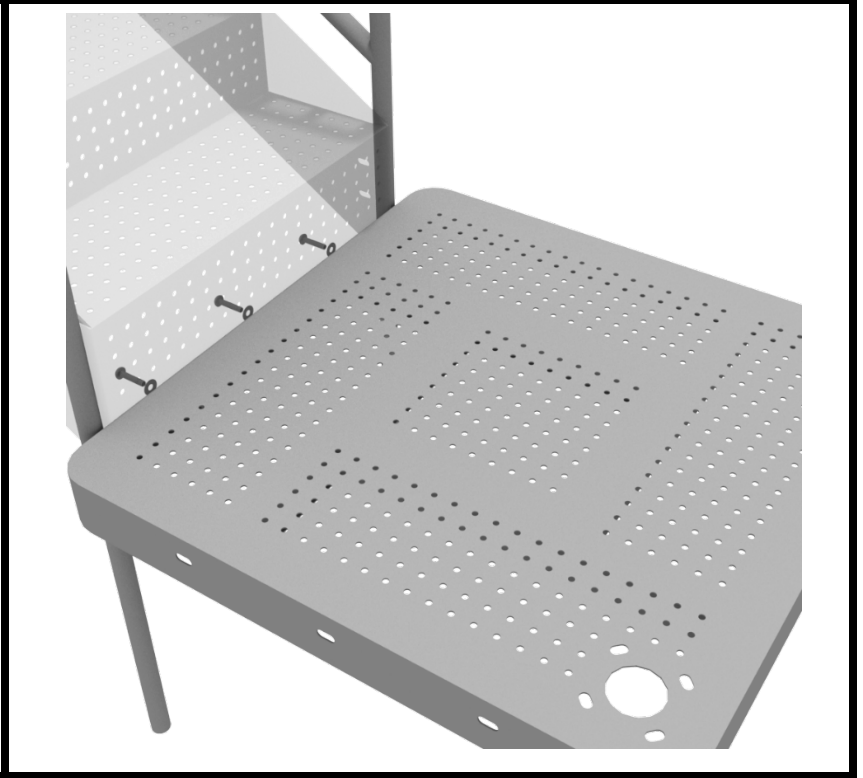
Using three (3) M10\*25 bolts, six (6) M10 washers, and three (3) M10 lock nuts, attach the top of the stairs to the half hex deck. Then using four (4) M10\*30 bolts, eight (8) M10 washers, and four (4) M10 lock nuts, attach the handrail to the bottom of the stairs. Then, using two (2) M10\*25 bolts, four (4) M10 washers, and two (2) M10 lock nuts, attach the handrails to the deck.



# 4.5-inch 4-foot Transfer Station Install

## STEP: 3

Using three (3) M10\*25 bolts, six (6) M10 washers, and three (3) M10 lock nuts, attach the ADA transfer deck to the base of the 4-foot ADA transfer stair.



## STEP: 4

See general installation guide regarding footing information for the transfer deck handrail. Using four (4) M10\*25 bolts, eight (8) M10 washers, and four (4) M10 lock nuts, attach each transfer deck handrail to the ADA transfer deck.

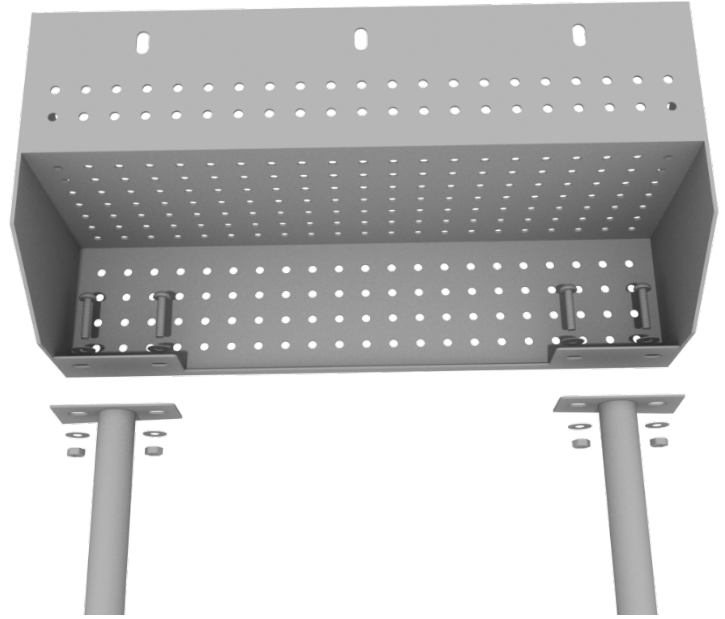




# 4.5-inch 4-foot Transfer Station Install

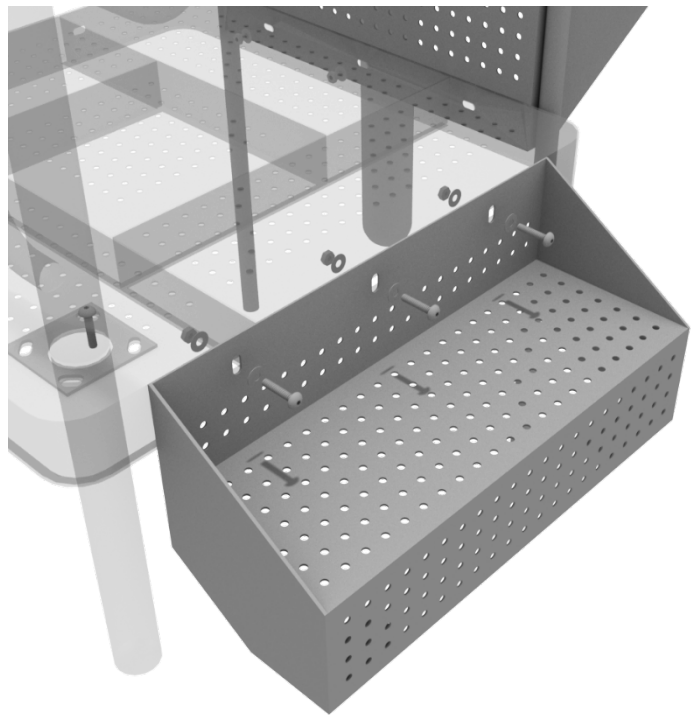
## STEP: 5

See general installation guide regarding footing information for the ADA transfer step mount. Using two (2) M10\*25 bolts, four (4) M10 washers, and two (2) M10 lock nuts, attach the transfer step to each ADA transfer step mounts.



## STEP: 6

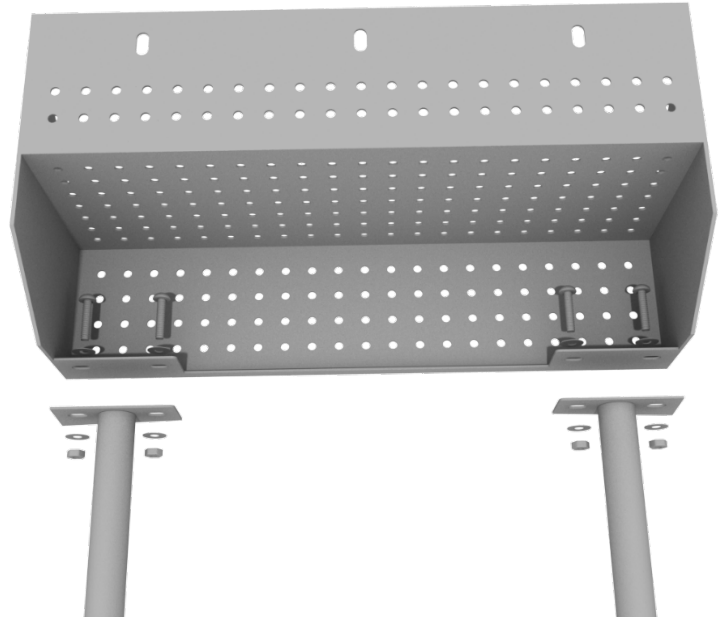
Using three (3) M10\*25 bolts, six (6) M10 washers, and three (3) M10 washers, attach the top of the ADA transfer step to the ADA transfer deck.



# ADA Step Install

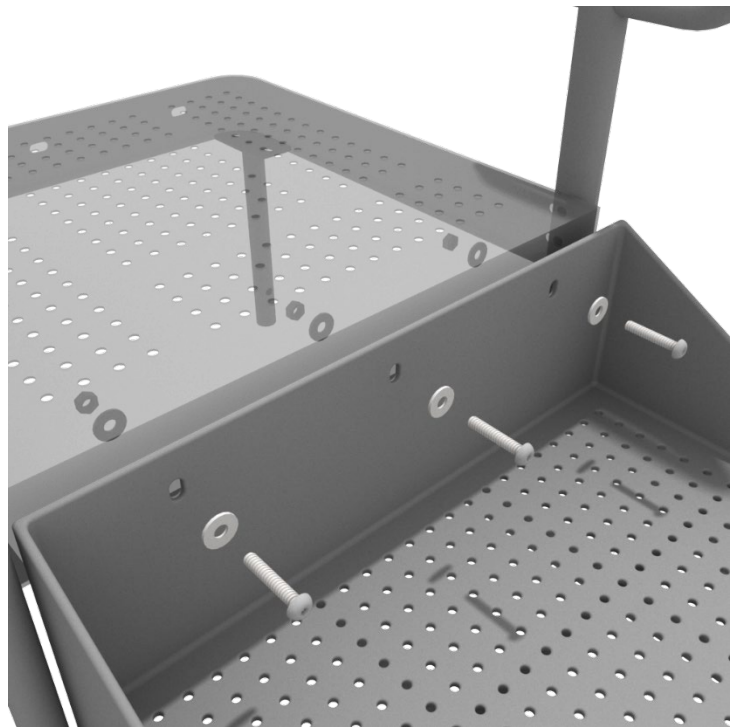
## STEP: 1

See general installation guide regarding footing information for the ADA transfer step mount. Using two (2) M10 bolts, four (4) M10 washers, and two (2) M10 lock nuts, attach the transfer step to each ADA transfer step mount.



## STEP: 2

Using three (3) M10\*25 bolts, six (6) M10 washers, and three (3) M10 washers, attach the top of the ADA transfer step to the ADA transfer deck.



# Triple Slide Deck Installation

## STEP: 1

After the posts are in place, using five (5) M10\*35 bolts, ten (10) M10 washers, and five (5) M10 lock nuts, attach the deck to each pre-attached deck clamp as shown in the image.

Deck clamps are pre-attached to the posts and should not be altered in any way.



# Square Deck Installation

## STEP: 1

After the posts are in place, using four (4) M10\*35 Bolts, eight (8) M10 Washers, and four (4) M10 Lock Nuts, attach each square deck to each pre-attached deck clamp as shown in the image.

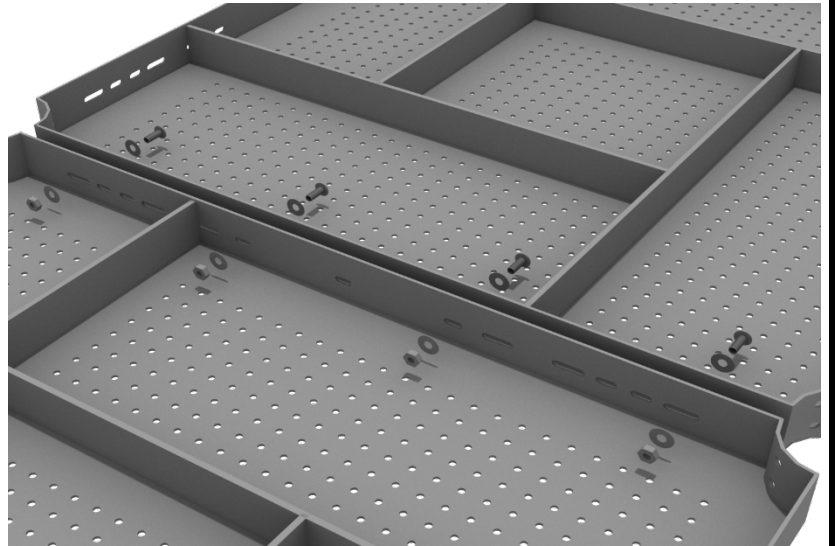
Deck clamps are pre-attached to the posts and should not be altered in any way.



# Square Deck Connect to Square Deck

## STEP: 1

When installing decks that are adjacent to one another at the same height, they should be bolted together. On the underside of the deck, install using four (4) M10\*25 Bolts, eight (8) M10 Washers, and four (4) M10 Lock Nuts. Repeat this process for every set of adjacent decks.



# Half Hex Deck Connect to Half Hex Deck

## STEP: 1

When installing decks that are adjacent to one another at the same height, they should be bolted together. On the underside of the deck, install using four (4) M10\*25 Bolts, eight (8) M10 Washers, and four (4) M10 Lock Nuts. Repeat this process for every set of adjacent decks.

# Half Hex Deck Installation

## STEP: 1

After the posts are in place, using five (5) M10\*35 bolts, ten (10) M10 washers, and five (5) M10 lock nuts, attach the deck to each pre-attached deck clamp as shown in the image.

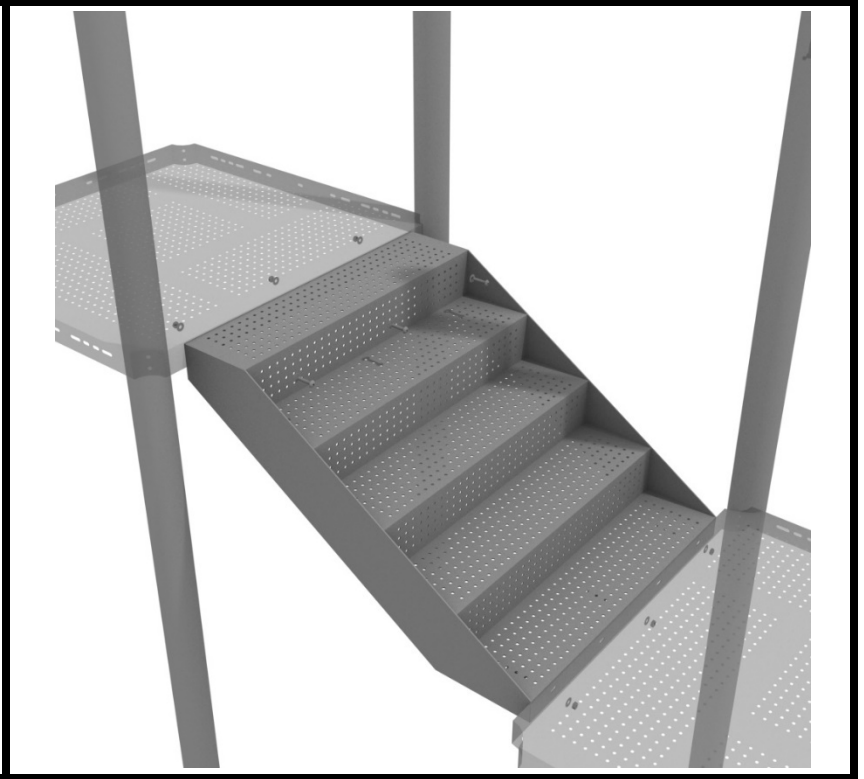
Deck clamps are pre-attached to the posts and should not be altered in any way.



# 4.5-Inch 2-foot Middle Stair Installation

## STEP: 1

Using six (6) M10\*25 bolts, twelve (12) M10 washers, and six (6) M10 lock nuts, attach the 2-foot connection stair to the assigned decks.



## STEP: 2

Then, once the stair is in place, attach the 2-foot connection handrail to the posts using four (4) 4.5-inch offset clamps, and four (4) M8\*30 bolts. Then, attach the bottom of the handrails to the stairs using one (1) M10\*25 bolt, two (2) M10 washers, and one (1) M10 lock nut for each attachment point.



1 Playground Drive  
Greenfield, IN 46140  
1-800-667-0097

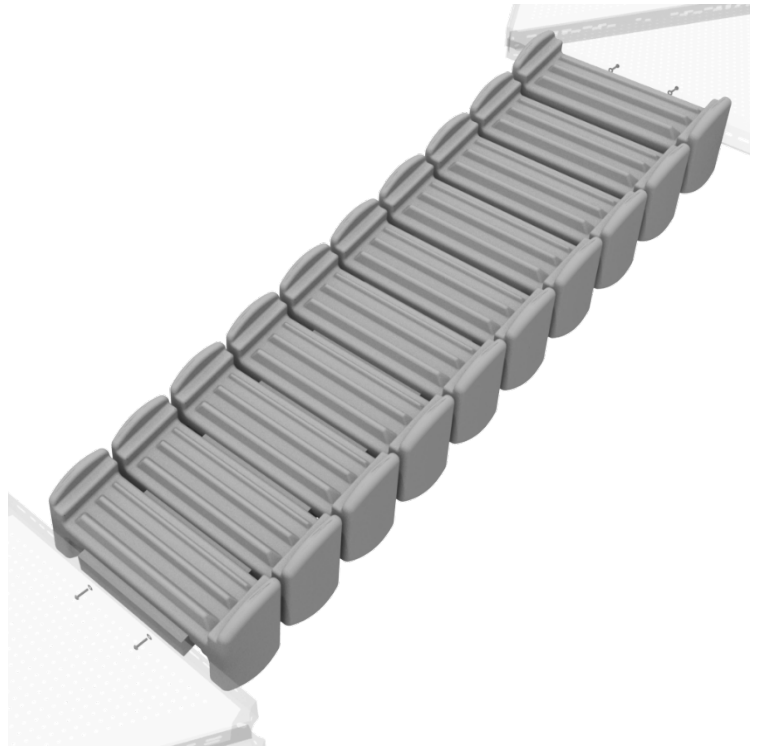
Created By: Kelly D.  
Date: 11/24/2020



# Inclined Bones Bridge Install

## STEP: 1

Using four (4) M10\*30 bolts, eight (8) M10 washers, and four (4) M10 lock nuts, attach each bottom bones bridge to the proper decks.



## STEP: 2

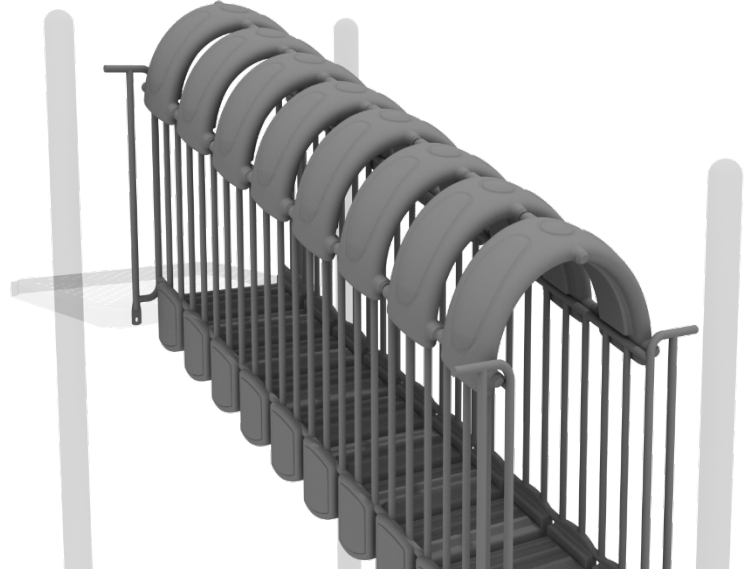
Once the bridge is attached, connect half of each 4.5-inch tube clamp to the bridge handrail using one (1) M4\*25 self-tapping screw. Then, using two (2) M10\*25 bolts, four (4) M10 washers, and two (2) M10 lock nuts, attach the bottom of the bridge handrails to the deck. Repeat these steps for the remaining bones bridges and bridge handrails.



# Inclined Covered Bones Bridge Install

## STEP: 3

Place the Incline Bones Bridge Roof onto the railings.



## STEP: 4

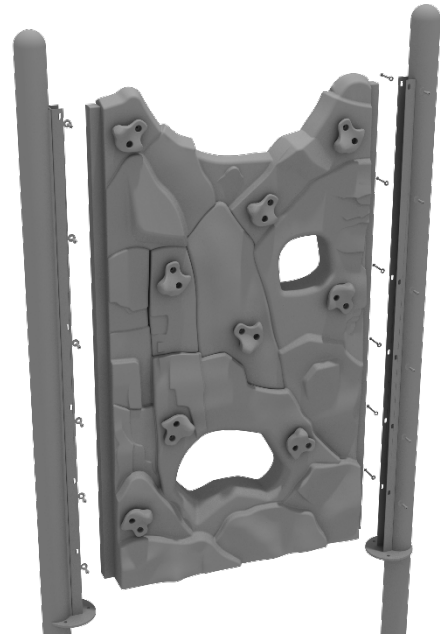
Using four (4) M4\*25 set screws, attach the Incline Bones Bridge Roof to the railings.



## STEP: 1

Refer to the General Installation Instructions footing section for information on climber footings.

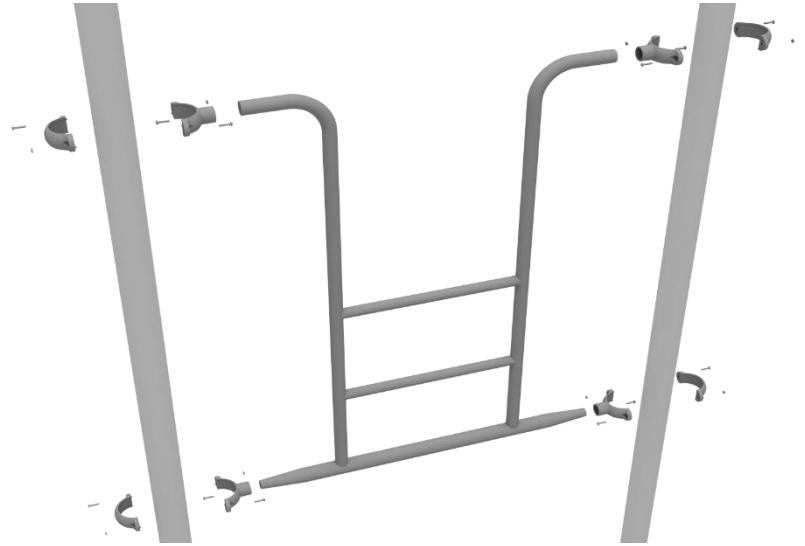
The Craggy Climber Straight Section attaches on both ends. Each connection point uses seven (7) M12 barrel nuts, seven (7) M8\*60 bolts, seven (7) M12 washers, and seven (7) M8 washers.



# Overhead Access Ladder Installation

## STEP: 1

Attach the Overhead Access Ladder to the designated posts by connect half of the tube clamp to the ladder using one (1) M8\*30 bolt. Repeat this process for each attachment point. Set the ladder into place, then attach the second half of the clamp around the post.



# Swinging Ring Ladder Installation

## STEP: 1

Attach the Overhead Swinging Ring Ladder to the designated posts by connect half of the tube clamp to the ladder using one (1) M8\*30 bolt.

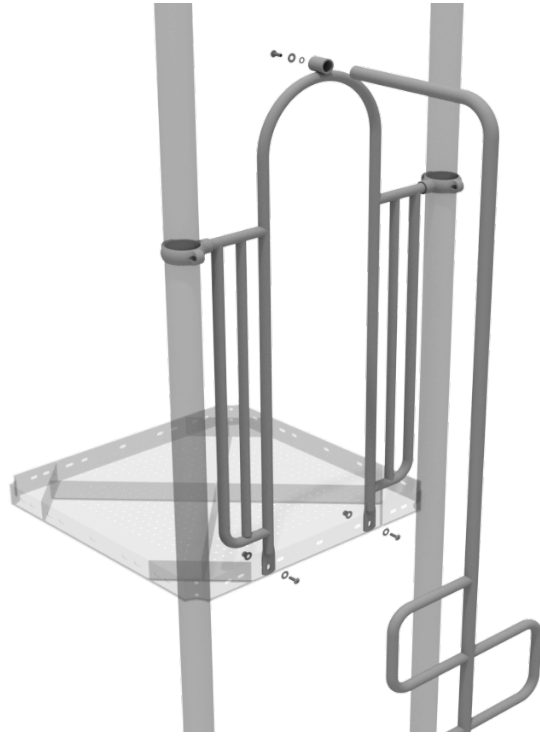
Repeat this process for each attachment point. Set the climber into place, then attach the second half of the clamp around the post.



# Snake Climber Installation

## STEP: 1

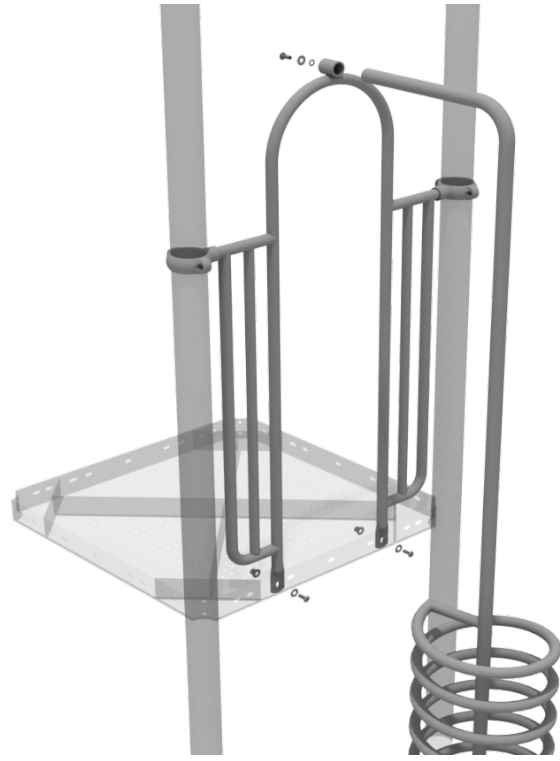
See general installation guide regarding footing information for the snake climber. Attach the top of the climber to the designated arch rail top bracket using one (1) M10\*20 bolt, one (1) M10 spring washer, and one (1) M10 washer.



# Spiral Climber Installation

## STEP: 1

See general installation guide regarding footing information for the spiral climber. Attach the top of the climber to the designated arch rail top bracket using one (1) M10\*20 bolt, one (1) M10 spring washer, and one (1) M10 washer.



# Stump Climber Installation

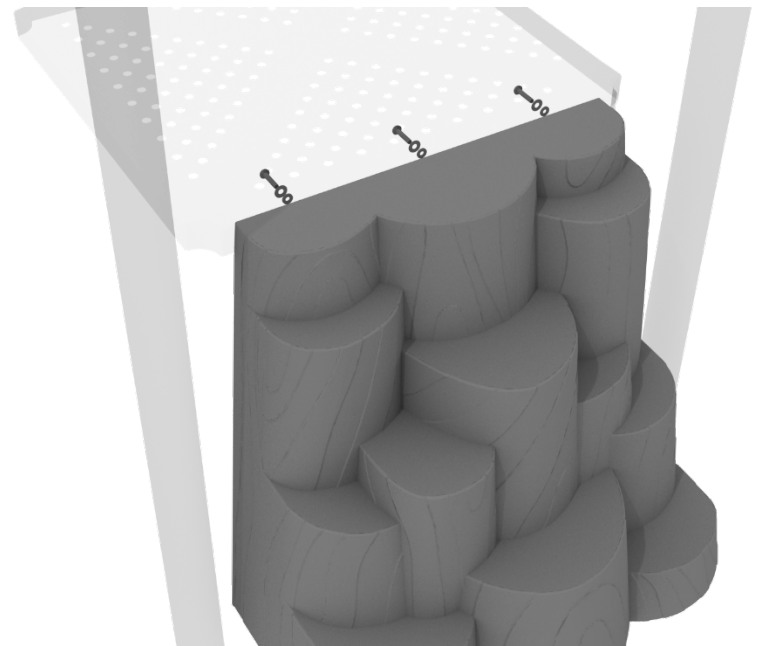
## STEP: 1

See general installation guide regarding footing information for climbers. Using two (2) M10\*20 Bolts, two (2) M10 Spring Gaskets, and two (2) M10 Washers, attach the bottom of the rock whole climber to the climber support posts.



## STEP: 1

Then, using three (3) M10\*35 Bolts, three (3) M10 Spring Washers, and three (3) M10 Washers, attach the Rock hole climber to the deck.

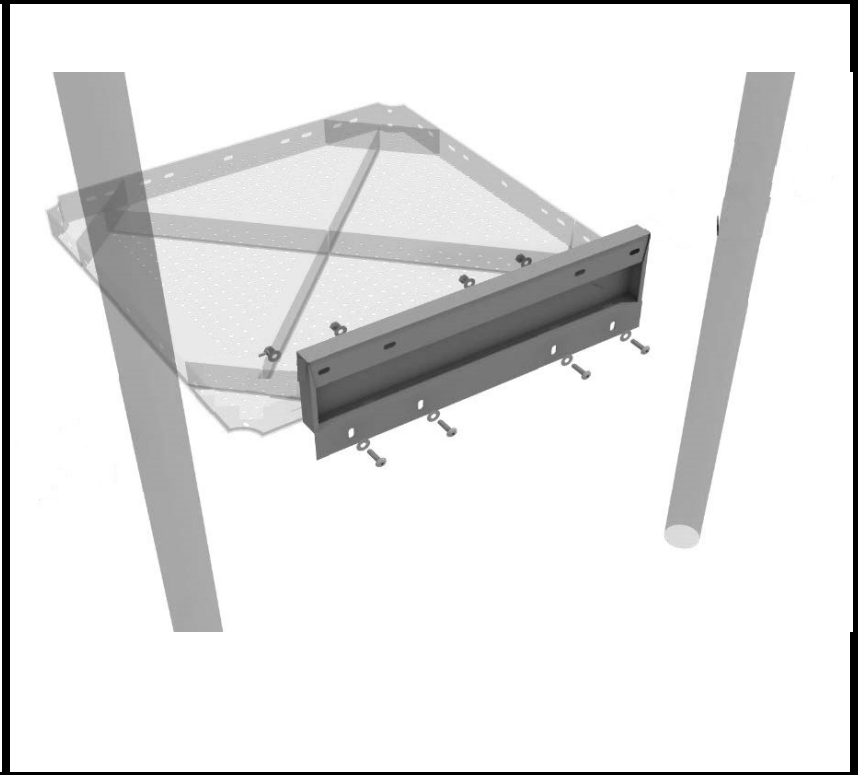




# Spiral Slide Kickplate Installation

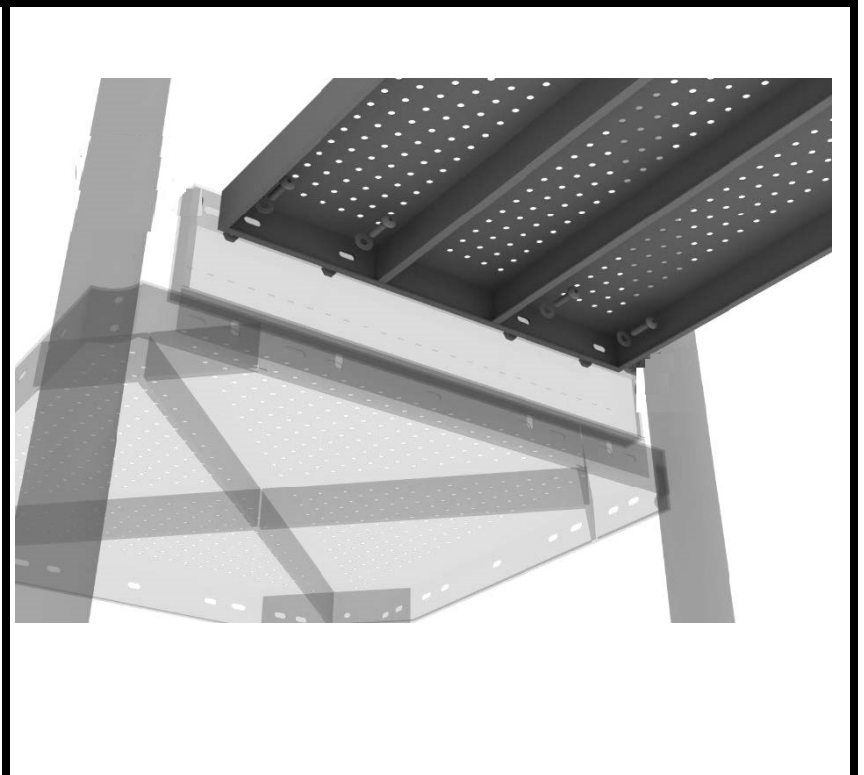
## STEP: 1

Attach the spiral slide kick plate to the proper square deck using four (4) M10\*25 bolts, eight (8) M10 washers, four (4) M10 lock nuts.



## STEP: 2

Attach the spiral slide deck to the top of the spiral slide kick plate using four (4) M10\*25 bolts, eight (8) M10 washers, and four (4) M10 lock nuts.



# Spiral Slide Installation

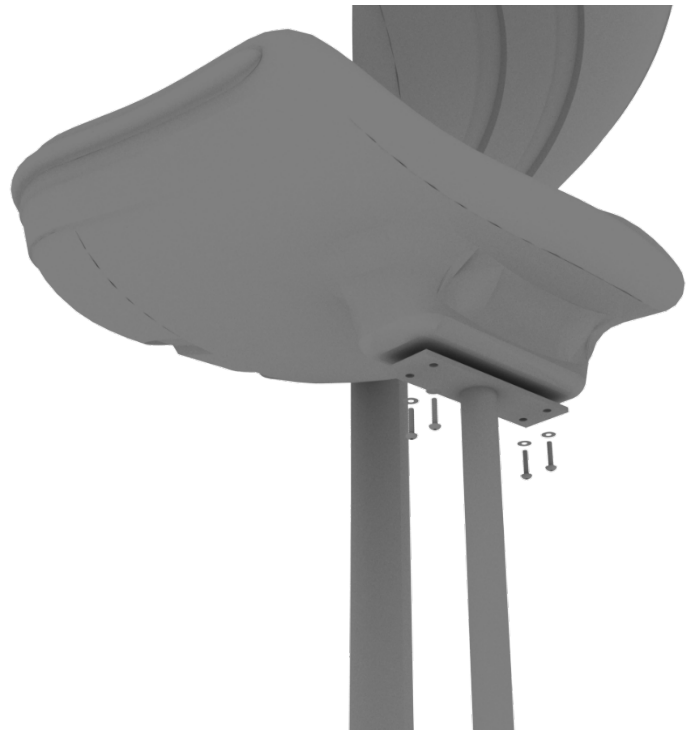
## STEP: 3

Attach the Spiral Slide Deck Support Post to the Spiral Slide Deck using two (2) M10\*25 Bolts, four (4) M10 Washers, and two (2) M10 Lock Nuts.



## STEP: 4

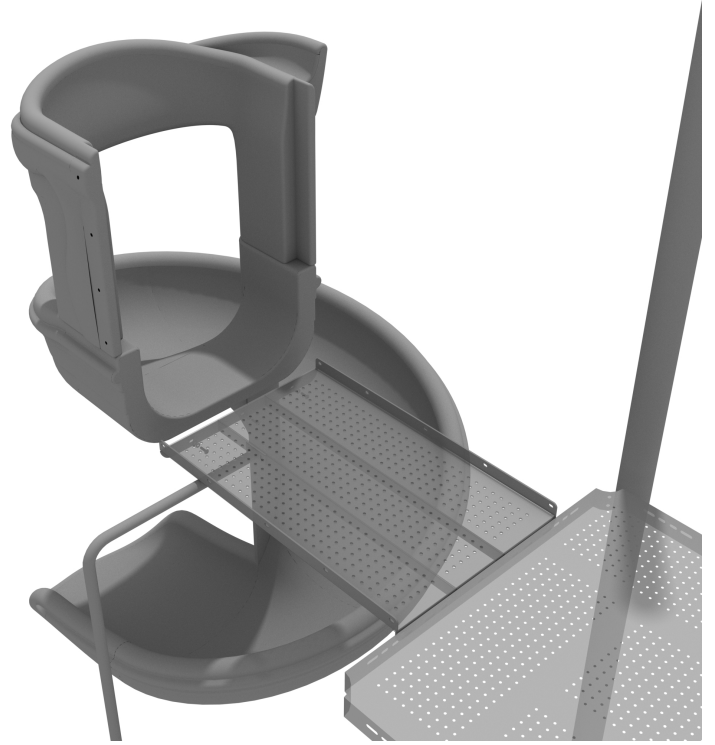
Connect the Spiral Slide Mount to the bottom of the Spiral Slide using four (4) M10\*20 Bolts, four (4) M10 Spring Gaskets, and four (4) M10 Washers. Refer to the General Installation Guide for information on slide footings.



# Spiral Slide Installation

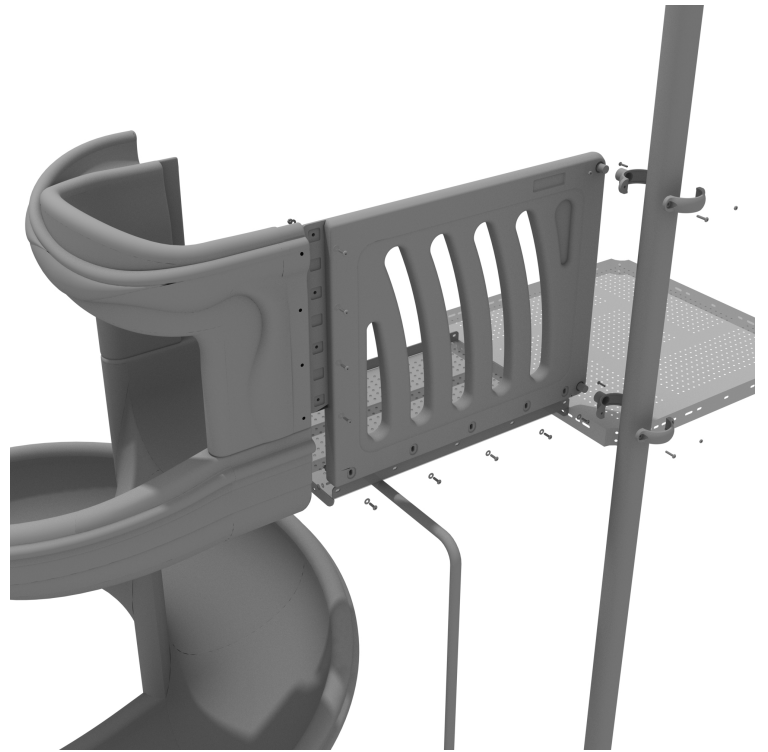
## STEP: 5

See general installation guide regarding footing information for slides and support posts. Connect the Spiral Slide to the Spiral Slide Deck using three (3) M10\*20 Bolts, three (3) M10 Spring Gaskets, and three (3) M10 Washers.



## STEP: 6

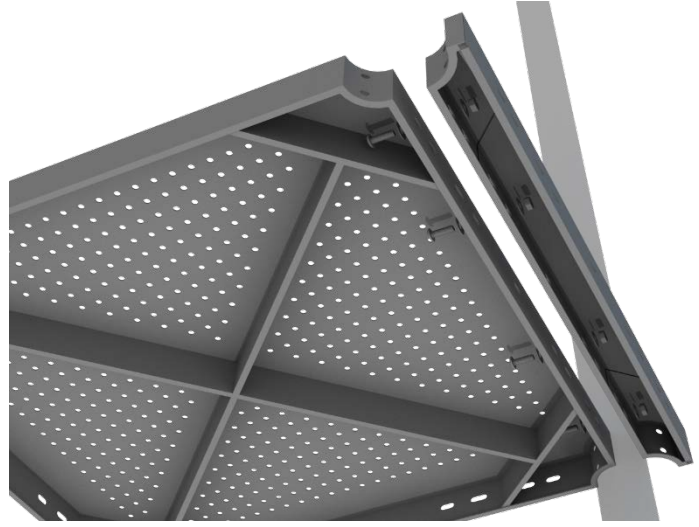
Attach the Spiral Slide Handrail to the Spiral Slide Deck using five (5) M8\*60 Bolts, five (5) M8 Washers, five (5) M12 Washers, and five (5) M12 Inner Hex Nuts. Connect spiral slide panels to slide using four (4) M10\*50 bolts, eight (8) M10 washers, four (4) M10 lock nuts for each panel. Connect the handrails to the posts using two (2) tube clamps. Repeat this process for the other handrail.



# 4-foot Double Straight Slide Installation

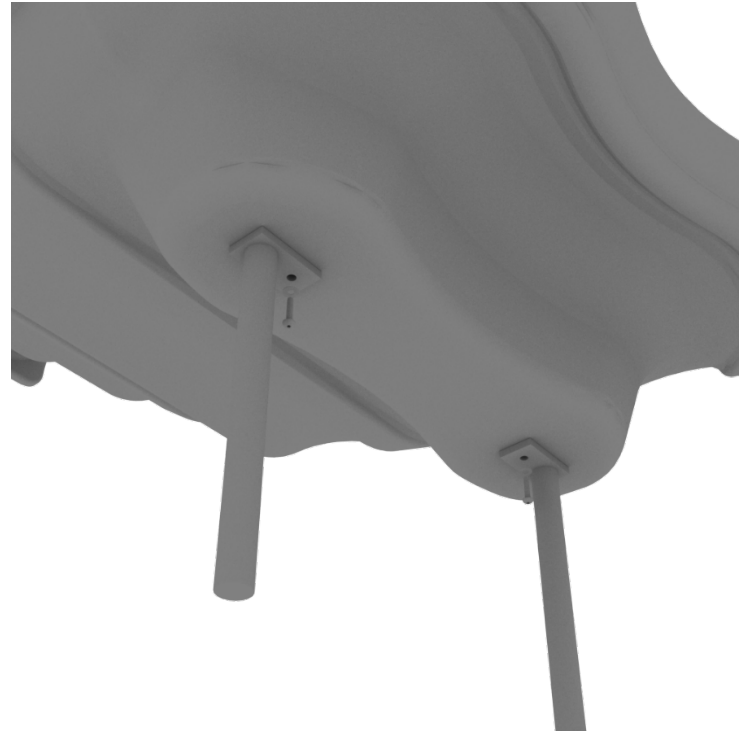
## STEP: 1

For the double slide, you will first need to attach the double slide deck extension. This will require four (4) M10\*25 bolts, eight (8) M10 washers, and four (4) M10 lock nuts.



## STEP: 2

Then, See general installation guide regarding footing information for the double slide end mounts. Using two (2) M8\*20 bolts, two (2) M8 spring gaskets, and two (2) M8 washers, attach the slide end mounts to the double slide.



# 4-foot Double Straight Slide Installation

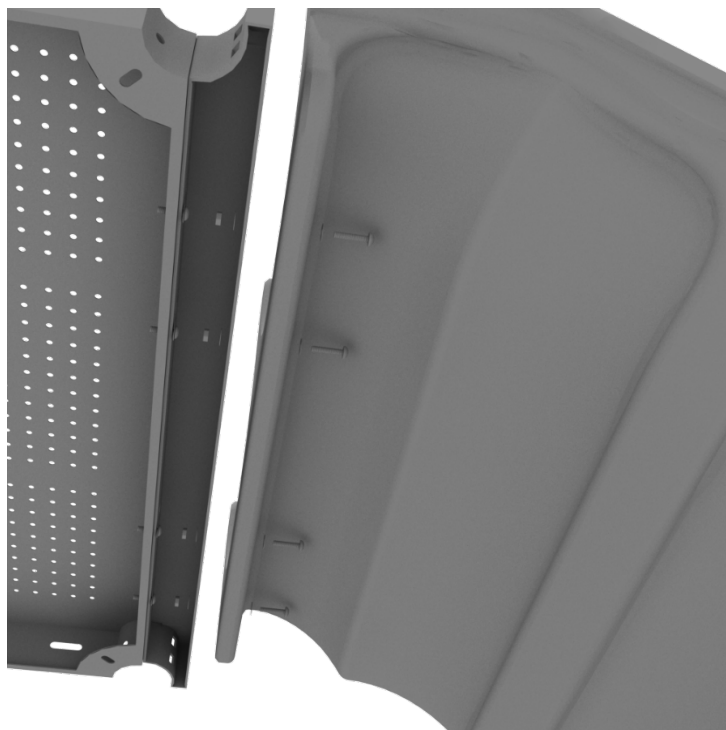
## STEP: 3

Then, See general installation guide regarding footing information for the double slide middle support. Attach the middle support to the slide using two (2) M8\*20 bolts, two (2) M8 spring washers, and two M8 washers.



## STEP: 4

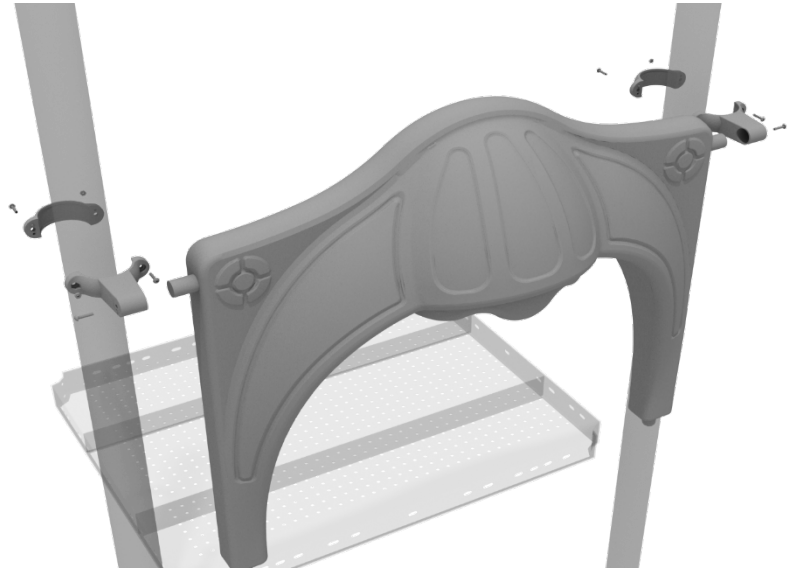
Then, attach the slide to the deck extension using four (4) M10\*45 bolts, eight (8) M10 washers, and four (4) M10 lock nuts.



# 4-foot Double Straight Slide Installation

## STEP: 5

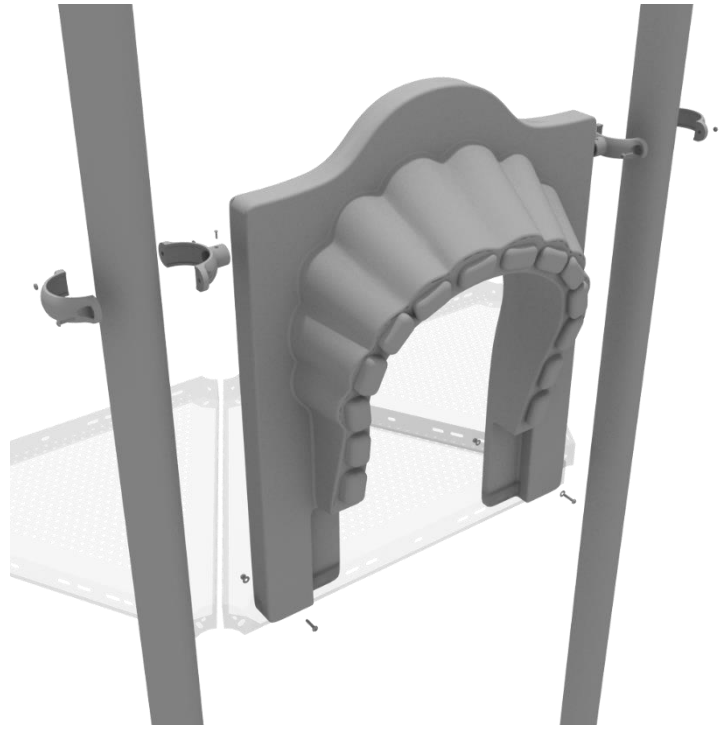
Once the slide is attached, take the double slide hood and insert it into the top of the slide, and then attach the top using two (2) double slide clamps, and two (2) M8\*30 bolts.



# 6-foot Left Turn Slide Installation

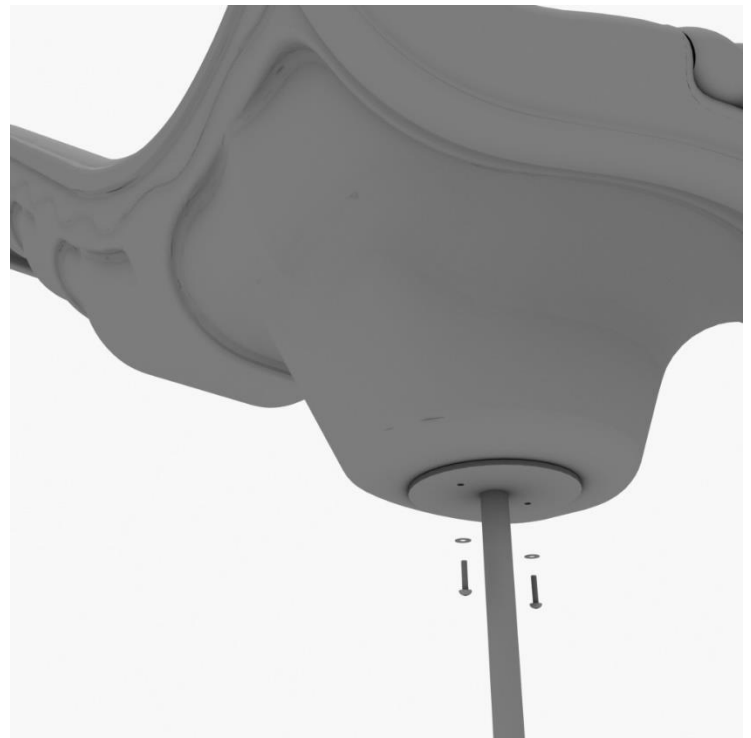
## STEP: 1

To attach the single slide hood to a deck, take two clamps and attach them to the posts using two (2) M4\*25 self-tapping screws. Then, attach the hood to the deck using two (2) M10\*50 bolts, four (4) M10 washers, and two (2) M10 lock nuts. Repeat this process for every single slide hood.



## STEP: 2

See general installation guide regarding footing information for the slide end mount. Using two (2) M8\*20, two (M8) spring gaskets. And two (2) M8 washers, attach the slide to the slide support post.



1 Playground Drive  
Greenfield, IN 46140  
1-800-667-0097

Created By: Aaron Price  
Date: 03/19/2018

# 6-foot Left Turn Slide Installation

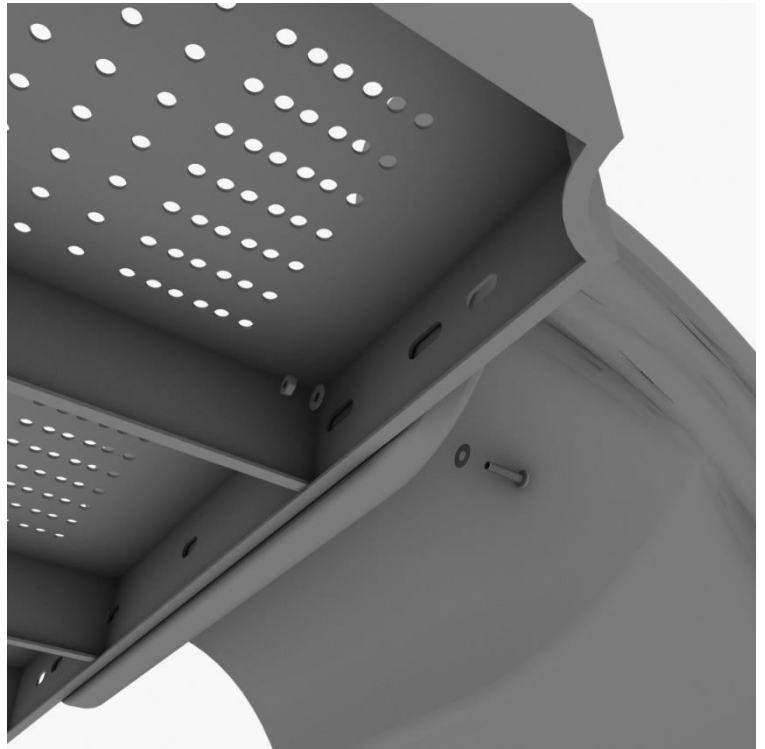
## STEP: 3

See general installation guide regarding footing information for the middle slide support. Loosen the set screw pre-attached to the slide support bracket and insert the L-shaped slide support. Then screw the set screws back into place.



## STEP: 4

Using one (1) M10\*45 bolt, two (2) M10 washers, and two (2) M10 lock nuts, attach one side of the slide to the deck.





# 6-foot Left Turn Slide Installation

## STEP: 5

Using one (1) M8\*45 bolt, one (1) M8 washer, one (1) M12 washer, and one (1) M12 inner hex spiral nut, attach the slide to one side of the slide hood. Repeat this process for the other side of the slide.



## STEP: 6

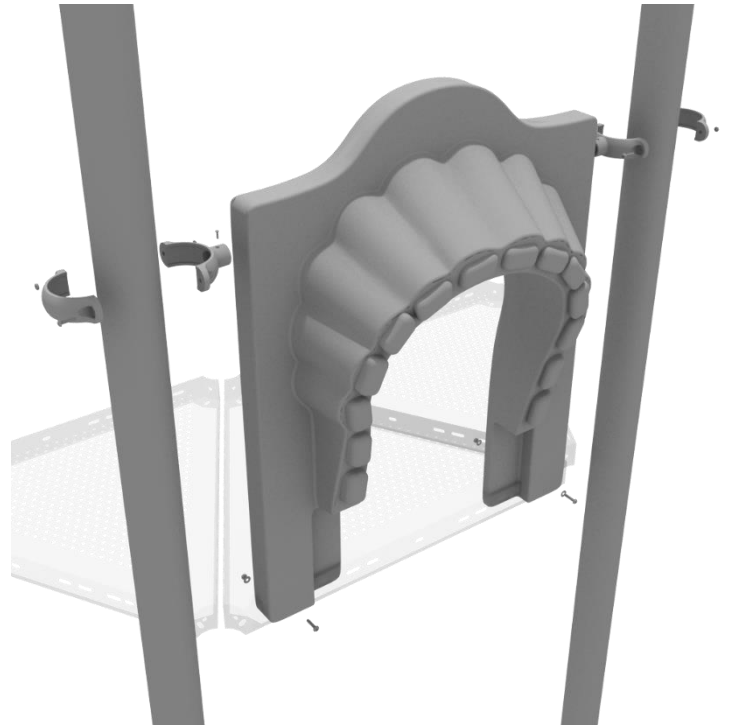
1 Playground Drive  
Greenfield, IN 46140  
1-800-667-0097

Created By: Aaron Price  
Date: 03/19/2018

# 6-foot Right Turn Slide Installation

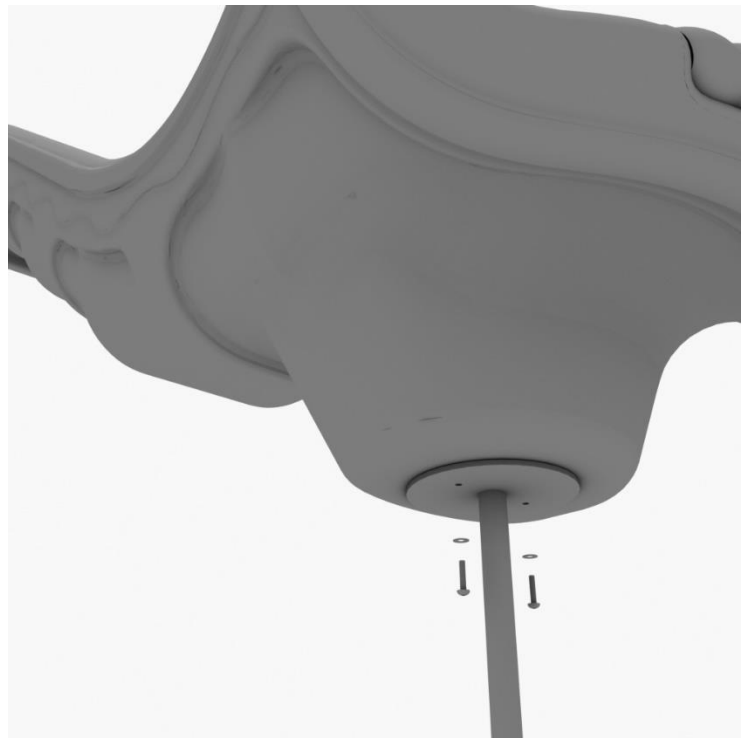
## STEP: 1

To attach the single slide hood to a deck, take two clamps and attach them to the posts using two (2) M4\*25 self-tapping screws. Then, attach the hood to the deck using two (2) M10\*50 bolts, four (4) M10 washers, and two (2) M10 lock nuts. Repeat this process for every single slide hood.



## STEP: 2

See general installation guide regarding footing information for the slide end mount. Using two (2) M8\*20, two (M8) spring gaskets. And two (2) M8 washers, attach the slide to the slide support post.



1 Playground Drive  
Greenfield, IN 46140  
1-800-667-0097

Created By: Aaron Price  
Date: 03/19/2018

# 6-foot Right Turn Slide Installation

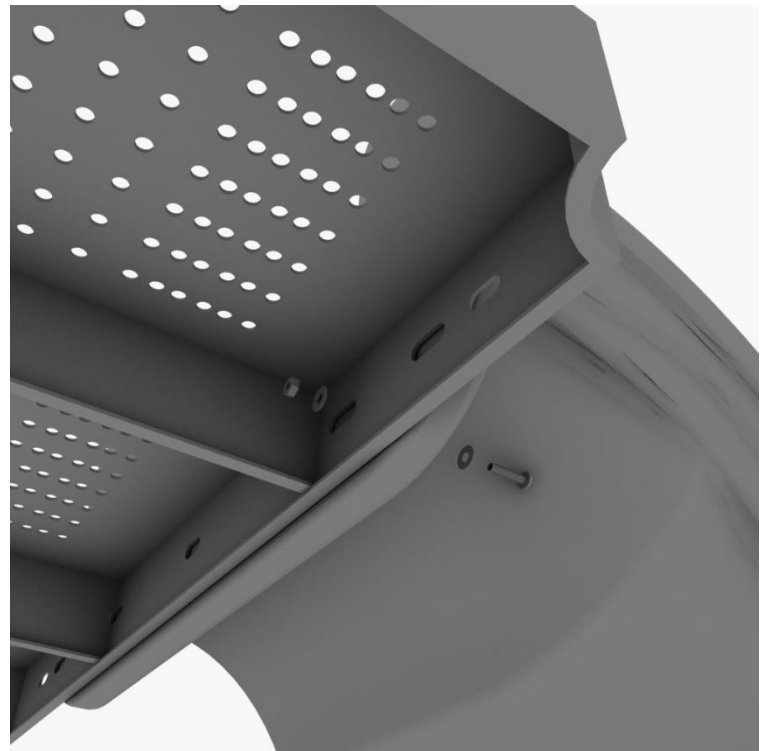
## STEP: 3

See general installation guide regarding footing information for the middle slide support. Loosen the set screw pre-attached to the slide support bracket and insert the L-shaped slide support. Then loosely screw the set screws back into place.



## STEP: 4

Using one (1) M10\*45 bolt, two (2) M10 washers, and two (2) M10 lock nuts, attach one side of the slide to the deck.



1 Playground Drive  
Greenfield, IN 46140  
1-800-667-0097

Created By: Aaron Price  
Date: 03/19/2018

# 6-foot Right Turn Slide Installation

## STEP: 5

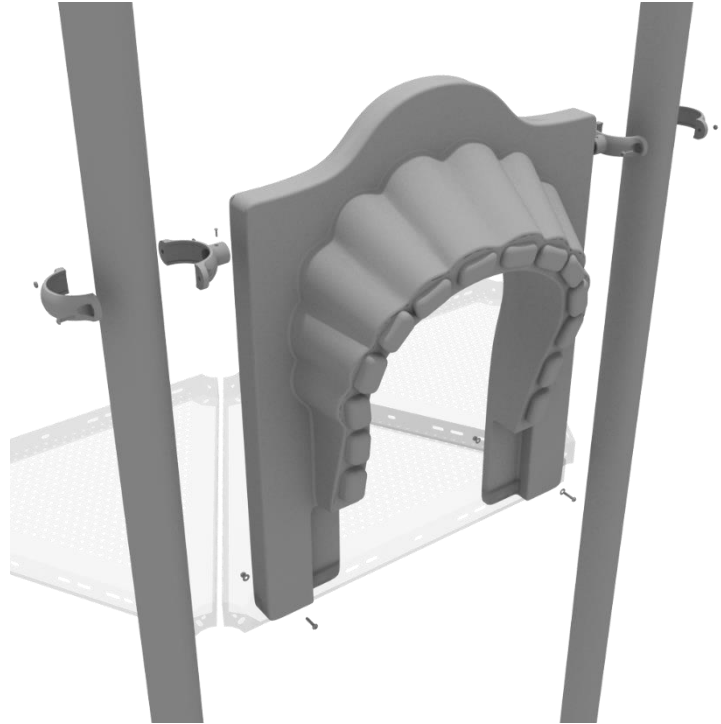
Using one (1) M8\*45 bolt, one (1) M8 washer, one (1) M12 washer, and one (1) M12 inner hex spiral nut, attach the slide to one side of the slide hood. Repeat this process for the other side of the slide.



# 6-Foot Sectional Slide

## Step 1

To attach the single slide hood to a deck, take two clamps and attach them to the posts using two (2) M4\*25 self-tapping screws. Then, attach the hood to the deck using two (2) M10\*50 bolts, four (4) M10 washers, and two (2) M10 lock nuts. Repeat this process for every single slide hood.



## Step 2

Using the hardware pre-attached to the slide, connect the two sections of the slide together.



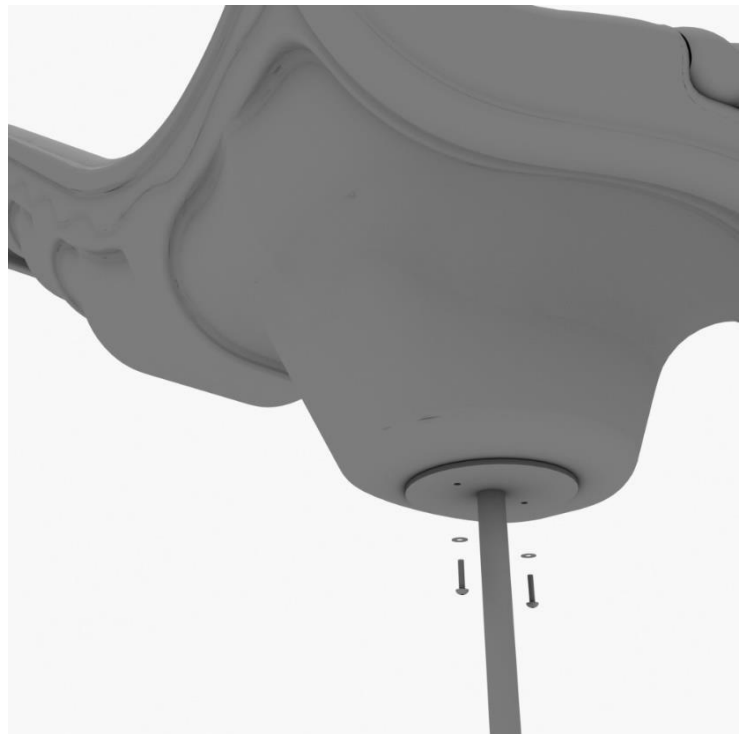
### Step 3

See general installation guide footing information regarding installation of the middle supports, and slide end mount. Insert the middle support into the designated slot under the slide, and tighten the set screws using the provided allen wrench. Repeat this process for the other slide support post.



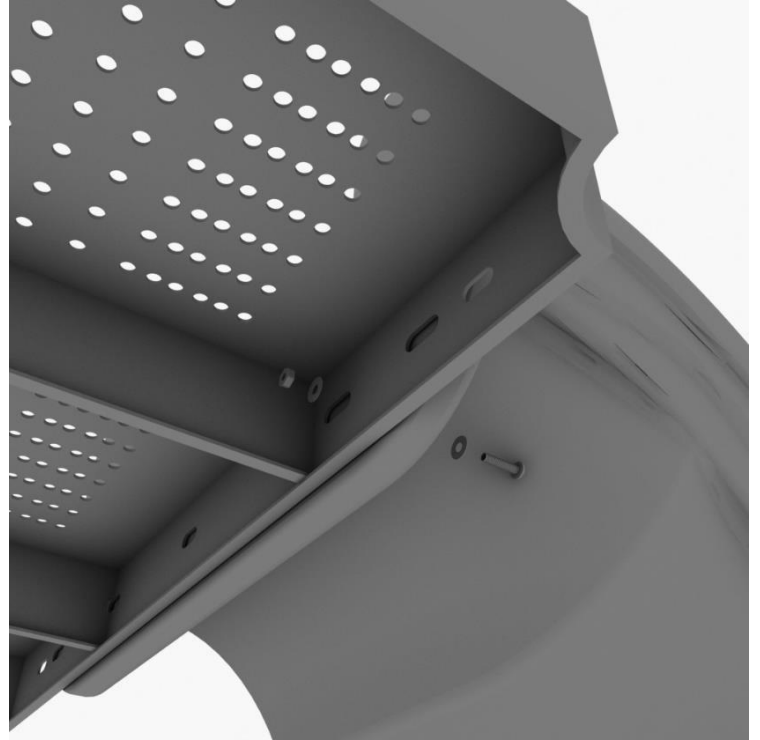
### Step 4

Using two (2) M8\*20, two (M8) spring gaskets, and two (2) M8 washers, attach the slide to the slide end mount.



## Step 5

Using one (1) M10\*45 bolt, two (2) M10 washers, and two (2) M10 lock nuts, attach one side of the slide to the deck. Repeat the process for the other side of the slide.



## Step 6

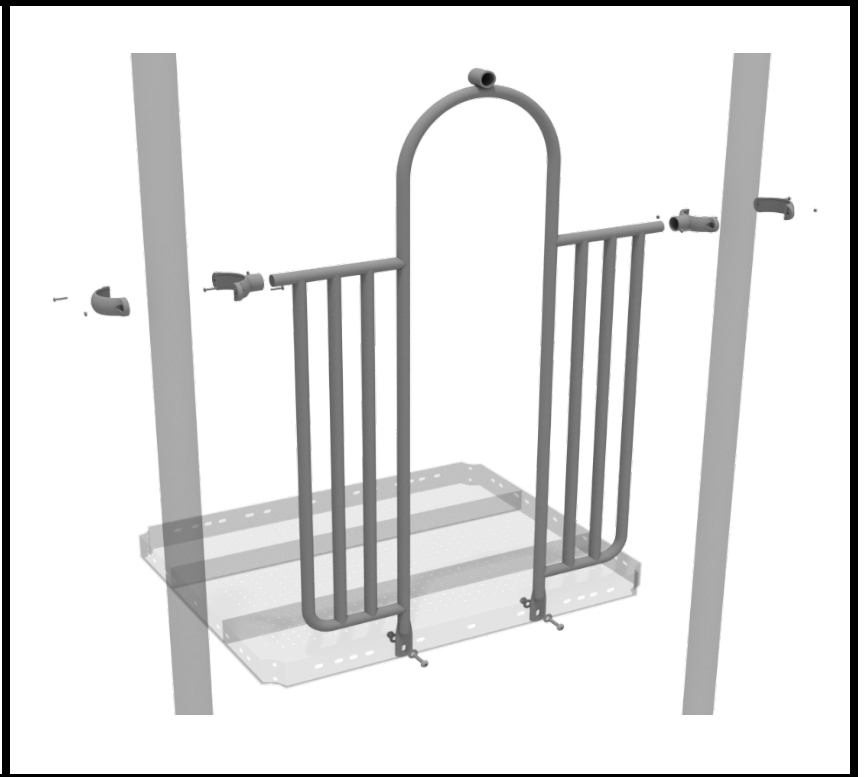
Using two (2) M8\*45 bolts, two (2) M8 washer, two (2) M12 washers, and one (1) M12 inner hex spiral nut, attach the slide to the slide hood. Repeat this process for the other side of the slide.



## 4.5-inch 2-Clamp Arch Rail Installation

### STEP: 1

Attach the Arch Rail to the designated posts by connect half of the tube clamp to the arch rail using one (1) M8\*30 bolt. Repeat this process for each post attachment point. Then, attach the rail to the deck using two (2) M10\*25 bolts, four (4) M10 washers, and two (2) M10 lock nuts. Finally, attach the second half of the clamp around the post.

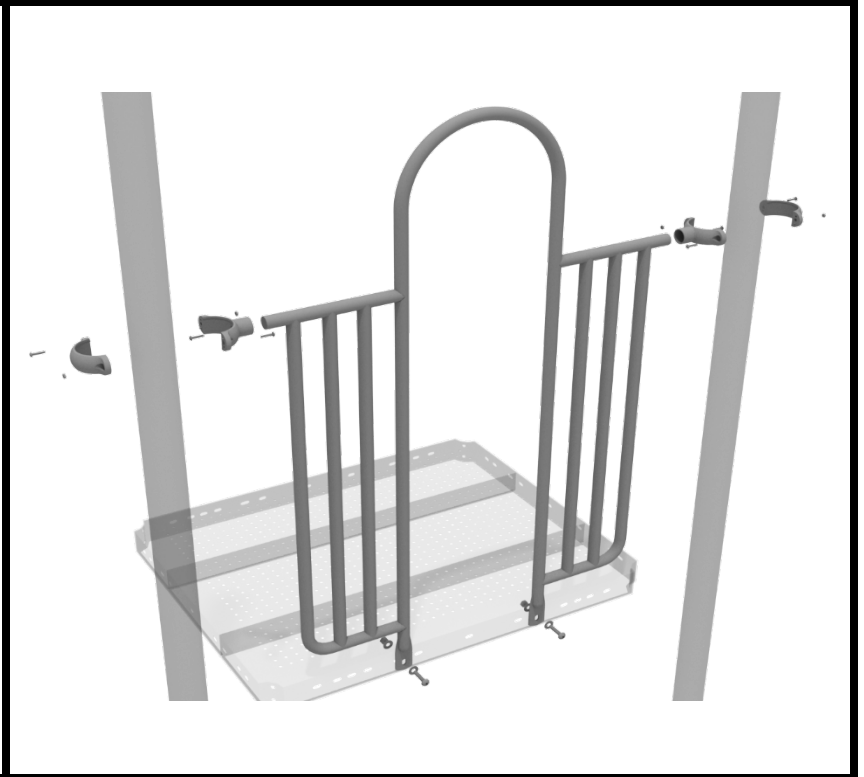




# 4.5-inch 2-Clamp Arch Rail Installation

## STEP: 1

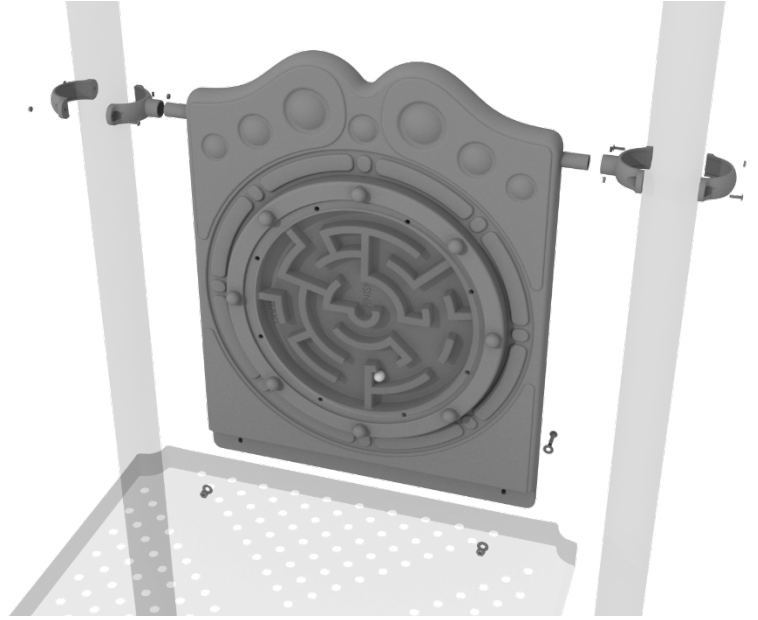
Attach each two-clamp arch rail to the designated deck by using two (2) tube clamps, and two (2) M4\*25 self-tapping screws to attach the top of the panel to the posts. Then use two (2) M10\*25 bolts, four (4) M10 washers, and two (2) M10 lock nuts to attach the panel to the deck.



# 4.5-inch Ball Maze Panel Installation

## STEP: 1

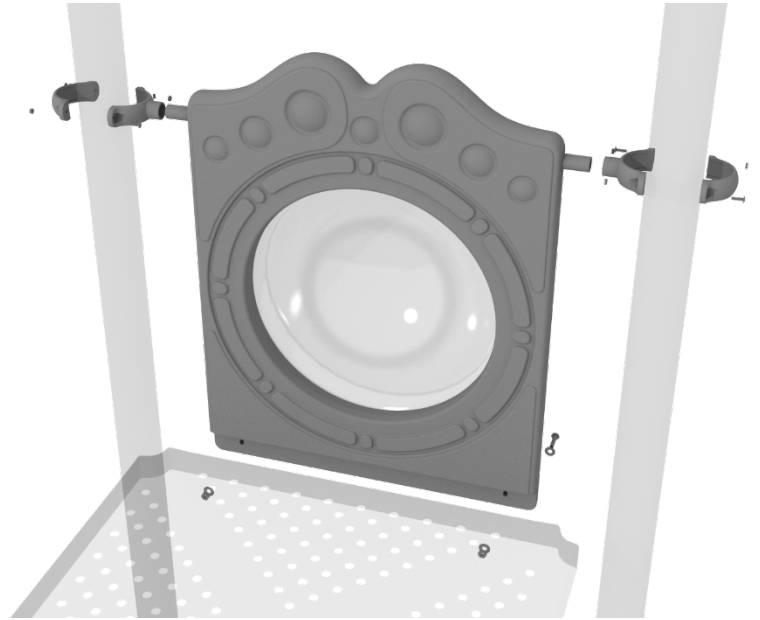
Attach two tube clamps to the Ball Maze Panel using two (2) M4\*25 self-tapping screws and attach those clamps to the proper support posts. Then, attach the bottom of the metal barrier to the deck using two (2) M10\*50 bolts, four (4) M10 washers, and two (2) M10 lock nuts.



# 4.5-inch Bubble Panel Installation

## STEP: 1

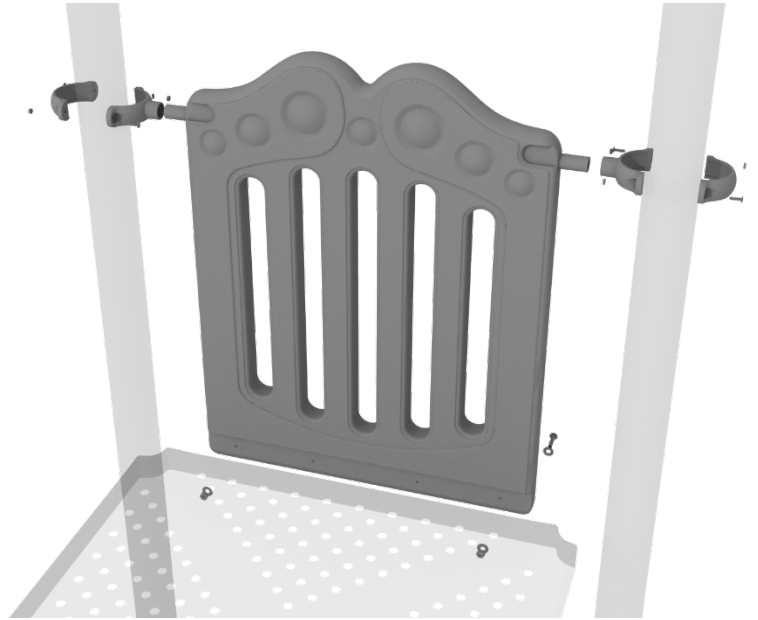
Attach two tube clamps to the Bubble Panel using two (2) M4\*25 self-tapping screws and attach those clamps to the proper support posts. Then, attach the bottom of the metal barrier to the deck using two (2) M10\*50 bolts, four (4) M10 washers, and two (2) M10 lock nuts.



# 4.5-inch Plastic Safety Barrier Installation

## STEP: 1

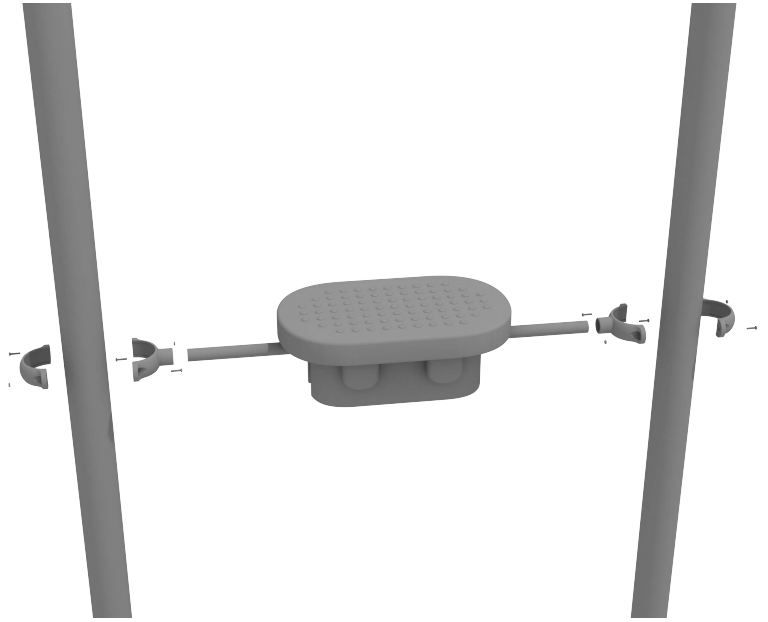
Attach two tube clamps to the Plastic Safety Barrier using two (2) M4\*25 self-tapping screws and attach those clamps to the proper support posts. Then, attach the bottom of the metal barrier to the deck using two (2) M10\*50 bolts, four (4) M10 washers, and two (2) M10 lock nuts.



# 4.5-inch Lookout Step Installation

## STEP: 1

Attach two tube clamps to the Plastic Safety Barrier using two (2) M4\*25 self-tapping screws and attach those clamps to the proper support posts.



# 4.5-inch Metal Barrier Installation

## STEP: 1

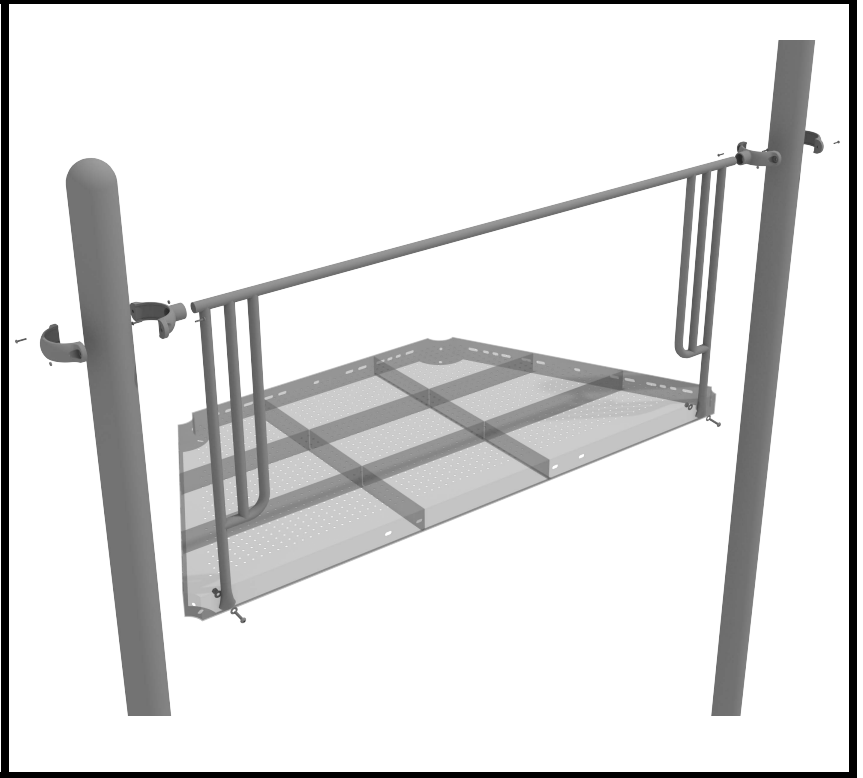
Attach two tube clamps to the metal barrier using two (2) M4\*25 self-tapping screws and attach those clamps to the proper support posts. Then, attach the bottom of the metal barrier to the deck using two (2) M10\*25 bolts, four (4) M10 washers, and two (2) M10 lock nuts.



# 4.5-inch Metal Triple Slide Hood Installation

## STEP: 1

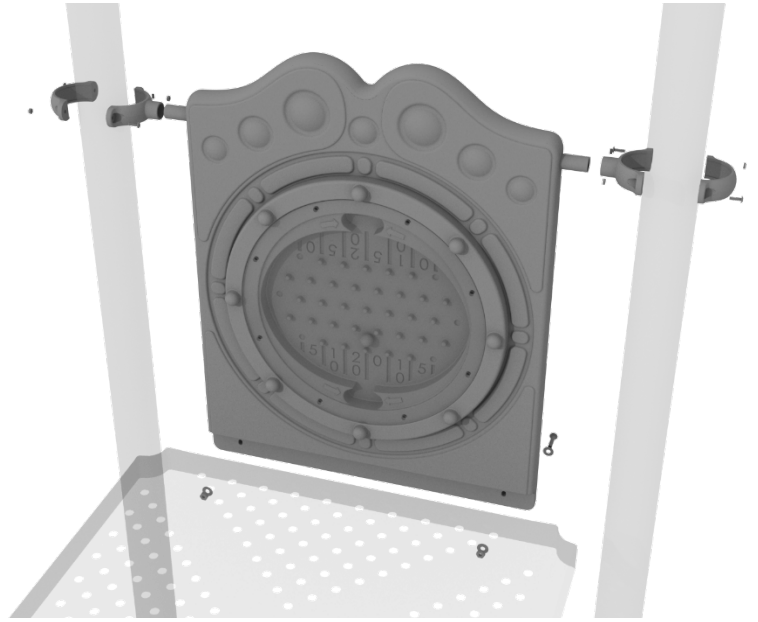
Attach two tube clamps to the metal triple slide hood using two (2) M4\*25 self-tapping screws and attach those clamps to the proper support posts. Then, attach the bottom of the metal barrier to the deck using two (2) M10\*25 bolts, four (4) M10 washers, and two (2) M10 lock nuts.



# 4.5-inch Plinko Panel Installation

## STEP: 1

Attach two tube clamps to the Plinko Panel using two (2) M4\*25 self-tapping screws and attach those clamps to the proper support posts. Then, attach the bottom of the metal barrier to the deck using two (2) M10\*50 bolts, four (4) M10 washers, and two (2) M10 lock nuts.

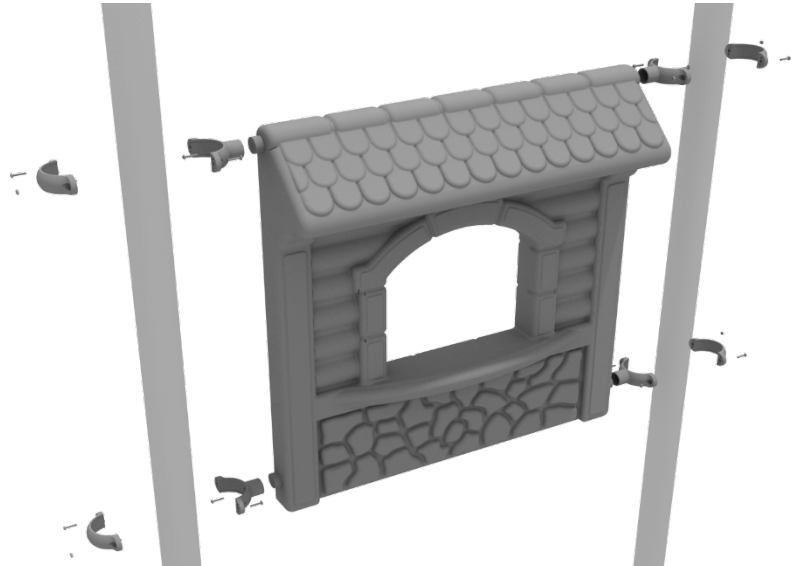




# 5.0-inch Store Panel Installation

## STEP: 1

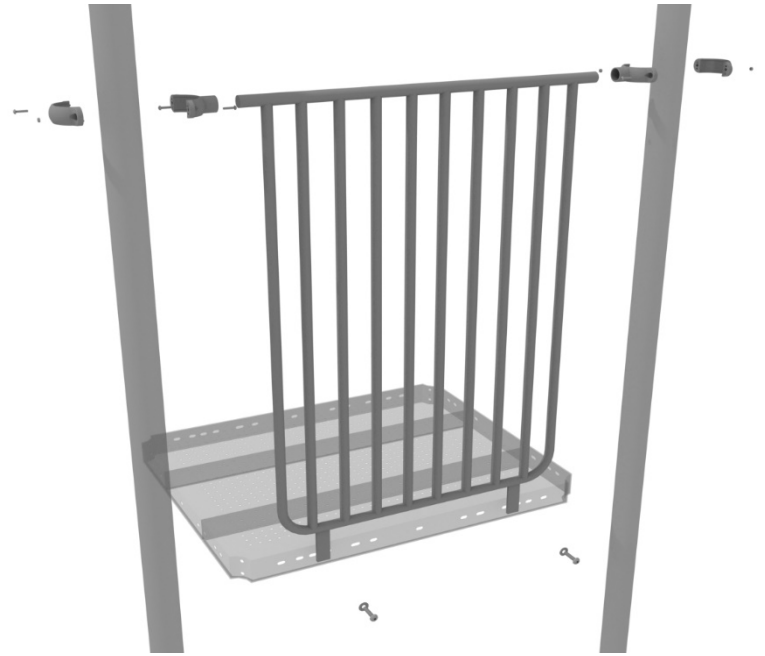
Connect the store panel to the designated post using four (4) 5.0-inch tube clamps.



# 4.5-inch Tall Metal Barrier Installation

## STEP: 1

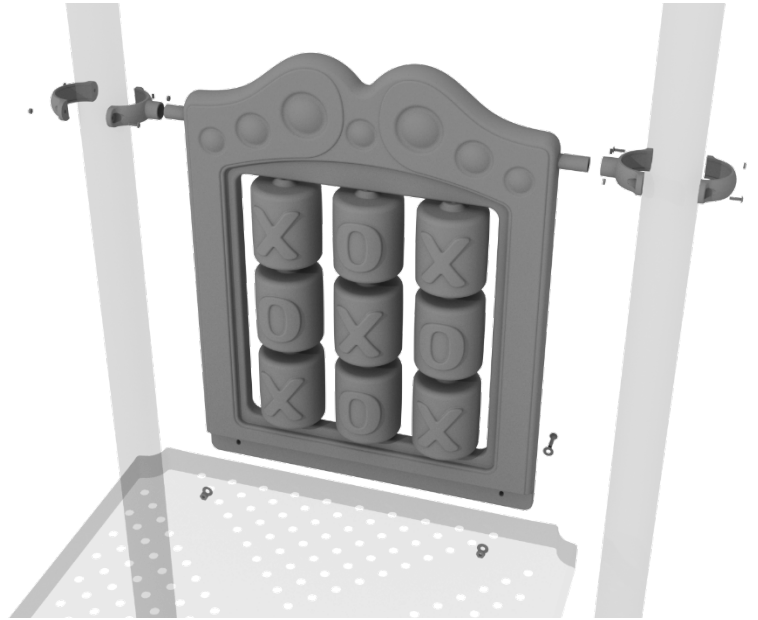
Attach the metal barrier to the designated posts using two (2) tube clamps two (2) M8\*30 bolts. Then, attach the bottom of the metal barrier to the deck using two (2) M10\*25 bolts, four (4) M10 washers, and two (2) M10 lock nuts.



# 4.5-inch Tic Tac Toe Panel Installation

## STEP: 1

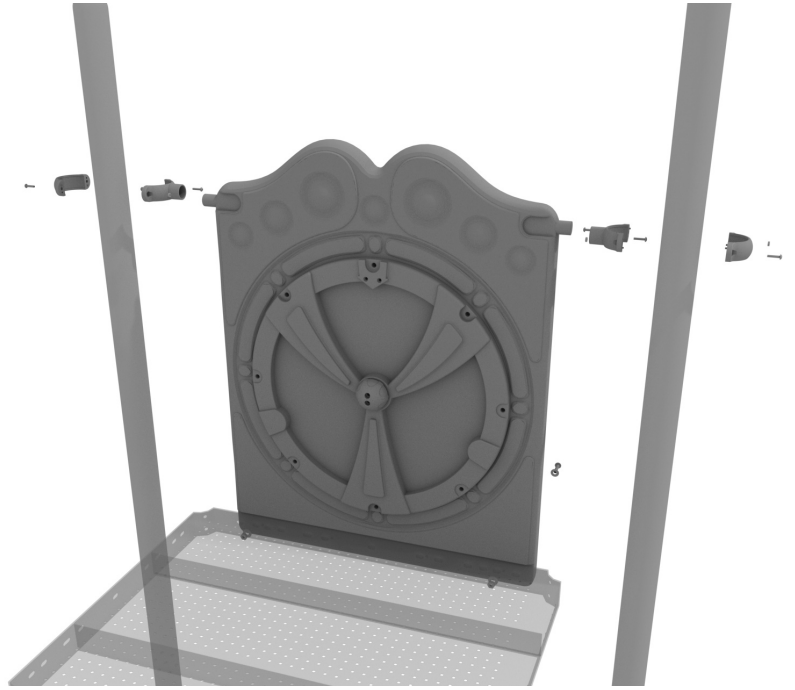
Attach two tube clamps to the Tic Tac Toe Panel using two (2) M4\*25 self-tapping screws and attach those clamps to the proper support posts. Then, attach the bottom of the metal barrier to the deck using two (2) M10\*50 bolts, four (4) M10 washers, and two (2) M10 lock nuts.



# 4.5-inch Wheel of Activity Panel Installation

## STEP: 1

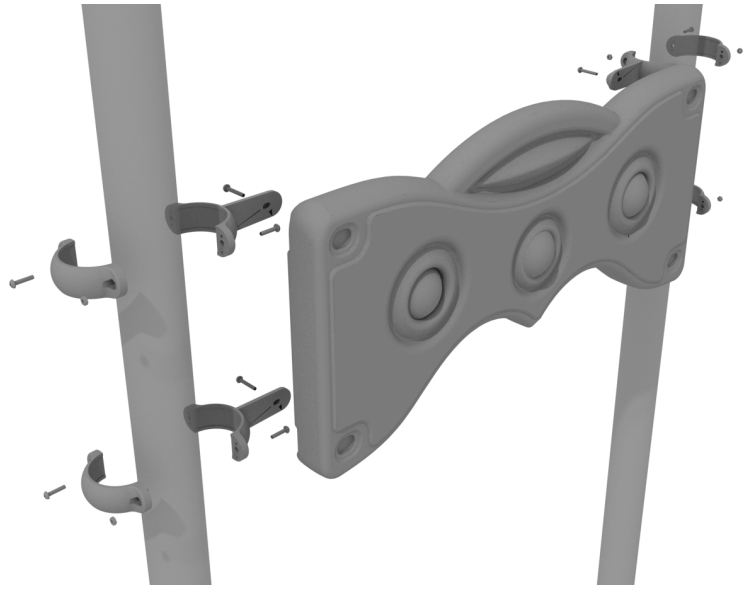
Attach two tube clamps to the Wheel of Activity Panel using two (2) M4\*25 self-tapping screws and attach those clamps to the proper support posts. Then, attach the bottom of the Wheel of Activity Panel to the deck using two (2) M10\*50 bolts, four (4) M10 washers, and two (2) M10 lock nuts.



# Small Plastic Barrier Install Guide

## STEP: 1

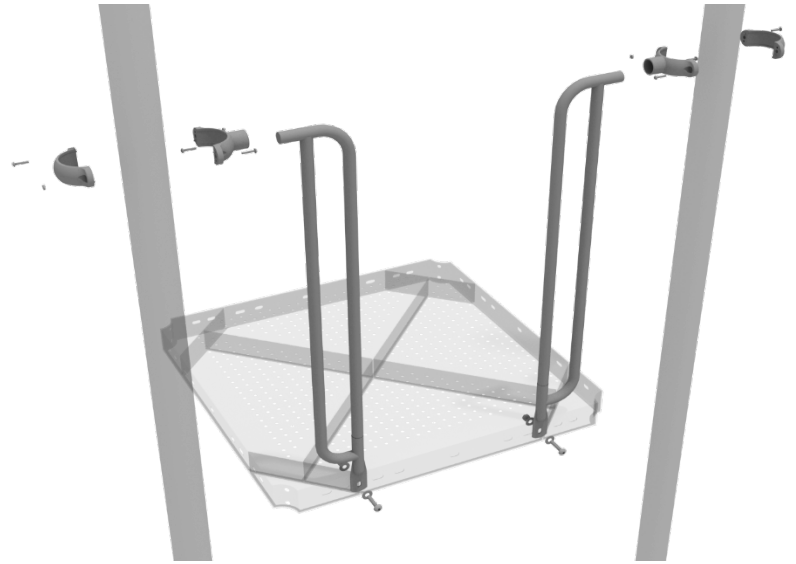
Install the Small Plastic Barrier using four (4) Flat Clamps. See the Clamp Guide for specific details.



# 7-Rail Installation

## STEP: 1

Attach each 7-Rail to the designated posts using one (1) tube clamp and one (1) M8\*30 Bolt. Then, attach the bottom of the 7-Rail to the deck using one (1) M10\*25 Bolt, two (2) M10 Washers, and one (1) M10 Lock Nut.



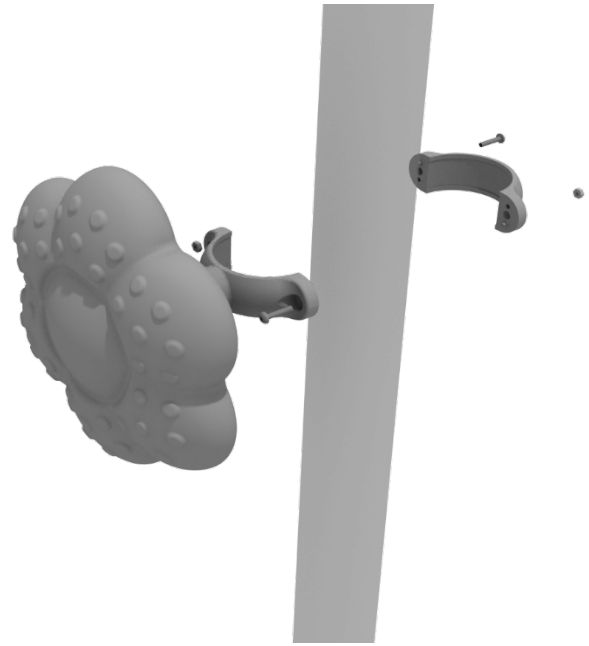
# Rain Wheel Installation

Detach half of the tube clamp connected to the Rain Wheel, and re-attach the clamp around the support post, as shown in the picture.

Recommended install height is 20 to 36 inches above surfacing depending on age range.

*We recommend using Thread-locking fluid on bolts connecting Rain wheel to clamp to prevent hardware from loosening over time.*

(Thread-locker not supplied)

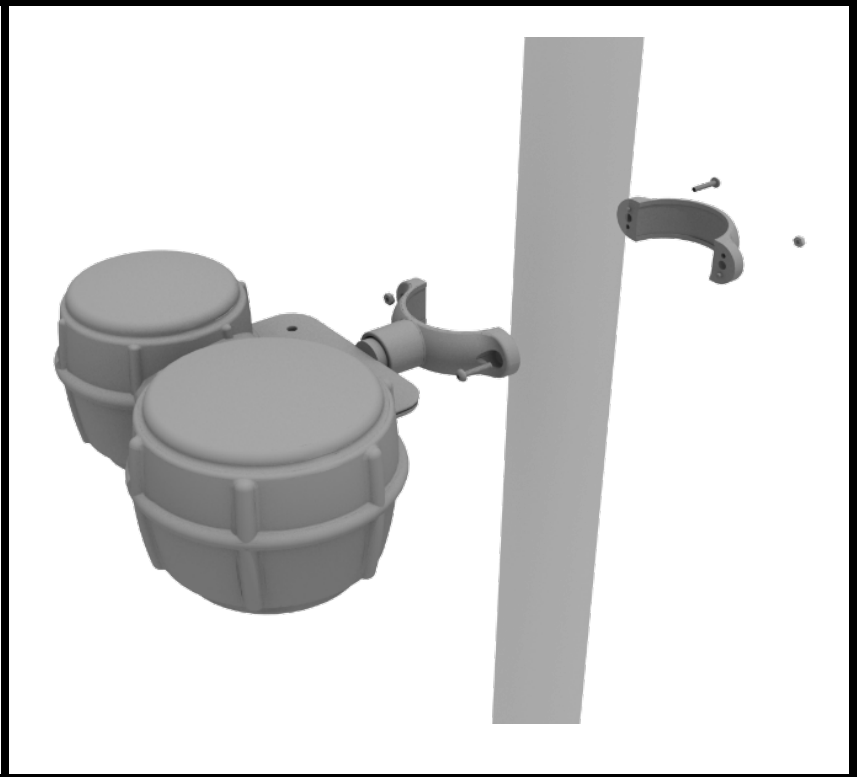


# Bongos Installation

Detach half of the tube clamp connected to the Bongos, and re-attach the clamp around the support post, as shown in the image. Recommended install height is 20 to 36 inches above surfacing depending on age range.

*We recommend using Thread-locking fluid on bolts connecting Bongos to clamp to prevent hardware from loosening over time.*

(Thread-locker not supplied)





# Square Roof Install

## STEP: 1

To attach a square roof, bolt the plastic post caps to the bottom of the roof using four (4) M8\*20 bolts, and eight (8) M8 washers. Then place the roof on top of the posts and screw the caps onto the post using twelve (12) M3\*16 self-tapping screws.



# Hex Roof Install

## STEP: 1

To attach a hex roof, bolt the plastic post caps to the bottom of the roof using six (6) M8\*20 bolts, and six (6) M8 washers. Then place the roof on top of the posts and screw the caps onto the post using eighteen (18) M3\*16 self-tapping screws.

