

Climbing Whirl

Item #20.01.130S



For a smaller version, check out the Climbing Whirl Mini.

Description

By taking away the large bottom platform, the Climbing Whirl Spinner presents an exciting challenge for all ages. At the widest point, is a thick ring to sit upon. Kids will need to focus, climb, and think to be able to reach the middle.

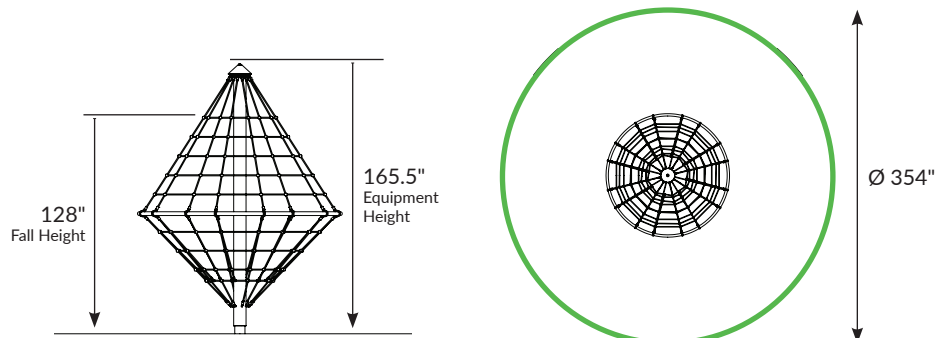
The Spinner Series develops balance, strength, imagination, and social development. As a single attraction or the highlight of every playground, this freestanding play equipment provides fun for a range of different age groups. Constructed with steel and polyester, this spinner is sure to last.

Features

- Climbable inside and out
- Net tapers at the top and bottom with six feet in diameter at the middle
- Rotational speed limited to 13 feet per second
- High user capacity

Specifications

| | |
|-------------------|--------------|
| Installed Height: | 165.5 inches |
| Fall Height: | 128 inches |
| Use Zone: | Ø 354 inches |
| Age Group: | 5-12 years |
| Capacity: | 20 |



860.531.2391
NetPlayUSA.com