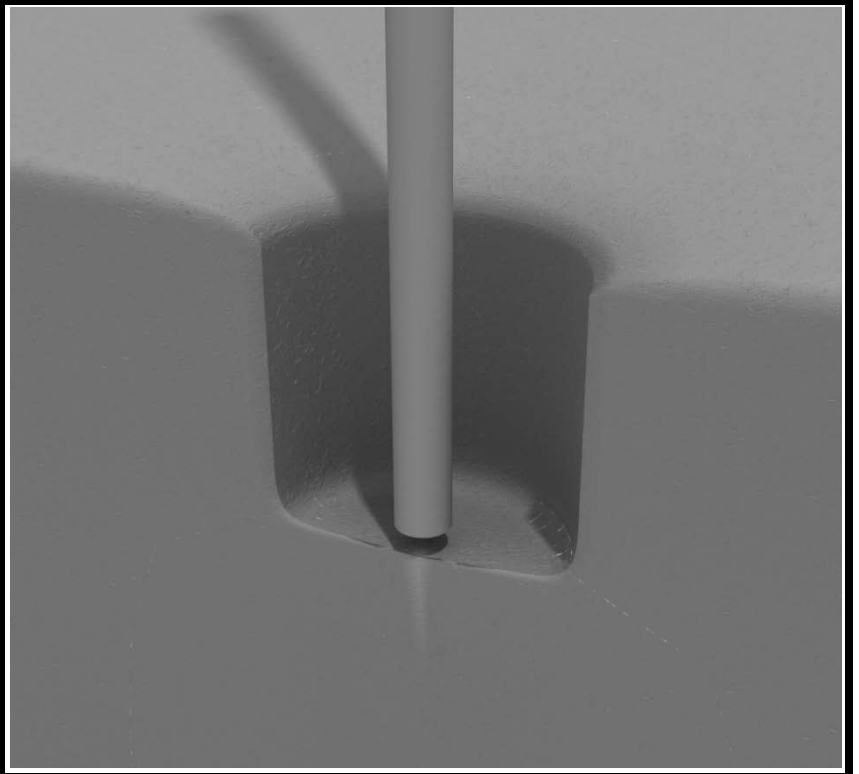


# Post Installation

## STEP: 1

**DO NOT CEMENT POSTS INTO PLACE  
UNTIL THE ENTIRE STRUCTURE IS  
ASSEMBLED.**

Refer to the General Installation  
guide footing information and dig  
proper holes for the support posts.



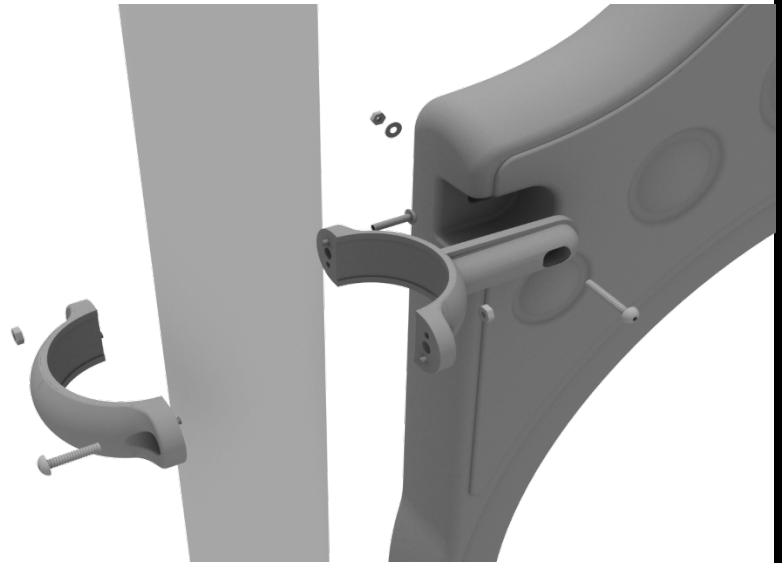
## 3.5-inch Clamp Installation Examples

The following three pages will include examples of how to install some of the most common types of Clamps that are present on our structures that use 3.5-inch outside diameter posts. The structure that you are assembling might not require all the types of clamps listed in these examples.

The Install Guides for specific components that come later in this document might call for a specific type of clamp (a tube clamp for example), those sections will not include detailed instructions for the clamps and should direct you back to this section for more detailed information.

### 3.5-inch Flat Clamp Install Example

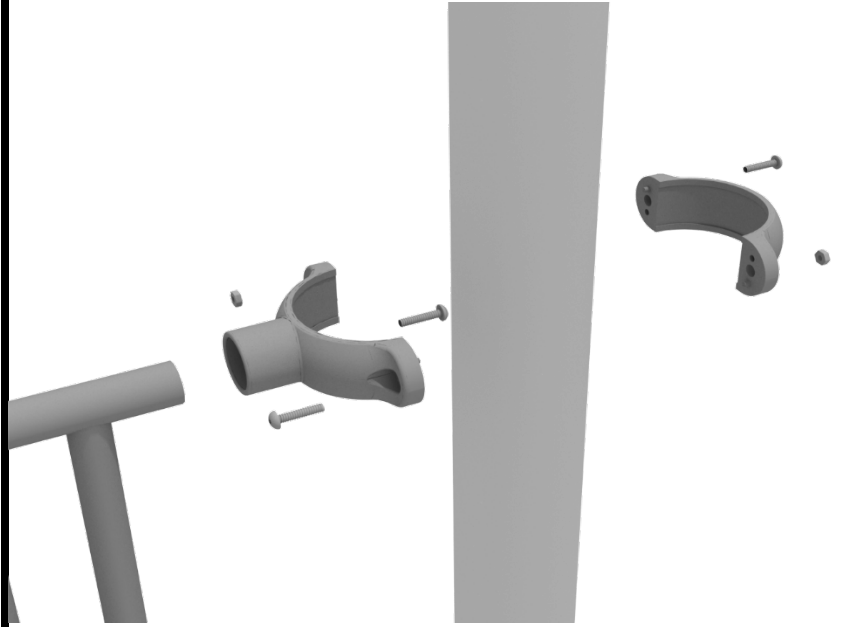
Connect half of the flat clamp to the component using one (1) M8\*40 bolt. Then, using the other half of the flat clamp and the hardware provided in the clamp hardware bag, attach the backside of the flat clamp around the post.



## 3.5-inch Clamp Installation Examples

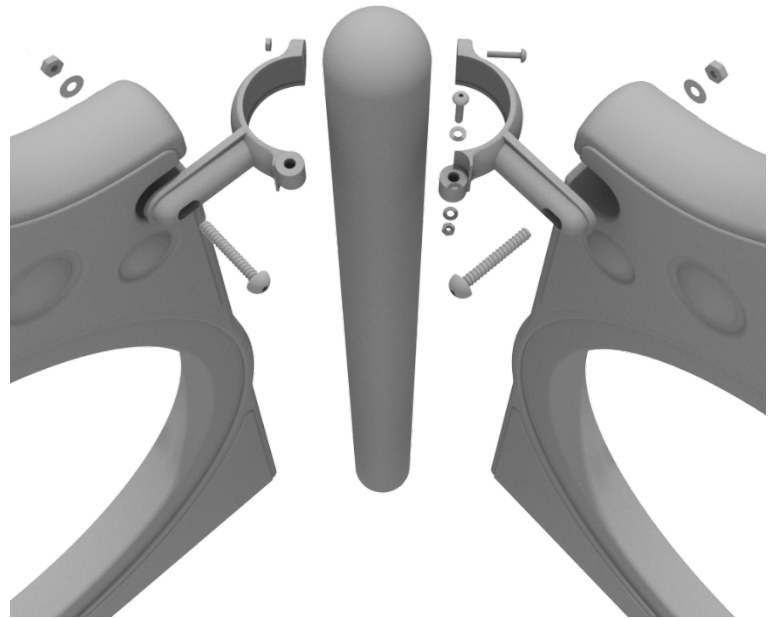
### 3.5-inch Tube Clamp Install Example

Connect half of the clamp to the component using one (1) M8\*30 bolt. Then, using the other half of the tube clamp and the hardware provided in the clamp hardware bag, attach the backside of the tube clamp around the post.



### 3.5-inch 90-Degree Flat Clamp Install Example

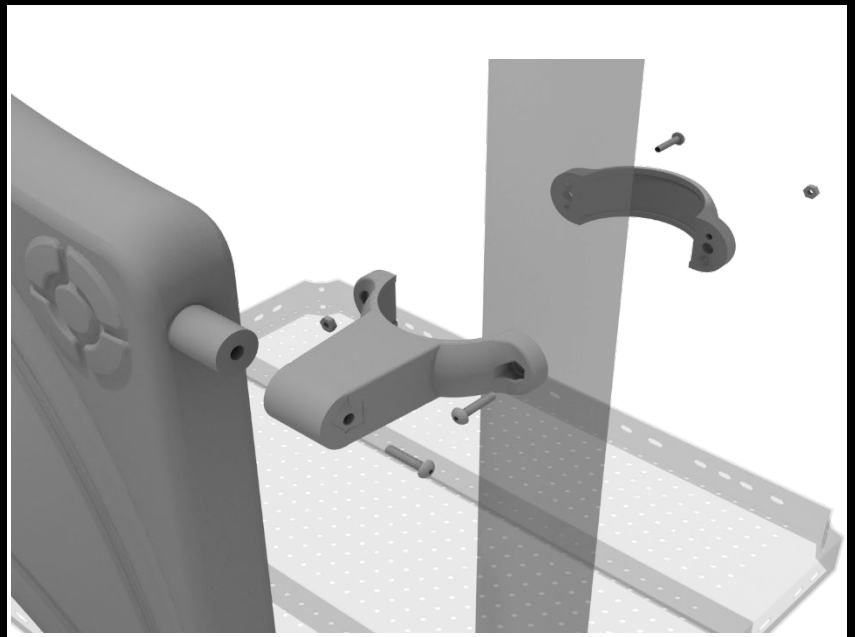
Connect half of the flat clamp to one panel using one (1) M8\*40 bolt. Then, using the other half of the flat clamp and the hardware provided in the clamp hardware bag, attach the other half of the tube clamp around the post. Then, attach the next panel to the other side of the clamp using the same process.



## 3.5-inch Clamp Installation Examples

### 3.5-inch Double Slide Clamp Install Example

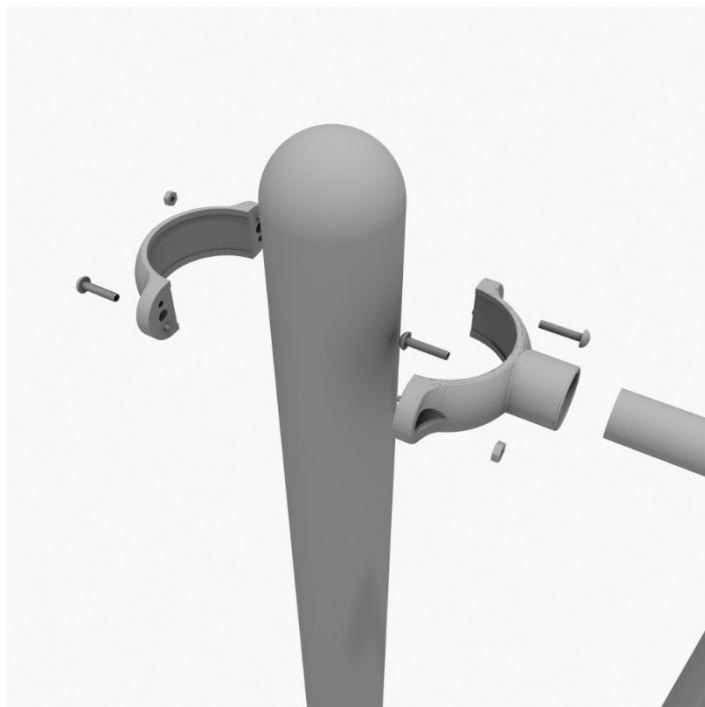
Connect half of the double slide clamp to the double slide hood using one (1) M8\*30 bolt. Then, using the other half of the clamp and the hardware provided in the clamp hardware bag, attach the backside of the double slide clamp around the post.



# 36" Transfer Station (for 3.5" post) Install

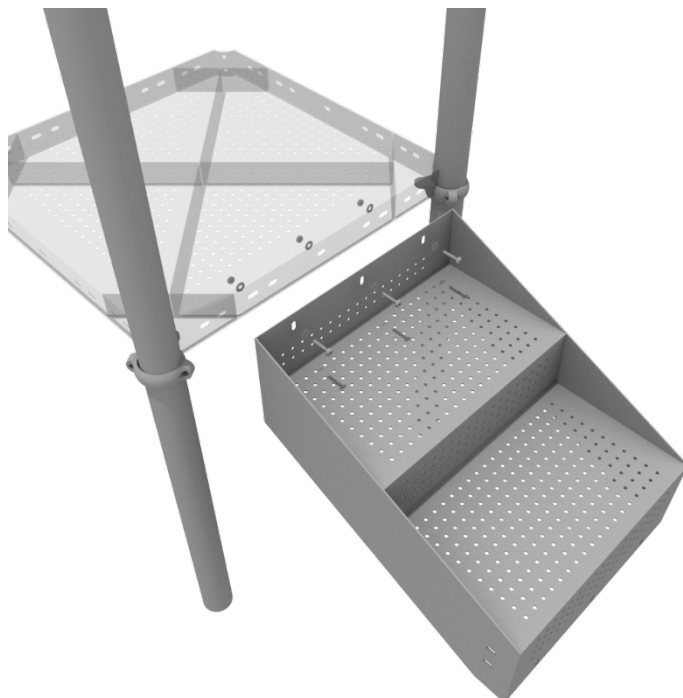
## STEP: 1

Connect half of the 3.5-inch tube clamp to the handrail using one (1) M8\*30 bolt. Set the handrail into place, then attach the second half of the clamp using the hardware provided in the clamp bag. Repeat this process for the other handrail.



## STEP: 2

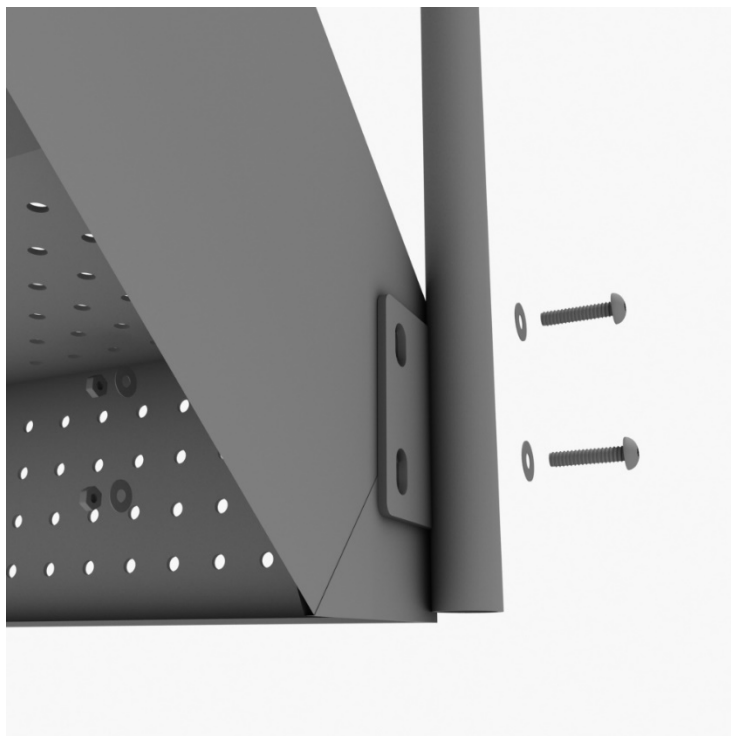
Using three (3) M10\*25 bolts, six (6) M10 washers, and three (3) M10 lock nuts, attach the top of the stairs to the square deck.



# 36" Transfer Station (for 3.5" post) Install

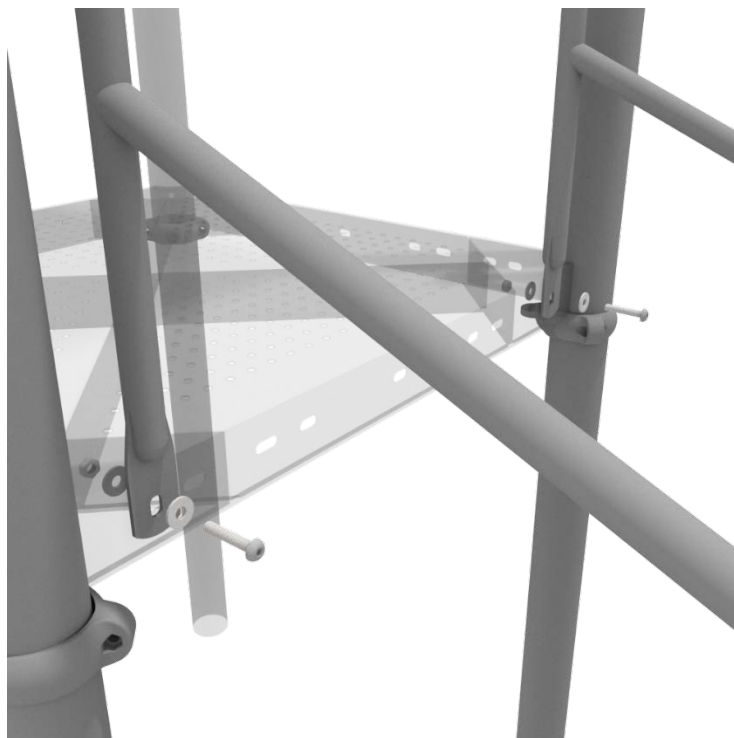
## STEP: 3

Using four (4) M10\*25 bolts, eight (8) M10 washers, and four (4) M10 lock nuts, connect the bottom of the handrails to the bottom of the 3-foot transfer stair.



## STEP: 4

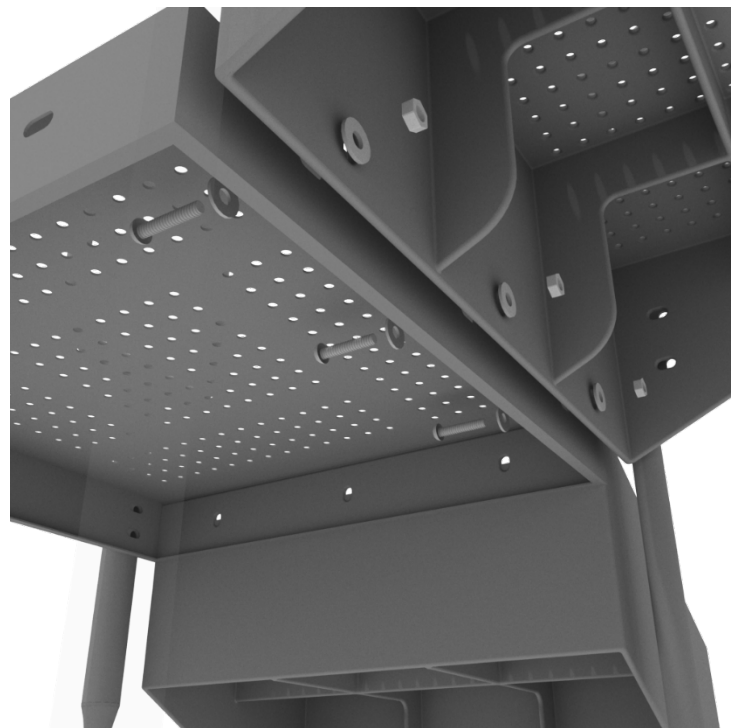
Using two (2) M10\*25 bolts, four (4) M10 washers, two (2) lock nuts, attach the handrail to the square deck.



# 36" Transfer Station (for 3.5" post) Install

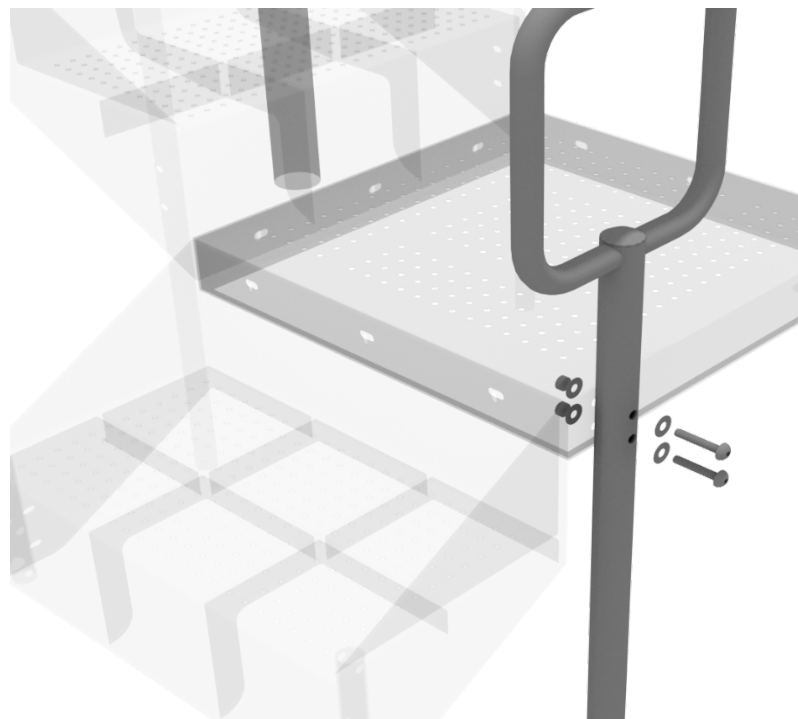
## STEP: 5

Using three (3) M10\*25 bolts, six (6) M10 washers, and three (3) M10 lock nuts, attach the ADA transfer deck to the base of the 3-foot ADA transfer stair.



## STEP: 6

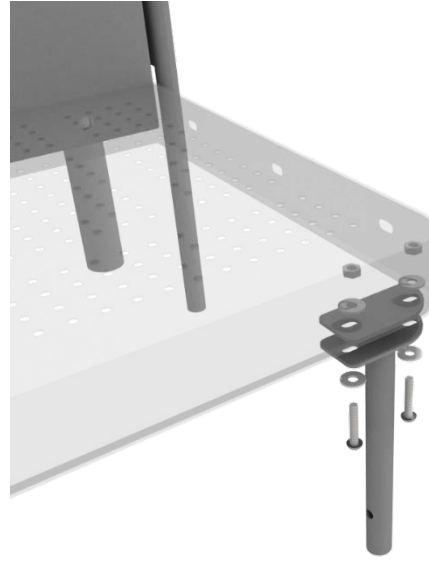
See general installation guide regarding footing information for the transfer deck handrail & mount. Using two (2) M10\*65 bolts, four (4) M10 washers, and two (2) M10 lock nuts, attach the transfer handrail to the ADA transfer deck.



# 36" Transfer Station (for 3.5" post) Install

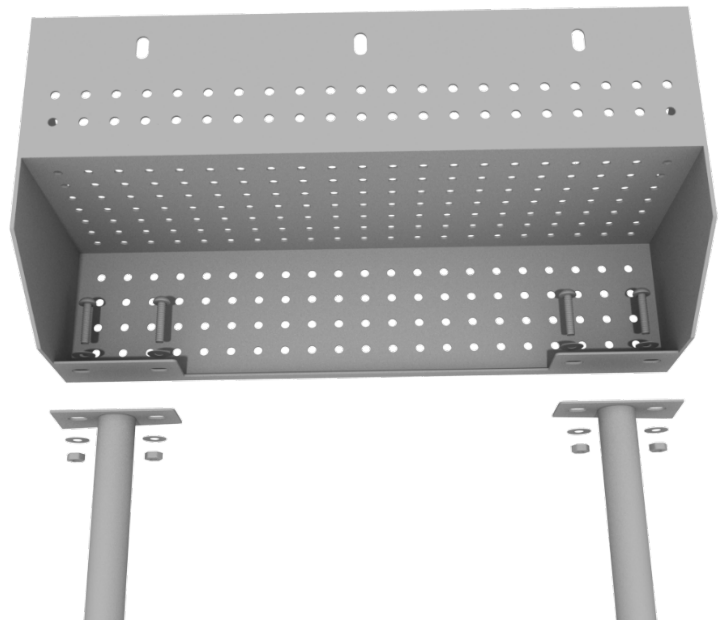
## STEP: 7

Using two (2) M10\*25 bolts, four (4) M10 washers, and two (2) lock nuts, attach the transfer deck mount to the ADA transfer deck.



## STEP: 8

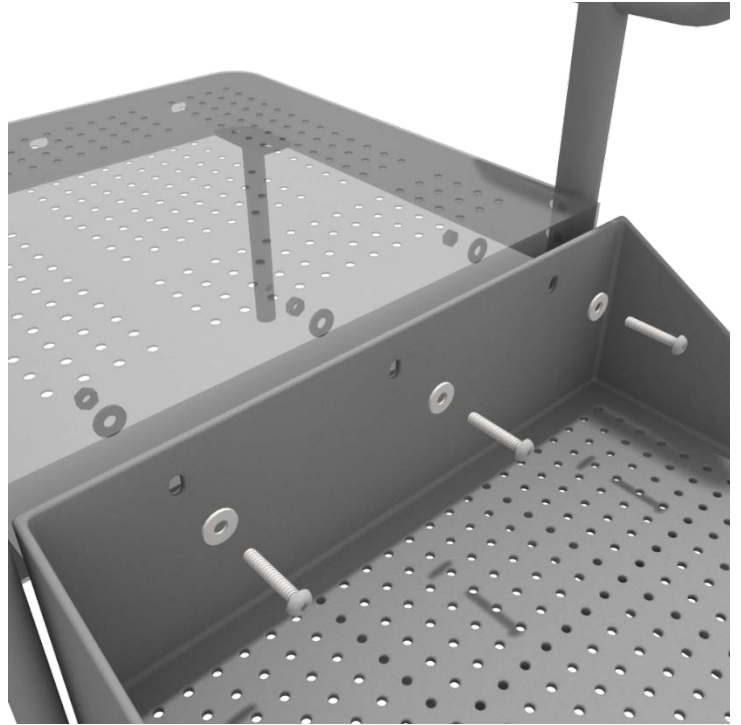
See general installation guide regarding footing information for the ADA transfer step mount. Using two (2) M10 bolts, four (4) M10 washers, and two (2) M10 lock nuts, attach the transfer step to each ADA transfer step mount.



# 36" Transfer Station (for 3.5" post) Install

## STEP: 9

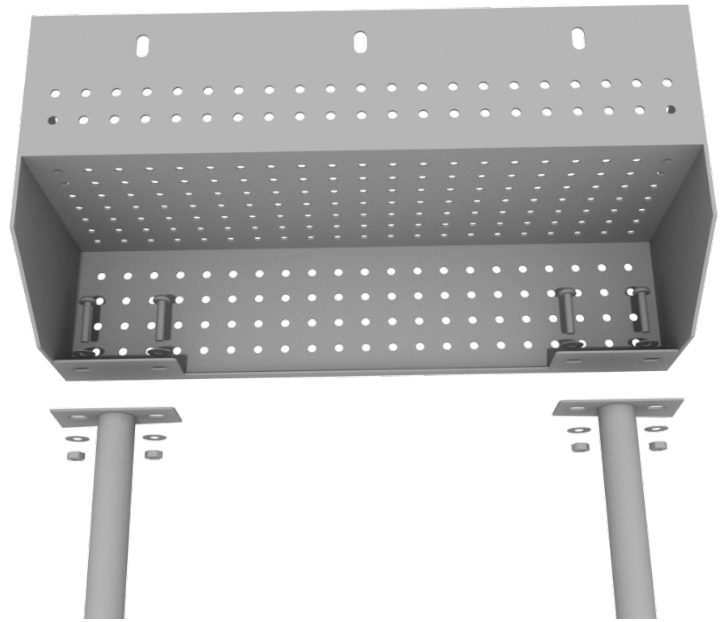
Using three (3) M10\*25 bolts, six (6) M10 washers, and three (3) M10 washers, attach the top of the ADA transfer step to the ADA transfer deck.



# ADA Step Install

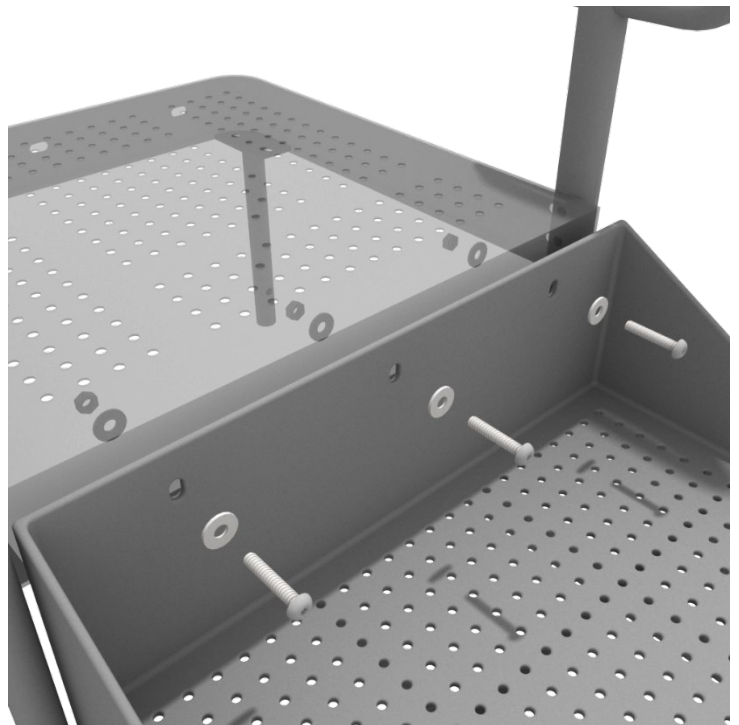
## STEP: 1

See general installation guide regarding footing information for the ADA transfer step mount. Using two (2) M10 bolts, four (4) M10 washers, and two (2) M10 lock nuts, attach the transfer step to each ADA transfer step mount.



## STEP: 2

Using three (3) M10\*25 bolts, six (6) M10 washers, and three (3) M10 washers, attach the top of the ADA transfer step to the ADA transfer deck.



# Square Deck Installation

## STEP: 1

After the posts are in place, using four (4) M10\*35 Bolts, eight (8) M10 Washers, and four (4) M10 Lock Nuts, attach each square deck to each pre-attached deck clamp as shown in the image.

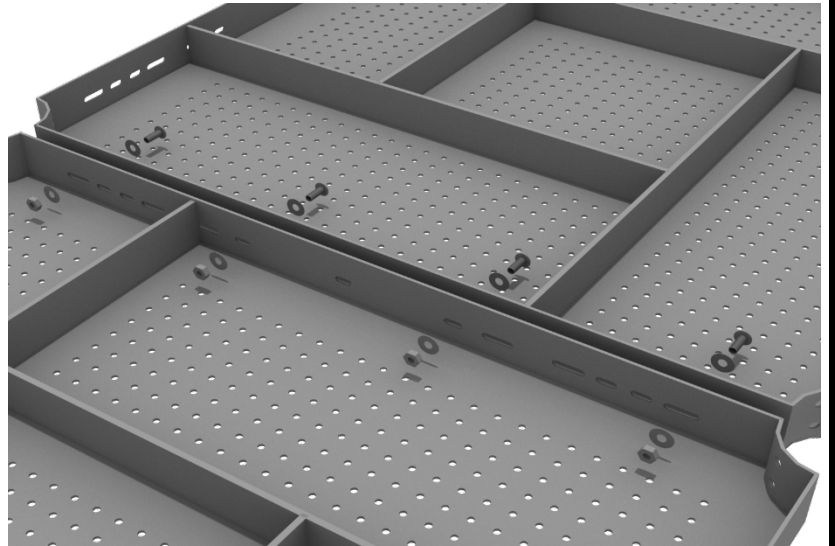
Deck clamps are pre-attached to the posts and should not be altered in any way.



# Square Deck Connect to Square Deck

## STEP: 1

When installing decks that are adjacent to one another at the same height, they should be bolted together. On the underside of the deck, install using four (4) M10\*25 Bolts, eight (8) M10 Washers, and four (4) M10 Lock Nuts. Repeat this process for every set of adjacent decks.



# Triangle Deck Installation

## STEP: 1

After the posts are in place, using three (3) M10\*35 bolts, six (6) M10 washers, and three (3) M10 lock nuts, attach the triangle deck to each pre-attached deck clamp as shown in the image.

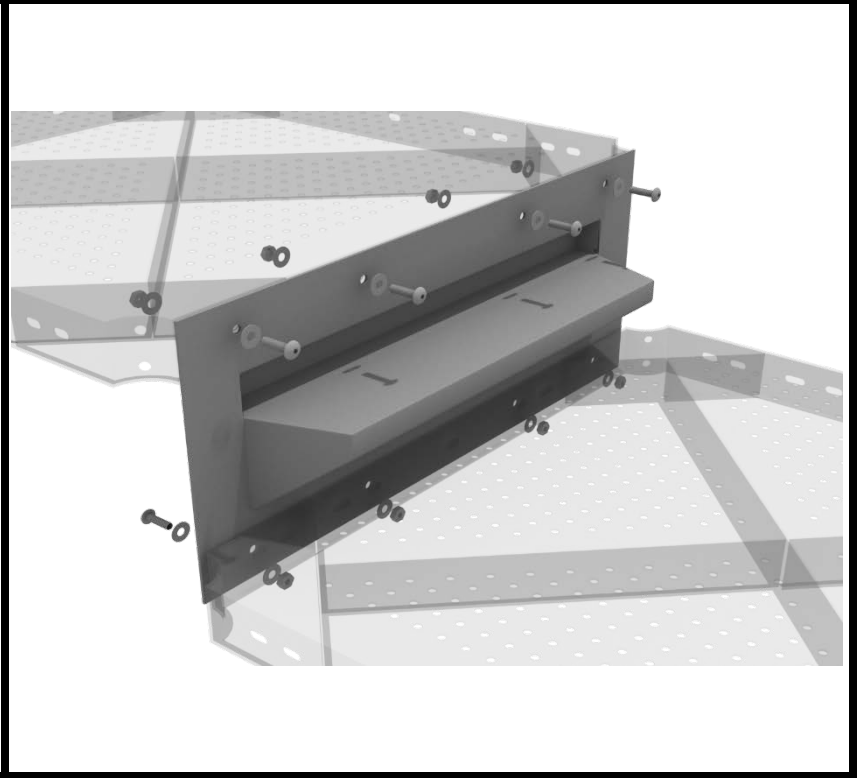
Deck clamps are pre-attached to the posts and should not be altered in any way.



# Kickplate Install

## STEP: 1

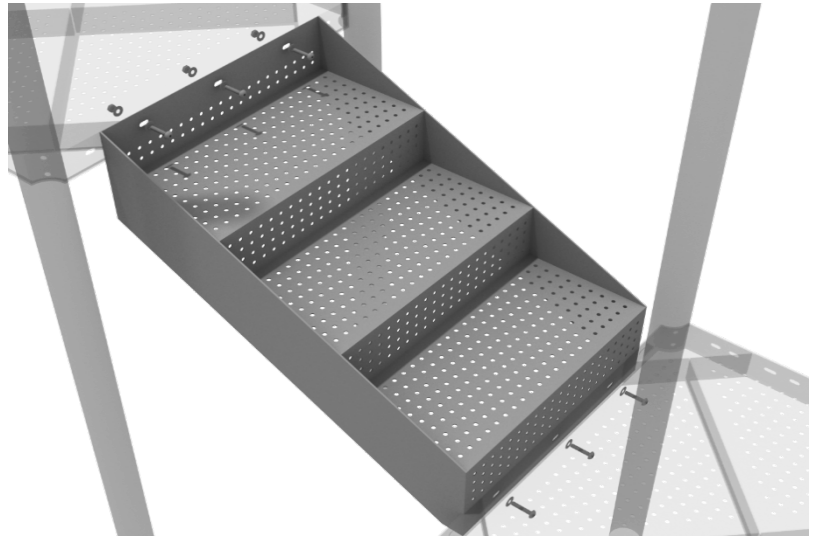
Using eight (8) M10\*25 bolts, sixteen (16) M10 washers, and eight (8) M10 lock nuts, attach the kickplate to the proper decks.



# 3.5-Inch 2-foot Middle Stair Installation

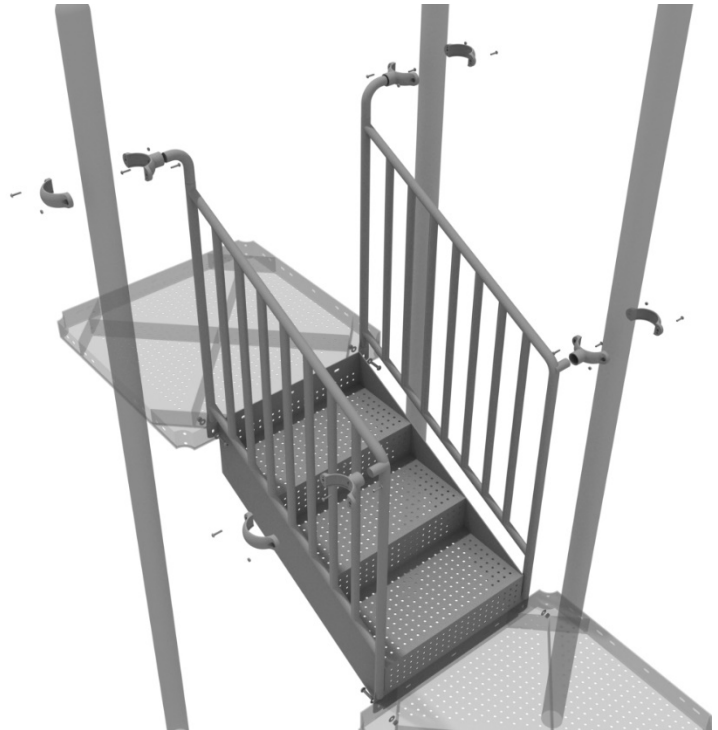
## STEP: 1

Using six (6) M10\*25 bolts, twelve (12) M10 washers, and six (6) M10 lock nuts, attach the 2-foot connection stair to the assigned decks.



## STEP: 2

Then, once the stair is in place, attach the 2-foot connection handrail to the posts using four (4) 3.5-inch tube clamps, and four (4) M8\*30 bolts. Then, attach the bottom of the handrails to the decks using one (1) M10\*25 bolt, two (2) M10 washers, and one (1) M10 lock nut for each attachment point.



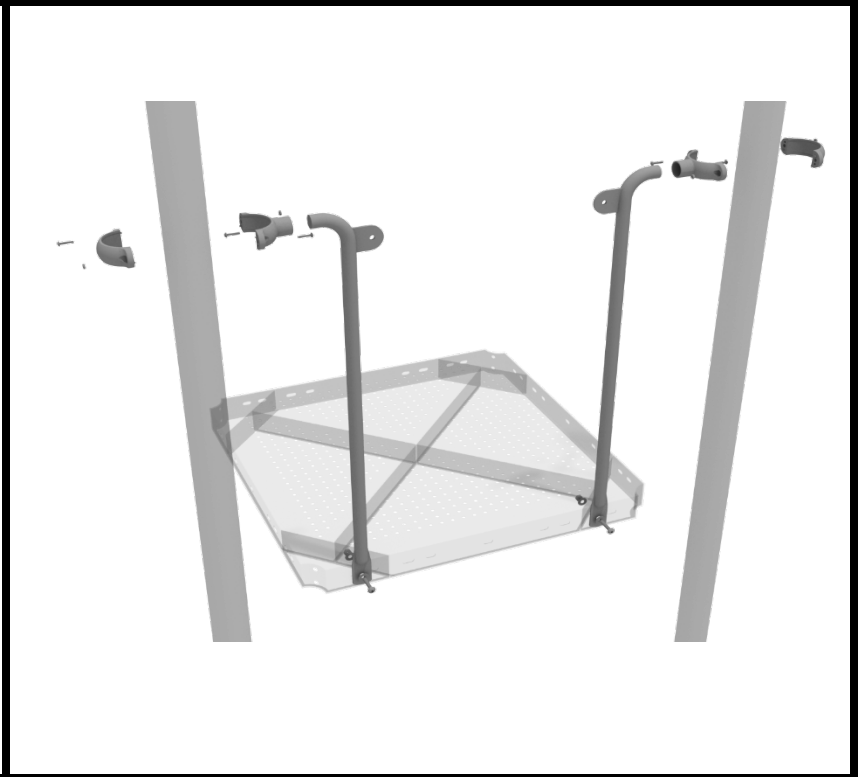
1 Playground Drive  
Greenfield, IN 46140  
1-800-667-0097

Created By: Derick H  
Date: 10/26/2020

# Bones Bridge Installation

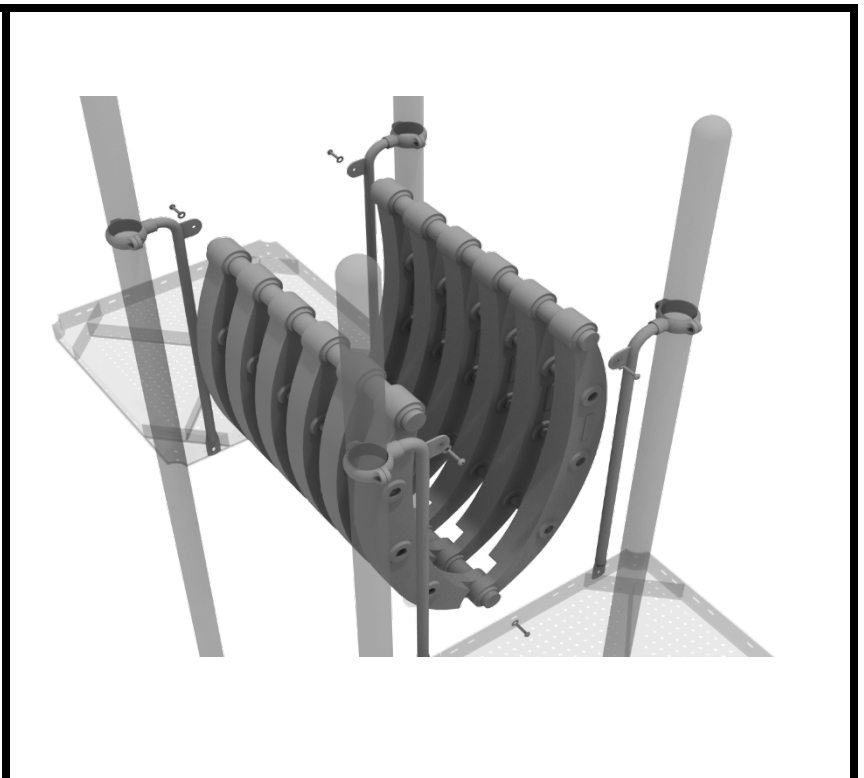
## STEP: 1

Attach each bones bridge rail to the proper deck slot using one (1) M10\*25 bolt, one (1) M10 washer, and (1) M10 lock nut. Then, attach the top of rails to each post using one (1) 3.5-inch tube clamp, and one M8\*30 bolt.



## STEP: 2

Once the rails are attached, detach and set aside the pre-attached hardware on the bottom of the bones bridge. Attach the bottom of the bones bridge to each deck using one (1) M10\*30 bolt, one (1) M10 spring gasket, and one (1) M10 washer. Then, attach the top of the bones bridge to each rail using one (1) M10\*30 bolt, one (1) M10 spring gasket, and one (1) M10 washer.



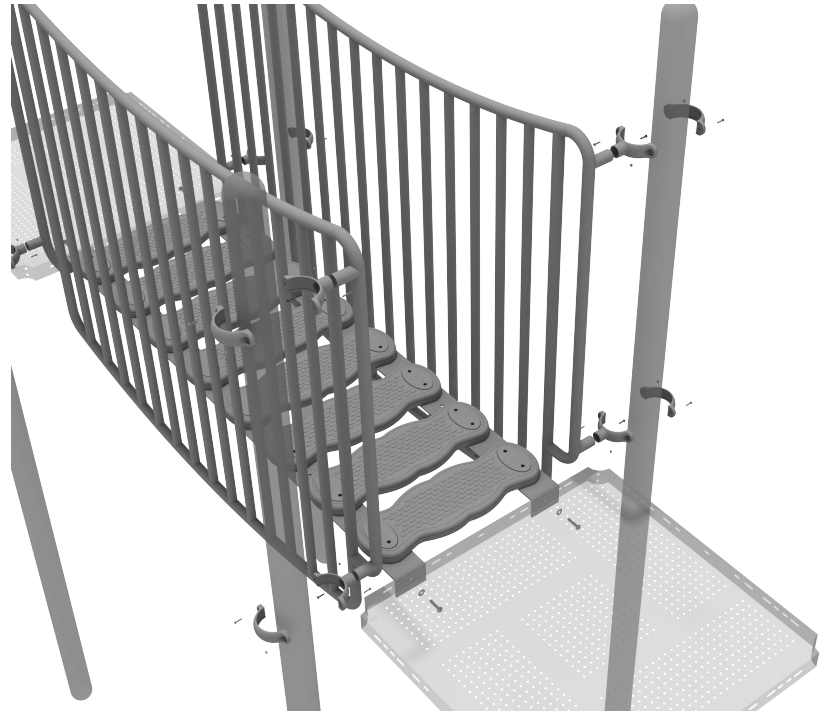
1 Playground Drive  
Greenfield, IN 46140  
1-800-667-0097

Created By: Aaron Price  
Date: 03/21/2018

# Suspended Bridge Installation

## STEP: 1

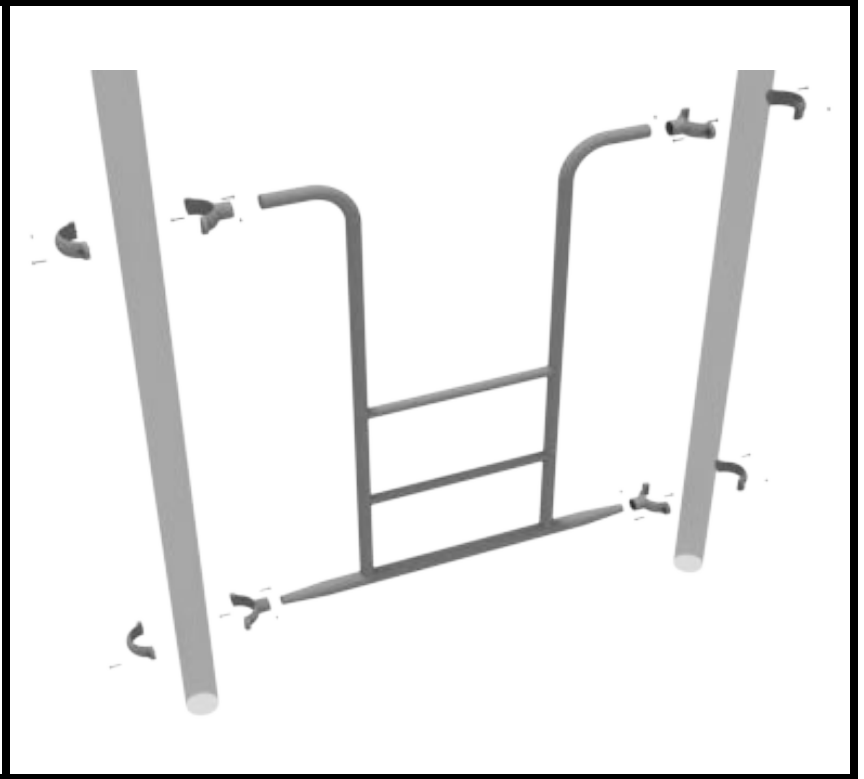
Attach each rail of the suspended bridge to the designated posts using two (2) tube clamp and two (2) M8\*30 Bolt. Then, attach the bottom of each side of the suspended bridge rail to the deck using two (2) M10\*25 Bolt, four (4) M10 Washers, and two (2) M10 Lock Nut.



## 3.5- Overhead Climber Access Ladder

### STEP: 1

Attach the Access Ladder to the designated posts by connecting half of the tube clamp to the arch rail using one (1) M8\*30 bolt. Repeat this process for each post attachment point. Then, using the other half of the tube clamp and the hardware provided in the clamp hardware bag, attach the backside of the tube clamp around the post.



# Manhole Climber Install

## STEP: 1

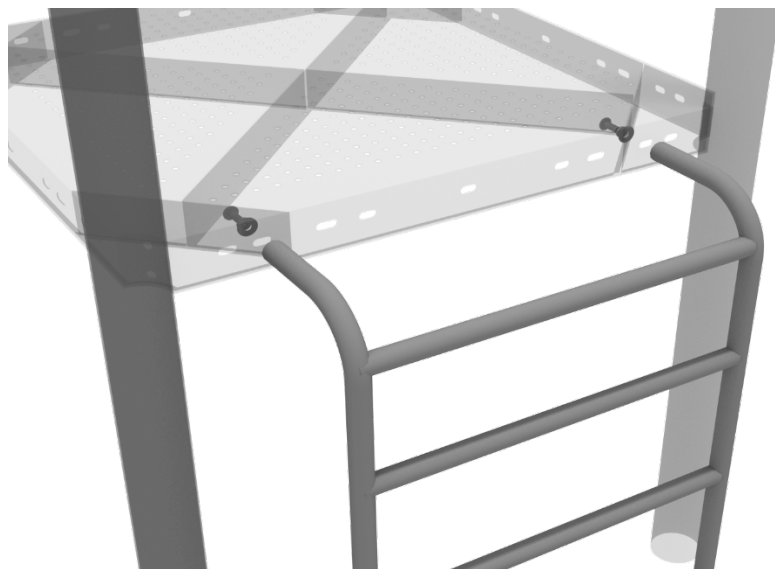
See general installation guide regarding footing information for Climbers. Dig footings accordingly. Attach the climber to the arch rail brackets using two (2) two M10\*25 bolts, two (2) M10 washers, and two (2) M10 spring washers.



# 6-foot Vertical Ladder Installation

## STEP: 1

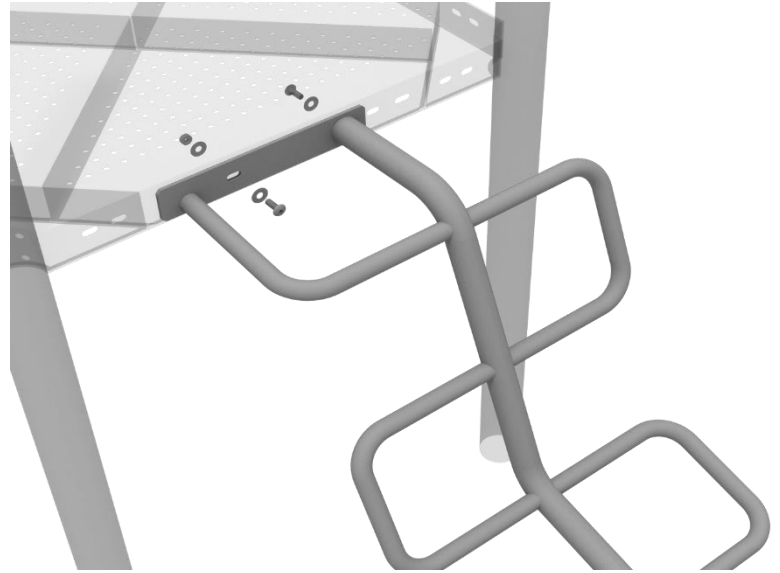
See general installation guide regarding footing information for the 6-foot Vertical Ladder. Attach the ladder to the deck using two (2) M10\*25 bolts, two (2) M10 spring washers, and two (2) M10 washers.



# Wavy Snake Climber Installation

## STEP: 1

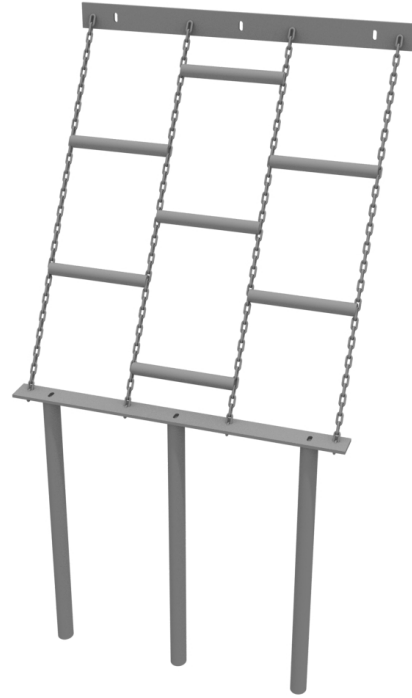
See general installation guide regarding footing information for the Wavy Snake climber. For the pre-threaded bolt slot, use one (1) M10\*25 bolt, and one (1) M10 washer. For the other bolt slot, use one (1) M10\*25 bolt, two (2) M10 washers, and one (1) M10 lock nut.



# Chain Climber Install

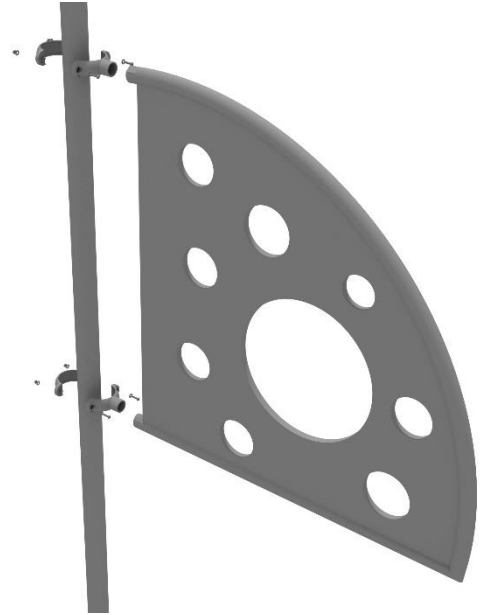
## STEP: 1

Attach the chain climber to the designated deck using four (4) M10\*25 bolts, eight (8) M10 washers and four (4) M10 lock nuts. Please refer to the footing section for climbers in the General Installation Instructions document.



## STEP: 1

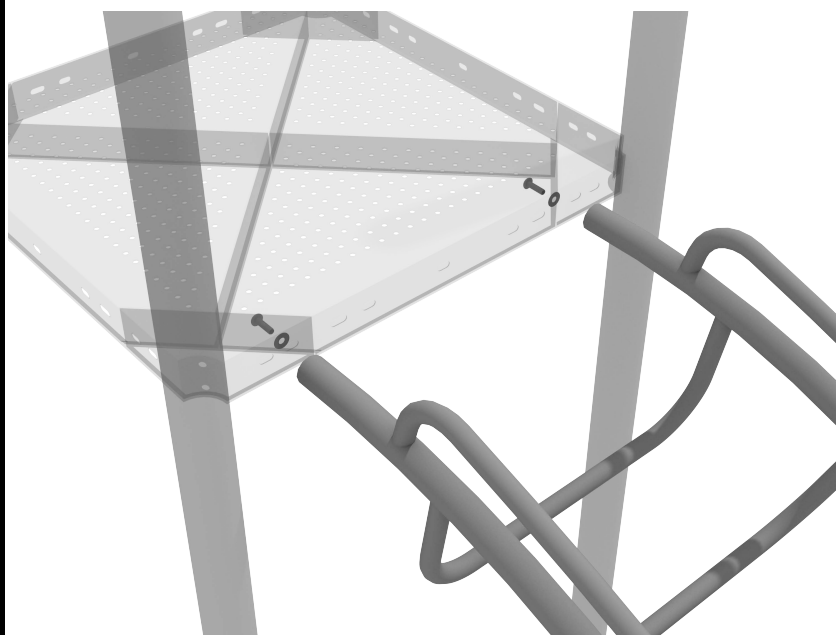
Connect the PE Climber Attachment to the appropriate posts via the supplied Tube Clamps. Please refer to the Clamps Install section for more detailed information.



# Inverted Arch Ladder Installation

## STEP: 1

The Inverted Arch Ladder is internally threaded on one end, use two (2) M10\*25 bolts, and two (2) M10 washers to affix to the deck. See general installation guide regarding footing information for climbers.



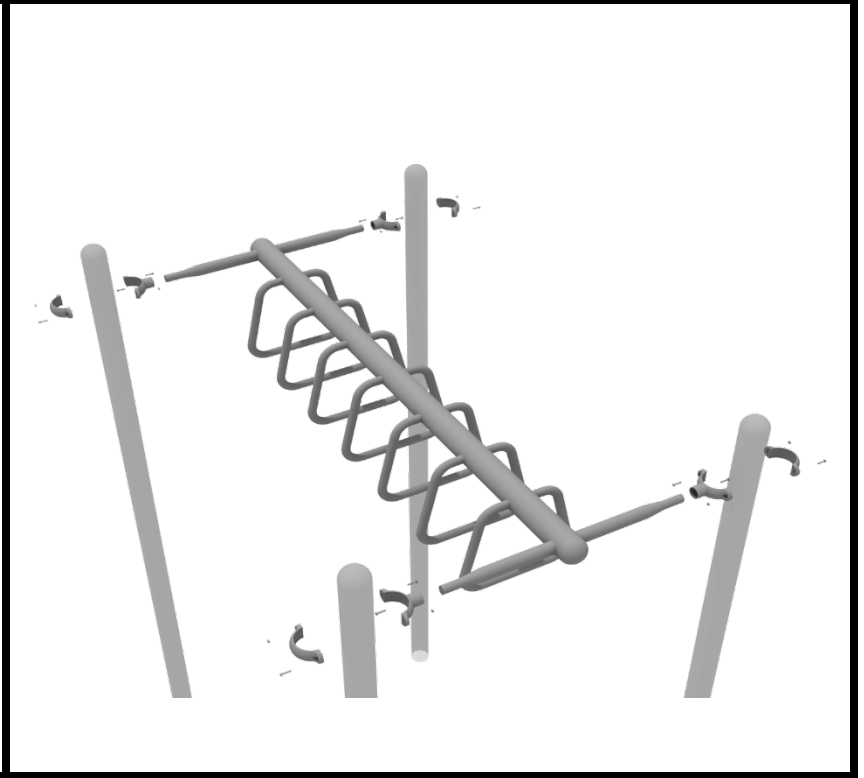
1 Playground Drive  
Greenfield, IN 46140  
1-800-667-0097

Created By: Aaron Price  
Date: 04/19/2018

# Overhead Straight Trapezoid Installation

## STEP: 1

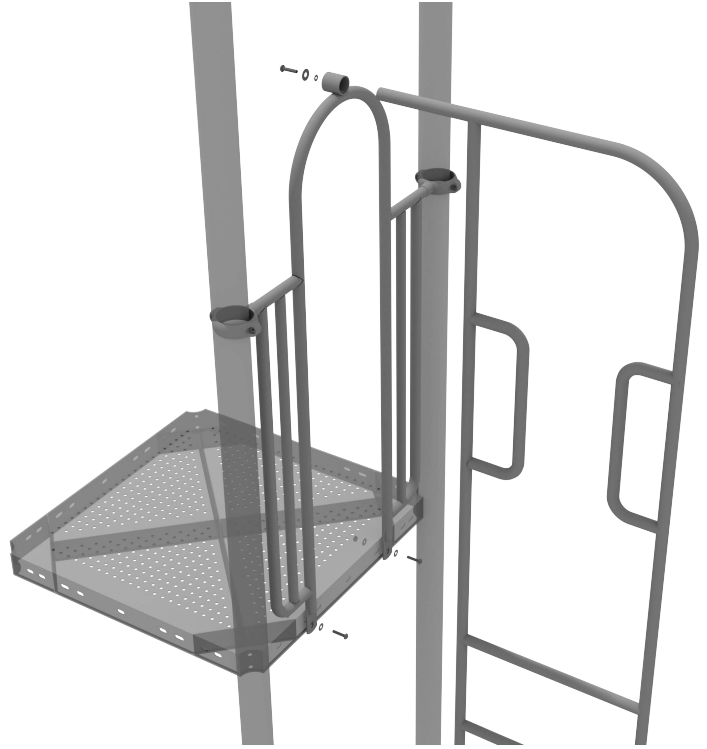
Attach the Overhead Straight Trapezoid Ladder to the designated posts by connect half of the tube clamp to the ladder using one (1) M8\*30 bolt. Repeat this process for each attachment point. Set the ladder into place, then attach the second half of the clamp around the post.



# Perpendicular Ladder Installation

## STEP: 1

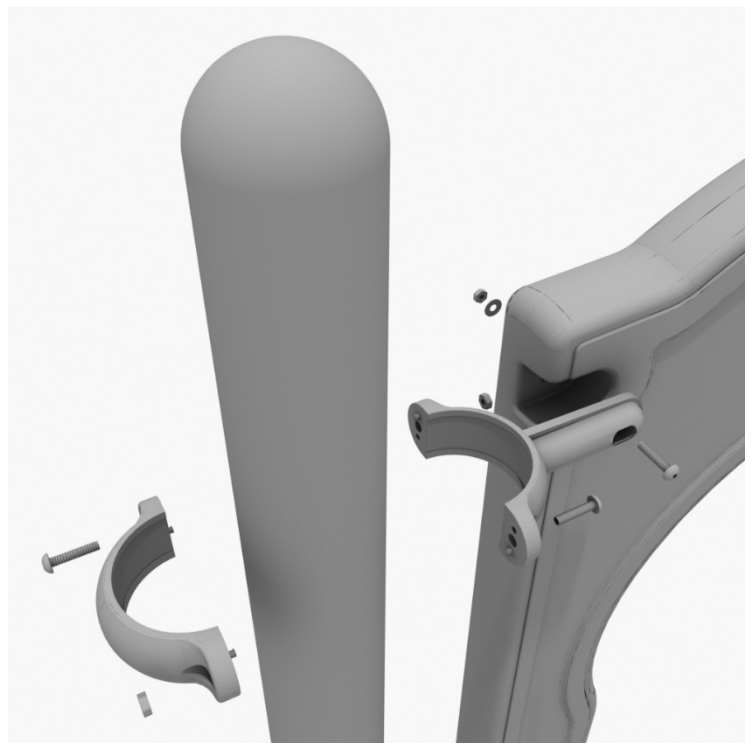
See general installation guide regarding footing information for the snake climber. Attach the top of the ladder to the designated arch rail top bracket using one (1) M10\*20 bolt, one (1) M10 spring washer, and one (1) M10 washer.



# 4-foot Right Turn Slide Installation

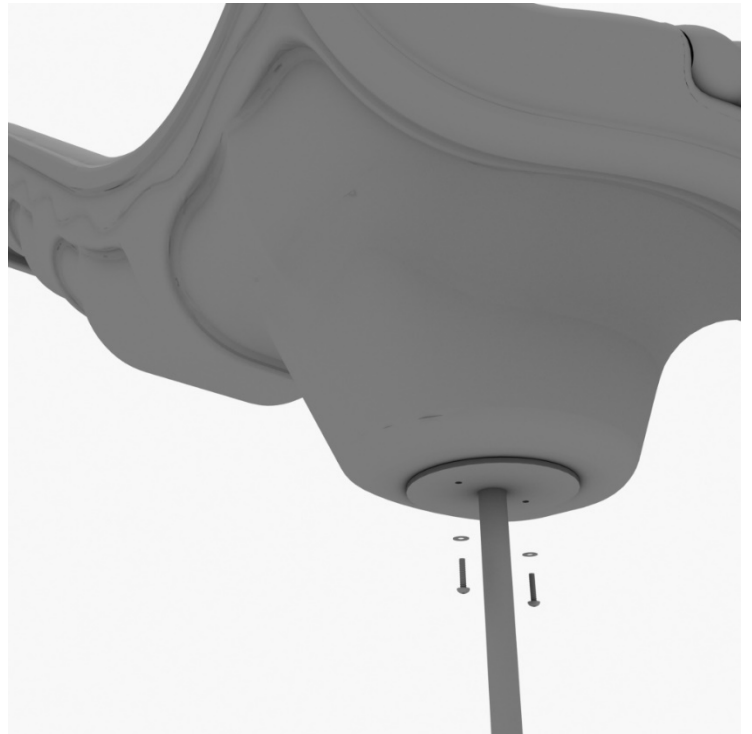
## STEP: 1

Take one (1) 3.5-inch flat clamp, and loosely attach it around a post using the bolts and nuts provided in the clamp hardware bag. Repeat this process on the other post. Then, use one (1) M8\*40 bolt, one (1) M8 washer, and one (1) M8 lock nut to attach each side of the slide hood to each clamp. Leave bolts loose until slide is in place.



## STEP: 2

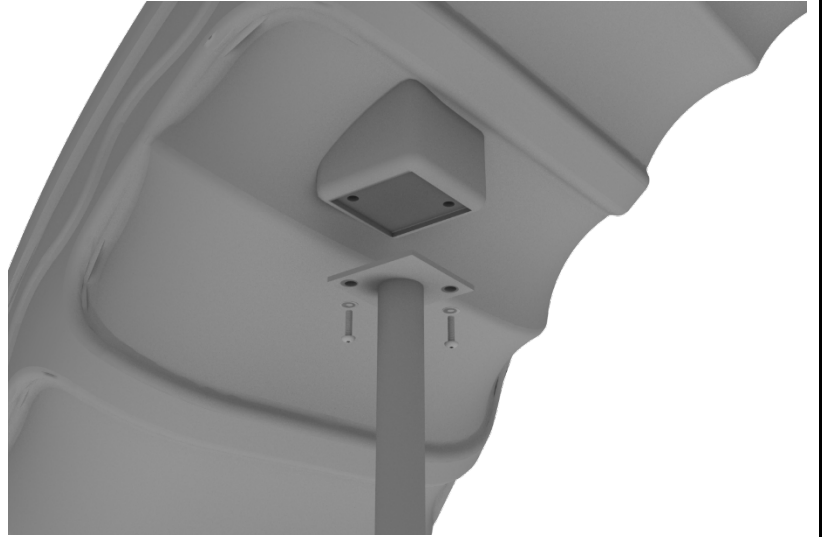
See general installation guide regarding footing information for the slide end mount. Using two (2) M8\*20, two (M8) spring washers. And two (2) M8 washers, attach the slide to the slide support post.



# 4-foot Right Turn Slide Installation

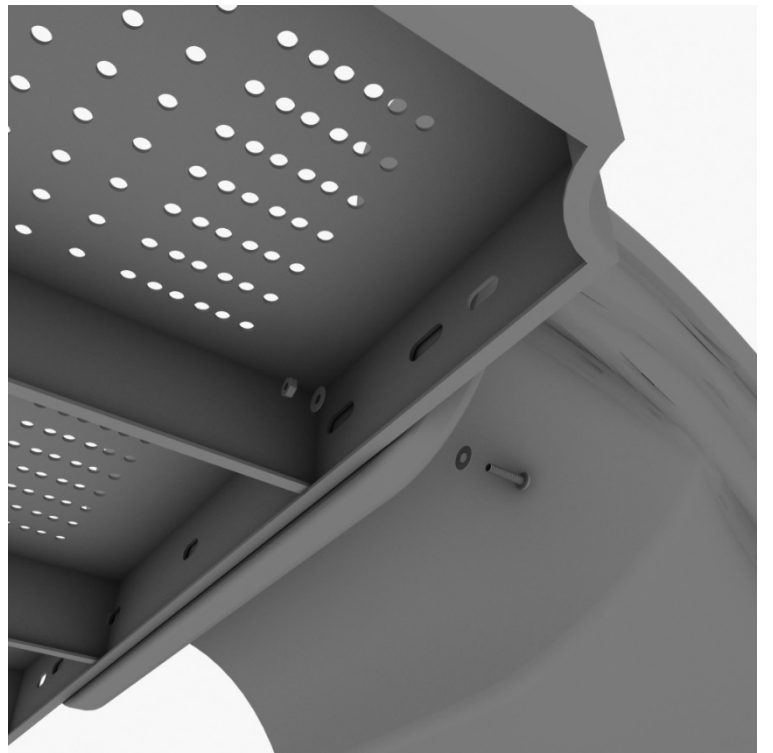
## STEP: 3

See general installation guide regarding footing information for the middle slide support. Using two (2) M8\*20 bolts, two (2) M8 spring washers, and two (2) M8 washers, attach the middle slide support post.



## STEP: 4

Using one (1) M10\*45 bolt, two (2) M10 washers, and two (2) M10 lock nuts, attach one side of the slide to the deck.



# 4-foot Right Turn Slide Installation

## STEP: 5

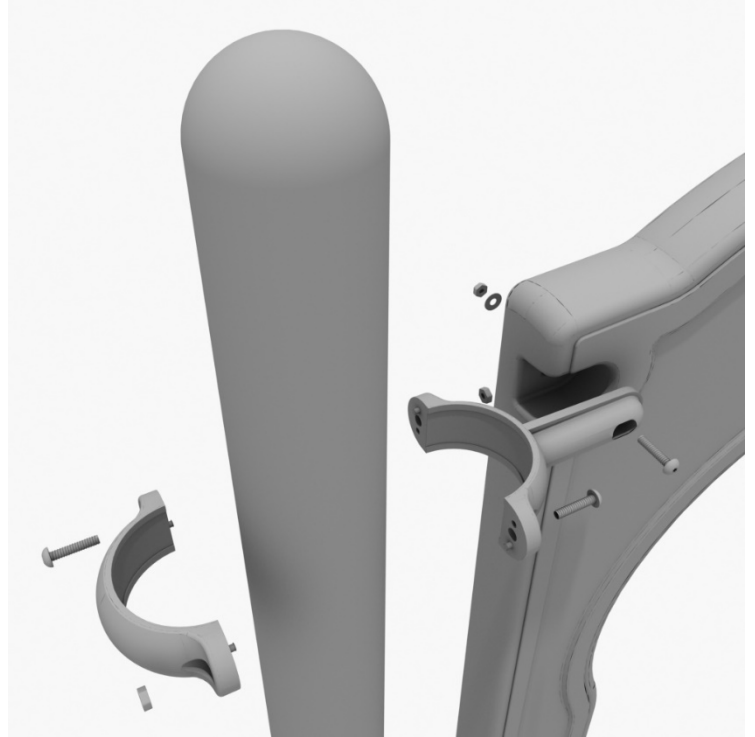
Using one (1) M8\*45 bolt, one (1) M8 washer, one (1) M12 washer, and one (1) M12 inner hex spiral nut, attach the slide to one side of the slide hood. Repeat this process for the other side of the slide.



# 4-foot Single Wave Slide Installation

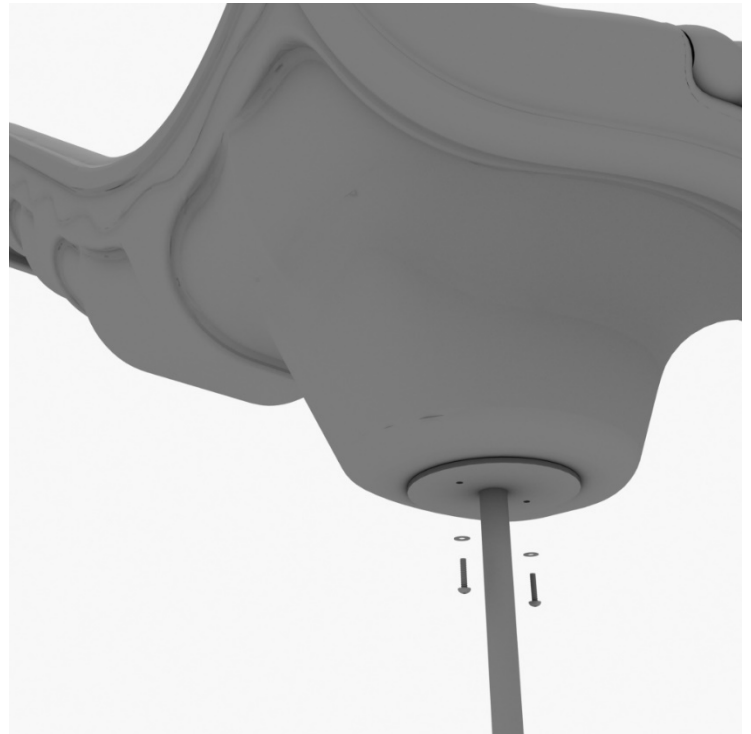
## STEP: 1

Take one (1) 3.5-inch flat clamp, and loosely attach it around a post using the bolts and nuts provided in the clamp hardware bag. Repeat this process on the other post. Then, use one (1) M8\*40 bolt, one (1) M8 washer, and one (1) M8 lock nut to attach each side of the slide hood to each clamp. Leave bolts loose until slide is in place.



## STEP: 2

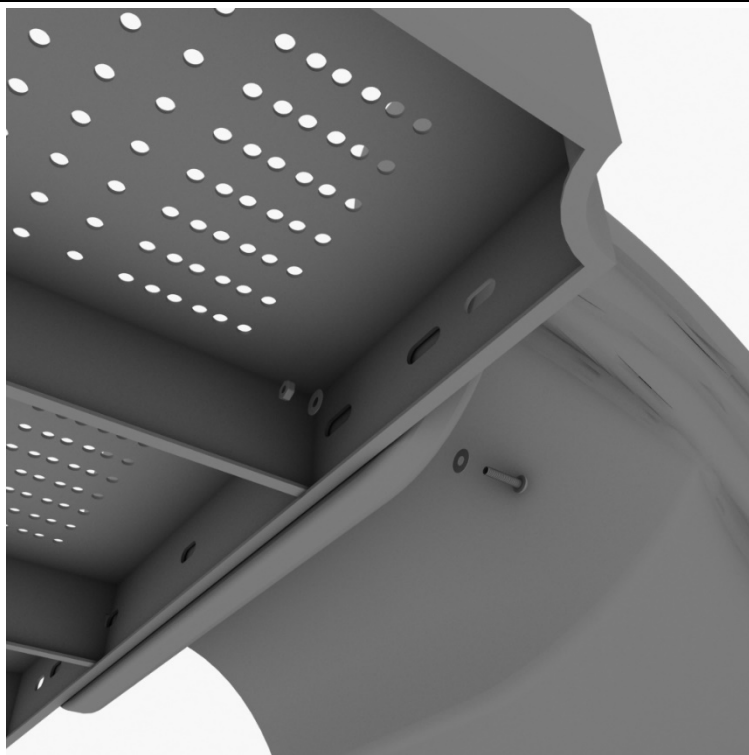
See general installation guide regarding footing information for the slide end mount. Using two (2) M8\*20, two (M8) spring gaskets. And two (2) M8 washers, attach the slide to the slide support post.



# 4-foot Single Wave Slide Installation

## STEP: 3

Using one (1) M10\*45 bolt, two (2) M10 washers, and two (2) M10 lock nuts, attach one side of the slide to the deck.



## STEP: 4

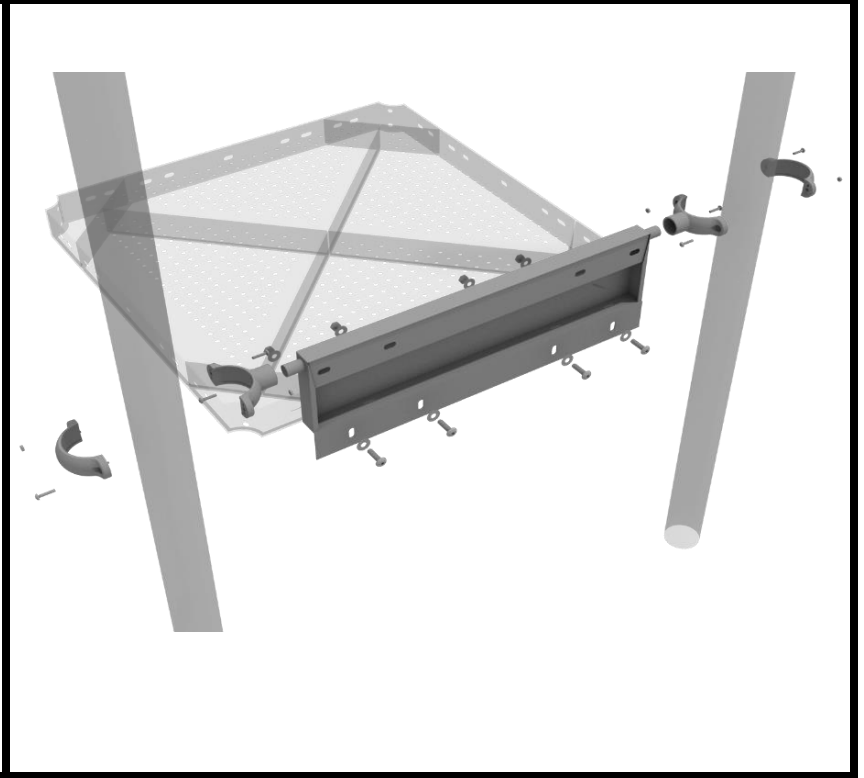
Using one (1) M8\*45 bolt, one (1) M8 washer, one (1) M12 washer, and one (1) M12 inner hex spiral nut, attach the slide to one side of the slide hood. Repeat this process for the other side of the slide.



# Spiral Slide Installation

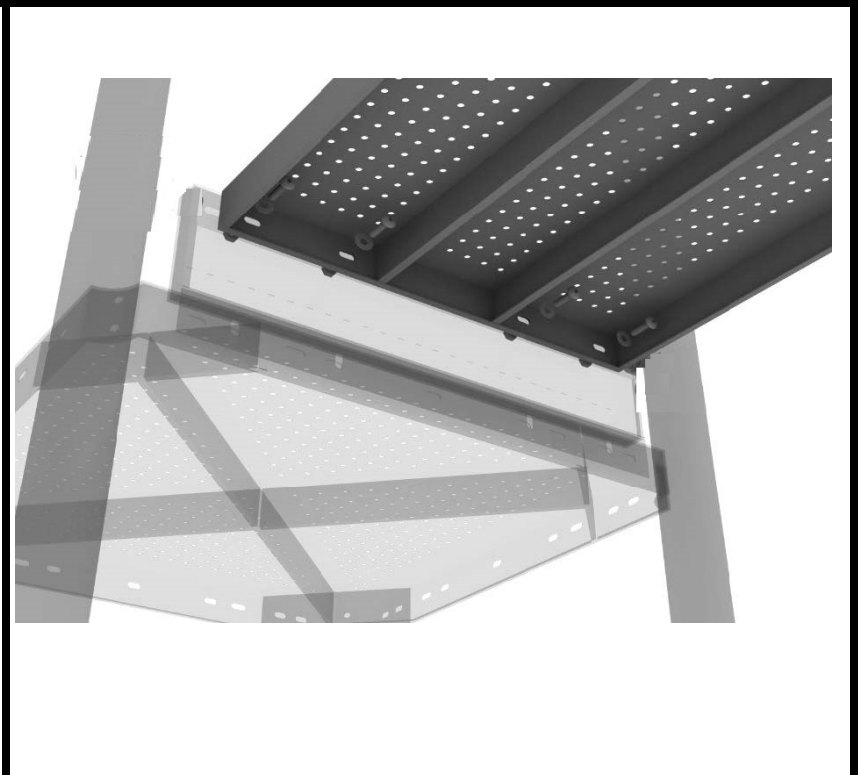
## STEP: 1

Attach the spiral slide kick plate to the proper square deck using four (4) M10\*25 bolts, eight (8) M10 washers, four (4) M10 lock nuts.



## STEP: 2

Attach the spiral slide deck to the top of the spiral slide kick plate using four (4) M10\*25 bolts, eight (8) M10 washers, and four (4) M10 lock nuts.



1 Playground Drive  
Greenfield, IN 46140  
1-800-667-0097

Created By: Derick H  
Date: 01/05/2020

# Spiral Slide Installation

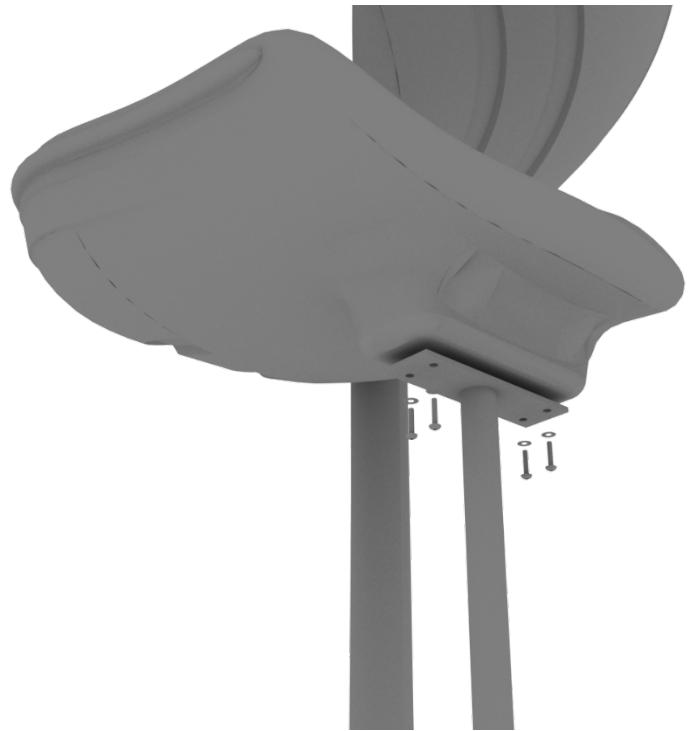
## STEP: 3

Attach the Spiral Slide Deck Support Post to the Spiral Slide Deck using two (2) M10\*25 Bolts, four (4) M10 Washers, and two (2) M10 Lock Nuts.



## STEP: 4

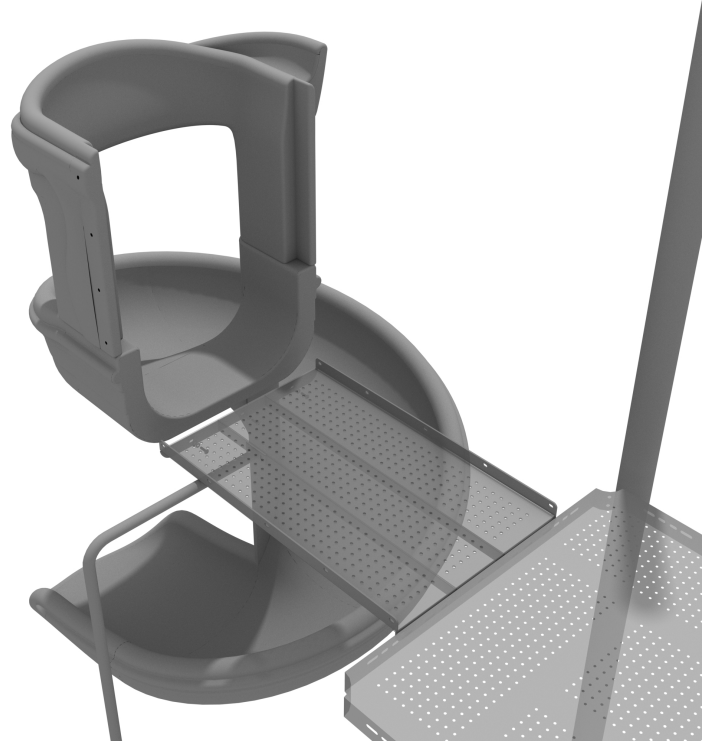
Connect the Spiral Slide Mount to the bottom of the Spiral Slide using four (4) M10\*20 Bolts, four (4) M10 Spring Gaskets, and four (4) M10 Washers. Refer to the General Installation Guide for information on slide footings.



# Spiral Slide Installation

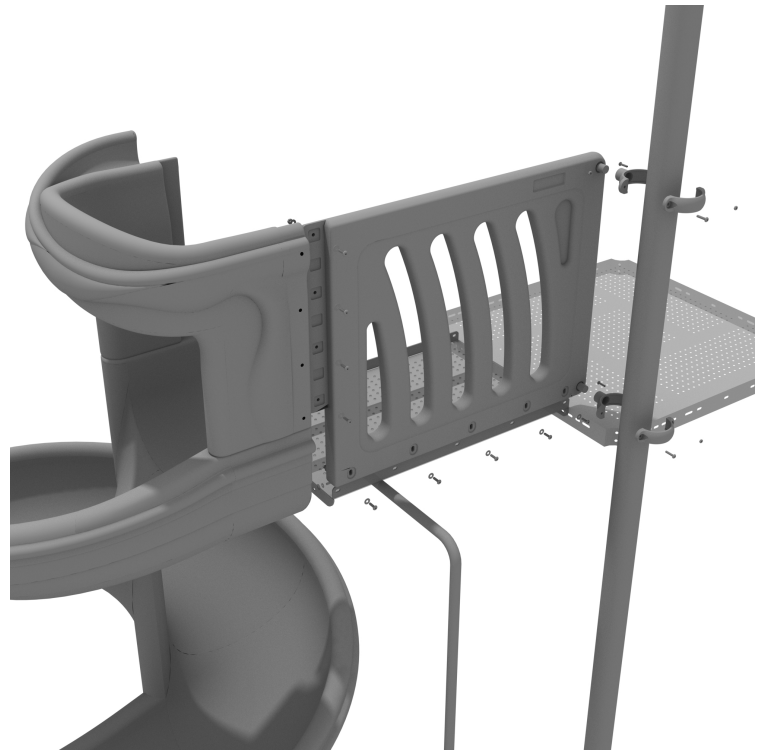
## STEP: 5

See general installation guide regarding footing information for slides and support posts. Connect the Spiral Slide to the Spiral Slide Deck using three (3) M10\*20 Bolts, three (3) M10 Spring Gaskets, and three (3) M10 Washers.



## STEP: 6

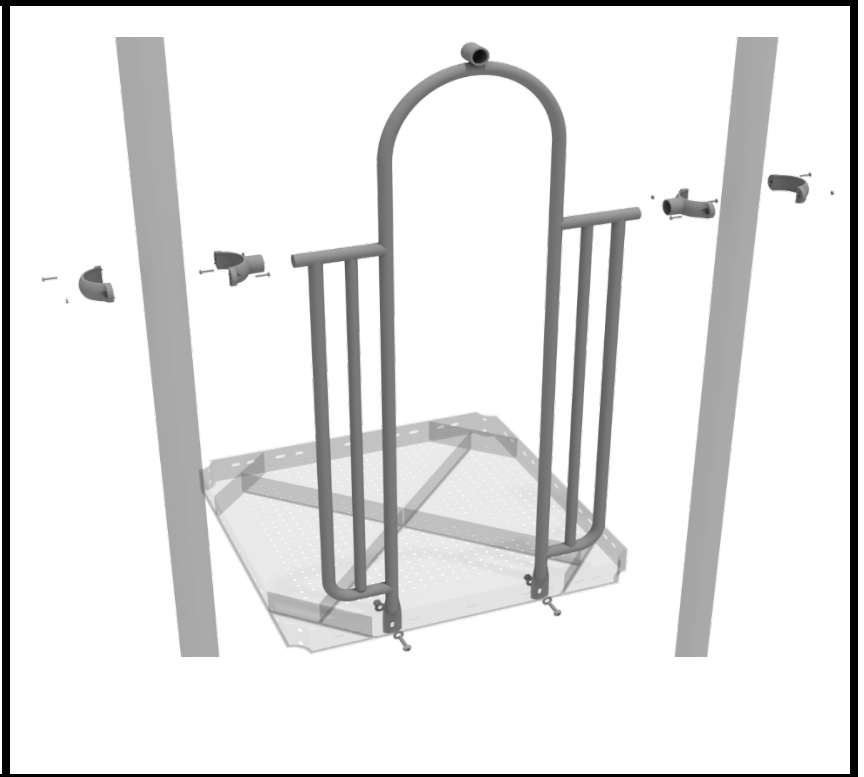
Attach the Spiral Slide Handrail to the Spiral Slide Deck using five (5) M8\*60 Bolts, five (5) M8 Washers, five (5) M12 Washers, and five (5) M12 Inner Hex Nuts. Connect spiral slide panels to slide using four (4) M10\*50 bolts, four (4) M10 washers, four (4) M10 lock nuts for each panel. Connect the handrails to the posts using two (2) tube clamps. Repeat this process for the other handrail.



# 3.5-inch 2-Clamp Arch Rail Installation

## STEP: 1

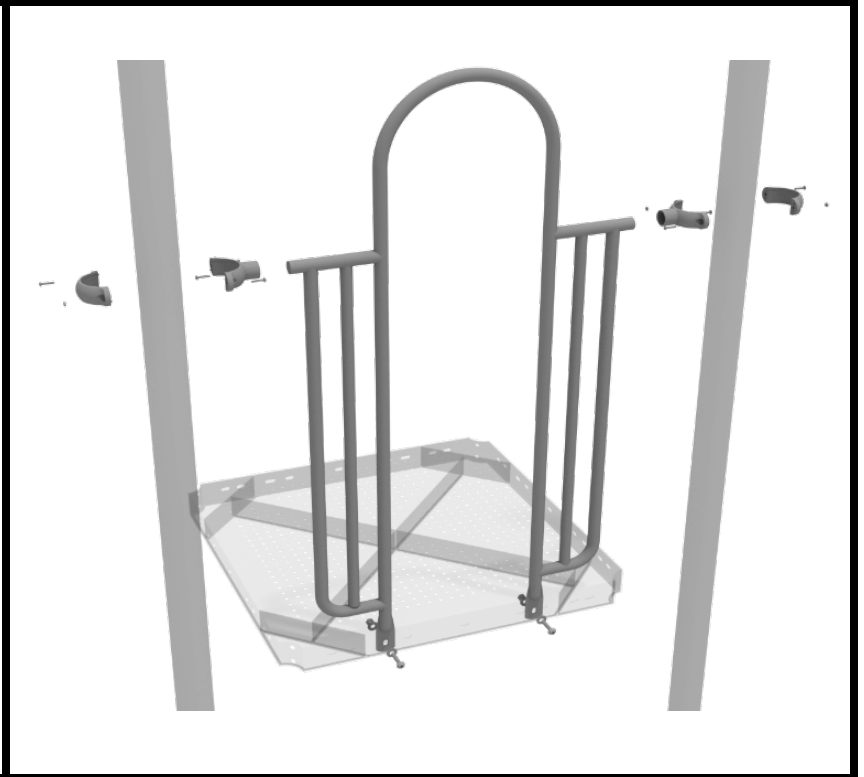
Attach the Arch Rail to the designated posts by connect half of the tube clamp to the arch rail using one (1) M8\*30 bolt. Repeat this process for each post attachment point. Then, attach the rail to the deck using two (2) M10\*25 bolts, four (4) M10 washers, and two (2) M10 lock nuts. Finally, attach the second half of the clamp around the post.



# 3.5-inch 2-Clamp Arch Rail Installation

## STEP: 1

Attach the Arch Rail to the designated posts by connect half of the tube clamp to the arch rail using one (1) M8\*30 bolt. Repeat this process for each post attachment point. Then, attach the rail to the deck using two (2) M10\*25 bolts, four (4) M10 washers, and two (2) M10 lock nuts. Finally, attach the second half of the clamp around the post.

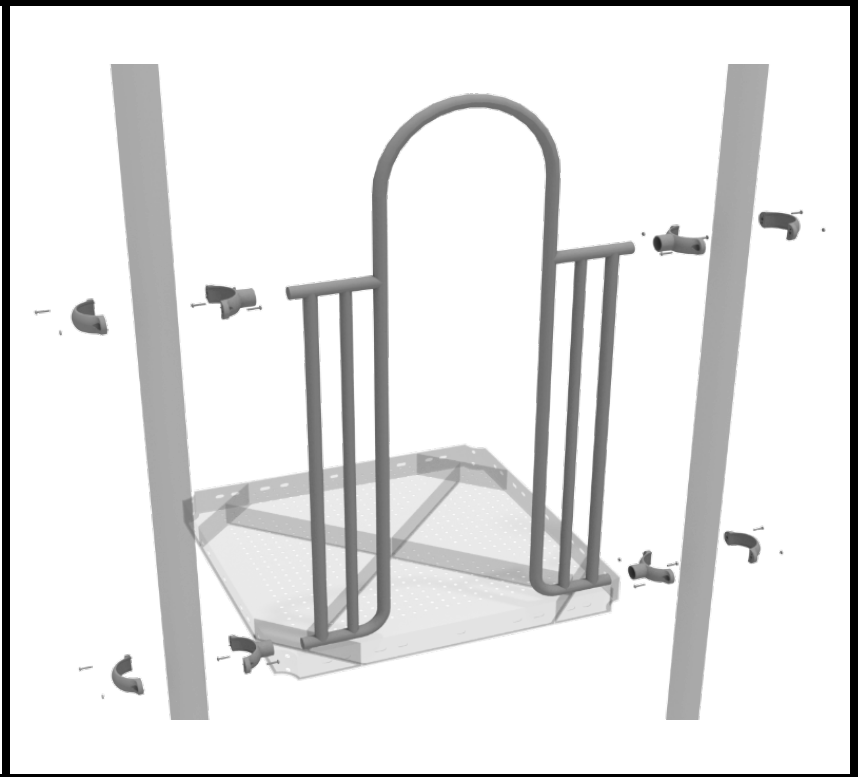


# 3.5-inch 4-Clamp Arch Rail Installation

## STEP: 1

Attach the Arch Rail to the designated posts by connect half of the tube clamp to the arch rail using one (1) M8\*30 bolt. Repeat this process for each attachment point.

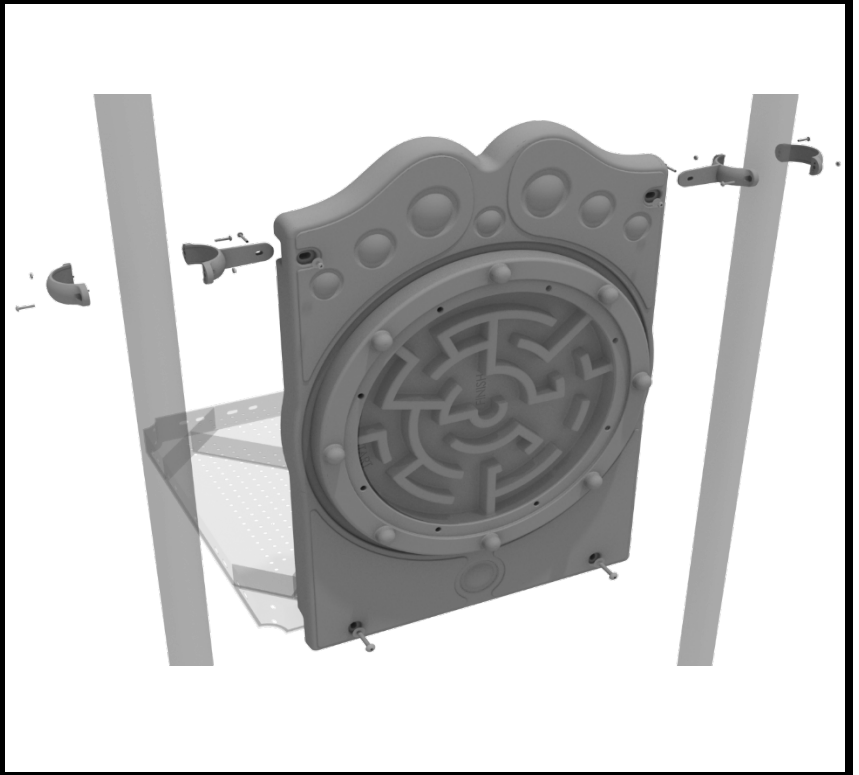
Set the arch rail into place, then attach the second half of the clamp around the post. The gap between the deck and the bottom of the rail should be no more than 3 inches.



# 3.5-inch Ball Maze Panel Installation

## STEP: 1

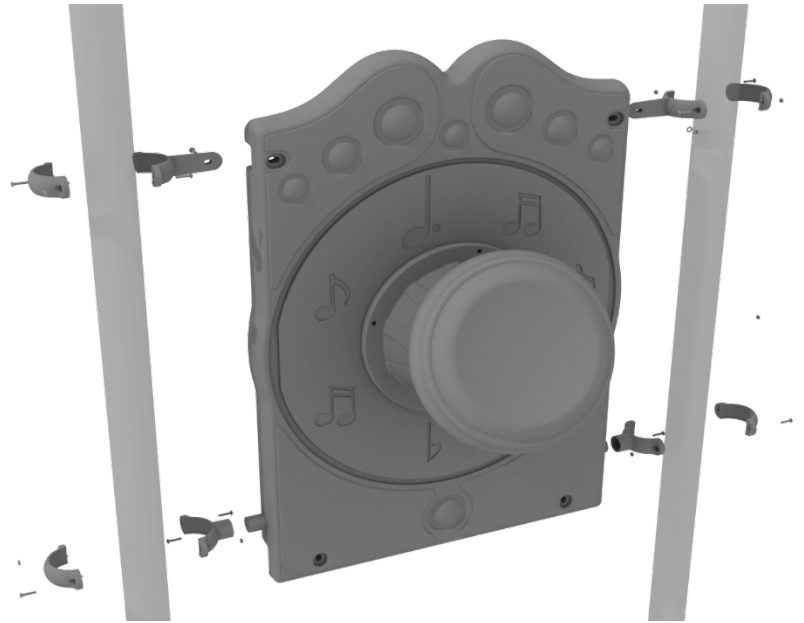
Connect the bottom of the panel to the deck using two (2) M10\*50 bolts, four (4) M10 washers, and two (2) M10 lock nuts. Then attach the top of the panel to the posts using two (2) flat clamps.



# 3.5-inch Drum Panel Installation

## STEP: 1

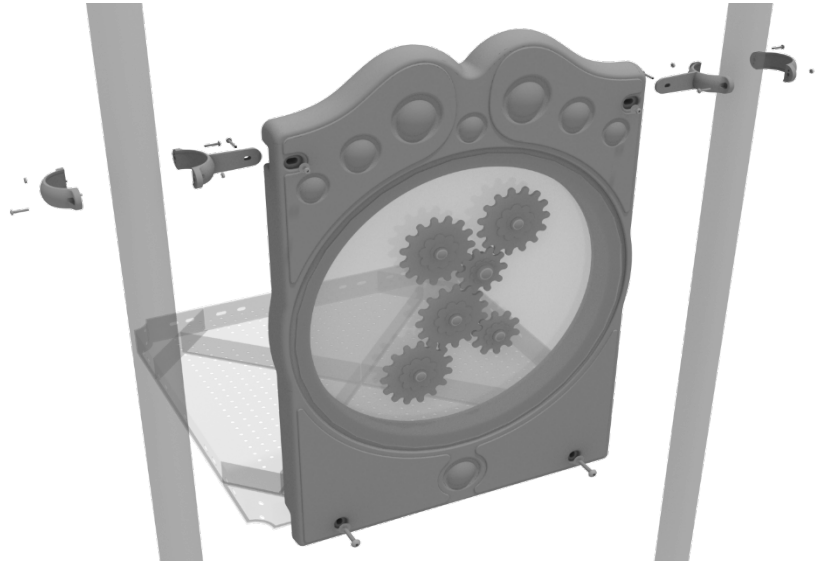
Attach the Drum Panel to the designated posts using two (2) flat clamps for the top of the panel, and two (2) tube clamps for the bottom of the panel.



## 3.5-inch Gear Panel Installation

### STEP: 1

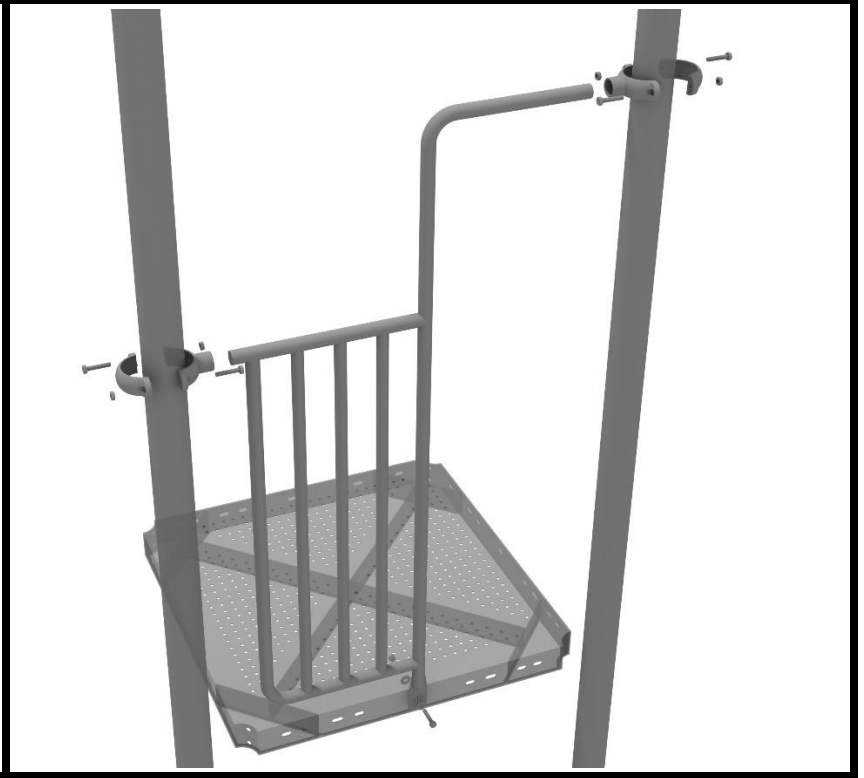
Connect the bottom of the panel to the deck using two (2) M10\*50 bolts, four (4) M10 washers, and two (2) M10 lock nuts. Then attach the top of the panel to the posts using two (2) flat clamps.



# 3.5" Side Entrance Rail Panel Installation

## STEP: 1

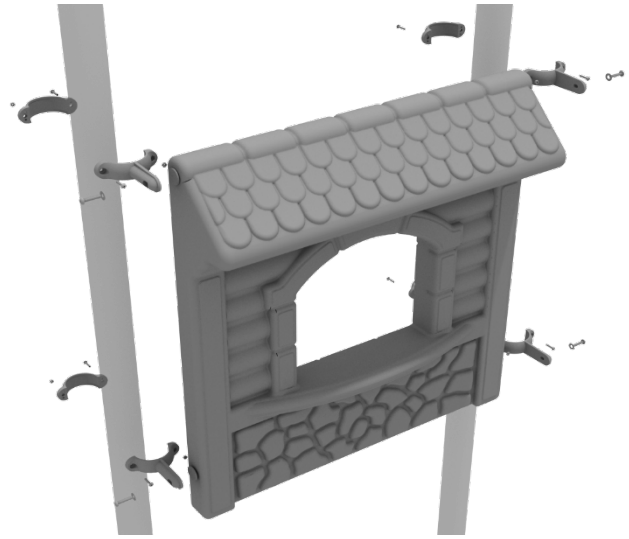
Attach the Arch Rail to the designated posts by connecting half of the tube clamp to the Side Entrance Panel using one (1) M8\*30 bolt. Repeat this process for each post attachment point. Then, attach the rail to the deck using one (1) M10\*25 bolt, two (2) M10 washers, and one (1) M10 lock nut. Finally, attach the second half of the clamp around the post.



# 3.5-inch Store Panel Installation

## STEP: 1

Attach the Store Panel to the designated posts using four (4) 3.5-inch flat clamps, and four (4) M8\*25 bolts.

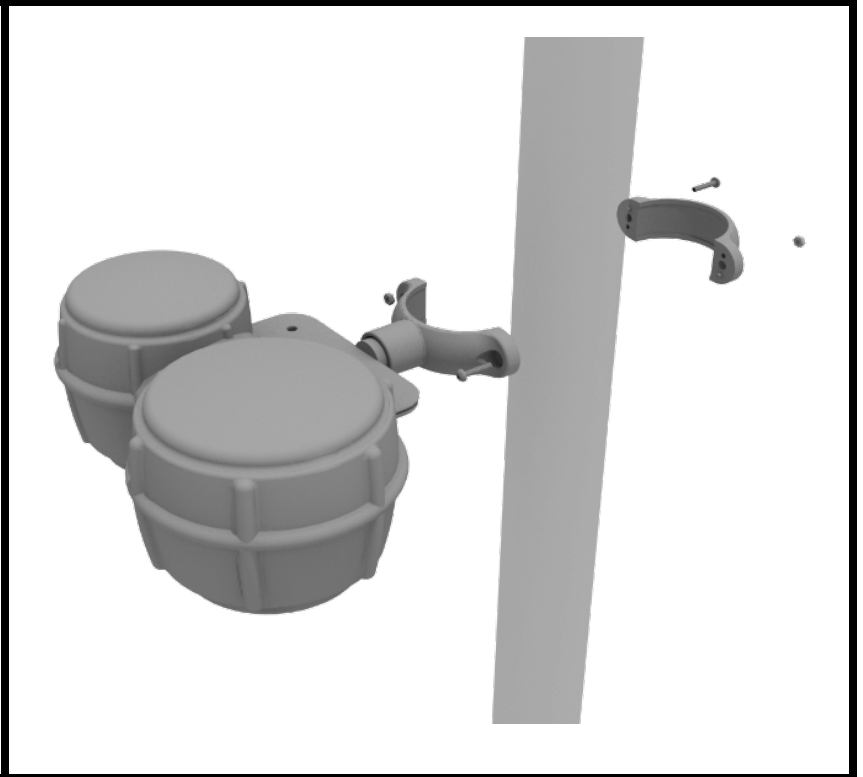


# Bongos Installation

Detach half of the tube clamp connected to the Bongos, and re-attach the clamp around the support post, as shown in the image. Recommended install height is 20 to 36 inches above surfacing depending on age range.

*We recommend using Thread-locking fluid on bolts connecting Bongos to clamp to prevent hardware from loosening over time.*

(Thread-locker not supplied)

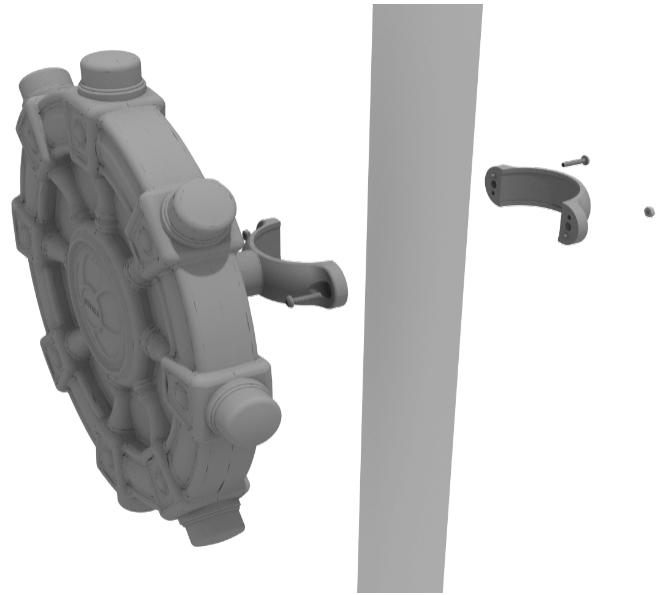


# Ships Wheel Installation

Detach half of the tube clamp connected to the Ships Wheel, and re-attach the clamp around the support post, as shown in the picture. Recommended install height is 20 to 36 inches above surfacing depending on age range.

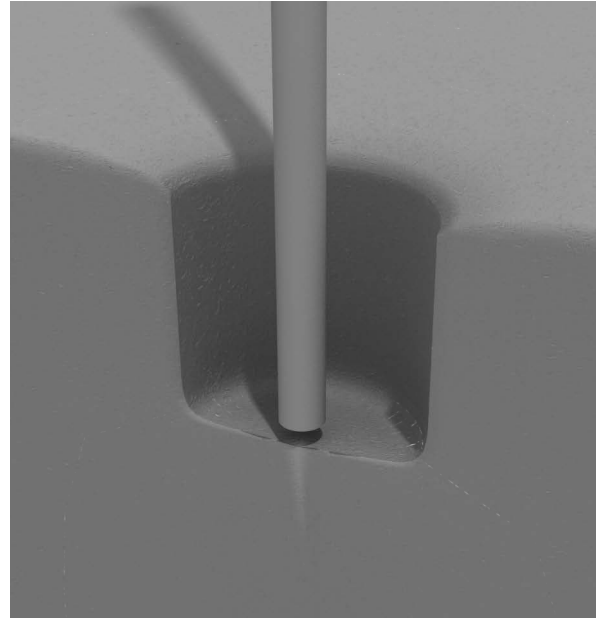
*We recommend using Thread-locking fluid on bolts connecting Ship's wheel to clamp to prevent hardware from loosening over time.*

(Thread-locker not supplied)



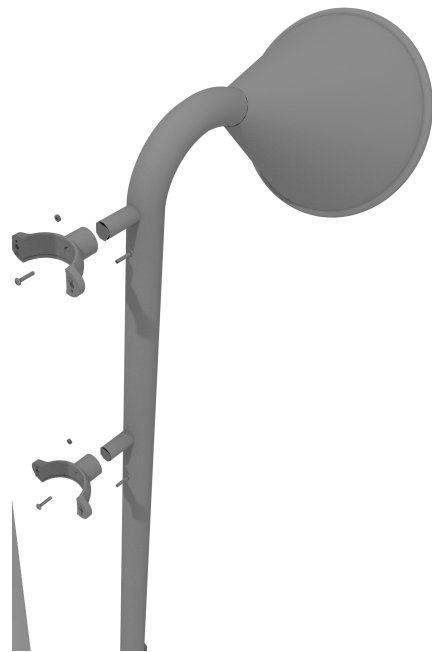
## STEP 1

Dig proper holes for the 3.5-inch support posts, and cement them into the ground. Refer to the General Information Guide footing information.



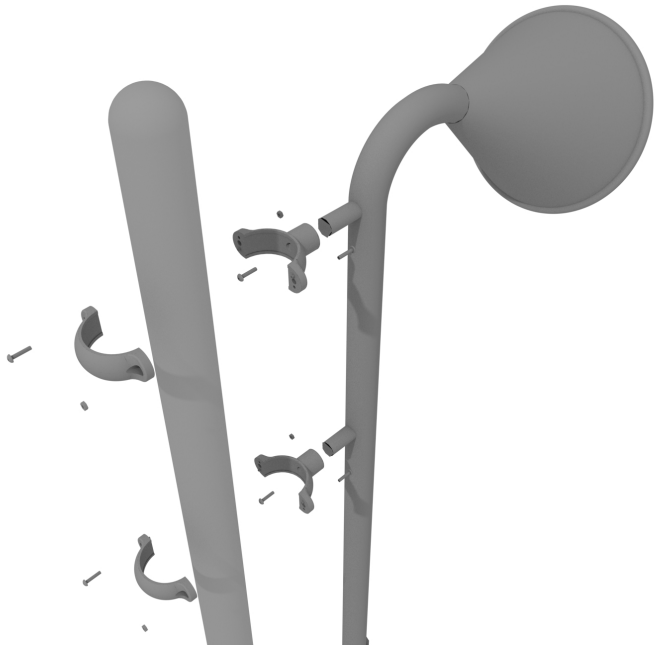
## STEP 2

Attach the first half of the 3.5-inch tube clamp to the talk tube post by sliding the end of the clamp over the nob extending from the talk tube post.



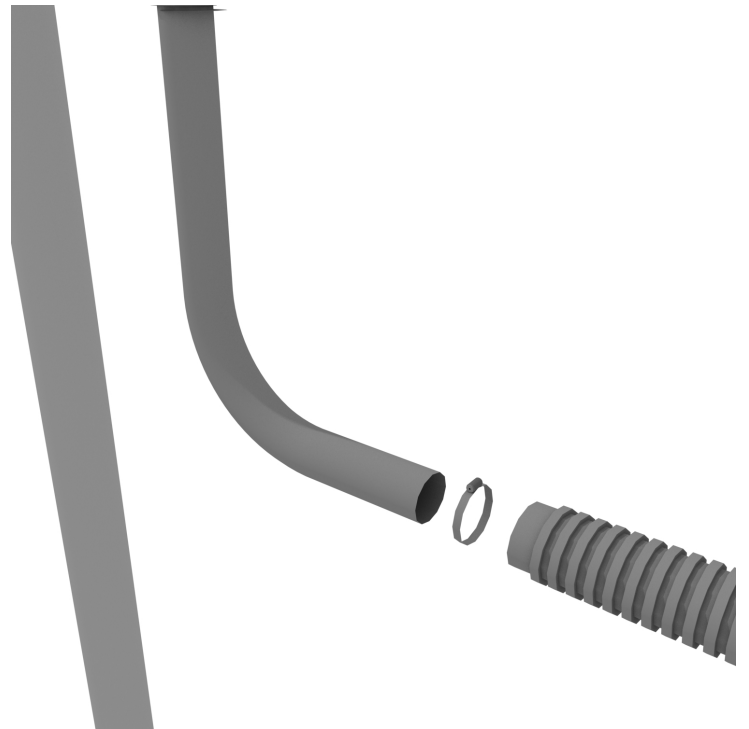
### STEP 3

Loosely attach a talk tube post to each support post using the tube clamp and the bolts and nuts provided in the clamp hardware bag.



### STEP 4

Connect the corrugated tubing to the end of one talk tube post using the provided hose clamp. Repeat this process for the other talk tube post. The corrugated tube should be laid out as straight as possible to ensure best sound quality.



## STEP 5

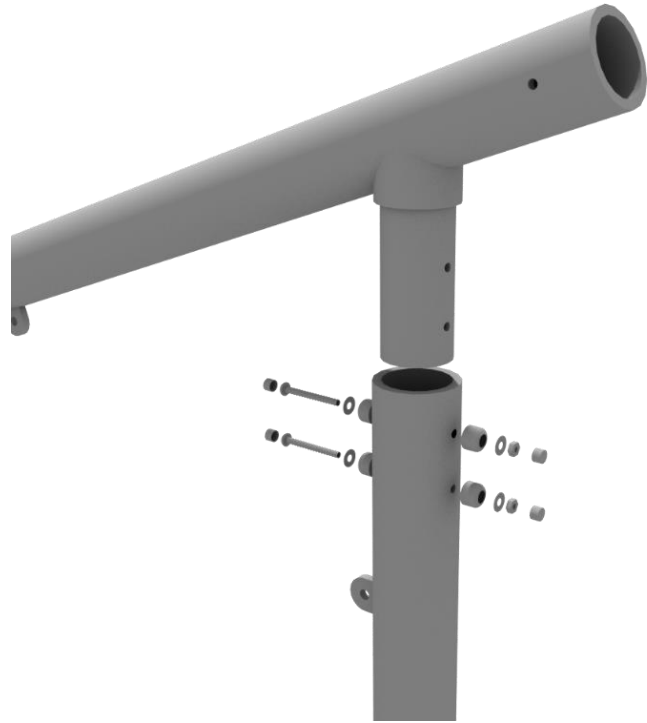
After the tubing is laid out and attached, finish tightening all bolts on each tube clamp.



# Square Shade Install

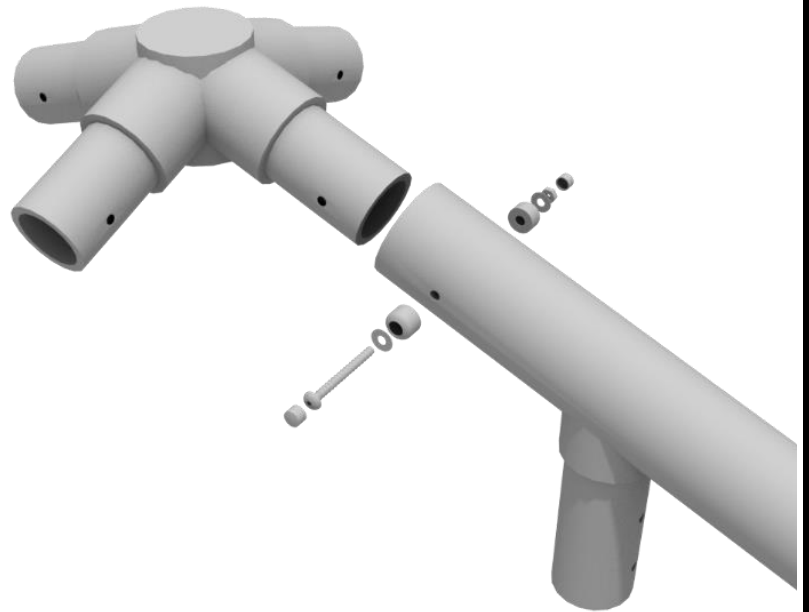
## STEP: 1

Using two (2) M10x120 bolt, two (2) M10 lock nuts, four (4) M10 washers, and two (2) bolt covers, attach one shade arm to one center shade post. Repeat this process for the remaining shade arms.



## STEP: 2

Then, attach the shade arm center hub to the four (4) shade arms using four (4) M10x90 bolts, four (4) M10 lock nuts, eight (8) M10 washers, and four (4) bolt covers. Once the hub is fitted correctly, cement the posts into place.



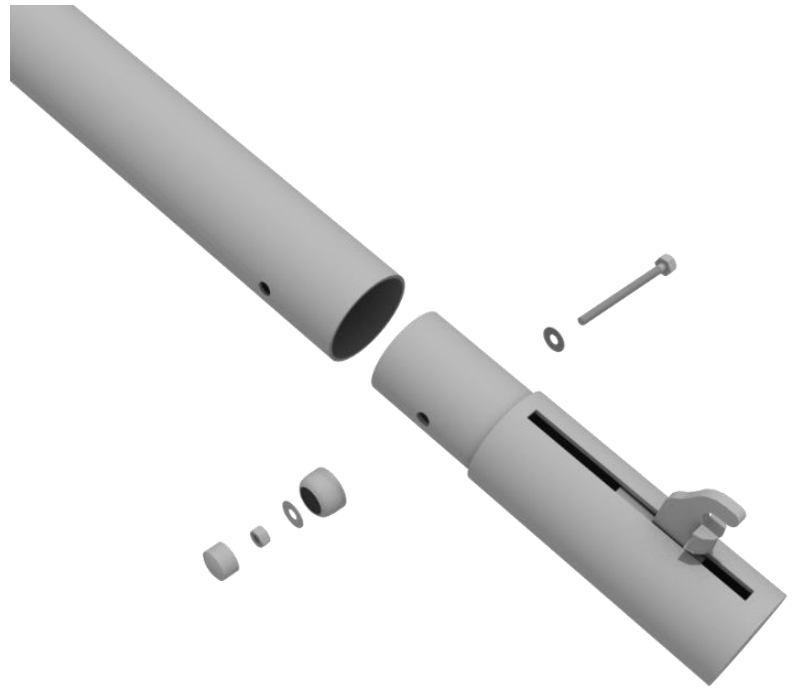
1 Playground Drive  
Greenfield, IN 46140  
1-800-667-0097

Created By: Aaron Price  
Date Modified: 05/14/00

# Square Shade Install

## STEP: 3

Using one (1) M10x90 bolt, one (1) M10 lock nut, and two (2) M10 washers, insert and attach one glide elbow to the end of the shade arm. Repeat this process for the remaining shade arms.



## STEP: 4

Using two (2) M10x30 bolts, two (2) M10 lock nuts, and four (4) M10 washers, attach a long shade arm support to a long shade arm. Repeat this process for the other shade arm supports.



# Square Shade Install

## STEP: 5

Drape the entire shade over the swing structure. Slide the loop of cable at each corner of the shade over the hook on the glide elbow. Once all four corners are in place, begin tightening the bolt on the end of the glide elbows. Be sure to tighten each bolt evenly by alternating corners until the cable is tensioned fully.

