

STEP: 1

**DO NOT CEMENT POSTS INTO PLACE
UNTIL THE ENTIRE STRUCTURE IS
ASSEMBLED.**

Refer to the General Installation
guide footing information and dig
proper holes for the support posts.



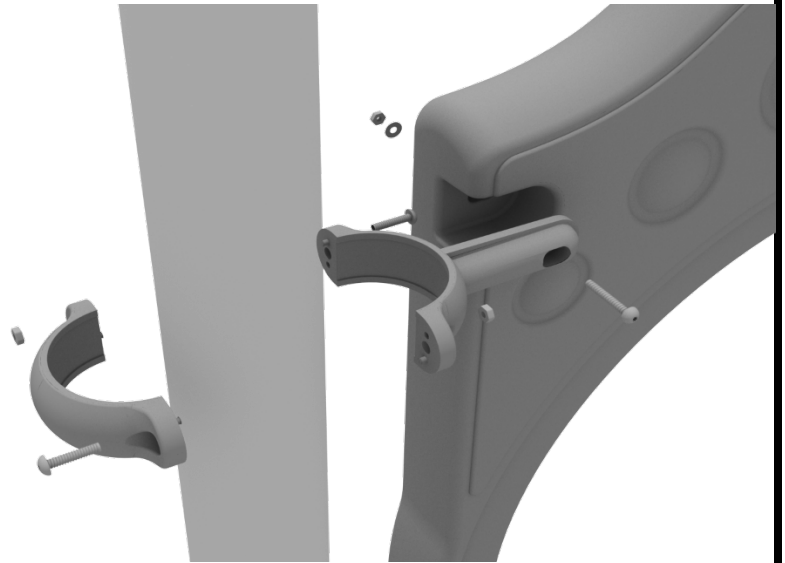
3.5-inch Clamp Installation Examples

The following three pages will include examples of how to install some of the most common types of Clamps that are present on our structures that use 3.5-inch outside diameter posts. The structure that you are assembling might not require all the types of clamps listed in these examples.

The Install Guides for specific components that come later in this document might call for a specific type of clamp (a tube clamp for example), those sections will not include detailed instructions for the clamps and should direct you back to this section for more detailed information.

3.5-inch Flat Clamp Install Example

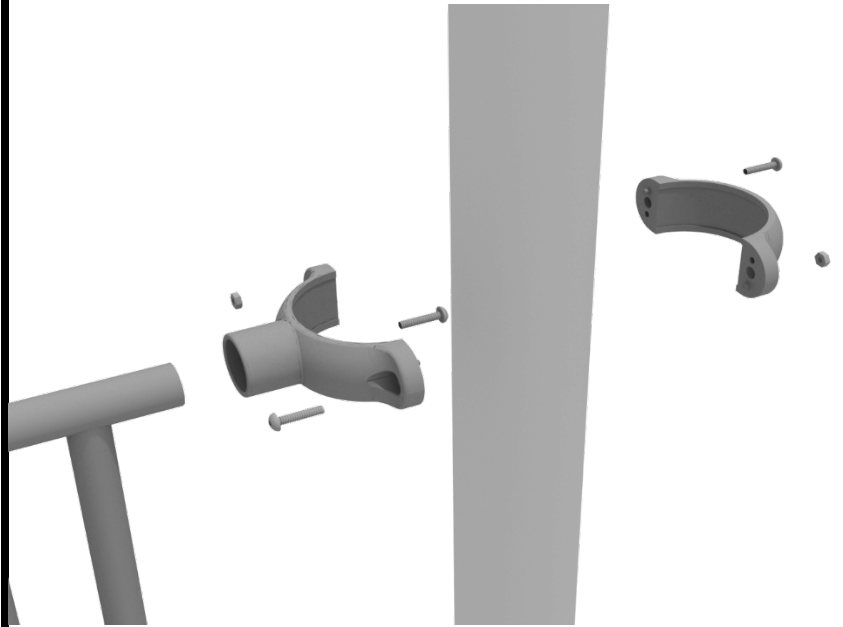
Connect half of the flat clamp to the component using one (1) M8*40 bolt. Then, using the other half of the flat clamp and the hardware provided in the clamp hardware bag, attach the backside of the flat clamp around the post.



3.5-inch Clamp Installation Examples

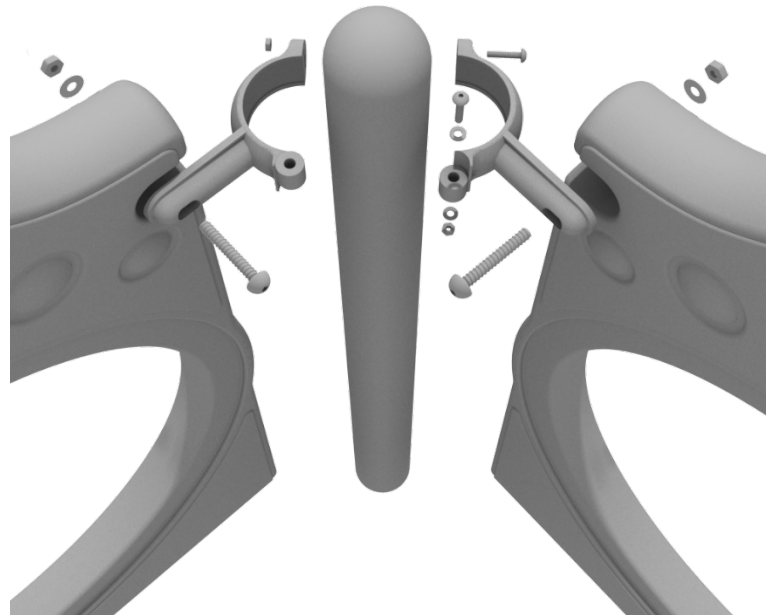
3.5-inch Tube Clamp Install Example

Connect half of the clamp to the component using one (1) M8*30 bolt. Then, using the other half of the tube clamp and the hardware provided in the clamp hardware bag, attach the backside of the tube clamp around the post.



3.5-inch 90-Degree Flat Clamp Install Example

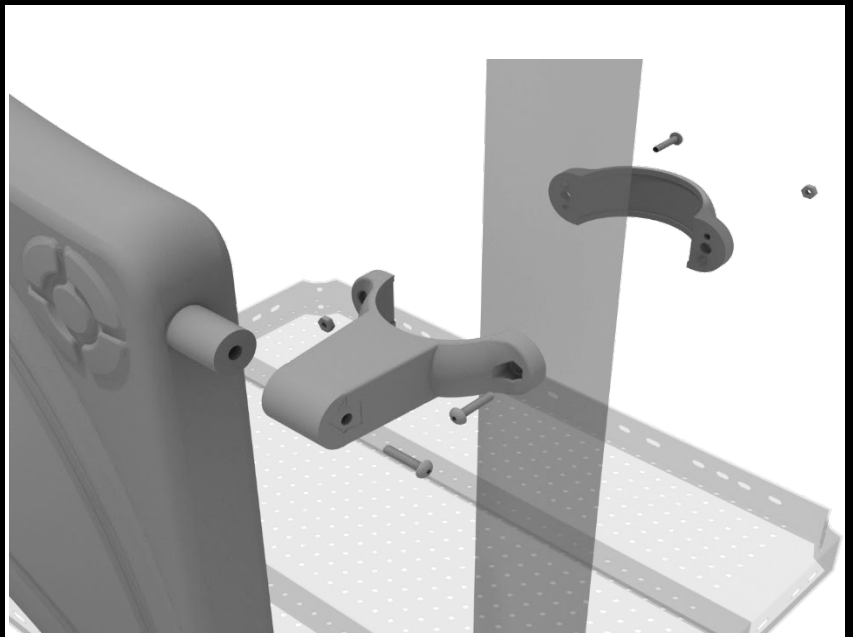
Connect half of the flat clamp to one panel using one (1) M8*40 bolt. Then, using the other half of the flat clamp and the hardware provided in the clamp hardware bag, attach the other half of the tube clamp around the post. Then, attach the next panel to the other side of the clamp using the same process.



3.5-inch Clamp Installation Examples

3.5-inch Double Slide Clamp Install Example

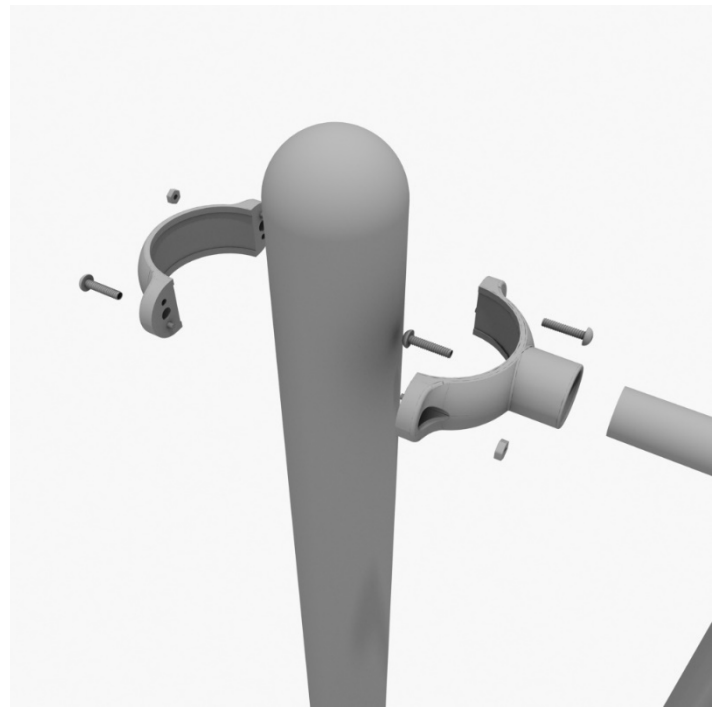
Connect half of the double slide clamp to the double slide hood using one (1) M8*30 bolt. Then, using the other half of the clamp and the hardware provided in the clamp hardware bag, attach the backside of the double slide clamp around the post.



36" Transfer Station (for 3.5" post) Install

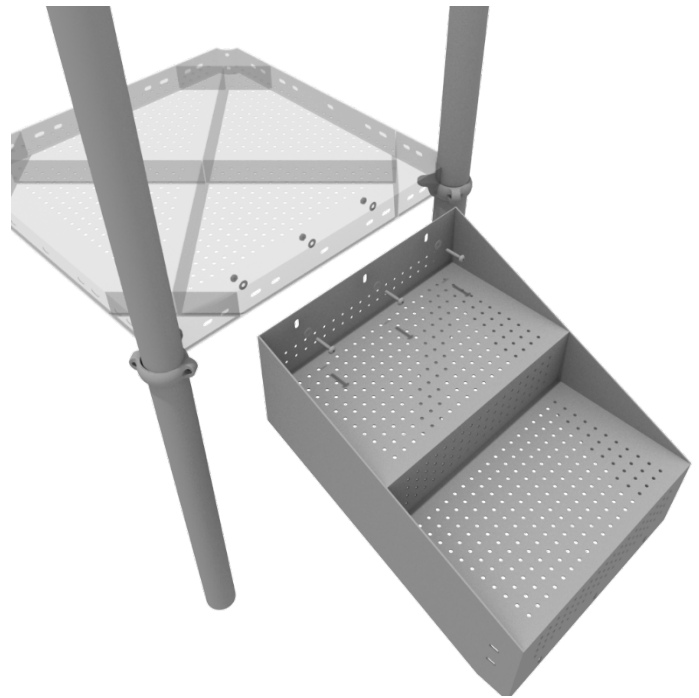
STEP: 1

Connect half of the 3.5-inch tube clamp to the handrail using one (1) M8*30 bolt. Set the handrail into place, then attach the second half of the clamp using the hardware provided in the clamp bag. Repeat this process for the other handrail.



STEP: 2

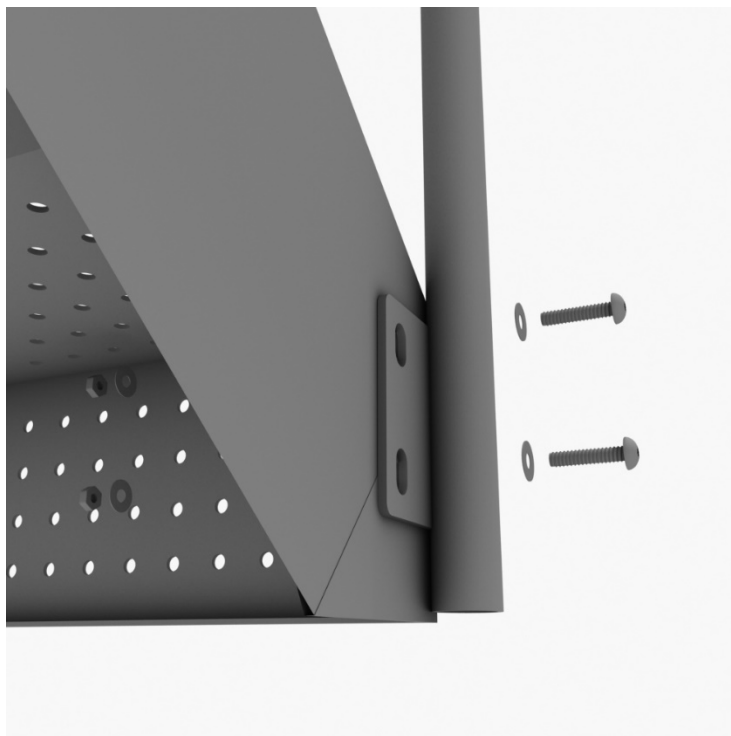
Using three (3) M10*25 bolts, six (6) M10 washers, and three (3) M10 lock nuts, attach the top of the stairs to the square deck.



36" Transfer Station (for 3.5" post) Install

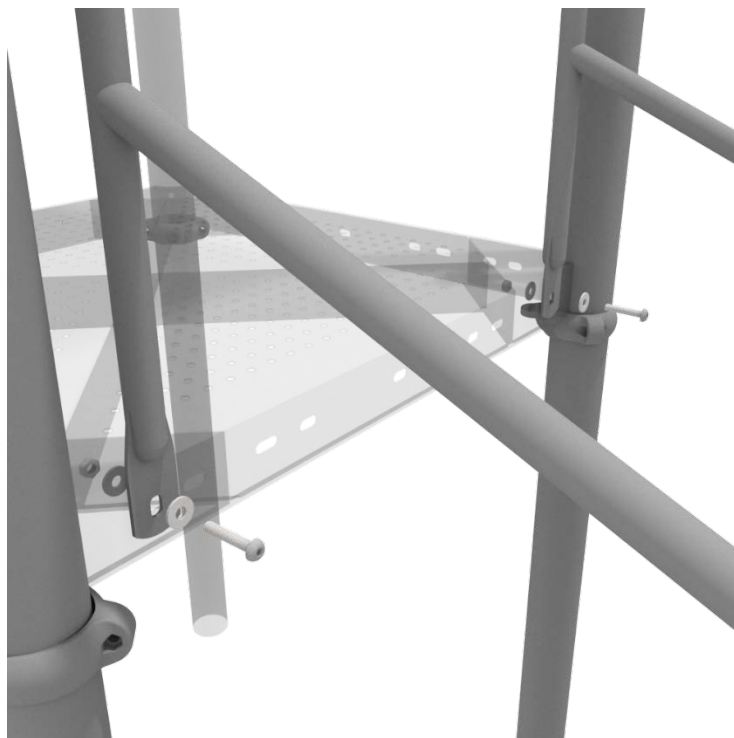
STEP: 3

Using four (4) M10*25 bolts, eight (8) M10 washers, and four (4) M10 lock nuts, connect the bottom of the handrails to the bottom of the 3-foot transfer stair.



STEP: 4

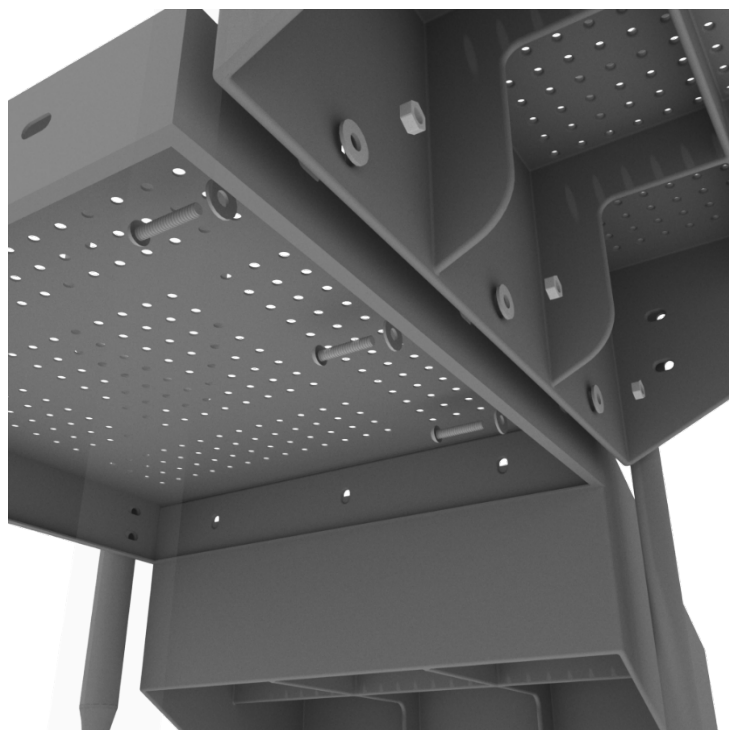
Using two (2) M10*25 bolts, four (4) M10 washers, two (2) lock nuts, attach the handrail to the square deck.



36" Transfer Station (for 3.5" post) Install

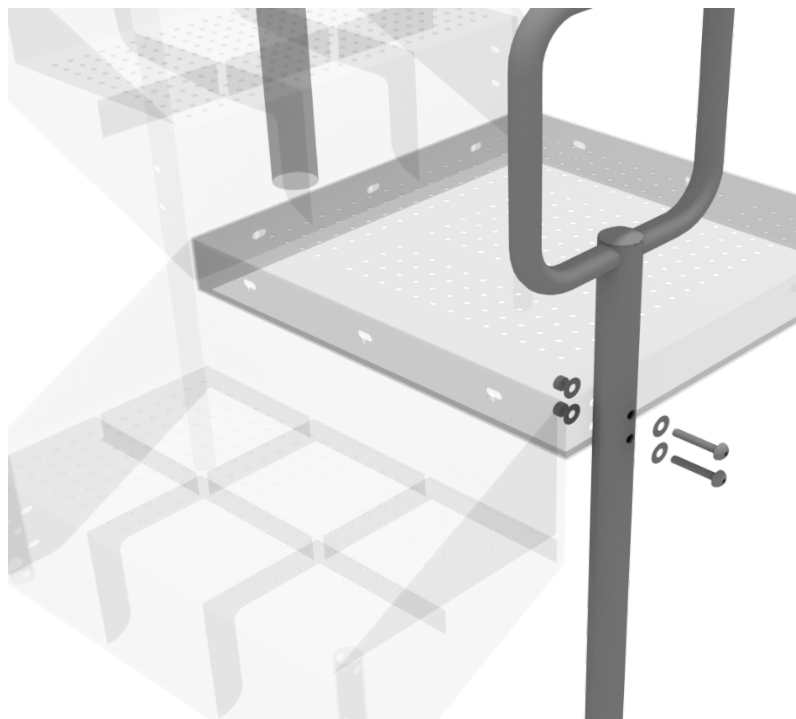
STEP: 5

Using three (3) M10*25 bolts, six (6) M10 washers, and three (3) M10 lock nuts, attach the ADA transfer deck to the base of the 3-foot ADA transfer stair.



STEP: 6

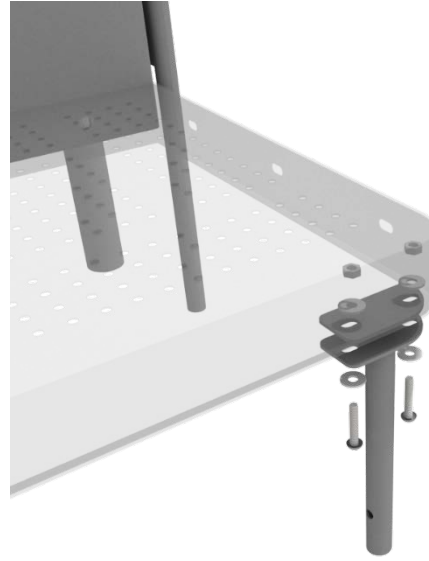
See general installation guide regarding footing information for the transfer deck handrail & mount. Using two (2) M10*65 bolts, four (4) M10 washers, and two (2) M10 lock nuts, attach the transfer handrail to the ADA transfer deck.



36" Transfer Station (for 3.5" post) Install

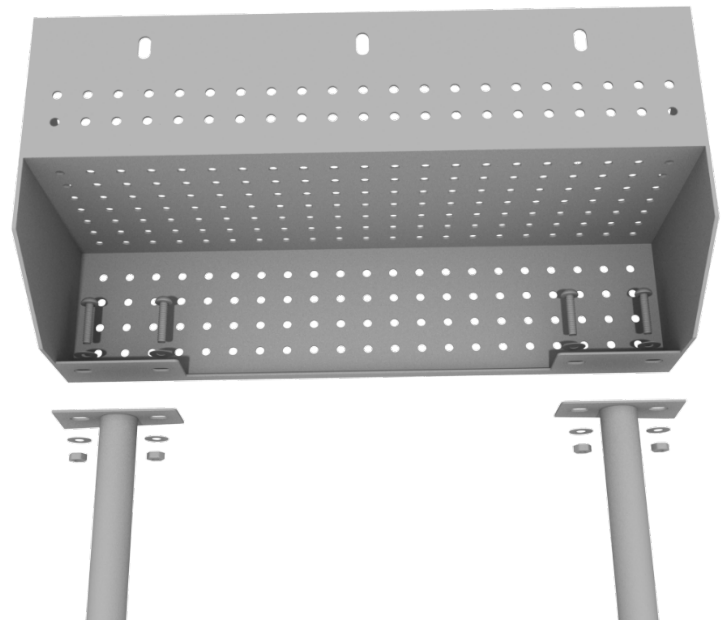
STEP: 7

Using two (2) M10*25 bolts, four (4) M10 washers, and two (2) lock nuts, attach the transfer deck mount to the ADA transfer deck.



STEP: 8

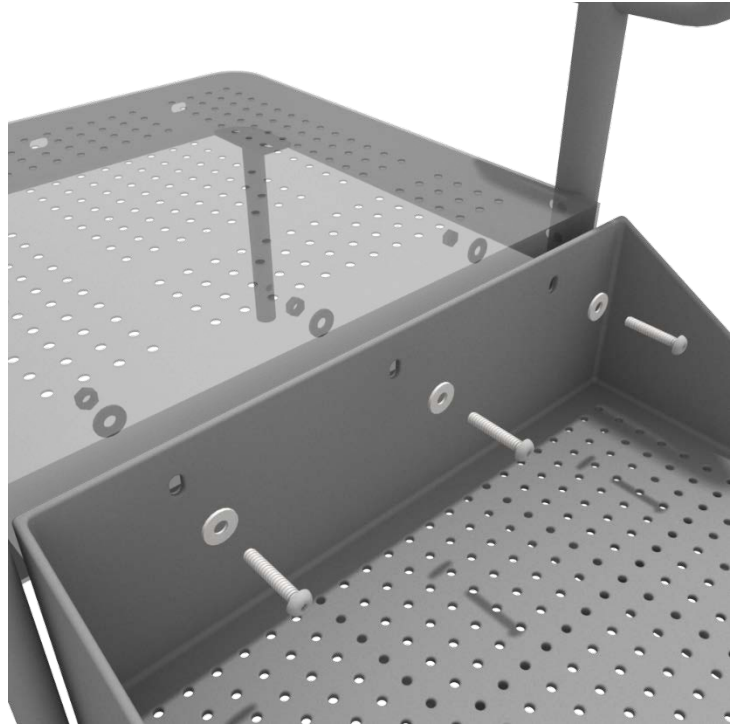
See general installation guide regarding footing information for the ADA transfer step mount. Using two (2) M10 bolts, four (4) M10 washers, and two (2) M10 lock nuts, attach the transfer step to each ADA transfer step mount.



36" Transfer Station (for 3.5" post) Install

STEP: 9

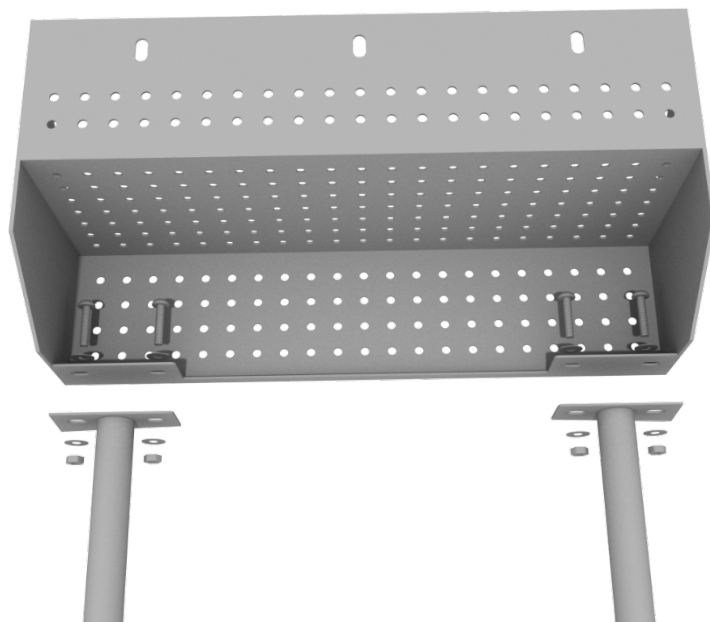
Using three (3) M10*25 bolts, six (6) M10 washers, and three (3) M10 washers, attach the top of the ADA transfer step to the ADA transfer deck.



ADA Step Install

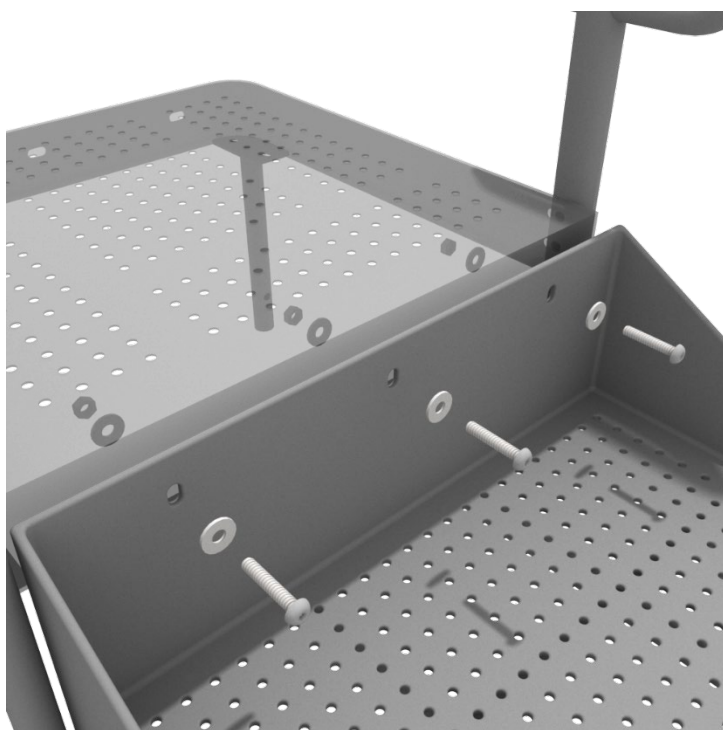
STEP: 1

See general installation guide regarding footing information for the ADA transfer step mount. Using two (2) M10 bolts, four (4) M10 washers, and two (2) M10 lock nuts, attach the transfer step to each ADA transfer step mount.



STEP: 2

Using three (3) M10*25 bolts, six (6) M10 washers, and three (3) M10 washers, attach the top of the ADA transfer step to the ADA transfer deck.



Square Deck Installation

STEP: 1

After the posts are in place, using four (4) M10*35 Bolts, eight (8) M10 Washers, and four (4) M10 Lock Nuts, attach each square deck to each pre-attached deck clamp as shown in the image.

Deck clamps are pre-attached to the posts and should not be altered in any way.



Half Hex Deck Connect to Half Hex Deck

STEP: 1

When installing decks that are adjacent to one another at the same height, they should be bolted together. On the underside of the deck, install using four (4) M10*25 Bolts, eight (8) M10 Washers, and four (4) M10 Lock Nuts. Repeat this process for every set of adjacent decks.

Half Hex Deck Installation

STEP: 1

After the posts are in place, using five (5) M10*35 bolts, ten (10) M10 washers, and five (5) M10 lock nuts, attach the deck to each pre-attached deck clamp as shown in the image.

Deck clamps are pre-attached to the posts and should not be altered in any way.



Right Triangle Deck Installation

STEP: 1

After the posts are in place, using three (3) M10*35 bolts, six (6) M10 washers, and three (3) M10 lock nuts, attach the triangle deck to each pre-attached deck clamp as shown in the image.

Deck clamps are pre-attached to the posts and should not be altered in any way.



Triangle Deck Installation

STEP: 1

After the posts are in place, using three (3) M10*35 bolts, six (6) M10 washers, and three (3) M10 lock nuts, attach the triangle deck to each pre-attached deck clamp as shown in the image.

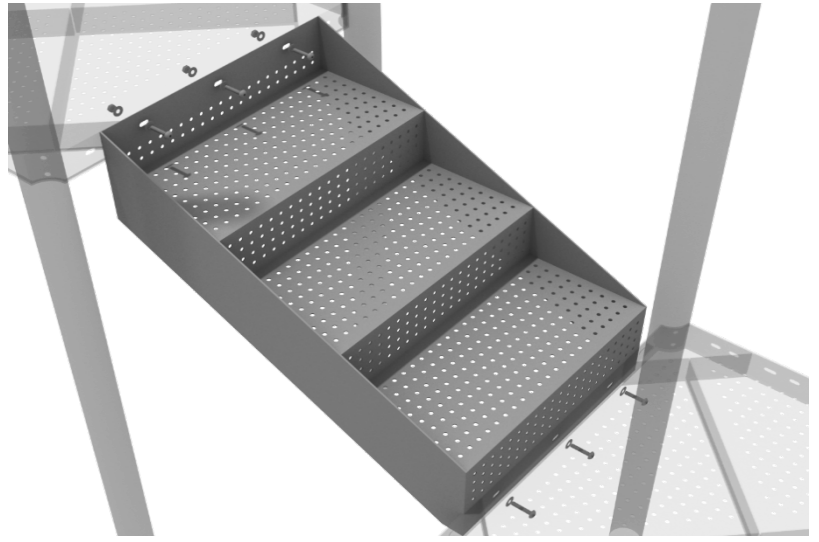
Deck clamps are pre-attached to the posts and should not be altered in any way.



3.5-Inch 2-foot Middle Stair Installation

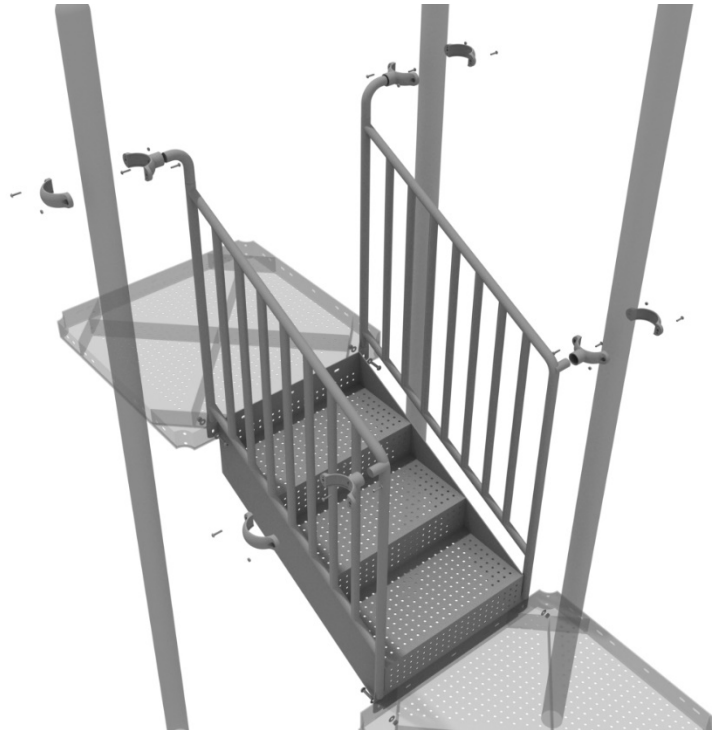
STEP: 1

Using six (6) M10*25 bolts, twelve (12) M10 washers, and six (6) M10 lock nuts, attach the 2-foot connection stair to the assigned decks.



STEP: 2

Then, once the stair is in place, attach the 2-foot connection handrail to the posts using four (4) 3.5-inch tube clamps, and four (4) M8*30 bolts. Then, attach the bottom of the handrails to the decks using one (1) M10*25 bolt, two (2) M10 washers, and one (1) M10 lock nut for each attachment point.



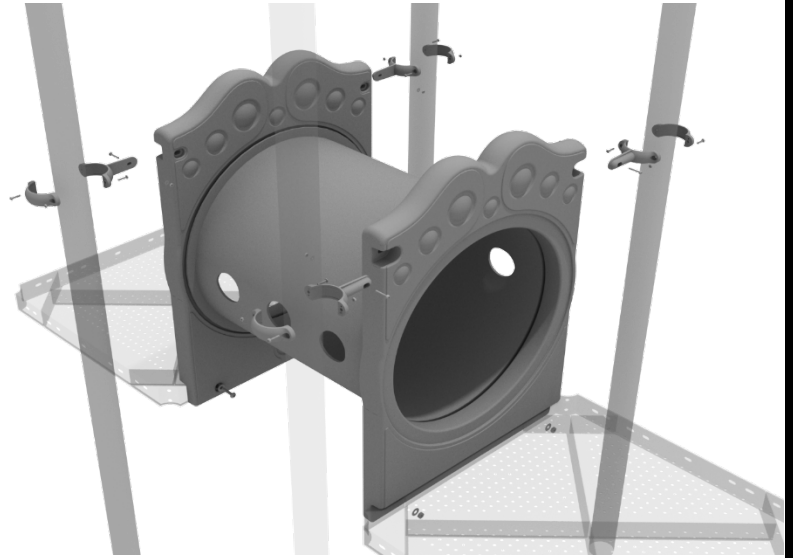
1 Playground Drive
Greenfield, IN 46140
1-800-667-0097

Created By: Derick H
Date: 10/26/2020

3.5-inch Tube Bridge Installation

STEP: 1

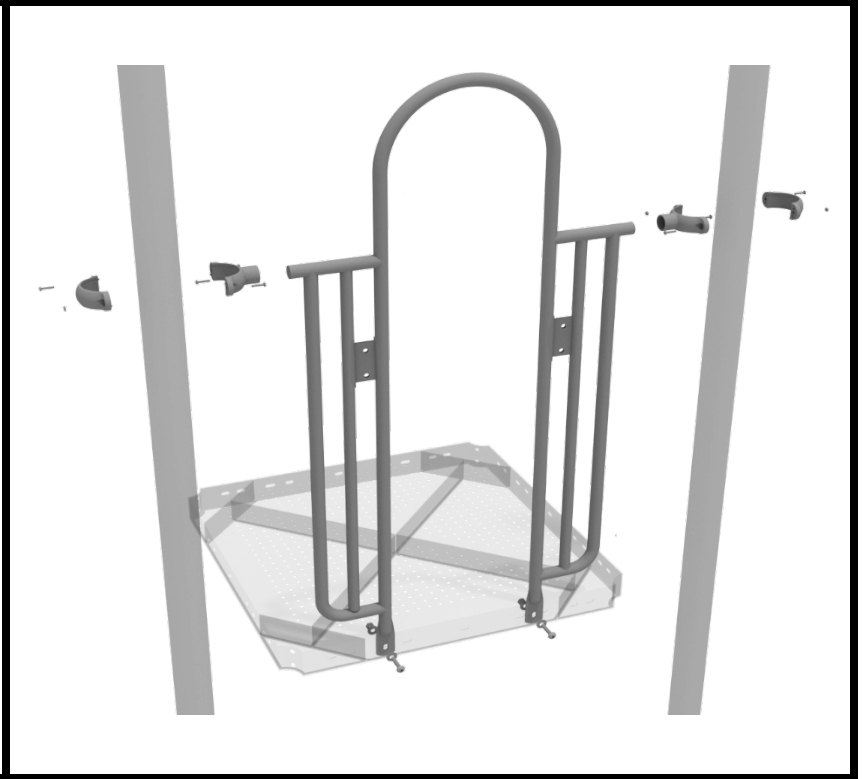
Attach each side of the tube bridge to the proper deck using two (2) M10*50 bolts, four (4) M10 washers, and two (2) M10 lock nuts. Then, attach the top of the tube bridge to the posts using one (1) flat clamp, one (1) M8*40 one (1) M8 washer, and one (1) M8 lock nut bolt for each post attachment point.



3.5-inch Pebble Climber with Rail Installation

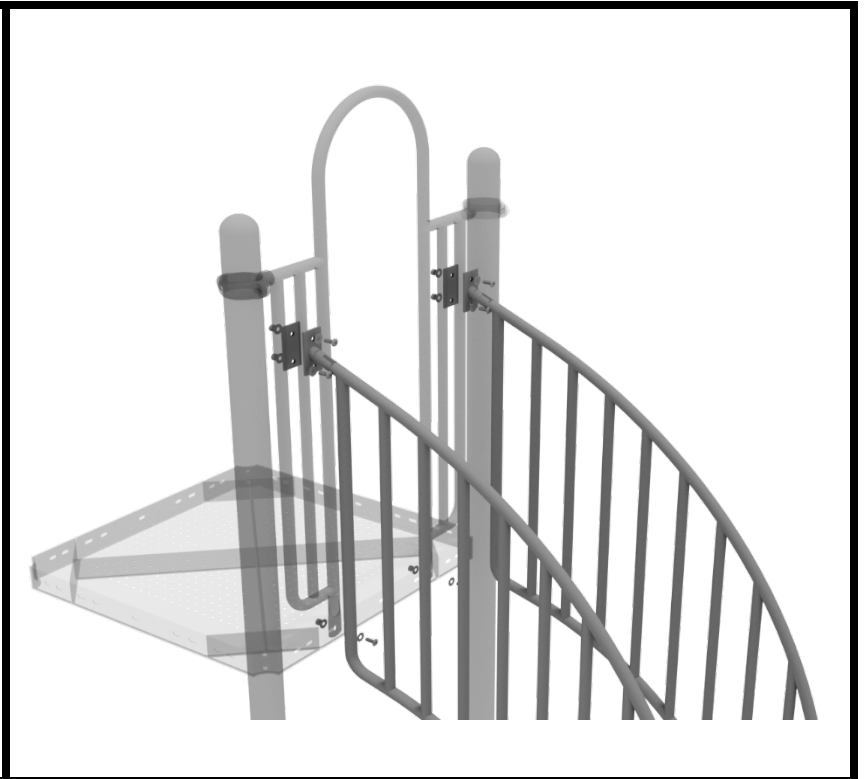
STEP: 1

Attach the Arch Rail to the designated posts by connect half of the tube clamp to the arch rail using one (1) M8*30 bolt. Repeat this process for each post attachment point. Then, attach the rail to the deck using two (2) M10*25 bolts, four (4) M10 washers, and two (2) M10 lock nuts. Finally, attach the second half of the clamp around the post.



STEP: 1

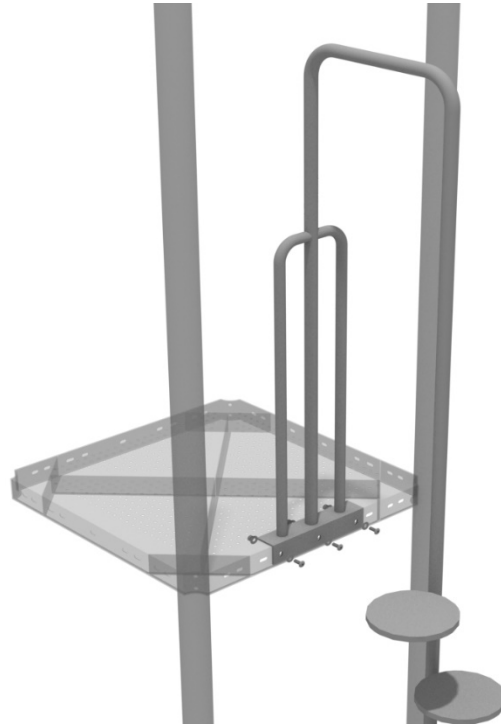
Attach the Pebble Climber Handrails to the mounting plates on the Arch Rail using four (4) M10*25 bolts, eight (8) M10 washers, and four (4) M10 lock nuts. The bottom end of the Pebble Climber Handrails will be put in an inground footing. See General Install Guide for more info about climber footings.



Disc Climber Installation

STEP: 1

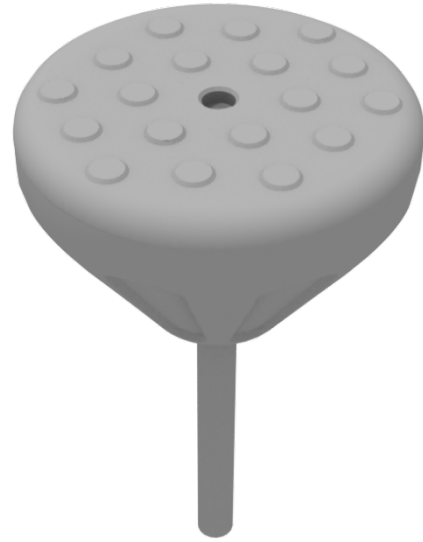
See general installation guide regarding footing information for the disc climber. Using three (3) M10*25 bolts, six (6) M10 washers, and three (3) M10 lock nuts, attach the disc climber to the square deck.



Pebble Climber Installation

STEP: 1

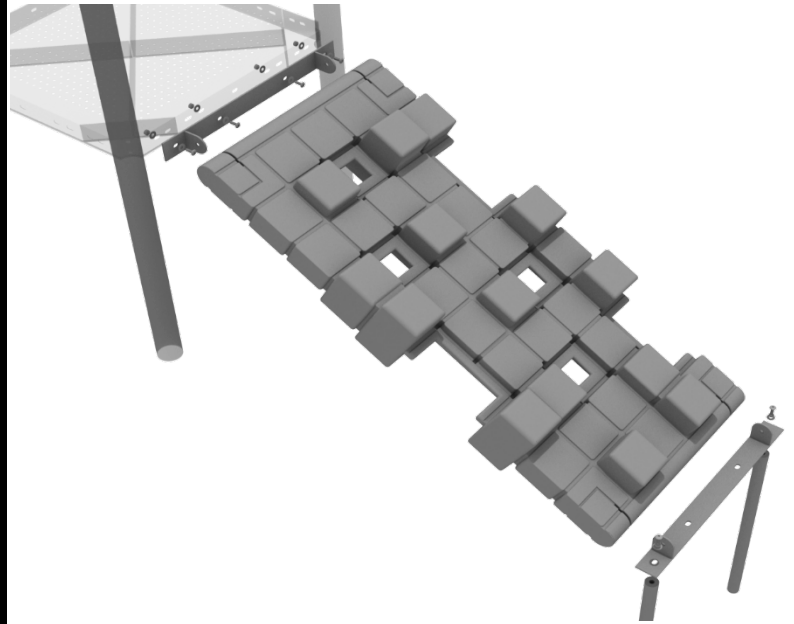
See general installation guide regarding footing information. Pebble climber requires a 12" x 18" footing.



Pixel Climber Installation

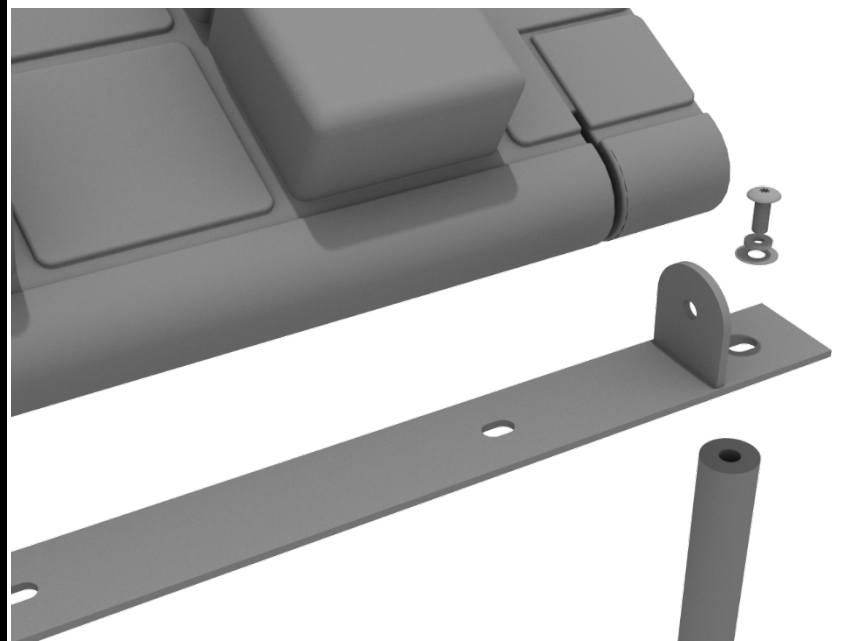
STEP: 1

First, detach the pre-attached bracket on the end of the climber that has four (4) Bolts attached, and attach it to the designated deck.



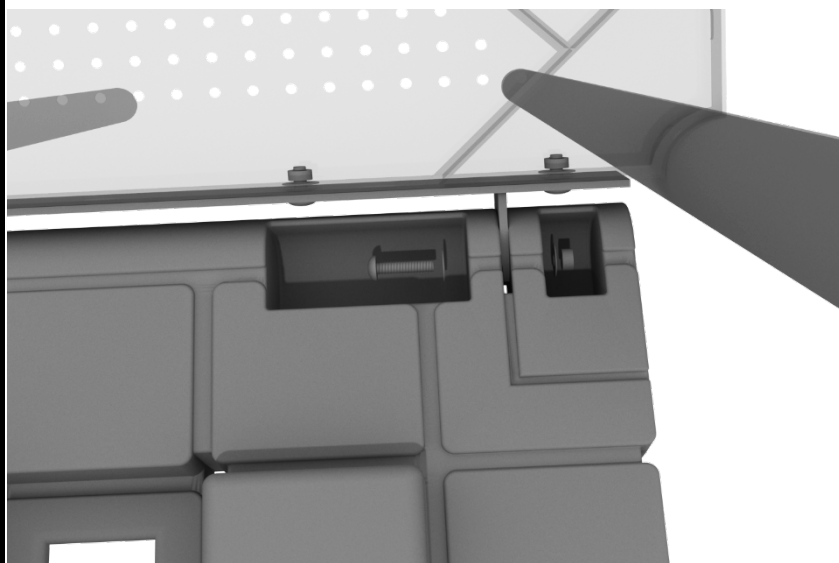
STEP: 2

Then, attach the provided support mounts to the other side of the Pixel Climber using the pre-attached bolt. See general installation guide regarding footing information for the figure climber.



STEP: 3

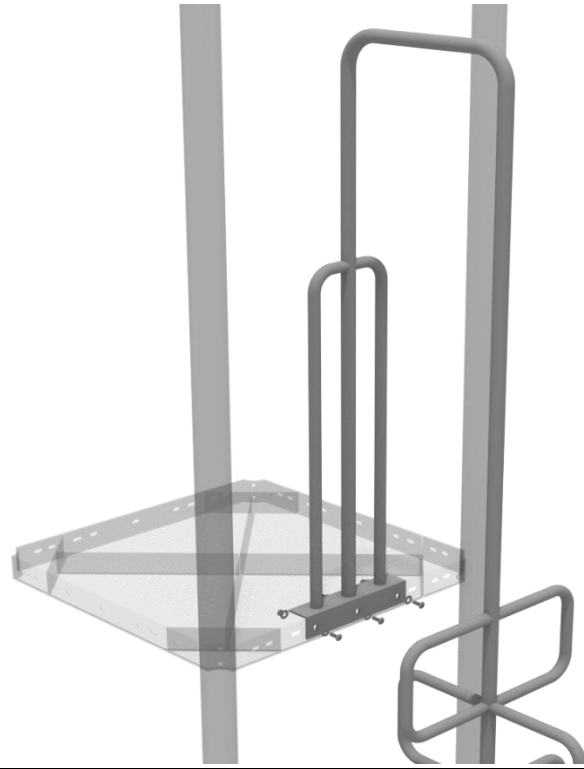
Finally, attach the climber to the mount that you attached to the deck with the pre-attached hardware.



Ribbon Climber Installation

STEP: 1

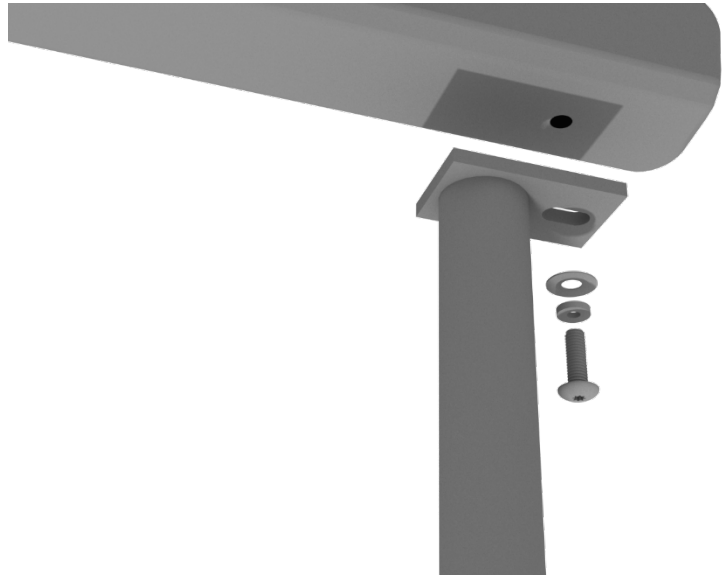
See general installation guide regarding footing information for the Ribbon climber. Using three (3) M10*25 bolts, six (6) M10 washers, and three (3) M10 lock nuts, attach the climber to the square deck.



Sea Creature Climber Installation

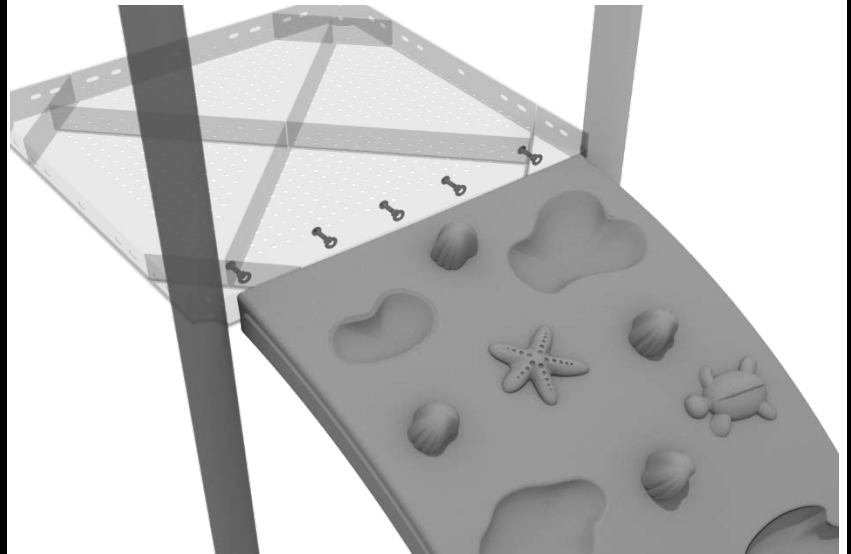
STEP: 1

See general installation guide regarding footing information for the Sea Creature climber. Using two (2) M10*20 bolts, two (2) M10 spring gaskets, and two (2) M10 washers, attach the bottom of the Sea Creature climber to the climber support posts.



STEP: 2

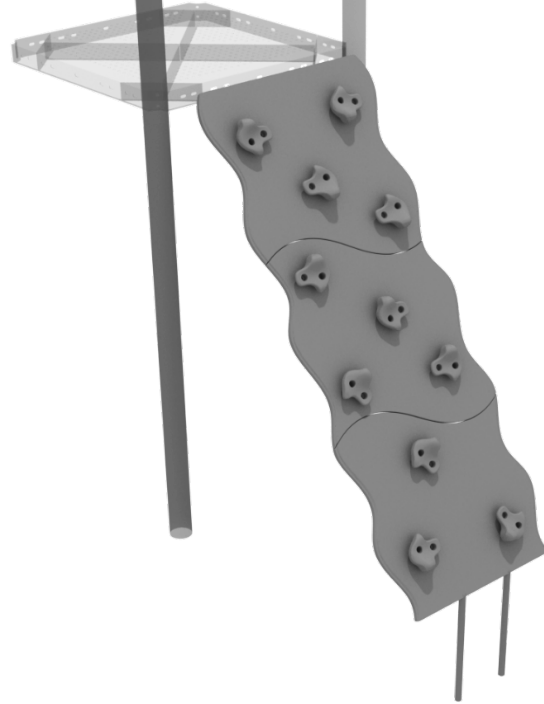
Then using five (5) M10*20 bolts, five (5) M10 spring gaskets, and five (5) M10 washers, attach the top of the Sea Creature climber to the deck.



PE Wavy Rock Climber Installation

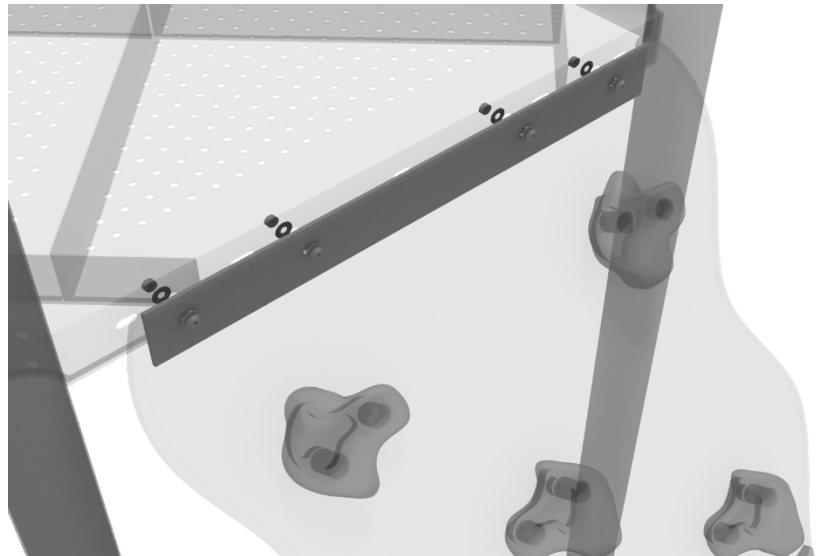
STEP: 1

See general installation guide regarding footing information for the wavy PE rock climber.



STEP: 2

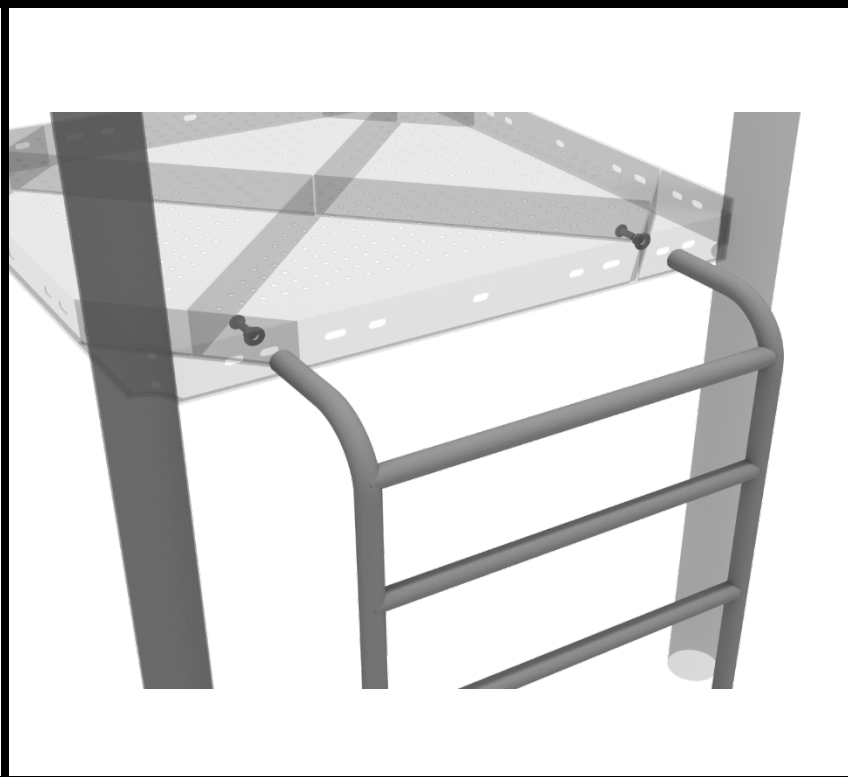
Then, using four (4) M10*55 bolts, eight (8) M10 washers, and four (4) M10 lock nuts, attach the climber to the deck.



3-foot Vertical Ladder Installation

STEP: 1

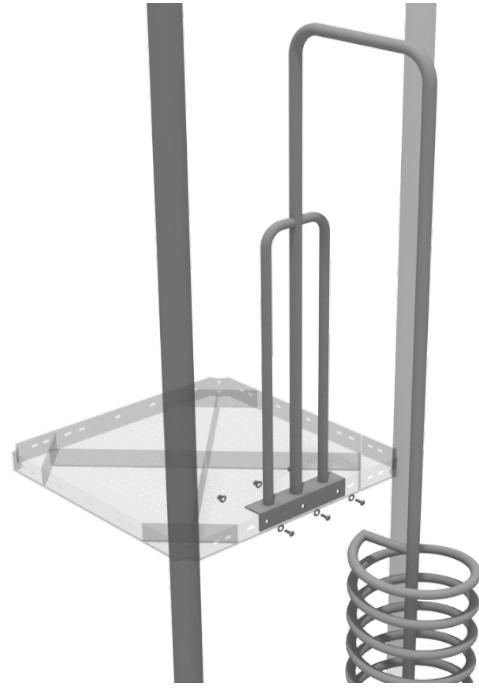
See general installation guide regarding footing information for the 3-foot Vertical Ladder. Attach the ladder to the deck using two (2) M10*25 bolts, two (2) M10 spring washers, and two (2) M10 washers.



Spiral Climber Installation

STEP: 1

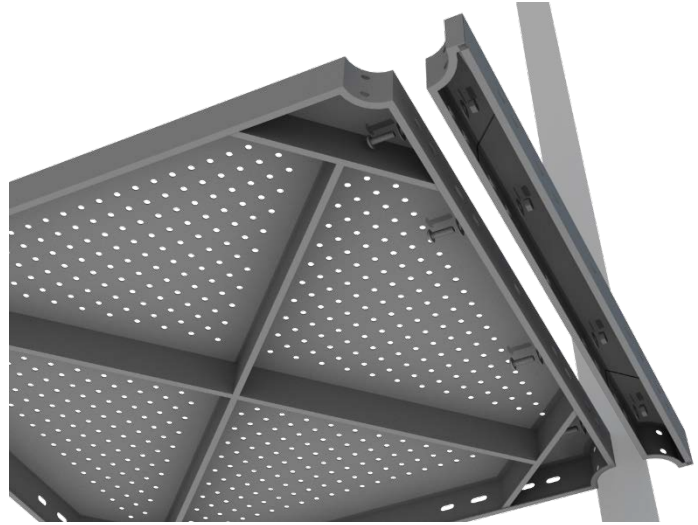
See general installation guide regarding footing information for the Spiral climber. Using three (3) M10*25 bolts, six (6) M10 washers, and three (3) M10 lock nuts, attach the Spiral climber to the deck.



3-foot Double Straight Slide Installation

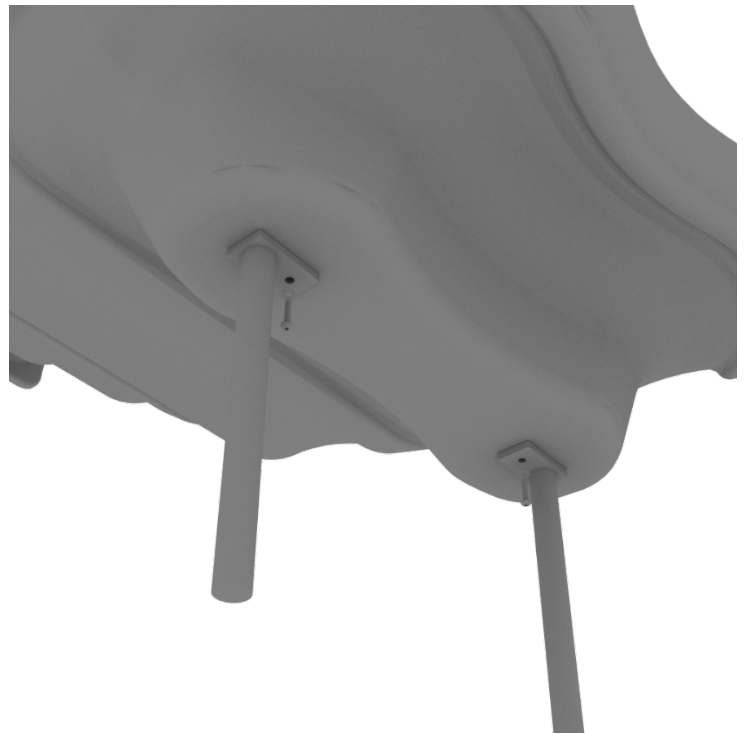
STEP: 1

For the double slide, you will first need to attach the double slide deck extension. This will require six (6) M10*25 bolts, twelve (12) M10 washers, and six (6) M10 lock nuts.



STEP: 2

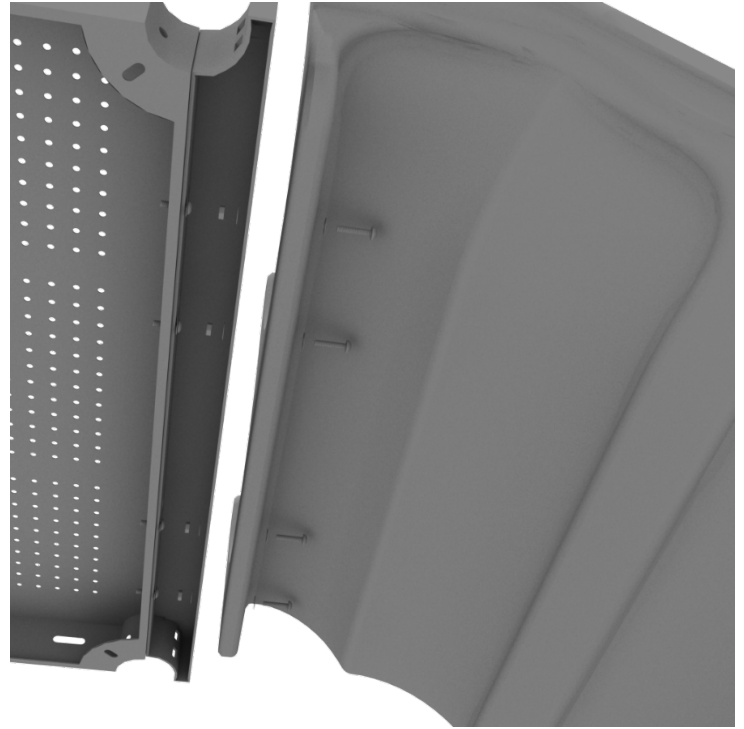
Then, See general installation guide regarding footing information for the double slide end mounts. Using two (2) M8*20 bolts, two (2) M8 spring gaskets, and two (2) M8 washers, attach the slide end mounts to the double slide.



3-foot Double Straight Slide Installation

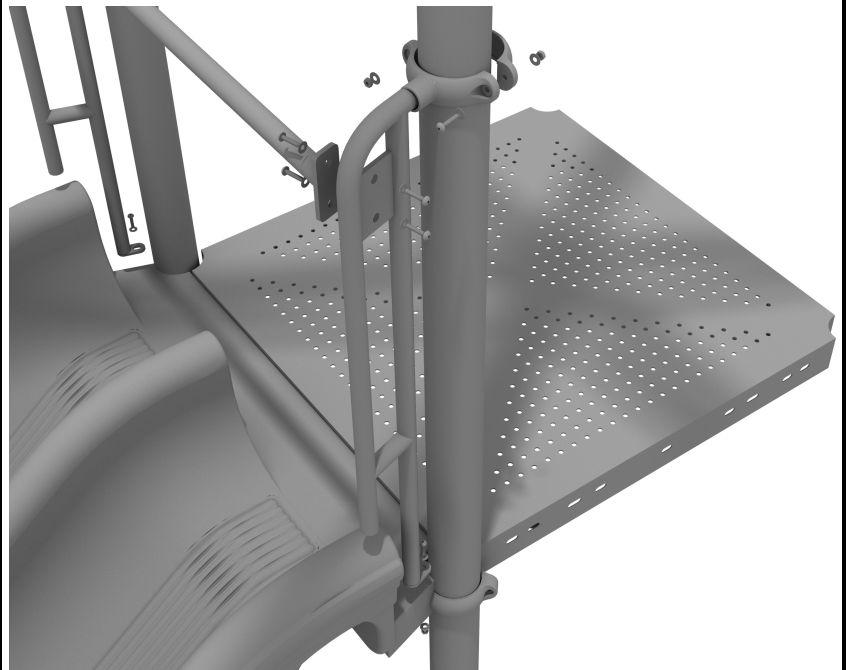
STEP: 3

Then, attach the slide to the deck extension using four (4) M10*45 bolts, eight (8) M10 washers, and four (4) M10 lock nuts.



STEP: 4

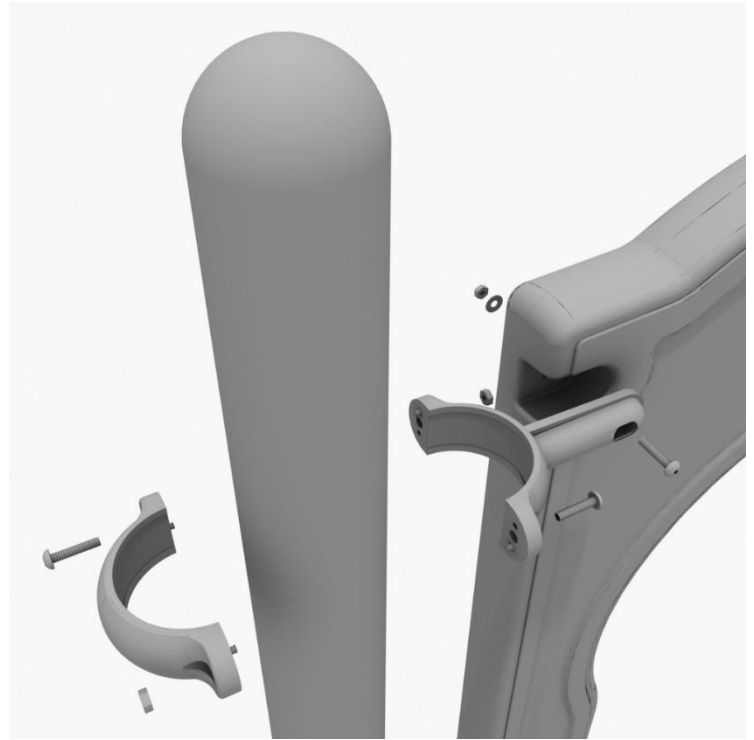
Once the slide is attached, connect double slide rail to post using two (2) tube clamps. Connect crossbar to rails using four (4) M10*25 bolts, eight (8) M10 washers and four (4) M10 lock nuts. Connect rail to deck using two (2) M10*25 bolts, four (4) M10 washers and two (2) M10 lock Nuts.



3-foot Left Turn Slide Installation

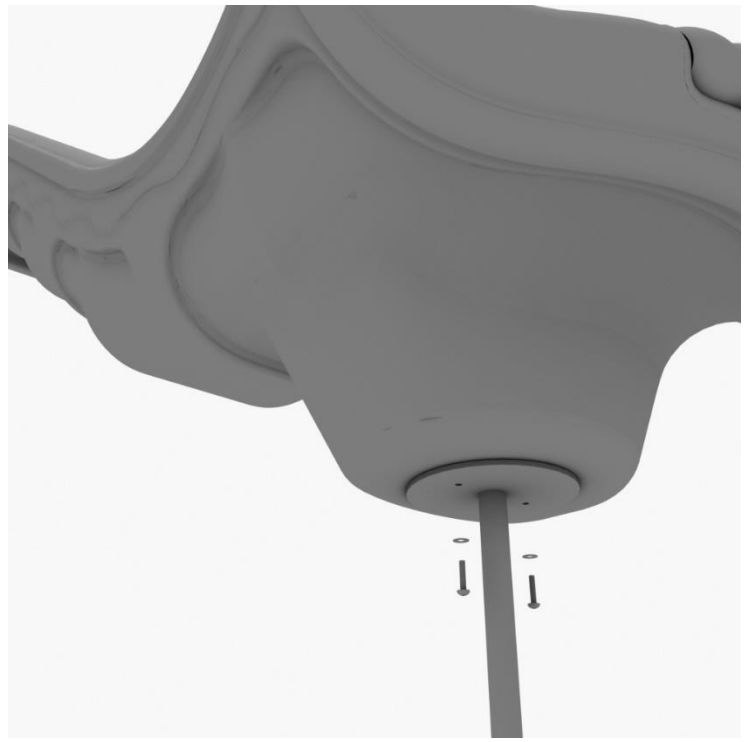
STEP: 1

Take one (1) 3.5-inch flat clamp, and loosely attach it around a post using the bolts and nuts provided in the clamp hardware bag. Repeat this process on the other post. Then, use one (1) M8*40 bolt, one (1) M8 washer, and one (1) M8 lock nut to attach each side of the slide hood to each clamp. Leave bolts loose until slide is in place.



STEP: 2

See general installation guide regarding footing information for the slide end mount. Using two (2) M8*20, two (M8) spring washers. And two (2) M8 washers, attach the slide to the slide support post.



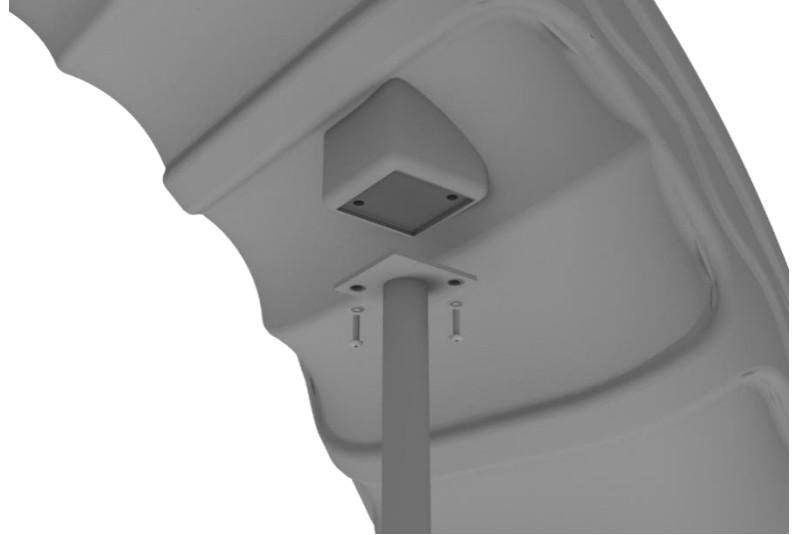
1 Playground Drive
Greenfield, IN 46140
1-800-667-0097

Created By: Aaron Price
Date: 03/19/2018

3-foot Left Turn Slide Installation

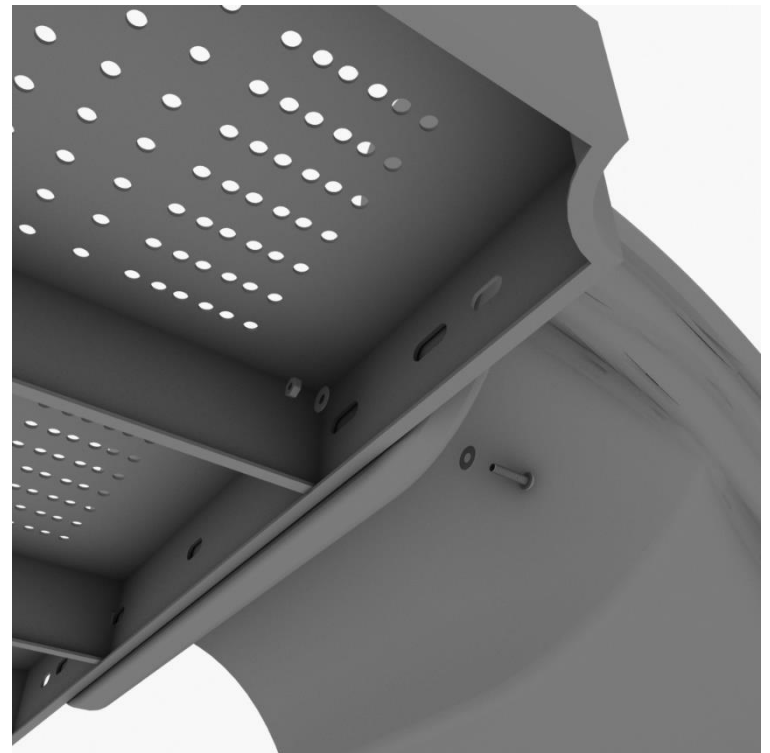
STEP: 3

See general installation guide regarding footing information for the middle slide support. Using two (2) M8*20 bolts, two (2) M8 spring washers, and two (2) M8 washers, attach the middle slide support post.



STEP: 4

Using one (1) M10*45 bolt, two (2) M10 washers, and two (2) M10 lock nuts, attach one side of the slide to the deck.



3-foot Left Turn Slide Installation

STEP: 5

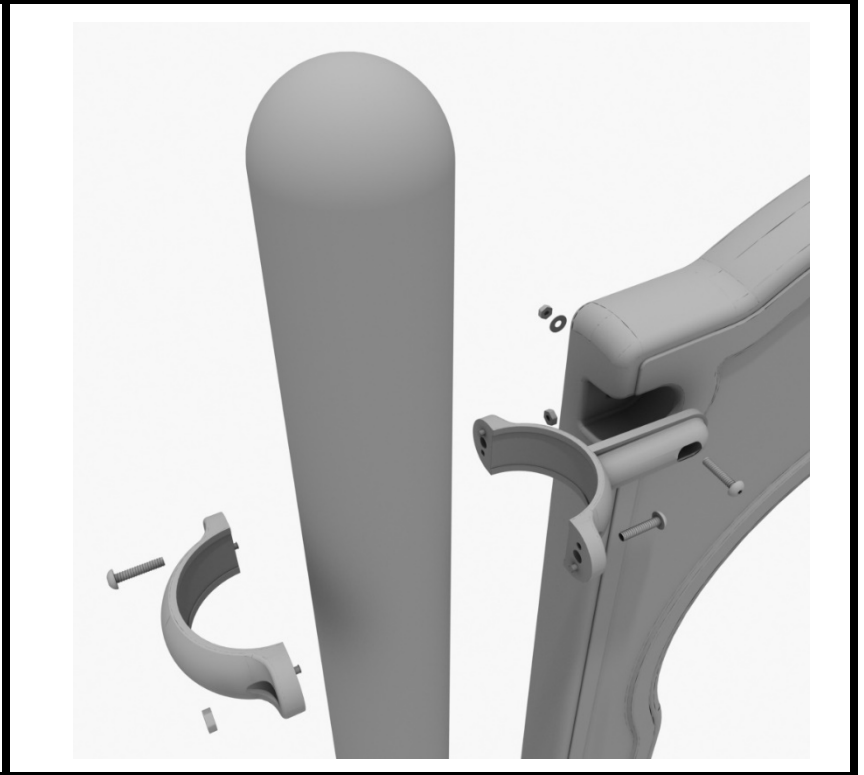
Using one (1) M8*45 bolt, one (1) M8 washer, one (1) M12 washer, and one (1) M12 inner hex spiral nut, attach the slide to one side of the slide hood. Repeat this process for the other side of the slide.



5-foot Single Straight Slide Installation

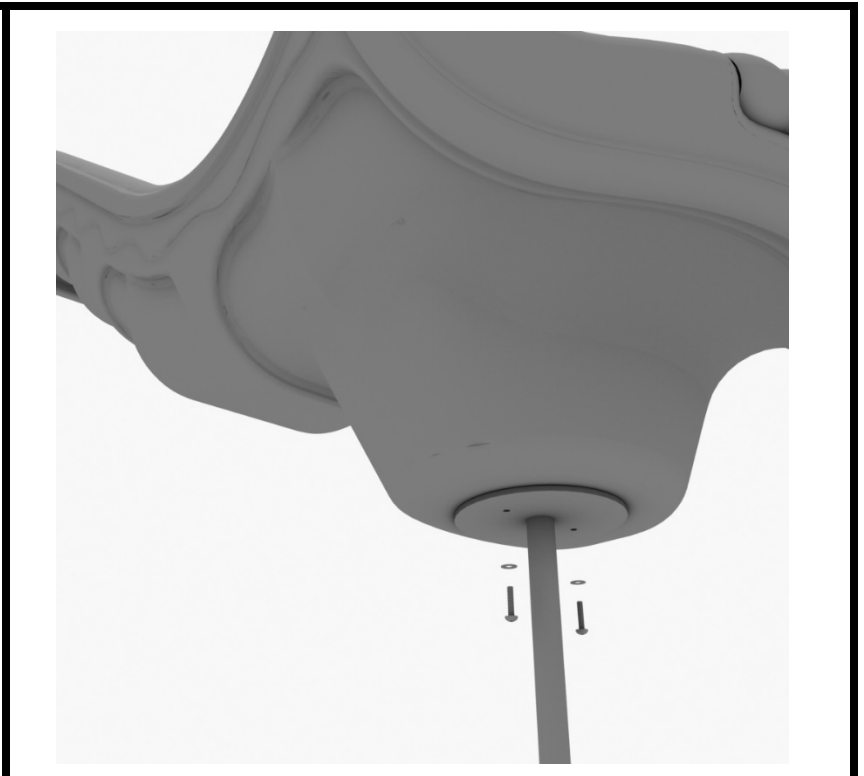
STEP: 1

Take one (1) 3.5-inch flat clamp, and loosely attach it around a post using the bolts and nuts provided in the clamp hardware bag. Repeat this process on the other post. Then, use one (1) M8*40 bolt, one (1) M8 washer, and one (1) M8 lock nut to attach each side of the slide hood to each clamp. Leave bolts loose until slide is in place.



STEP: 2

See general installation guide regarding footing information for the slide end mount. Using two (2) M8*20, two (M8) spring washers. And two (2) M8 washers, attach the slide to the slide support post.



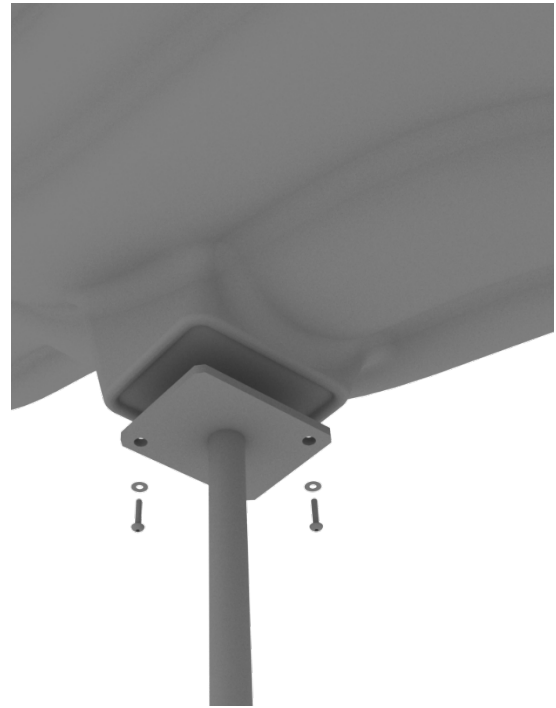
1 Playground Drive
Greenfield, IN 46140
1-800-667-0097

Created By: Aaron Price
Date: 04/10/2018

5-foot Single Straight Slide Installation

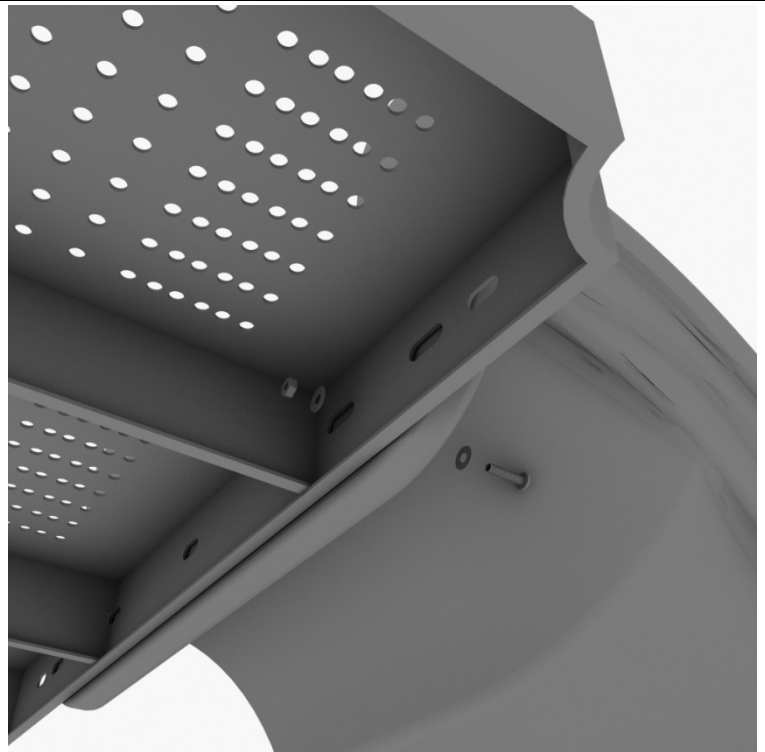
STEP: 3

See general installation guide regarding footing information for the middle slide support. Using two (2) M8*20 bolts, two (2) M8 spring washers, and two (2) M8 washers, attach the middle slide support post. Repeat the process for each middle slide mount.



STEP: 4

To attach a single slide to a deck, use two (2) M10*45 bolts, four (4) M10 washers, and two (2) M10 lock nuts. Repeat this process for the other side of the slide. Repeat this process for each single slide.



5-foot Single Straight Slide Installation

STEP: 5

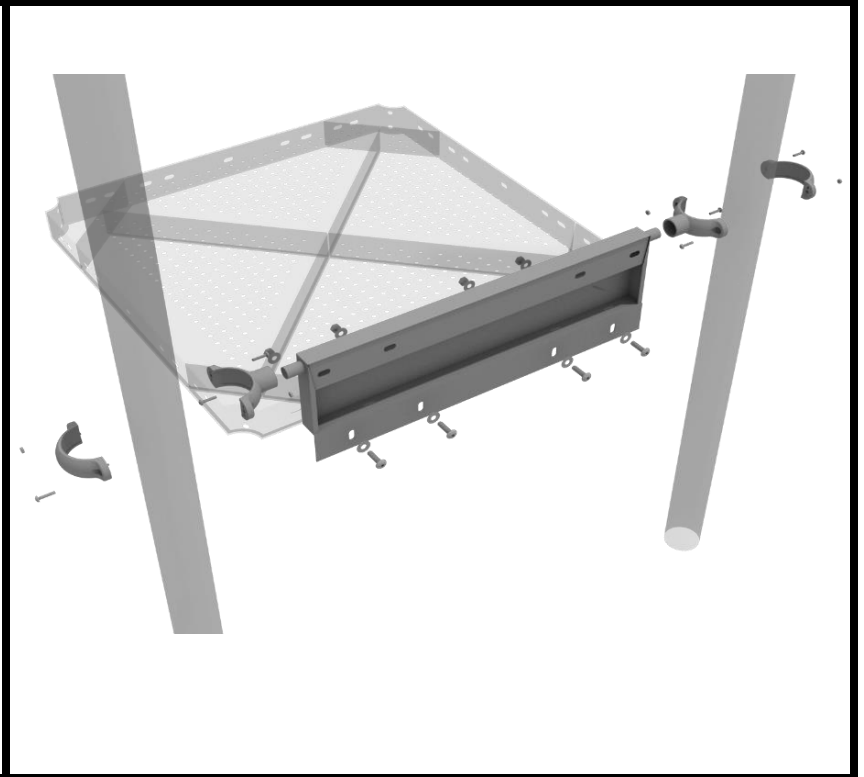
Using two (2) M8*45 bolts, two (2) M8 washer, two (2) M12 washers, and one (1) M12 inner hex spiral nut, attach the slide to the slide hood. Repeat this process for the other side of the slide.



Spiral Slide Installation

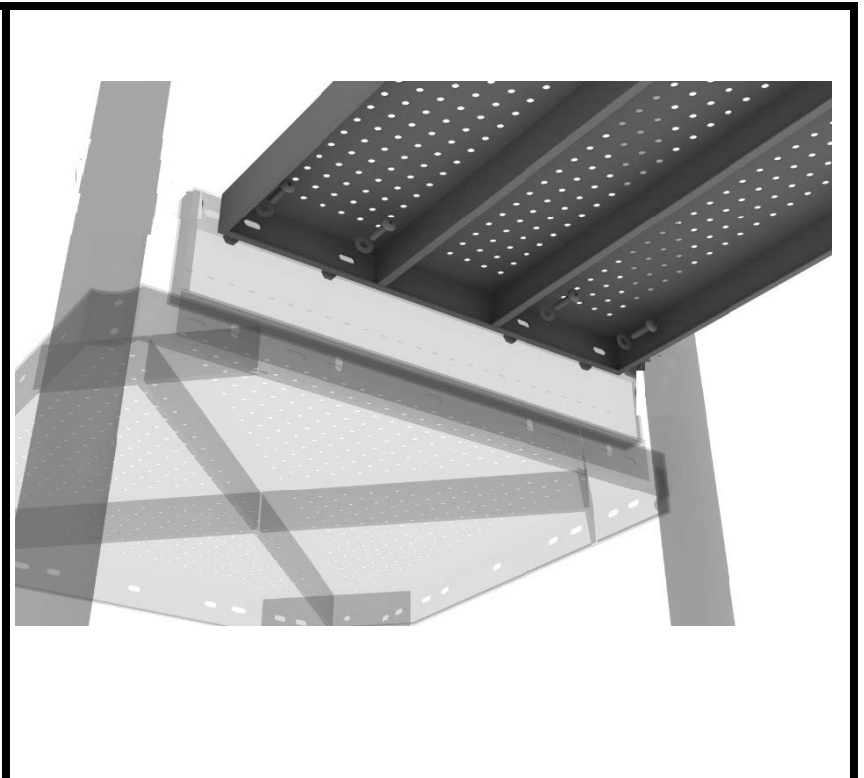
STEP: 1

Attach the spiral slide kick plate to the proper square deck using four (4) M10*25 bolts, eight (8) M10 washers, four (4) M10 lock nuts.



STEP: 2

Attach the spiral slide deck to the top of the spiral slide kick plate using four (4) M10*25 bolts, eight (8) M10 washers, and four (4) M10 lock nuts.



1 Playground Drive
Greenfield, IN 46140
1-800-667-0097

Created By: Derick H
Date: 01/05/2020

Spiral Slide Installation

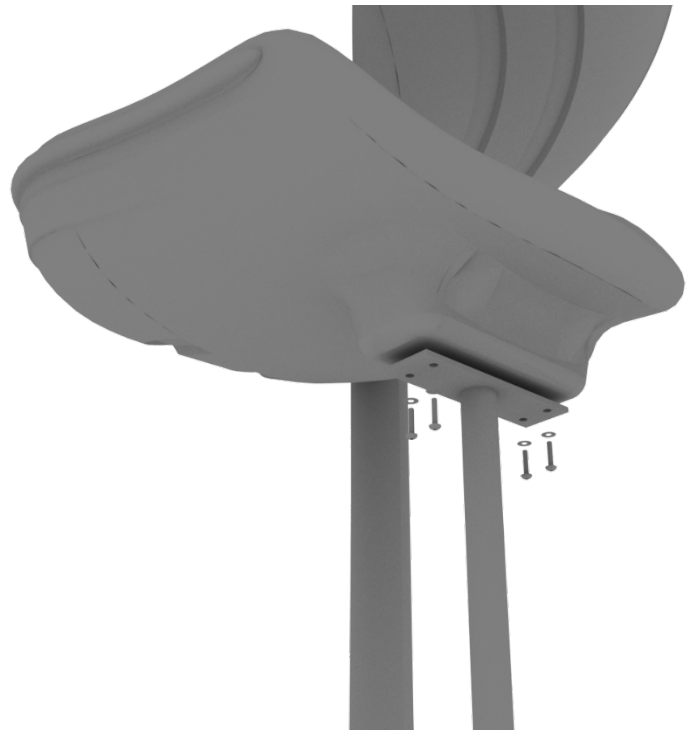
STEP: 3

Attach the Spiral Slide Deck Support Post to the Spiral Slide Deck using two (2) M10*25 Bolts, four (4) M10 Washers, and two (2) M10 Lock Nuts.



STEP: 4

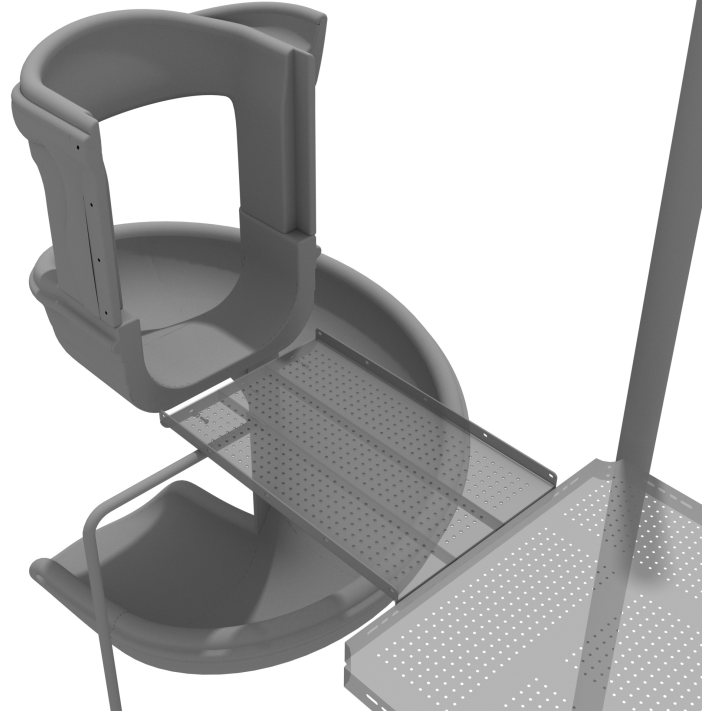
Connect the Spiral Slide Mount to the bottom of the Spiral Slide using four (4) M10*20 Bolts, four (4) M10 Spring Gaskets, and four (4) M10 Washers. Refer to the General Installation Guide for information on slide footings.



Spiral Slide Installation

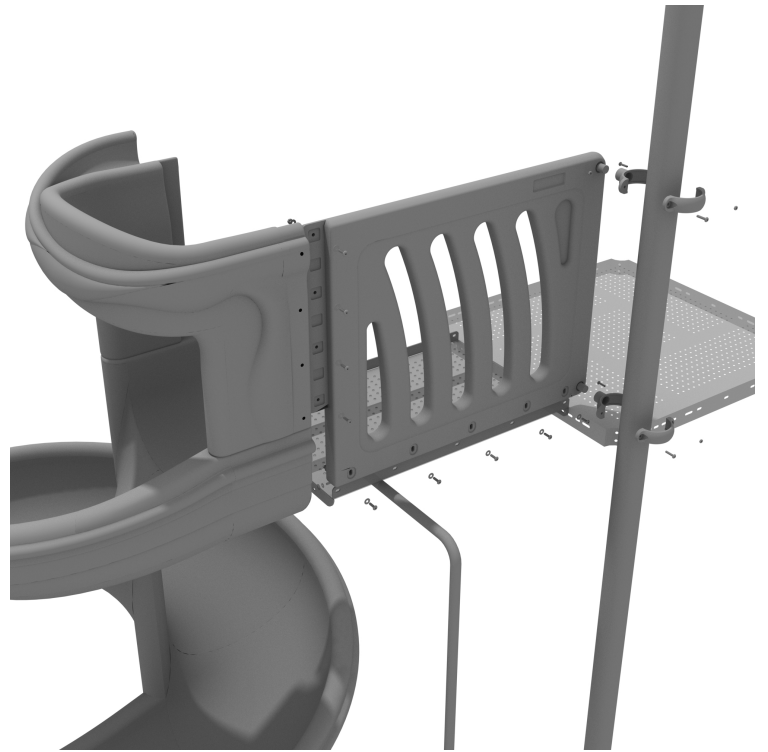
STEP: 5

See general installation guide regarding footing information for slides and support posts. Connect the Spiral Slide to the Spiral Slide Deck using three (3) M10*20 Bolts, three (3) M10 Spring Gaskets, and three (3) M10 Washers.



STEP: 6

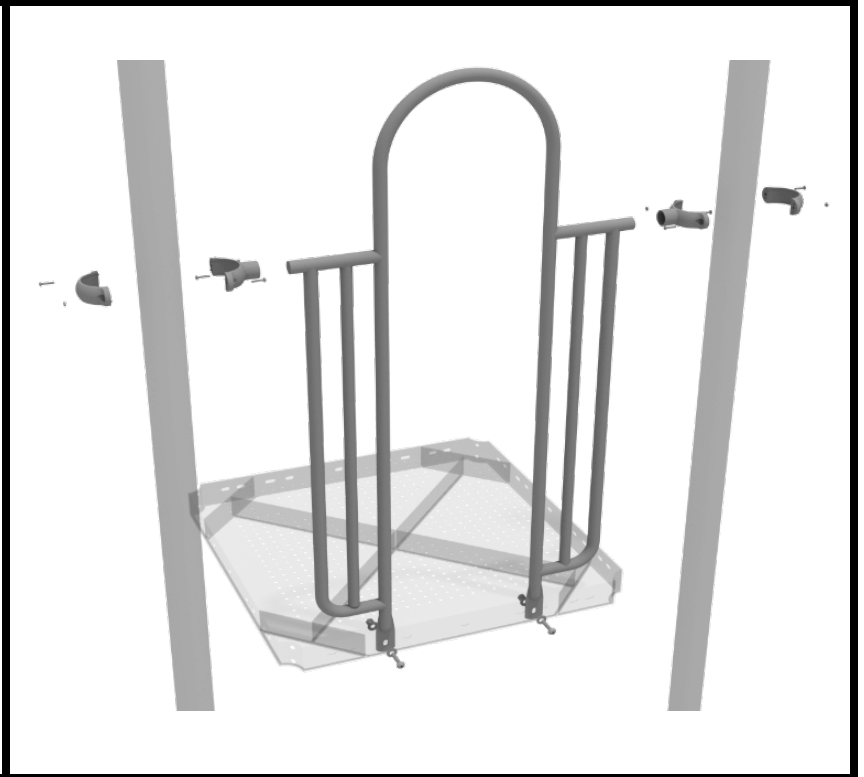
Attach the Spiral Slide Handrail to the Spiral Slide Deck using five (5) M8*60 Bolts, five (5) M8 Washers, five (5) M12 Washers, and five (5) M12 Inner Hex Nuts. Connect spiral slide panels to slide using four (4) M10*50 bolts, four (4) M10 washers, four (4) M10 lock nuts for each panel. Connect the handrails to the posts using two (2) tube clamps. Repeat this process for the other handrail.



3.5-inch 2-Clamp Arch Rail Installation

STEP: 1

Attach the Arch Rail to the designated posts by connect half of the tube clamp to the arch rail using one (1) M8*30 bolt. Repeat this process for each post attachment point. Then, attach the rail to the deck using two (2) M10*25 bolts, four (4) M10 washers, and two (2) M10 lock nuts. Finally, attach the second half of the clamp around the post.

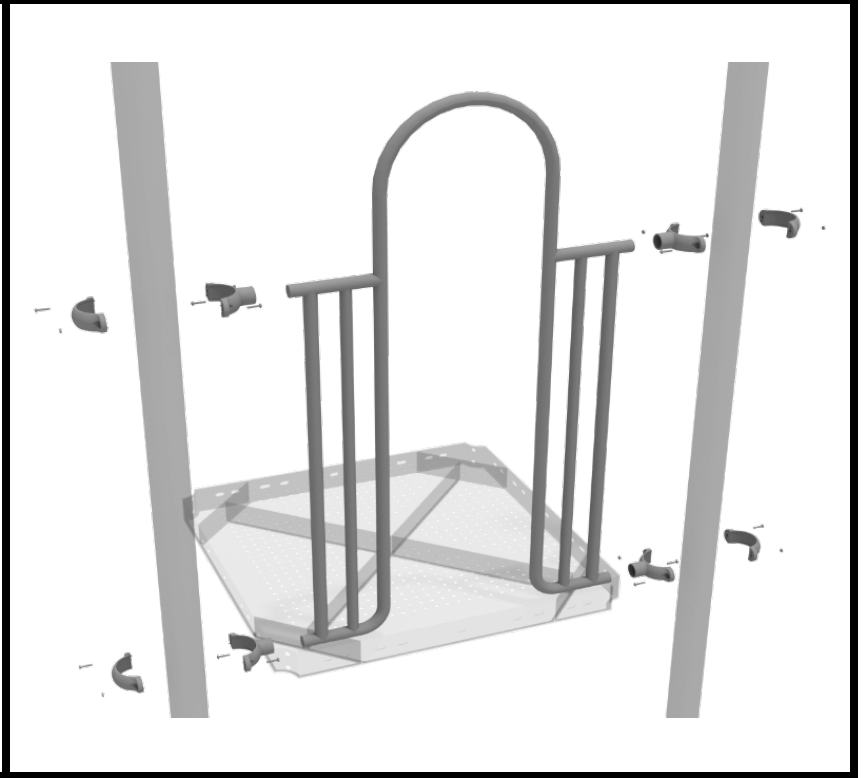


3.5-inch 4-Clamp Arch Rail Installation

STEP: 1

Attach the Arch Rail to the designated posts by connect half of the tube clamp to the arch rail using one (1) M8*30 bolt. Repeat this process for each attachment point.

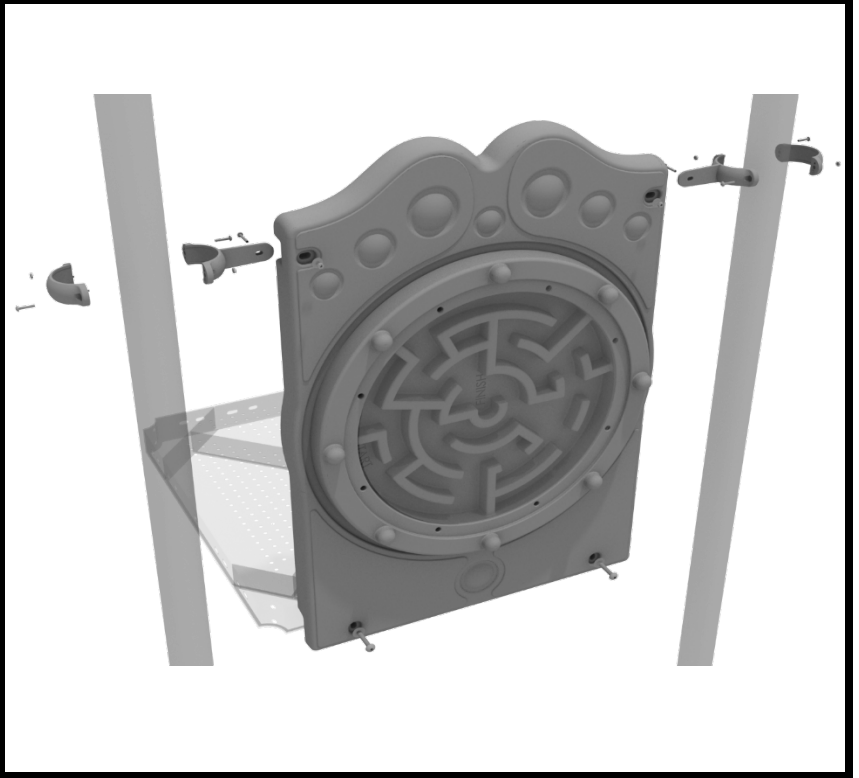
Set the arch rail into place, then attach the second half of the clamp around the post. The gap between the deck and the bottom of the rail should be no more than 3 inches.



3.5-inch Ball Maze Panel Installation

STEP: 1

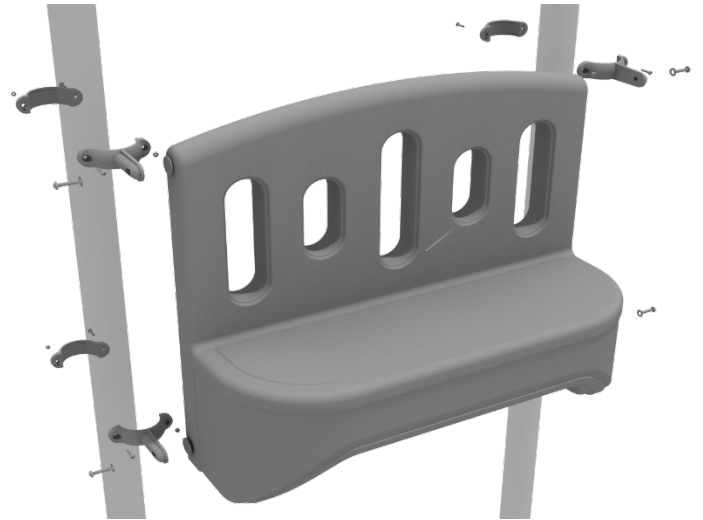
Connect the bottom of the panel to the deck using two (2) M10*50 bolts, four (4) M10 washers, and two (2) M10 lock nuts. Then attach the top of the panel to the posts using two (2) flat clamps.



3.5inch Bench Panel Installation

STEP: 1

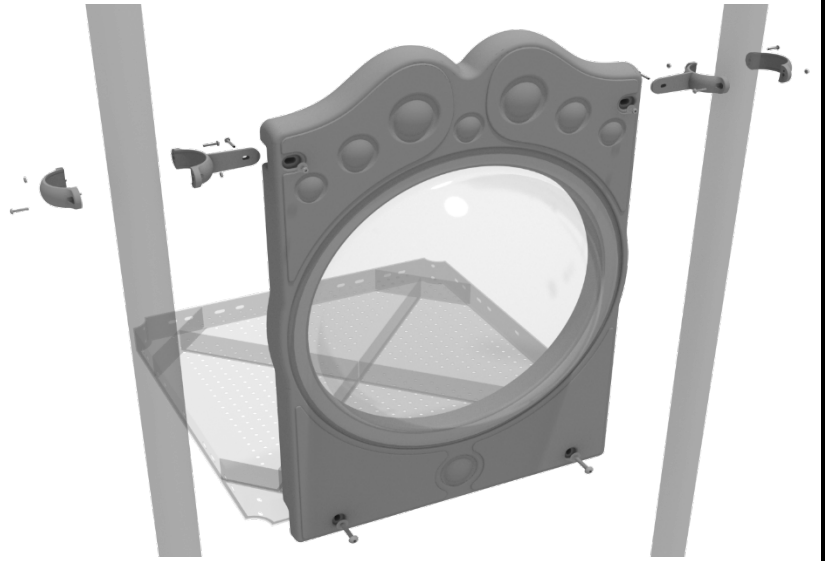
Attach the Bench Panel to the designated posts using four (4) 3.5-inch flat clamps, and four (4) M8*25 bolts.



3.5-inch Bubble Panel Installation

STEP: 1

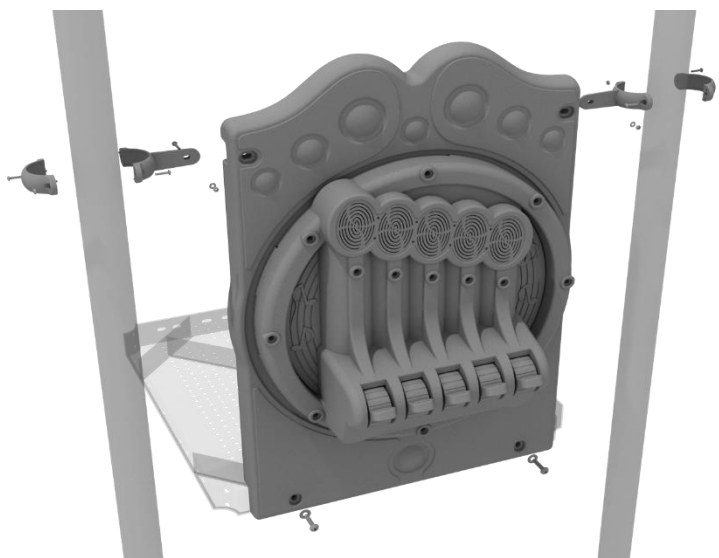
Connect the bottom of the panel to the deck using two (2) M10*50 bolts, four (4) M10 washers, and two (2) M10 lock nuts. Then attach the top of the panel to the posts using two (2) flat clamps.



3.5-inch Chime Panel Installation

STEP: 1

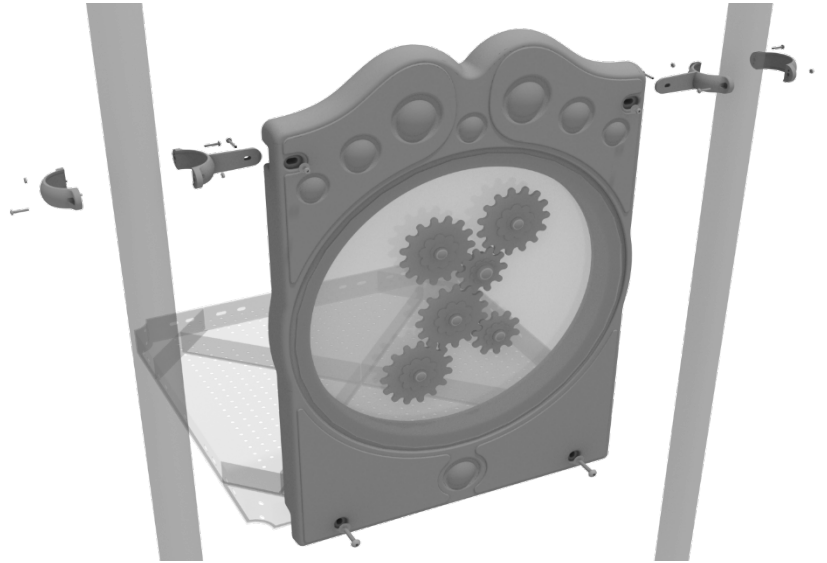
Connect the bottom of the panel to the deck using two (2) M10*50 bolts, four (4) M10 washers, and two (2) M10 lock nuts. Then attach the top of the panel to the posts using two (2) flat clamps.



3.5-inch Gear Panel Installation

STEP: 1

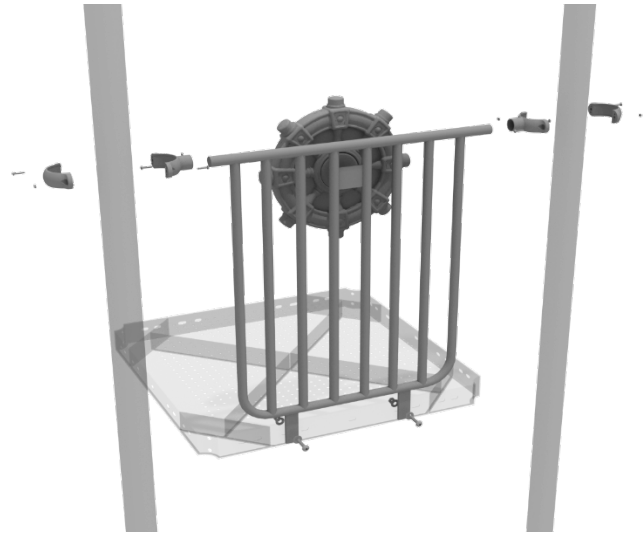
Connect the bottom of the panel to the deck using two (2) M10*50 bolts, four (4) M10 washers, and two (2) M10 lock nuts. Then attach the top of the panel to the posts using two (2) flat clamps.



3.5-inch Metal Barrier w/ wheel Installation

STEP: 1

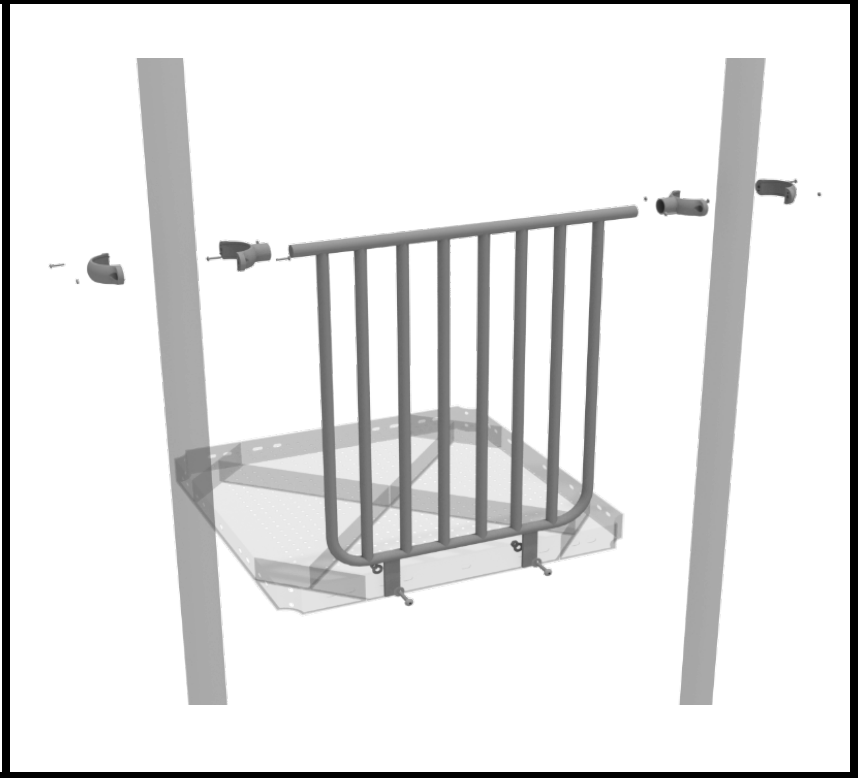
Attach the metal barrier to the designated posts using two (2) tube clamps two (2) M8*30 bolts. Then, attach the bottom of the metal barrier to the deck using two (2) M10*25 bolts, four (4) M10 washers, and two (2) M10 lock nuts.



3.5-inch Metal Barrier Installation

STEP: 1

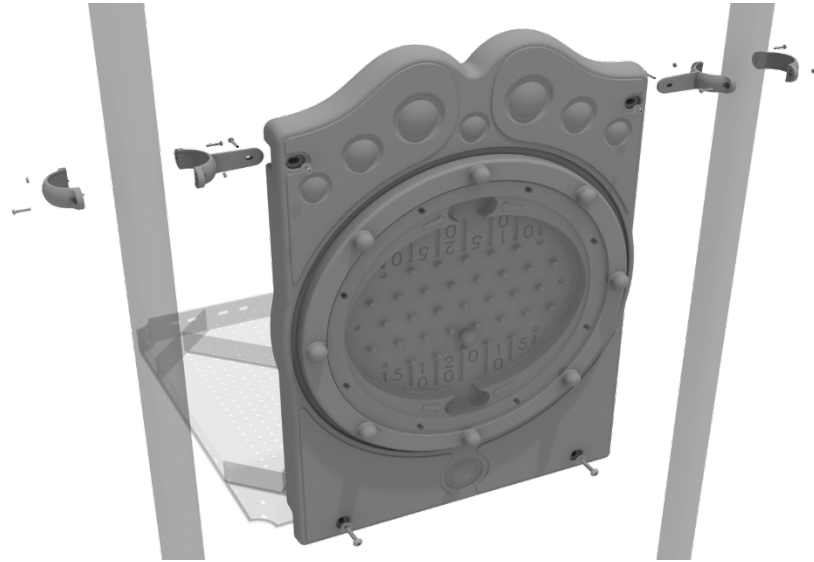
Attach the metal barrier to the designated posts using two (2) tube clamps two (2) M8*30 bolts. Then, attach the bottom of the metal barrier to the deck using two (2) M10*25 bolts, four (4) M10 washers, and two (2) M10 lock nuts.



3.5-inch Plinko Panel Installation

STEP: 1

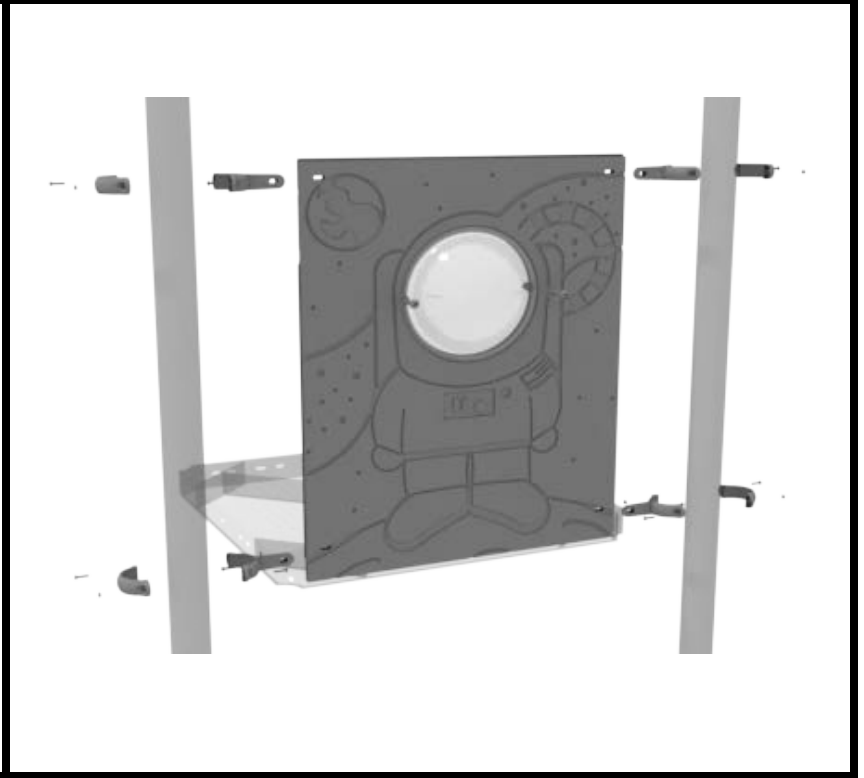
Connect the bottom of the panel to the deck using two (2) M10*50 bolts, four (4) M10 washers, and two (2) M10 lock nuts. Then attach the top of the panel to the posts using two (2) flat clamps.



3.5-Inch Space Exploration Panel Installation

STEP: 1

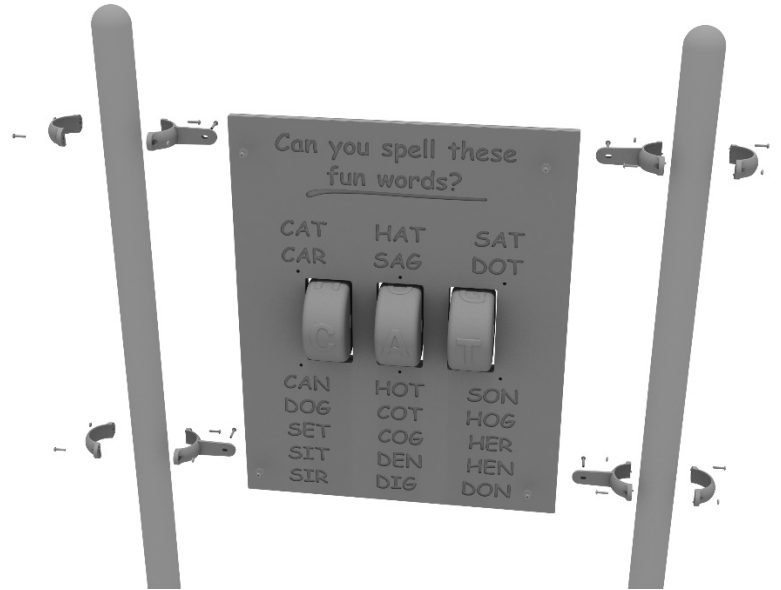
Connect the bottom of the panel to the deck using two (4) M10*50 bolts, four (8) M10 washers, and two (4) M10 lock nuts. Then attach the top of the panel to the posts using two (4) flat clamps.



3.5-inch Spelling Panel Installation

STEP: 1

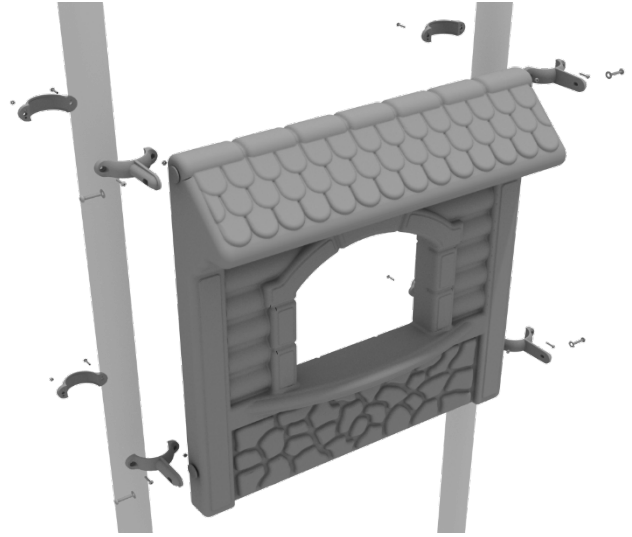
Connect the Spelling Panel to the designated post using four (4) 3.5-inch flat clamps.



3.5-inch Store Panel Installation

STEP: 1

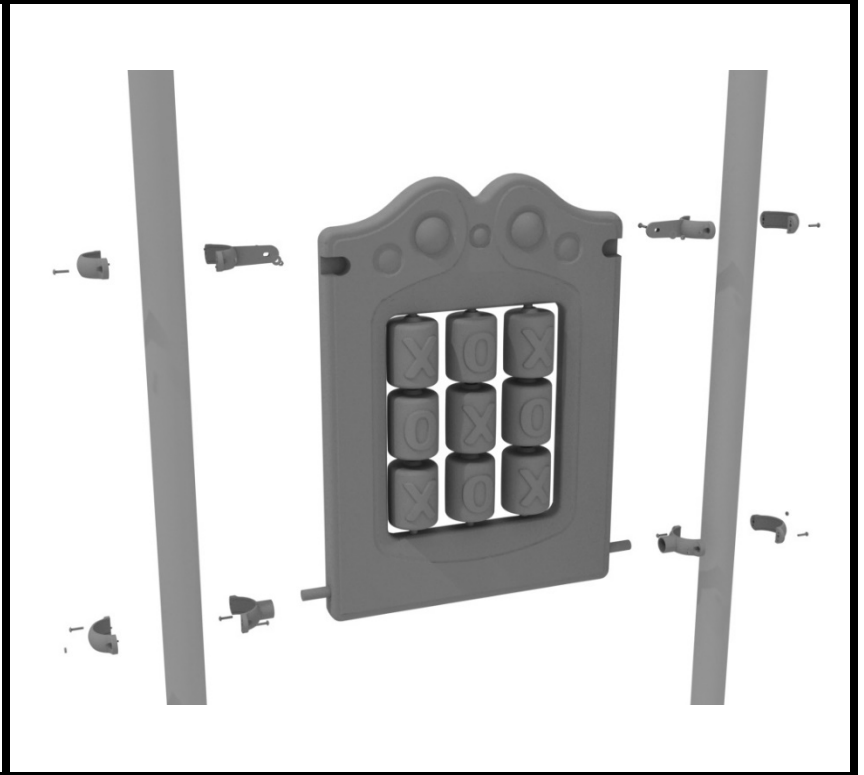
Attach the Store Panel to the designated posts using four (4) 3.5-inch flat clamps, and four (4) M8*25 bolts.



Tic Tac Toe Panel Installation

STEP: 1

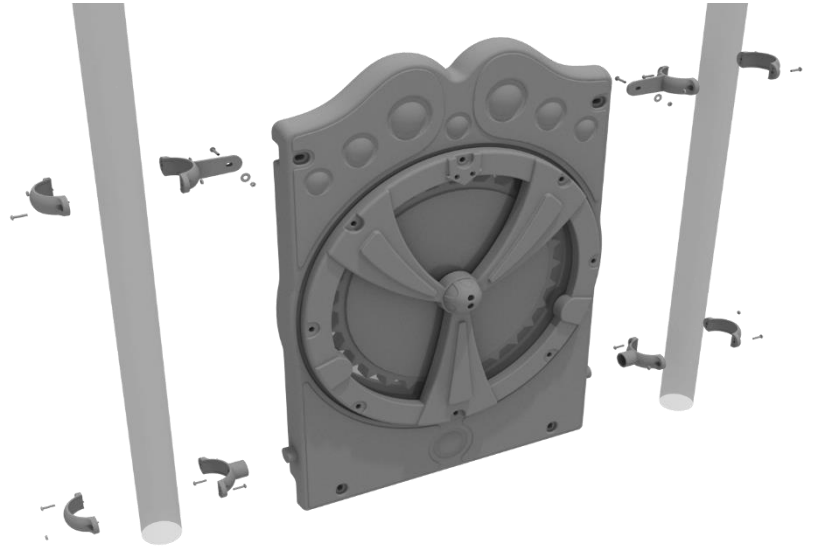
Attach the Tic Tac Toe Panel to the designated posts using two (2) flat clamps for the top of the panel, and two (2) tube clamps for the bottom of the panel.



Wheel of Activity Panel Installation

STEP: 1

Attach the Wheel of Activity Panel to the designated posts using two (2) flat clamps for the top of the panel, and two (2) tube clamps for the bottom of the panel.



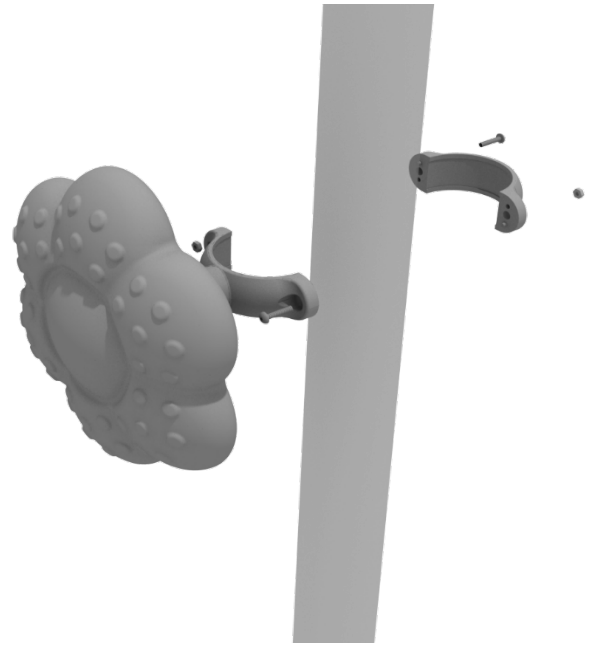
Rain Wheel Installation

Detach half of the tube clamp connected to the Rain Wheel, and re-attach the clamp around the support post, as shown in the picture.

Recommended install height is 20 to 36 inches above surfacing depending on age range.

We recommend using Thread-locking fluid on bolts connecting Rain wheel to clamp to prevent hardware from loosening over time.

(Thread-locker not supplied)

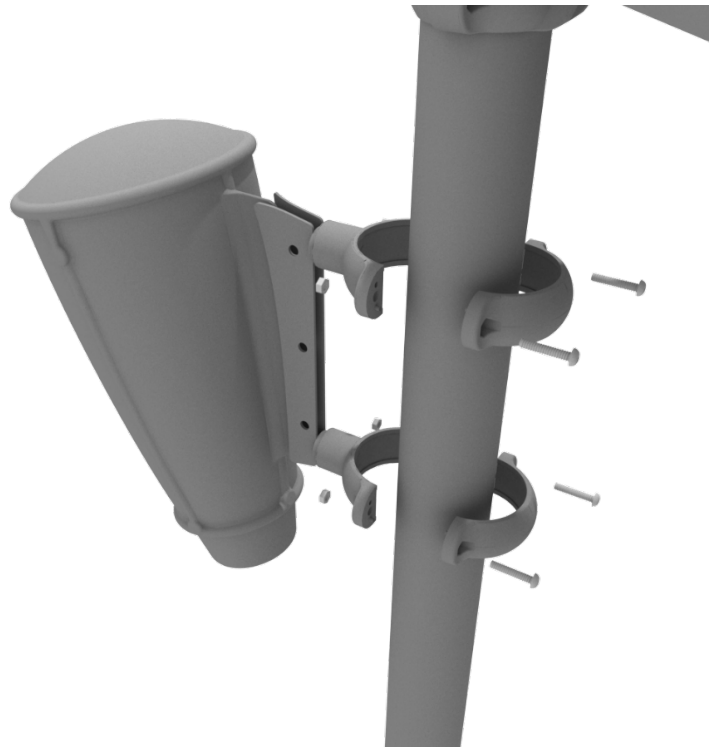


Single Drum Installation

Detach half of the tube clamps connected to the Single Drum, and re-attach the clamps around the support post, as shown in the image. Recommended install height is 20 to 36 inches above surfacing depending on age range.

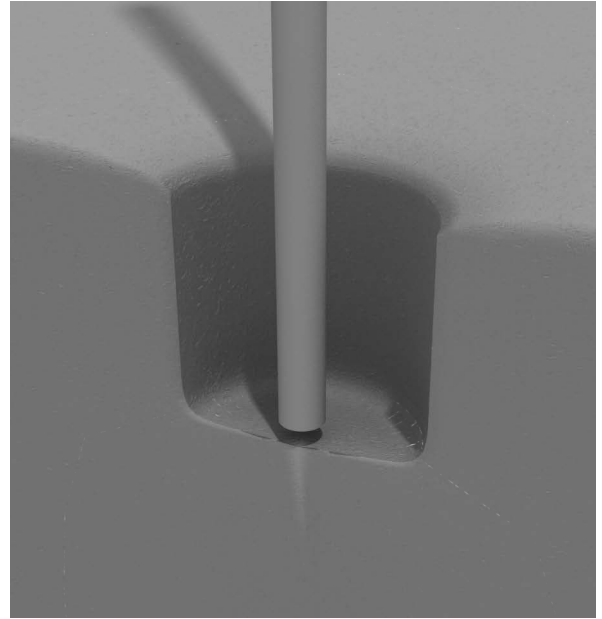
We recommend using Thread-locking fluid on bolts connecting Single Drum to clamp to prevent hardware from loosening over time.

(Thread-locker not supplied)



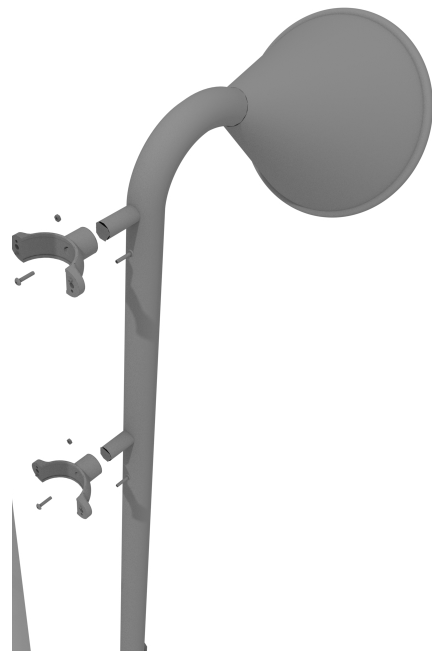
STEP 1

Dig proper holes for the 3.5-inch support posts, and cement them into the ground. Refer to the General Information Guide footing information.



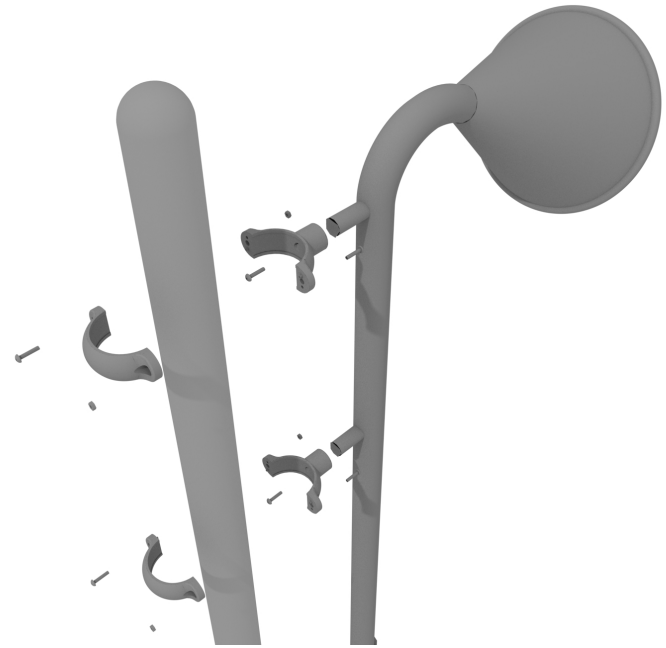
STEP 2

Attach the first half of the 3.5-inch tube clamp to the talk tube post by sliding the end of the clamp over the nob extending from the talk tube post.



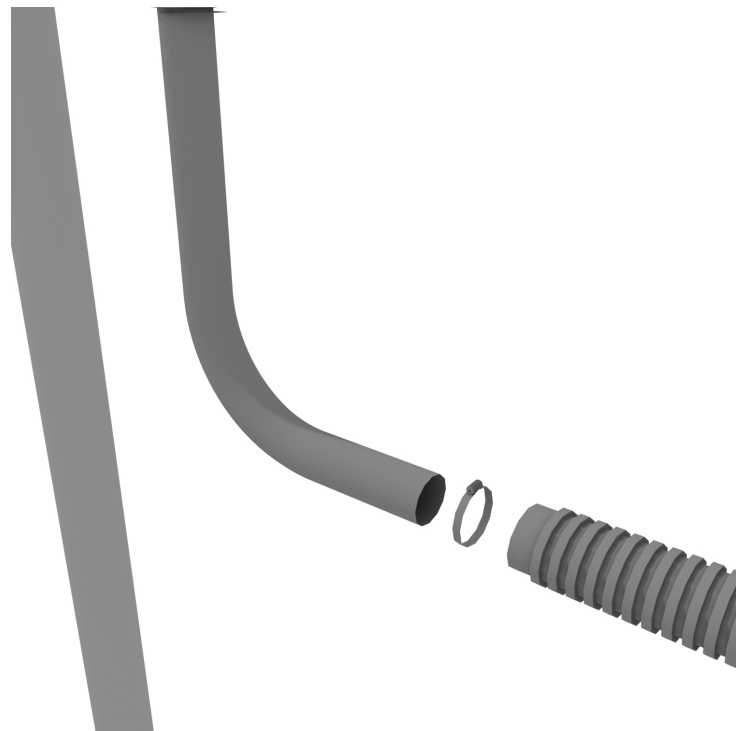
STEP 3

Loosely attach a talk tube post to each support post using the tube clamp and the bolts and nuts provided in the clamp hardware bag.



STEP 4

Connect the corrugated tubing to the end of one talk tube post using the provided hose clamp. Repeat this process for the other talk tube post. The corrugated tube should be laid out as straight as possible to ensure best sound quality.



STEP 5

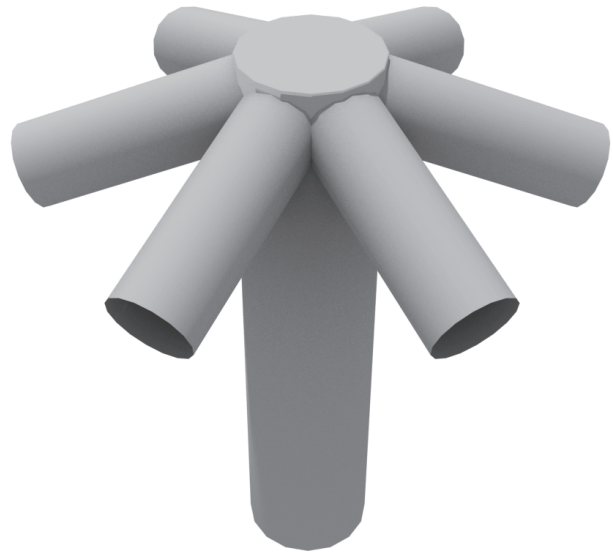
After the tubing is laid out and attached, finish tightening all bolts on each tube clamp.



Hex Shade Install

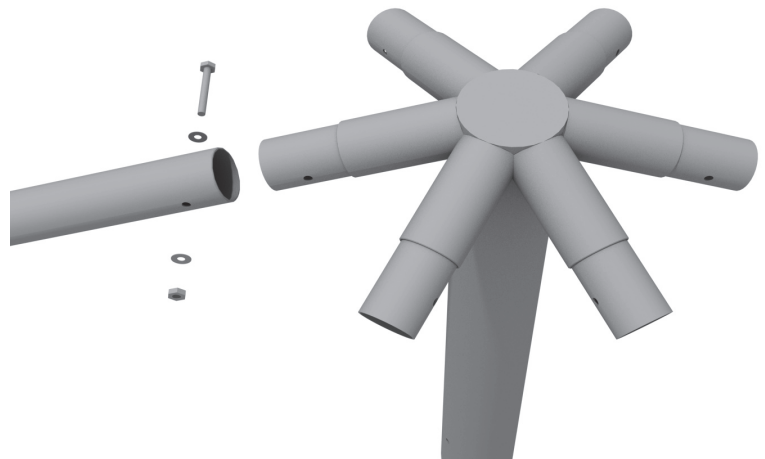
STEP: 1

Secure Hex Shade Center Elbow to designated post on structure.
Using two (2) M10*150 Hex Bolts, four (4) M10 Washers, two (2) M10 Lock Nuts and four (4) Bolt covers with cap.



STEP: 2

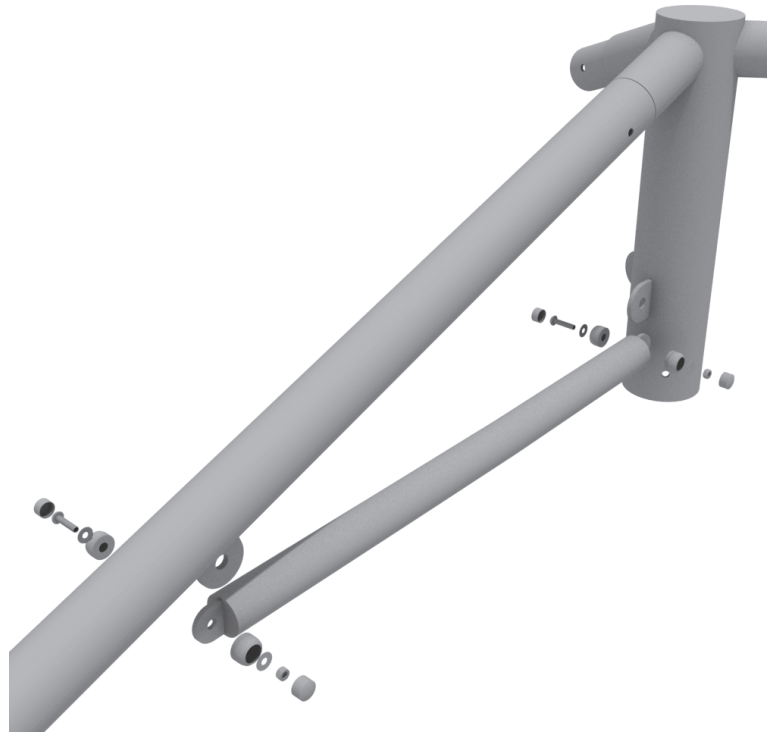
Connect and secure Shade Arm to Hex Shade Center Elbow using one (1) M10*90 bolt, two (2) M10 Washers, one (1) M10 Lock Nut. Repeat step for remaining Shade Arms.



Hex Shade Install

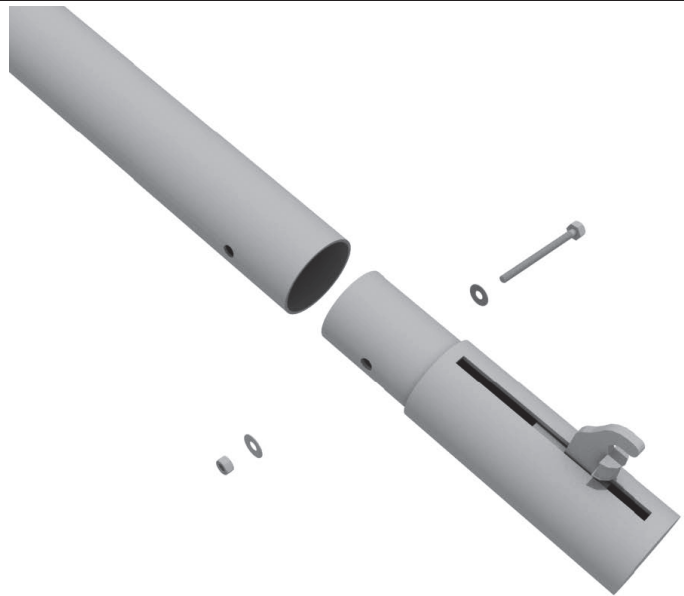
STEP: 3

Connect Shade Arm support to Shade Arm and Hex Shade Center Elbow using two (2) M10*35 bolts, four (4) M10 Washers, two (2) M10 Lock Nuts and four (4) bolt covers with cap.
Repeat step for remaining Shade Arm Supports.



STEP: 4

Connect Glide Elbow to Shade Arm using one (1) M10*90 bolt, two (2) M10 Washers, one (1) M10 Lock Nut. Repeat step for remaining Glide Elbows.



Hex Shade Install

STEP: 5

Slide Shade fabric over Glide Elbow hook. To tighten, use drive head to stretch and tighten shade fabric.

