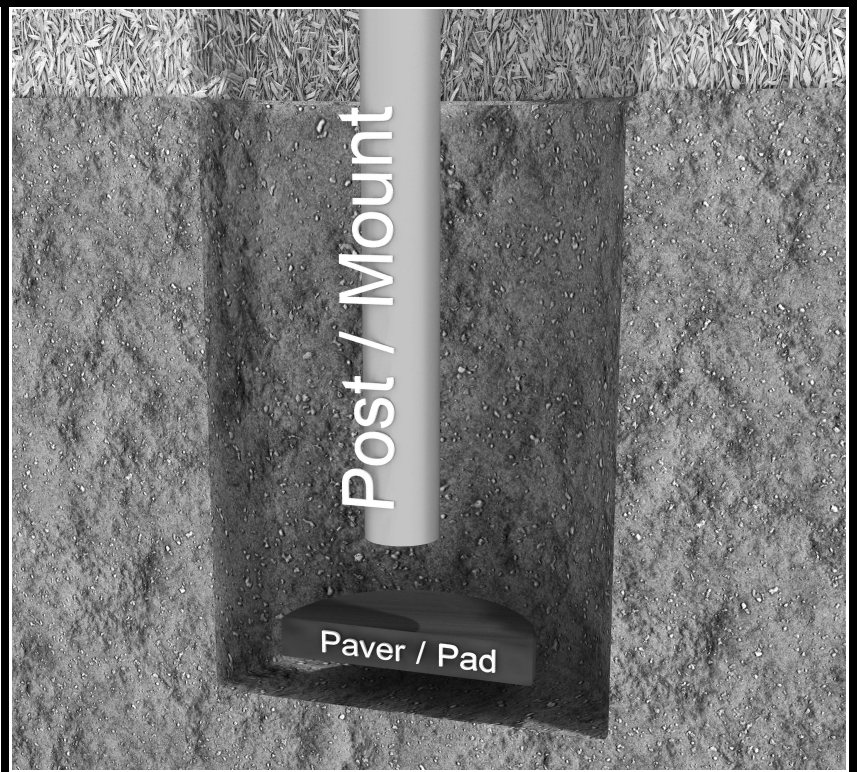


Inground Post/Mount Installation

STEP: 1

DO NOT CEMENT POSTS/MOUNTS INTO PLACE UNTIL THE ENTIRE STRUCTURE IS ASSEMBLED.

Refer to the General Installation guide footing size information and digging proper holes for the support posts/mounts.



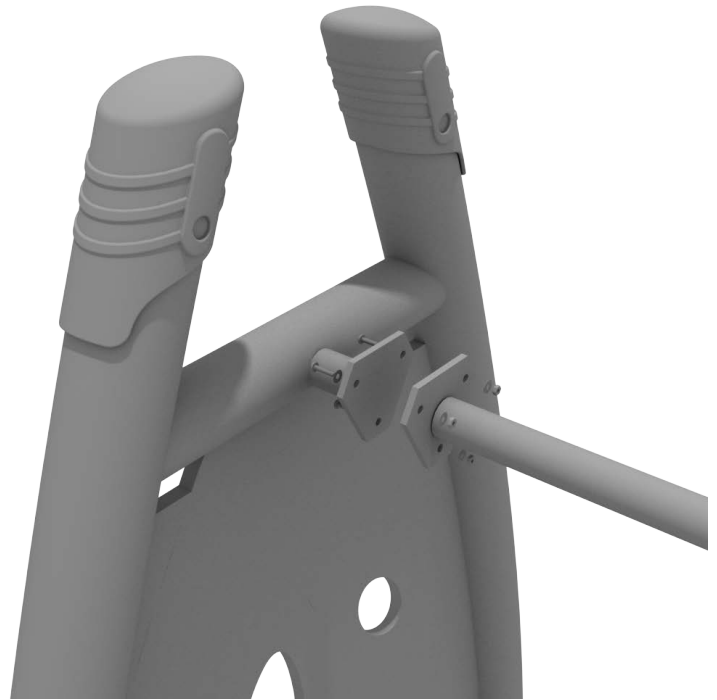
10859 E Washington St. Suite 200
Indianapolis, IN 46229
1-800-667-0097

Created By: Gage Brown
Date: 04/26/2018

Get Physical Series – Standard Attachment Point Installation

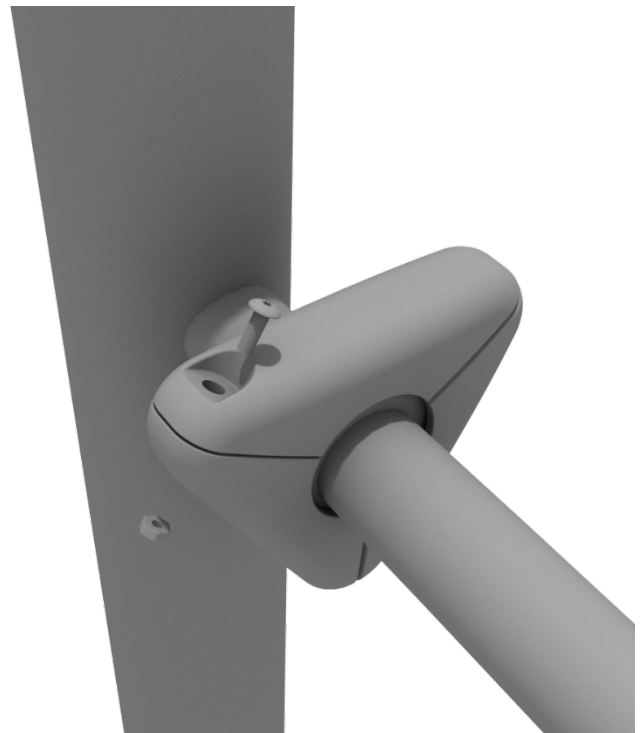
STEP: 1

Most components of a Get Physical series structure attach using this standard attachment point. Use three (3) M10*25 bolts, six (6) M10 washers, and three (3) M10 lock nuts.

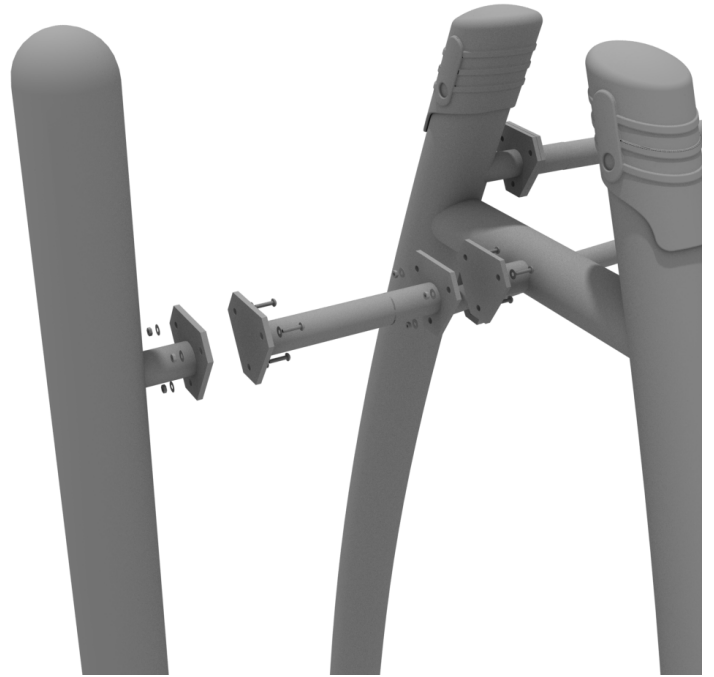


STEP: 2

Each of these attachment points has a rubber cover to protect the bolts. Attach the cover and secure using the pre-attached M8*40 bolt and M8 lock nut.



To connect any Get Physical Arch posts together. Refer to the Standard Attachment Point install section for more detailed information.



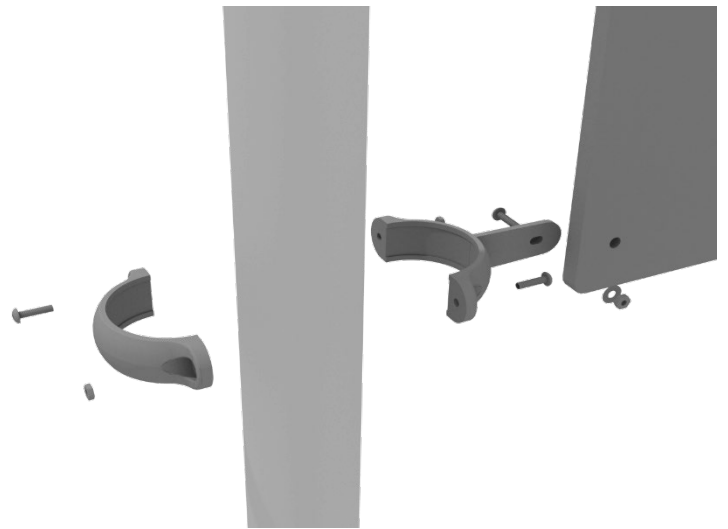
4.5-inch Clamp Installation Examples

The following two pages will include examples of how to install some of the most common types of Clamps that are present on our structures that use 4.5-inch outside diameter posts. The structure that you are assembling might not require all the types of clamps listed in these examples.

The Install Guides for specific components that come later in this document might call for a specific type of clamp (a tube clamp for example), those sections will not include detailed instructions for the clamps and should direct you back to this section for more detailed information.

4.5-inch Flat Clamp Installation Example

Connect half of the flat clamp to the component using one (1) M8*30 bolt and Lock Nut. Then, using the other half of the flat clamp and the hardware provided in the clamp hardware bag, attach the backside of the flat clamp around the post.



4.5-inch Clamp Installation Examples

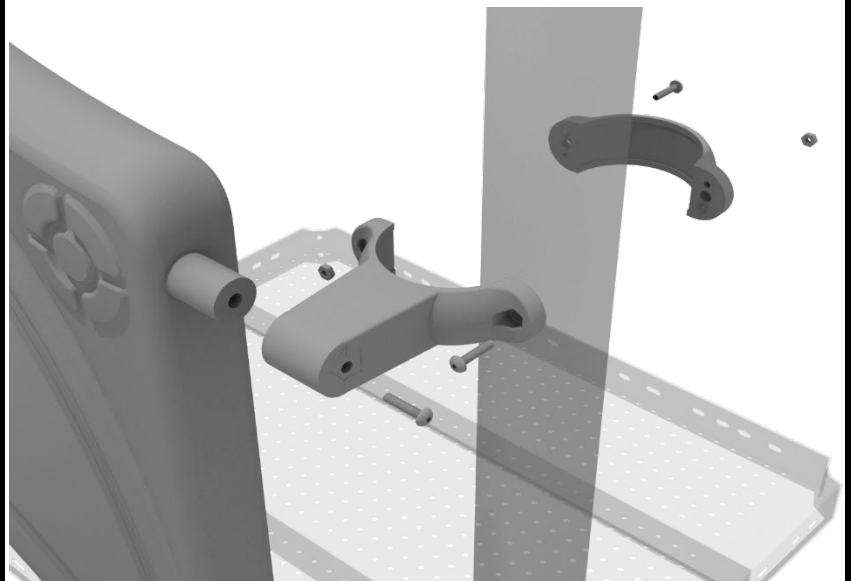
4.5-inch Tube Clamp Installation Example

Insert Bar on Component into one half of the Tube Clamp and attach with M4*25 Set Screw. Then, using the other half of the tube clamp and the hardware provided in the clamp hardware bag, attach the backside of the tube clamp around the post.



4.5-inch Double Slide Clamp Installation Example

Connect half of the double slide clamp to the double slide hood using one (1) M8*30 bolt. Then, using the other half of the clamp and the hardware provided in the clamp hardware bag, attach the backside of the double slide clamp around the post.



Square Deck Installation

STEP: 1

After the posts are in place, using four (4) M10*35 Bolts, eight (8) M10 Washers, and four (4) M10 Lock Nuts, attach each square deck to each pre-attached deck clamp as shown in the image.

Deck clamps are pre-attached to the posts and should not be altered in any way.



Triangle Deck Installation

STEP: 1

After the posts are in place, using three (3) M10*35 bolts, six (6) M10 washers, and three (3) M10 lock nuts, attach the triangle deck to each pre-attached deck clamp as shown in the image.

Deck clamps are pre-attached to the posts and should not be altered in any way.



Half Hex Deck Installation

STEP: 1

After the posts are in place, using five (5) M10*35 bolts, ten (10) M10 washers, and five (5) M10 lock nuts, attach the deck to each pre-attached deck clamp as shown in the image.

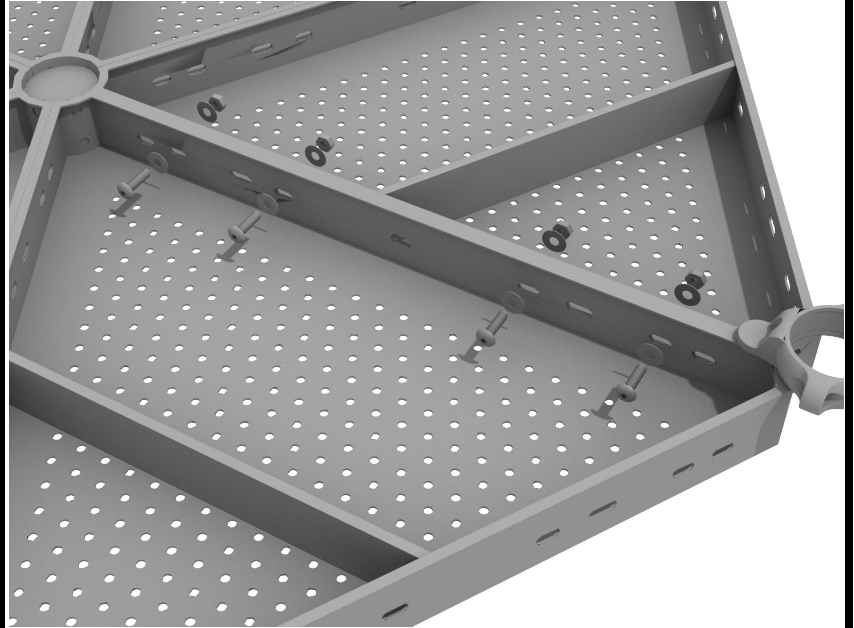
Deck clamps are pre-attached to the posts and should not be altered in any way.



Half Hex Deck Connect to Half Hex Deck

STEP: 1

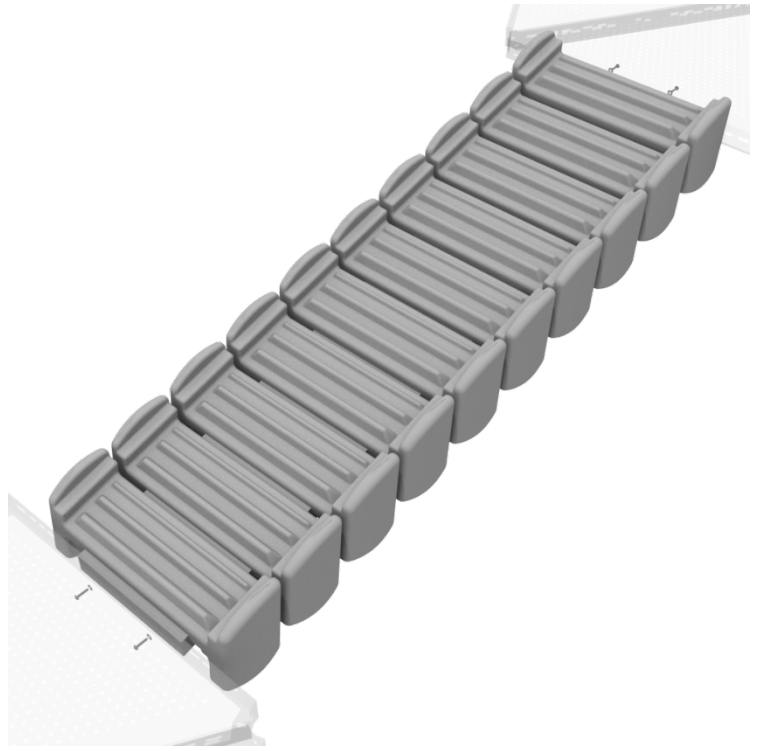
When installing decks that are adjacent to one another at the same height, they should be bolted together. On the underside of the deck, install using four (4) M10*25 Bolts, eight (8) M10 Washers, and four (4) M10 Lock Nuts. Repeat this process for every set of adjacent decks.



Inclined Bones Bridge Install

STEP: 1

Using four (4) M10*30 bolts, eight (8) M10 washers, and four (4) M10 lock nuts, attach each bottom bones bridge to the proper decks.



STEP: 2

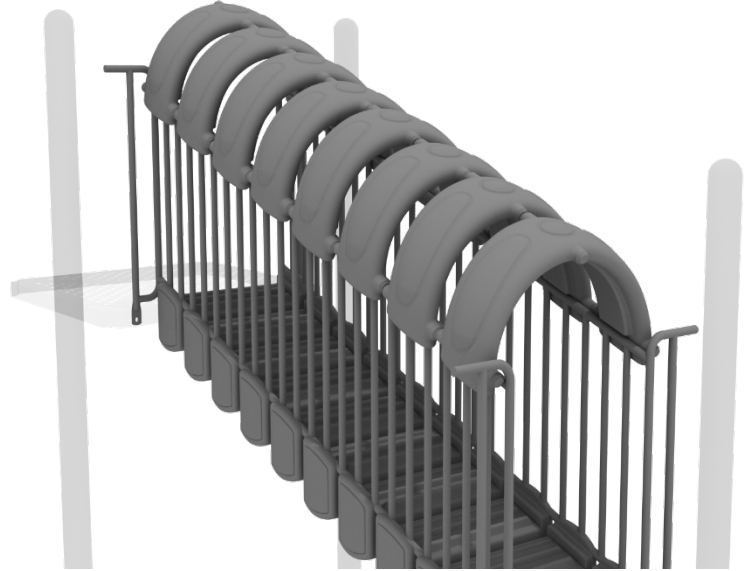
Once the bridge is attached, connect half of each 4.5-inch tube clamp to the bridge handrail using one (1) M4*25 self-tapping screw. Then, using two (2) M10*25 bolts, four (4) M10 washers, and two (2) M10 lock nuts, attach the bottom of the bridge handrails to the deck. Repeat these steps for the remaining bones bridges and bridge handrails.



Inclined Covered Bones Bridge Install

STEP: 3

Place the Incline Bones Bridge Roof onto the railings.



STEP: 4

Using four (4) M4*25 set screws, attach the Incline Bones Bridge Roof to the railings.



Inclined Bones Bridge Install

STEP: 1

Using four (4) M10*30 bolts, eight (8) M10 washers, and four (4) M10 lock nuts, attach each bottom bones bridge to the proper decks.



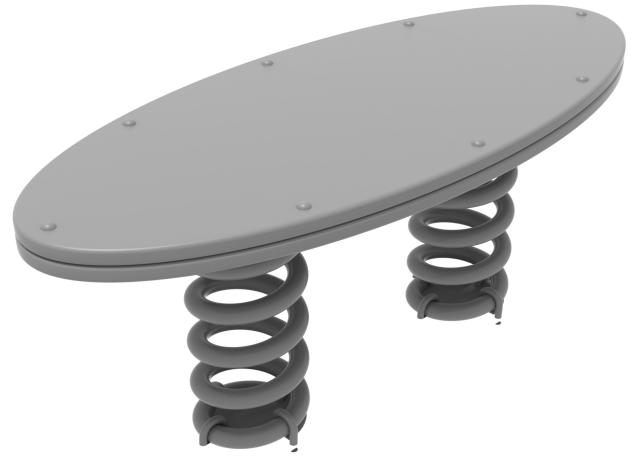
STEP: 2

Once the bridge is attached, connect half of each 4.5-inch tube clamp to the bridge handrail using one (1) M4*25 self-tapping screw. Then, using two (2) M10*25 bolts, four (4) M10 washers, and two (2) M10 lock nuts, attach the bottom of the bridge handrails to the deck. Repeat these steps for the remaining bones bridges and bridge handrails.



Spring Board Installation

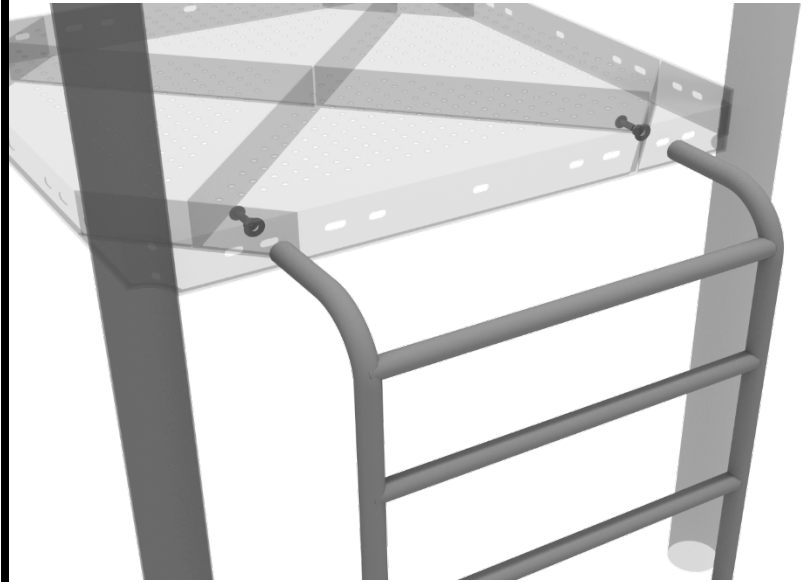
See general installation guide regarding footing information. Spring board requires a 12" x 18" footing.



3-foot Vertical Ladder Installation

STEP: 1

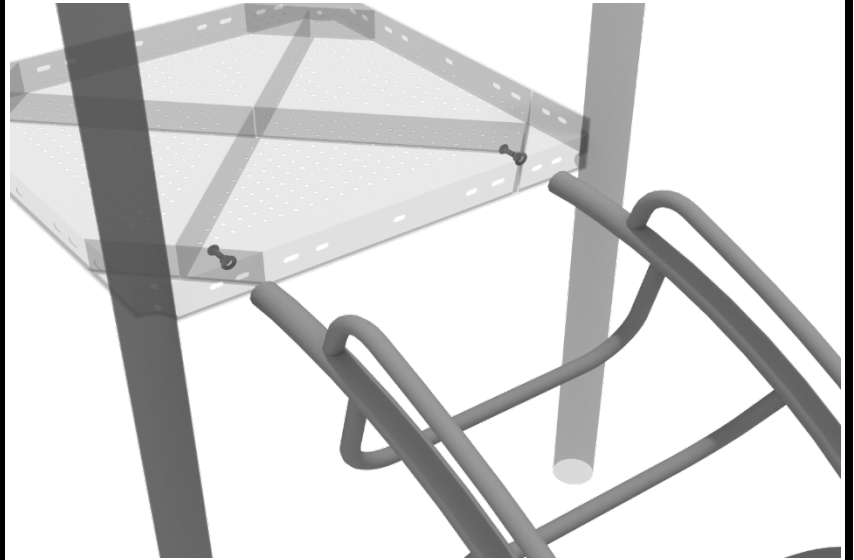
See general installation guide regarding footing information for the 3-foot Vertical Ladder. Attach the ladder to the deck using two (2) M10*25 bolts, two (2) M10 spring washers, and two (2) M10 washers.



Inverted Arch Climber Installation

STEP: 1

See general installation guide regarding footing information for the Inverted Arch climber. Attach the climber to the deck using two (2) M10*25 bolts, two (2) M10 spring washers and two (2) M10 washers.

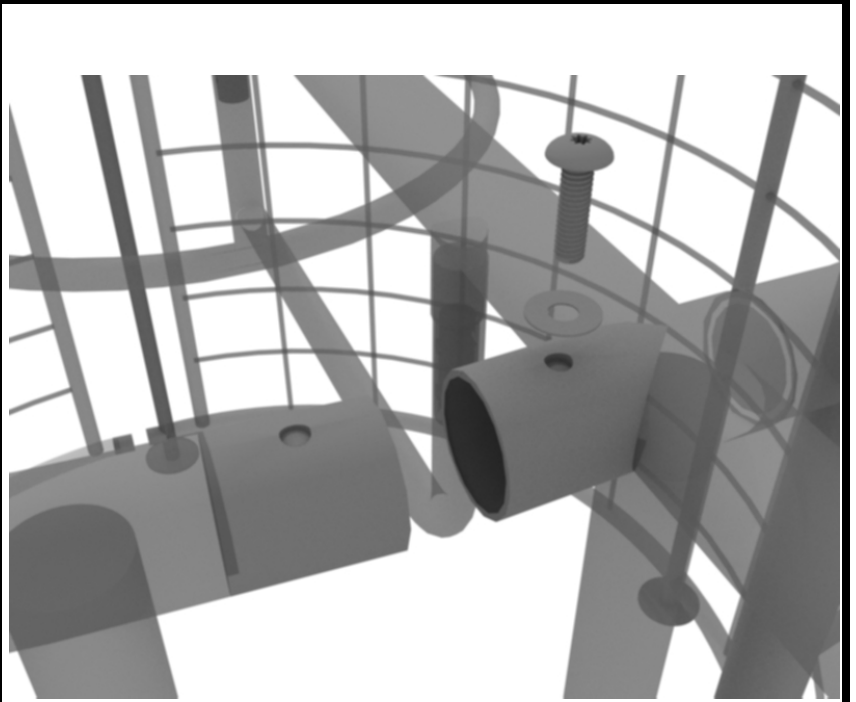


360 Degree Net Climber Installation

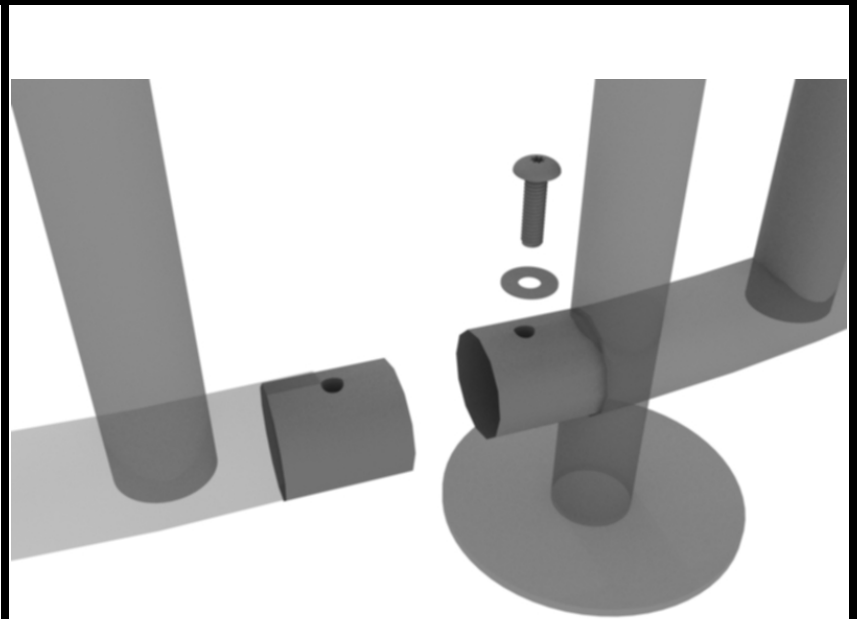
STEP: 1

Connect the net half sections together and attach them by using one (1) M10*20 bolt and one (1) M10 washer and nut.

Reference the image of step two and repeat step one for the lower attachment points.



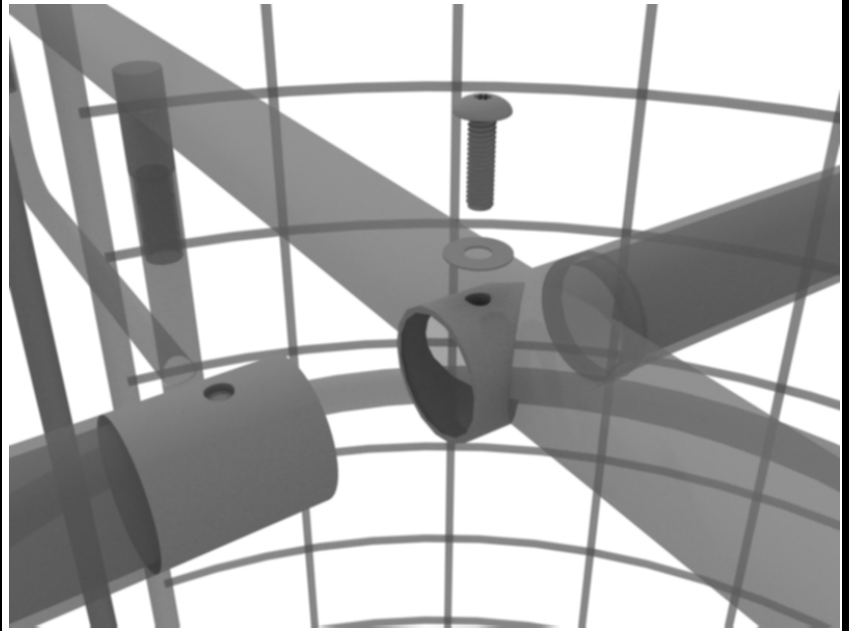
STEP: 2



360 Degree Net Climber Installation

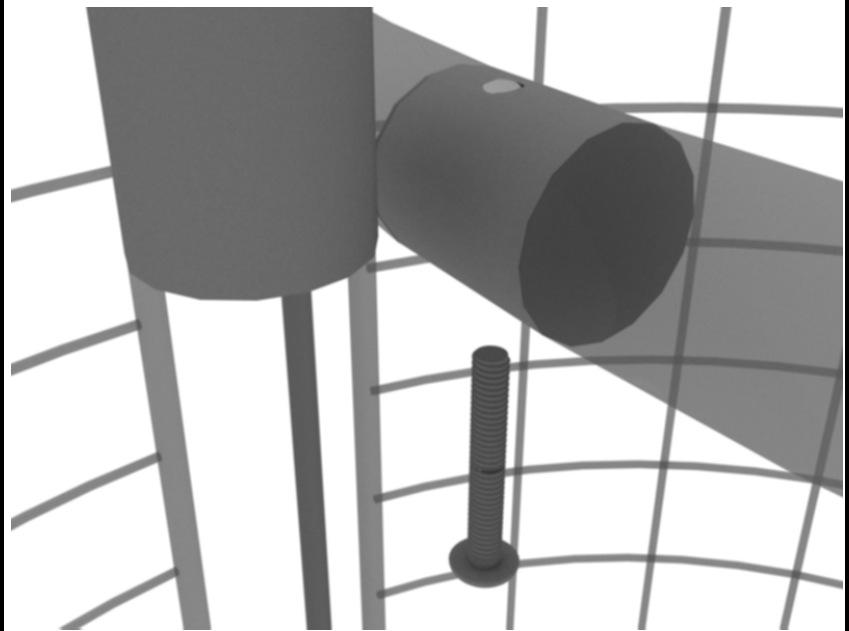
STEP: 3

Connect the center attachment point by using one (1) M10*20 bolt and a M10 washer.



STEP: 4

Connect the center post to the middle support ring with one (1) M10*50 bolt.

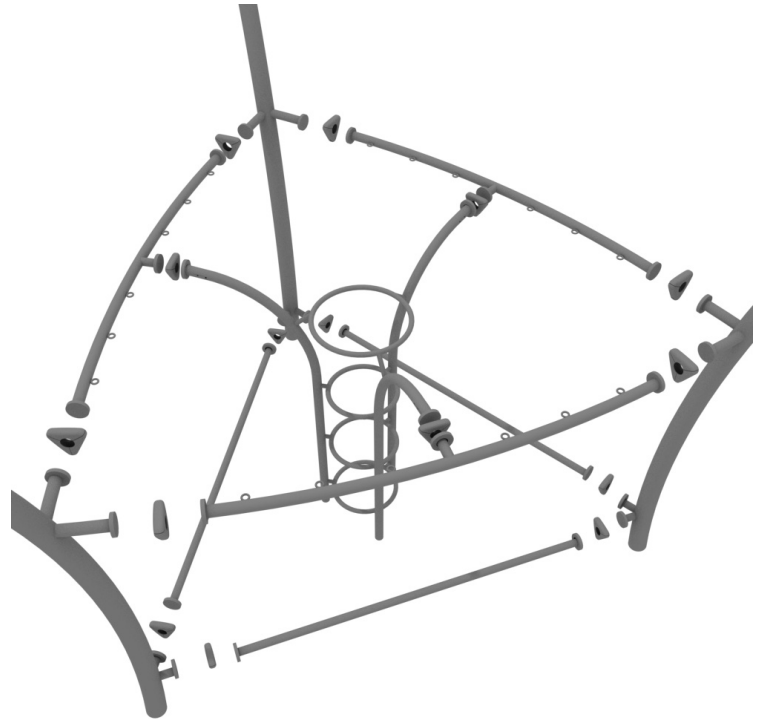


Combination Manhole Climber with Side Nets Install

STEP: 1

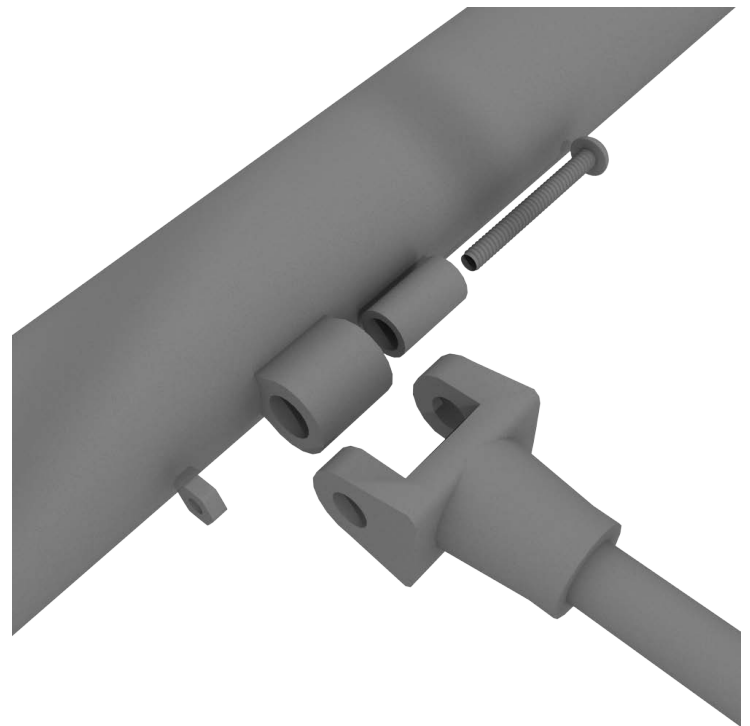
The Combination Manhole Climber will attach to the support posts via the Standard Attachment Points.

For detailed info see the Standard Attachment Point guide at the beginning of this document.



STEP: 2

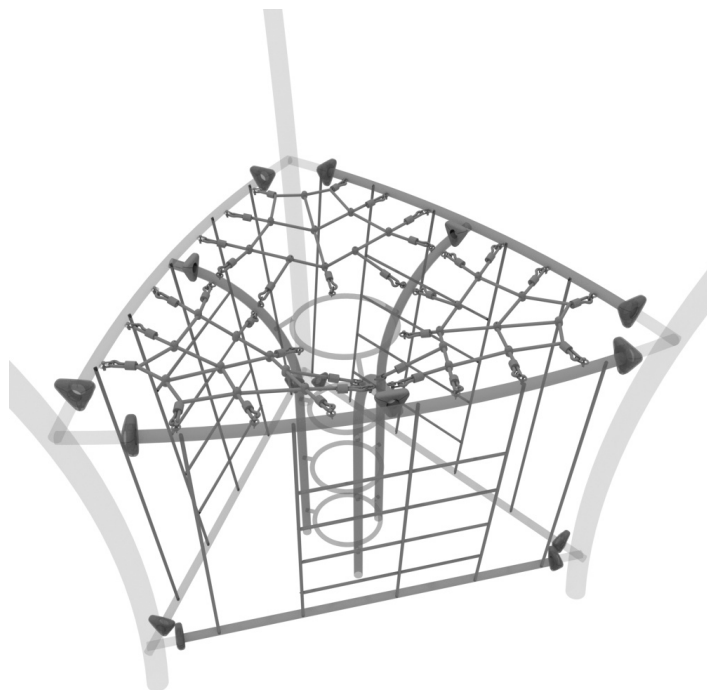
Connect the nets to the outer frame using one (1) M8*50 bolt, one (1) plastic spacer, and one (1) M8 lock nut for each attachment point.



Combination Manhole Climber with Side Nets Install

STEP: 3

Repeat step 2 until all attachment points are connected.

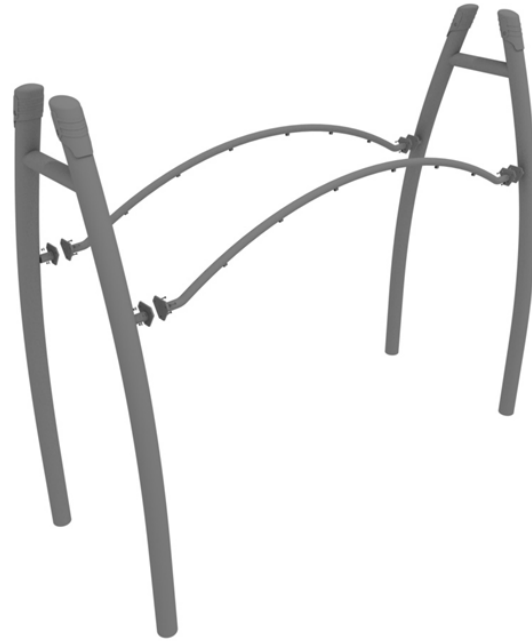


Floating Net Bridge Install

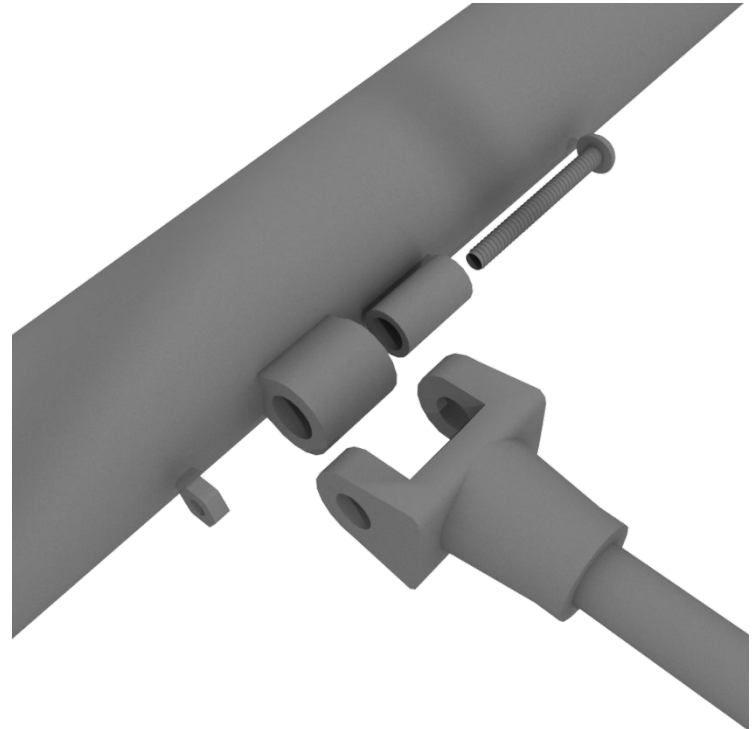
STEP: 1

Connect the Floating Net Bridge handrails to the designated post using Standard Attachment points.

Refer to the Standard Attachment Point install section for more detailed information.



Connect the net to the outer frame using one (1) M8*50 bolt, one (1) plastic spacer, and one (1) M8 lock nut for each attachment point.



Floating Net Bridge Install

Using one (1) M10*90 bolt, two (2) M10 washers, one (1) M10 Lock nut and bolt cover with cap attach net to bottom of floating Bridge for each connecting point.

Connect top of net to bridge handrails using one (1) M10*55 bolt, one (1) spacer, two (2) M10 washers and one M10 Lock Nut for each connection point.



Using the last four (4) longer M10*75 Bolts and accompanying locknuts, secure the last two Crossbar Supports to the unit.

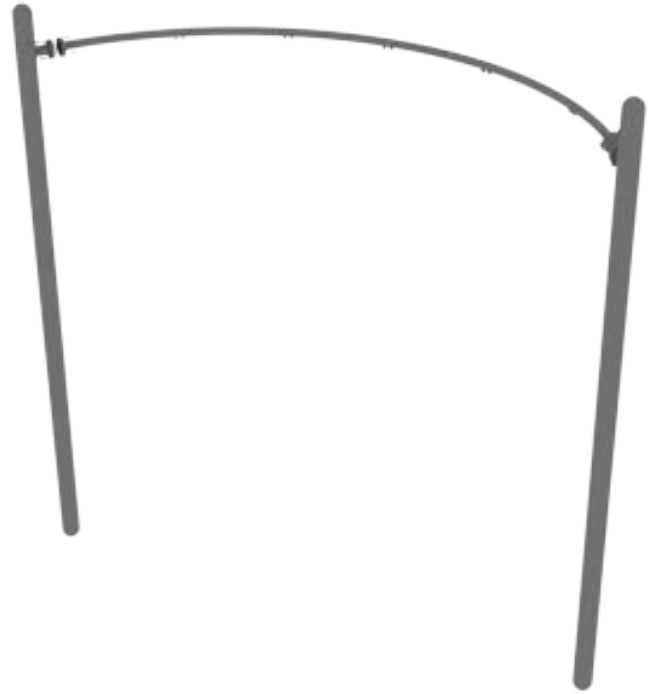


Get Physical Series – Curved Pebble Bridge Install

STEP: 1

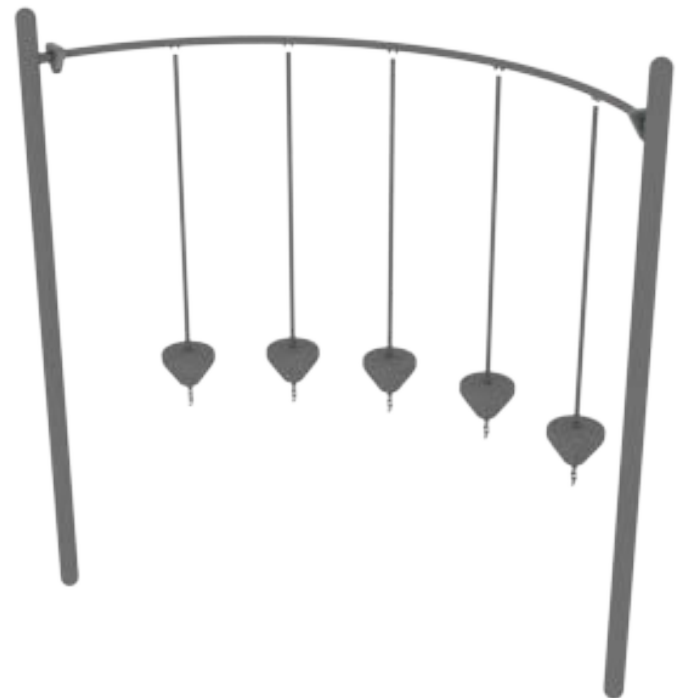
Connect the Curved Pebble Bridge top rail to the appropriate posts via the Standard Attachment Point.

Refer to the Standard Attachment Point install section for more detailed information.



STEP: 2

Dig suitable footings for each of the pebble steps. Please refer to the footing section for climbers in the General Installation Instructions document.



STEP: 3

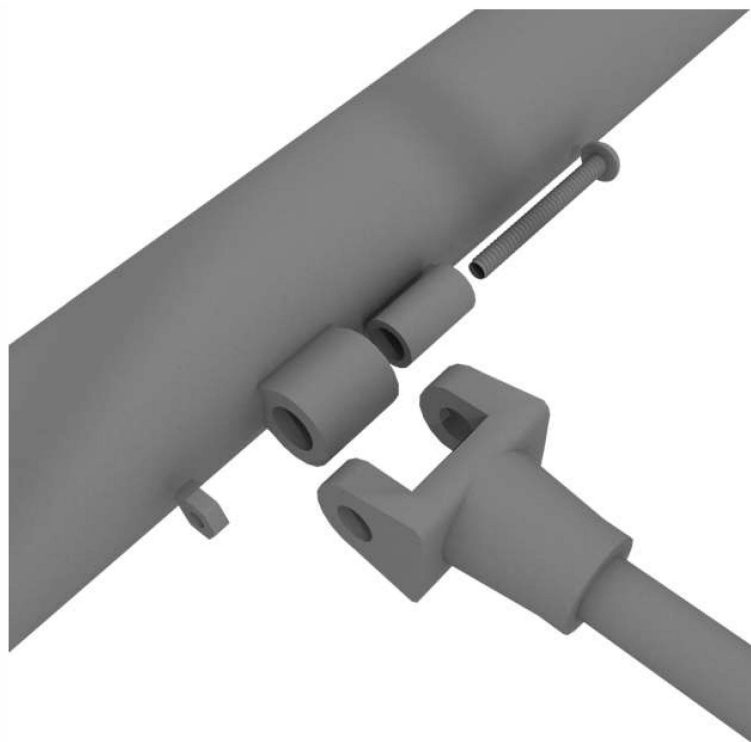
Each of the pebble steps will attach to the top rail using one (1) M10*55 bolt, two (2) M10 washers, and one (1) M10 lock nut.



Floating Tunnel Climber Install

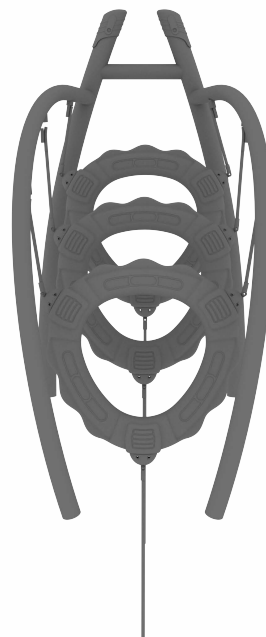
STEP:1

Connect the floating rings to the outer frame using one (1) M8*50 bolt, two (2) plastic spacers, and one (1) M8 lock nut for each attachment point.



STEP:2

Repeat this step for remaining floating rings.



Floating Tunnel Climber Install

STEP: 3

Dig suitable footings for the in-ground mount. Concrete floating ring chain with mount into place at appropriate depth. Follow guidelines from Concrete manufacturer for amount / time of curing, etc

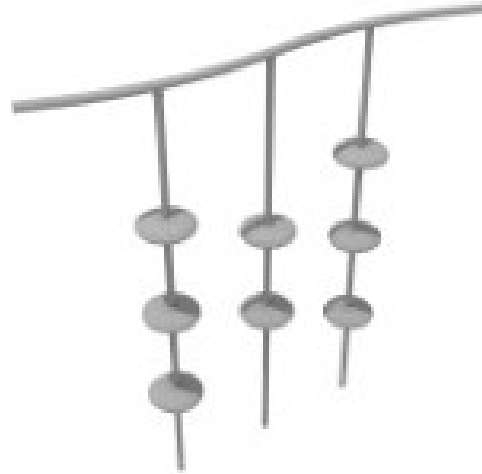


Lily Pad Challenge Bridge Install

STEP: 1

Connect the Lily Pad Challenge Bridge top rail to the appropriate posts via the Standard Attachment Point.

Refer to the Standard Attachment Point install section for more detailed information.



STEP: 2

Dig suitable footings for each of the pebble steps. Please refer to the footing section for climbers in the General Installation Instructions document.

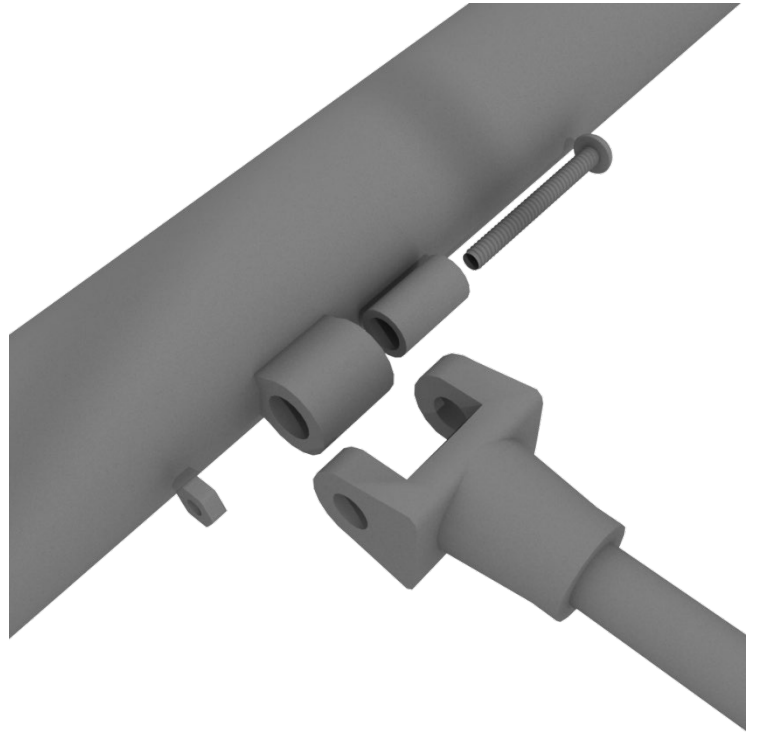
STEP: 3

Each of the Lily Pad step will attach to the top rail using one (1) M10*55 bolt, two (2) M10 washers, and one (1) M10 lock nut.



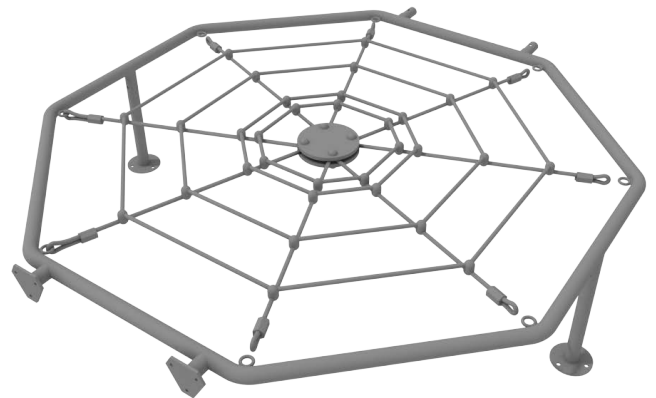
Hexagonal Spider Net Install

Connect the net to the outer frame using one (1) M8*50 bolt, one (1) plastic spacer, and one (1) M8 lock nut for each attachment point.



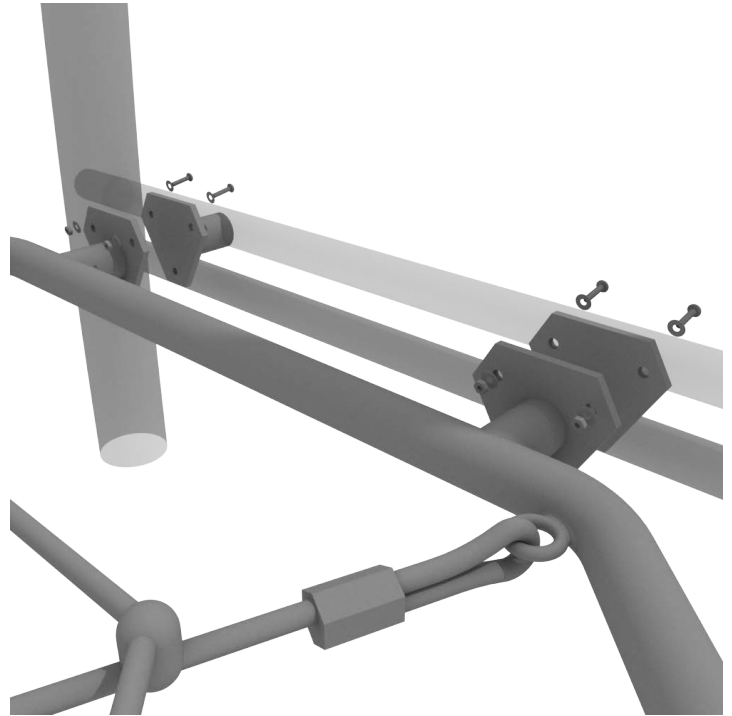
STEP: 2

Check each connection point to ensure they are secure.



STEP: 3

Refer the the Standard Attachment Point Guide for connection to the designated Post.



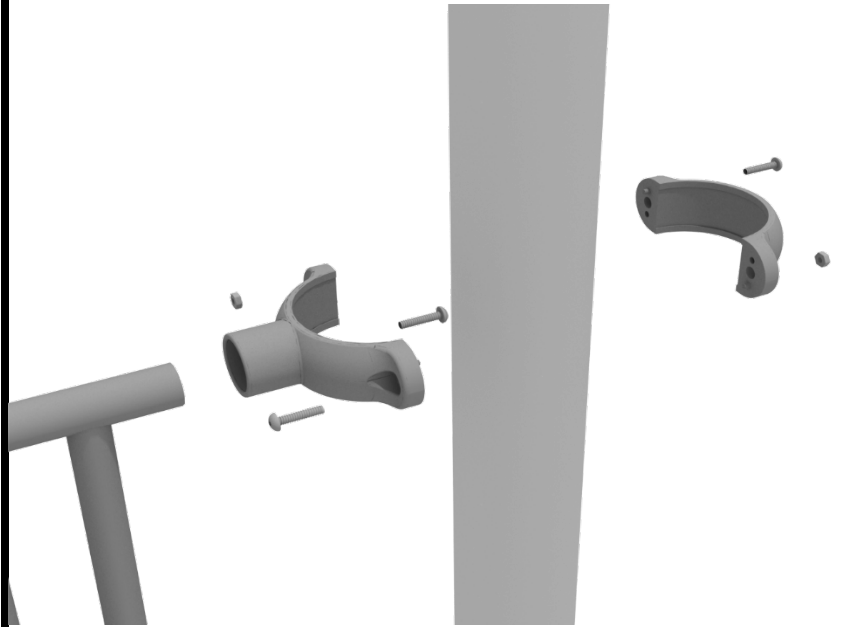
STEP: 4

Attach the designated ladder using the appropriate hardware provided.

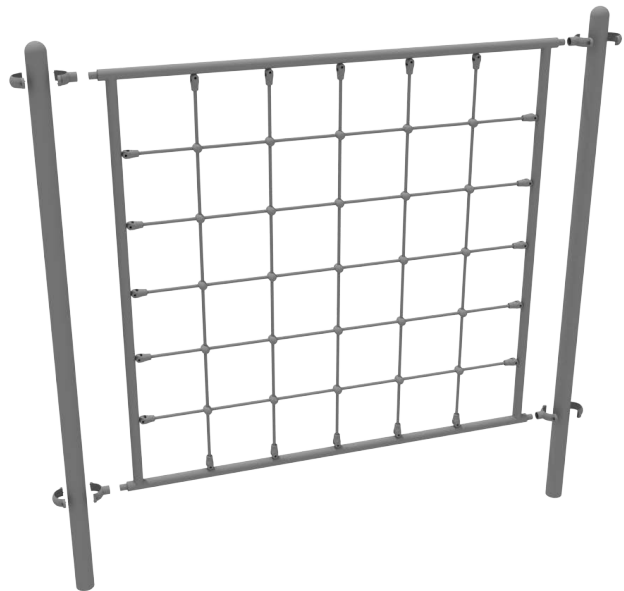


Net Climber Install

Connect half of the clamp to the component using one (1) M8*30 bolt. Then, using the other half of the tube clamp and the hardware provided in the clamp hardware bag, attach the backside of the tube clamp around the post.



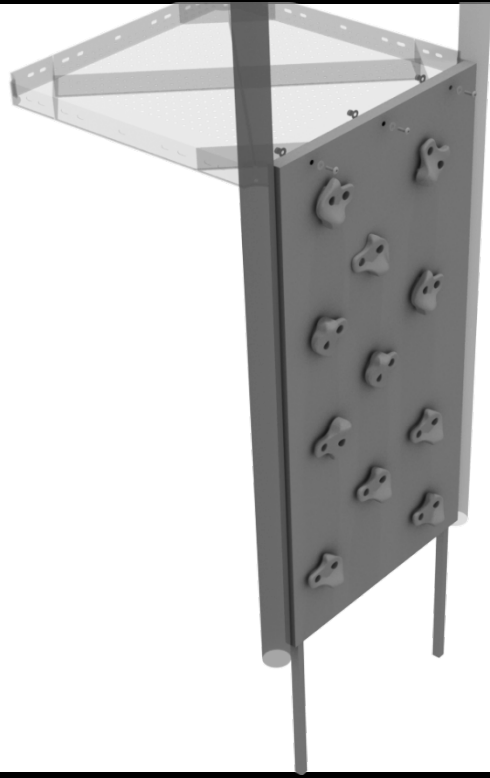
Connect the Net Climber to the designated post using four (4) 3.5-inch tube clamps.



PE Vertical Climber Installation

STEP: 1

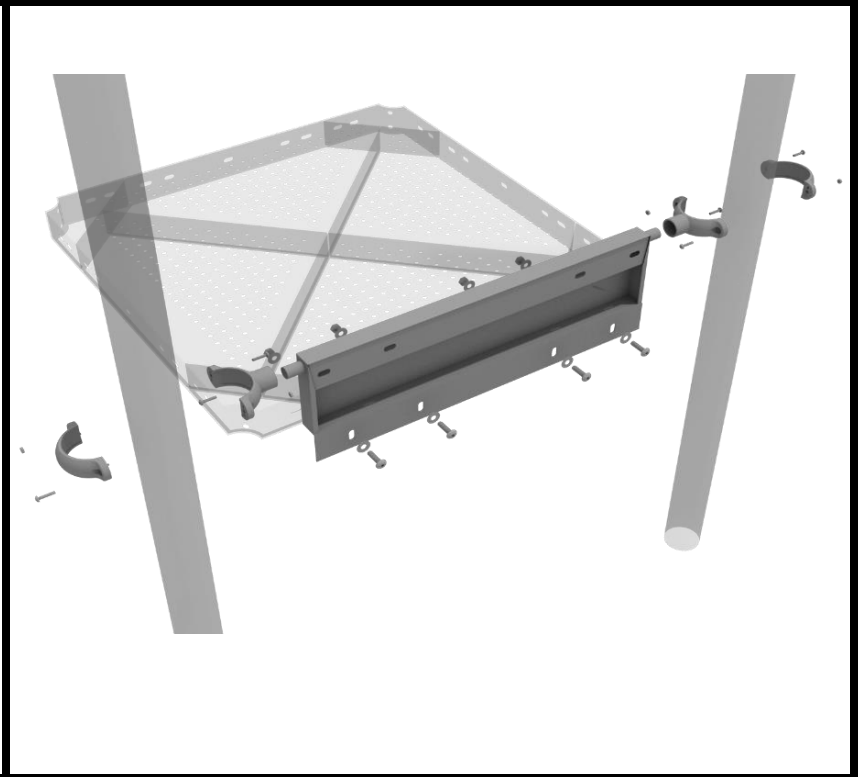
Dig the proper holes for the PE Vertical Climber and attach the top of the climber to the deck using three (3) M10*55 bolts, six (6) M10 washers, and three (3) M10 lock nuts.



Spiral Slide Installation

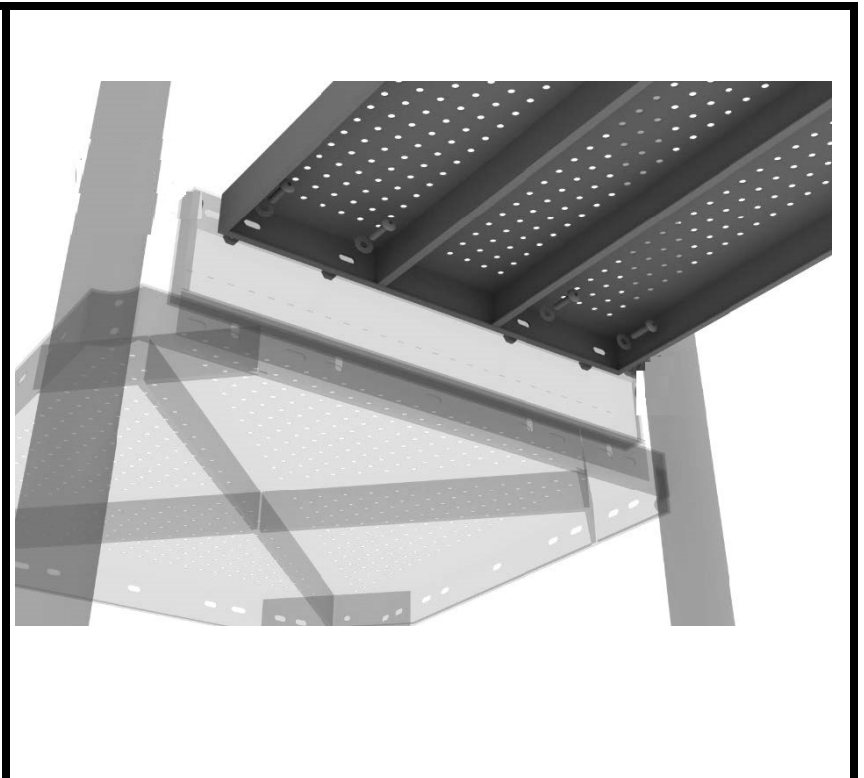
STEP: 1

Attach the spiral slide kick plate to the proper square deck using four (4) M10*25 bolts, eight (8) M10 washers, four (4) M10 lock nuts.



STEP: 2

Attach the spiral slide deck to the top of the spiral slide kick plate using four (4) M10*25 bolts, eight (8) M10 washers, and four (4) M10 lock nuts.



Spiral Slide Installation

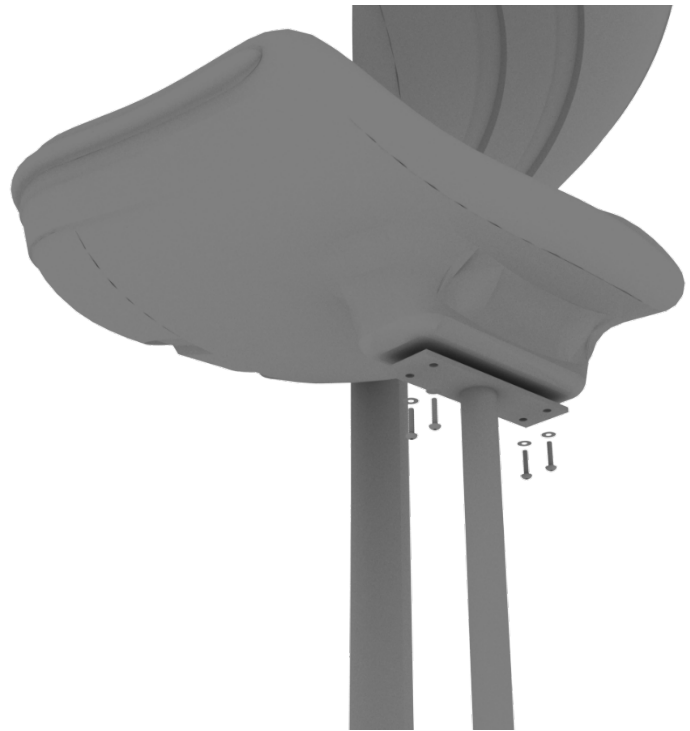
STEP: 3

Attach the Spiral Slide Deck Support Post to the Spiral Slide Deck using two (2) M10*25 Bolts, four (4) M10 Washers, and two (2) M10 Lock Nuts.



STEP: 4

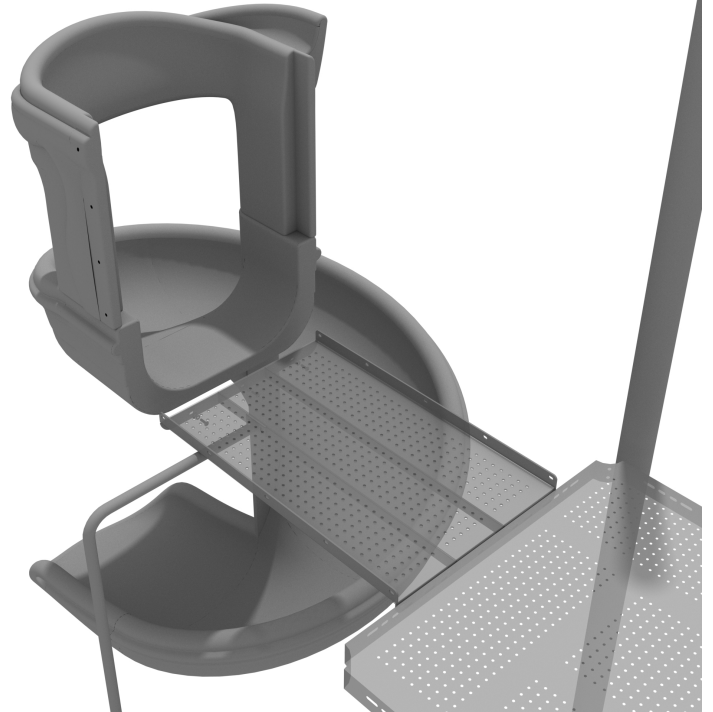
Connect the Spiral Slide Mount to the bottom of the Spiral Slide using four (4) M10*20 Bolts, four (4) M10 Spring Gaskets, and four (4) M10 Washers. Refer to the General Installation Guide for information on slide footings.



Spiral Slide Installation

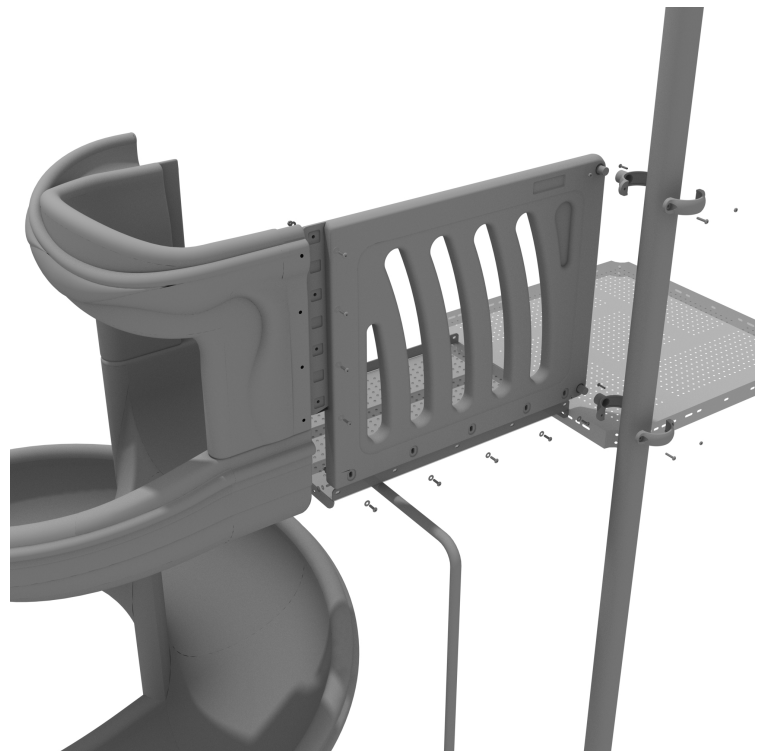
STEP: 5

See general installation guide regarding footing information for slides and support posts. Connect the Spiral Slide to the Spiral Slide Deck using three (3) M10*20 Bolts, three (3) M10 Spring Gaskets, and three (3) M10 Washers.



STEP: 6

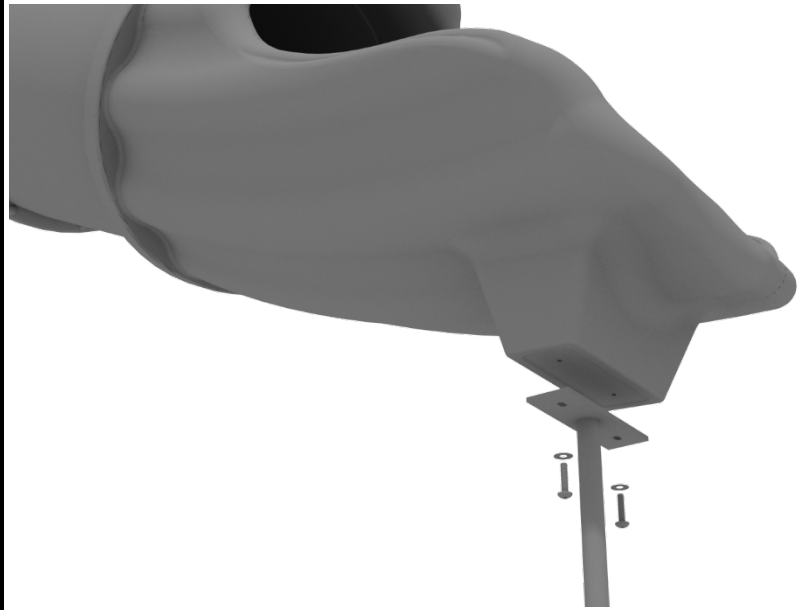
Attach the Spiral Slide Handrail to the Spiral Slide Deck using five (5) M8*60 Bolts, five (5) M8 Washers, five (5) M12 Washers, and five (5) M12 Inner Hex Nuts. Connect spiral slide panels to slide using four (4) M10*50 bolts, four (4) M10 washers, four (4) M10 lock nuts for each panel. Connect the handrails to the posts using two (2) tube clamps. Repeat this process for the other handrail.



Tube Slide Installation

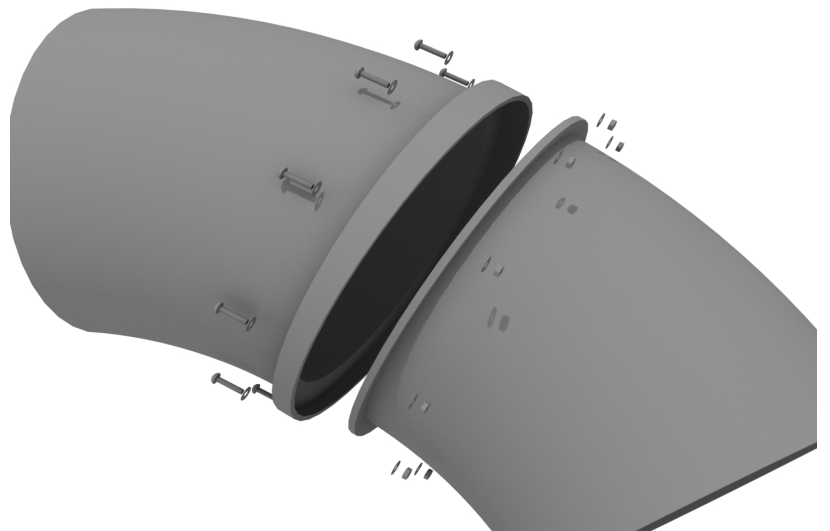
STEP: 1

Attach the slide end mount to the bottom of the slide using four (4) M10*20 bolts, four (4) M10 spring washers, and four (4) M10 washers.



STEP: 2

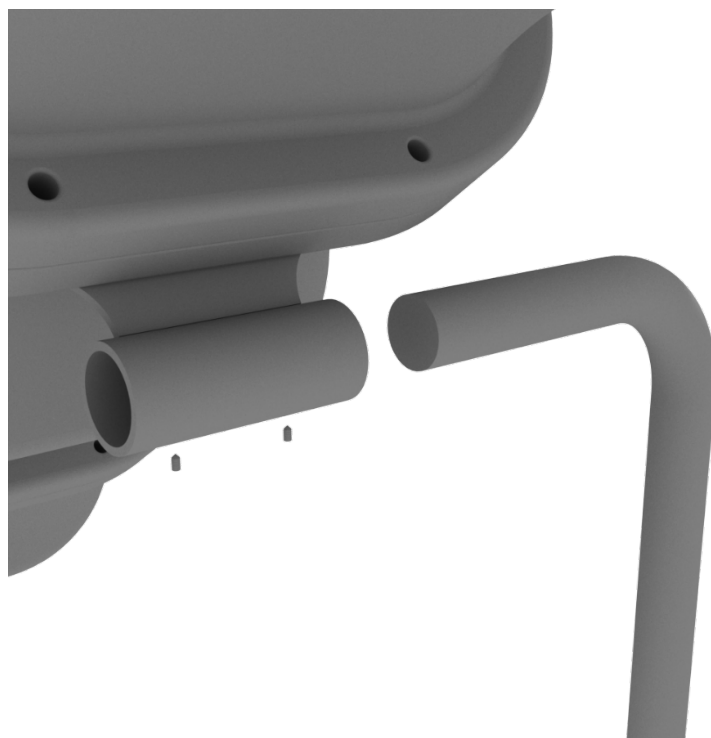
Connect the tube slide together using ten (10) M8*30 bolts, ten (10) M8 washers, and ten (10) M8 lock nuts for each connection point.



Tube Slide Installation

STEP: 3

Attach the tube slide supports to the slide support brackets by inserting the support into the designated slot under the slide, and tighten the set screws using the provided Allen wrench. Repeat this process for the other slide support post.



STEP: 4

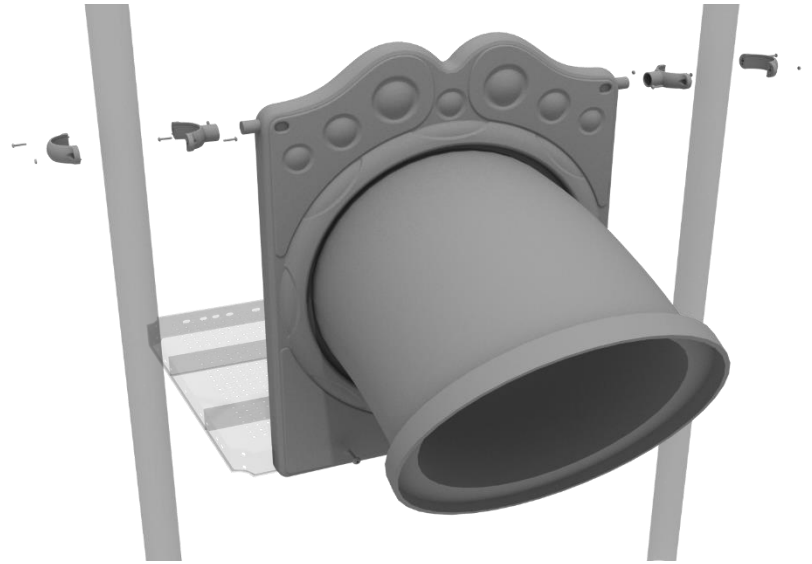
Attention: Any hardware on pre-attached tube slide or tube bridge supports (not including set screws) are to be disposed. Use supplied bolts and appropriate lock nuts in hardware box to avoid any safety hazards or safety violations.



Tube Slide Installation

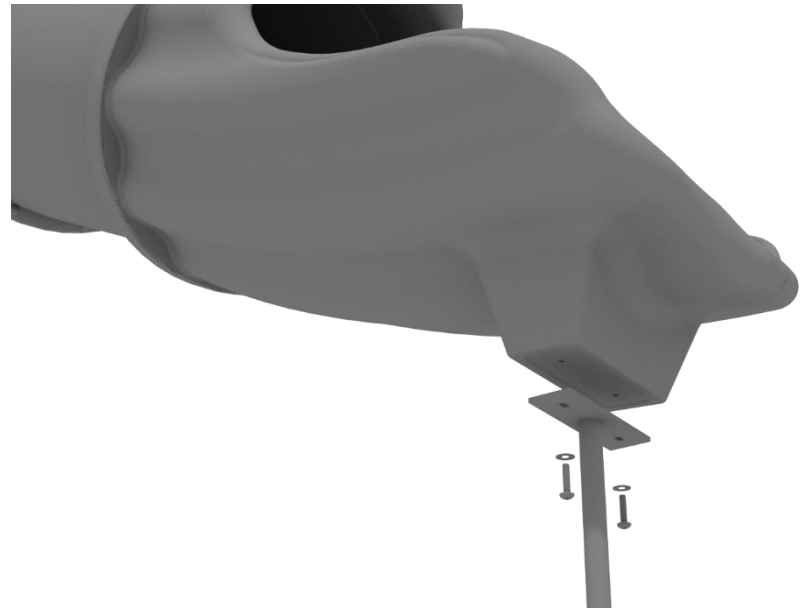
STEP: 1

Attach the slide entry hole panel to the deck using two (2) M10*50 bolts, four (4) M10 washers, and two (2) M10 lock nuts. Then attach the top of the panel to the posts using two (2) flat clamps.



STEP: 2

See general installation guide regarding footing information for the tube slide mount. Attach the slide end mount to the bottom of the slide using four (4) M10*20 bolts, four (4) M10 spring washers, and four (4) M10 washers.



Tube Slide Installation

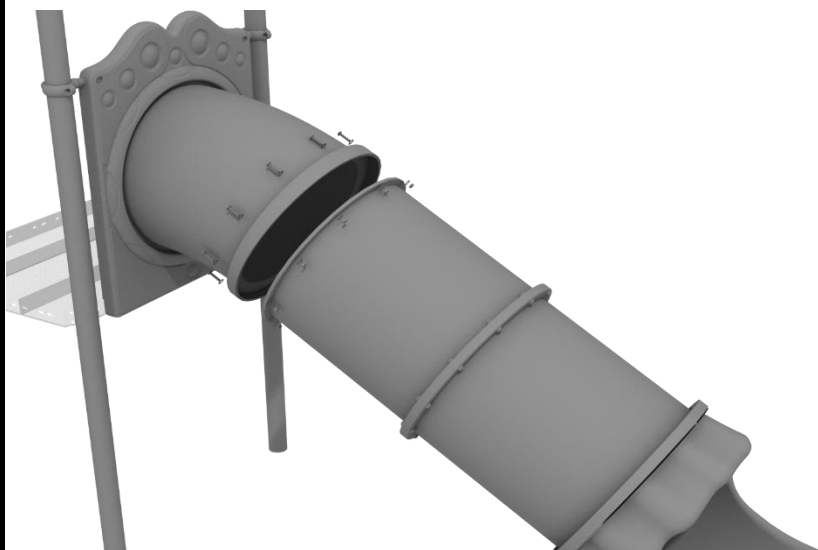
STEP: 3

Then, attach the tube slide support to the slide support brackets by inserting the support into the designated slot under the slide, and tighten the set screws using the provided Allen wrench. Repeat this process for the other slide support post.



STEP: 4

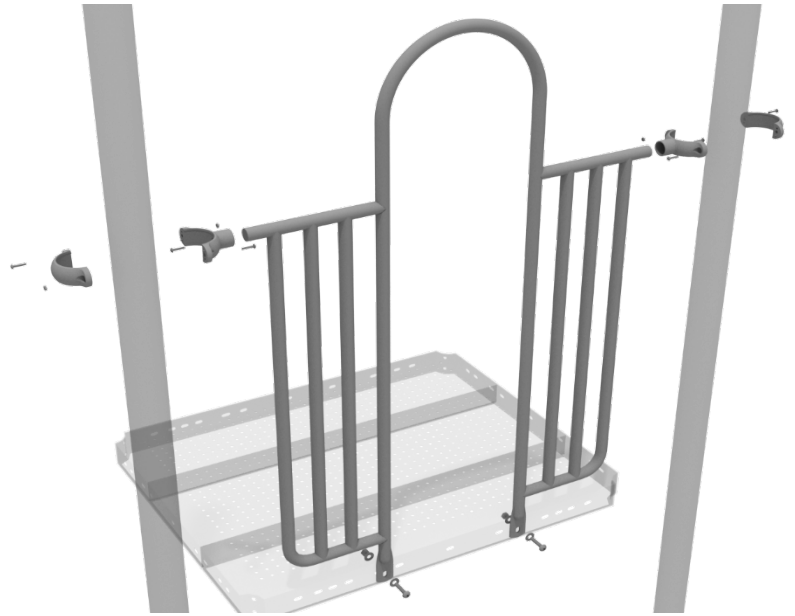
Finally, connect the tube slide together using ten (10) M8*30 bolts, ten (10) M8 washers, and ten (10) M8 lock nuts.



4.5-inch 2-Clamp Arch Rail Installation

STEP: 1

Attach each two-clamp arch rail to the designated deck by using two (2) tube clamps, and two (2) M4*25 self-tapping screws to attach the top of the panel to the posts. Then use two (2) M10*25 bolts, four (4) M10 washers, and two (2) M10 lock nuts to attach the panel to the deck.



4.5-inch 4-Clamp Arch Rail Installation

STEP: 1

Attach the Arch Rail to the designated posts by connect half of the tube clamp to the arch rail using one (1) M8*30 bolt. Repeat this process for each attachment point.

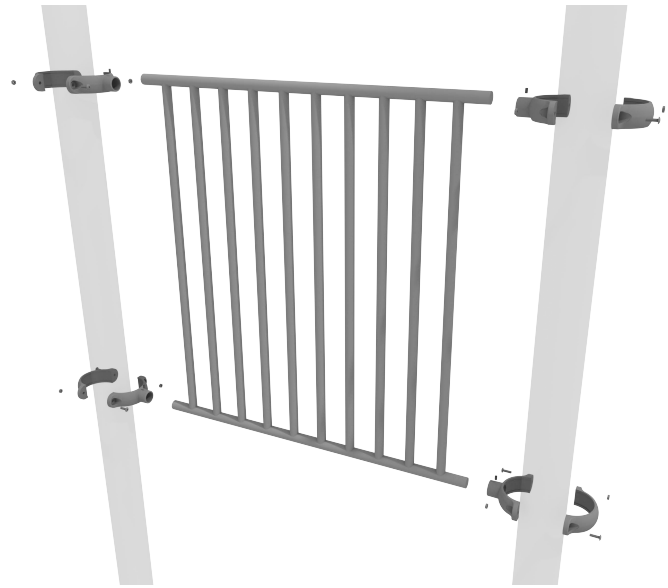
Set the arch rail into place, then attach the second half of the clamp around the post. The gap between the deck and the bottom of the rail should be no more than 3 inches.



4.5-inch 4 Clamp Metal Barrier Installation

STEP: 1

Connect the panel to the designated post using four (4) 4.5-inch tube clamps.



4.5-inch Side Entrance Rail Installation

STEP: 1

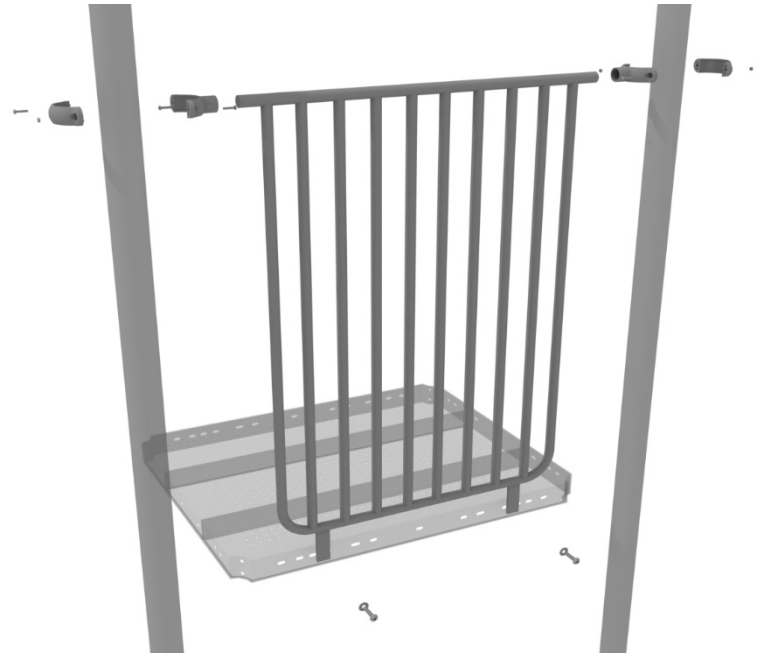
Attach each two-clamp arch rail to the designated deck by using two (2) tube clamps, and two (2) M4*25 self-tapping screws to attach the top of the panel to the posts. Then use one (1) M10*25 bolt, two (2) M10 washers, and one (1) M10 lock nut to attach the panel to the deck.



4.5-inch Tall Metal Barrier Installation

STEP: 1

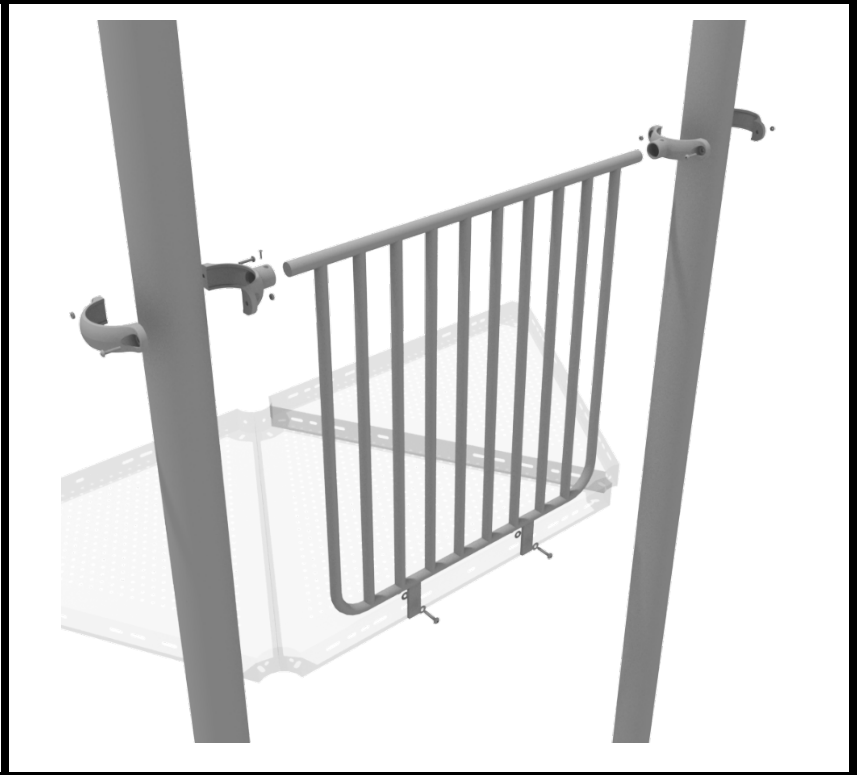
Attach the metal barrier to the designated posts using two (2) tube clamps two (2) M8*30 bolts. Then, attach the bottom of the metal barrier to the deck using two (2) M10*25 bolts, four (4) M10 washers, and two (2) M10 lock nuts.



4.5-inch Metal Barrier Installation

STEP: 1

Attach two tube clamps to the metal barrier using two (2) M4*25 self-tapping screws and attach those clamps to the proper support posts. Then, attach the bottom of the metal barrier to the deck using two (2) M10*25 bolts, four (4) M10 washers, and two (2) M10 lock nuts.

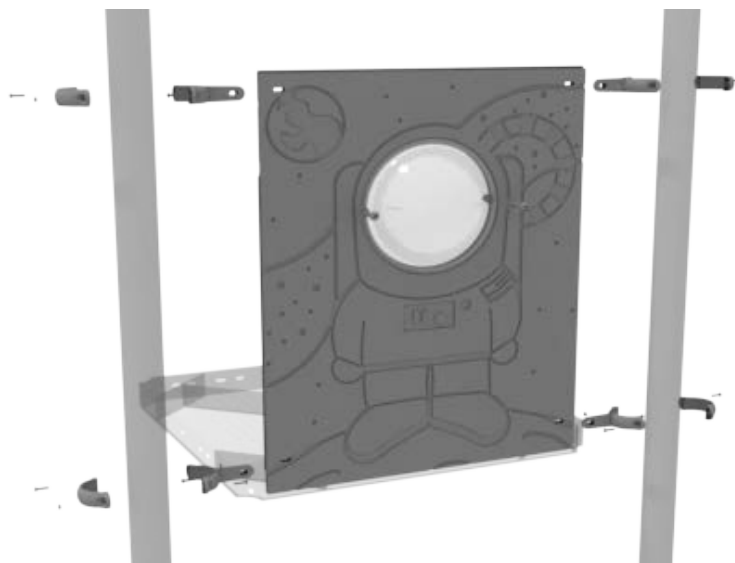


4.5-Inch Space Exploration Panel

Installation

STEP: 1

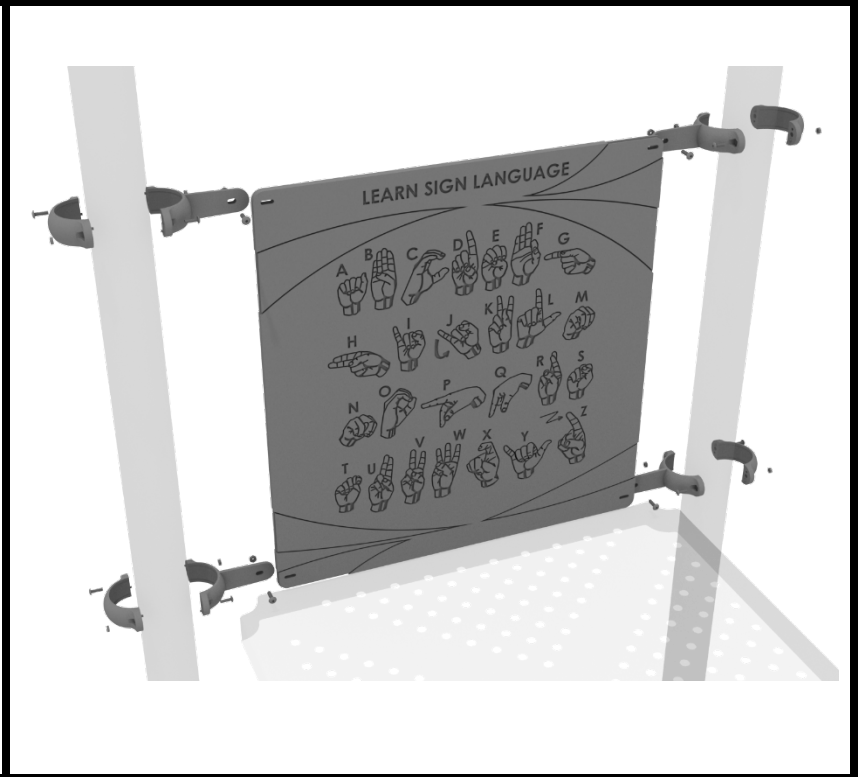
Connect the bottom of the panel to the deck using two (4) M10*50 bolts, four (8) M10 washers, and two (4) M10 lock nuts. Then attach the top of the panel to the posts using two (4) flat clamps.



4.5-inch Sign Language Panel Installation

STEP: 1

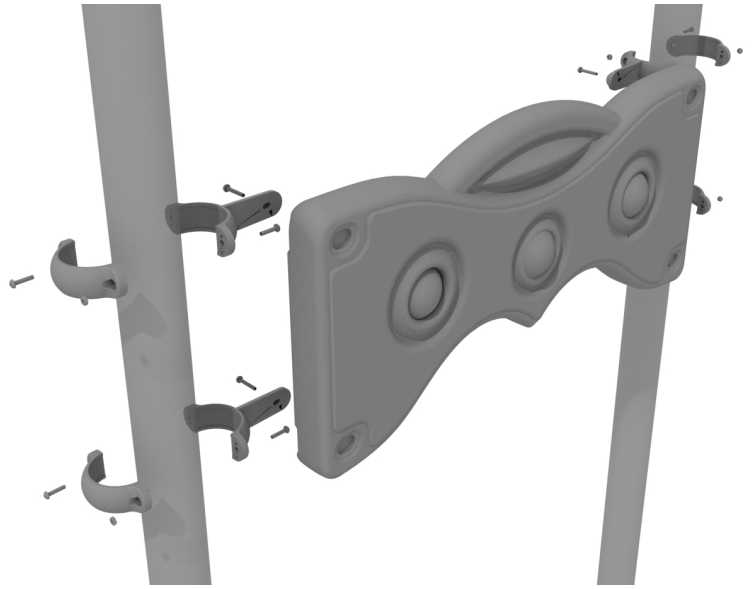
Attach the Sign Language Panel to the appropriate posts using 5.0-inch Flat Clamps and four (4) M8*35 Bolts, four (4) M8 Washers, and four (4) M8 Lock Nuts.



Small Plastic Barrier Install Guide

STEP: 1

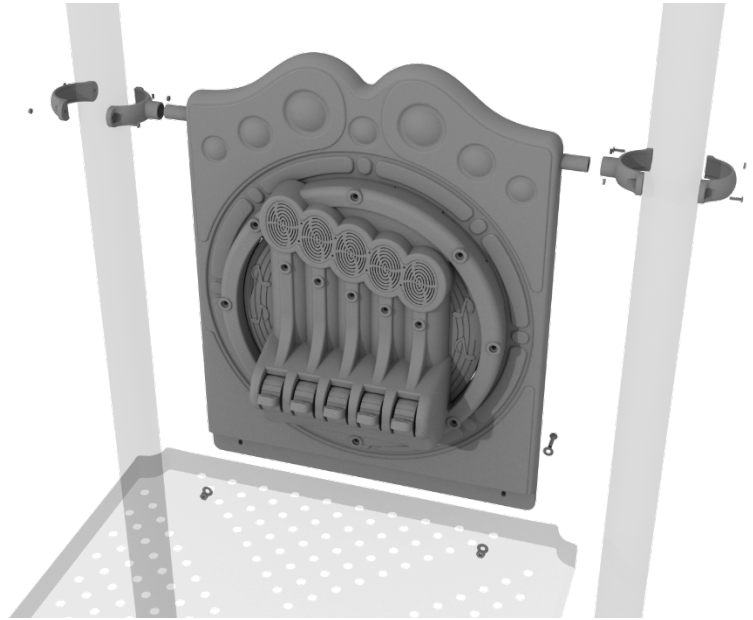
Install the Small Plastic Barrier using four (4) Flat Clamps. See the Clamp Guide for specific details.



4.5-inch Chime Panel Installation

STEP: 1

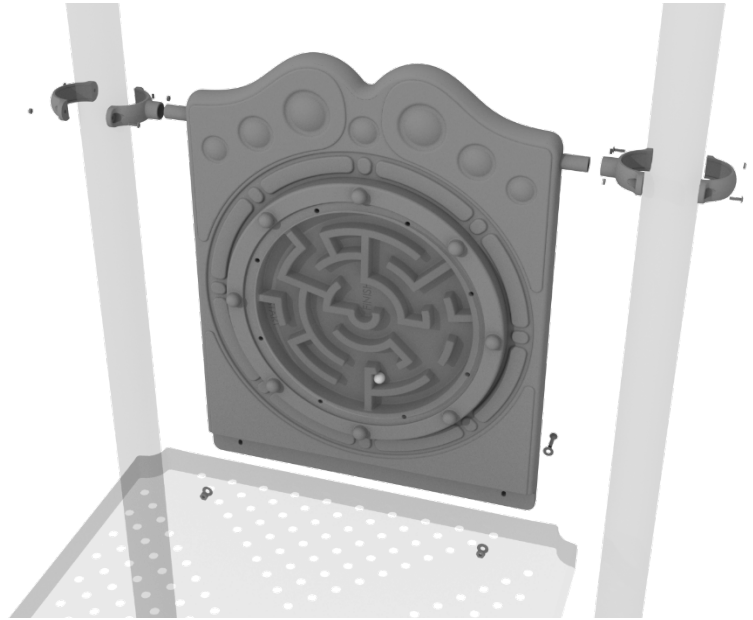
Attach two tube clamps to the Chime Panel using two (2) M4*25 self-tapping screws and attach those clamps to the proper support posts. Then, attach the bottom of the metal barrier to the deck using two (2) M10*50 bolts, four (4) M10 washers, and two (2) M10 lock nuts.



4.5-inch Ball Maze Panel Installation

STEP: 1

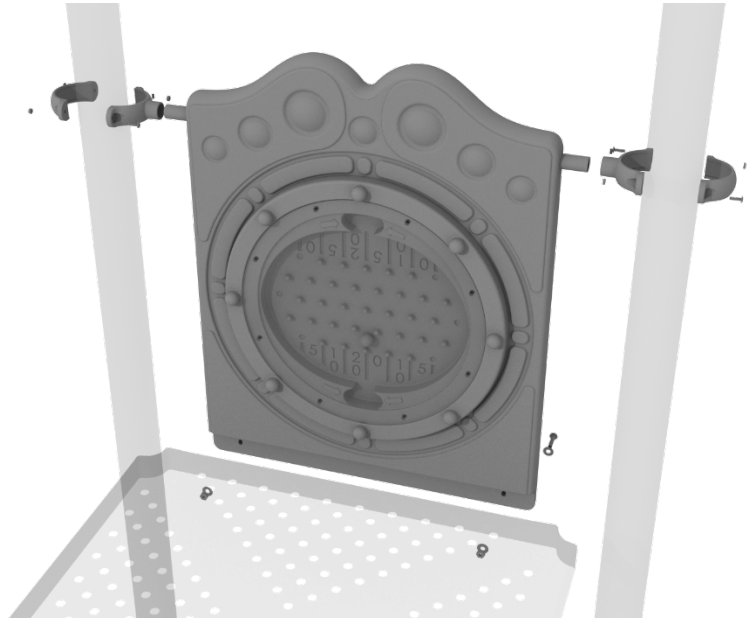
Attach two tube clamps to the Ball Maze Panel using two (2) M4*25 self-tapping screws and attach those clamps to the proper support posts. Then, attach the bottom of the metal barrier to the deck using two (2) M10*50 bolts, four (4) M10 washers, and two (2) M10 lock nuts.



4.5-inch Plinko Panel Installation

STEP: 1

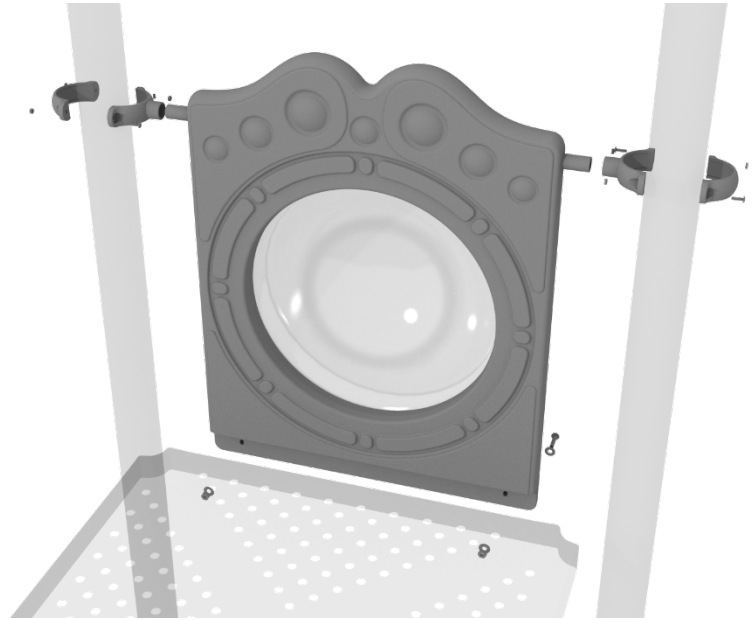
Attach two tube clamps to the Plinko Panel using two (2) M4*25 self-tapping screws and attach those clamps to the proper support posts. Then, attach the bottom of the metal barrier to the deck using two (2) M10*50 bolts, four (4) M10 washers, and two (2) M10 lock nuts.



4.5-inch Bubble Panel Installation

STEP: 1

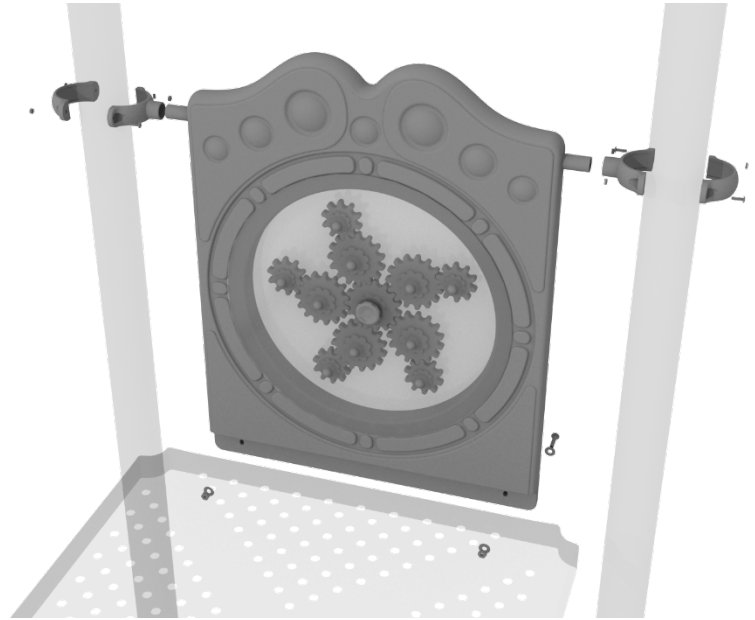
Attach two tube clamps to the Bubble Panel using two (2) M4*25 self-tapping screws and attach those clamps to the proper support posts. Then, attach the bottom of the metal barrier to the deck using two (2) M10*50 bolts, four (4) M10 washers, and two (2) M10 lock nuts.



4.5-inch Gear Panel Installation

STEP: 1

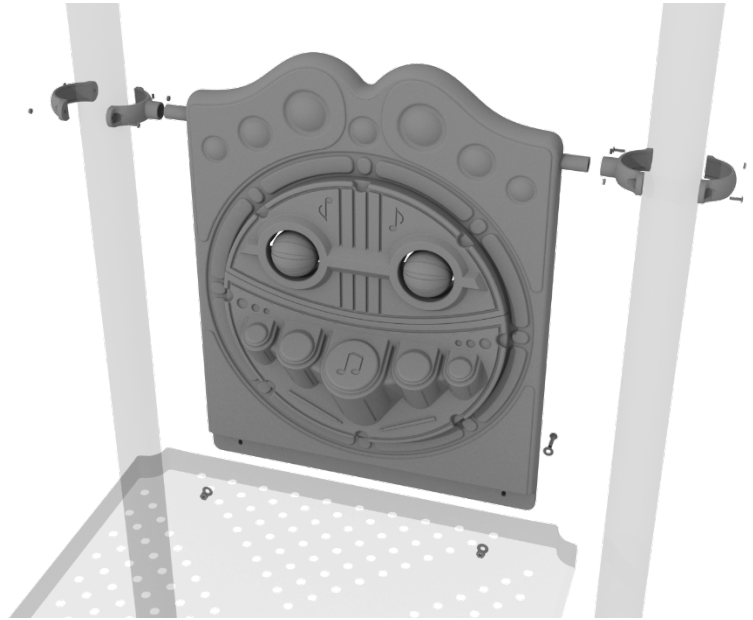
Attach two tube clamps to the Gear Panel using two (2) M4*25 self-tapping screws and attach those clamps to the proper support posts. Then, attach the bottom of the metal barrier to the deck using two (2) M10*50 bolts, four (4) M10 washers, and two (2) M10 lock nuts.



4.5-inch Percussion Panel Installation

STEP: 1

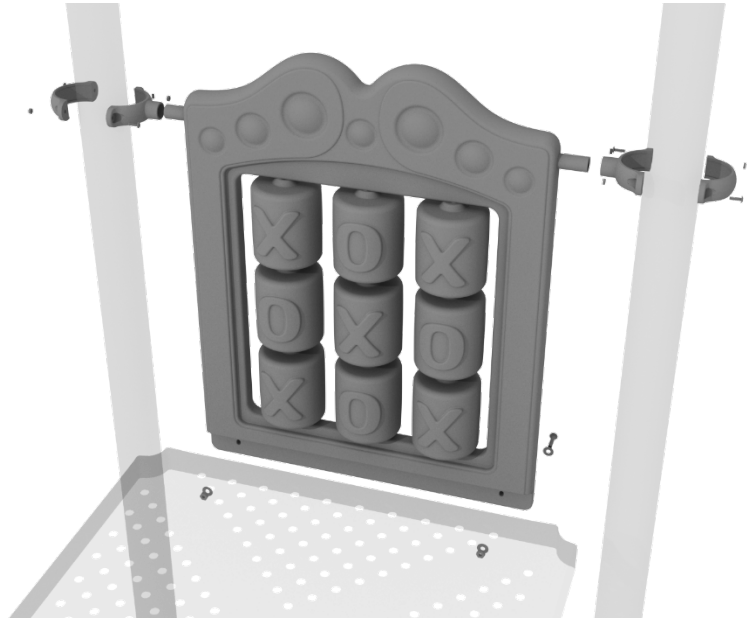
Attach two tube clamps to the Percussion Panel using two (2) M4*25 self-tapping screws and attach those clamps to the proper support posts. Then, attach the bottom of the metal barrier to the deck using two (2) M10*50 bolts, four (4) M10 washers, and two (2) M10 lock nuts.



4.5-inch Tic Tac Toe Panel Installation

STEP: 1

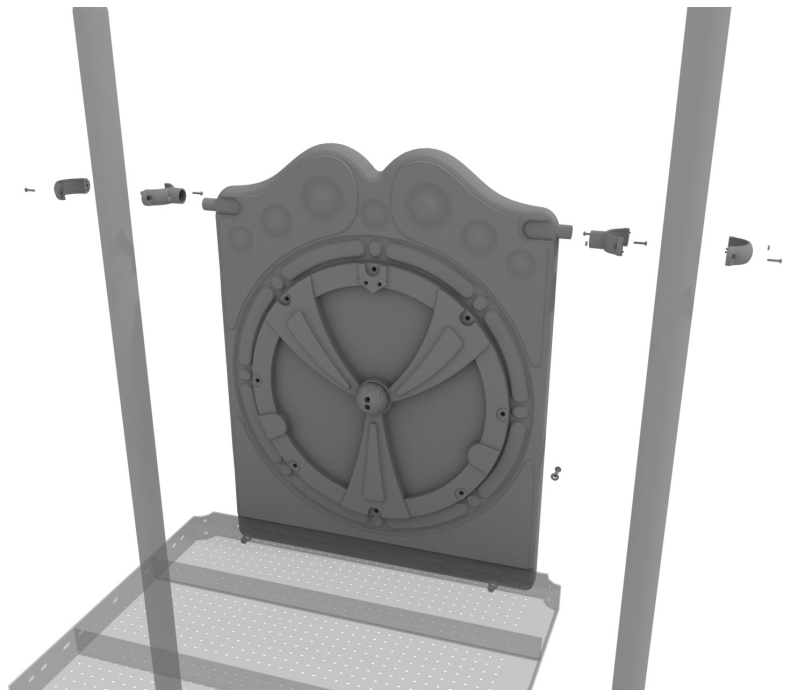
Attach two tube clamps to the Tic Tac Toe Panel using two (2) M4*25 self-tapping screws and attach those clamps to the proper support posts. Then, attach the bottom of the metal barrier to the deck using two (2) M10*50 bolts, four (4) M10 washers, and two (2) M10 lock nuts.



4.5-inch Wheel of Activity Panel Installation

STEP: 1

Attach two tube clamps to the Wheel of Activity Panel using two (2) M4*25 self-tapping screws and attach those clamps to the proper support posts. Then, attach the bottom of the Wheel of Activity Panel to the deck using two (2) M10*50 bolts, four (4) M10 washers, and two (2) M10 lock nuts.



Hex Roof Install

STEP: 1

To attach a hex roof, bolt the plastic post caps to the bottom of the roof using six (6) M8*20 bolts, and six (6) M8 washers. Then place the roof on top of the posts and screw the caps onto the post using eighteen (18) M3*16 self-tapping screws.



Square Roof Install

STEP: 1

To attach a square roof, bolt the plastic post caps to the bottom of the roof using four (4) M8*20 bolts, and eight (8) M8 washers. Then place the roof on top of the posts and screw the caps onto the post using four (4) M4*35 self-tapping screws.

