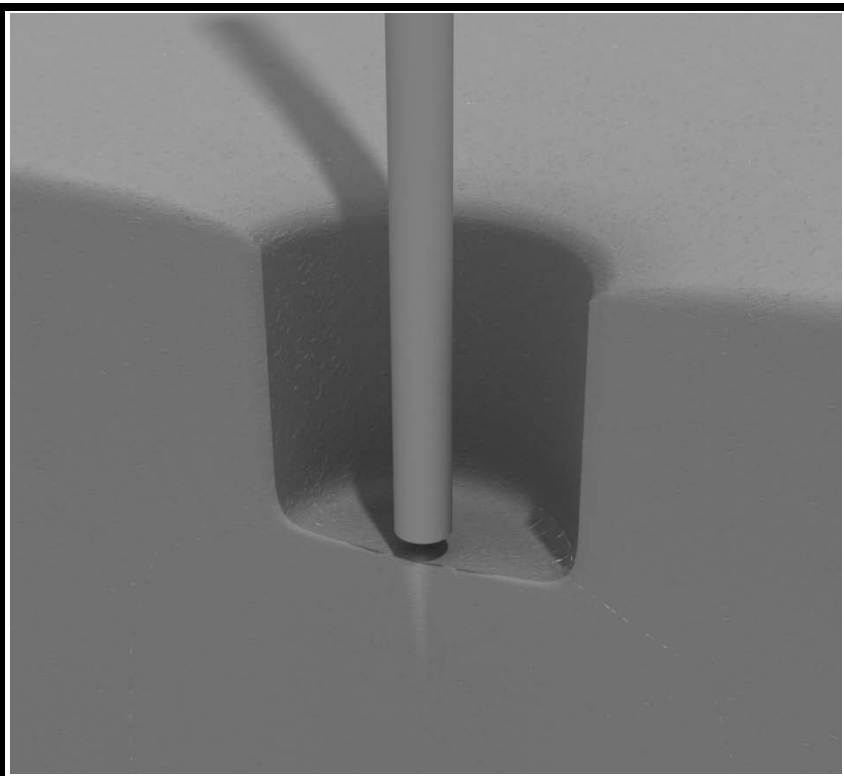


STEP: 1

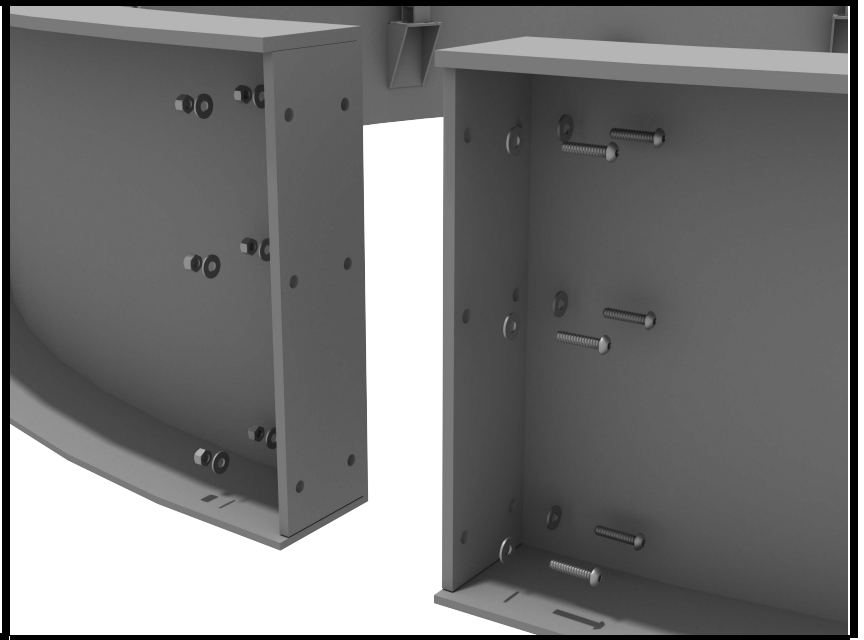
**DO NOT CEMENT POSTS INTO PLACE
UNTIL THE ENTIRE STRUCTURE IS
ASSEMBLED.**

Refer to the General Installation
guide footing information and dig
proper holes for the support posts.

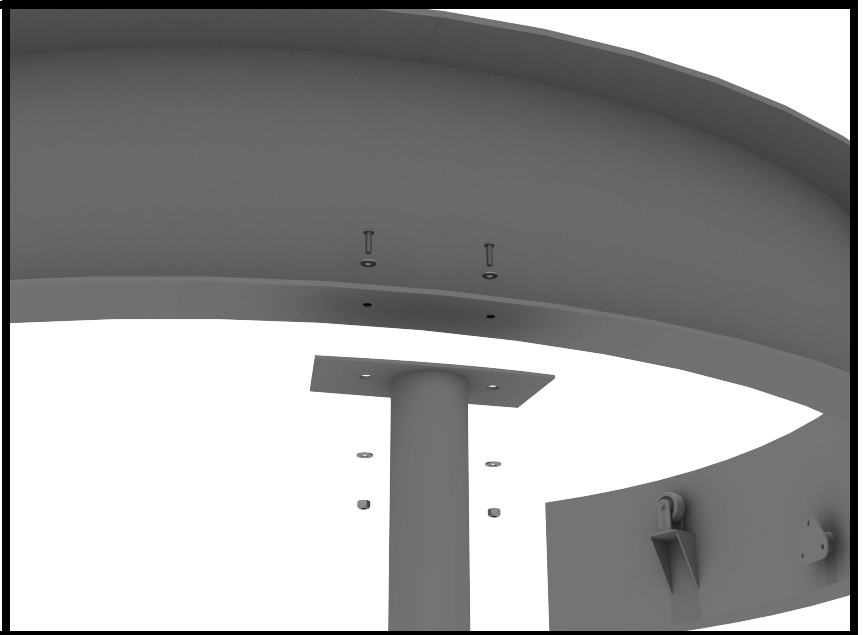


Basin Ring Installation

Attach both halves of the basin ring using the included hardware.



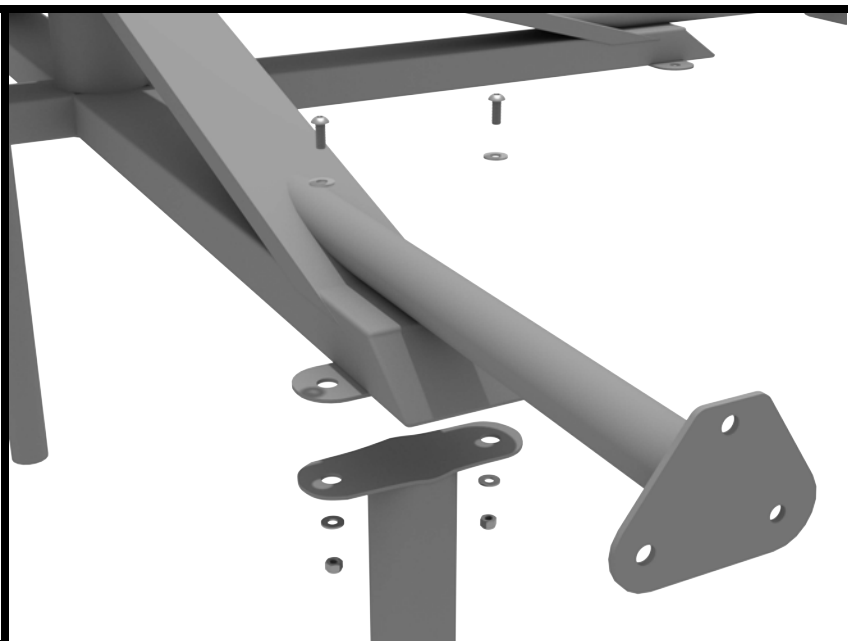
Attach the footer mounts to the underside of the finished basin ring in all six locations using the included hardware.



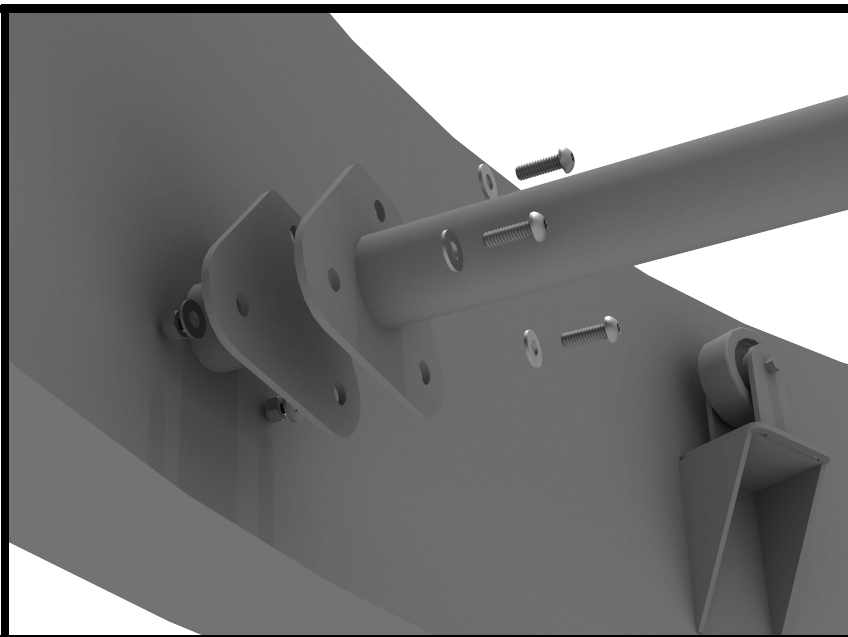
10859 Washington St. Suite
200, Indianapolis, IN
1-800-667-0097

Created By: GB
Date: 02/09/2022

Attach the frame's four footing mounts to the underside of the frame using the supplied hardware.

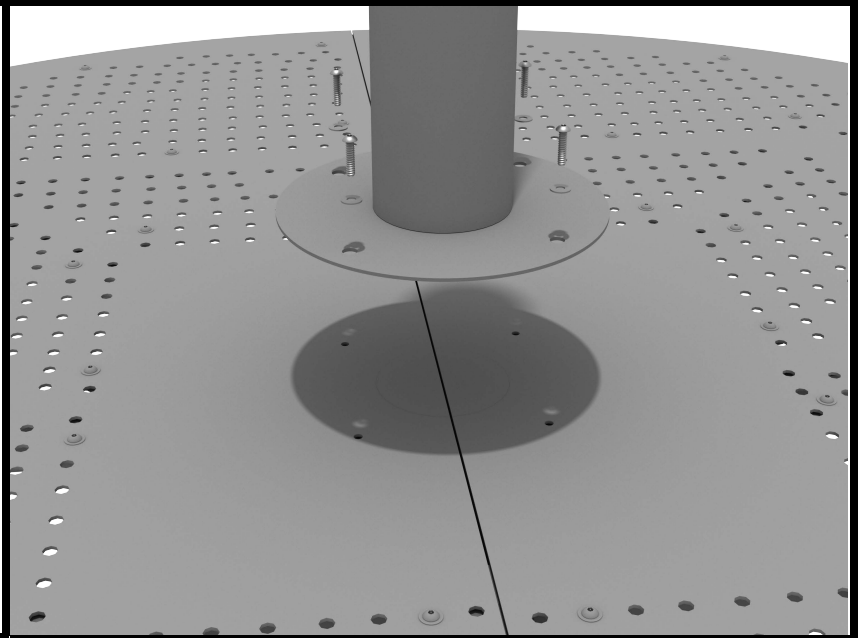


Attach the frame to the inner ring of the basin at the four triangular Get Physical mounting plates using the included hardware.

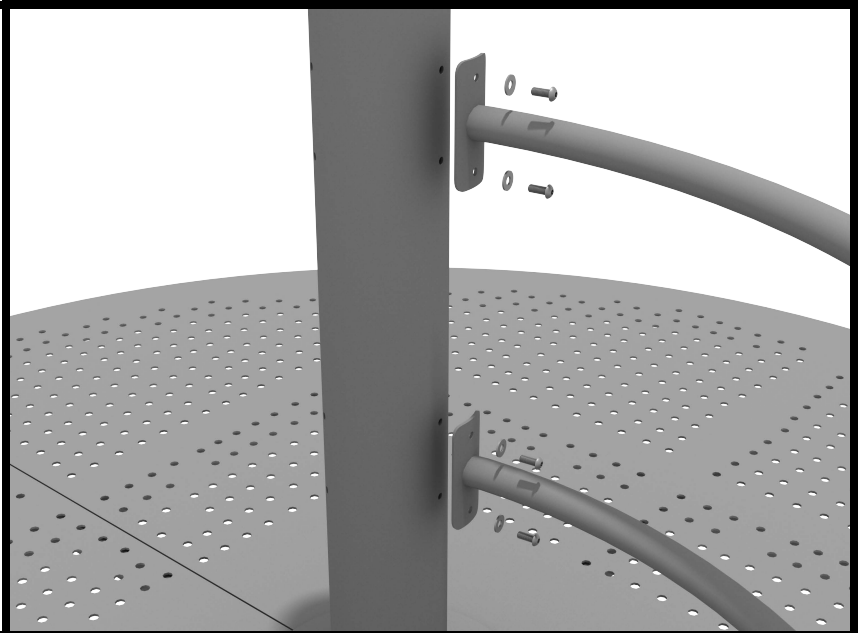


Post/Railings Installation

Attach the post to the top center of the spinner by bolting it to the included threaded mounts hidden beneath the decking using the included hardware.



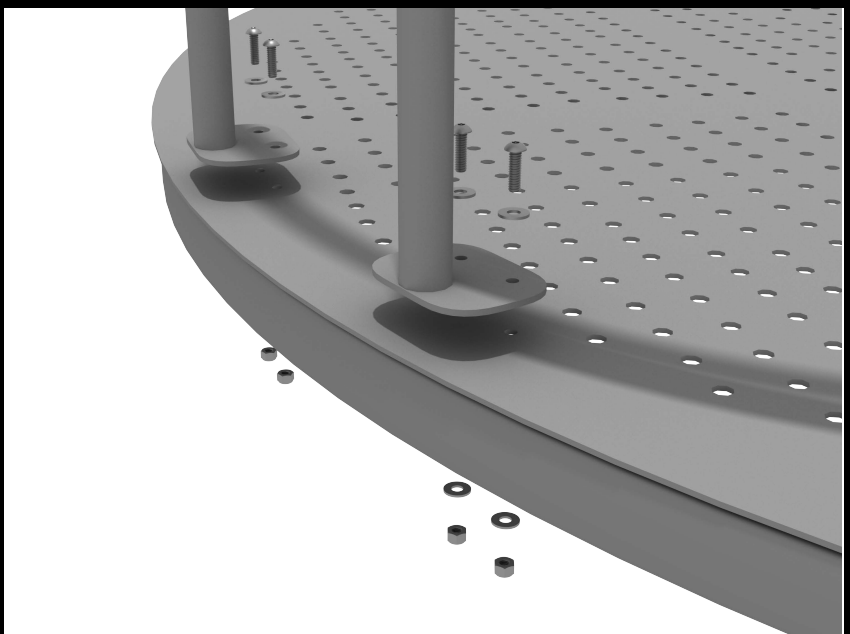
Attach the railing to the central post via the two tabs and hardware supplied for all three railing assemblies.



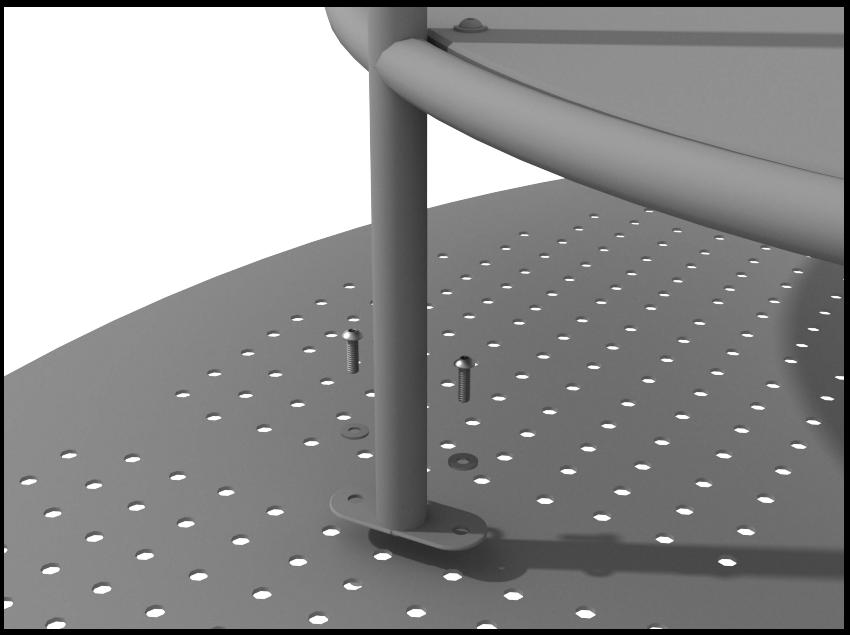
Post/Railings Installation (cont.)



Fasten the bottom feet of the railings to the deck and frame using the included hardware at all six locations (two per railing).



If a railing assembly has an accompanying seat, affix the seat support mount to the deck and frame in the same way as the other rail footings using the supplied hardware.



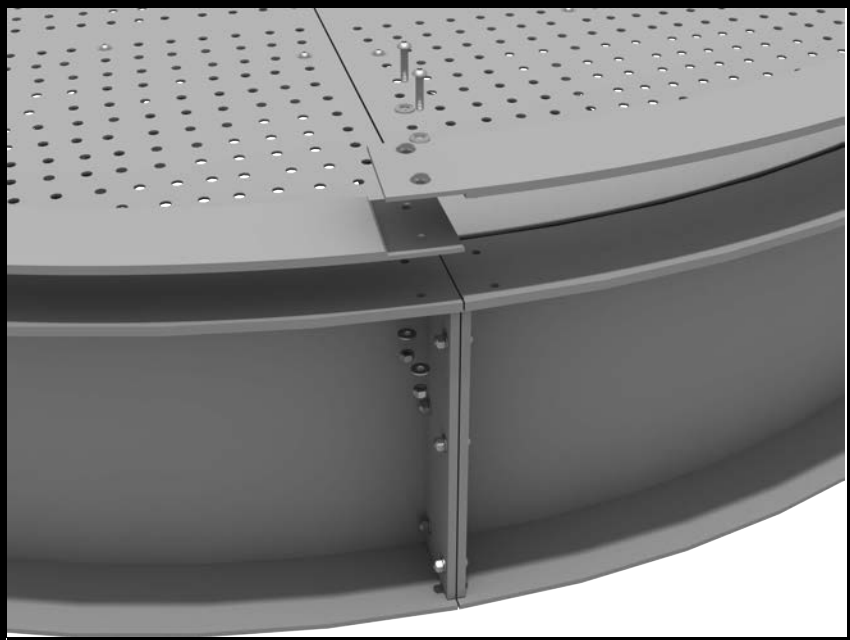
10859 Washington St. Suite
200, Indianapolis, IN
1-800-667-0097

Created By: GB
Date: 02/09/2022

HDPE Bezel Installation



Attach the frame's HDPE bezel to the basin ring top surface, being sure to overlap and bolt down all 8 pieces flush with the included hardware.



10859 Washington St. Suite
200, Indianapolis, IN
1-800-667-0097

Created By: GB
Date: 02/09/2022

Accessible Merry-Go-Round 210825-GB-1-CR001

