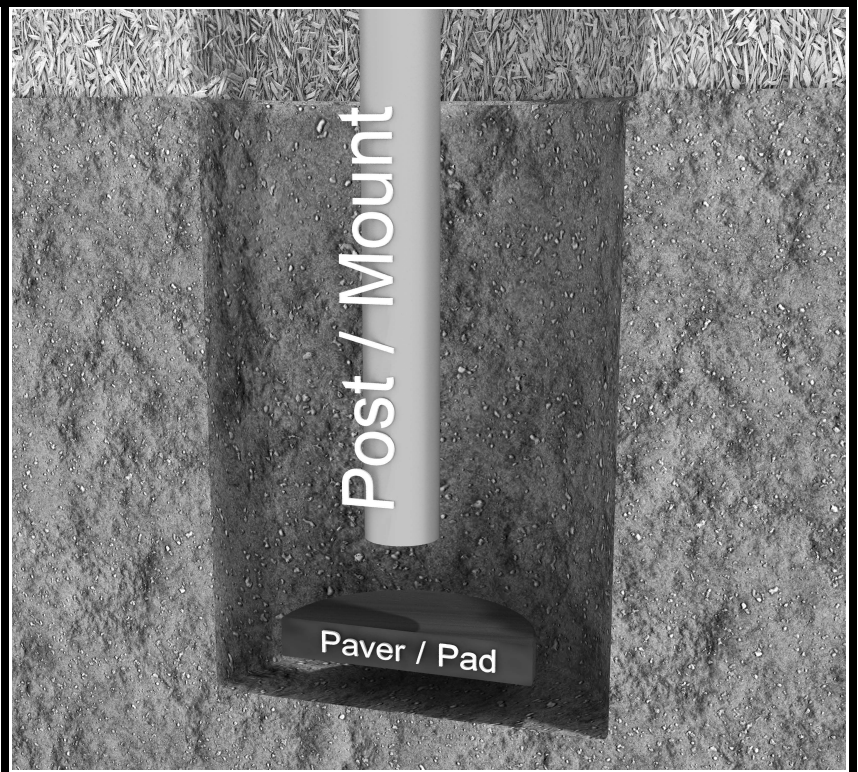


Inground Post/Mount Installation

STEP: 1

DO NOT CEMENT POSTS/MOUNTS INTO PLACE UNTIL THE ENTIRE STRUCTURE IS ASSEMBLED.

Refer to the General Installation guide footing size information and digging proper holes for the support posts/mounts.



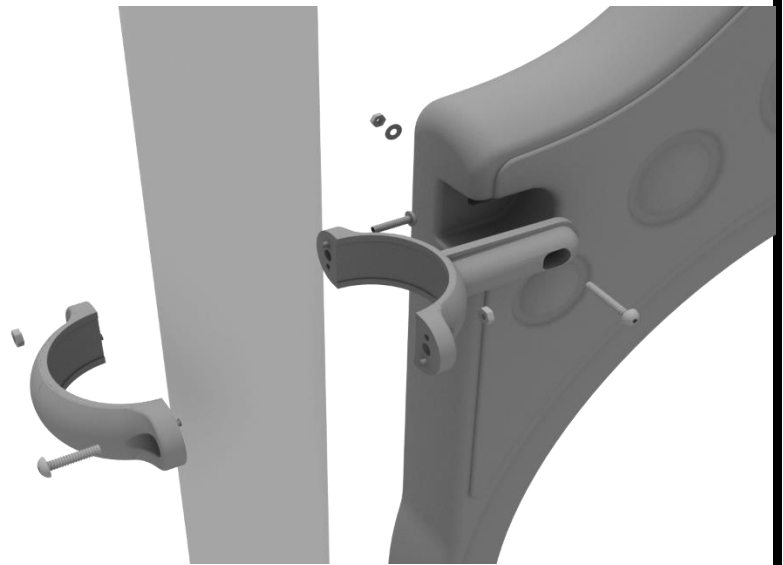
3.5-inch Clamp Installation Examples

The following three pages will include examples of how to install some of the most common types of Clamps that are present on our structures that use 3.5-inch outside diameter posts. The structure that you are assembling might not require all the types of clamps listed in these examples.

The Install Guides for specific components that come later in this document might call for a specific type of clamp (a tube clamp for example), those sections will not include detailed instructions for the clamps and should direct you back to this section for more detailed information.

3.5-inch Flat Clamp Install Example

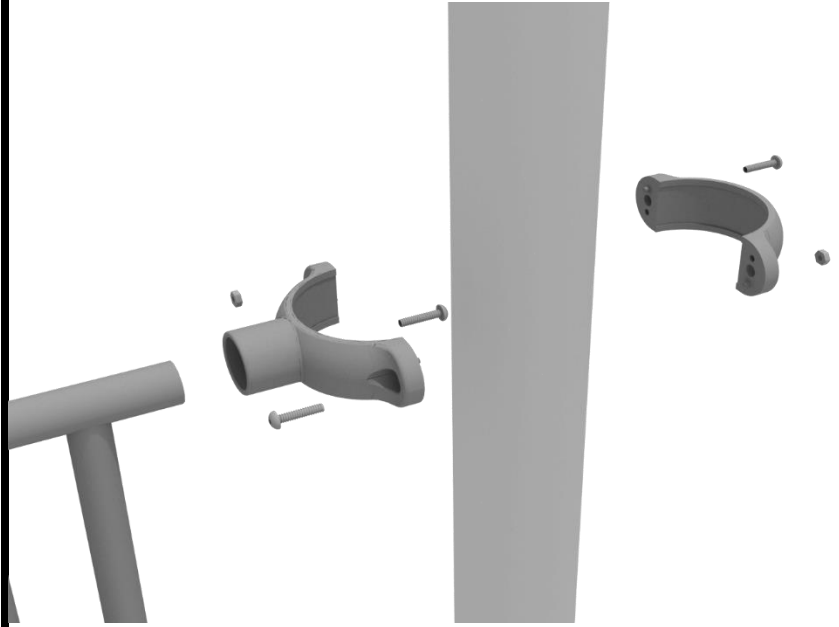
Connect half of the flat clamp to the component using one (1) M8*40 bolt. Then, using the other half of the flat clamp and the hardware provided in the clamp hardware bag, attach the backside of the flat clamp around the post.



3.5-inch Clamp Installation Examples

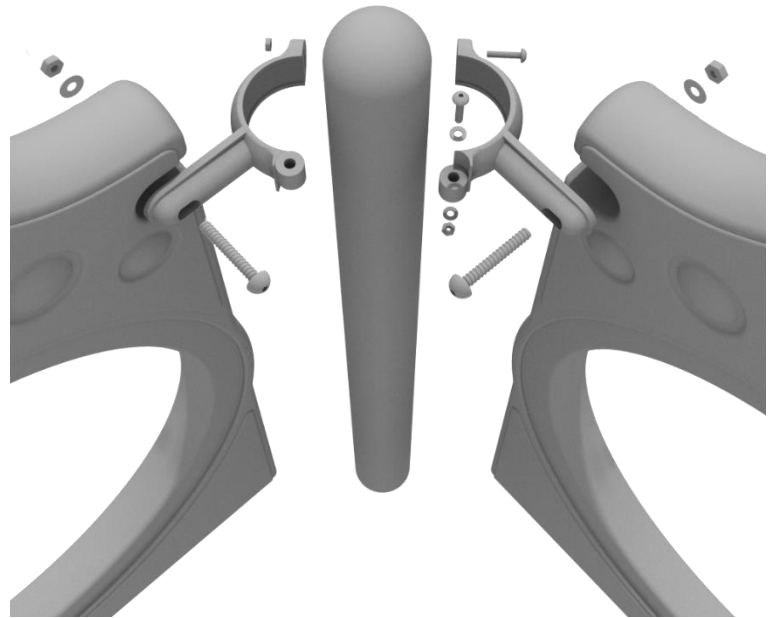
3.5-inch Tube Clamp Install Example

Connect half of the clamp to the component using one (1) M8*30 bolt. Then, using the other half of the tube clamp and the hardware provided in the clamp hardware bag, attach the backside of the tube clamp around the post.



3.5-inch 90-Degree Flat Clamp Install Example

Connect half of the flat clamp to one panel using one (1) M8*40 bolt. Then, using the other half of the flat clamp and the hardware provided in the clamp hardware bag, attach the other half of the tube clamp around the post. Then, attach the next panel to the other side of the clamp using the same process.



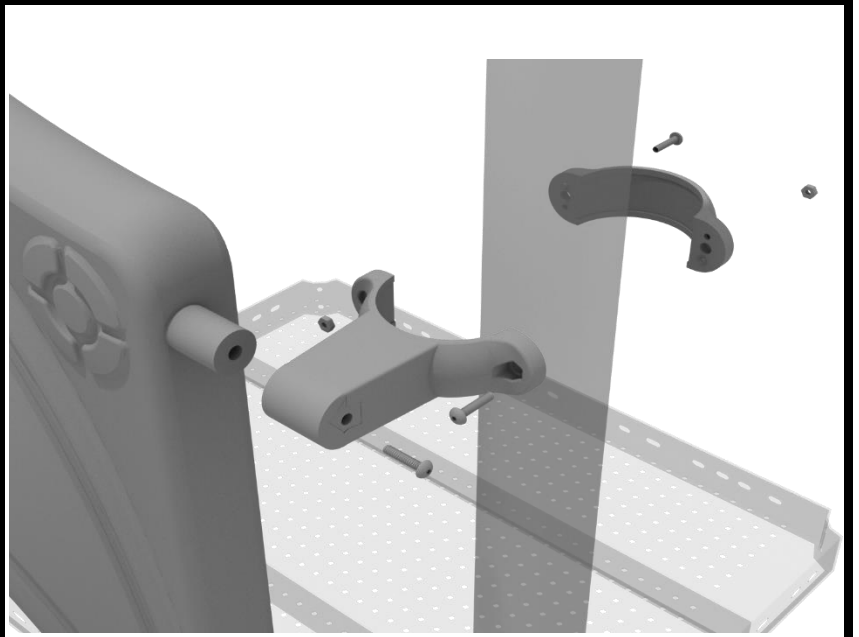
10859 Washington St. Suite
200, Indianapolis, IN
1-800-667-0097

Created By: Derick H
Date: 11/01/2018

3.5-inch Clamp Installation Examples

3.5-inch Double Slide Clamp Install Example

Connect half of the double slide clamp to the double slide hood using one (1) M8*30 bolt. Then, using the other half of the clamp and the hardware provided in the clamp hardware bag, attach the backside of the double slide clamp around the post.



Triangle Deck Installation

STEP: 1

After the posts are in place, using three (3) M10*35 bolts, six (6) M10 washers, and three (3) M10 lock nuts, attach the triangle deck to each pre-attached deck clamp as shown in the image.

Deck clamps are pre-attached to the posts and should not be altered in any way.



Square Deck Installation

STEP: 1

After the posts are in place, using four (4) M10*35 Bolts, eight (8) M10 Washers, and four (4) M10 Lock Nuts, attach each square deck to each pre-attached deck clamp as shown in the image.

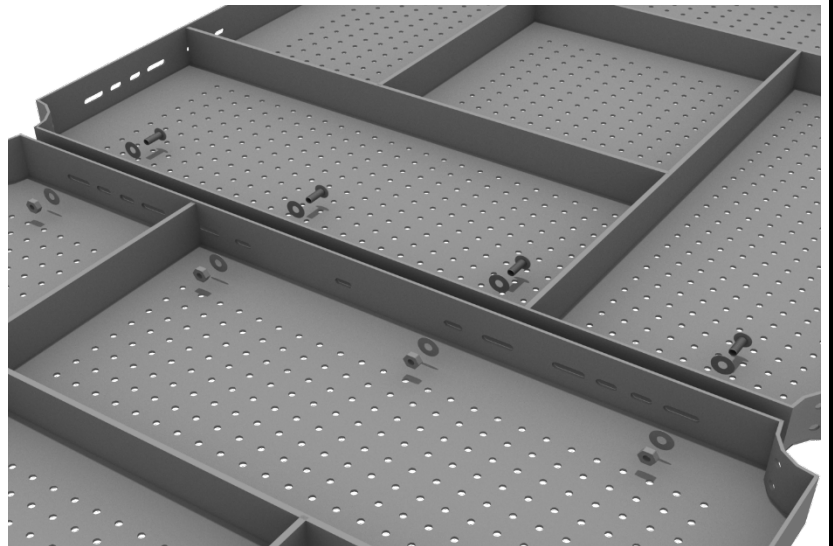
Deck clamps are pre-attached to the posts and should not be altered in any way.



3.5 Deck to Deck Attachment

STEP: 1

When installing decks that are adjacent to one another at the same height, they should be bolted together. On the underside of the deck, install using four (4) M10*25 Bolts, eight (8) M10 Washers, and four (4) M10 Lock Nuts. Repeat this process for every set of adjacent decks.



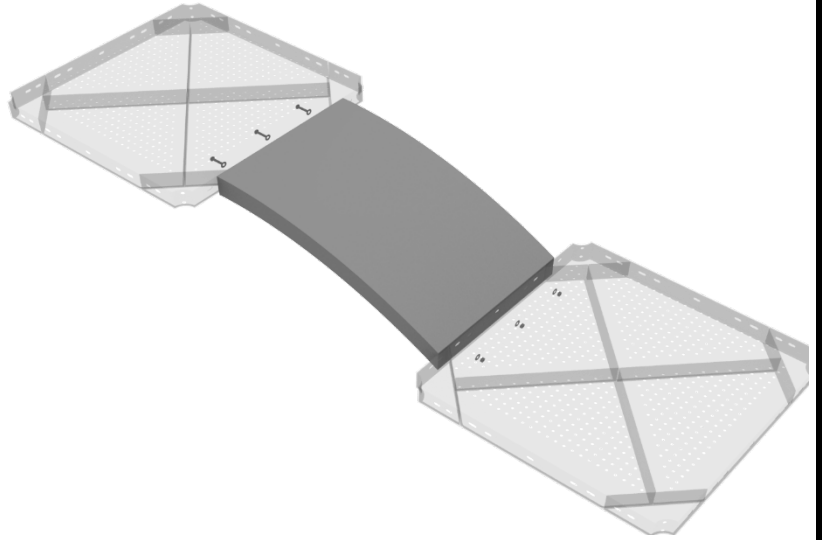
10859 Washington
St. Suite 200,
Indianapolis, IN
1-800-667-0097

Created By: Derick H
Date: 7/31/2018

3.5-inch Incline Arch Bridge Installation

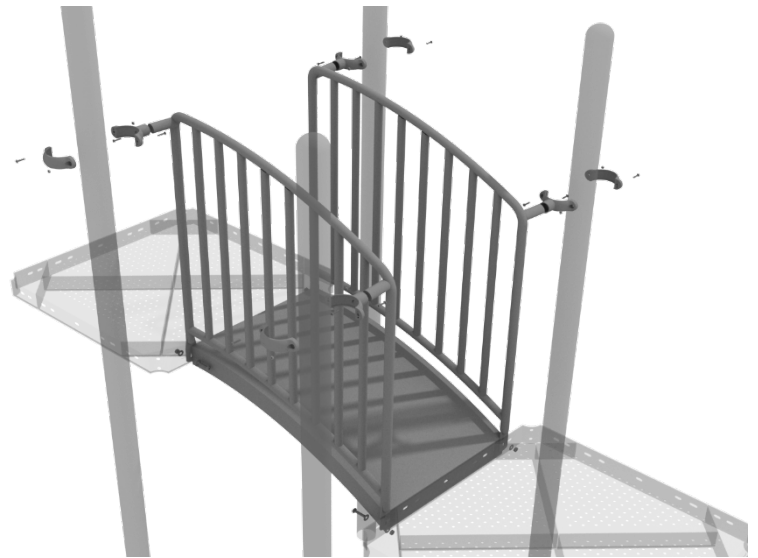
STEP: 1

Attach the incline Arch Bridge to the proper decks using three (3) M10*25 bolts, six (6) M10 washers, and three (3) M10 lock nuts for each deck.

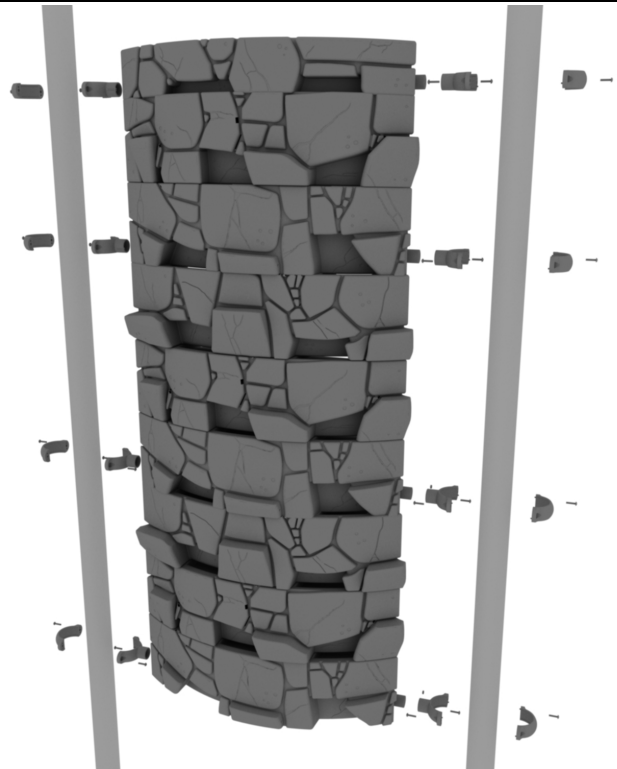


STEP: 2

Then, once the bridge is in place, attach the Incline Arch Bridge handrails to the posts using four (4) 3.5-inch tube clamps, and four (4) M8*30 bolts. Then, attach the bottom of the handrails to the decks using one (1) M10*25 bolt, two (2) M10 washers, and one (1) M10 lock nut for each attachment point.



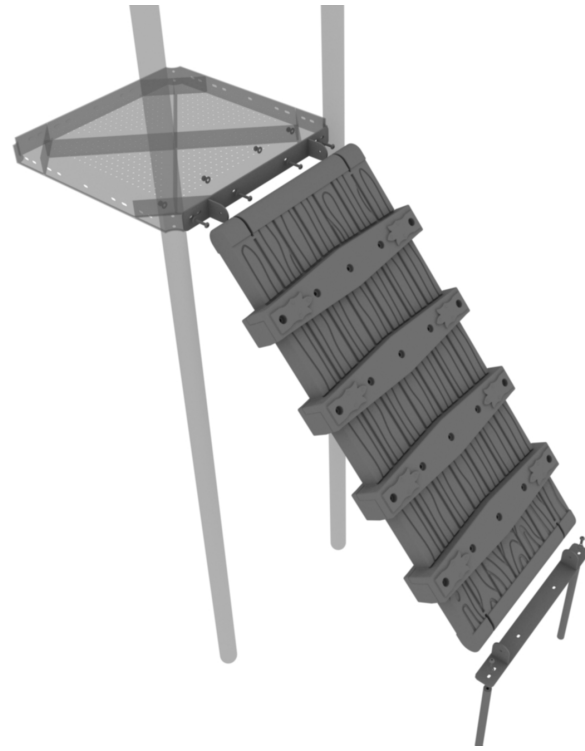
Attach the Castle Rock Wall Climbing Panel to the appropriate posts with 3.5-Inch tube clamps using the provided hardware.



3.5-Inch Draw Bridge Climber Installation

STEP: 1

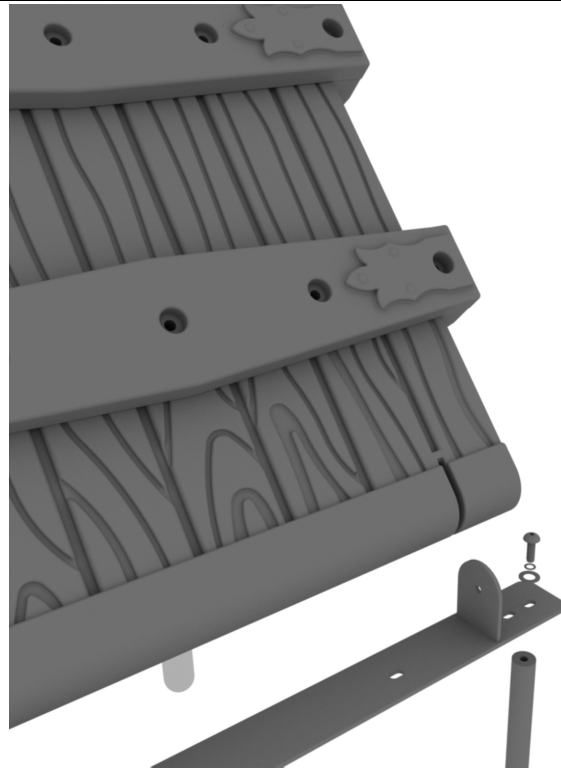
Detach both of the brackets and the provided hardware on each end of the climber.



STEP: 2

Attach the provided support mounts to the top and bottom of the climber using the provided hardware.

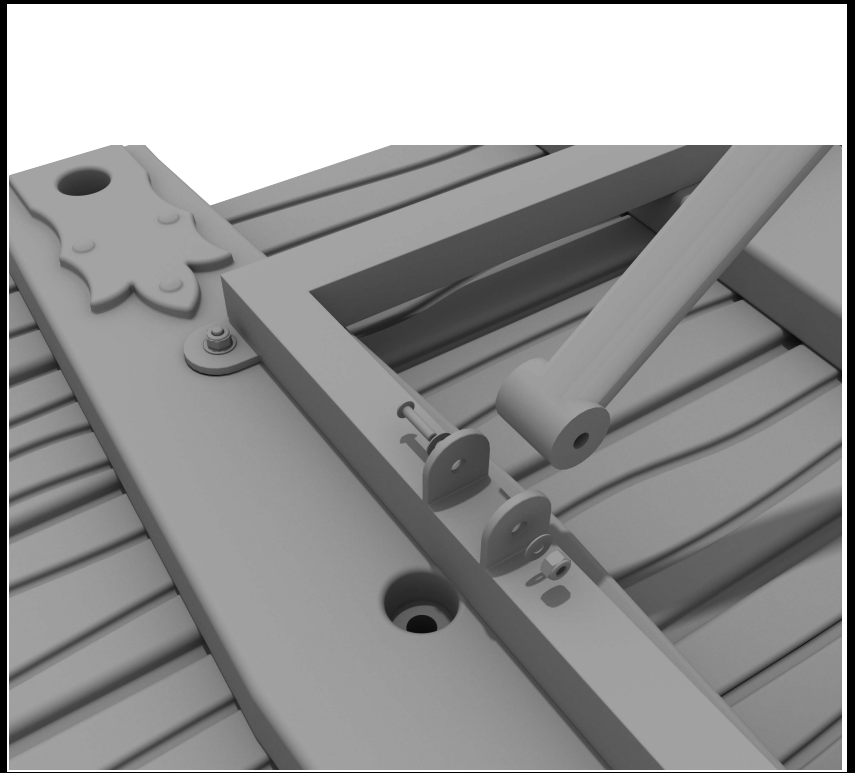
Reference the general installation guide regarding footing information.



3.5-Inch Draw Bridge Climber Installation

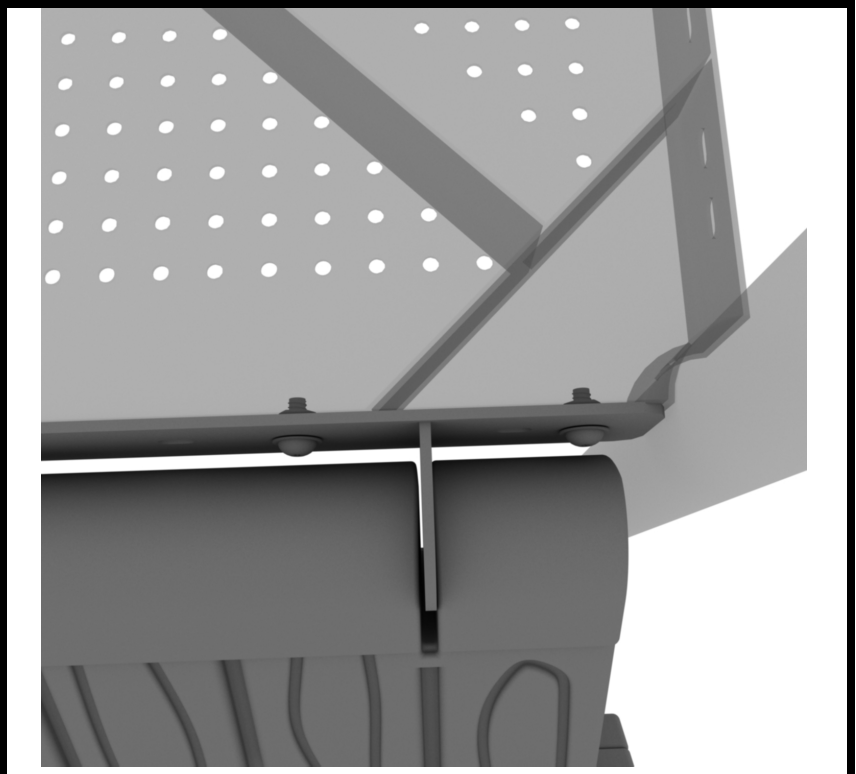
STEP: 3

Mount the Support Leg to the underside of the climber's frame with the provided hardware. Repeat this step for all supplied Support Legs.



STEP: 4

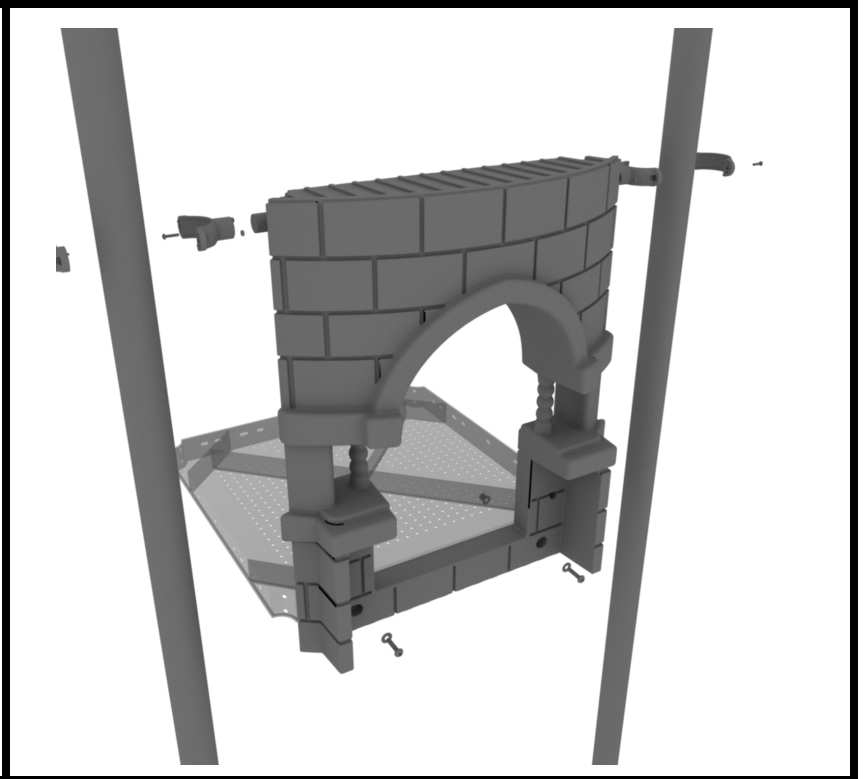
Attach the climbers mounted bracket to the deck with the provided hardware.



3.5-Inch 3-Foot Right Turn Slide Installation

STEP: 1

Take one (1) 3.5-Inch tube clamp, and loosely attach it around a post using the bolts and nuts provided in the clamp hardware bag. Repeat this process on the other post. Then, use one (1) M8*40 bolt, one (1) M8 washer, and one (1) M8 lock nut for each connection point. Leave bolts loose until slide is in place.



STEP: 2

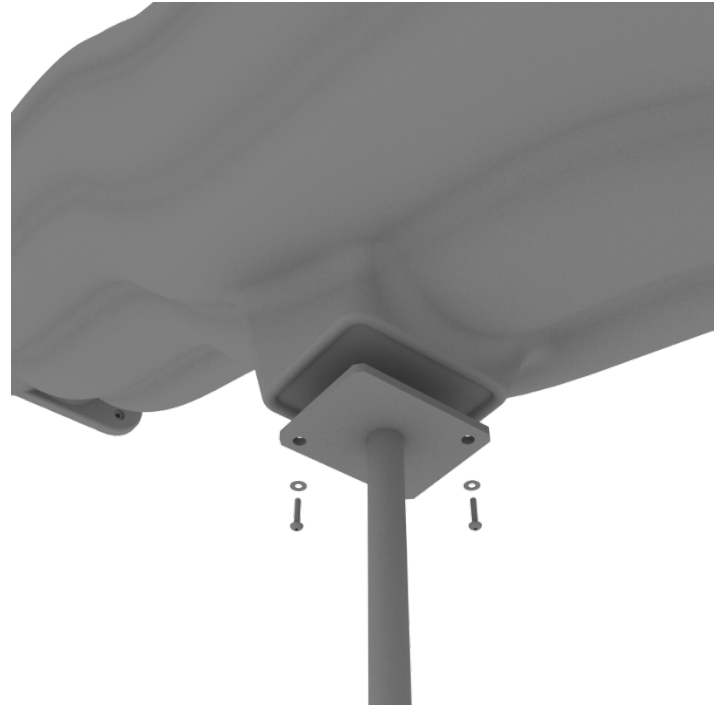
See general installation guide regarding footing information for the slide end mount. Using two (2) M8*20, two (M8) spring washers. And two (2) M8 washers, attach the slide to the slide support post.



3.5-Inch 3-Foot Right Turn Slide Installation

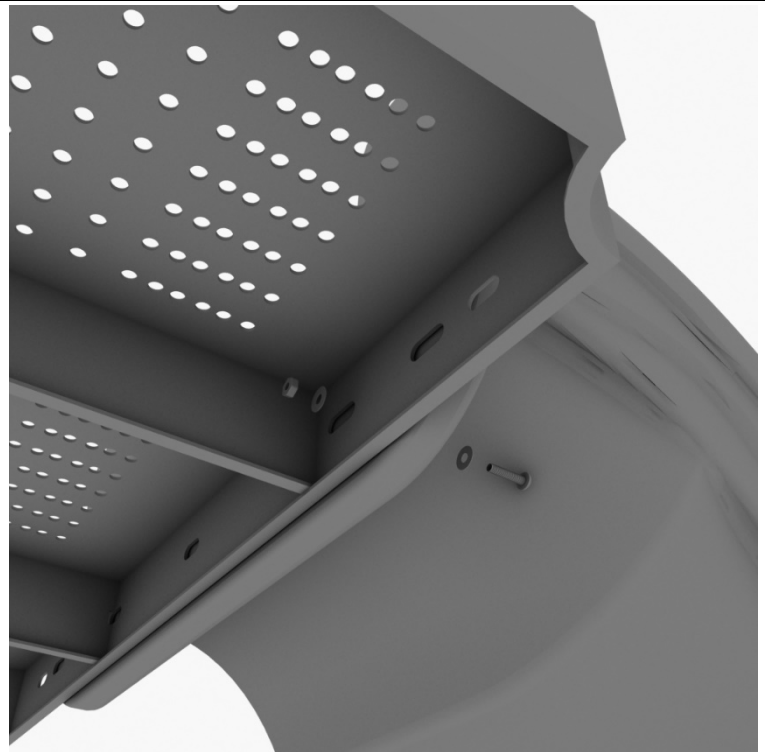
STEP: 3

See general installation guide regarding footing information for the middle slide support. Using two (2) M8*20 bolts, two (2) M8 spring washers, and two (2) M8 washers, attach the middle slide support post. Repeat the process for each middle slide mount.



STEP: 4

To attach a single slide to a deck, use two (2) M10*45 bolts, four (4) M10 washers, and two (2) M10 lock nuts. Repeat this process for the other side of the slide. Repeat this process for each single slide.



3.5-Inch 3-Foot Right Turn Slide Installation

STEP: 5

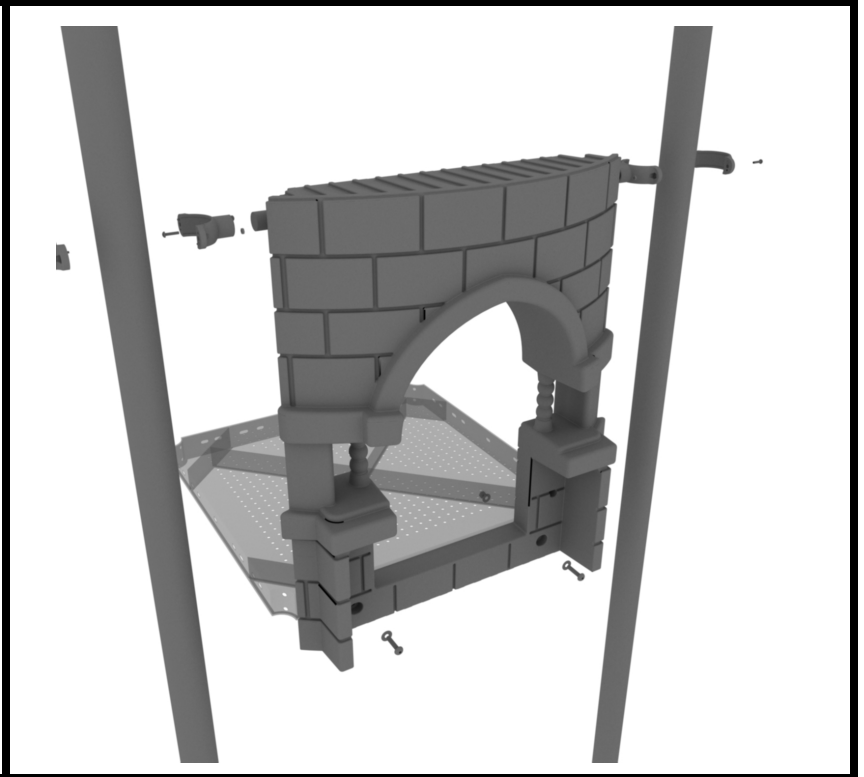
Using two (2) M8*45 bolts, two (2) M8 washer, two (2) M12 washers, and one (1) M12 inner hex spiral nut, attach the slide to the slide hood. Repeat this process for the other side of the slide.



3.5-Inch 3-Foot Left Turn Slide Installation

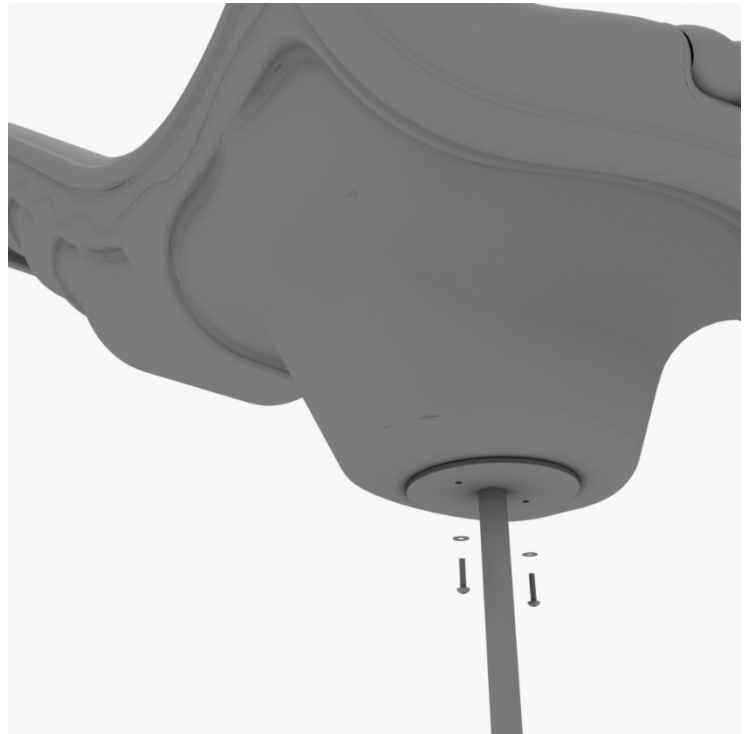
STEP: 1

Take one (1) 3.5-Inch tube clamp, and loosely attach it around a post using the bolts and nuts provided in the clamp hardware bag. Repeat this process on the other post. Then, use one (1) M8*40 bolt, one (1) M8 washer, and one (1) M8 lock nut for each connection point. Leave bolts loose until slide is in place.



STEP: 2

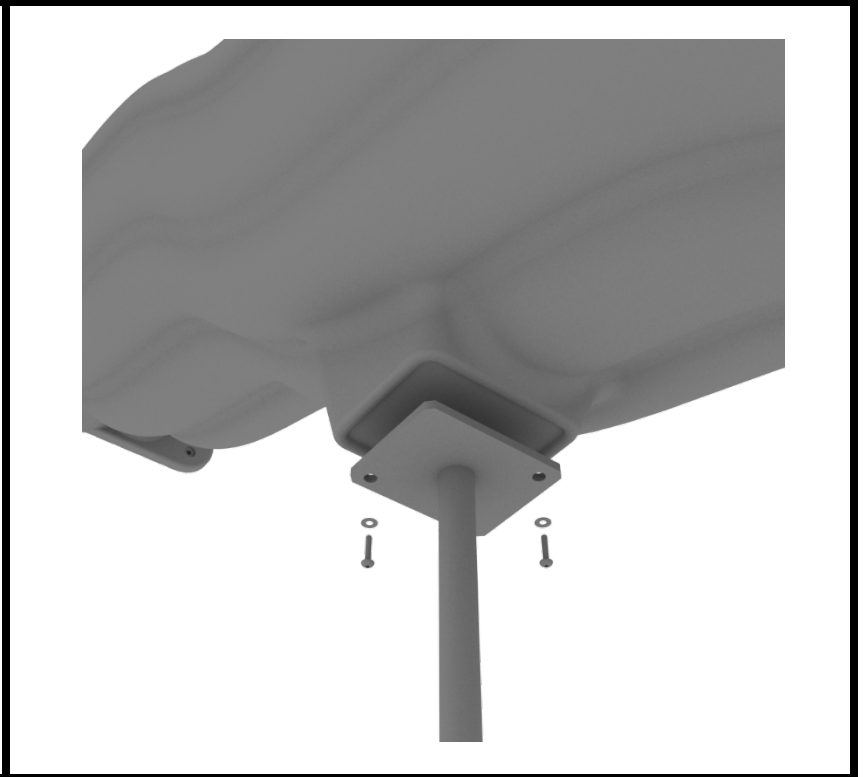
See general installation guide regarding footing information for the slide end mount. Using two (2) M8*20, two (M8) spring washers. And two (2) M8 washers, attach the slide to the slide support post.



3.5-Inch 3-Foot Left Turn Slide Installation

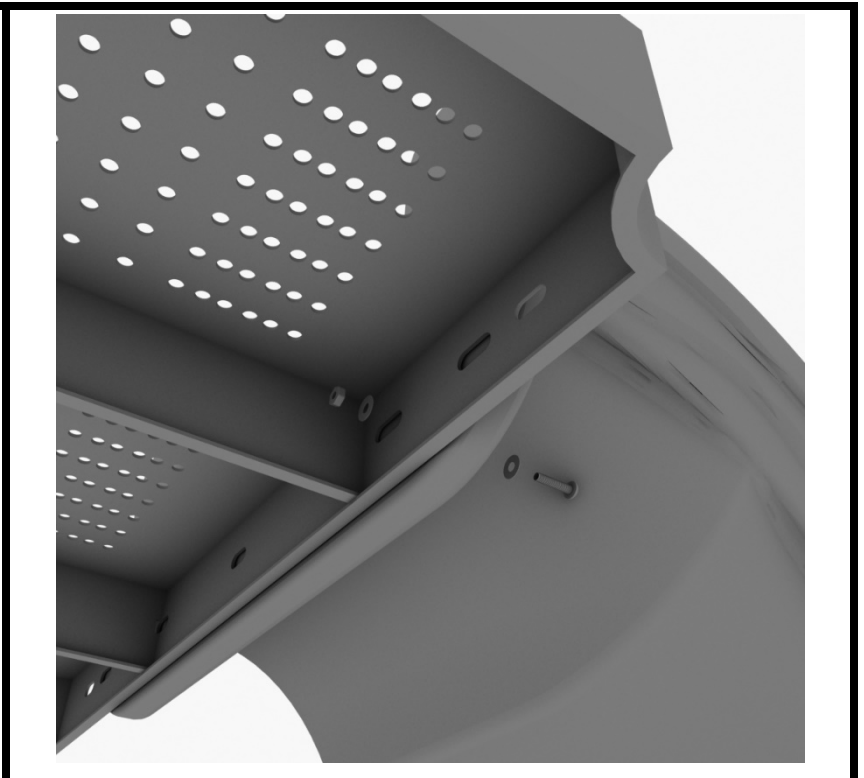
STEP: 3

See general installation guide regarding footing information for the middle slide support. Using two (2) M8*20 bolts, two (2) M8 spring washers, and two (2) M8 washers, attach the middle slide support post. Repeat the process for each middle slide mount.



STEP: 4

To attach a single slide to a deck, use two (2) M10*45 bolts, four (4) M10 washers, and two (2) M10 lock nuts. Repeat this process for the other side of the slide. Repeat this process for each single slide.



3.5-Inch 3-Foot Left Turn Slide Installation

STEP: 5

Using two (2) M8*45 bolts, two (2) M8 washer, two (2) M12 washers, and one (1) M12 inner hex spiral nut, attach the slide to the slide hood. Repeat this process for the other side of the slide.

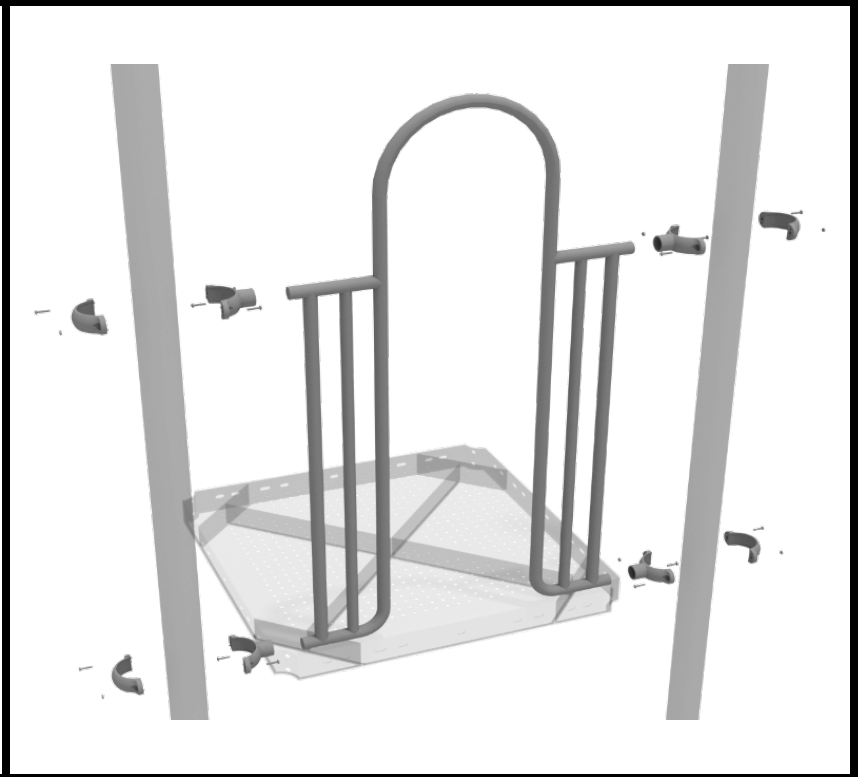


3.5-inch 4-Clamp Arch Rail Installation

STEP: 1

Attach the Arch Rail to the designated posts by connect half of the tube clamp to the arch rail using one (1) M8*30 bolt. Repeat this process for each attachment point.

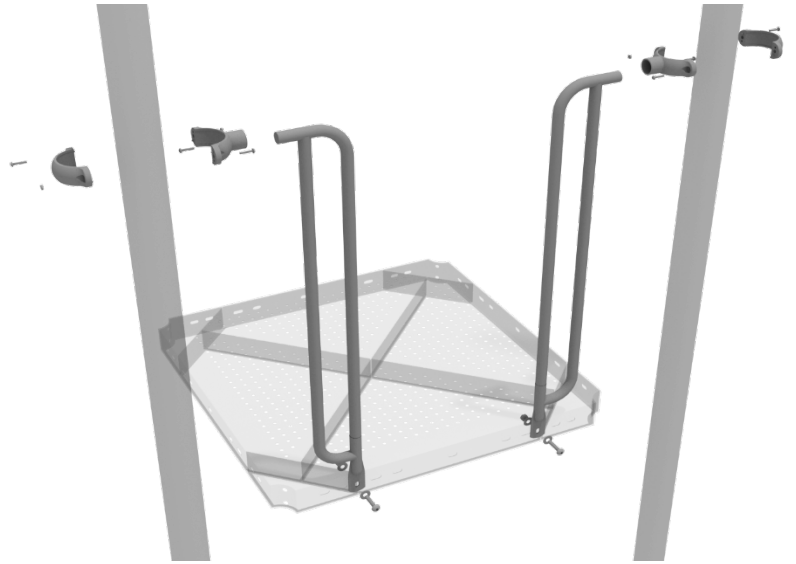
Set the arch rail into place, then attach the second half of the clamp around the post. The gap between the deck and the bottom of the rail should be no more than 3 inches.



7-Rail Installation

STEP: 1

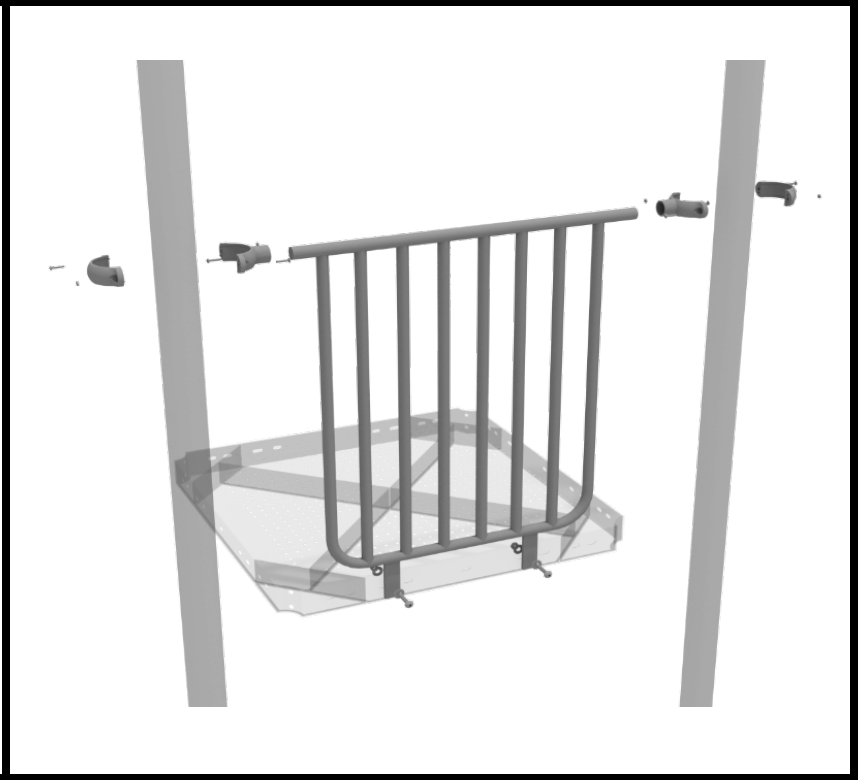
Attach each 7-Rail to the designated posts using one (1) tube clamp and one (1) M8*30 Bolt. Then, attach the bottom of the 7-Rail to the deck using one (1) M10*25 Bolt, two (2) M10 Washers, and one (1) M10 Lock Nut.



3.5-inch Metal Barrier Installation

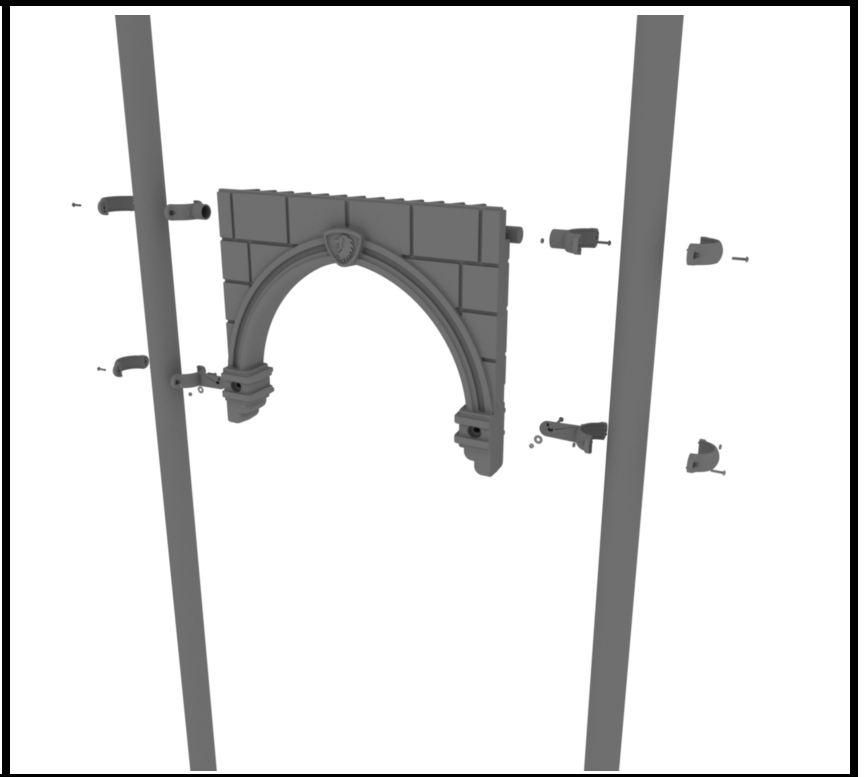
STEP: 1

Attach the metal barrier to the designated posts using two (2) tube clamps two (2) M8*30 bolts. Then, attach the bottom of the metal barrier to the deck using two (2) M10*25 bolts, four (4) M10 washers, and two (2) M10 lock nuts.



3.5-Inch Castle Arch Panel Installation

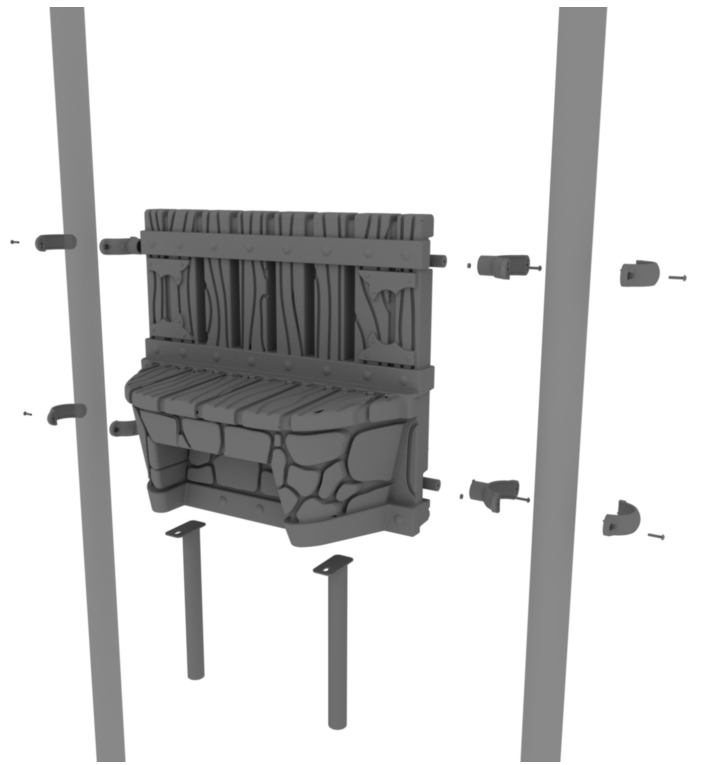
Attach the Roof Topper to the designated posts using two (2) tube clamps, two (2) flat clamps, and four (4) M4*25 Set Screws.



3.5-Inch Castle Bench Panel Installation

Install four (4) Tube Clamps to the panel following the Clamp Installation Guide.

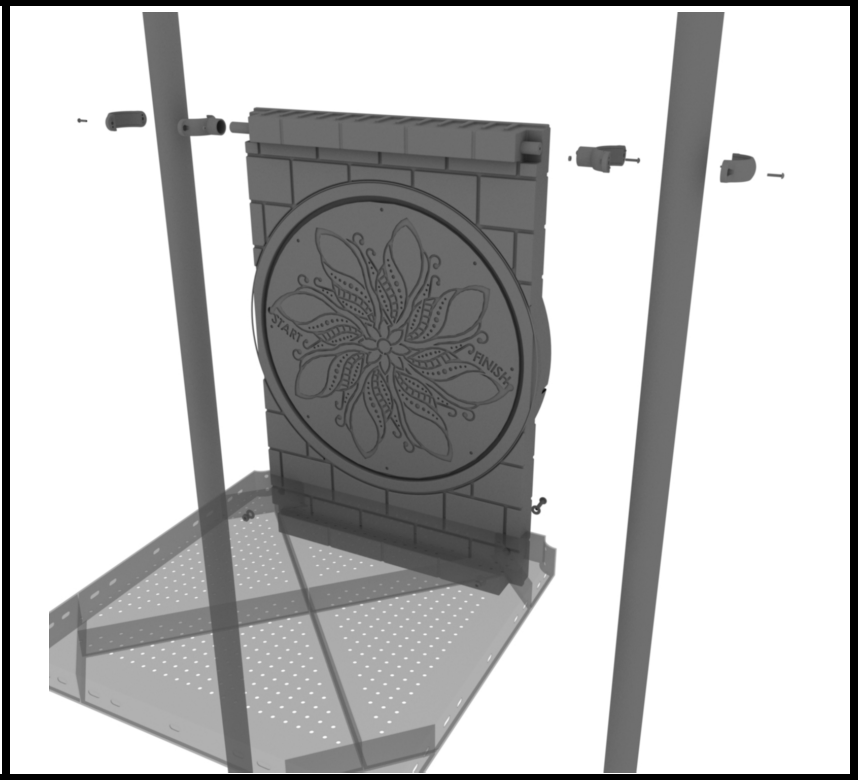
Attach two (2) Single Hole Mounts to the underside of the Bench Panel using the (x2) M10 Bolts and (x2) M10 Washers.



3.5-Inch Castle Finger Maze Panel Installation

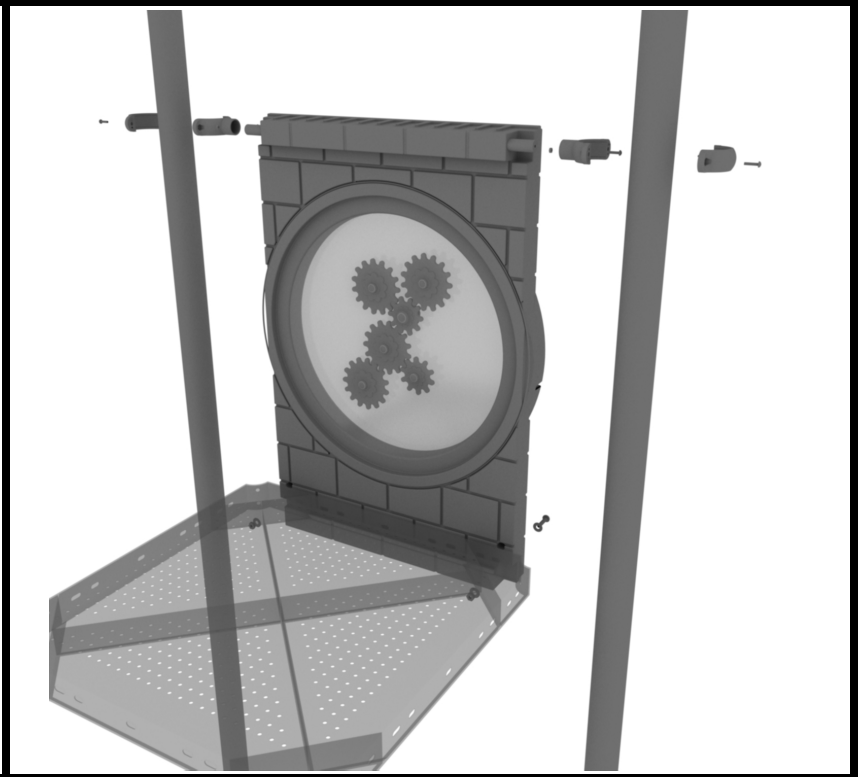
Attach the Finger Maze Panel to the designated posts using two (2) tube clamps two (2) M4*25 Set Screws.

Then, attach the bottom of the panel to the deck using two (2) M10*50 bolts, four (4) M10 washers, and two (2) M10 lock nuts.

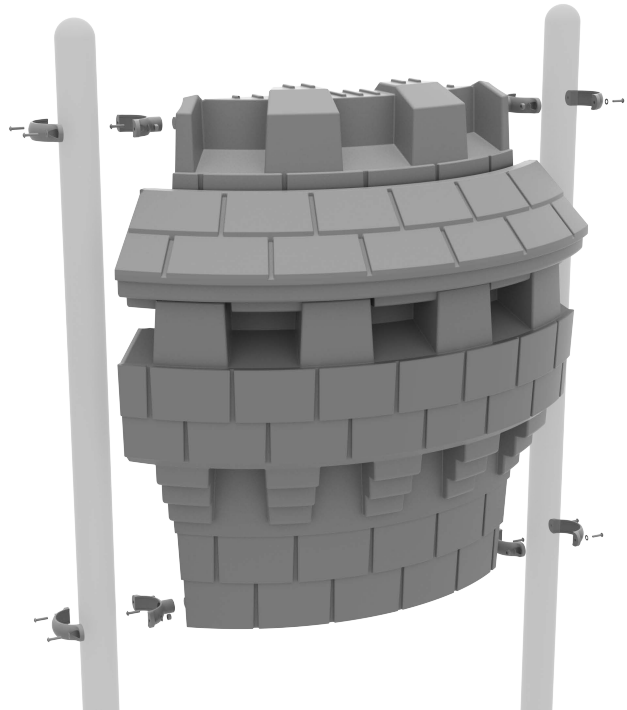


3.5-Inch Castle Gear Panel Installation

Attach the Plinko Panel to the designated posts using two (2) tube clamps two (2) M4*25 Set Screws. Then, attach the bottom of the panel to the deck using two (2) M10*50 bolts, four (4) M10 washers, and two (2) M10 lock nuts.

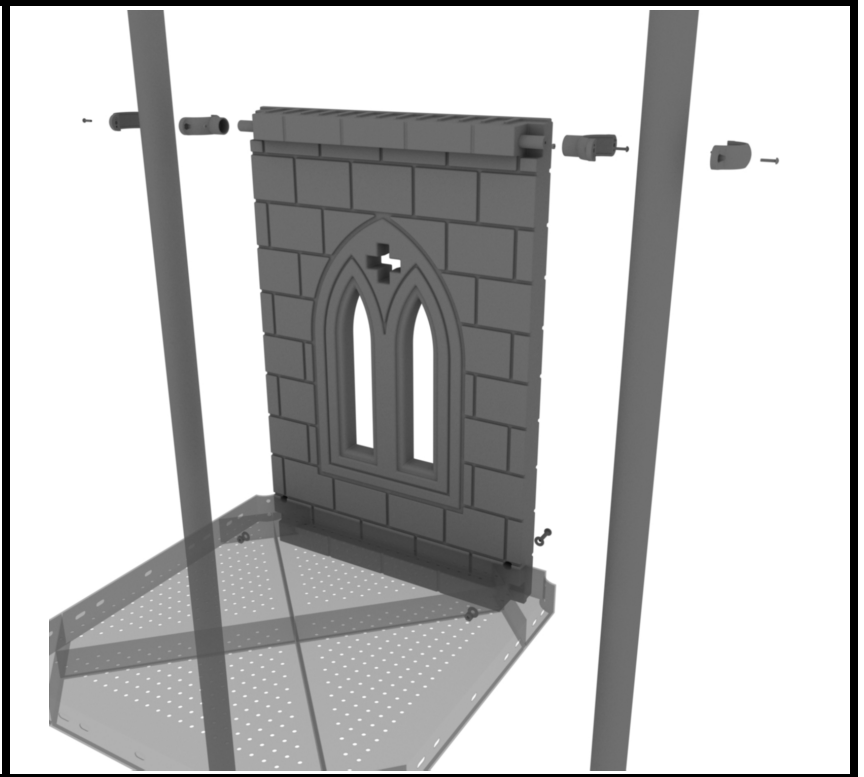


Connect the Curved Rampart Panel to the designated post using four (4) 3.5-inch tube clamps.



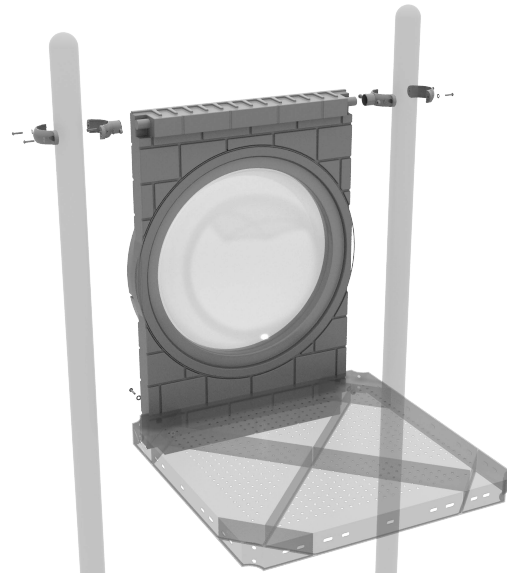
3.5-Inch Flat Brick Window Panel Installation

Attach the Flat Brick Window Panel to the designated posts using two (2) tube clamps two (2) M4*25 Set Screws. Then, attach the bottom of the panel to the deck using two (2) M10*50 bolts, four (4) M10 washers, and two (2) M10 lock nuts.



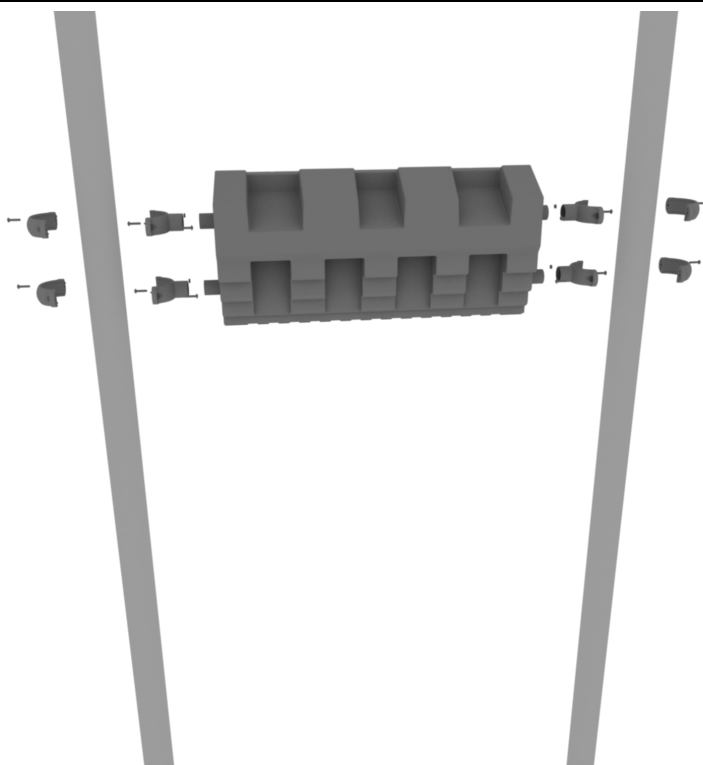
3.5-Inch Castle Bubble Panel Installation

Attach the Bubble Panel to the designated posts using two (2) tube clamps two (2) M4*25 Set Screws. Then, attach the bottom of the panel to the deck using two (2) M10*50 bolts, four (4) M10 washers, and two (2) M10 lock nuts.



3.5-Inch Flat Castle Rampart Roof Panel Installation

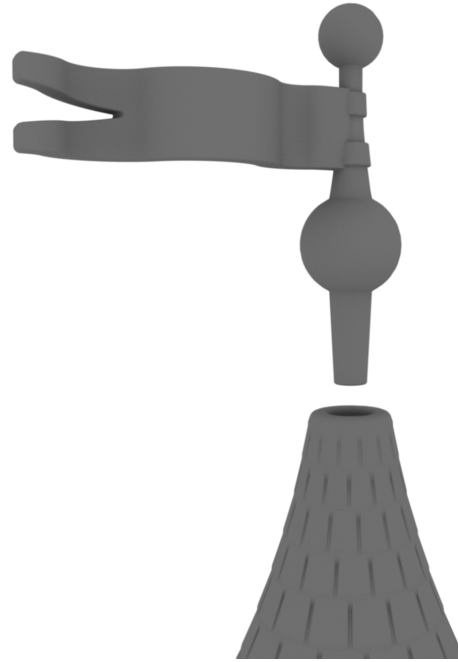
Attach the Roof Topper to the designated posts using four (4) tube clamps four (4) M4*25 Set Screws.



Flag Topper and Roof Installation

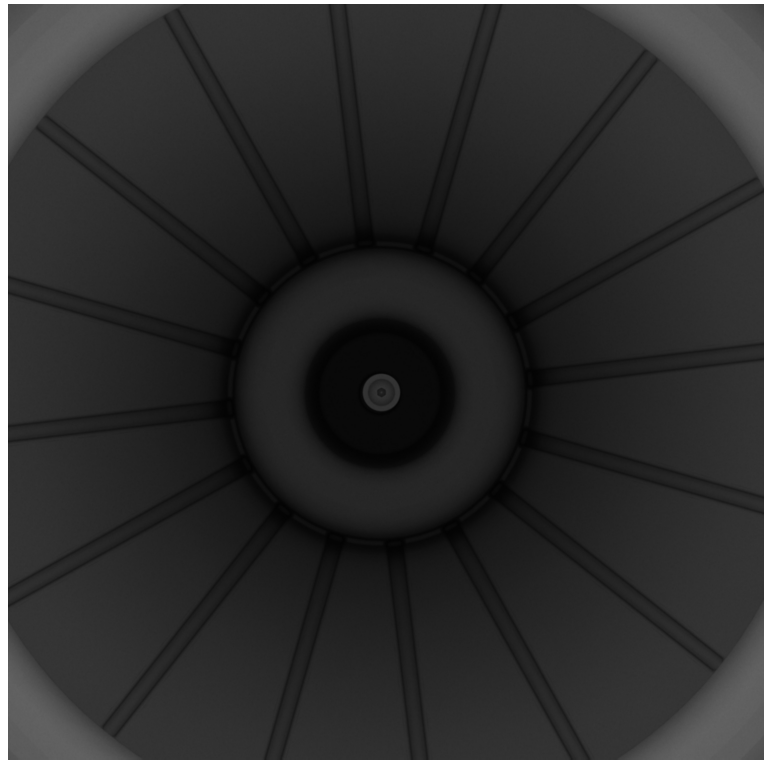
STEP: 1

Attach The Old Wizard's College topper to the roof by inserting into the top socket.



STEP: 2

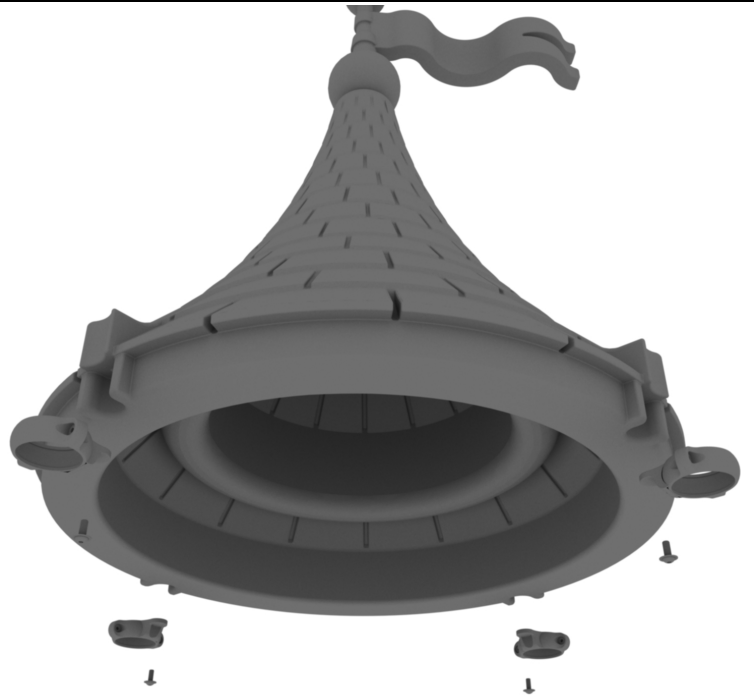
Bolt the topper and secure with the provided hardware.



Flag Topper and Roof Installation

STEP: 3

Attach the clamps to the connection points of the roof using the provided hardware



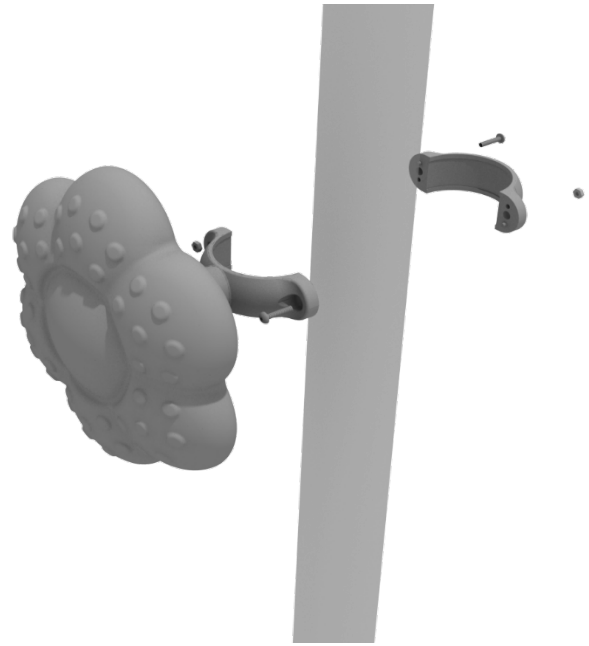
Rain Wheel Installation

Detach half of the tube clamp connected to the Rain Wheel, and re-attach the clamp around the support post, as shown in the picture.

Recommended install height is 20 to 36 inches above surfacing depending on age range.

We recommend using Thread-locking fluid on bolts connecting Rain wheel to clamp to prevent hardware from loosening over time.

(Thread-locker not supplied)

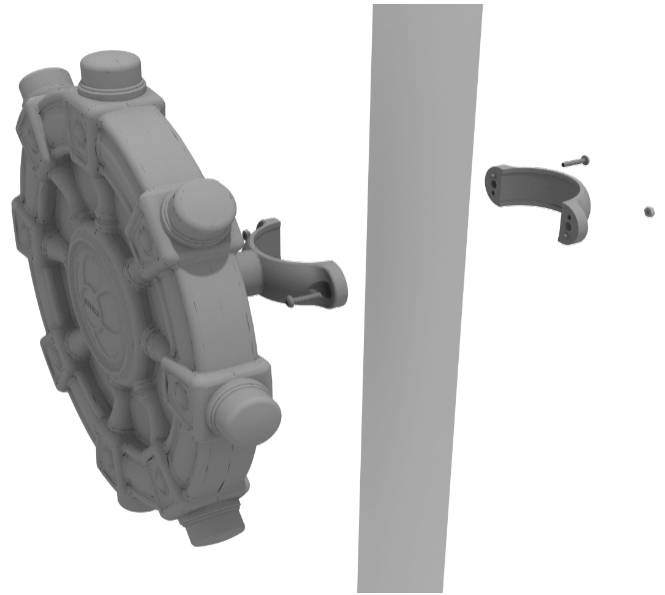


Ships Wheel Installation

Detach half of the tube clamp connected to the Ships Wheel, and re-attach the clamp around the support post, as shown in the picture. Recommended install height is 20 to 36 inches above surfacing depending on age range.

We recommend using Thread-locking fluid on bolts connecting Ship's wheel to clamp to prevent hardware from loosening over time.

(Thread-locker not supplied)



Single Drum Installation

Detach half of the tube clamps connected to the Single Drum, and re-attach the clamps around the support post, as shown in the image. Recommended install height is 20 to 36 inches above surfacing depending on age range.

We recommend using Thread-locking fluid on bolts connecting Single Drum to clamp to prevent hardware from loosening over time.

(Thread-locker not supplied)

