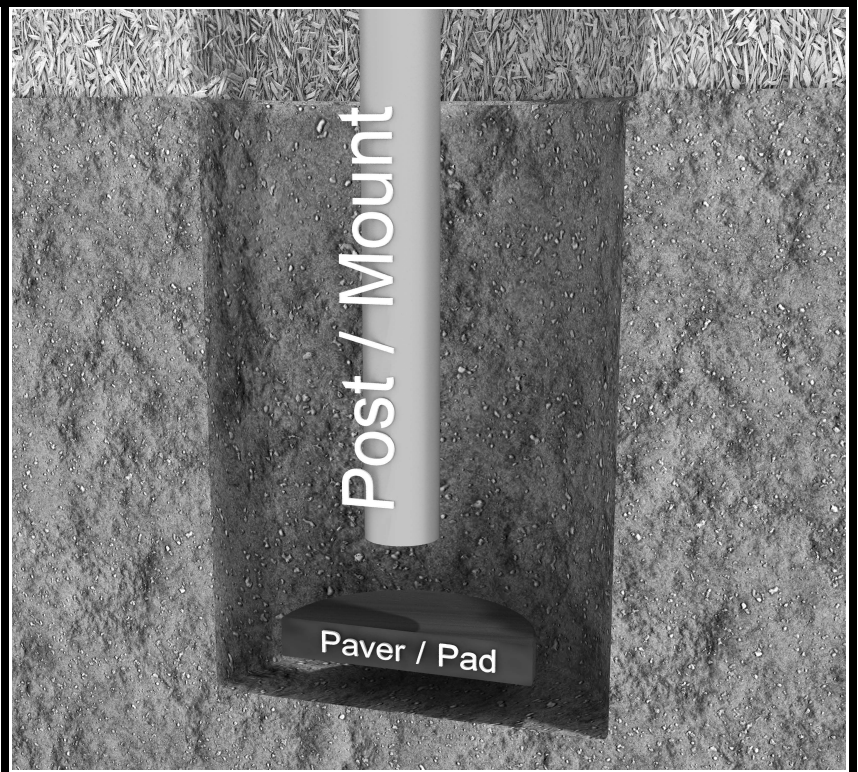


Inground Post/Mount Installation

STEP: 1

DO NOT CEMENT POSTS/MOUNTS INTO PLACE UNTIL THE ENTIRE STRUCTURE IS ASSEMBLED.

Refer to the General Installation guide footing size information and digging proper holes for the support posts/mounts.



10859 E Washington St. Suite 200
Indianapolis, IN 46229
1-800-667-0097

Created By: Gage Brown
Date: 04/26/2018

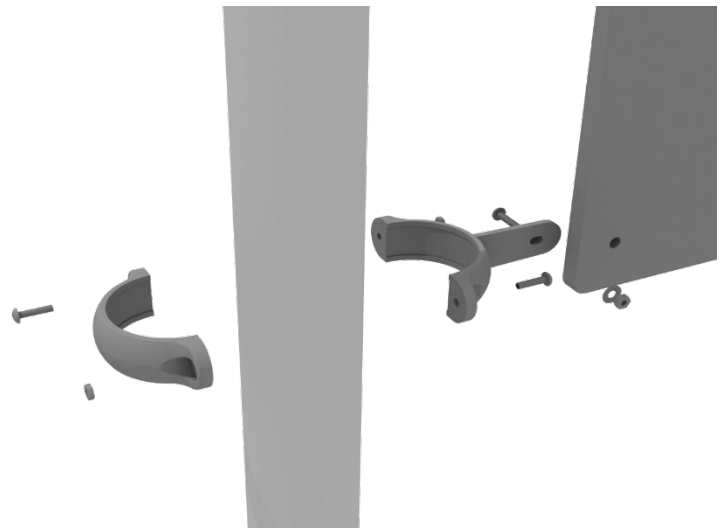
4.5-inch Clamp Installation Examples

The following two pages will include examples of how to install some of the most common types of Clamps that are present on our structures that use 4.5-inch outside diameter posts. The structure that you are assembling might not require all the types of clamps listed in these examples.

The Install Guides for specific components that come later in this document might call for a specific type of clamp (a tube clamp for example), those sections will not include detailed instructions for the clamps and should direct you back to this section for more detailed information.

4.5-inch Flat Clamp Installation Example

Connect half of the flat clamp to the component using one (1) M8*30 bolt and Lock Nut. Then, using the other half of the flat clamp and the hardware provided in the clamp hardware bag, attach the backside of the flat clamp around the post.



4.5-inch Clamp Installation Examples

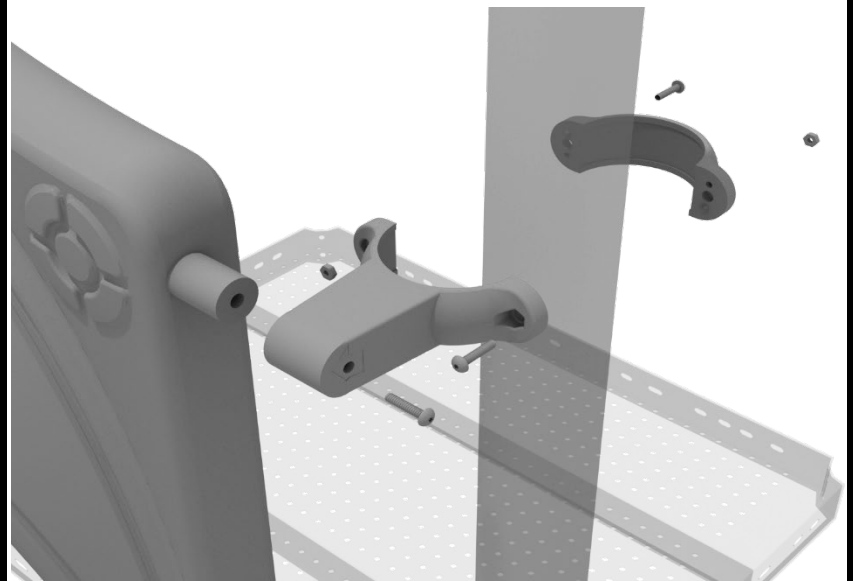
4.5-inch Tube Clamp Installation Example

Insert Bar on Component into one half of the Tube Clamp and attach with M4*25 Set Screw. Then, using the other half of the tube clamp and the hardware provided in the clamp hardware bag, attach the backside of the tube clamp around the post.



4.5-inch Double Slide Clamp Installation Example

Connect half of the double slide clamp to the double slide hood using one (1) M8*30 bolt. Then, using the other half of the clamp and the hardware provided in the clamp hardware bag, attach the backside of the double slide clamp around the post.



ADA Ramp Install Guide

STEP: 1

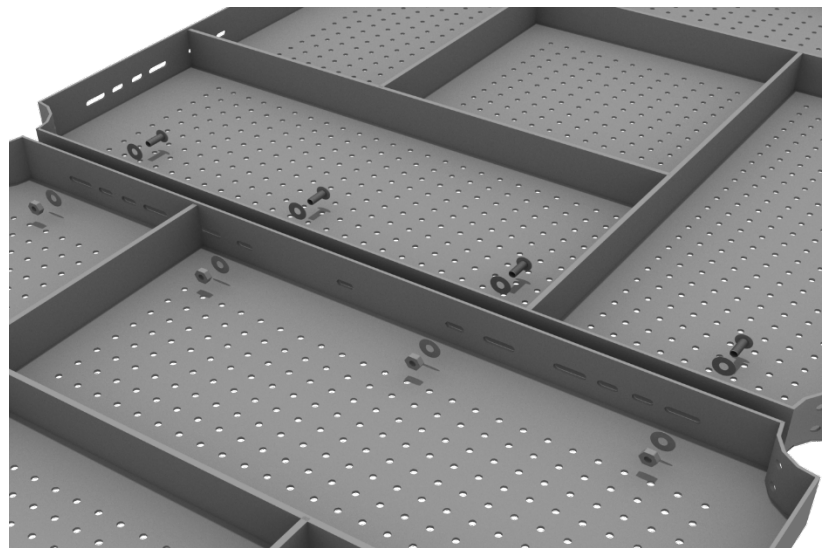
Some of the ADA Ramp sections will attach to the posts using deck clamps. Each deck clamp will attach to the ramp using one (1) M10*35 bolt, two (2) M10 washers, and one (1) M10 lock nut.

Deck clamps are pre-attached to the posts and should not be altered in any way.



STEP: 2

The ADA Ramps connect to each other and to flat decks. On the underside of the deck, install using four (4) M10*25 Bolts, eight (8) M10 Washers, and four (4) M10 Lock Nuts. Repeat this process for every connection point.



STEP: 3

The ADA Ramp Handrails attach using tube clamps. See the Clamp Install Guide for detailed instructions on tube clamps.



Square Deck Installation

STEP: 1

After the posts are in place, using four (4) M10*35 Bolts, eight (8) M10 Washers, and four (4) M10 Lock Nuts, attach each square deck to each pre-attached deck clamp as shown in the image.

Deck clamps are pre-attached to the posts and should not be altered in any way.



Half Hex Deck Installation

STEP: 1

After the posts are in place, using five (5) M10*35 bolts, ten (10) M10 washers, and five (5) M10 lock nuts, attach the deck to each pre-attached deck clamp as shown in the image.

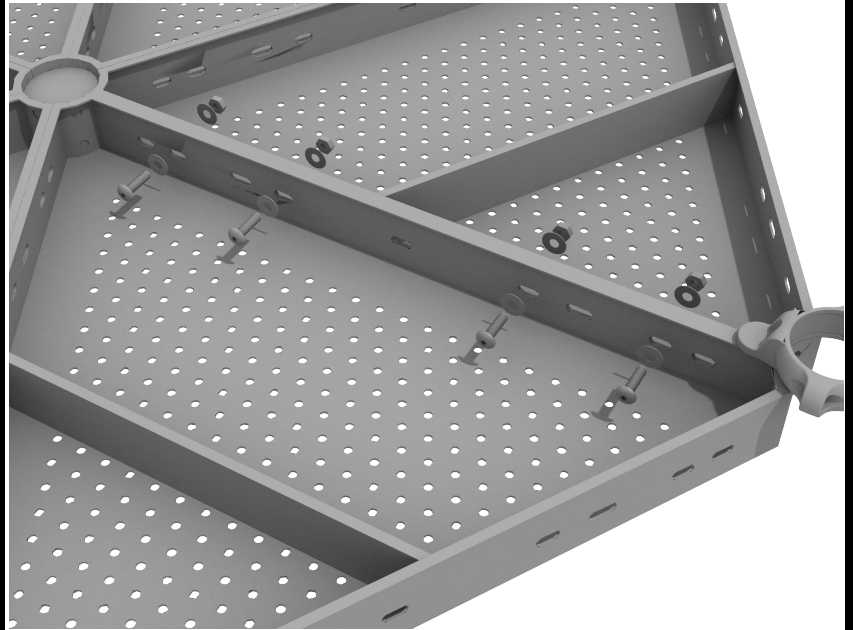
Deck clamps are pre-attached to the posts and should not be altered in any way.



Half Hex Deck Connect to Half Hex Deck

STEP: 1

When installing decks that are adjacent to one another at the same height, they should be bolted together. On the underside of the deck, install using four (4) M10*25 Bolts, eight (8) M10 Washers, and four (4) M10 Lock Nuts. Repeat this process for every set of adjacent decks.

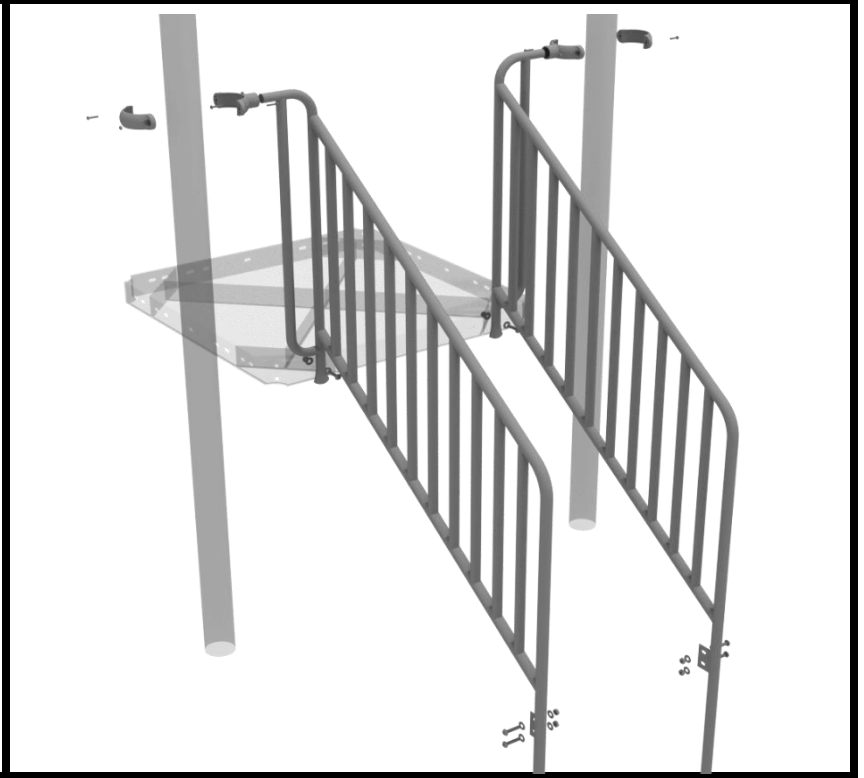


4-foot Stair Install

STEP: 1

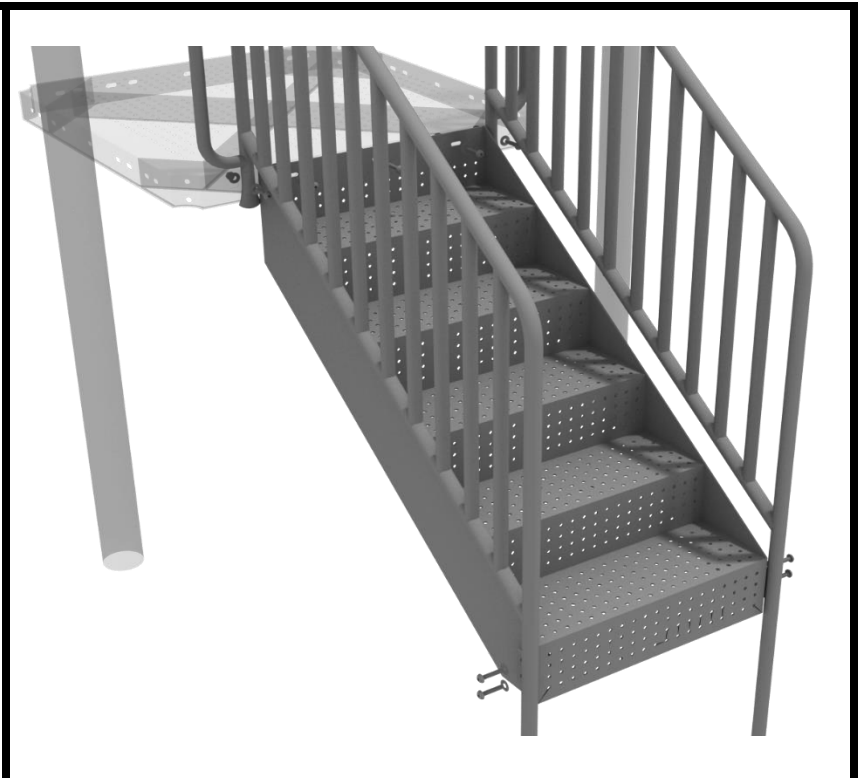
Connect the 4-foot Handrails to the designated posts using two (2) tube clamps, and two (2) M8*30 bolts.

Attach the handrails to the deck using two (2) M10*25 bolts, four (4) M10 washers, and two (2) M10 lock nuts. See the general installation guide regarding footing information for the handrails and set them into the ground.



STEP: 2

Using three (3) M10*25 bolts, six (6) M10 washers, and three (3) M10 lock nuts, attach the top of the stairs to the deck. Attach the bottom of the handrails to the bottom of the stairs using four (4) M10*25 bolts, eight (8) M10 washers, M10 lock nuts.



10859 Washington St. Suite
200, Indianapolis, IN
1-800-667-0097

Created By: Aaron Price
Date Modified: 05/23/18

Swinging Rings Install

STEP: 1

Connect the Swinging Rings Bar to the designated post using two (2) 3.5-inch tube clamps.



Pebble Step Handrail Installation

STEP: 1

See general installation guide regarding footing information for the pebble step handrail. Attach the climber to the arch rail brackets using four (4) M10*25 bolts, four (4) M10 washers, and four (4) M10 washers.



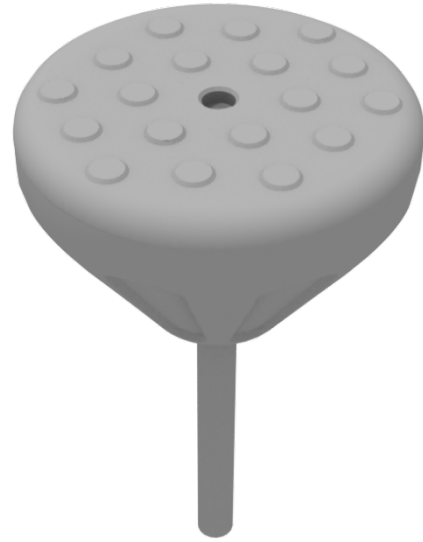
Created By: Aaron Price
Date: 05/07/2018

10859 Washington St. Suite
200, Indianapolis, IN
1-800-667-0097

Pebble Climber Installation

STEP: 1

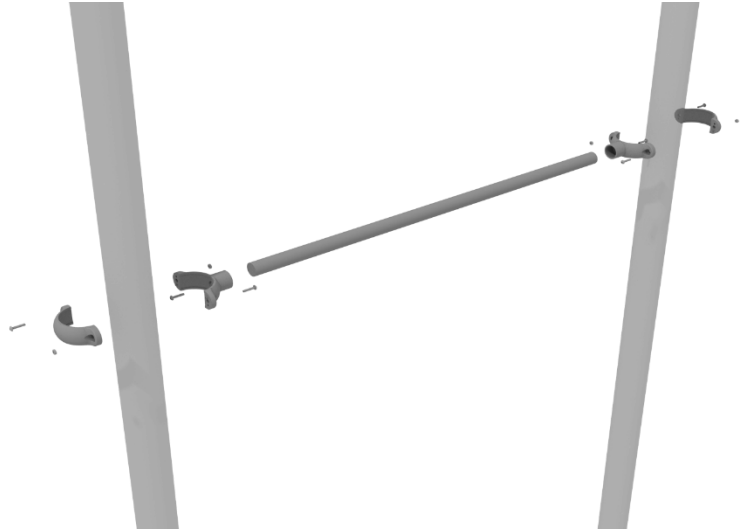
See general installation guide regarding footing information. Pebble climber requires a 12" x 18" footing.



Chin Up Bar Install

STEP: 1

Connect the Chin up Bar to the designated post using two (2) 3.5-inch tube clamps.

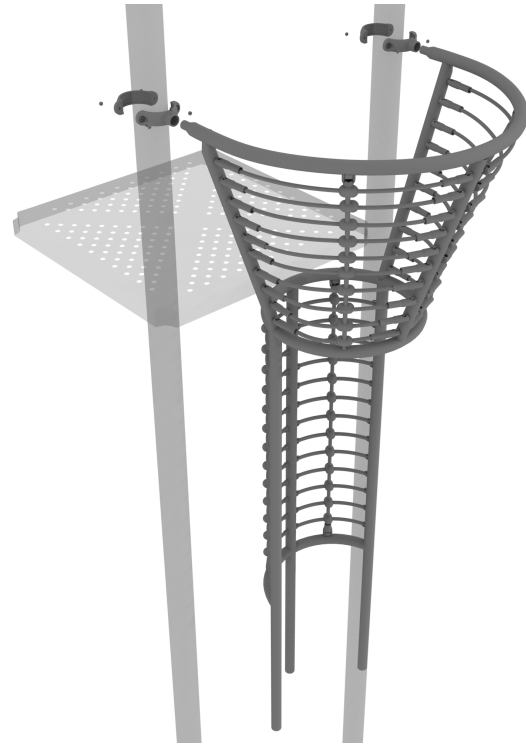


Net Funnel Climber Install

STEP: 1

Attach the Climber to the Posts and Deck using Two Tube Clamps. Install the bottom of the Climber with concrete footers.

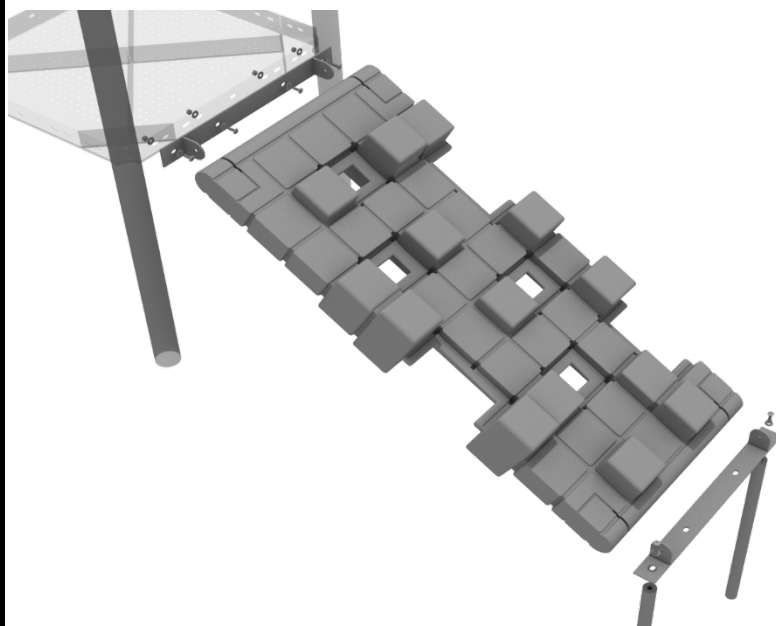
See the General Installation documentation for info on Climber Footing sizes.



Pixel Climber Installation

STEP: 1

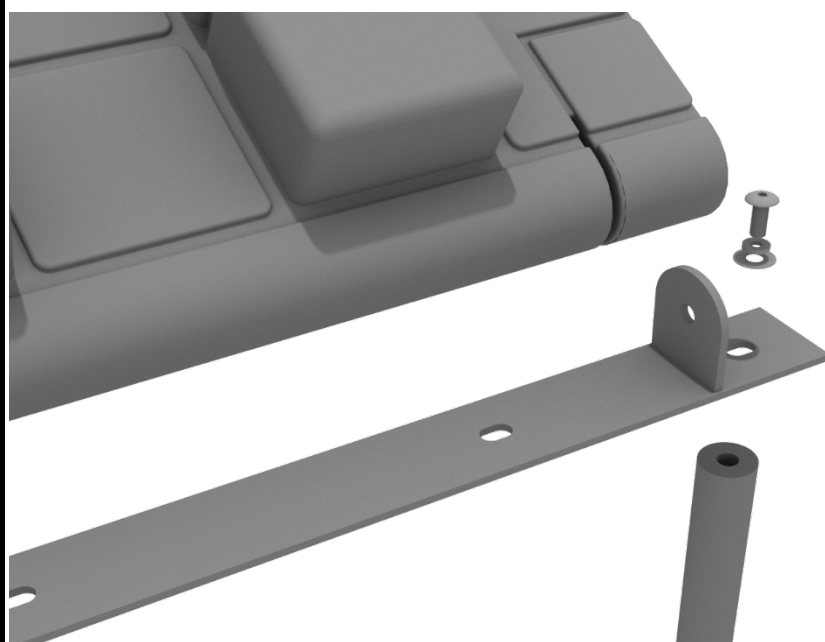
First, detach the pre-attached bracket on the end of the climber that has four (4) Bolts attached, and attach it to the designated deck.



STEP: 2

Then, attach the provided support mounts to the other side of the Pixel Climber using the pre-attached bolt.

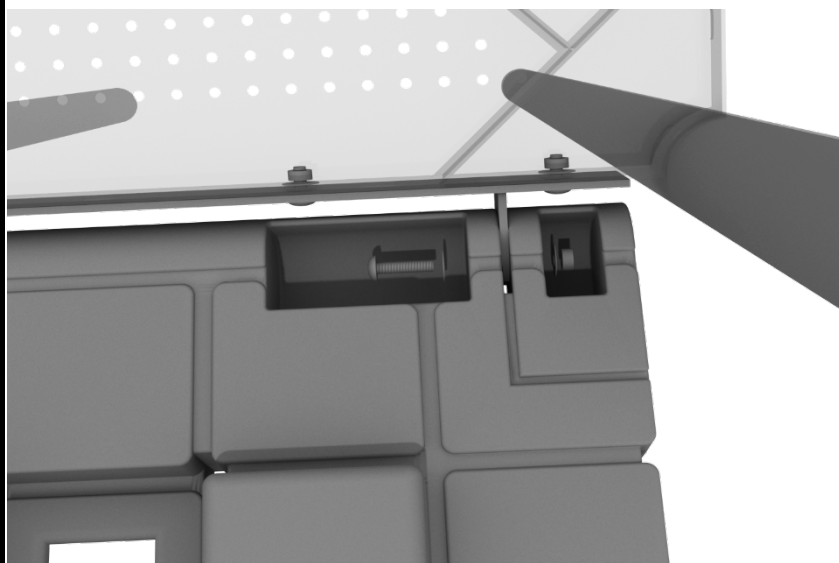
See general installation guide regarding footing information for the figure climber.



Pixel Climber Installation

STEP: 3

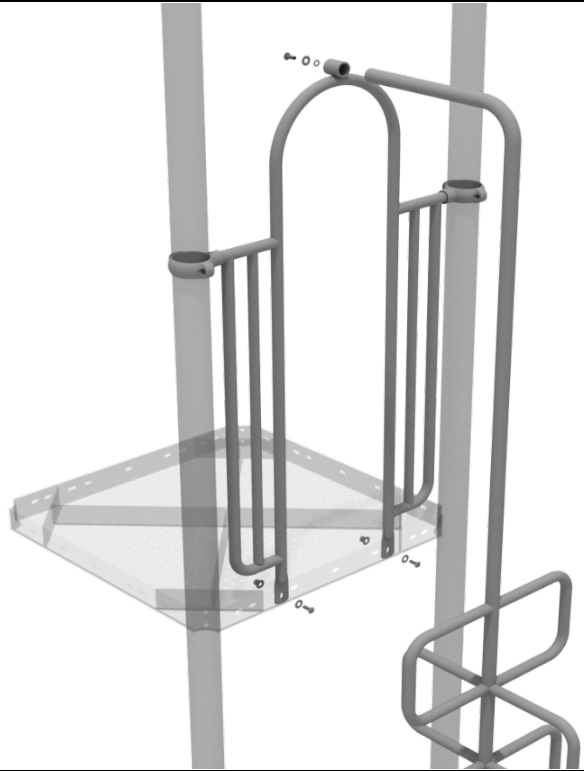
Finally, attach the climber to the mount that you attached to the deck with the pre-attached hardware.



Ribbon Climber Installation

STEP: 1

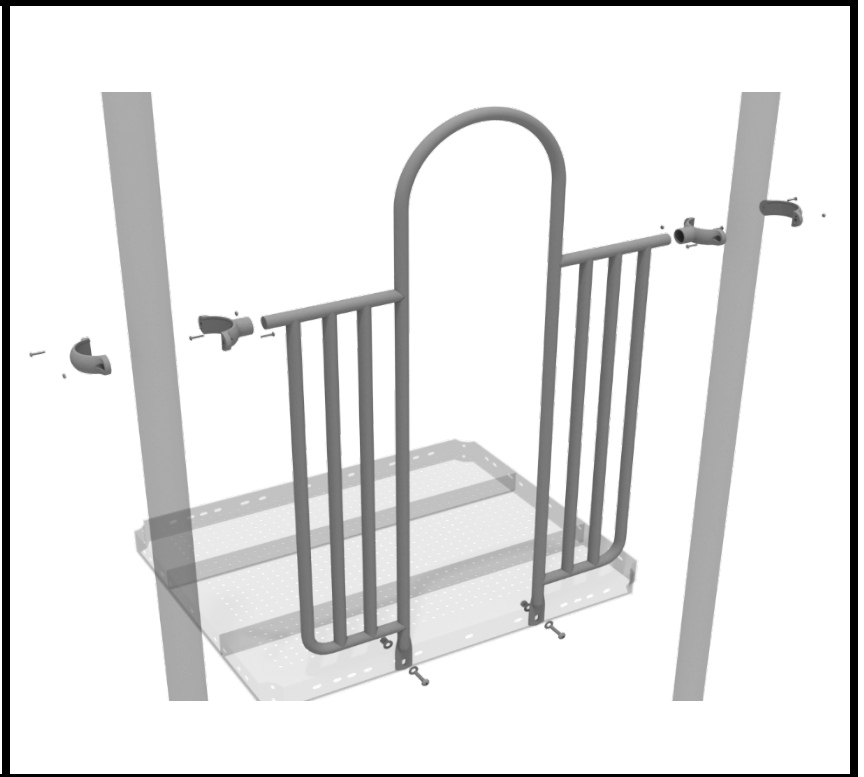
See general installation guide regarding footing information for the ribbon climber. Attach the top of the climber to the designated arch rail top bracket using one (1) M10*20 bolt, one (1) M10 spring washer, and one (1) M10 washer.



4.5-inch 2-Clamp Arch Rail Installation

STEP: 1

Attach each two-clamp arch rail to the designated deck by using two (2) tube clamps, and two (2) M4*25 self-tapping screws to attach the top of the panel to the posts. Then use two (2) M10*25 bolts, four (4) M10 washers, and two (2) M10 lock nuts to attach the panel to the deck.

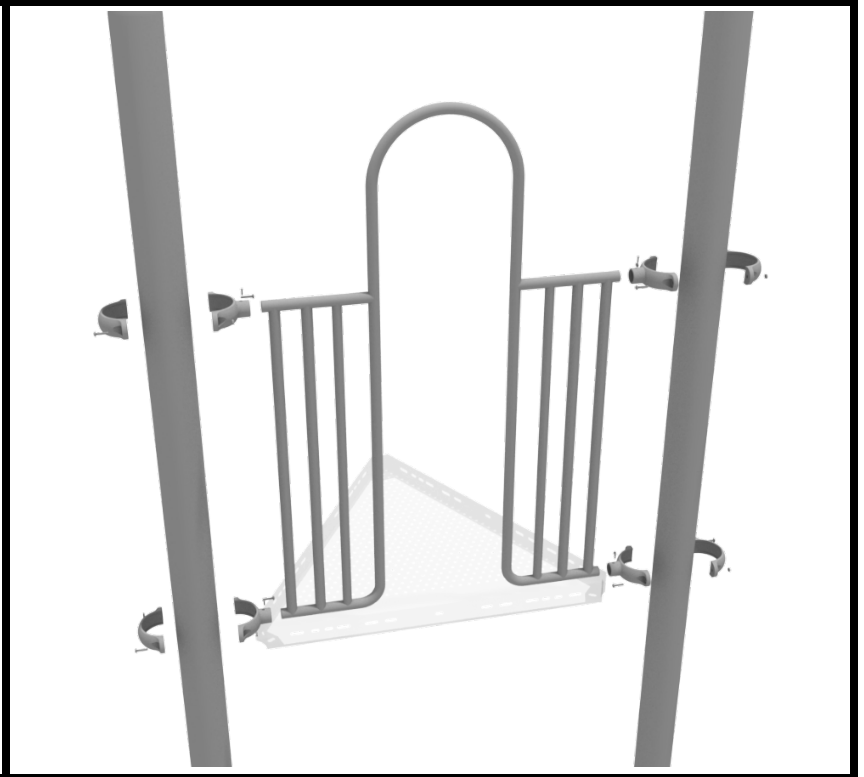


4.5-inch 4-Clamp Arch Rail Installation

STEP: 1

Attach the Arch Rail to the designated posts by connect half of the tube clamp to the arch rail using one (1) M8*30 bolt. Repeat this process for each attachment point.

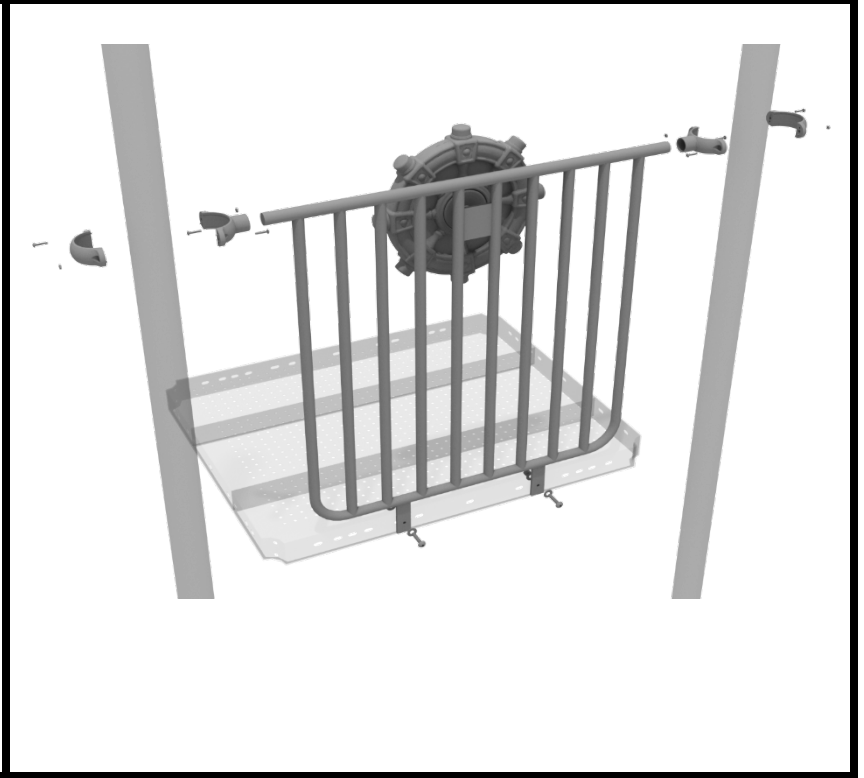
Set the arch rail into place, then attach the second half of the clamp around the post. The gap between the deck and the bottom of the rail should be no more than 3 inches.



4.5-inch Metal Barrier w/ Wheel Installation

STEP: 1

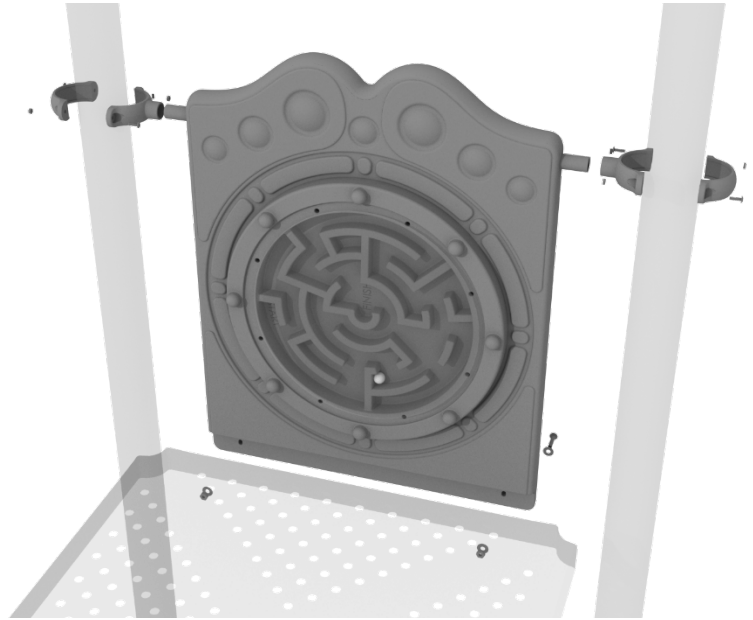
Attach the metal barrier to the designated posts using two (2) tube clamps two (2) M8*30 bolts. Then, attach the bottom of the metal barrier to the deck using two (2) M10*25 bolts, four (4) M10 washers, and two (2) M10 lock nuts.



4.5-inch Ball Maze Panel Installation

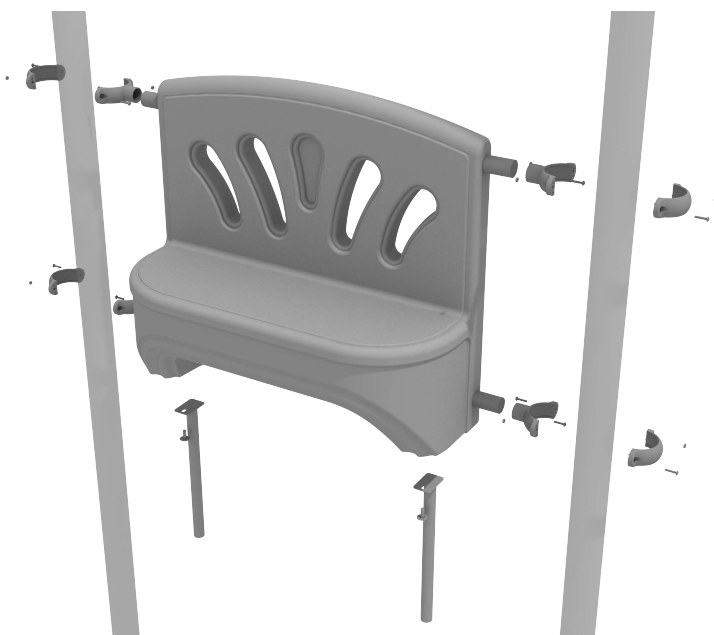
STEP: 1

Attach two tube clamps to the Ball Maze Panel using two (2) M4*25 self-tapping screws and attach those clamps to the proper support posts. Then, attach the bottom of the metal barrier to the deck using two (2) M10*50 bolts, four (4) M10 washers, and two (2) M10 lock nuts.



Install four (4) Tube Clamps to the panel following the Clamp Installation Guide.

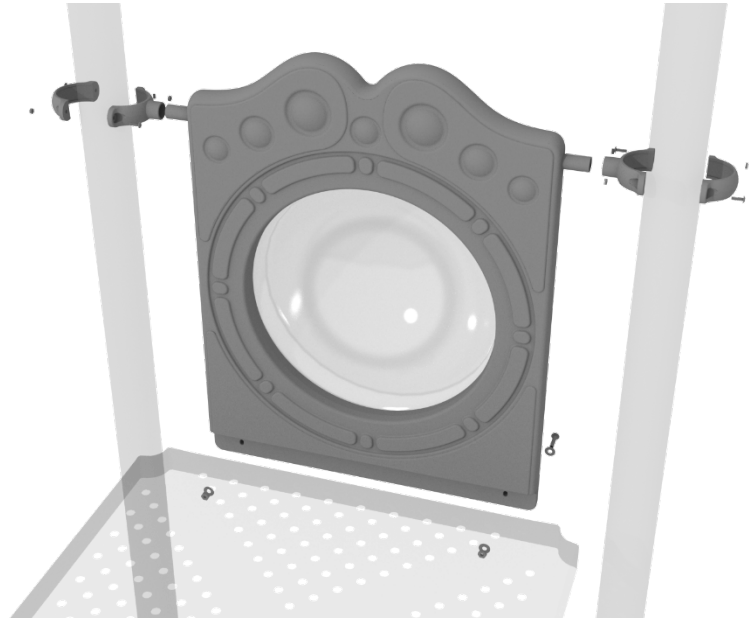
Attach two (2) Single Hole Mounts to the underside of the Bench Panel using the (x2) M10 Bolts and (x2) M10 Washers.



4.5-inch Bubble Panel Installation

STEP: 1

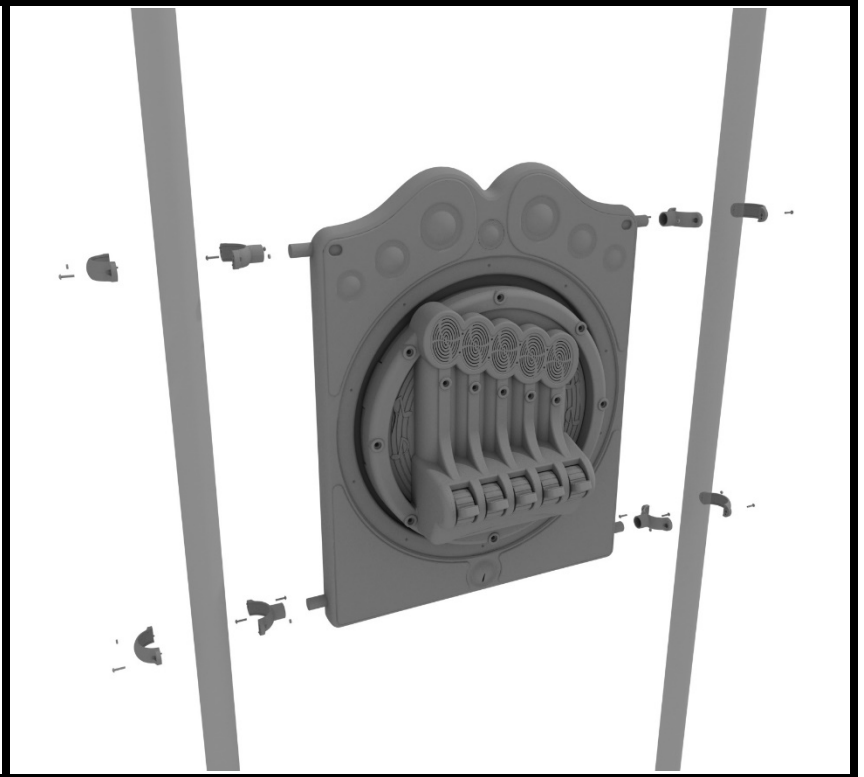
Attach two tube clamps to the Bubble Panel using two (2) M4*25 self-tapping screws and attach those clamps to the proper support posts. Then, attach the bottom of the metal barrier to the deck using two (2) M10*50 bolts, four (4) M10 washers, and two (2) M10 lock nuts.



4.5-inch Chime Panel Installation

STEP: 1

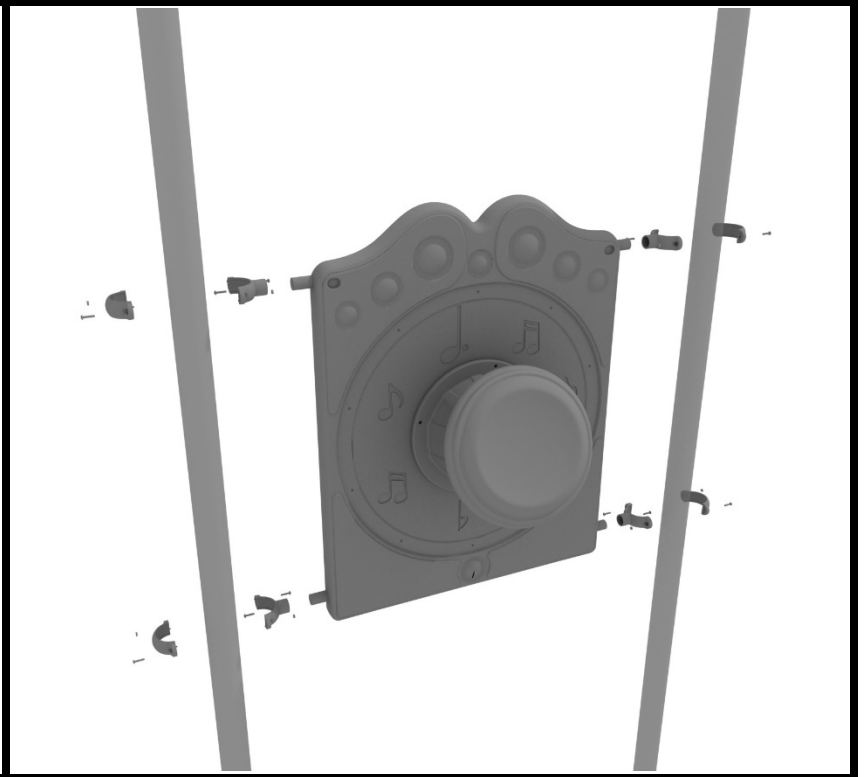
Connect the Chime panel to the designated post using four (4) tube clamps.



4.5-inch Drum Panel Installation

STEP: 1

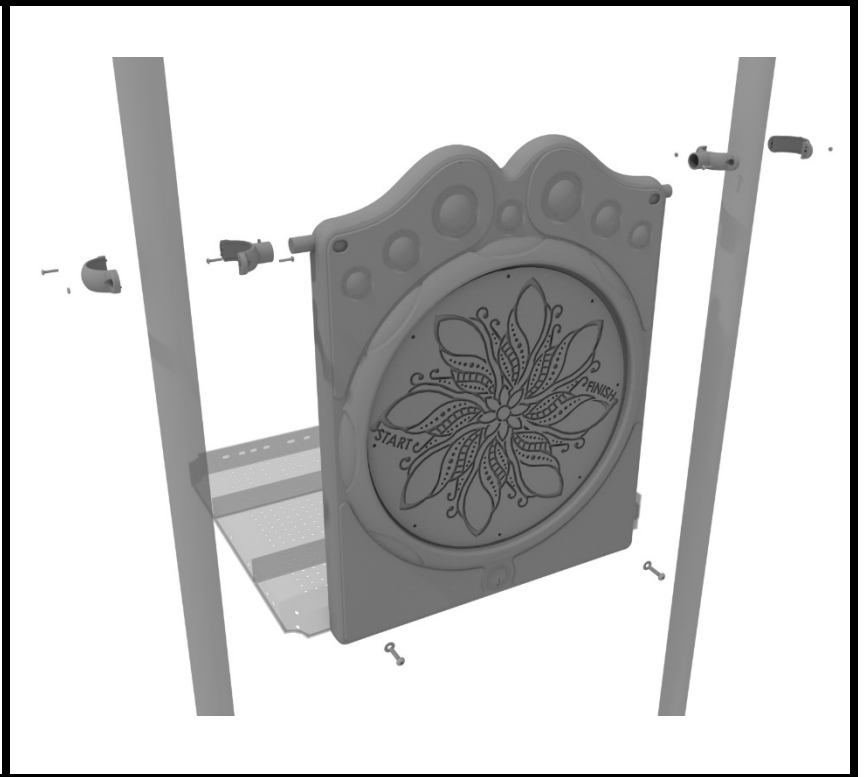
Connect the Drum panel to the designated post using four (4) tube clamps.



4.5-inch Finger Maze Panel Installation

STEP: 1

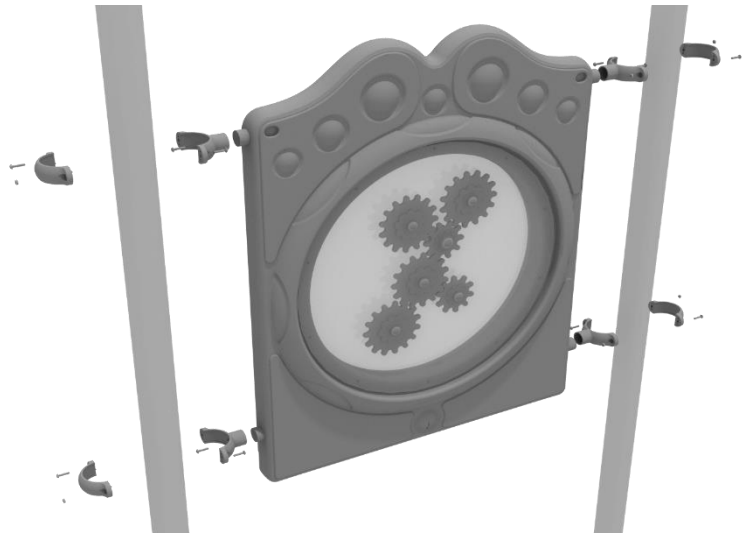
Connect the bottom of the panel to the deck using two (2) M10*50 bolts, four (4) M10 washers, and two (2) M10 lock nuts. Then attach the top of the panel to the posts using two (2) tube clamps.



4.5-inch Gear Panel Installation

STEP: 1

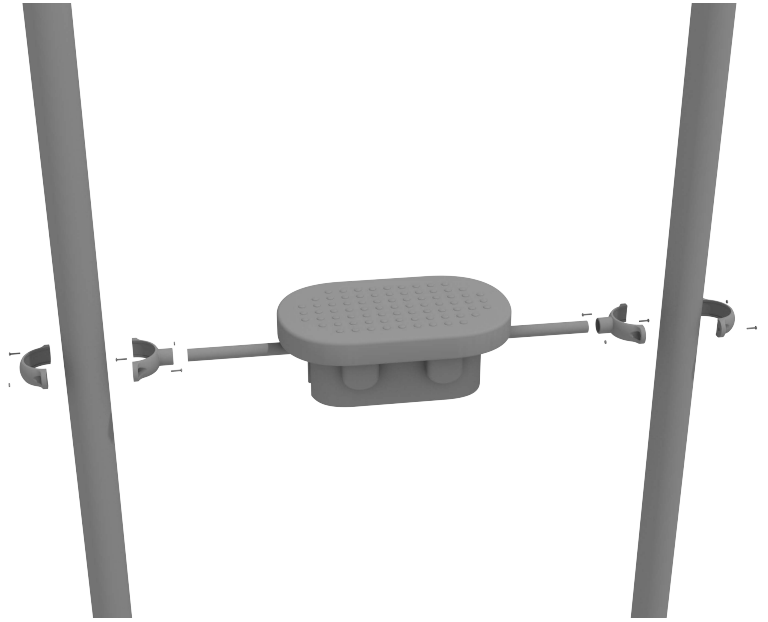
Connect the Gear panel to the designated post using four (4) 4.5-inch tube clamps.



4.5-inch Lookout Step Installation

STEP: 1

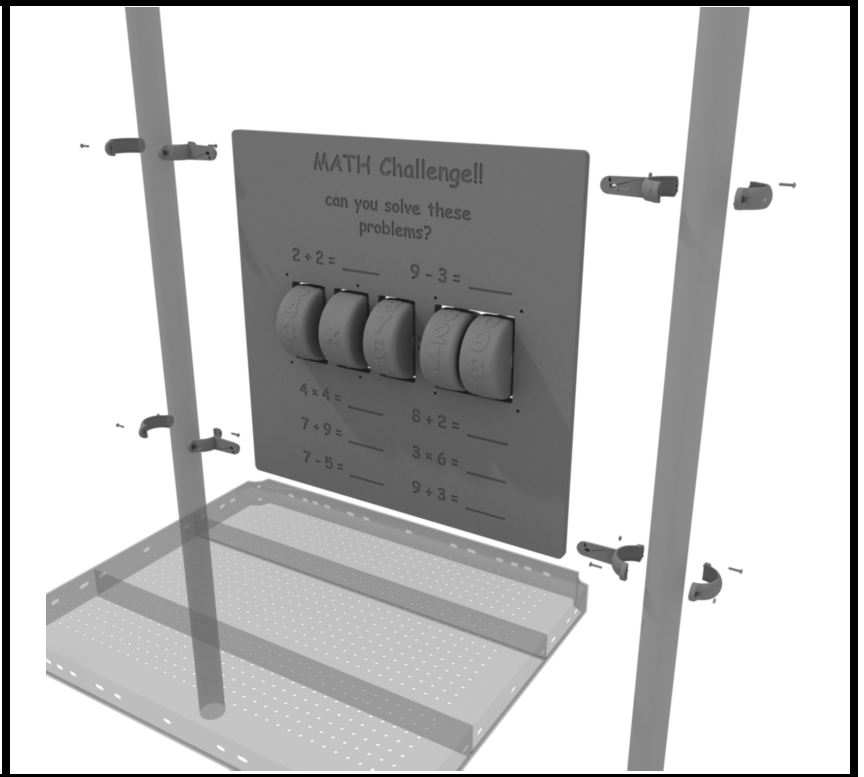
Attach two tube clamps to the Plastic Safety Barrier using two (2) M4*25 self-tapping screws and attach those clamps to the proper support posts.



4.5-inch Math Panel Installation

STEP: 1

Connect the Math Challenge Panel to the designated post using four (4) 4.5-inch flat clamps.

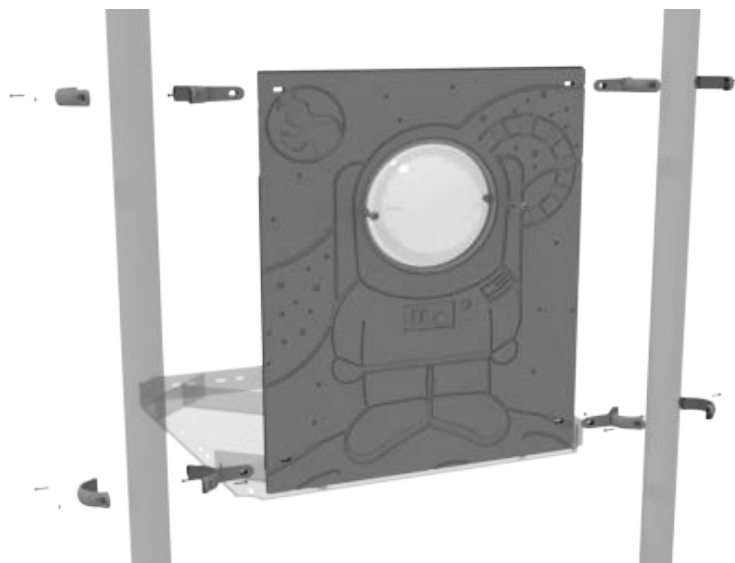


4.5-Inch Space Exploration Panel

Installation

STEP: 1

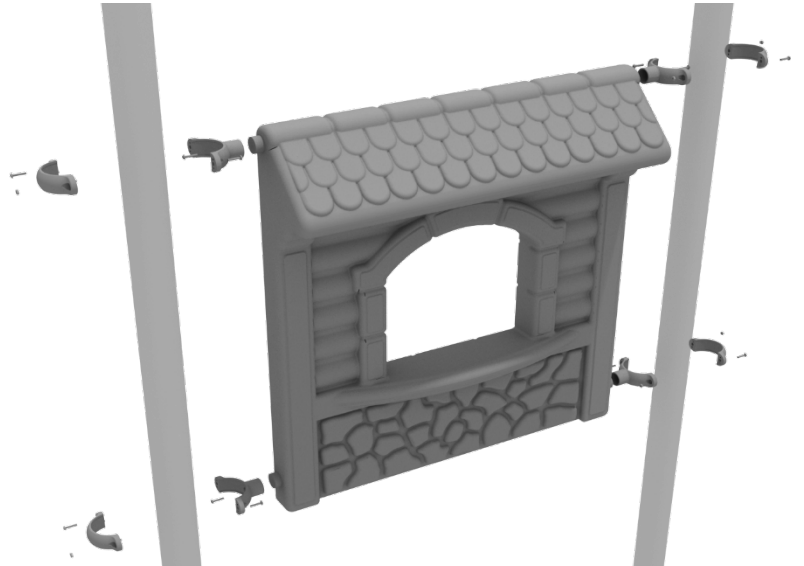
Connect the bottom of the panel to the deck using two (4) M10*50 bolts, four (8) M10 washers, and two (4) M10 lock nuts. Then attach the top of the panel to the posts using two (4) flat clamps.



4.5-inch Store Panel Installation

STEP: 1

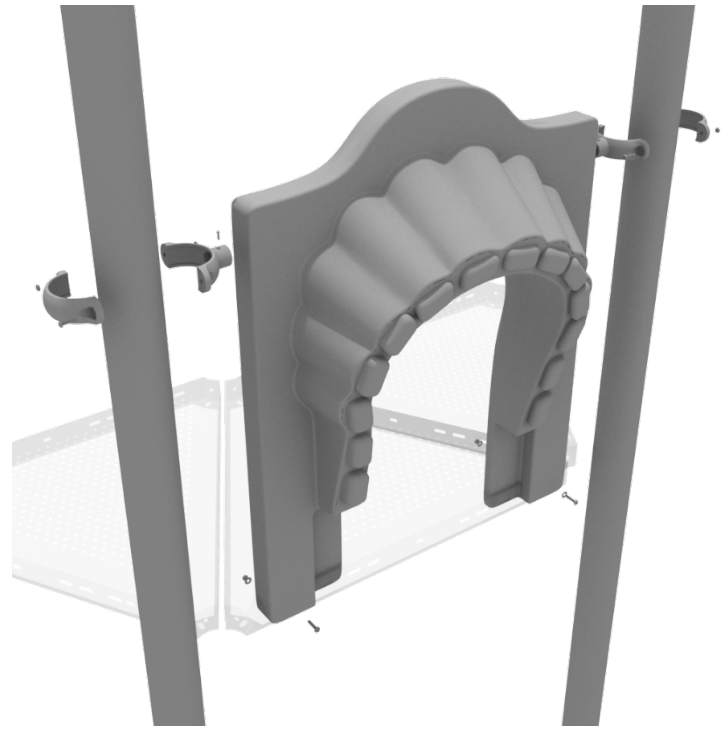
Connect the store panel to the designated post using four (4) 4.5-inch tube clamps.



3-foot Left Turn Slide Installation

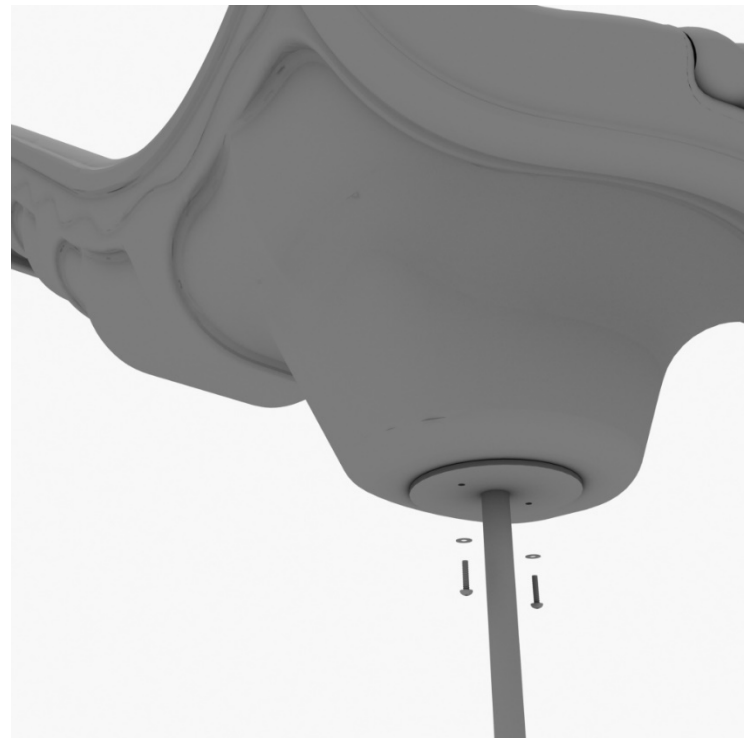
STEP: 1

To attach the single slide hood to a deck, take two clamps and attach them to the posts using two (2) M4*25 self-tapping screws. Then, attach the hood to the deck using two (2) M10*50 bolts, four (4) M10 washers, and two (2) M10 lock nuts. Repeat this process for every single slide hood.



STEP: 2

See general installation guide regarding footing information for the slide end mount. Using two (2) M8*20, two (M8) spring washers. And two (2) M8 washers, attach the slide to the slide support post.



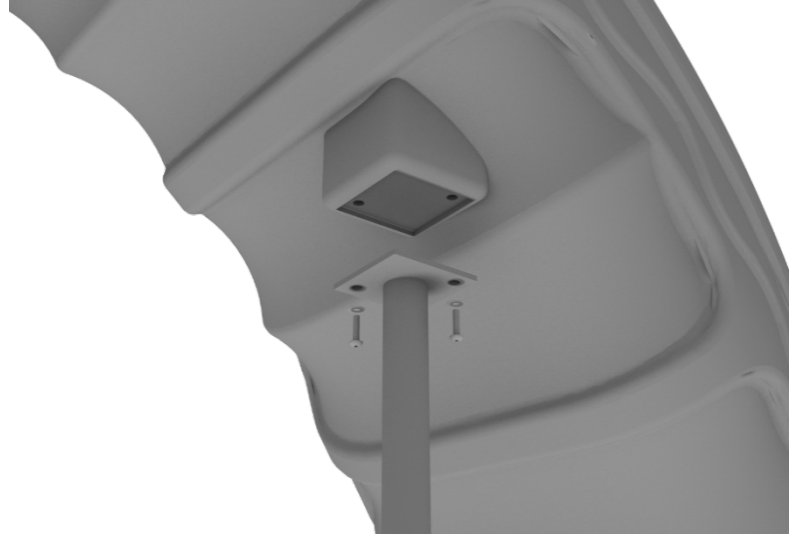
10859 Washington St. Suite
200, Indianapolis, IN
1-800-667-0097

Created By: Aaron Price
Date: 03/19/2018

3-foot Left Turn Slide Installation

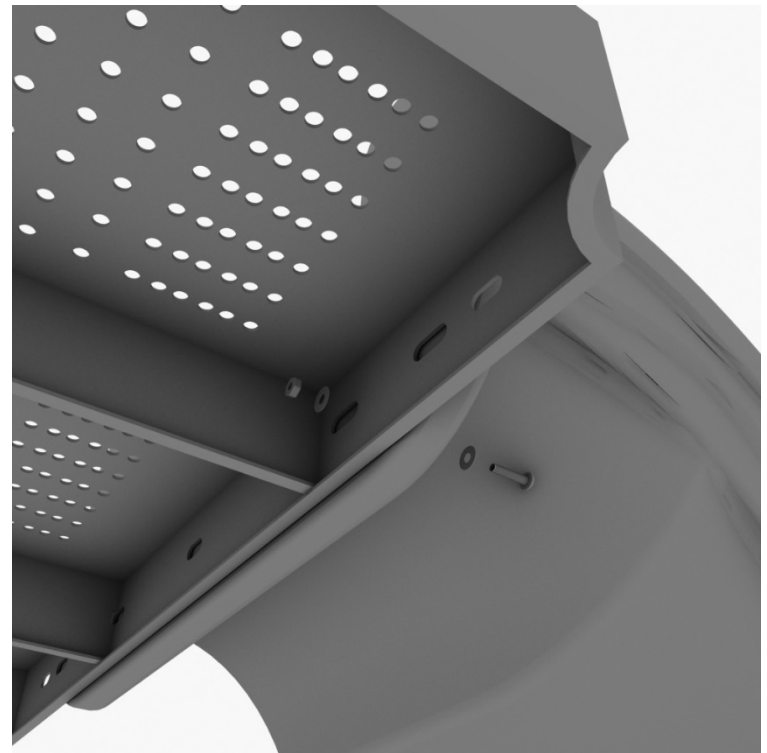
STEP: 3

See general installation guide regarding footing information for the middle slide support. Using two (2) M8*20 bolts, two (2) M8 spring washers, and two (2) M8 washers, attach the middle slide support post.



STEP: 4

Using one (1) M10*45 bolt, two (2) M10 washers, and two (2) M10 lock nuts, attach one side of the slide to the deck.



3-foot Left Turn Slide Installation

STEP: 5

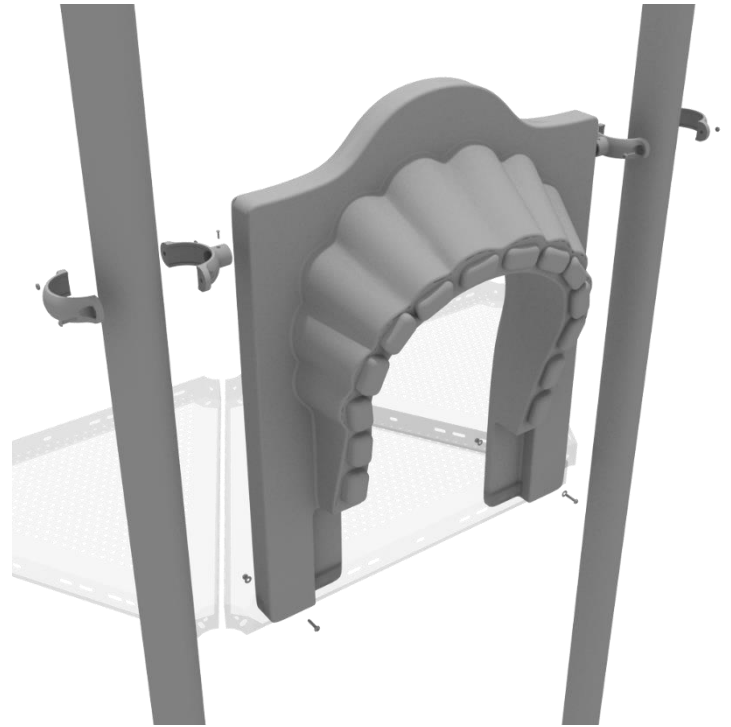
Using one (1) M8*45 bolt, one (1) M8 washer, one (1) M12 washer, and one (1) M12 inner hex spiral nut, attach the slide to one side of the slide hood. Repeat this process for the other side of the slide.



7-foot Sectional Slide Installation

STEP: 1

To attach the single slide hood to a deck, take two clamps and attach them to the posts using two (2) M4*25 self-tapping screws. Then, attach the hood to the deck using two (2) M10*50 bolts, four (4) M10 washers, and two (2) M10 lock nuts. Repeat this process for every single slide hood.



STEP: 2

Using the hardware pre-attached to the slide, connect the two sections of the slide together.



7-Foot Sectional Slide Installation

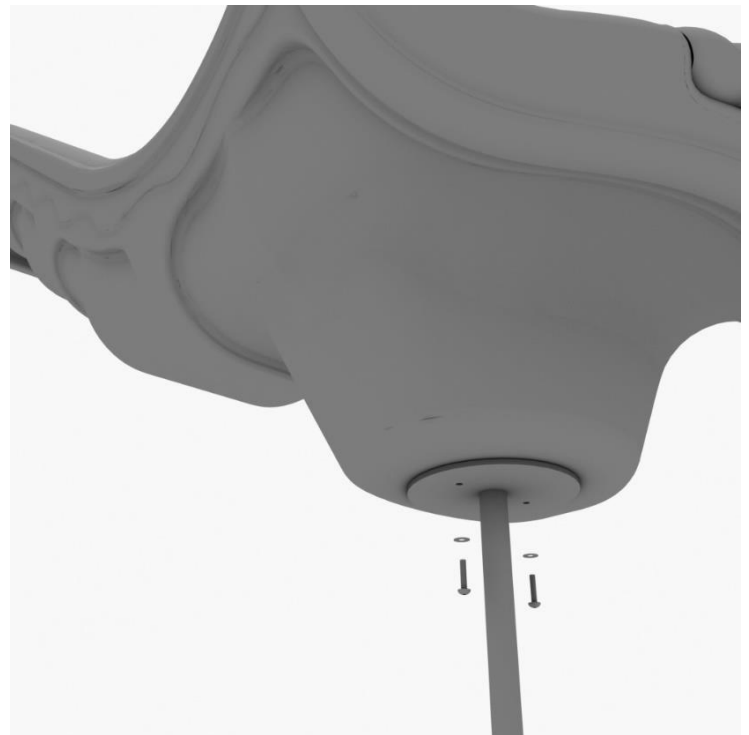
STEP: 12

See general installation guide footing information regarding installation of the middle supports, and slide end mount. Insert the middle support into the designated slot under the slide, and tighten the set screws using the provided allen wrench. Repeat this process for the other slide support post.



Step 13

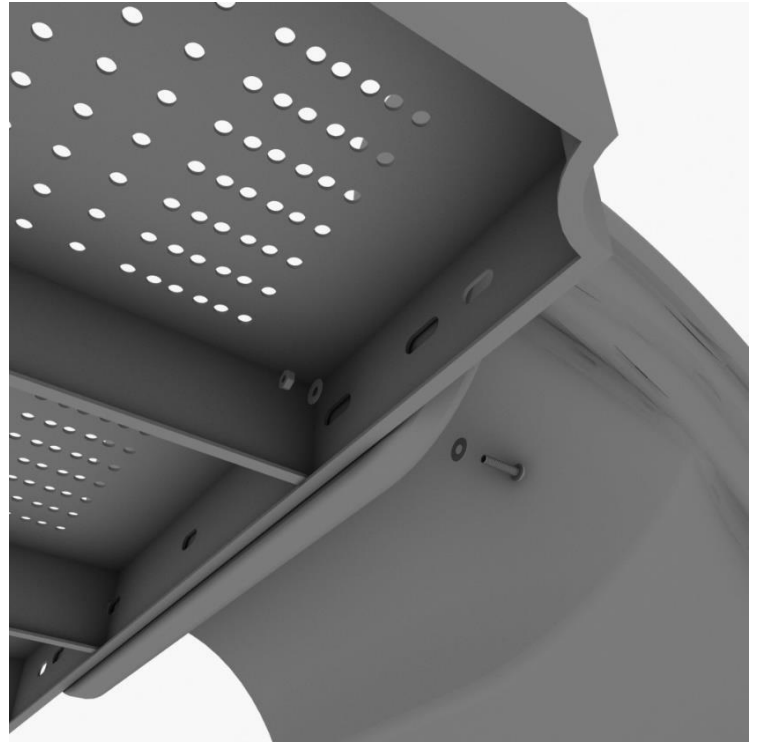
Using two (2) M8*20, two (M8) spring gaskets, and two (2) M8 washers, attach the slide to the slide end mount.



7-Foot Sectional Slide Installation

STEP: 14

Using one (1) M10*45 bolt, two (2) M10 washers, and two (2) M10 lock nuts, attach one side of the slide to the deck. Repeat the process for the other side of the slide.



Step 15

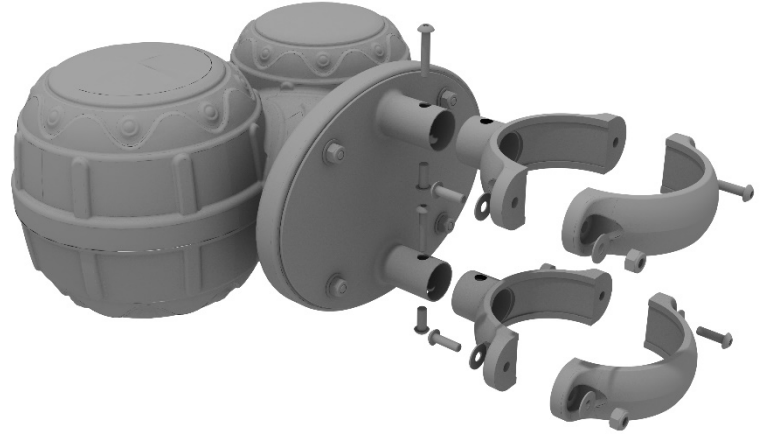
Using one (1) M8*45 bolt, one (1) M8 washer, one (1) M12 washer, and one (1) M12 Inner hex spiral nut, attach the slide to one side of the slide hood. Repeat this process for the other side of the slide. Make sure all bolts are properly tightened.



Bongos Installation

STEP: 1

Detach half of the tube clamps connected to the Bongos, and re-attach the clamp around the desired support post. Recommended install height is 20 to 36 inches above surfacing depending on age range.



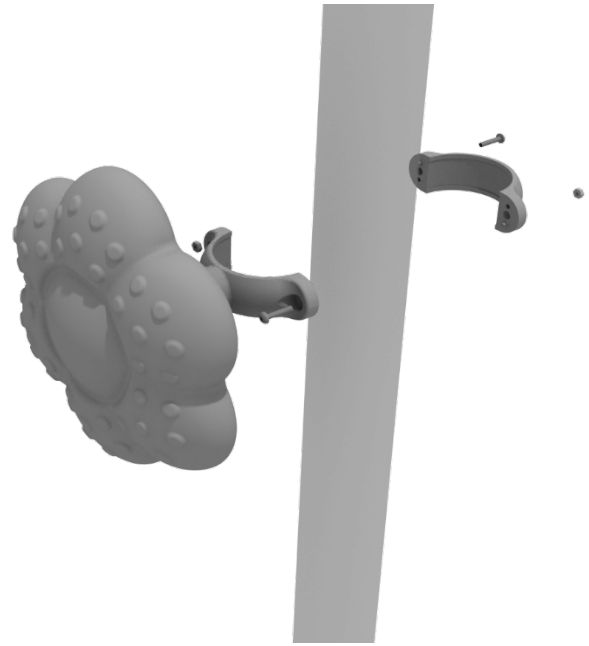
Rain Wheel Installation

Detach half of the tube clamp connected to the Rain Wheel, and re-attach the clamp around the support post, as shown in the picture.

Recommended install height is 20 to 36 inches above surfacing depending on age range.

We recommend using Thread-locking fluid on bolts connecting Rain wheel to clamp to prevent hardware from loosening over time.

(Thread-locker not supplied)



Single Drum Installation

Detach half of the tube clamps connected to the Single Drum, and re-attach the clamps around the support post, as shown in the image. Recommended install height is 20 to 36 inches above surfacing depending on age range.

We recommend using Thread-locking fluid on bolts connecting Single Drum to clamp to prevent hardware from loosening over time.

(Thread-locker not supplied)

