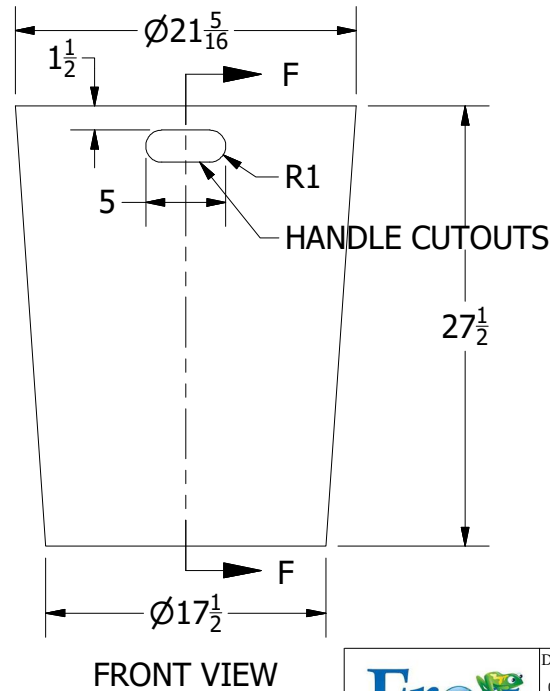
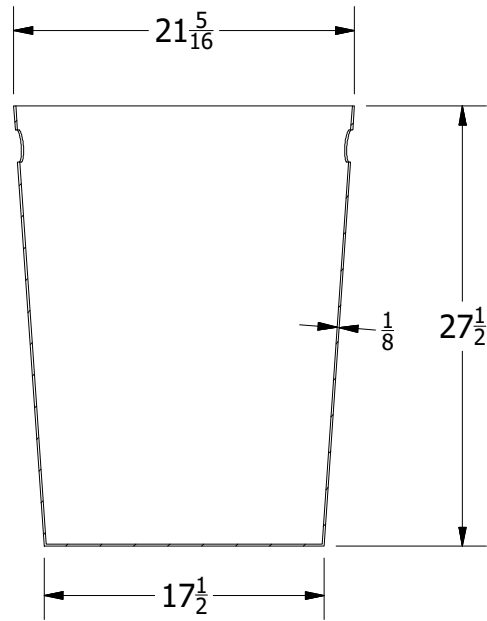
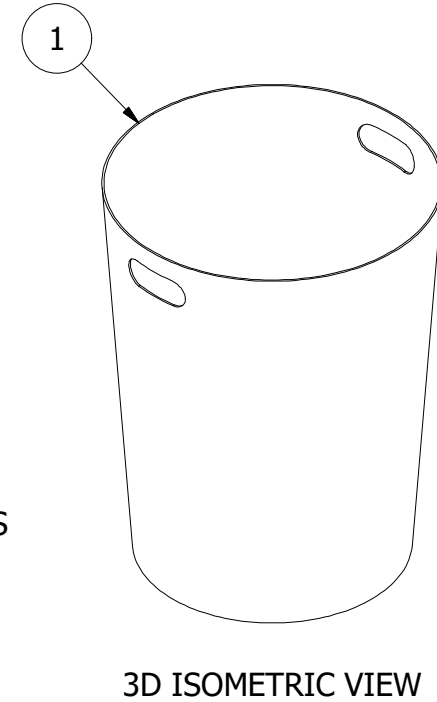
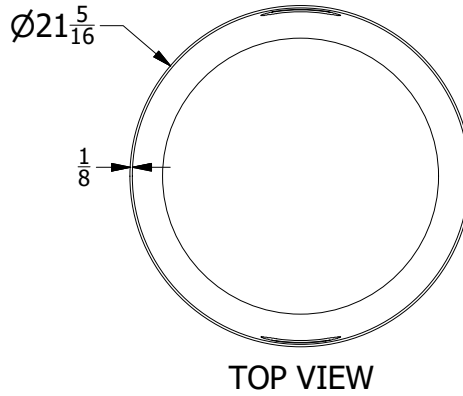


DATE	REV	COMMENT

PARTS LIST				
ITEM	QTY	PART NUMBER	DESCRIPTION	MATERIAL
1	1		32 Gal Trash Can Liner	Polyethylene, Linear Low Density (LLDPE)- .13 Wall Thickness



UNLESS OTHERWISE SPECIFIED
DIMENSIONS ARE IN INCHES
TOLERANCES:
DECIMAL FRACTION OVERALL
.XX ± .03 ± 1/16 .120 ± 3/8
.XXX ± .005 >120 ± 1



Manufactured by:
JAYHAWK
PLASTICS, INC.

Jayhawk Plastics, Inc.
15285 S. Keeler
Olathe, KS 66062
www.jayhawkplastics.com

DATE	DRW	CHK	THIS COPYRIGHTED MATERIAL IS THE SOLE PROPERTY OF JAYHAWK PLASTICS, INC. AND SHOULD NOT BE REPRODUCED WITHOUT WRITTEN AUTHORIZATION AND SHALL NOT BE USED IN ANY WAY AGAINST OR DETRIMENTAL TO JAYHAWK PLASTICS, INC. OLATHE, KS	
01/21/2019	JJP		DESCRIPTION: 32 GALLON TRASH CAN LINER	
DRAWING NO.			32 GALLON TRASH CAN LINER	SCALE NTS
PRODUCT NUMBER:		CAD FILE	SHEET	REV
		AVAILABLE	1 of 1	A