



OFFICIAL SOCCER GOAL

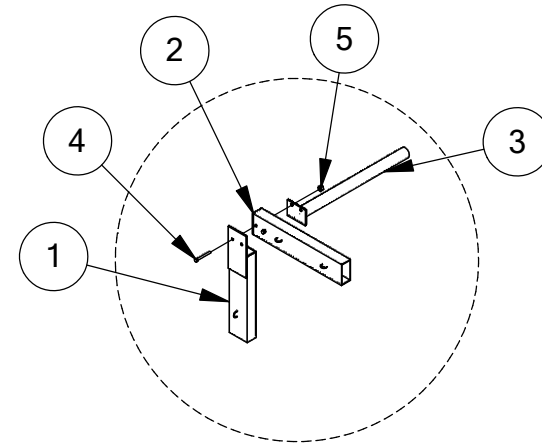
561-501

| ITEM NO. | PART NUMBER | DESCRIPTION | QTY. |
|----------|-------------|------------------------------|------|
| 1 | 563-601 | Goal Post | 4 |
| 2 | 563-219 | Cross Bar | 2 |
| 3 | 563-602 | Net Support | 4 |
| 4 | 116-513 | 5/16" x 3-1/4" Hex Head Bolt | 8 |
| 5 | 226-501 | 5/16" Hex Nut | 8 |
| 6 | 337-303 | Black Cord x 100' | 2 |
| 7 | 337-303 | Black Cord x 25' | 4 |

IMPORTANT

Please retain this instruction sheet in your files. It contains important replacement parts information. All equipment should be installed in accordance with these instructions.

It is important to use and maintain all public playground equipment properly. Playground equipment, which is improperly maintained, can cause serious injury. Periodical inspections, maintenance, repair and/or replacement of damaged parts is necessary for safe operation of equipment and safety of users. Resilient surfacing should be used under all playground equipment. Appropriate publications, available at no charge, from the Consumer Product Safety Commission, include "A Handbook for Public Playground Safety". You can receive your free copy by calling 1-301-504-7908.



DETAIL A

