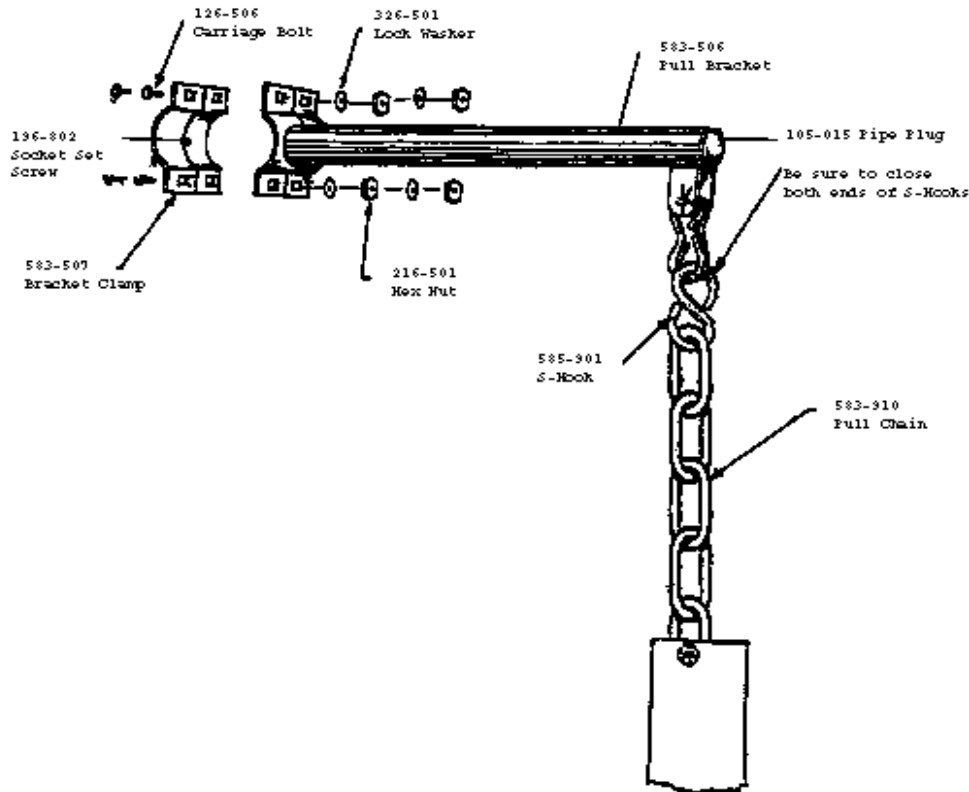


## 582-965 2 3/8" OD Top Rail Pull Chain Attachment

PLEASE READ THESE INSTRUCTIONS BEFORE COMMENCING ASSEMBLY. Please retain this instruction sheet in your files. It contains important replacement parts information. All equipment must be installed in accordance with these instructions. It is important to use and maintain all public playground equipment properly. Playground equipment, which is improperly maintained, can cause serious injury. Periodical inspections, maintenance, repair and/or replacement of damaged parts is necessary for safe operation of equipment. Appropriate publications, available at no charge, from the consumer product safety commission, include "A Handbook for Public Playground safety". You can receive your free copy by calling 1-301-504-0708.



Attach clamps to Top Rail of Swing Frame so that Pull chain hangs in front of wheelchair position users will normally face. Bottom of pull chain has a swivel snap for attaching the end to a chain of the wheelchair swing platform to hold it out of the way for entering and exiting the platform.

**PACKING LIST**

**HARDWARE BAG**

1 CTN	1	Hardware Bag	1	583-506	2 3/8" Pull Bracket
	1	Instruction Sheet	1	583-507	2 3/8" Bracket Clamp
			1	583-910	8' Pull Chain
			1	585-901	3/8" S-Hook
			4	126-506	5/16" x 1 1/2" Carriage Bolt
			4	326-501	5/16" Lock Washer
			4	216-501	5/16" Hex Nuts
			1	105-015	1 5/8" Pipe Plug
			1	196-802	1/2" x 1/2" Socket Set Screw
			1	416-400	1/4" Socket Key

1 CTN	1 TOTAL PIECES	25#
-------	----------------	-----