



10' Standard Bench without Back

For Part Numbers: 601-695S,
601-695I, 601-695P

Component Details

Item No.	Part Number	Description	QTY
1	613-514BP	Bench Plank	2
2	*Frame Index	Bench Leg	3
3	126-704	3/8 x 1 1/4" Button Head Bolt	6
4	316-601	3/8 Washer	8
5	416-505	7/32 Allen	1
6	226-602	3/8" Nylon Locknut	2

Additional Components for Portable Frame

7*	613-614	Portable Brace*	2
8*	126-701	3/8 x 1 1/4" Button Head Bolt	1
9*	316-601	3/8" Washer	6
10*	126-602	3/8" Nylon Lock Nut	3
12*	126-704	3/8 x 3" Button head bolt	2

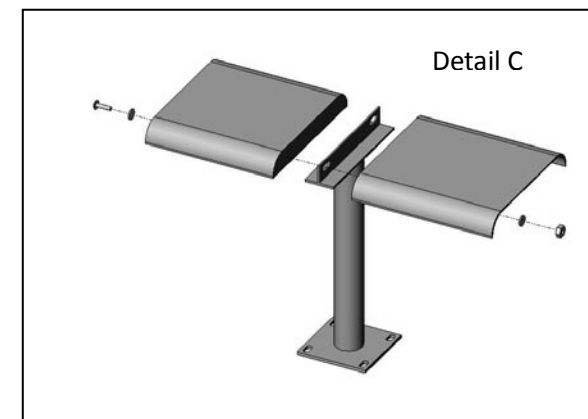
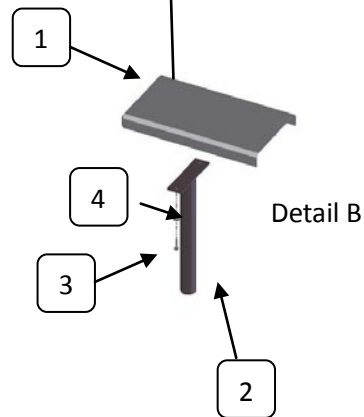
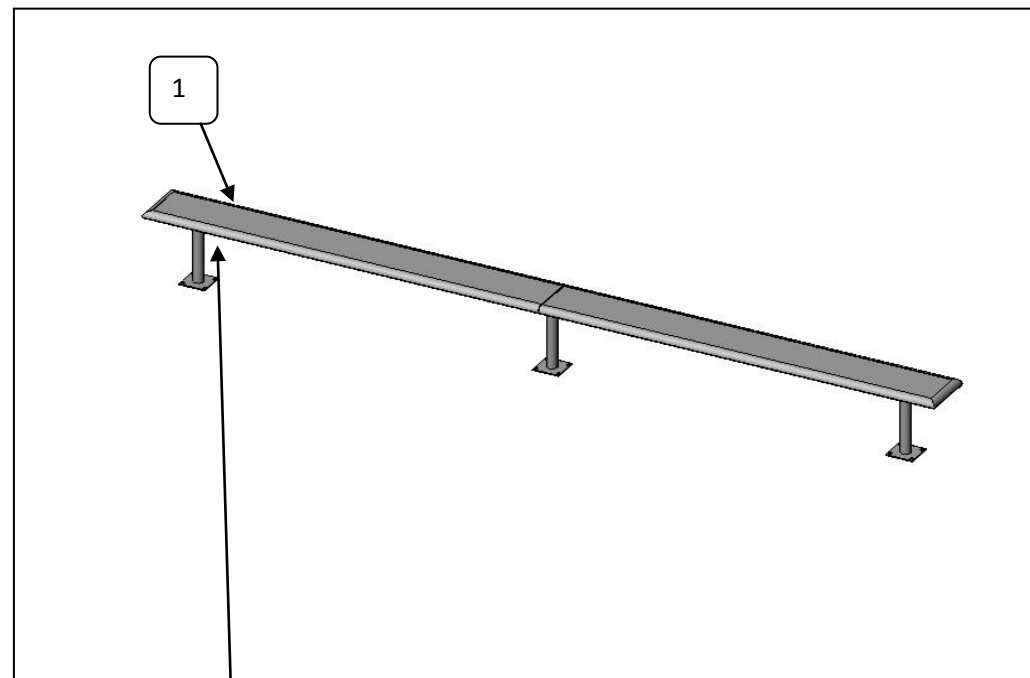
Additional Components for Surface Mount

11**	531-062	3/8 Concrete Anchor	8
------	---------	---------------------	---

*Only required on units that have a portable frame.

**Only Required on Surface on units that have a surface mount frame

Note: Refer to the frame index and style index for part identification and component specific instructions.





10' Standard Bench without Back

For Part Numbers: 601-695S,
601-695I, and 601-695P

Important

- Please keep a copy of these instructions in your files. There is important replacement part information in them that will assist you in the event a part is ever needed.

Assembly Information

- Read all assembly instruction before starting assembly.
- Verify that all parts were received by comparing the parts received to the component list on page one.
- If your product mounts to something (surface mount, in ground or wall mount) you will assemble the entire product before drilling holes or mounting frame in order to ensure proper layout.
- CONTACT YOUR DISTRIBUTOR ABOUT ANY PARTS YOU ARE MISSING. You must report missing parts within 10 days of delivery.
- Hand-tighten all bolts during the initial assembly (unless specifically told to tighten completely in the instructions). Once the unit is fully assembled and square you should completely tighten them.
- Other than when a specific step in the assembly instructions specifies "to not apply LoCTite, we recommend applying a small amount to all assembly bolts.

General Maintenance

- It is recommended that you inspect the product monthly for loose bolts and broken parts. If replacement parts are needed please refer to these instructions for part numbers and descriptions then call your distributor to order replacements.

Assembly Instructions

NOTE: Only assembly your bench at this time. After it is assembled you may refer to the frame index so you can identify your frame type and then locate the specific mounting instructions for that frame.

1. Attach one end of the Bench Planks (1) to one of the Bench Legs (2) by inserting two 3/8" x 1 1/4" Button Head Bolts (3) and 3/8" Washers (4) through the bottom of the leg and into the factory installed nuts on the mounting plate attached to the bottom of the bench plank (Detail B)
2. Next place the center leg between the two bench planks and insert the (2) 3/8" x 1 1/4" Button Head Bolts with (4) 3/8" Washers through one bench plank, center leg tab, and second bench plate. Install washers and (2) 3/8" locknuts on back side and tighten (Detail C)
3. Now identify your frame type from and follow the specific instructions for your frame. Again, use the frame index page to complete this step.