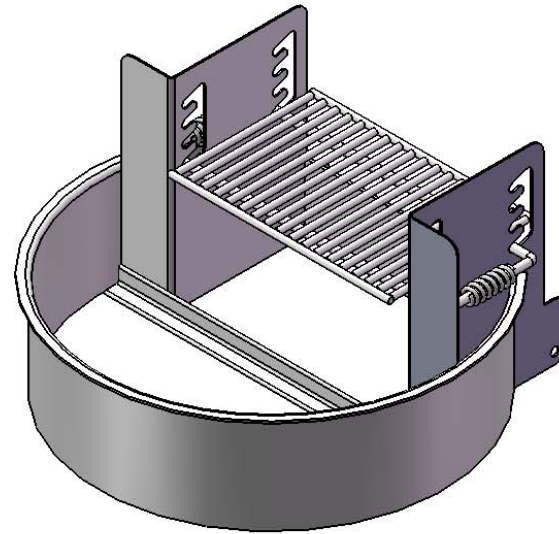




A PLAYCORE Company



Model # 612-9



A PLAYCORE Company

## **SAFETY WARNINGS & EQUIPMENT INSPECTION**

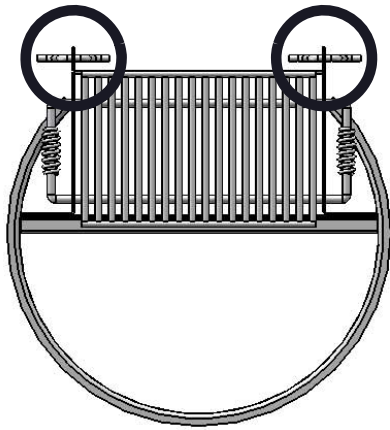
- Owners and installers please note these safety warnings and make use of this checklist on a regular basis.
- Follow installation instructions when erecting equipment.
- Ground surfaces around equipment should be restored as needed. Concrete footings should never be exposed. Surface depth should comply with ASTM and CPSC specifications.
- Check for and repair damage caused by wear or vandalism, a major factor in injury causing situations.
- All protruding bolts should be covered or cut off and finished smooth. Sharp edges on pipes should be capped or removed. Check for bent, broken, or severely worn pipe, and replace.
- All equipment should be free of rust and repainted whenever necessary to deter rusting.
- We provide our customers with layout sheets and installation instructions. Please keep on file the specifications sheet that contains the listing of every part used.
- Never add components not intended for use with this product.
- Regular maintenance is necessary in this and all park and recreational equipment to insure the safety of the user.
- Note: Proper maintenance of equipment requires regular tightening of all bolts, nuts, and setscrews.
- Note: Regular checking of all parts, castings, etc. should be made. If a part is broken or worn, it should be replaced immediately.
- Check to be sure all fittings are tight and that bars and pipes do not move.
- Replace all worn S-hooks. S-hooks must be completely closed. Failure to close S-hooks can result in serious injury to the user. NEVER reuse S-hooks.
- Test for free movement of swing hanger and other moving attached parts.
- Check for worn chains and replace them.
- A soft resilient surface should be placed under all swings extending at least twice the height of the top rail both front and back.

# ULTRA SITE PRODUCT SPECIFICATIONS

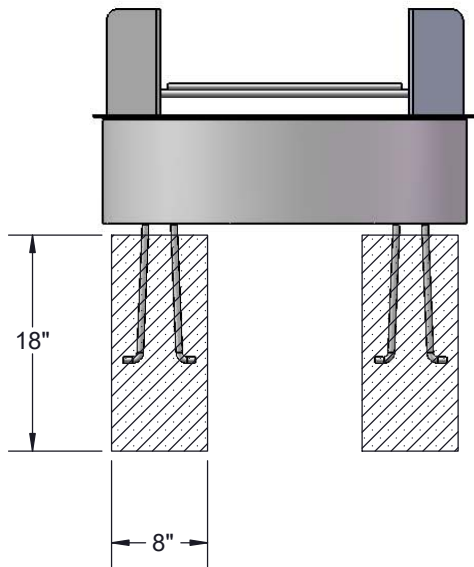
## 612 Fire Ring

Grill shall be fabricated from 7 gauge steel plate forming a 30" diameter. Ring shall be constructed of 9" high with a 1" formed lip, joined in rear by an electrically welded seam. The inner ring shall be formed from an 11 gauge steel sheet. Grill shall be secured permanently in ground by means of two 1/2" steel "u" staple anchor pins. Total cooking area shall be 280 sq. Cooking inches. For safety, non-conductive cool-coil handles shall be welded to the 5/8" dia. Grate handles thus providing a safe & easy transition of grate on and off of fire. Grill assembly shall have a finish of electrostatically applied high heat powder coat black paint.

# OVERALL DIMENSIONS



Estimated Required Concrete:  
3 - 50lb Bags of Concrete Mix

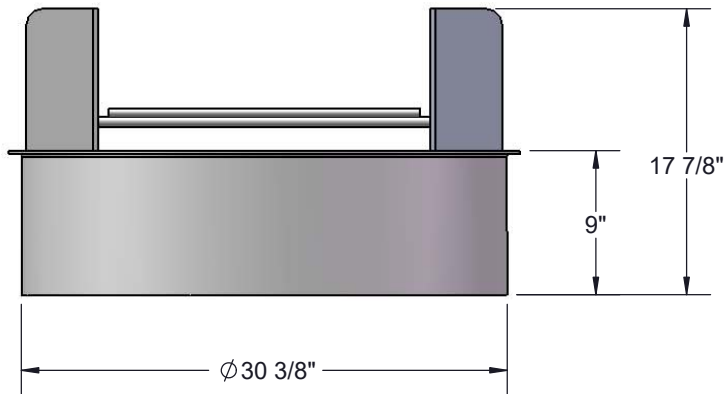
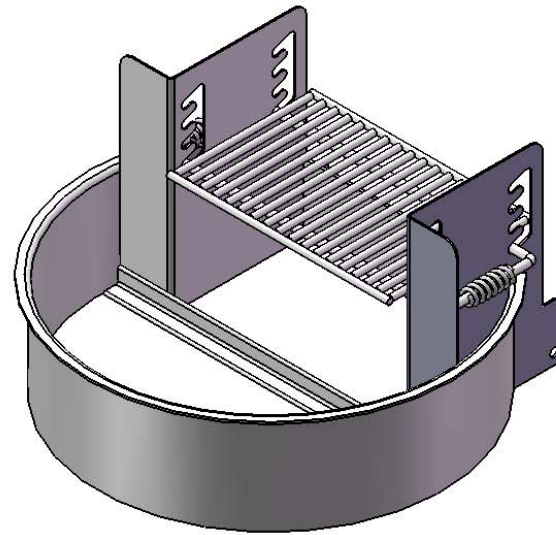
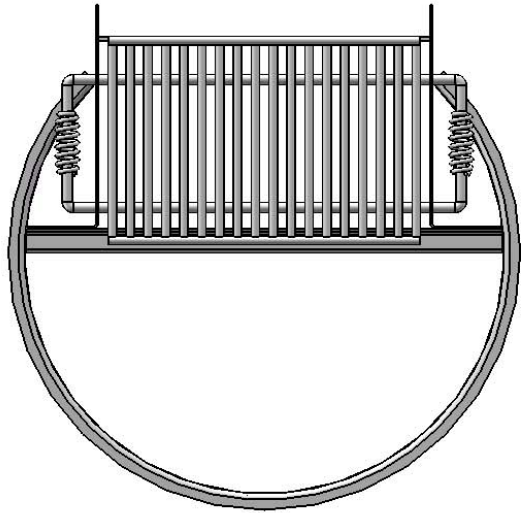


Attach the ground staples to the Fire Ring  
before inserting them into the concrete footings.

Ground Staples are included.

Be sure to leave enough space between the footings and the  
fire ring so that it can be flipped up for cleaning purposes.

# OVERALL DIMENSIONS



**WARNING:** Combustion byproducts produced when using this product include carbon monoxide, a chemical known to the State of California to cause birth defects or other reproductive harm.