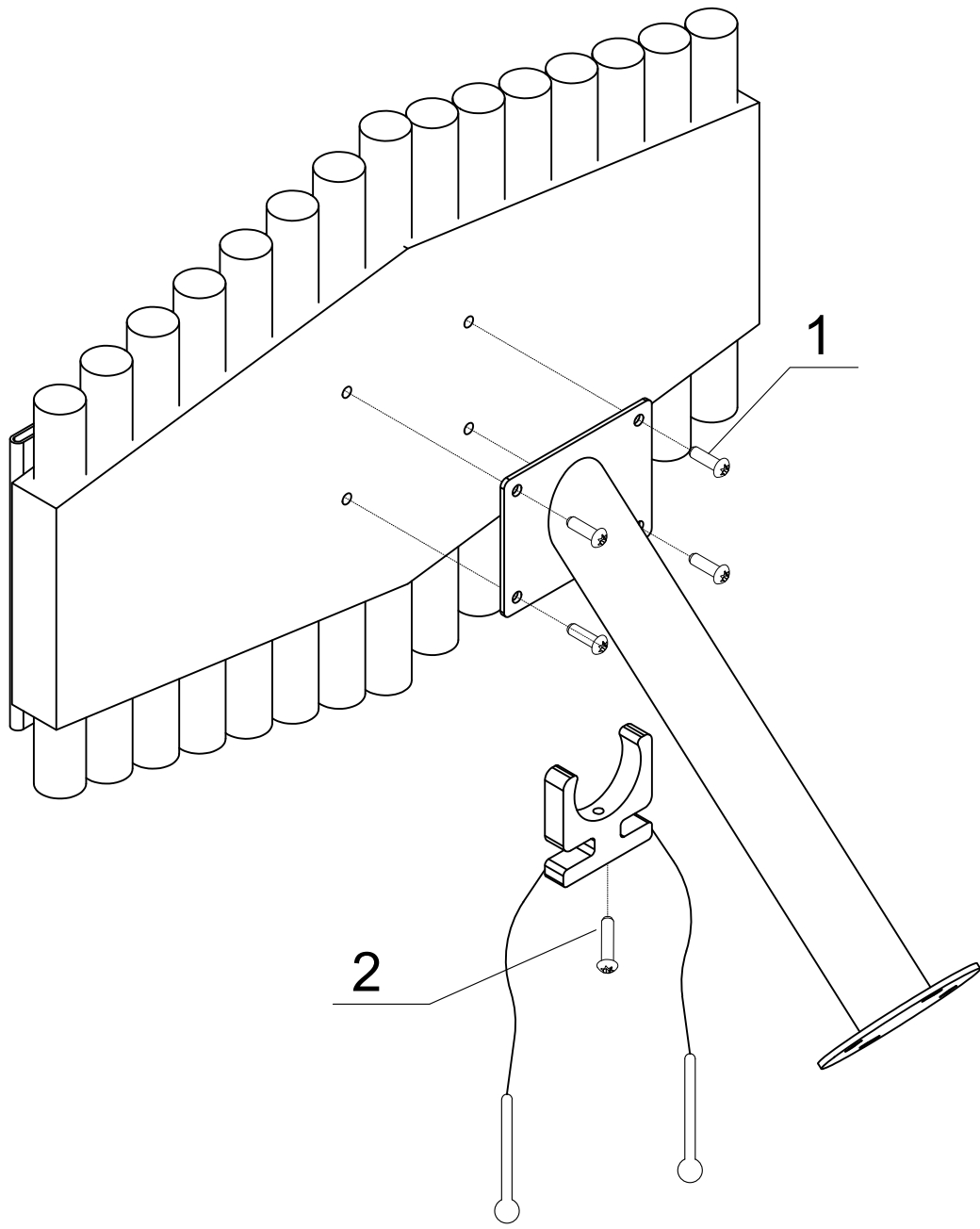


72-22002 Split Rainbow Xylophone

Number	Name	Model	Quantity
1	Hexagon socket screw	M8*20	4
2	Hexagon socket screw	M6*50	1



Installation steps:

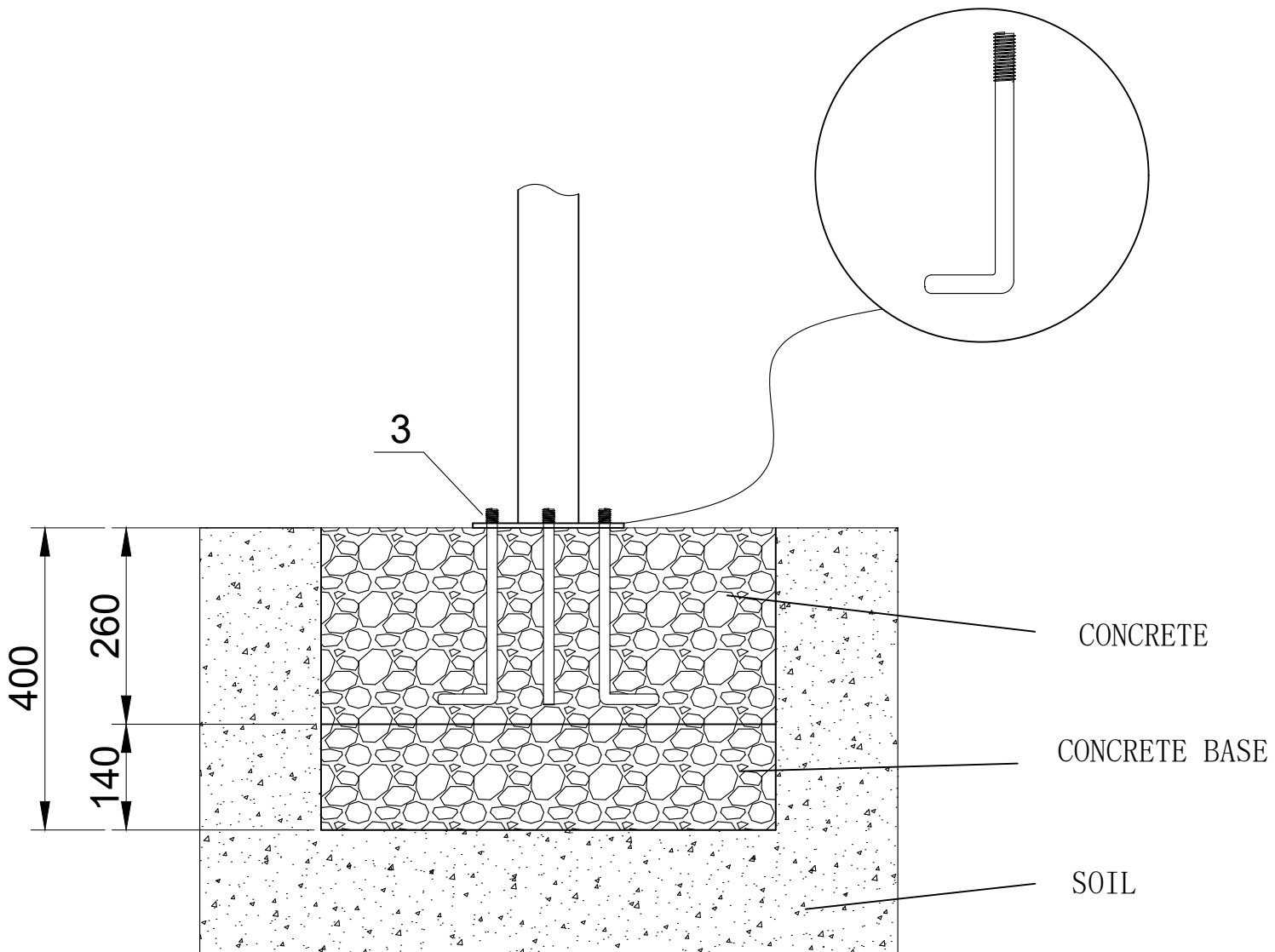
1: Locate the footing position, dig a hole in size 500*500*400mm.

2: Make concrete base with 140mm height, and put in-ground kit.

3: Pour concrete again with 660mm height.

4: Cover by soil with 100mm height.

72-22002 Split Rainbow Xylophone			
Number	Name	Model	Quantity
3	In-ground Mount Bracket		4

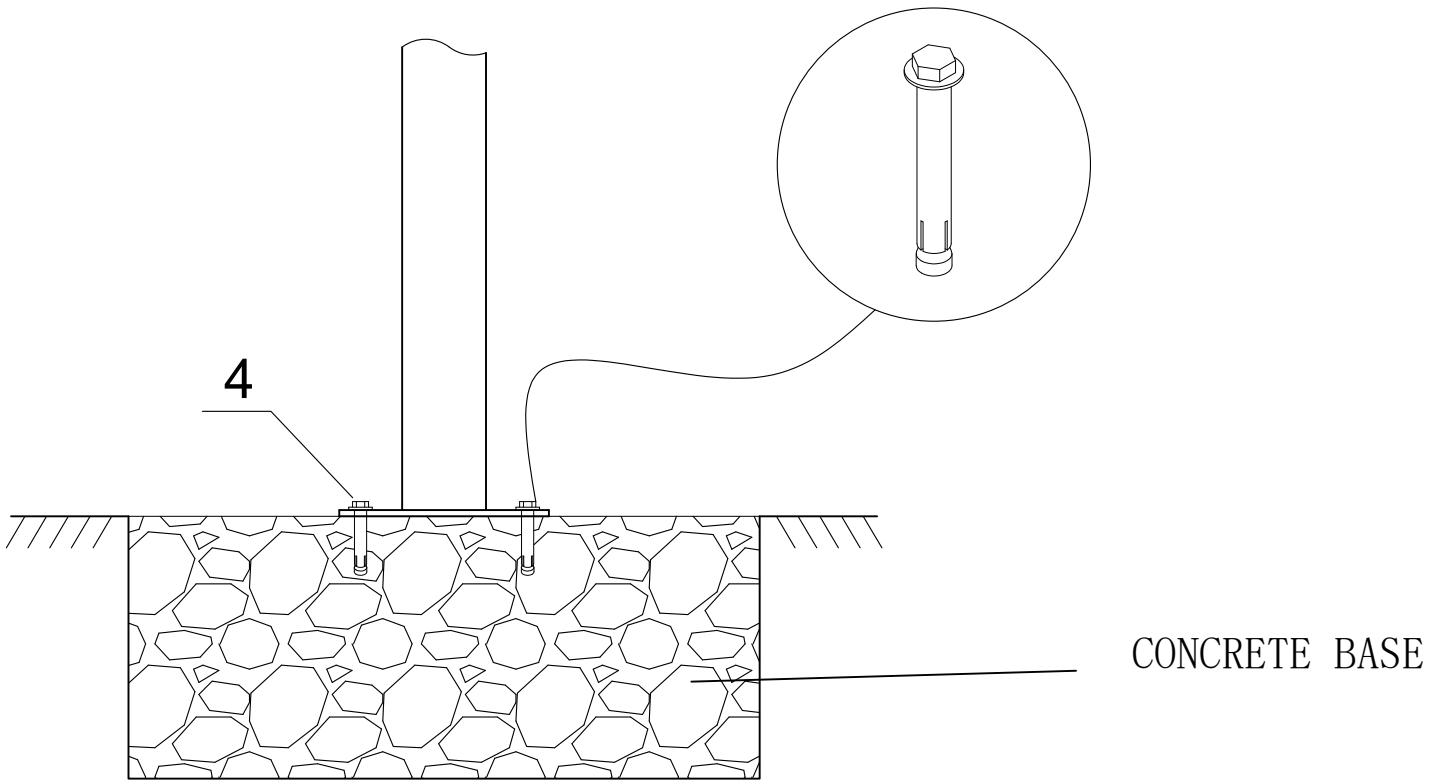


72-22002 Split Rainbow Xylophone

Installation steps:

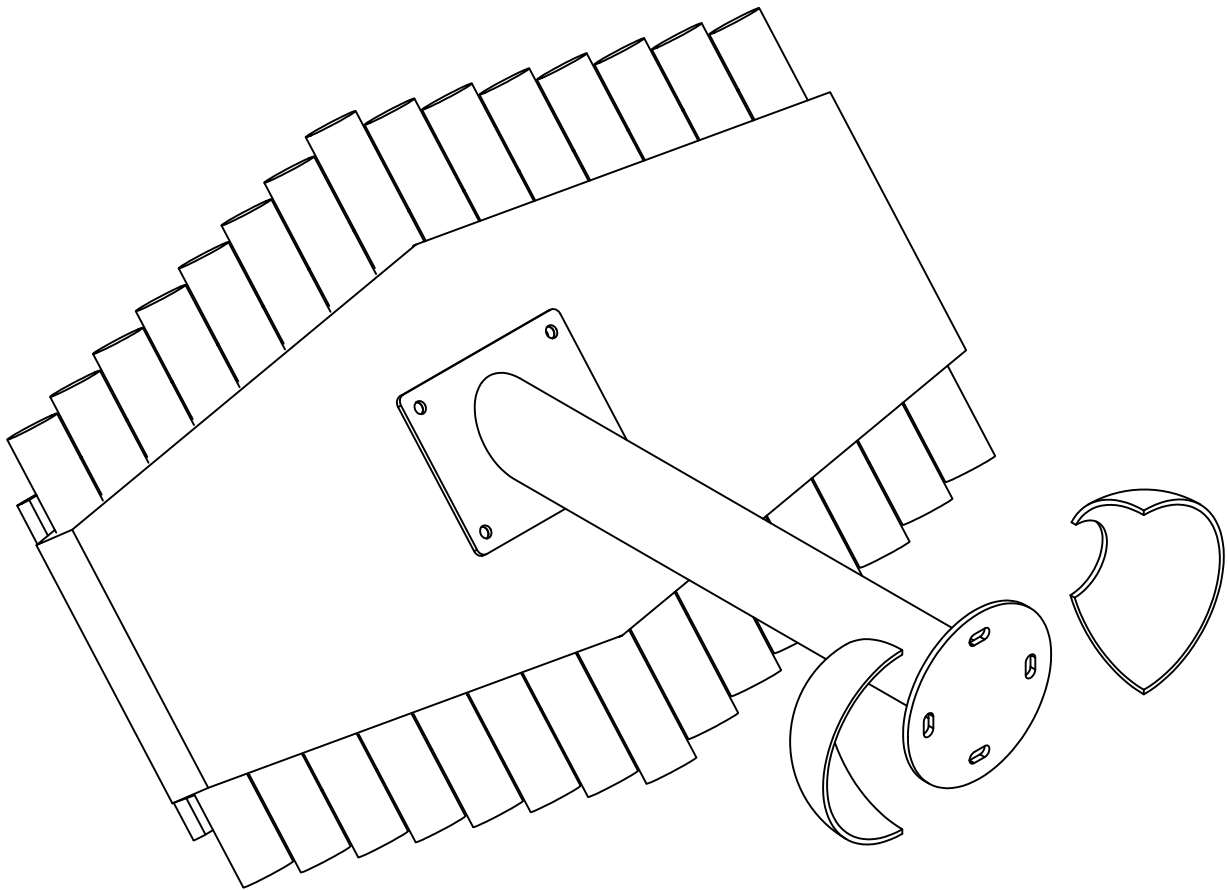
Number	Name	Model	Quantity
4	M8*100 Expansion Bolt	M8*100	4

1: Expansion bolt for concrete floor.



Number	Name	Model	Quantity

Remove the black base cover by loosening the screws as shown in below figure.



72-22002 Split Rainbow Xylophone

Number	Name	Model	Quantity

**Fix the black base cover
by fastening the screws
as shown in below
figure.**

