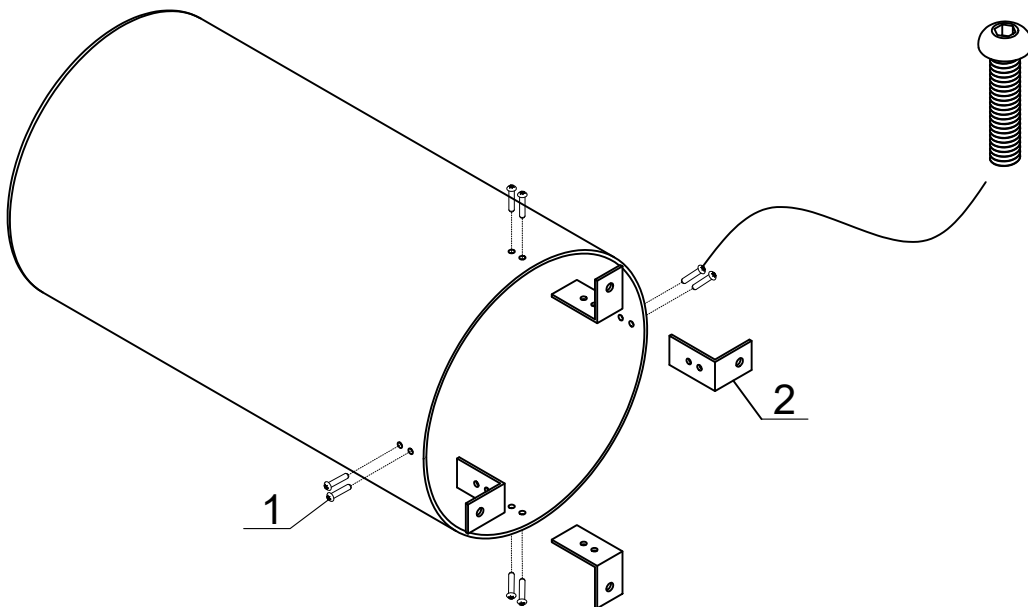


72-22004SM Bongo Drums

Number	Name	Model	Quantity
1	Hexagon socket screw	M6*20	40
2	L-Shape Surface Mount Bracket		16

Attach 4 brackets to the inside bottom of the drum.

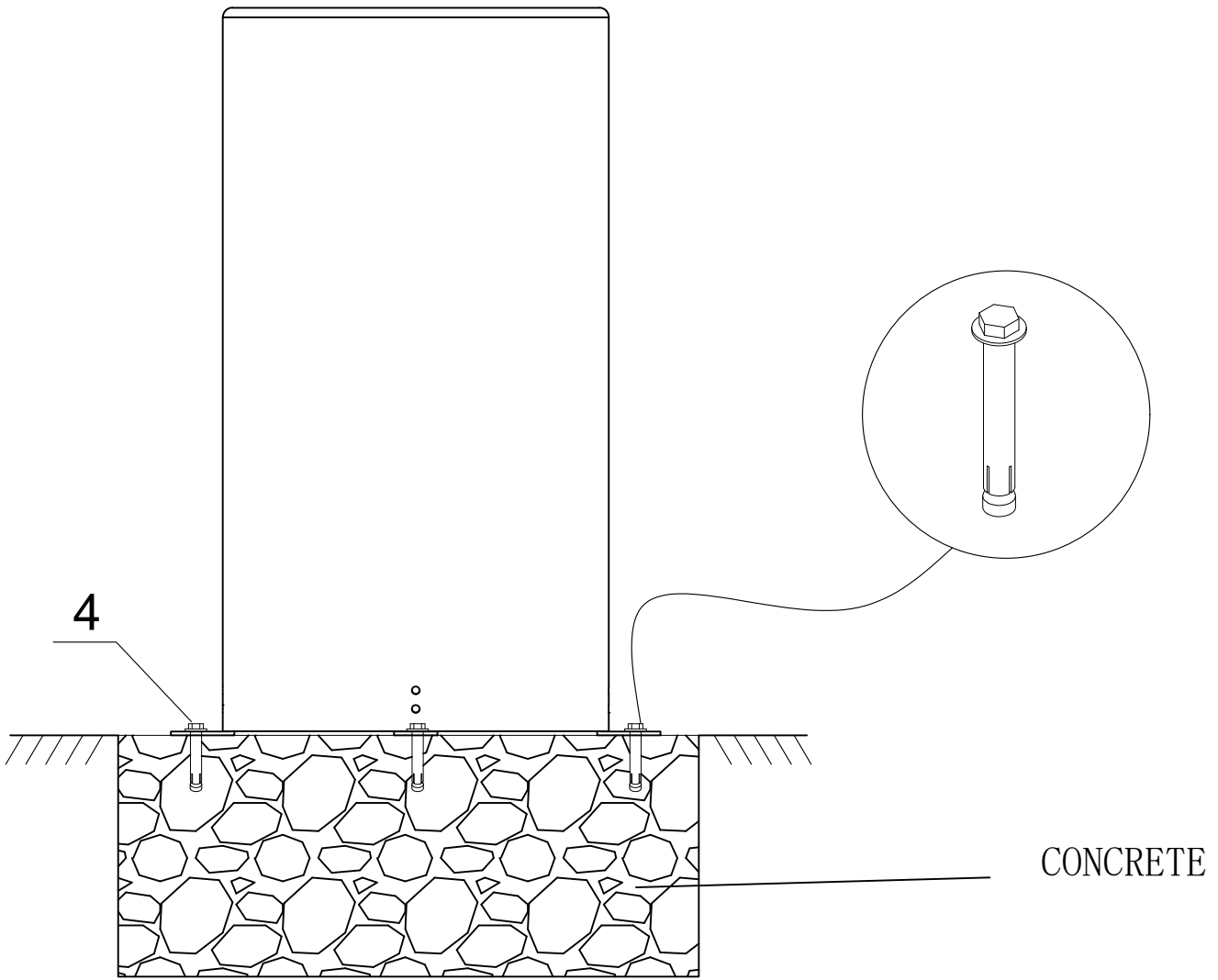


Installation steps:

1: Expansion bolt for concrete floor.

72-22004SM Bongo Drums

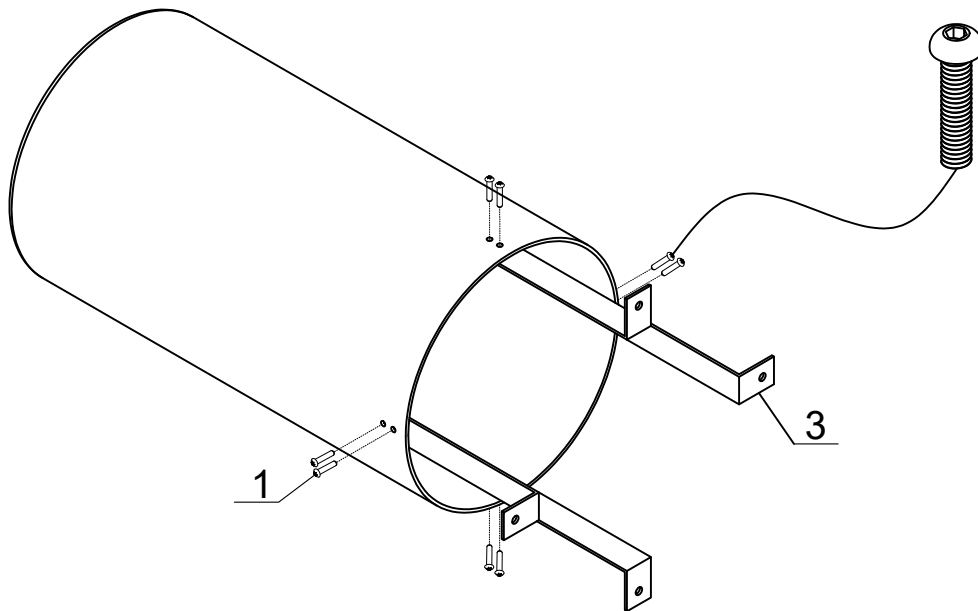
Number	Name	Model	Quantity
4	M8*100 Expansion Bolt	M8*100	20



72-22004SM Bongo Drums

Number	Name	Model	Quantity
1	Hexagon socket screw	M6*20	40
3	L-Shape Inground Mount Bracket		20

Attach 4 brackets to the inside bottom of the drum.



Installation steps:

1: Locate the footing position, dig a hole in size 600x600x900mm.

2: Make concrete base with 140mm height, and put in-ground kit.

3: Pour concrete again with 660mm height.

4: Cover by soil with 100mm height.

5: Adjust the hole size based on the drum size on site.

72-22004SM Bongo Drums

Number	Name	Model	Quantity
3	L-Shape Inground Mount Bracket		20

