

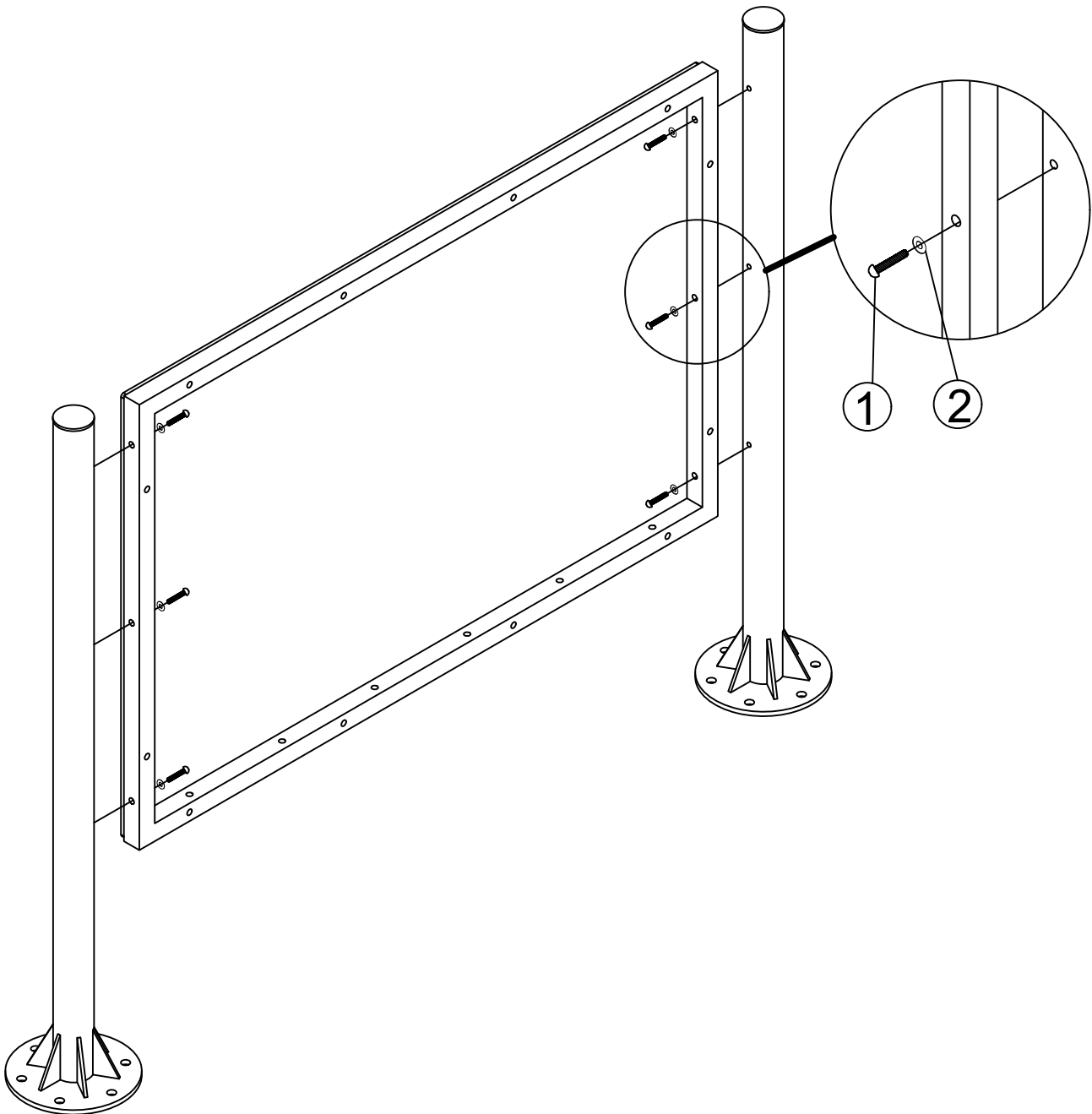
## 78-21002 Self-standing Easel - Whiteboard

### Installation Steps:

Number	Name	Model	Quantity
1	TAMPER RESISTANT TORX-BOLT	M8*55	6 per Deck
2	FLAT WASHER	8.5/23.5*T1.5mm	6 per Deck

1. Align the Stair Handrails with the corresponding holes on the Post Slide Entry, insert corresponding hardware and tighten.

2. Align the Stair Handrails with the corresponding holes on the 5ft Stairs, insert corresponding hardware and tighten.



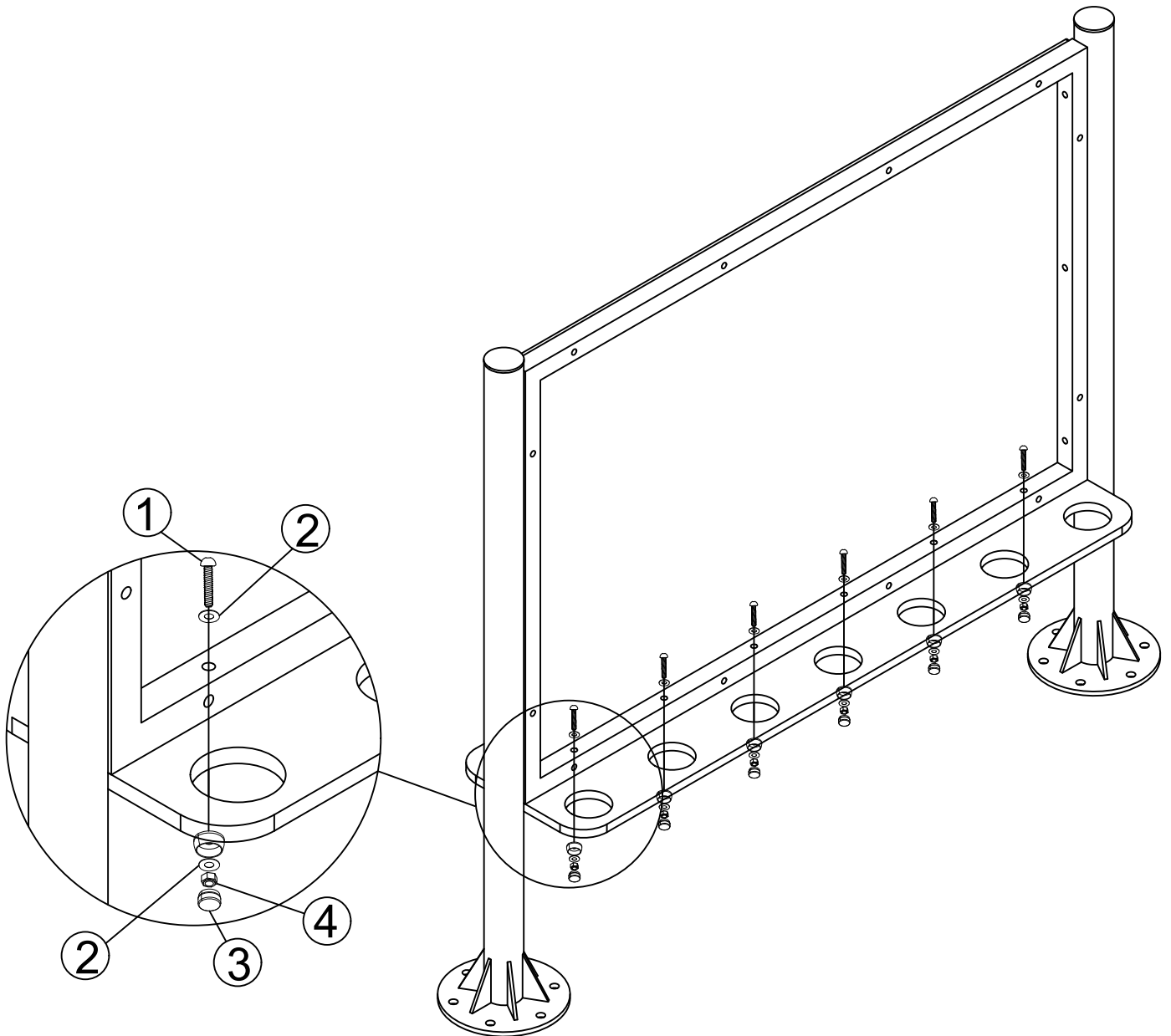
## 78-21002 Self-standing Easel - Whiteboard

### Installation Steps:

1. Align the Stair Handrails with the corresponding holes on the Post Slide Entry, insert corresponding hardware and tighten.

2. Align the Stair Handrails with the corresponding holes on the 5ft Stairs, insert corresponding hardware and tighten.

Number	Name	Model	Quantity
1	TAMPER RESISTANT TORX-BOLT	M8*65	6 per Deck
2	FLAT WASHER	8.5/23.5*T1.5mm	12 per Deck
3	PLASTIC CAP	φ34 M10	6 per Deck
4	M8 LOCK NUT	M8	6 per Deck



## 78-21002 Self-standing Easel - Whiteboard

### Installation Steps:

Number	Name	Model	Quantity
1	Expansion Bolt	M8*100	6 per Deck

1. Align the Stair Handrails with the corresponding holes on the Post Slide Entry, insert corresponding hardware and tighten.

2. Align the Stair Handrails with the corresponding holes on the 5ft Stairs, insert corresponding hardware and tighten.

