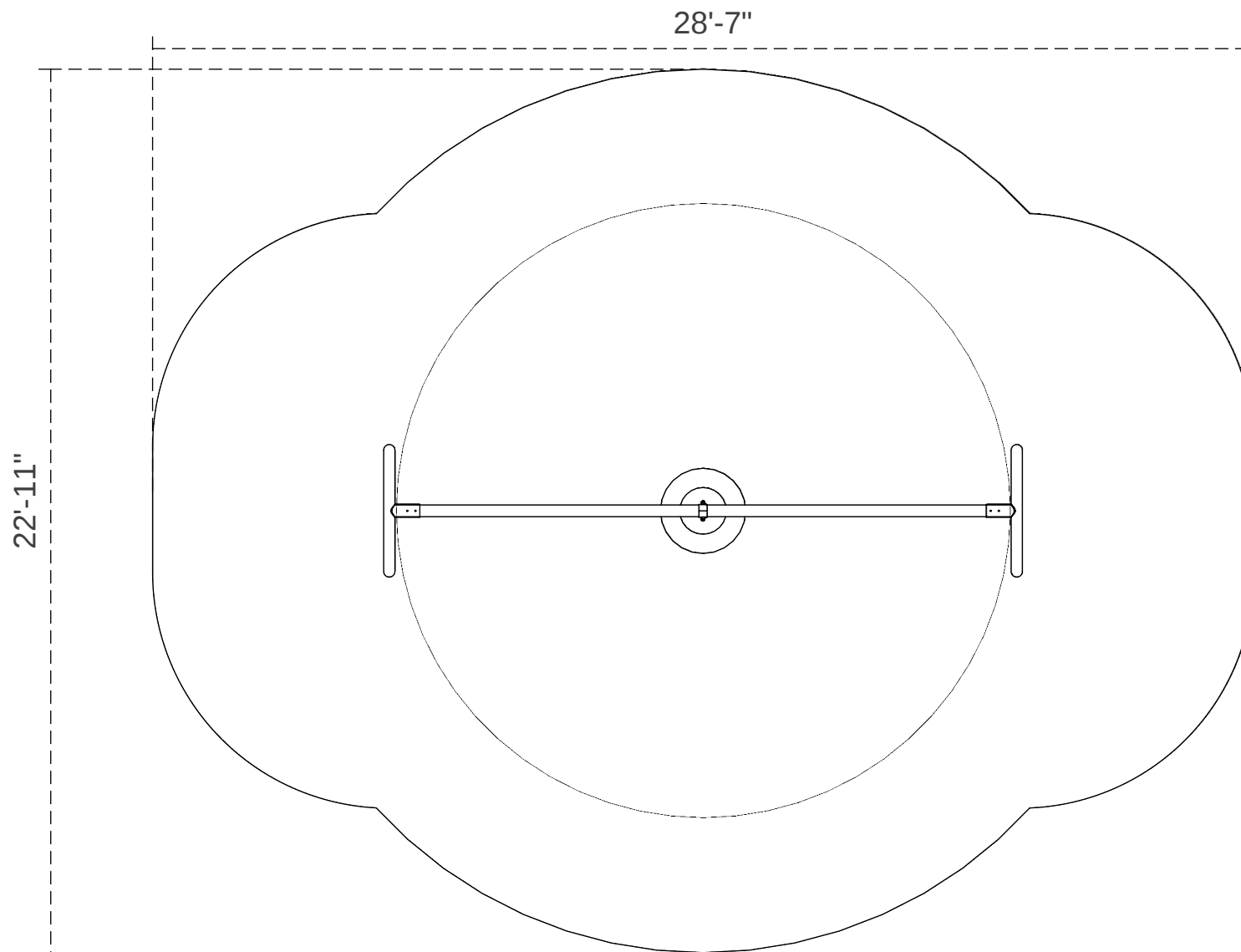


8ft Tire Swing



Footprint: 16'-7" x 3'-5"
Use Zone: 22'-11" x 28'-7"