



911-126 Model Christel



800-727-8180

www.sportsplayinc.com

INDEX

INDEX	2
Tool and Material Checklist.....	3
Introduction.....	4
Quick Guide	5
Safety Surfacing/Fall Heights.....	7
Punch List	9
Top Down View Scale	11
Footing Diagram	12
Post Installation.....	13
Deck and Pipe Clamp Installation.....	15
Deck Clamp 903-002	15
Pipe Clamp 903-001	15
Deck Clamp Plan:	16
Pipe Clamp Plan:.....	17
Deck Installation	19
Square Deck	19
Triangle Deck.....	19
Deck Plan:.....	20
5 Pole Hex Deck Half 902-707	21
5 Pole Hex Deck Plan:	22
90 Degree Right Turn Slide 902-280.....	23
90 Degree Right Turn Slide Plan:	24
Kickplate	25
Kick Plate Plan:.....	26
Vertical Climber 902-125-3, -4, -5, -6 & 902-127	27
Vertical Climber Plan:	28
Corkscrew Climber 902-133-3, -4, -5.....	29
Corkscrew Climber Plan:.....	30
Rock Wall 3', 4', & 5' 902-273-3,-4,-5.....	31
Rock Wall Plan:	32
Handholds 903-126 903-127.....	33
Hand Hold Plan:.....	34
Guard Wall 902-135-W	35
Guard Wall Plan:.....	36
5' Spiral Slide 902-245	37
5' Spiral Slide Plan:	39
Half Circle Climber 902-118	40
Half Circle Climber Plan:	41
“U” Climber 902-129-3, -4, -5, -6.....	42
“U” Climber Plan:.....	43
Bump Wave Slide 902-284, 5, 6.....	44
Bump Wave Slide Plan:	45
Hex Roof 902-277	46
Hex Roof Plan:.....	47
Label Installation	48
Top of Surfacing Label	48
Warning Label	48
Manufacturer Label.....	48
Trouble Shooting	49
Safety Checklist	50
Photo Appendix	51

Tool and Material Checklist

- To dig holes, the best method is a tractor with an auger. Use a 12" auger bit. No matter what you use, there will be a considerable amount of hand digging as well
- Shovels, long handled spades
- Post hole diggers
- Wheelbarrows
- Large construction bar (generally 5' long).
- Spray paint, to mark ground holes
- Pry bar
- Claw hammers
- Large dead-blow rubber hammers
- Small (3lb) Sledgehammer, to use in blocking the posts
- 7/32", 3/6", 1/8" Allen wrenches: These are very important. Several different types are helpful (socket style, small "L" arm, wrench styles etc.)
- Vise grips, large, regular and needle-nose
- 3/4" and 1/2" and 9/16" sockets, both 1/2" and 3/8" drives
- 6' and 8' stepladders, strong ones
- Extension cords (also duplexes to run more than one cord)
- 1/2" drill and 3/8" drill
- 1/2" and 1/2" drill bits and 1/2" spade bits
- Levels: magnetic torpedo, 4' long etc. (as many as possible)
- Shims and blocks from scrap lumber and a saw to cut sizes on site
- Small, skinny, flat shims are helpful in raising posts etc. 2" by 4" and 2" by 6" and Plywood are also helpful
- Pencils and markers
- String line
- Bar clamp 4'
- Sometimes bracing material is helpful (2" x 4" x 6' studs with sturdy lag bolt/nut combinations)
- Files, sandpaper, wood scraps
- Stones
- Cement
- Surfacing
- One brick per post

Introduction

BEFORE STARTING INSTALLATION OF YOUR PLAYGROUND, PLEASE READ INSTRUCTIONS THOROUGHLY.

SITE REQUIREMENTS:

The Playground system is designed to suit a level site. Should there be any falls or slopes on the site; care should be taken to accommodate the entry and exit points and to maintain the correct height. There should not be more than 3” of drop in grade per every 10’.

The site must be inspected for adverse conditions: All sites must be checked for existing utilities such as electricity, gas, water or any other underground hazards. 1-800-DIG-RITE is the number to call to have the services located.

1. Roots, rocks, or other natural obstacles that may pose as a trip hazard.
2. Poor drainage areas.
3. Broken glass or foreign objects around building site.

MAINTENANCE:

As an owner, it is most important that you are aware of your responsibility to insure safe use of your new equipment. It is necessary to install equipment correctly according to the installation instructions provided and inspect the equipment at regular intervals. During inspection, if any part is found damaged or excessively worn, equipment should immediately

be put out of service while the part is replaced. Lack of maintenance will result in premature wear, reduced life expectancy, and possible failure that might result in injury.

All SportsPlay Equipment play events have been engineered to meet all applicable safety guidelines, but if installed improperly, these problems may occur:

- Entrapment gaps (between 3 1/2” and 9” }
- String Entanglements
- Protrusions

Make sure that any bolt end that protrudes more than 2 threads past the face of the nut is trimmed and deburred smoothly. Always double-check your work.

Installation must adhere to the manufacturers assembly manual and all other applicable safety guidelines.

PLAY AREA:

The area immediately above and around the play structure must be free of any obstructions such as:

- Trees
- Other Play Equipment
- Buildings
- Overhead Power lines

Make sure the play area has all the required safety surfacing and the minimum fall zones as required by the safety guidelines. These guidelines can be found at www.cpsc.gov.

**CHILDREN MUST BE SUPERVISED AT ALL TIMES.
No playground is safe without adult supervision!**

Quick Guide

SITE – Make sure the area of installation is relatively level, free of obstacles and underground utilities. If a slope exists, care must be taken to accommodate entry and exit areas to insure they maintain the correct heights. Call 1-800-DIG-RITE to have a technician check the area for underground utilities. This service is free.

MATERIAL INVENTORY – Locate your Component Checklist and the 2d top down drawing included in the instructions. Use both to identify, inventory and best position the parts around the perimeter of the area. If you find damaged or parts missing, contact your SportsPlay Distributor immediately.

INSTRUCTIONS – Thoroughly read the instruction booklet BEFORE beginning the installation. Pay special attention to the pages describing post and deck installation. These are the ‘bones’ of your playground. If they are not properly installed, the remaining events will not install correctly. **KEEP THESE INSTRUCTIONS ON FILE.**

TOOLS – Locate the Tools Checklist in the instructions. Make sure all necessary tools are available at installation time. If you are using volunteers, send a note to them that includes the tool list. You may be able to borrow most items instead of renting.

SUPPLIES – Set your installation date and order supplies from your local building center. You will need some flat

concrete stones for blocking holes, some scrap lumber for bracing and cement. You can figure about 2 80# concrete bags per hole.

DECK LAYOUT – Find the grid drawing in the instruction booklet. Decide which way to orient the structure. ALL fall zone measurements MUST be accommodated. Locate the lowest deck on the drawing. You can start laying out the structure by placing the lowest deck on the ground and then double check your measurements. Measure twice, install once! Consult the instruction booklet for post and deck installation instructions.

BRACING – As the decks and kick plates are installed, be sure to level the posts and place braces in the holes to keep them from shifting. Periodically, plumb and level all posts as you work your way around the playground.

COMPONENT INSTALLATION – Consult the instruction booklet for separate installation instructions for each component on your playground. Begin installing from the lowest deck in a clockwise rotation around the structure back around to the starting deck. Tighten panels as you go, making sure to plumb and level posts.

VISUAL INSPECTION – After all components are installed and tight, do a visual inspection to ensure the panels and posts are level, in the proper place, and look good with respect to one another. Once satisfied, you are ready for concrete.

CONCRETE – Mix the concrete according to the directions. DO NOT mix directly in the hole. Fill each hole to within 2 inches of the original surface. Crown for drainage, and cure 48 hours.

SECURE AREA – Fence off or lock area to insure that NO ONE can play on the playground until it is completely finished. You may consider contacting local law enforcement to inform them of the new installation and ask them to check the area frequently during the night.

BACKFILL AND CLEANUP – 48 hours after pouring cement, backfill all of the holes with dirt to the original ground level and make sure the area is free of any tools, hardware, or sharp objects.

SURFACING – Use the chart on page 8 to decide how much safety surfacing is required. Before spreading loose fill surfacing, be sure to install a weed barrier outside the fall zone dimension, then spread the safety surfacing.

LAST THING – Make one more tour around the playground and physically make sure all hardware is tight.

OPEN FOR PLAY – After the safety surfacing is installed and the hardware has been checked for tightness, your playground is ready for play.

MAINTENANCE - Consult your instruction booklet for the maintenance checklist. Schedule and complete periodic maintenance checks of the entire playground. If any hardware is worn, or any item missing or broken, close the playground and contact your SportsPlay distributor for replacement parts.

Check resilient surfacing depths, move or add additional surfacing if necessary. Make sure the playground area remains free of obstacles, broken glass or other sharp objects.

Safety Surfacing/Fall Heights

You must consider the type of safety surfacing you will use before beginning the installation process. There are two general types, organic/loose fill or synthetic unitary. Both materials have advantages and disadvantages and it is likely that your client's budget will dictate the material of choice. Always have all options available as product quality and long-term performance may cause your client to reevaluate their original budget.

When installing a unitary safety surfacing material such as rubber mats or poured-in-place, you will need to pour a concrete slab so that the rubber material can be secured. This type of product cannot be placed on dirt.

If a loose fill surface such as wood chips is selected, you will need to consider containment borders. There are many products to choose from including hard plastic and natural products such as wood. Creosoted railroad ties are NOT recommended. Loose fill materials like wood chips are easily displaced, so 12" deep is generally satisfactory. Also remember that loose fill will compress with repeated use.

Weed mat: Some use a landscaping fabric material that allows drainage but prevents weed growth. Weed mats are installed after the structure is installed but before the resilient surfacing is installed.

Borders: Building borders above ground, below grade, or on grade depends upon the area in which you live. Assuming you must use 12" of resilient surfacing, there are three basic types of installation:

1. 12" below existing grade
2. 6" below and 6" above existing grade
3. 12" above existing grade

The tallest deck on the unit generally defines the maximum fall height of a structure. If upper body equipment (horizontal ladder) is attached, the fall height is then the distance from the highest part of the equipment to the protective surfacing. Refer to the Top Down View to determine the maximum fall height.

Since the structure will be installed at dirt grade, the height of the resilient surfacing must be determined and factored into the height of installation of decks. For example, if the resilient surfacing will be 12" deep, a 3' deck height will actually install at 4'. When the structure is completed and the surfacing is installed, the deck then will be 3' above the level of the resilient surfacing.

Safety Surfacing Chart

Chart taken from The Handbook for Public Playground Safety written by the U.S. Consumer Product Safety Commission (CPSC) page 5 (www.cpsc.gov).

Table – Critical heights (in feet) of Tested Materials

Material		Uncompressed Depths		Compressed Depths
	6”	9”	12”	9 “
Wood Chips	4	10	11	10
Double Shredded Bark Mulch	6	10	11	7
Engineered Wood Fibers	6	7	>12	6
Fine Sand	5	5	9	5
Course Sand	5	5	6	4
Fine Gravel	6	7	10	6
Medium Gravel	5	5	6	5
Shredded Tires	10-12	N/A	N/A	N/A

These directions are written based upon a depth of 12” of resilient surfacing.

Do not forget to calculate the compressed resilient surfacing depth needed and adjust your “dirt grade height” accordingly.

Punch List

Step 1: Layout

1. Lay square deck on ground in the desired location and measure from all corners to insure there is adequate room. (Refer to Grid Drawing pg. 11)
2. Most installers usually like to orientate the playground so that the entry point of the playground is facing either the sidewalk or the direction from which the children are coming.

Step 2: Holes

1. Mark the locations of all post holes by laying out all the decks in the correct orientation. Make sure all the decks are touching each other and flush on the edges. Then use the center point of each deck corner and marking them with paint or a wooden stake.
2. After the holes are marked, move the decks out of the digging area and dig the first four holes per the footing drawing on page 12.
3. Fill or dig the depth of 1 main hole to what is required; this hole will be used to get the other three holes the same depth in reference to each other. Make sure the hole is flat and tamped solid, then place a small piece of plywood or brick in the bottom. You must take this in account when determining the hole depth.
4. Now, if possible, use a transit to maintain the same hole depth on the remaining three holes, if you don't have access to a transit, then park a line on the first post about two inches above the dirt level. Then measure up from the bottom of the post to this mark and mark a line

on the other three posts at the same distance. Now use a four-foot level across to each line, raising or lowering as necessary to make the lines level. Repeat this for the remaining two posts.

Step 3: Deck and Post Installation

1. Begin by installing the 4' and 5' 5 pole half hex decks. Measure 48" plus the amount of safety surfacing and make a mark on the post, this is the height of the deck clamps. The other deck heights will be the labeled height plus the amount of surfacing.
2. Install a deck clamp per instruction page 15. Tighten all hardware.
3. Now make sure that you have two other helpers and the required deck clamp hardware.
4. Place five posts into the holes and let them rest on the hole edges. Now install the deck on two of the deck clamps and install hardware down through the deck and clamp and install the locknut on the bottom. Do not tighten at this point.
5. Next place the two corner posts on the deck and install the hardware.
6. Last install the remaining center post and tighten hardware.
7. Continue building the main structure by adding the overhead climber, kickplates and other decks and posts per the illustration until all the decks, kickplates, and posts are installed. Make sure the posts are level as you tighten the hardware, this will make the component installation much easier.

8. It may be necessary to brace the deck and posts with lumber to make sure they stay in place and level. Also make sure the deck was installed level.

Step 4 – Component Installation

1. Begin by installing Vertical Climber per instructions on page 27.
2. Now install the 90 Degree slide per instructions on page 23.
3. Install the Guar Wall per instructions on page 33.
4. Now install the Corkscrew Climber per instructions on page 29.
5. Install the Rock Wall per instructions on page 31.
6. Next install a Guard Wall per instructions page 35.
7. Now install the Half Circle Climber per instructions page 40.
8. Install the Guard Wall per instructions on page 35.
9. Next install the Bump Wave Slides per instructions on page 44.
10. Install the U Climber per instructions on page 42.
11. Now install Spiral Slide per instructions on page 37.

12. Finally install the Hex Roof per instructions on page 46.

Step 5: Concrete

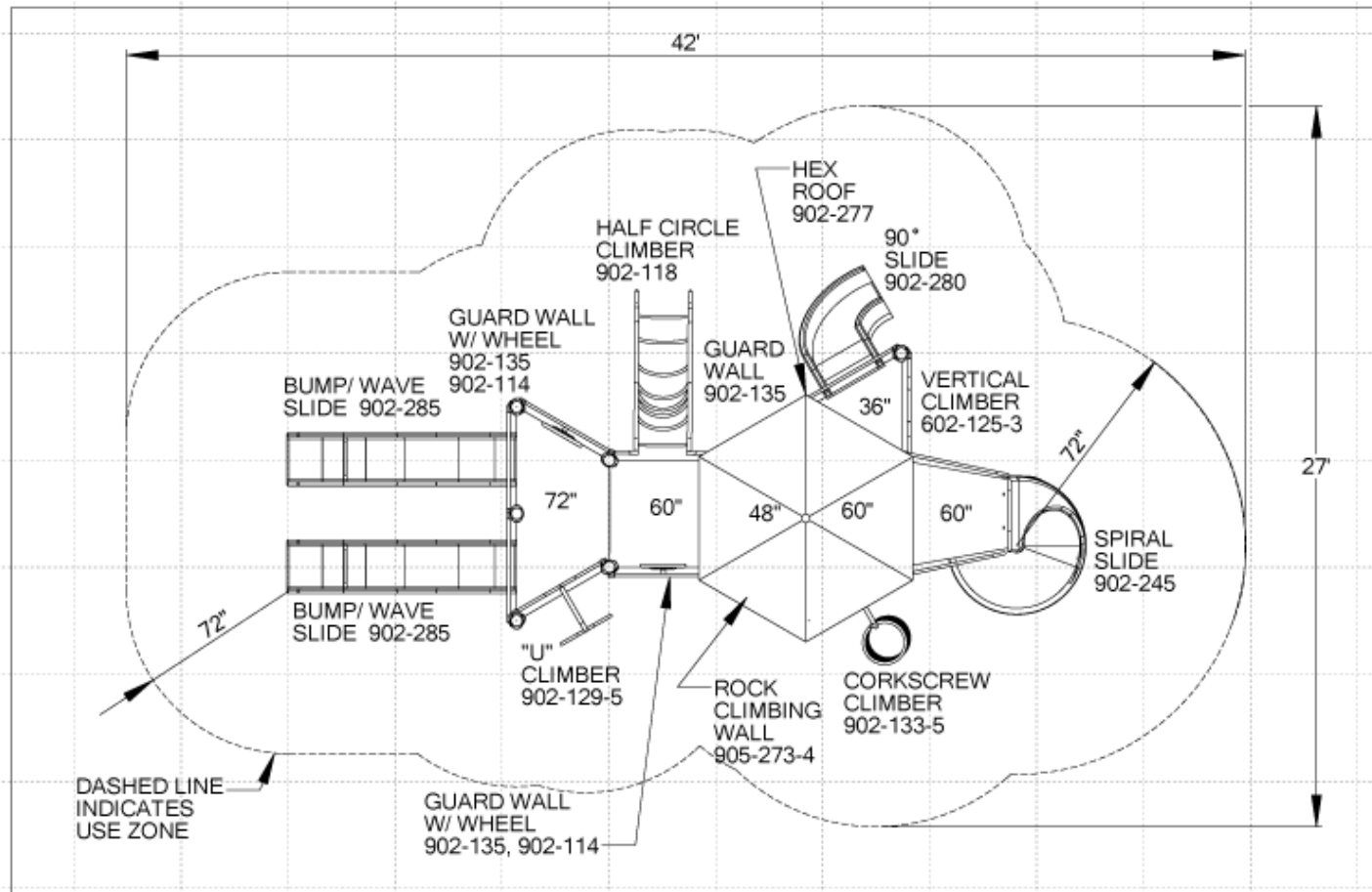
1. Once all components and posts are tight and level, you may concrete. A good rule of thumb is two 80 lb. bags of concrete per hole. Do not “dry bag” the concrete, always mix per instructions on concrete bag. Be sure to leave concrete about 2” from the top of the ground to allow backfill.
2. Be sure that all splattered concrete is washed off of the posts and components while it is still wet.
3. Block off installation area for at least 48 hours.

Step 6: Final after 48 hours

1. Return in 2 days to backfill concrete, drill and install drive (roll) pins per instructions, and install safety surfacing.
2. Inspect all components to insure the hardware is tight and all panels are level.
3. Make sure all tools and dropped hardware are removed from play area.
4. Open the playground.

Top Down View Scale

Accurate scale drawings have been included at the end of these instructions for your convenience.



SportsPlay
 5642 Natural Bridge
 800-727-8180
 Fax: 314-389-9034
 www.sportsplayinc.com

Age Appropriateness"
 5-12 Yrs
 Size: 30' X 15'
 Use Zone: 42' X 27'
 Critical Fall Height: 60"

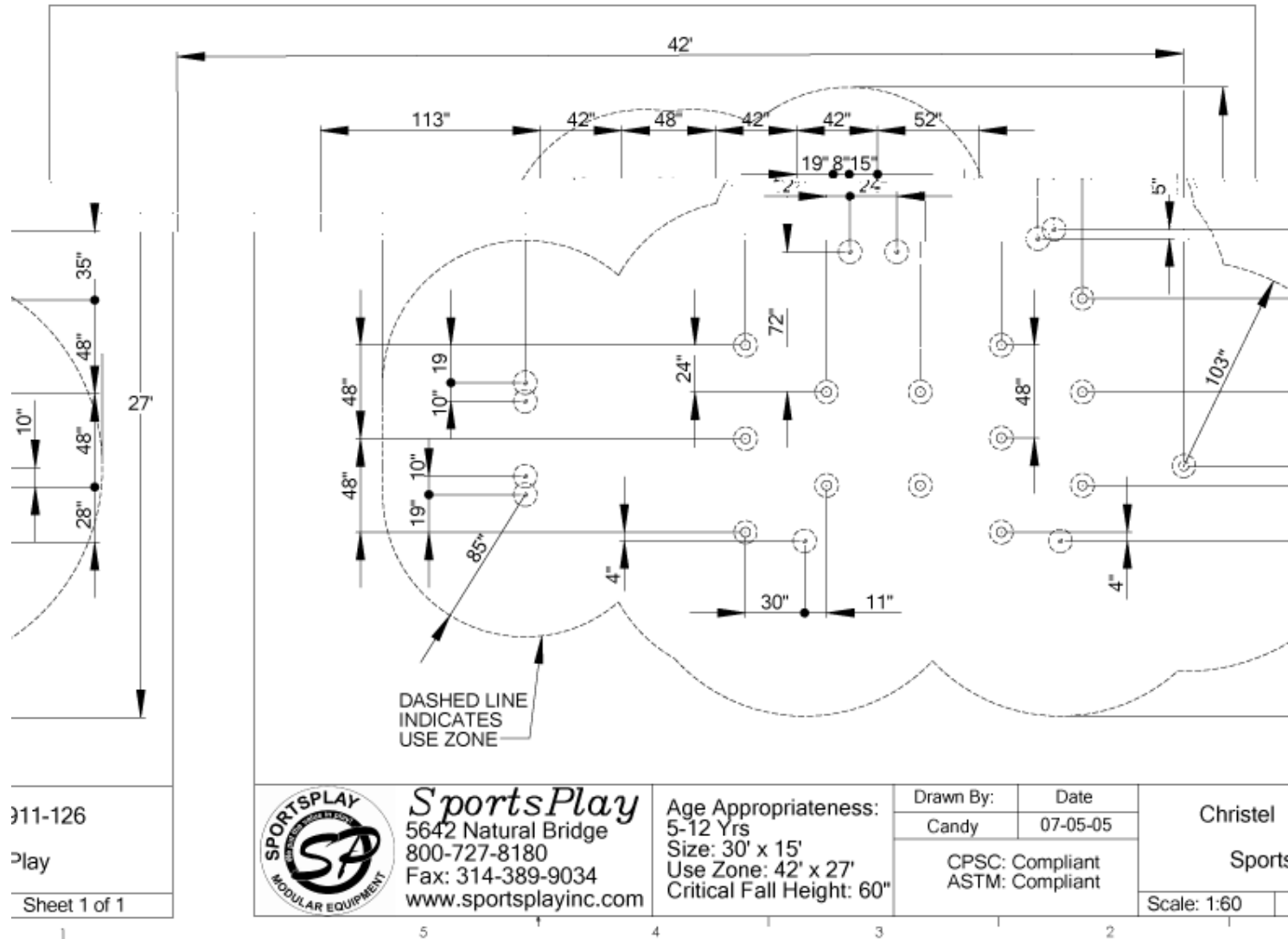
Drawn By:	Date
Candy	07-05-05
CPSC: Compliant ASTM: Compliant	

Christel 911-126
 SportsPlay

Scale: 1:60 Sheet 1 of 1

5 4 3 2 1

Footing Diagram



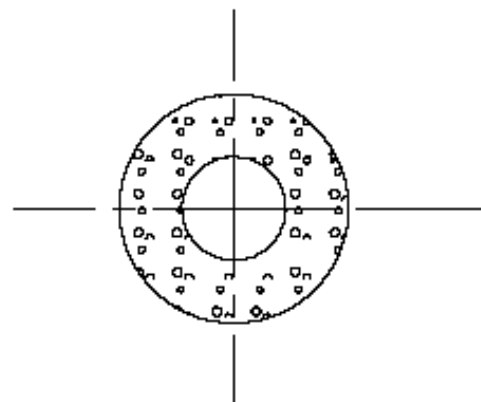
11-126
 ay
 Sheet 1 of 1

Post Installation

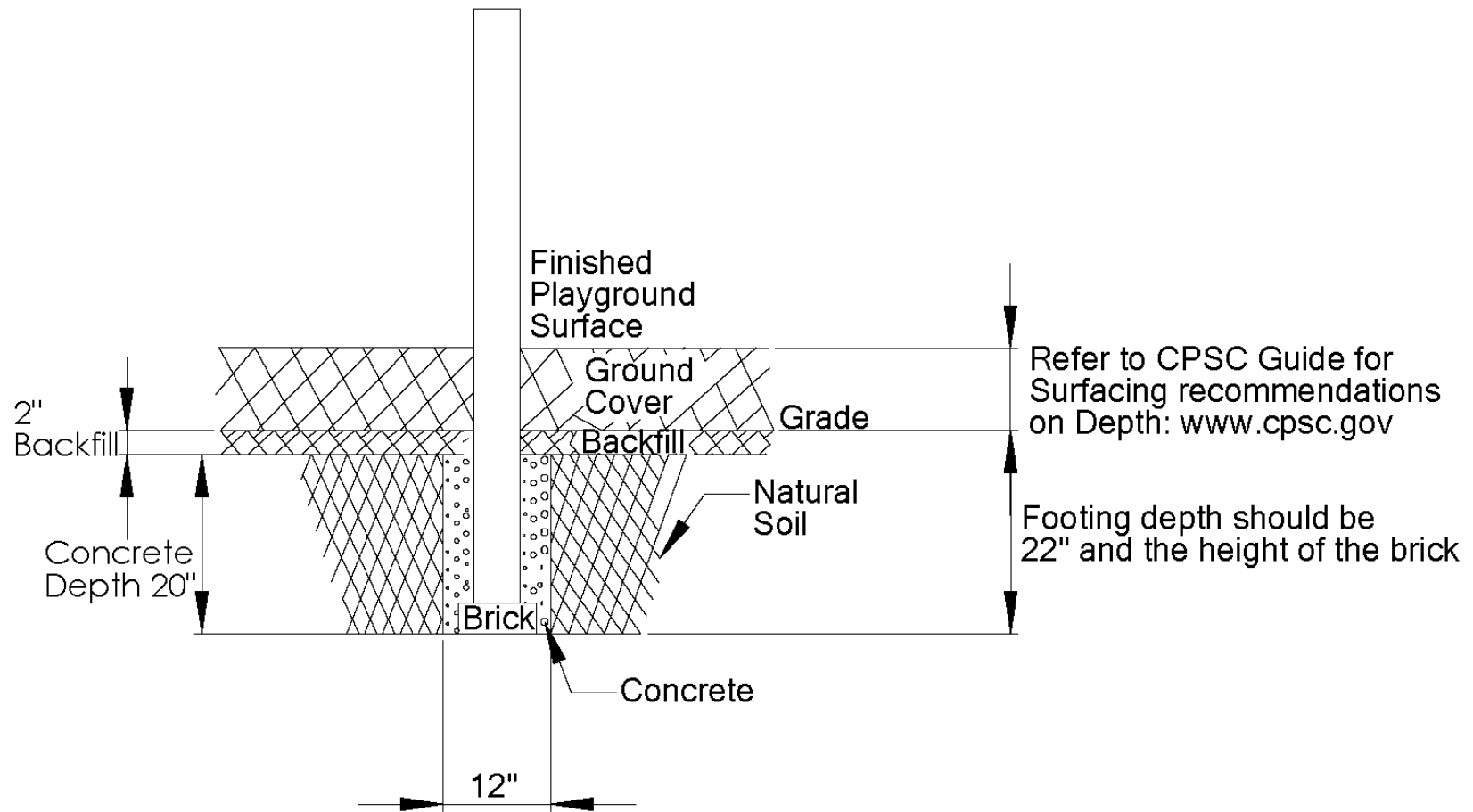
Footing size may vary due to local soil and weather conditions. Base of footing **MUST** be below the frost line.

- Dig holes straight down, with a flat bottom and 12” wide making sure to dig holes wide and not cone shaped.
 - Hole depths are 22” deep (this depth changes slightly with grade).
 - Place a brick in the bottom of the hole.
 - Post is placed on top of the brick.
 - If the bottom is not flat and roomy, there will be no room to adjust. It is much easier to have too much room rather than not enough.
 - You can dig by hand using a posthole digger, but a tractor with a 12” auger will make the task much easier.
 - Post tops should be level with one another.
 - **USE A LONG, HEAVY CONSTRUCTION BAR** to adjust levels of posts, legs, etc. **DO NOT** try to level by pushing posts at shoulder or waist length. Carefully bump the posts at the bottom **IN THE DIRECTION YOU WANT THE POST TO GO**.
 - Mark holes and dig by laying the deck on ground and using it as “jig”. Place (4) deck clamps, one per corner, spray paint through middle of clamp onto ground. This marks where the centers of the postholes should be.
 - Remove the deck and clamps from the area.
 - Dig the (4) holes 22” deep and 12” wide. Holes are straight down and flat-bottomed. Install 10” diameter plywood in hole bottoms and place a brick in the bottom of the hole.
- Use a marker to mark 22” from bottom of posts. Use these marks so you can run a 4’ level across marks to make sure the tops of the posts are equal to each other. If line marks are on bubble, then post tops should be on bubble to each other.
 - Install the red plastic end caps on post bottoms.
 - Since your holes are 12” diameter and posts are centered in holes you have approx. 3 1/2” all around the post.
 - Block the posts into center of holes when posts are on bubble. Use scrap lumber and wedges to solidify the posts in their holes as you level the posts. Re-blocking may be necessary at times in order to achieve level. You may also have to widen your holes if they are not dug on center.

Top down view of post set into hole:



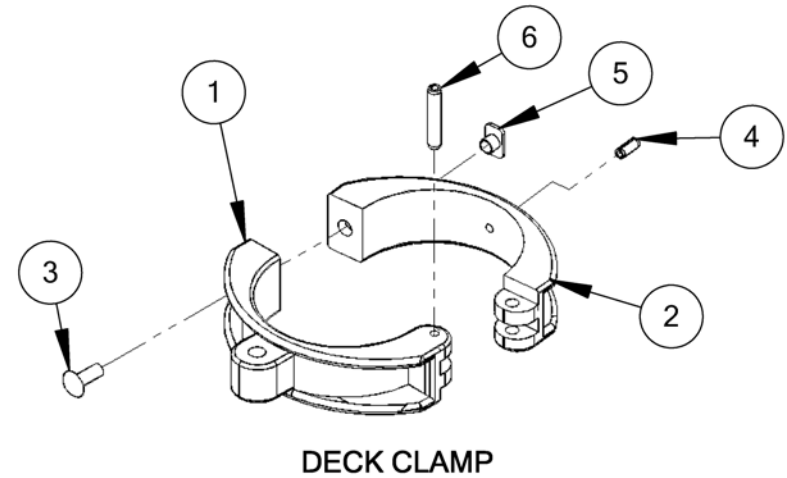
Side view of installed post



Deck and Pipe Clamp Installation

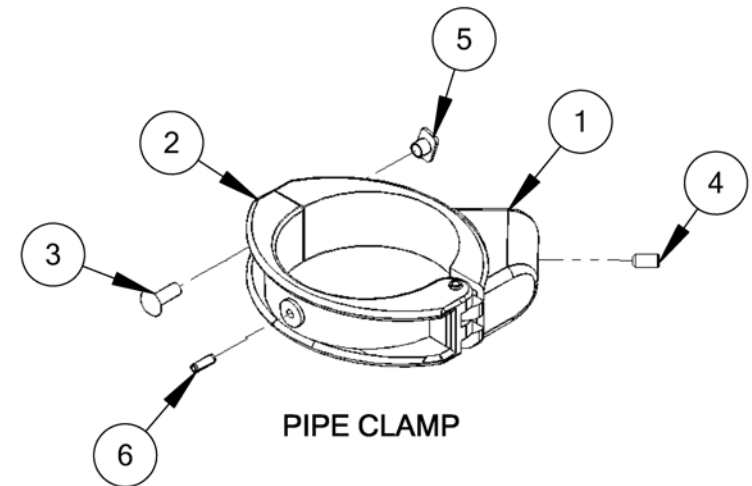
Deck Clamp 903-002

Item #	Part #	Part Description	Quantity
1	105-025	Clamp half FRONT	1
2	105-026	Clamp half BACK	1
3	116-600	1/2" x 2 1/2" Button Head Bolt	1
4	196-550	Roll Pin 1/4" x 1 3/4"	1
5	236-601	3/8" T-Nut	1
6	196-555	Roll Pin 1/4" x 3/4"	1
7	126-703	3/8" x 1" Button Head Bolt	1
8	226-801	1/2" Lock Nut	1
9	316-801	1/2" Washer	2



Pipe Clamp 903-001

Item #	Part #	Part Description	Quantity
1	904-002	Clamp half – BACK	1
2	904-001	Clamp half – FRONT	1
3	126-706	3/8" x 1 3/4" Button Head Bolt	2
4	196-807	Socket Set Screw 3/8" x 3/8"	1
5	236-601	T-Nut 3/8"	2
6	196-555	Roll Pin 1/4" x 3/4"	1



Deck Clamp Plan:

The deck clamps connect to the main upright posts according to the deck height(s) located on the Top Down View.

INSTRUCTIONS:

1. Install the deck clamps to the center of the deck corners. If clamps are off center, then the line of posts will not be straight and the components will not connect properly.
2. Raise the deck to the proper level according to the deck height found on the Top Down View.
3. Hand tighten the button head bolt. Do not over tighten because the post may 'swing'.
4. Decks attach to the clamps using 1/2" x 2 1/4" Button head bolts, washer on top and bottom with 1/2" lock nuts. Connect the deck bolt firmly.
5. Check the deck and all four posts to insure they are level and the deck is at the proper height.
6. Once the deck and all four posts are level and the deck is at the proper height, tighten the clamp onto the post.
7. Install Roll Pins

When the playground has been built and there are no more adjustments, drill through all of the clamps (through pre-drilled 1/4" drill holes in clamps) and the 5" O.D. posts. Use a sharp 1/4" metal drill bit to drill a straight hole. Do not egg out the holes. Then tap a 3/4" roll pin through clamp into post so that the pin is flush with the clamp. Do not allow pins to protrude. If a pin has been installed but a clamp or component has to be moved, the pin can be knocked through into post.

IMPORTANT: Extra roll pins can be installed through certain high traffic clamp applications such as firepoles, roof clamps, handholds, etc. Finally smooth down any drill holes etc., with steel wool or a file.

SPECIFICATIONS:

Event: Clamps shall be 6061T5 aluminum fastener for 5" OD posts weighing 2.21 lbs.

Paint shall be electrostatically applied oven cured powdercoat.

Hardware: Stainless Steel tamper resistant

MAINTENANCE:

Touch up any marred paint surfaces.

Periodically check hardware for integrity and tightness.

Pipe Clamp Plan:

The pipe clamps connect to the main upright posts according to the height of the events found on the Top Down View.

INSTRUCTIONS:

There are two ways to install the clamps:

1. Pre-install the clamp to the post first, then slide the 1 3/8" O.D. pipe into the clamp.
2. Install the clamp over the 1 3/8" pipe first, and then install the clamp to the post.

You will do both of these applications, depending on the circumstances.

1. Clamp is installed to post first, then 1 3/8" O.D. pipe moves into clamp.
2. Install clamp to pipe first, then to post. Fit clamp onto the pipe, and install the clamp "sideways" over the post. You may have to assert some pressure. **MAKE SURE PIPES ARE ALL THE WAY INTO CLAMPS BEFORE INSTALLING ONTO POSTS.** (2 1/4" end of pipe goes inside clamp) Use rubber hammer for clamps.

You can use a marker to mark the location of clamps when pre-installing posts. If a pipe clamp is close to another clamp or a deck etc. it may be necessary to pre-tighten the set screw to clamp, then move clamp into position. For convenience of installing button head bolts, it is necessary that the bolt heads face outward.

If the clamp is crooked to the pipe, and the pipe WILL NOT be able to enter the clamp. Sometimes, you can coax the clamp onto the pipe with a rubber hammer. If that will not work, take clamp off and install it "sideways", placing it on the pipe first and then onto the post. Pipes enter into clamps 2 1/4" deep. Components like walls, vertical climbers, ladder ends, etc. are all 48" long, and the pipe ends have to go straight into the clamps or the connection will not work. If you force a clamp it can break!

All of our components such as walls, climbers, horizontal ladders, arch walls etc. are 48" wide, and clamp to the middle of the posts. That means that these components are centered onto the posts at 48" on center.

There is up to 4" of extra room in the pipe clamp cavities, 2" to the left and 2" to the right. This means that it is possible to be either too far left or right of center. Keep in mind that all **COMPONENTS HAVE TO BE CENTERED**, that the left and right are inserted equally into clamps!

When the playground has been built and there are no more adjustments, drill through all of the clamps (through pre-drilled 1/4" drill holes in clamps) and the 5" O.D. posts. Use a sharp 1/4" metal drill bit to drill a straight hole. Do not egg out the holes. Then tap a 3/4" roll pin through clamp into post so that the pin is flush with the clamp. Do not allow pins to protrude. If a pin has been installed but a clamp or component has to be moved, the pin can be knocked through into post.

Extra roll pins can be installed through certain high traffic clamp applications such as firepoles, roof clamps, handholds,

etc. Finally smooth down any drill holes etc., with steel wool or a file.

SPECIFICATIONS:

Event: Clamps shall be 6061TS aluminum fastener for 5" OD posts weighing 2.21 lbs.

Paint shall be electrostatically applied oven cured powdercoat.

Hardware: Stainless Steel tamper resistant

MAINTENANCE:

Touch up any marred paint surfaces.

Periodically check hardware for integrity and tightness.

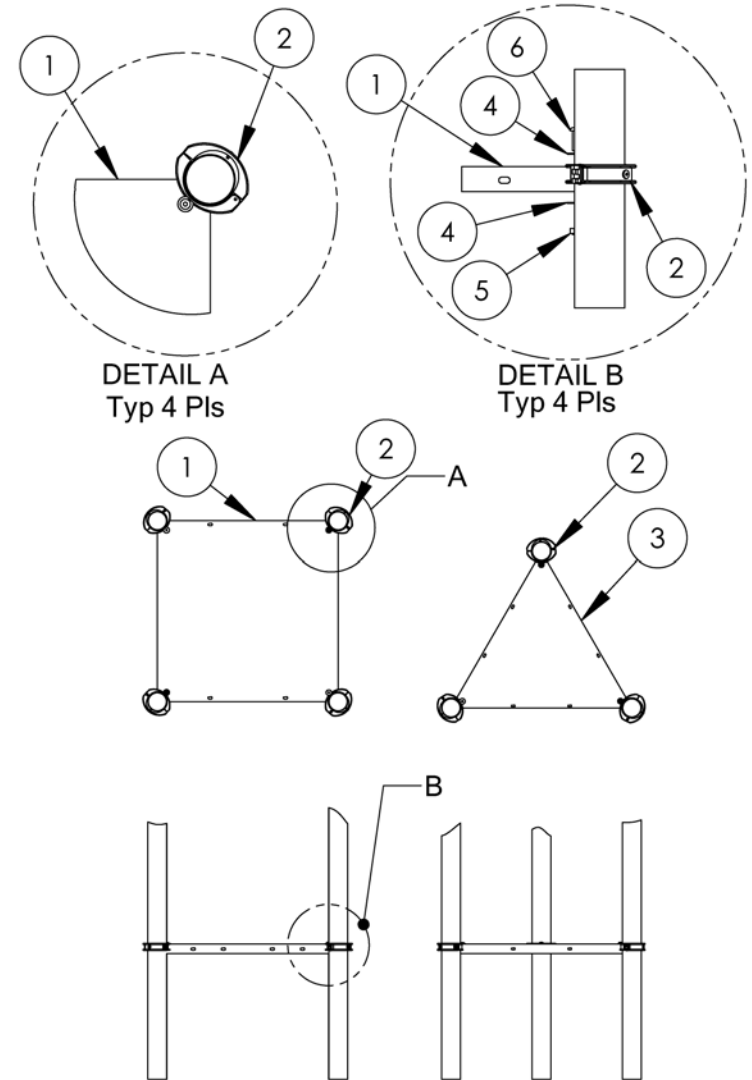
Deck Installation

Square Deck

Item #	Part #	Part Description	Quantity
1	905-705	Square Deck	1
2	903-002	Deck Clamp Assembly	4
4	316-801	1/2" Washer	8
5	226-801	1/2" Lock Nut	4
6	126-703	3/8" x 1" Button Head Bolt	4

Triangle Deck

Item #	Part #	Part Description	Quantity
2	903-002	Deck Clamp Assembly	3
3	905-710	Triangle Deck	1
4	316-801	1/2" Washer	6
5	226-801	1/2" Lock Nut	3
6	126-703	3/8" x 1" Button Head Bolt	3



Deck Plan:

The deck(s) connect to the main upright posts according to the specifications found on the Top Down View.

INSTRUCTIONS:

There are two methods:

The BEST method is to make a table or stand to place your deck on at the required deck height. The table will stabilize the deck so you can level it.

You can make a table from sawhorses.

Deck stand or table holds deck while you build around it.

Blocks stabilize the posts while table stabilizes the deck.

The second method is to pre-install the (4) deck clamps so that there is 42 1/4" between the holes in the deck clamps.

Use a level and a marker to make sure the clamps are level to each other.

Place deck onto clamps and bolt.

This method works but is less stable than the first method. The deck and posts will stabilize more as you add components

Pre-install deck clamps and level.

SPECIFICATIONS:

Event: Steel Deck shall be constructed of #12 gage perforated steel, welded to 2 1/2" x 2" by 18" angle frame, 1/4" endplates, center-bracing, plastisol coated and oven cured.

, welded to 2 1/2" x 2" by 18" angle frame, 1/4" endplates, center-bracing, plastisol coated and oven cured. Square Deck is 48" x 48" (2304 square inches), Hex Deck is 7 1/2" by 8' (8640 square inches); Triangle is 48" square 16 gage.

Paint: Oven cured plastisol

Hardware: Stainless Steel tamper resistant

MAINTENANCE:

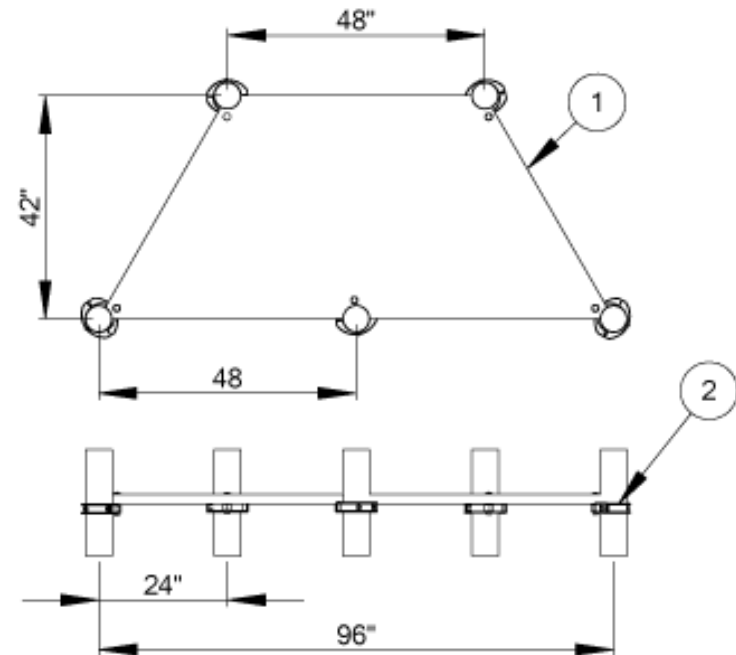
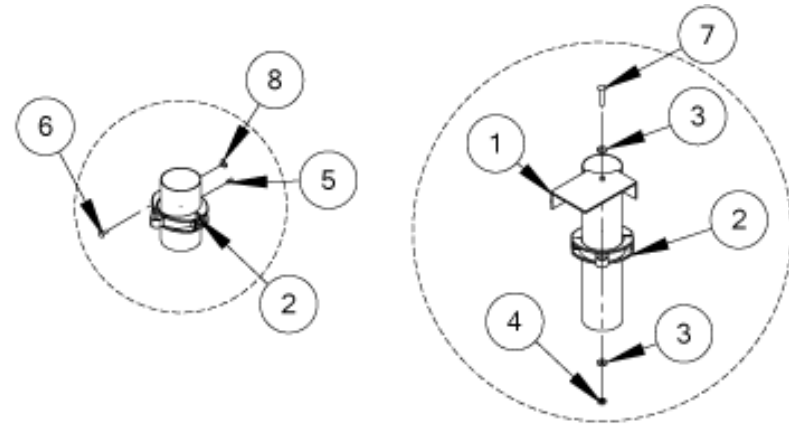
Touch up any marred paint surfaces.

Periodically check hardware for integrity and tightness.

5 Pole Hex Deck Half

902-707

ITEM NO.	PART NUMBER	DESCRIPTION	QTY.
1	905-701	Half Hex w/Center Post	1
2	903-002	Deck Clamp	5
3	316-801	1/2" Flat Washer	10
4	226-801	1/2" Lock Nut	5
5	196-555	1/4" x 3/4" Roll Pin	5
6	126-703	3/8" x 1" Buttonhead Bolt	5
7	116-600	1/2" x 2-1/2" Buttonhead Bolt	5
8	236-601	3/8" T-Nut	5



5 Pole Hex Deck Plan:

The deck(s) connect to the main upright posts according to the specifications found on the Top Down View.

INSTRUCTIONS:

There are two methods:

The BEST method is to make a table or stand to place your deck on at the required deck height. The table will stabilize the deck so you can level it.

You can make a table from sawhorses.

Deck stand or table holds deck while you build around it.

Blocks stabilize the posts while table stabilizes the deck.

The second method is to pre-install the (5) deck clamps so that there is 42 1/4" between the holes in the deck clamps.

Use a level and a marker to make sure the clamps are level to each other.

Place deck onto clamps and bolt.

This method works but is less stable than the first method. The deck and posts will stabilize more as you add components

Pre-install deck clamps and level.

SPECIFICATIONS:

Event: Steel Decks are constructed of 12 gage perforated steel.

Paint: Oven cured plastisol

Hardware: Stainless Steel tamper resistant

MAINTENANCE:

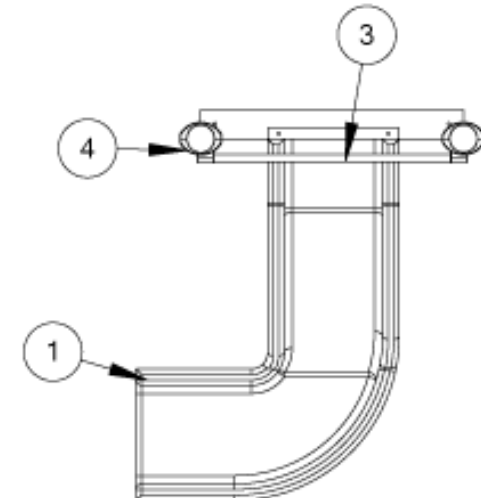
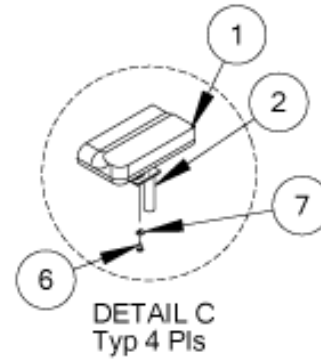
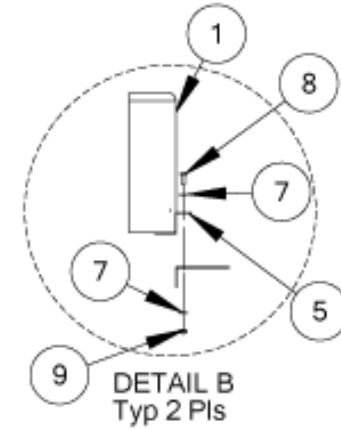
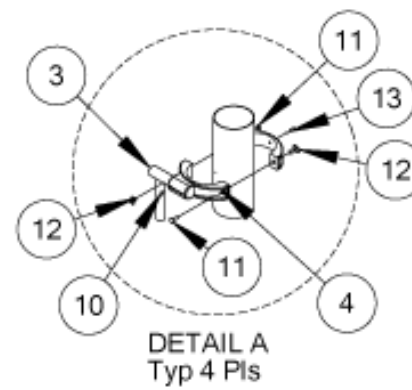
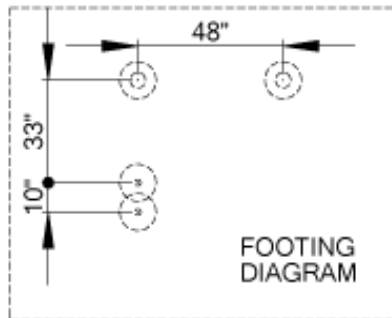
Touch up any marred paint surfaces.

Periodically check hardware for integrity and tightness.

90 Degree Right Turn Slide

902-280

ITEM NO.	PART NUMBER	DESCRIPTION	QTY.
1	435-613	90 Degree Right Turn Slide	1
2	903-214	"T" Leg for Slide	2
3	913-115	Slide Guard 48"	1
4	903-001	Pipe Clamp	4
5	000-000	"Z" Plate	1
6	126-702	3/8" x 3/4" Buttonhead Bolt	4
7	316-601	3/8" Flat Washer	8
8	126-701	3/8" x 1-1/4" Buttonhead Bolt	2
9	226-602	3/8" Nylon Lock Nut	2
10	196-807	3/8" x 3/8" Socket Set Screw	4
11	126-706	3/8" x 1-3/4" Buttonhead Bolt	8
12	236-601	3/8" T-Nut	8
13	196-555	1/4" x 3/4" Roll Pin	4



90 Degree Right Turn Slide Plan:

The 90 Degree Right Turn Slide attaches to the deck by bolting through the Z plate and the deck sidewall. See the Top Down View for placement.

INSTRUCTIONS:

- Underneath the ‘foot’ of the slide, there are two sets of threaded inserts into which the slide legs attach.
- Using your slide as a template, mark the ground holes for the slide legs making sure that the holes in the Z plate are aligned with the holes in the deck and the A plate is at a 90 degree angle to the deck. Prop the ‘foot’ of the slide up and mark hole locations.
- Dig one hole for both legs 12” wide by 20” long and 24” deep.
- Connect the slide legs to the threaded inserts with four 3/4” x 3/8” button head bolts.
- Place the bottom end of the slide with installed legs and re-bars through the hole in the bottom of the slide legs into the ground.
- Carefully tip the top of the slide back onto the deck.
- Make sure you ream the vinyl coated holes out (15” apart) with a 1/2” metal drill bit.
- Connect the Z plate to the deck with two 3/8” x 1 1/4” button head bolts, no washer on top, and 3/8” washer and lock nut on the bottom.
- Place a level over the bottom to be sure it is on bubble, block and level.
- Install the slide guard and four clamps over the deck entry on the “deck side” so that the top of the guard is approximately 38” above the deck.

SPECIFICATIONS:

Event: 90 Degree Right Turn Slide is 3/8” wall, rotationally molded, 24” wide slide bed with 6” high side rails. Metal brackets are powdercoated.

Paint shall be electrostatically applied oven cured powdercoat.

Hardware: Stainless steel tamper resistant

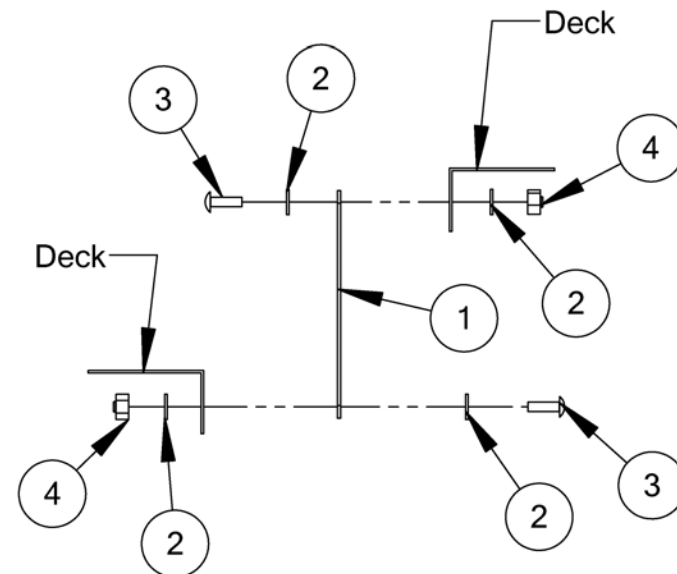
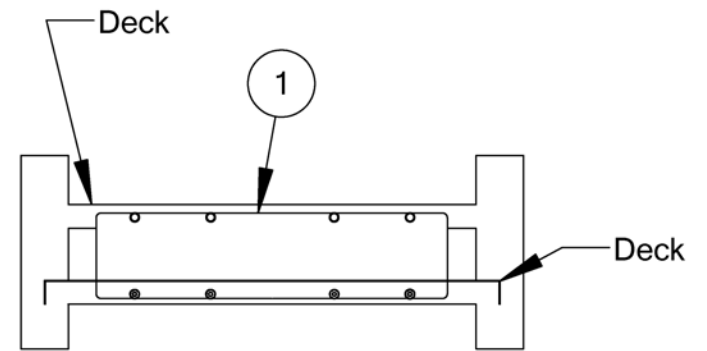
MAINTENANCE:

Touch up any marred paint surfaces.

Periodically check hardware for integrity and tightness.

Kickplate

Item #	Part #	Part Description	Quantity
1	902-246	9" x 37" Kick plate	1
	902-247	12" x 37" Kick plate	
	902-249	26" x 37" Kick plate	
2	316-601	3/8" Flat Washer	16
3	126-701	3/8" x 1 1/4" Button head bolt	8
4	226-601	3/8" Lock Nut	8



Kick Plate Plan:

Kick plates are installed to close the gaps created when decks rise in 'staircase' fashion.

INSTRUCTIONS:

- Kick plates are bolted to the FRONT of the higher deck and the BACK of the lower deck.
- Bolt kick plate to both decks.
- Insure that all hardware is tight.

SPECIFICATIONS:

Event: Kick plates are powdercoated.

Paint shall be electrostatically applied oven cured powdercoat.

Hardware: Stainless steel tamper resistant

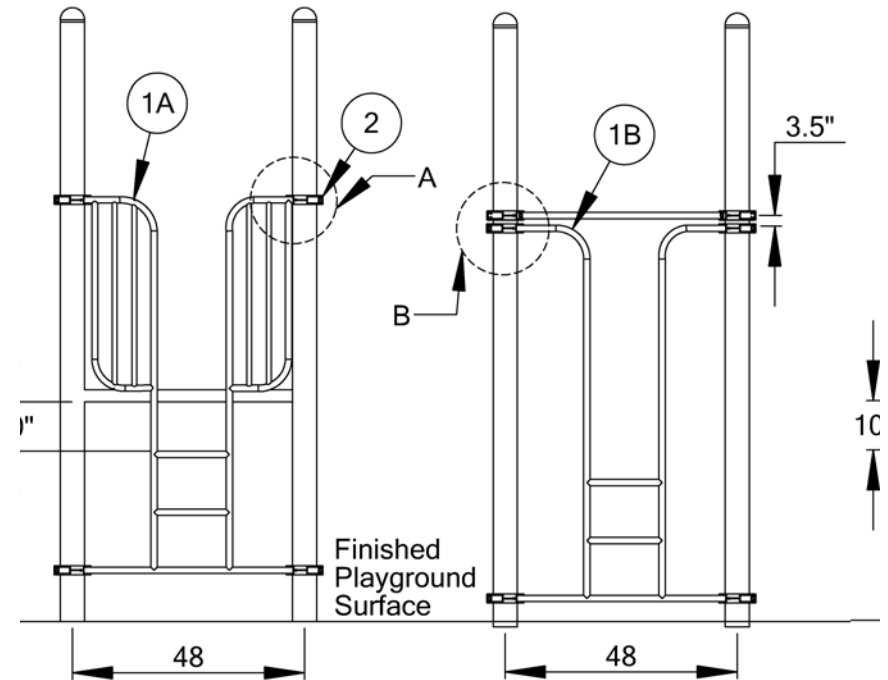
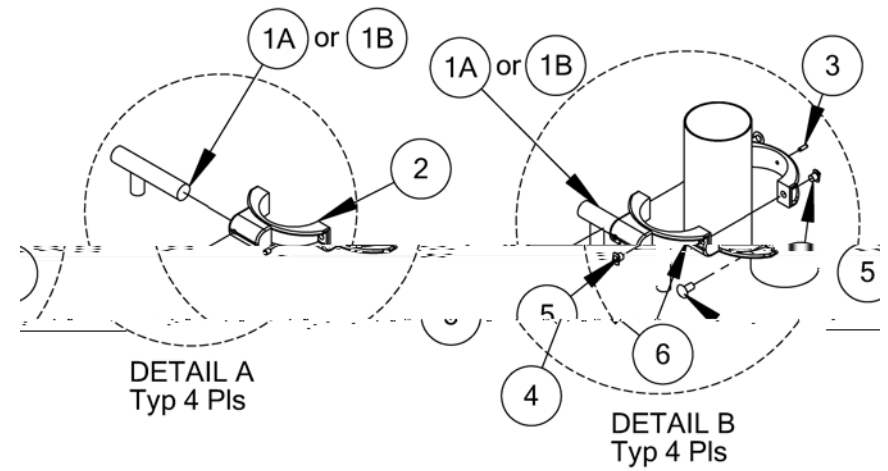
MAINTENANCE:

Touch up any marred paint surfaces.

Periodically check hardware for integrity and tightness.

Vertical Climber 902-125-3, -4, -5, -6 & 902-127

Item #	Part #	Part Description	Quantity
1A	902-125-3 902-125-4 902-125-5 902-125-6	Vertical Climber with barrier	1
1B	902-127	Vertical Climber for overheads	1
2	903-001	Pipe Clamp	4
3	196-550	1/4" x 1/4" roll pin	4
4	196-807	Socket Set Screw	4
5	236-601	3/8" T-Nut	8
6	126-706	3/8" x 1 3/4" Button head bolt	8



Vertical Climber Plan:

Vertical climbers are used to access a deck or an overhead ladder. Vertical Climbers accessing a 3' high deck have one rung, 4' deck has 2 rungs, 5' deck has 3 rungs, and 6' deck has 4 rungs. See the Top Down View for placement.

INSTRUCTIONS:

- Vertical climbers accessing a deck are installed on the 'non-deck' side of the posts. Vertical climbers accessing an overhead ladder are installed to the 'climber' side of the post. Each are installed using 4 pipe clamps. (See Detail A and B)
- Deck access climbers are installed with at least 10" from the bottom of the deck to the top horizontal rung of the ladder. (See Detail 1A)
- Vertical Ladders accessing overhead events are installed insuring that the distance between the bottom of the overhead connection pipes and the top of the Vertical Climber connection pipes is either less than 3.5" or greater than 9". This measurement is **CRITICAL** for the safety of the users. See Detail 1B)
- After positioning the climber plumb and level and fastening the clamps, make sure the setscrews in the clamps are fastened to the climber pipe.

SPECIFICATIONS:

Event: Vertical ladder with built in handholds are made from type #3 steel and connect to deck with 4 clamps. Rungs are 12" on center and are powdercoated.

Paint ss1.1(-1.149)2ost.aical ly applid onent cre dpowdercoate.
tHardwre VSailness tteel atmpr aresstanct

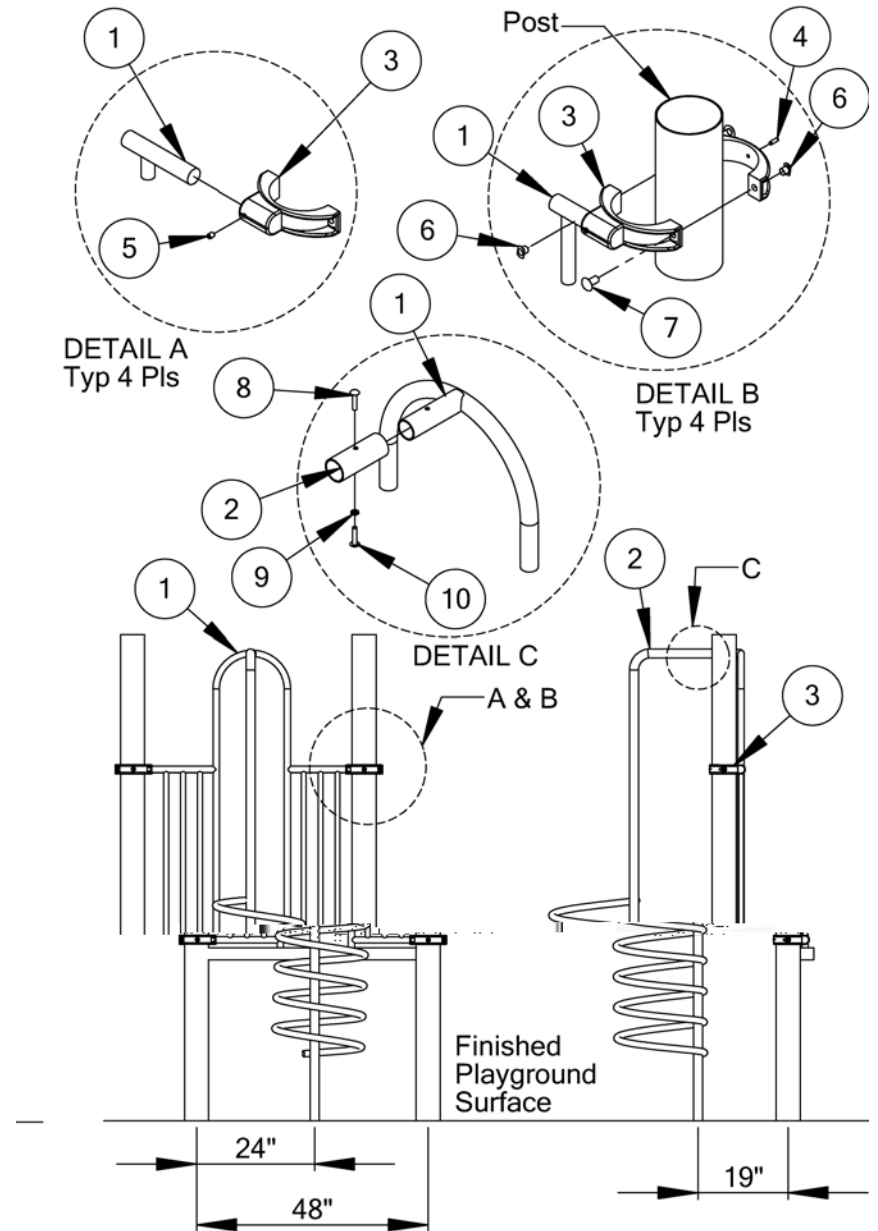
MAINTENANCE

tTouh aupandy pre dpoint ssurfceems.

Corkscrew Climber

902-133-3, -4, -5

Item #	Part #	Part Description	Quantity
1	903-137	Arch Wall	1
2	903-133-3 903-133-4 903-133-5	Corkscrew Climber 3' Corkscrew Climber 4' Corkscrew Climber 5'	1
3	903-001	Pipe Clamp	4
4	196-555	1/4" x 3/4" Roll Pin	4
5	196-807	3/8" x 3/8" Socket Set Screw	4
6	236-601	3/8" T Nut	8
7	126-706	3/8" x 1 3/4" Button head bolt	8
8	116-535	5/16" x 1 1/2" Button head bolt	1
9	326-501	5/16" Lock Washer	1
10	216-512	5/16" X 1" Button head nut	1



Corkscrew Climber Plan:

The Corkscrew Climber attaches to the deck from an arch wall.

INSTRUCTIONS:

- Install the arch wall on the “deck side” of the posts with pole attachment stub facing outward.
- Attach the Corkscrew Climber to the arch wall. (See detail C) Be sure to maintain the same width between the top and bottom of the arch entry opening.
- Make sure all gaps (between walls and posts and deck) are less than 3 1/2”.
- Install Corkscrew Climber 19” out from the deck.

SPECIFICATIONS:

Event: Corkscrew Climber is constructed of Type #4 steel welded to 24” diameter by 1 5/8 O.D. coil. Angle plate connects to deck. 1” outer diameter handholds are welded to support.

Paint shall be electrostatically applied oven cured powdercoat.

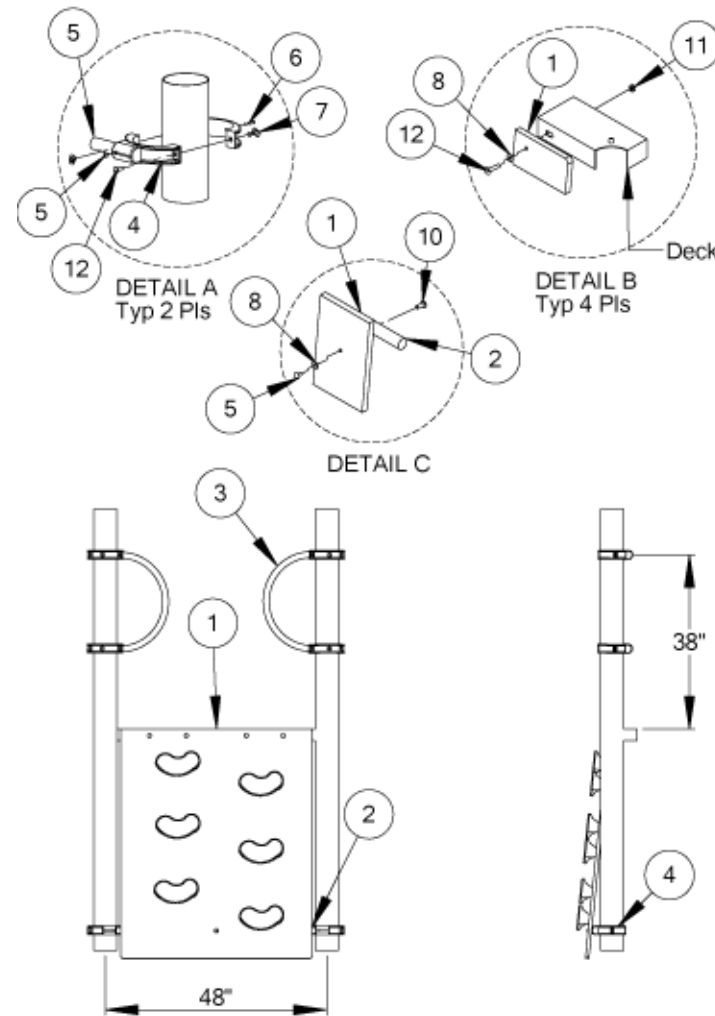
Hardware: Stainless steel tamper resistant

MAINTENANCE:

Touch up any marred paint surfaces.
Periodically check hardware for integrity and tightness.

Rock Wall 3', 4', & 5' 902-273-3,-4,-5

ITEM NO.	PART NUMBER	DESCRIPTION	QTY.
1	902-273-3, 902-273-4, 902-273-5	Rock Climbing Wall	1
2	903-103	48" Pipe	1
3	000-000	Hand Holds	2
4	903-001	Pipe Clamps	2
5	196-807	3/8" x 3/8" Set Socket Screw	4
6	196-550	1/4" x 1/4" Roll Pin	4
7	236-601	3/8" T-Nut	8
8	316-601	3/8" Flat Washer	13
9	116-538	5/16" x 1-3/4"	1
10	216-512	5/16" x 1" Buttonhead Nut	1
11	226-602	3/8" Nylon Lock Nut	4
12	126-706	3/8" X 1-3/4" Buttonhead Bolt	8



Rock Wall Plan:

The Rock Wall attaches to the side of a deck at the top and to 2 clamps and one pipe on the bottom.. See the Top Down View for placement.

INSTRUCTIONS:

- Begin by installing the rock wall to the side of the deck.
- Install the 2 pipe clamps and 1 48” pipe on the bottom.
- Attach the rock wall to the pipe.
- Finally attach the handholds.

SPECIFICATIONS:

Event: Rock wall is constructed of 3/4” polyethylene. Metal brackets are powdercoated.

Paint shall be electrostatically applied oven cured powdercoat.

Hardware: Stainless steel tamper resistant

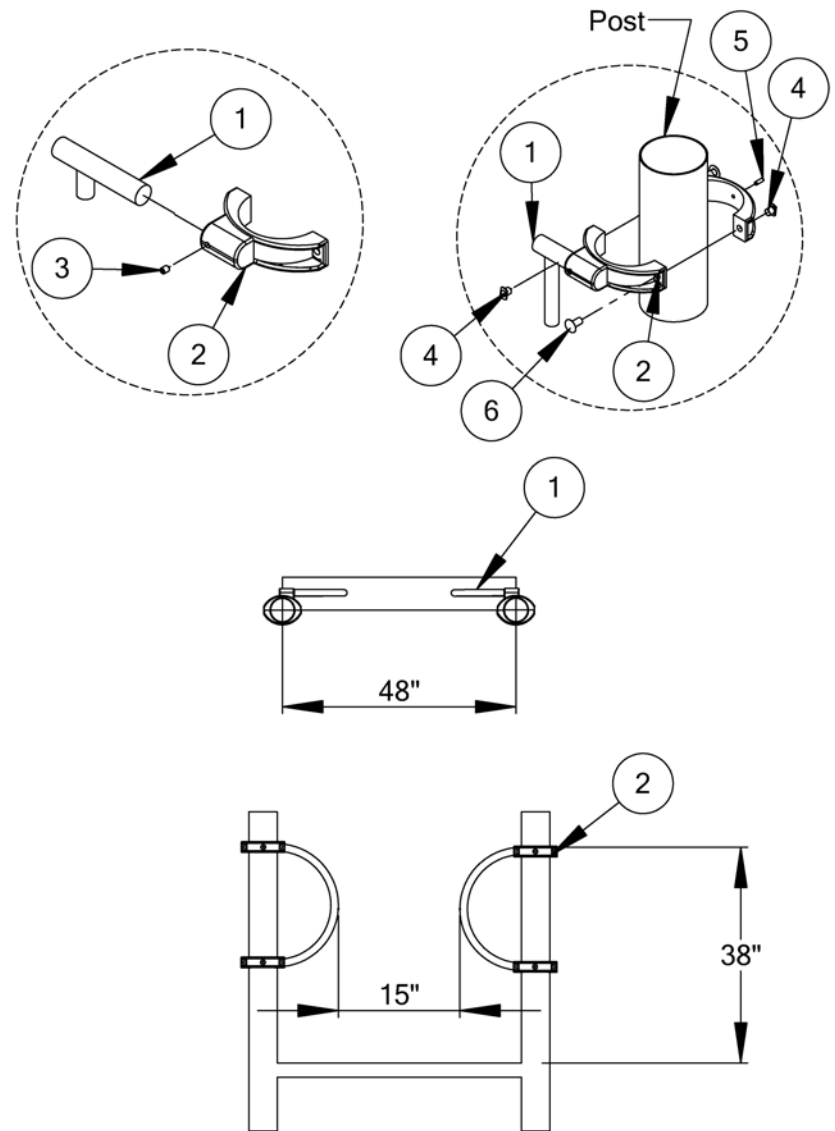
MAINTENANCE:

Touch up any marred paint surfaces.

Periodically check hardware for integrity and tightness.

Handholds 903-126 903-127

Item #	Part #	Part Description	Quantity
1	903-126 903-127	Handhold – Small Handhold - Large	2
2	903-001	Pipe Clamp	4
3	196-807	3/8" x 3/8" Socket Set Screw	4
4	236-601	3/8" T-Nut	8
5	196-550	1/4" x 1/4" Roll Pin	4
6	126-706	3/8" x 1 3/4" Button head bolt	8



Hand Hold Plan:

Handholds act as guards as well as hand grips for several play events. They are manufactured in two sizes. See the Top Down View for placement.

Touch up any marred paint surfaces.
Periodically check hardware for integrity and tightness.

INSTRUCTIONS:

- Install both handholds, one per post, facing toward each other approximately 38” from the surface of the deck.
- Install the top clamps first – level to one another.
- Slip the handhold into the top clamp and use it as a template to position the bottom clamp.
- Make sure the setscrews in the clamps are tight when finished.
- Handhold strength can be doubled by drilling through the clamp where the handhold pipe enters the clamp, and installing a roll pin.
- Install the handholds so that the opening to the deck is narrowed to 15”.

SPECIFICATIONS:

Event: Small Handhold is 38” type #2 steel bent to 8” radius.
Large Handhold is 52” type #2 steel bent to 12” radius.
Handholds are powdercoated.

Paint shall be electrostatically applied oven cured powdercoat.

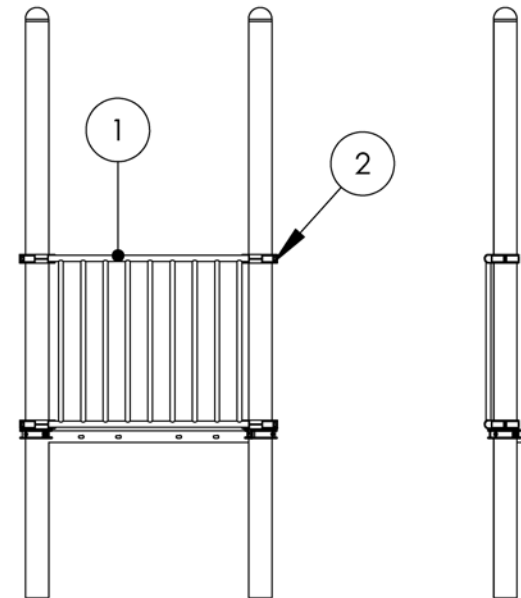
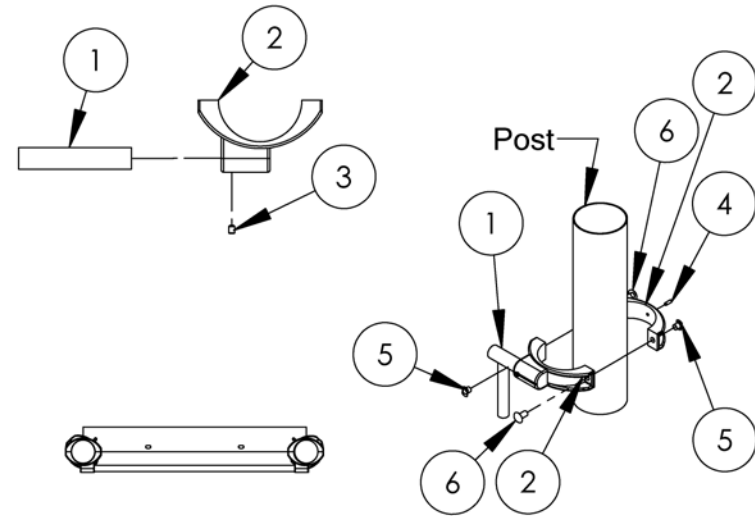
Hardware: Stainless steel tamper resistant

MAINTENANCE:

Guard Wall

902-135-W

Item #	Part #	Part Description	Quantity
1	913-117-W	Guard Wall /fitting	1
2	903-001	Clamps	4
3	196-807	3/8" x 3/8" Socket Set Screw	4
4	196-550	1/4" x 3/4" Roll Pin	4
5	236-601	3/8" T-Nut	8
6	126-706	3/8" x 1 3/4" Button Head Bolt	8



Guard Wall Plan:

The 10 Rung Guard Wall attaches above the deck to the “deck side” of the posts with 4 post clamps. There is a mounting plate for the Steering Wheel that will be attached later.

INSTRUCTIONS:

- Install the wall on the “deck side” of the posts.
- Install with the centered welded bracket toward the top
- Install with no more than 3 1/2” between the bottom of the wall and the top of the deck
- It is helpful to install with a couple of equal size shims under the wall to help hold the wall in position
- Review the clamp instructions for sideways attachment of clamps.

SPECIFICATIONS:

Event: the 10 Rung Guard Wall is 48” wide and acts as a barrier to prevent falls from decks. Horizontal pipes that fit into post clamps are 1 3/8” OD. Vertical pipes are 1” OD.

Paint shall be electrostatically applied oven cured powdercoat.

Hardware: Stainless steel tamper resistant

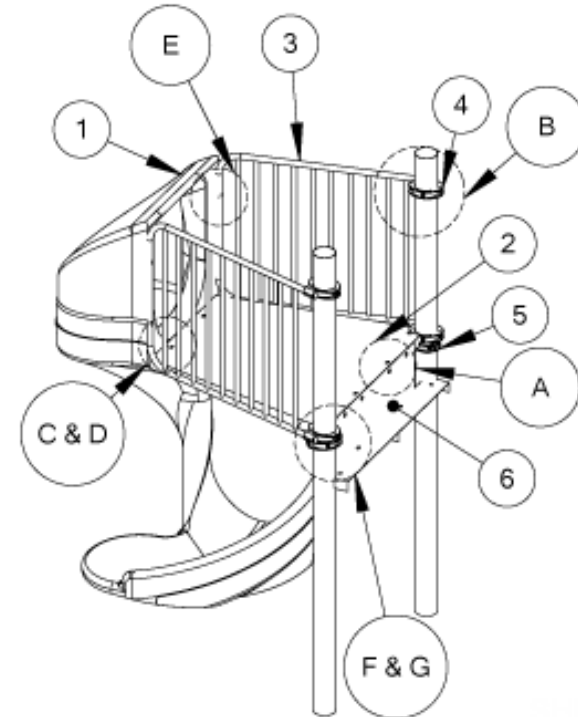
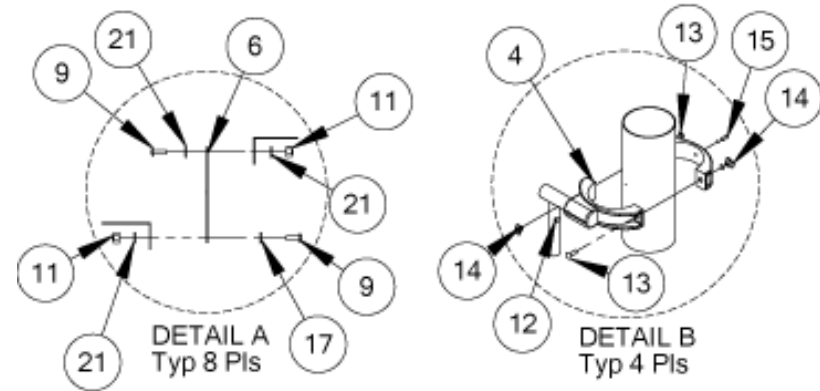
MAINTENANCE:

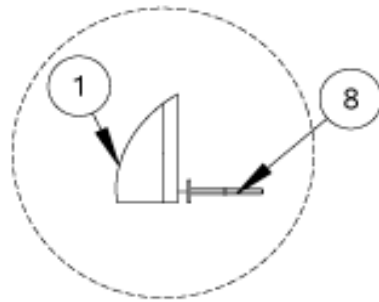
Touch up any marred paint surfaces.
Periodically check hardware for integrity and tightness.

5' Spiral Slide

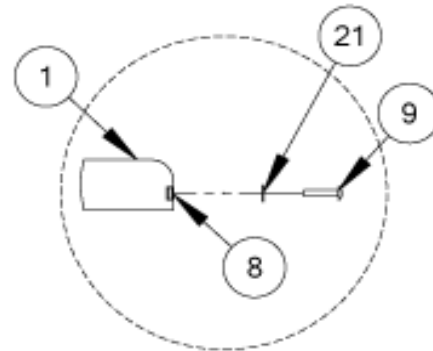
902-245

ITEM NO.	PART NUMBER	DESCRIPTION	QTY.
1	435-623	6' Spiral Slide	1
2	435-634	Transition Deck	1
3	902-208	Wall for Spiral Slide	2
4	903-001	Pipe Clamp	4
5	903-002	Deck Clamp	2
6	905-247	Sm Kick Plate	1
7	126-705	3/8" x 2" Buttonhead Bolt	4
8	516-200	3/8" Toggler	12
9	126-701	3/8" x 1-1/2" Buttonhead Bolt	8
10	126-704	3/8" x 3" Buttonhead Bolt	4
11	226-601	3/8" Lock Nut	12
12	196-807	3/8" x 3/8" Socket Set Screw	4
13	126-706	3/8" x 1-3/4" Buttonhead Bolt	8
14	236-601	3/8" T Nut	8
15	196-555	1/4" x 3/4" Roll Pin	6
16	196-550	1/4" x 1-3/4" Roll Pin	2
17	316-801	1/2" Flat Washer	4
18	226-801	1/2" Lock Nut	2
19	126-703	3/8" x 1" Buttonhead Bolt	2
20	116-600	1/2" x 2-1/2" Buttonhead Bolt	2
21	316-601	3/8" Flat Washer	20

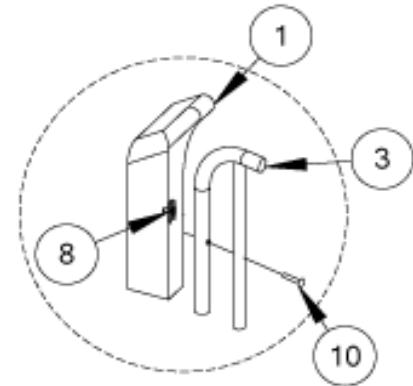




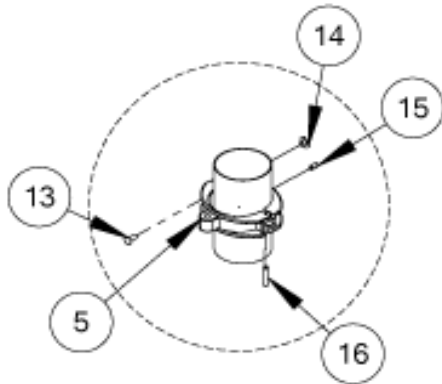
DETAIL C
Typ 4 Pls



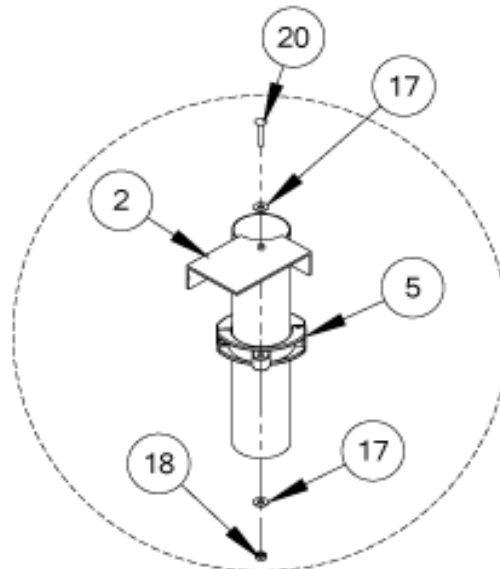
DETAIL D
Typ 4 Pls



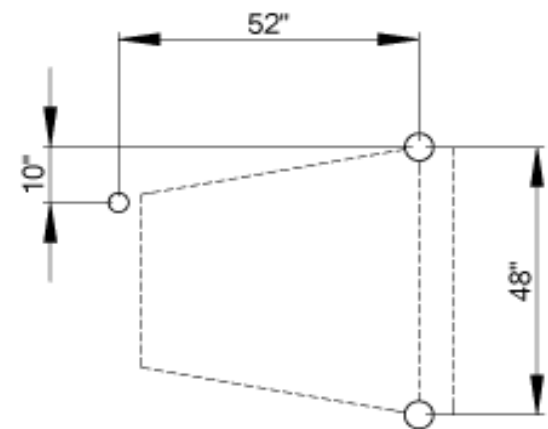
DETAIL E
Typ 4 Pls



DETAIL F
Typ 2 Pls



DETAIL G
Typ 2 Pls



FOOTING DIAGRAM

5' Spiral Slide Plan:

The spiral slide attaches to the main structure deck via a transition platform and 2 guard rails.

INSTRUCTIONS:

- Begin by marking the four hole locations which need to be drilled in the face of the slide, these are used for attaching the slide to the transition platform. The narrow end of the transition platform should be facing the slide entry and then the top of the platform will raise up to the small lip located just at the base of the slide entry. Center the platform on the slide and mark the four holes. These holes need to be drilled with a 3/4" drill bit and then the 3/8" toggler bolts will install in them.
 - Mark hole location based on footing diagram and dig a hole 18" in diameter and at least 24" deep (the deeper the better, slide can be blocked to the correct height).
 - Attach the transition deck to the main deck, brace up on outer end on level and tighten hardware between deck and transition platform.
 - Next make sure the center support post is locked as far up in the slide as possible and with the help of at least two other people lower slide into the hole.
 - Now level the slide front to back and side to side, sometimes this can be difficult to do because of the variances in the slides so also make sure it "looks" level between the post looking at it from the front and also from the sides. The only true are to level is the face of the entry area.
- Once level you can either concrete and come back the next day or if it seems stable you can begin installing the guard rails. This will be determined by how much blocking was needed to raise the slide up.
 - Begin installing the guard walls by attaching the pipe clamps to the 5" structure posts so that the rails attach to the inside. Now place the rails in the clamps and be sure to maintain no more than 3 1/2" gap between the bottom of the rails and the top of the transition platform.
 - Rotate the rails so that they are running in line with the deck and the end holes on the rails are about 1 1/2" from the outer edge of the slide. Mark the four holes then rotate the rails out from the slide and drill them with the 3/4" drill bit and insert the 3/8" togglers.
 - Rotate rails back and install bolts through the rails and into the slide and tighten all hardware.

SPECIFICATIONS:

Event: Slide is rotationally molded and deck is plastisol coated.

Paint shall be electrostatically applied oven cured powdercoat.

Hardware: Stainless steel tamper resistant

MAINTENANCE:

Touch up any marred paint surfaces.

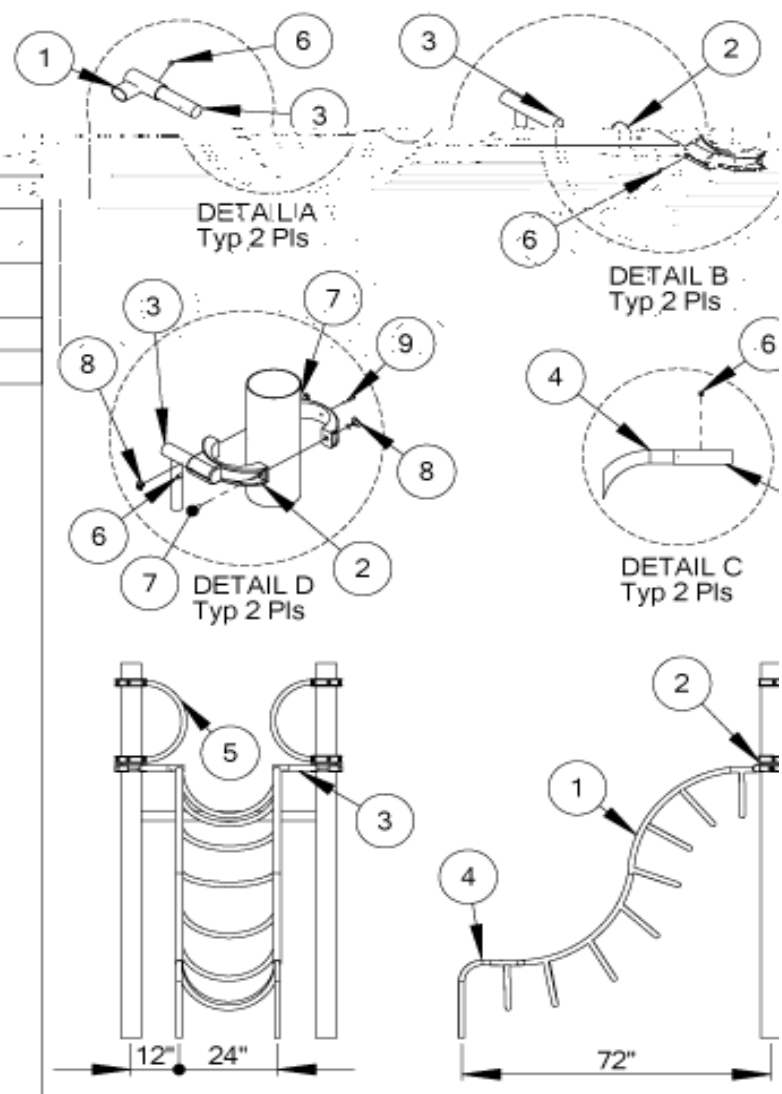
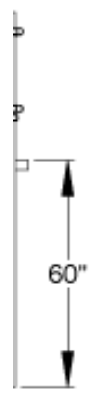
Periodically check hardware for integrity and tightness.

Half Circle Climber

902-118

ITEM NO.	PART NUMBER	DESCRIPTION	QTY.
1	903-118	Half Circle Climber	1
2	903-001	Pipe Clamp	6
3	903-128	1 1/2" Stud	2
4	904-121	Leg Half Circle Climber	2
5	903-126	Hand Hold Small	2
6	196-807	3/8" x 3/8" Socket Set Screw	6
7	126-706	3/8" x 1-3/4" Buttonhead Bolt	12
8	236-601	3/8" T Nut	12
9	196-555	1/4" x 3/4" Roll Pin	6

1



Half Circle Climber Plan:

The Half Circle Climber attaches just above a 5' high deck with 2 pipe clamps. Two separate handholds are included which are installed with 4 pipe clamps. See the Top Down View for placement.

INSTRUCTIONS:

- Dig two 12" diameter holes 24" deep per dimensions shown on previous page.
- Install the two 13" stubs into the two sleeves, which are welded to the half circle climber. Slide stubs into sleeves until the cap on the stub is flush to the inside of the climber and tighten set screws. See Detail A.
- Install the two legs on the climber as shown in Detail C and tighten set screws.
- Attach two pipe clamps to the posts as shown in Detail D. Do not tighten these clamps at this time.
- Install climber into the clamps and position so that the top of the top rung is even with the top of the deck and tighten clamps.
- Next install handholds.

SPECIFICATIONS:

Event: Welded galvanized coated steel.

Paint shall be electrostatically applied oven cured powdercoat.

Hardware: Stainless steel tamper resistant

MAINTENANCE:

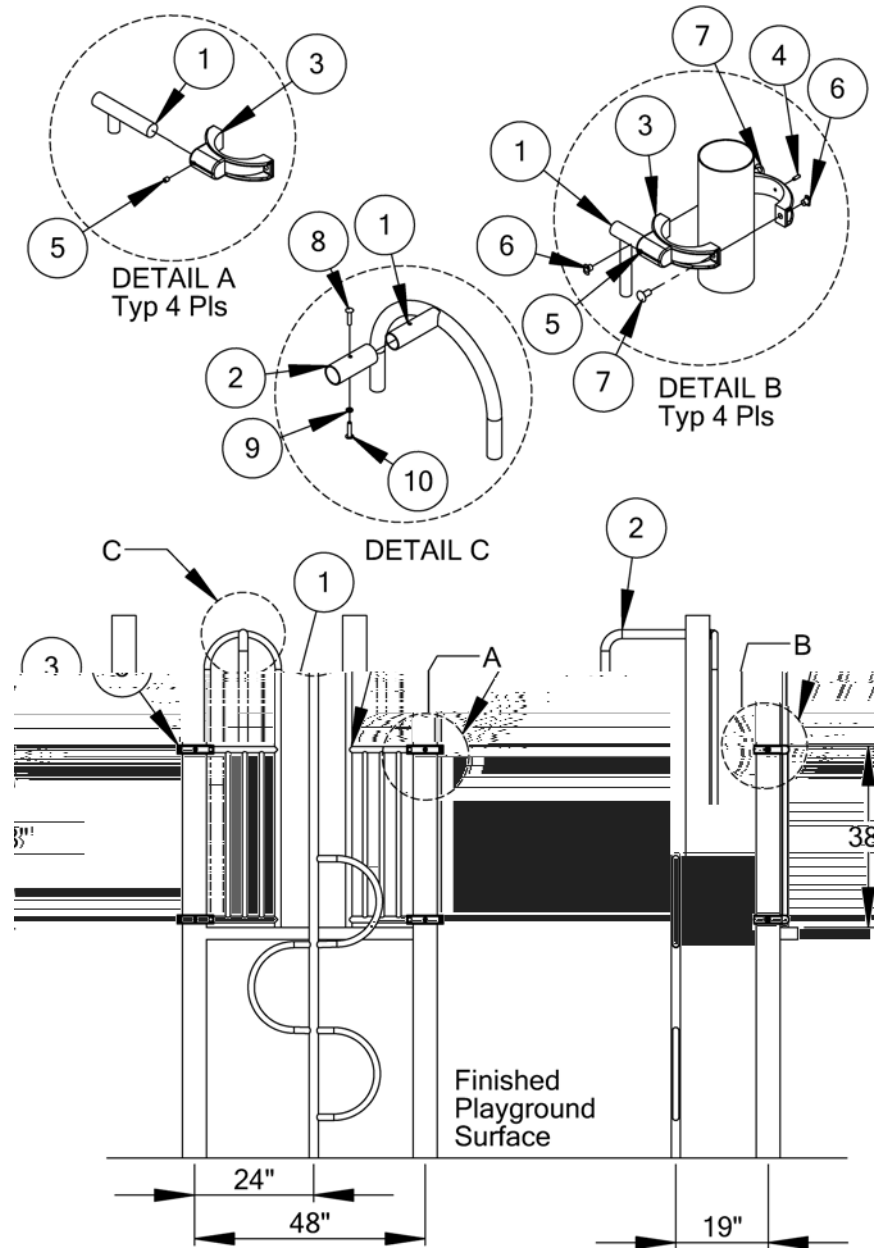
Touch up any marred paint surfaces.

Periodically check hardware for integrity and tightness.

“U” Climber

902-129-3, -4, -5, -6

Item #	Part #	Part Description	Quantity
1	903-137	Arch Wall	1
2	903-119-3	U Climber 3' deck	1
	903-119-4	U Climber 4' deck	
	903-119-5	U Climber 5' deck	
	903-119-6	U Climber 6' deck	
3	903-001	Pipe Clamp	4
4	196-555	1/4" x 3/4" Roll Pin	4
5	196-807	3/8" x 3/8" Socket Set Screw	4
6	236-601	3/8" T-Nut	8
7	126-706	3/8" x 1 3/4" Button head bolt	8
8	116-535	5/16" x 1 1/2" Button head bolt	1
9	326-501	5/16" Lock Washer	1
10	216-512	5/16" x 1" Button head nut	1



“U” Climber Plan:

The U Climber attaches to the deck from an arch wall.

INSTRUCTIONS:

- Install the arch wall on the “deck side” of the posts with pole attachment stub facing outward.
- Attach the U Climber to the arch wall. (See detail C)
Be sure to maintain the same width between the top and bottom of the arch entry opening.
- Make sure all gaps (between walls and posts and deck) are less than 3 1/2”.
- Install U Climber 19” out from the deck.

SPECIFICATIONS:

Event: U Climber is constructed of 16” diameter half circles welded to vertical 1 7/8” “L” pipe, all are 1 3/8” outer diameter. Metal brackets are powdercoated.

Paint shall be electrostatically applied oven cured powdercoat.

Hardware: Stainless steel tamper resistant

MAINTENANCE:

Touch up any marred paint surfaces.

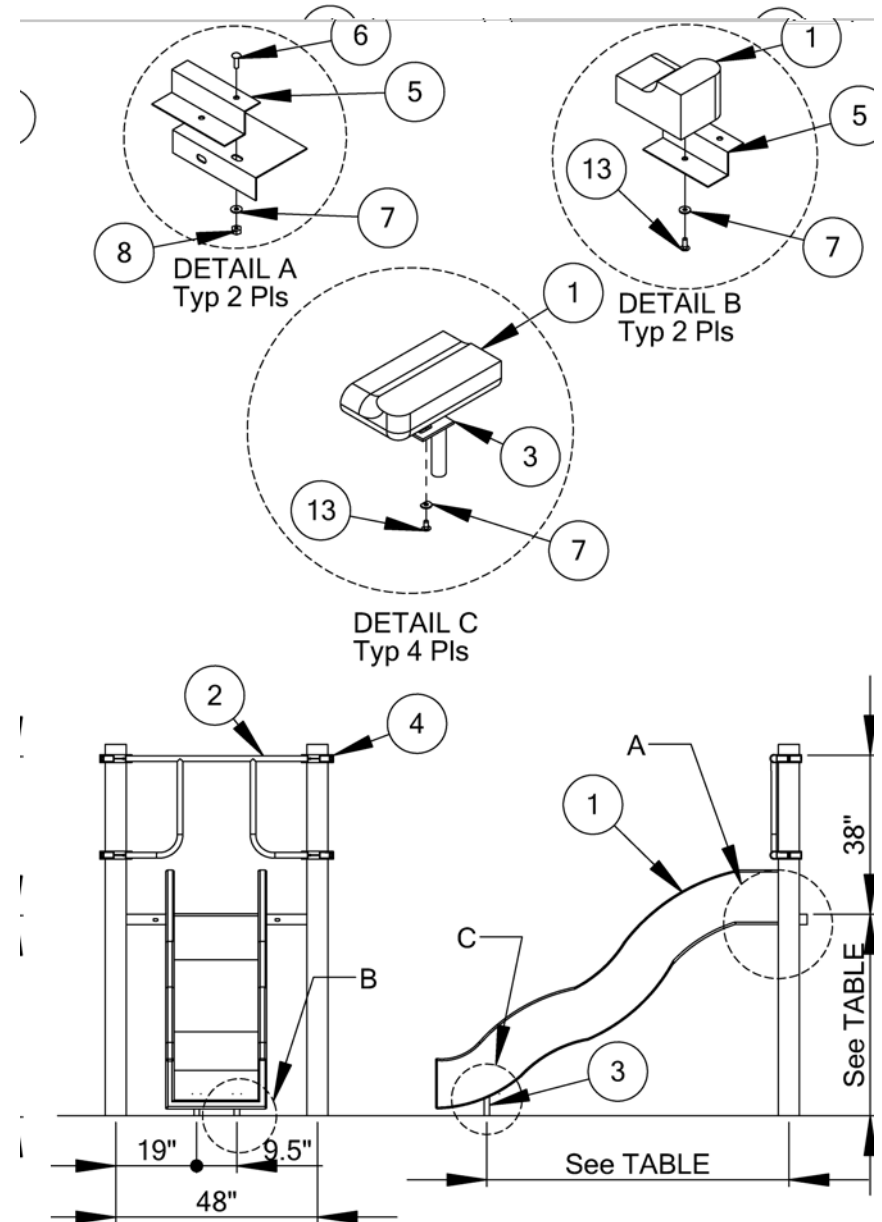
Periodically check hardware for integrity and tightness.

Bump Wave Slide 902-284, 5, 6

Item #	Part #	Part Description	Quantity
1	435-609	Bump Wave Slide 4'	1
	435-607	Bump Wave Slide 5'	
	435-608	Bump Wave Slide 6'	
2	913-115	Slide Guard	1
3	903-214	Slide T Leg	2
4	903-001	Pipe Clamp	4
5	903-141	Z Plate (installed on slide)	1
6	126-701	3/8" X 1 1/4" Button head bolt	2
7	316-601	3/8" Flat Washer	11
8	226-602	3/8" Lock Nut	2
9	196-555	1/4" x 3/4" Roll Pin	4
10	196-807	3/8" x 3/8" Socket Set Screw	4
11	126-706	3/8" x 1 3/4" Button head bolt	8
12	236-601	3/8" T-Nut	8
13	126-702	3/8" x 3/4" Button head bolt	7

TABLE A:

Deck Height	Post/Footing Distance
48"	72"
60"	95.5"
72"	113"



Bump Wave Slide Plan:

The Bump Wave Slide attaches to the deck by bolting through the Z plate and the deck sidewall. See the Top Down View for placement.

INSTRUCTIONS:

- Underneath the ‘foot’ of the slide, there are two sets of threaded inserts into which the slide legs attach.
- Using your slide as a template, mark the ground holes for the slide legs making sure that the holes in the Z plate are aligned with the holes in the deck and the A plate is at a 90 degree angle to the deck. Prop the ‘foot’ of the slide up and mark hole locations.
- Dig one hole for both legs 12” wide by 20” long and 24” deep.
- Connect the slide legs to the threaded inserts with four 3/4” x 3/8” button head bolts.
- Place the bottom end of the slide with installed legs and re-bars through the hole in the bottom of the slide legs into the ground.
- Carefully tip the top of the slide back onto the deck.
- Make sure you ream the vinyl coated holes out (15” apart) with a 1/2” metal bit.
- Connect the Z plate to the deck with two 3/8” x 1 1/4” button head bolts, no washer on top, and 3/8” washer and lock nut on the bottom. (Normally, this is already assembled)
- Place a level over the bottom to be sure it is on bubble, block and level.

- Install the slide guard and four clamps over the deck entry on the “deck side” so that the top of the guard is approximately 38” above the deck.

SPECIFICATIONS:

Event: Bump Wave Slide is 3/8” wall, rotationally molded, 24” wide slide bed with 6” high side rails. Metal brackets are powdercoated.

Paint shall be electrostatically applied oven cured powdercoat.

Hardware: Stainless steel tamper resistant

MAINTENANCE:

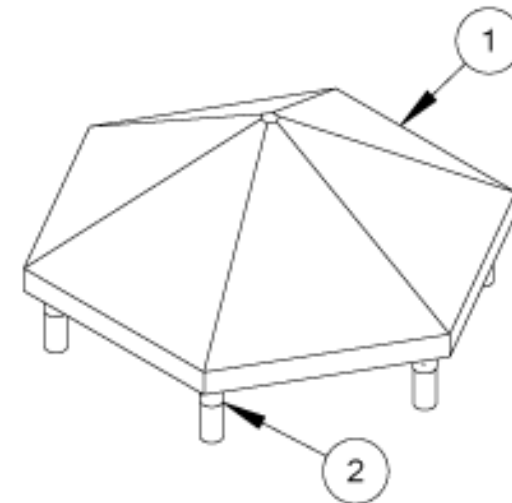
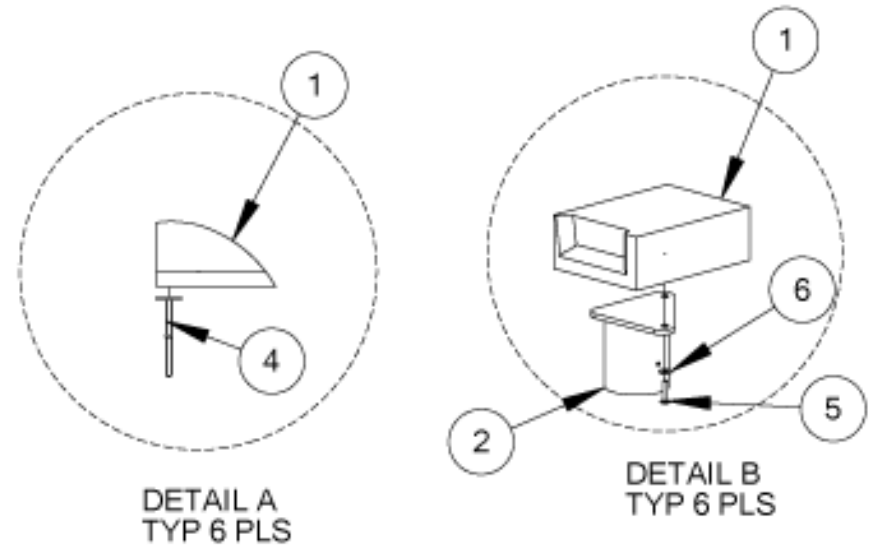
Touch up any marred paint surfaces.

Periodically check hardware for integrity and tightness.

Hex Roof

902-277

ITEM NO.	PART NUMBER	DESCRIPTION	QTY.
1	435-636	Hex Roof	1
2	905-435	Roof Bracket	6
3	196-807	3/8" x 3/8" Set Socket Screw	12
4	516-200	3/8" Toogler	12
5	126-705	3/8" x 2" Buttonhead Bolt	12
6	316-601	3/8" Flat Washer	12



Hex Roof Plan:

Roofs are attached to brackets that sleeve over six upright posts. See the Top Down View for placement.

INSTRUCTIONS:

- Attach roof to posts by placing the roof brackets over each post. Be sure the post is completely inserted into the bracket (See Detail C).
- Position the roof so it rests evenly on all sides on the brackets.
- Mark the drill holes in the center of each anchoring slot.
- Shift the roof over and drill 1/2" holes where marked.
- Slide the roof back being careful to position over the drilled holes. Insert a zip toggle into each hole – be careful – they can be fragile at this point, tighten the zip and break off the remaining part of the zip flush with the closure (See Detail A). Fasten using 1/2" washers and 3/8" x 2" button head bolts. (See Detail B)
- Tighten set screws through the bracket side into the post.

SPECIFICATIONS:

Event: Hex Roof is composed of rotationally molded high density plastic with U.V. stabilizers to prevent fading. Metal brackets are powdercoated.

Paint shall be electrostatically applied oven cured powdercoat.

Hardware: Stainless steel tamper resistant

MAINTENANCE:

Touch up any marred paint surfaces.
Periodically check hardware for integrity and tightness.

Label Installation

Apply to clean, dry, smooth surface. Carefully peel label from paper backing and apply with no wrinkles or tears. Install them where they will not be disturbed during play. Inspect labels regularly. If torn, disfigured, damaged or faded, contact your SportsPlay distributor for replacement labels.

Top of Surfacing Label

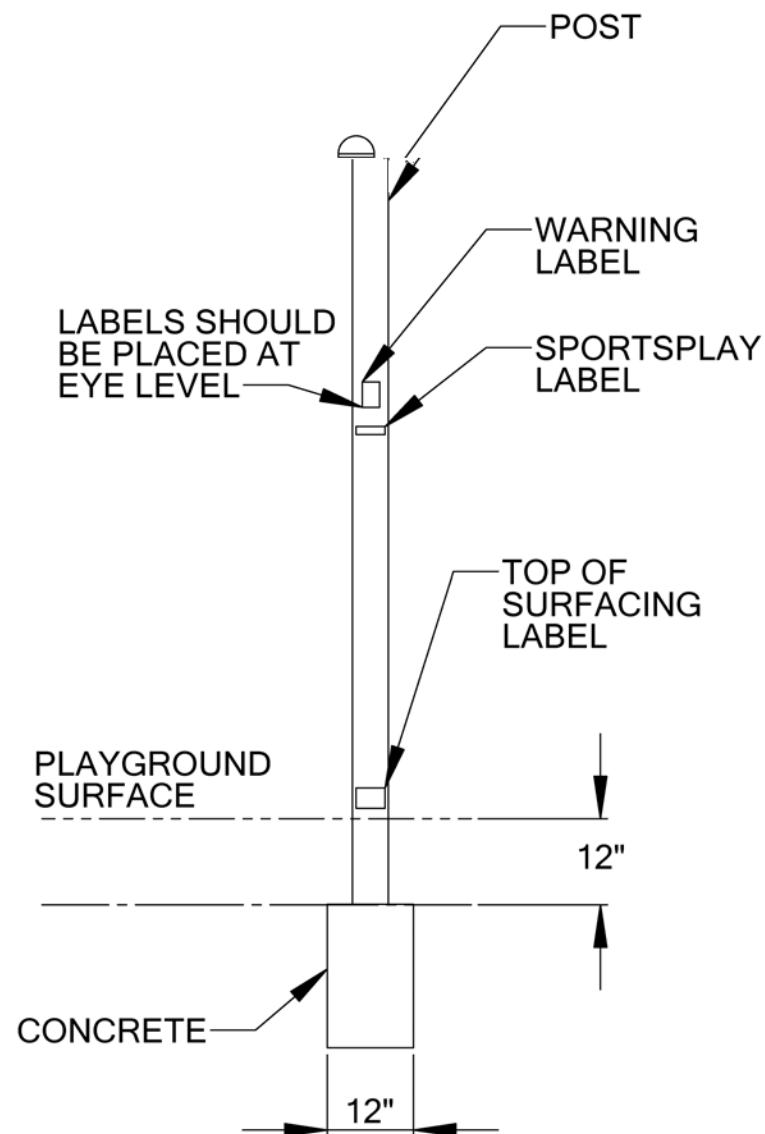
Install one to each upright post at the level you have determined will be your "Top of Surfacing" based on fall height and resilient surfacing used.

Warning Label

Install two labels at eye level to different upright posts at locations most likely to be used to access the play unit.

Manufacturer Label

Install labels at eye level to posts near the Warning Labels.



Trouble Shooting

Problem: Incorrect sized hole or no hole where there is supposed to be one.

Solution: Use a 1/4" leader drill bit to drill a hole at the desired location. Next, drill larger size hole with correct bit. Usually, when there is a hole missing, it is an oversight, but if it appears that there are several missing holes, re-check your work.

Problem: Setscrew missing on clamp or setscrew hole is cross-threaded.

Solution: Drill a new hole in the clamp at the correct location with a 5/16" bit, then tap with a 3/8"/16 tap.

Problem: A typical 48" long portion of a pipe will not fit correctly, causing the posts to be off level.

Solution: First, check to see that the pre-installed setscrews are not installed too far into the clamp making it impossible for the pipe to enter the clamp. Also, make sure that the clamp is not crooked, preventing the pipe ends to enter the clamp all the way. If this is the case, install clamp sideways onto pipe, then attach to post. The pipes enter the clamp a distance of 1 1/4" deep. If the pipe does not enter all the way, then use a rubber hammer to pound a component to the left or right to ensure the pipe ends have dead-ended into clamps. If the problem remains, contact your distributor.

Problem: A clamp has already been drilled and has had a roll pin installed and you have to move it.

Solution: Using a punch, simply knock the roll pin through the clamp and post then move the clamp.

Problem: There is interference between a vertical portion of one component and another vertical portion of another component going into the opposite direction. (For instance, in the case of a tunnel or bubble window that has a vertical spacer bar).

Solution: Loosen the spacer bar by loosening the setscrew on it, move it over to make room.

Problem: Your posts are out of line.

Solution: Unblock your new posts. Check to see if when the deck was installed the posts were not on the center to the corners of the deck. Loosen the hardware and re-line the posts this way. In most cases, you have to back up, loosen hardware, and physically move each post or component that is connected similarly with 48" end pipes. There is a chance that the component was installed so that it was out of center of the 48" posts, which connect it. Loosen the setscrews on these parts; move them back into line, re-block posts. You must work hard to insure that posts are in line and on bubble.

Problem: You try to level a part or post and it won't budge, it swings or else bounces back.

Solution: Your hardware or blocks are too tight. Loosen the assembly, level and then re-block and re-tighten.

Problem: Bolt size in parts box does not match the instructions for the bolt.

Solution: If we made an error in sending the wrong hardware, use a correct size from the hardware store and we'll reimburse you.

Safety Checklist

Carefully go over each post, deck and component with bare hands very carefully to detect any areas that may be sharp. During installation and handling, there may be areas that were hammered; causing rough areas that may be sharp. Use the following list to check for problem areas:

- Scrapes in metal pieces. Use steel wool, files or sandpaper to smooth.
- Spatter or burrs at all welded locations. Look closely and smooth.
- Scratches on the plastic parts. Look closely and smooth with steel wool.
- Edges and mold lines on plastic and aluminum parts should be smoothed with steel wool or files.
- Slide connection joints, smooth and fill if necessary with outdoor clear caulk sealant. This applies to any small opening that might be a “catch” or entanglement point.
- Sleeve ends, sometimes rough handling will cause rough edges. Sand down rough areas if they exist. Check that screws are seated.
- Vinyl coated parts, check all areas to de-burr.
- Roll pins; make sure they are flush and to not stick out.
- Clamps, when aluminum is hammered, it can cause a rough area. De-burr if necessary.
- Bolt thread protrusions, two threads are maximum protrusion allowed. If more than two threads are visible, cut off and file smooth.
- “T” nuts, should not stick out. Loosen and retighten.
- Black top end caps, smooth down rough areas as necessary.
- If there are any nail or screw heads which are improperly installed (bent or marred) remove and replace.
- Angle irons, check all corners for rough areas – sand if necessary.
- Set Screw, all setscrews should be flush with metal surfaces. Check all and tighten.
- Exposed concrete – all concrete should be poured below grade. Backfill all of the footings with dirt.
- Never ASSUME that hardware was tightened. Check everything.
- Touch up painted areas as needed.

Photo Appendix

Explosion drawings are included throughout the instructions. Photographs have been included for those who prefer them.

1. Mark post hole positions
2. Install post
3. Install deck
4. Install deck clamp
5. Install pipe clamp
6. Install panel (slide guard/arch wall/etc.) to pipe clamp
7. Leveling Suggestion
8. Leveling Suggestion

1



3



2



4



5



7



6



8



Maintenance Checklist

LOCATION _____ INSPECTOR _____

DATE _____

INSTRUCTIONS: All playground components are listed below. Check monthly. Train personnel (through study of CPSC Guidelines and ASTM standards) to be alert to playground hazards and report them promptly. Avoid use of hazardous equipment until repaired. Check in equipment column means satisfactory. Letter (R) means needs repair and could be hazardous. Copy this page and explain "R" ratings on reverse side.

Equipment	Decks	Entry Points	Slides	Plastic Panels	Metal Climbers	Roofs	Kickplates	Deck clamps	Post clamps				
Resilient Surfacing Depth													
Broken glass, trash, foreign objects, etc.													
Exposed or loose concrete footings, other trip hazards													
Missing or broken parts													
Sharp or jagged edges													
Protrusions													
Entanglement, such as open S- hooks													
Rust, rot, cracks, splinters													
S- hooks, hangers, chain. Replace when 25% worn													
Loose or missing hardware													
Drainage, particularly in heavy use areas													
Adequate use zone													
Other (specify)													
Labels legible													