



INSTALLATION INSTRUCTIONS

**MODEL ALICIA
3.5" WITH BRACKET (NO CLAMP)
STANDARD LAYOUT**

Please read the entire manual before beginning installation.



TAB SECTION INDEX

1. 3D AND 2D DRAWINGS
2. INSTALLATION GUIDE
3. INSTALLATION STEPS
4. COMPONENT INSTALLATION
5. APPENDIX
6. ORIGINAL COMPONENT MAINTENANCE FORMS
7. COMPLETED COMPONENT MAINTENANCE FORMS



Table of Contents

COVER PAGE 1

Table of Contents 3

3D DRAWING 4

TOP DOWN VIEW 5

FOOTING VIEW 6

POST ID VIEW 7

Important 8
 Before You Begin..... 8

Safety Surfacing 10

Tools and Materials..... 11

BEFORE BEGINNING 12
 SITE REQUIREMENTS..... 12
 MAINTENANCE:..... 12
 PLAY AREA: 12

Installation Punch List 14
 Footing Layout Example 14
 Step 1: Layout..... 15
 Step 2: Holes 15
 Step 3: Deck, Post & Component Installation 16
 Step 4: Concrete..... 17
 Step 5: Last Step..... 17
 Four Hole Bracket & Panel Bracket Installation 18
 Other Installation Tips..... 19

HARDWARE DRAWINGS

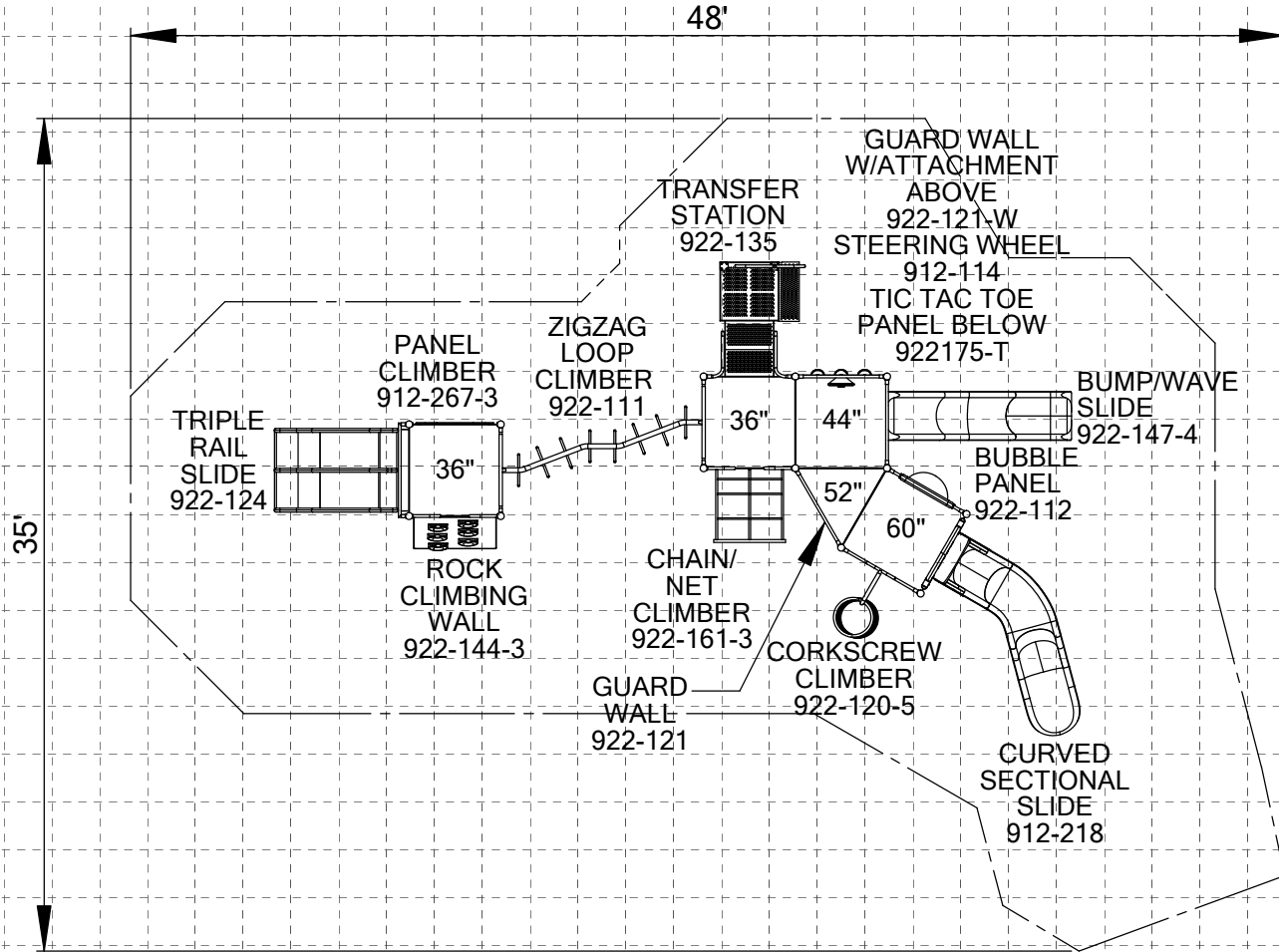
COMPONENT INSTALLATION INSTRUCTION SETS

APPENDIX

FINAL INSTALLATION STEPS

MAINTENANCE AND INSPECTION



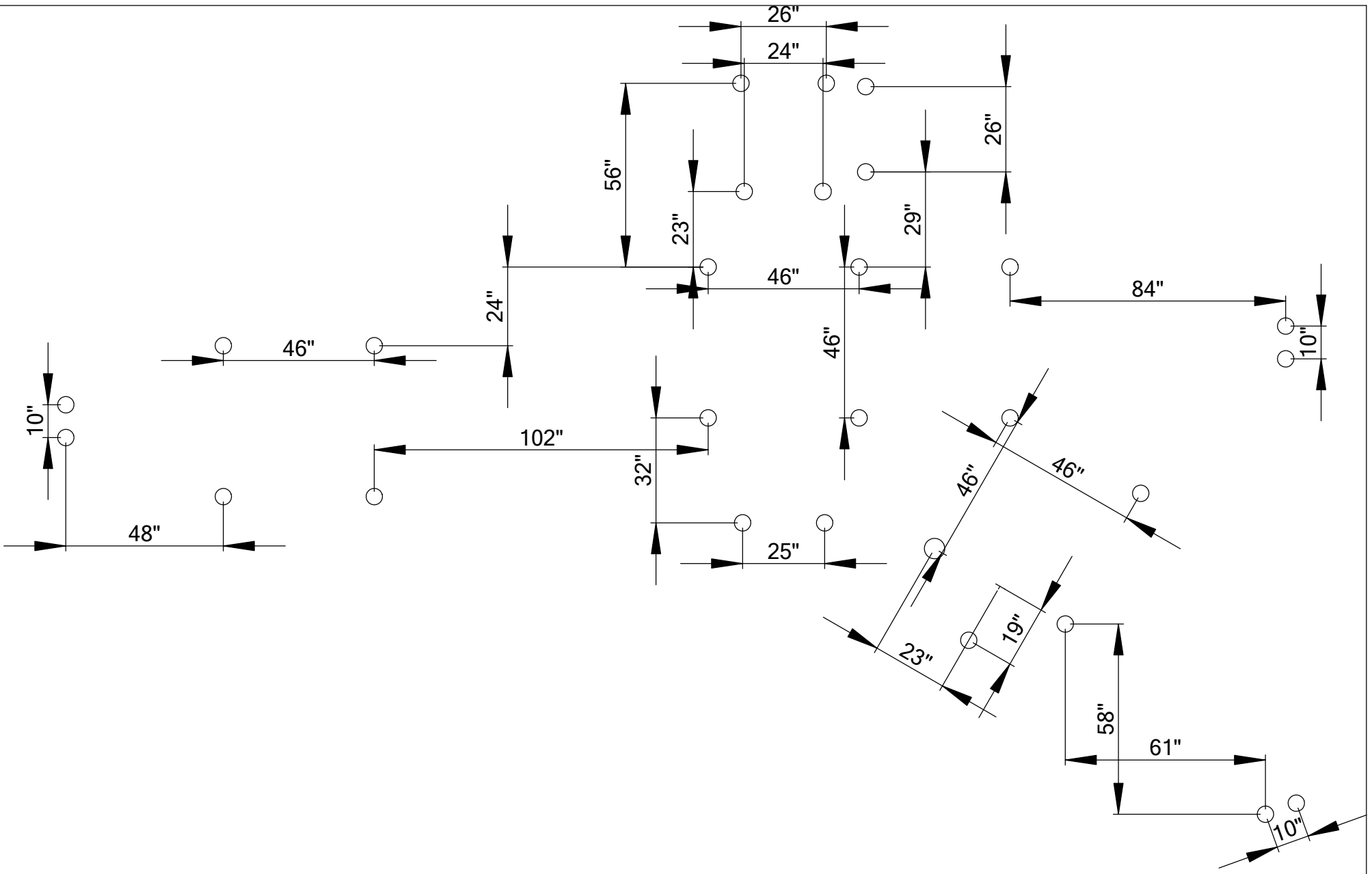


SportsPlay
 5642 Natural Bridge
 800-727-8180
 Fax: 314-389-9034
 www.sportsplayinc.com

Size: 23' X 36'
 Use Zone: 35' X 48'
 Age Group: 5-12

Drawn By:	Date
E. Barron	00-00-14
CPSC: Compliant ASTM: Compliant	

Project: Alicia
Drawing Number: #911-232B
Distributor: SportsPlay Inc
Scale: 1:96
Sheet 1 of 1



SportsPlay

5642 Natural Bridge
 800-727-8180
 Fax: 314-389-9034
 www.sportsplayinc.com

Size: 23' X 36'
 Use Zone: 35' X 48'
 Age Group: 5-12

Drawn By:

E. Barron

Date

00-00-14

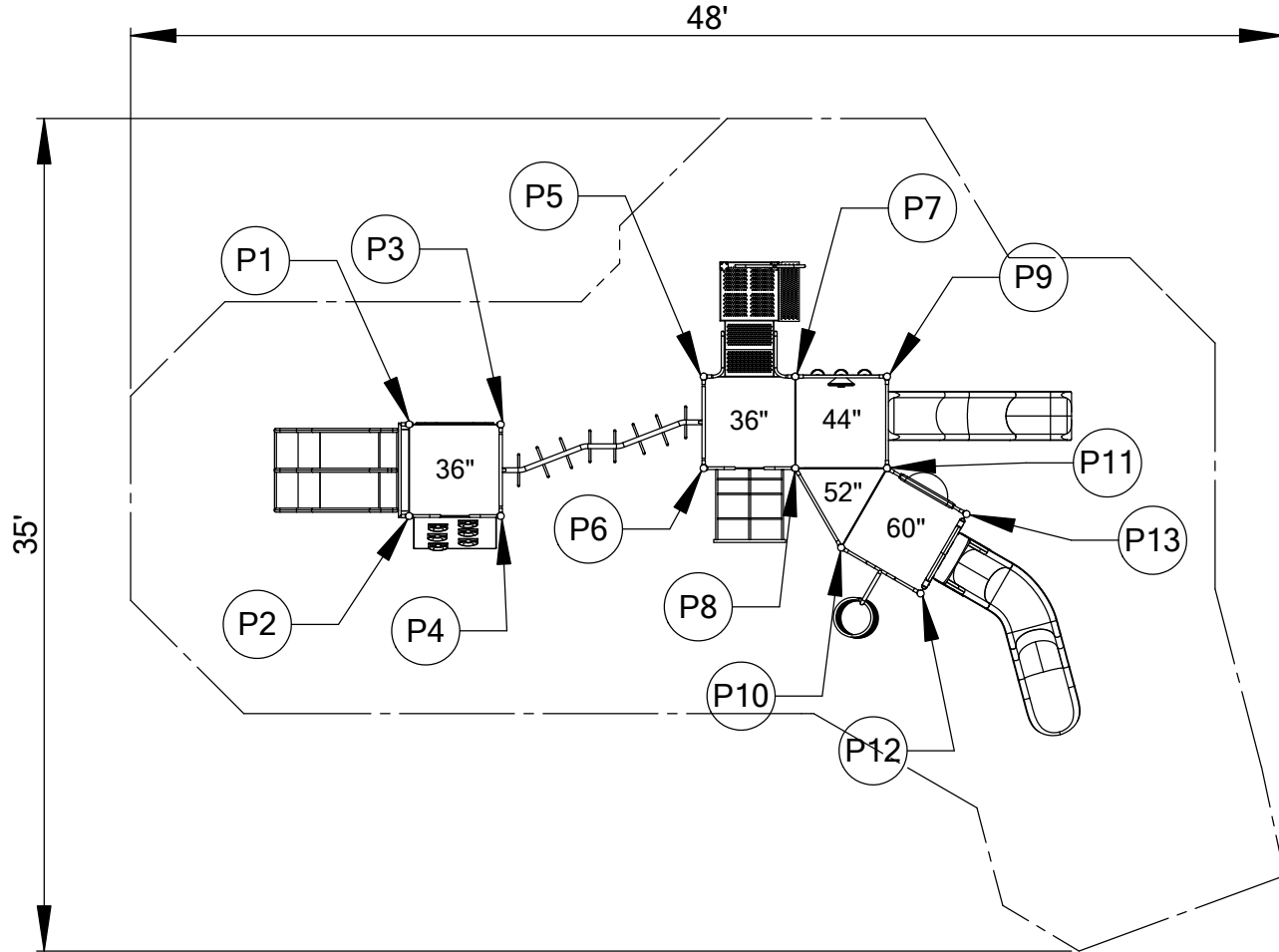
CPSC: Compliant
 ASTM: Compliant

Project: Alicia

Drawing Number: #911-232B
 Distributor: SportsPlay Inc

Scale: 1:40

Sheet 1 of 1



SportsPlay

5642 Natural Bridge
 800-727-8180
 Fax: 314-389-9034
 www.sportsplayinc.com

Size: 23' X 36'
 Use Zone: 35' X 48'
 Age Group: 5-12

Drawn By:

E. Barron

Date

00-00-14

CPSC: Compliant
 ASTM: Compliant

Project: Alicia

Drawing Number: #911-232B
 Distributor: SportsPlay Inc

Scale: 1:96

Sheet 1 of 1



MEGA Series Installation Guide

Important

Please read completely before beginning installation.

This equipment has been designed for safety as well as challenge and fun. This equipment has been designed to reduce injuries and therefore must be installed “Step by Step” per our Instructions.

The U.S. Consumer Product Safety Commission (CPSC) published a report stating 79% of all playground injuries treated in U.S. Emergency Rooms was the result of a fall. It is critical that you refer to the Protective Surfacing section of these instructions, located on the next page prior to installing your playground. As the owner you are responsible for the safe installation of not only the play equipment, but also the safety of the site.

Before You Begin

- Identify all parts by comparing them to the part list and component instruction pages.
- Equipment should be inventoried and installed within a few days of receipt. The packing materials are meant to protect the equipment during shipping and not for storage. Heat, weather and sunlight can damage the packing materials, which can impact the components. If storage is required you must store the equipment in a controlled environment away from heat, moisture and sunlight. SportsPlay recommends carefully unpacking the unit and taking an inventory before storing the equipment. Care should be taken with all powder coated and thermoplastic-coated parts to prevent damage to the coating. Additionally all plastic panels need to be stored flat to prevent warping.
- Review your playground footing and top view drawings to ensure your site is large enough. The use zone for playground structures extends 6’ (72”) from its perimeter. Remember that you may not overlap the use

zone of any slide with another playground. These guidelines are available from the CPSC (contact information for the CPSC is located on the next page).

- Read through the entire instruction booklet before beginning the actual installation.
- Before you begin preparing the site or digging any holes you must first contact your local utility companies so they can visit the site and mark all of the buried utilities. In the U.S. you may call 811 and your call will be routed to your local utility center.
- This equipment was designed to install on a clear and level site. There should be no more than 3” in of grade variations in a 10’ span.
- Footing layout is the first critical step once the installation begins. Mark all holes using the footing diagram. Prior to digging holes compare the measurements from the footing diagram to the actual site markings to ensure accuracy. Then check it again!
- Our posts are manufactured to accommodate 12” of protective surfacing.
- Evaluate the site for drainage. To ensure good drainage around the equipment consult a local professional.
- Do not leave the jobsite un-attended during installation unless all access points to the play area are secure, all bolts and fasteners are tight and all ground holes are covered.
- SportsPlay Equipment inc. has provided two warning labels that state: “WARNING – Installation over a hard surface such as concrete, asphalt or packed earth may result in serious injury or death from falls.” These labels must be installed on vertical posts as per ASTM F1487. Instructions for the placement of these labels are included in the appendix of this booklet.



MEGA Series Installation Guide

- SportsPlay will provide manufacturer identification labels that must be installed on the structure during installation per ASTM F1487. Installation instructions for these labels are included in the appendix of this instruction manual.
- Labels must be replaced when they are no longer legible. Contact your distributor for replacement labels.



Safety Surfacing

WARNING! – INSTALLATION OVER A HARD SURFACE SUCH AS CONCRETE, ASPHALT OR PACKED EARTH MAY RESULT IN SERIOUS INJURY OR DEATH FROM A FALL

Because accidental falls are likely to occur around play equipment, SportsPlay Equipment Inc. recommends that a resilient safety surfacing that will meet standard ASTM F1292 be placed under and around the structure and extend throughout the entire use zone.

SportsPlay Equipment Inc. manufactures all playgrounds to accommodate 12” of safety surfacing. If you intend to adjust the height of the surfacing you will need to adjust the depth of the footing to accommodate the surfacing height.

Refer to the CPSC Handbook for Public Playground Safety for the recommended type and depth of the protective surfacing as well as all other playground safety concerns.

For a copy of the most current issue of the CPSC Handbook for Public Playground Safety, write to:

U.S. Consumer Product Safety Commission
Office of Information and Public Affairs
Washington DC, 20207
USA

Call - 1-800-638-2772 (US and Canada only)
Call - 301-504-0990

Direct Link - <http://www.cpsc.gov/cpscpub/pubs/325.pdf>

For a copy of either the standard for surfacing (ASTM F1292) or for play equipment (ASTM 1487) write to:

American Society for Testing and Materials
100 Bar harbor drive
West Conshohocken PA, 19428-2959
USA

Call – 618-832-9585

Web Site – www.astm.org

You must consider the type of safety surfacing you will use before beginning the installation process. There are two general types, organic/loose fill or synthetic unitary (pour in place). You must know which type of surfacing you are going to use prior to installing the playground. This unit was designed for 12” of loose fill surfacing so if the customer wants to use a synthetic unitary product that has a much smaller height than 12” you must dig the footing holes deeper to allow for the difference.

If loose fill surface material is to be used (example: wood mulch) you will need to consider containment borders. There are many products to choose from including hard plastic and natural products such as wood (Creosoted railroad ties are NOT recommended for use as borders in a play area). Loose fill materials are easily displaced so use of some type of containment border is necessary to keep the surfacing material inside the intended area. Some customers also prefer to have a weed mat installed to prevent weed growth. Choose a mat that will prevent growth but will also allow for drainage.



MEGA Series Installation Guide

Tools and Materials

List is for tools and materials needed that are not included with the playground

Follow manufacturer's guidelines for proper use of tools and materials.

- The best method (also the easiest) to dig the postholes is using a tractor with a 12" auger attachment.
- Shovels (long handled spades)
- Post hole digger
- Wheelbarrow
- Large construction bar (5')
- Pry bar
- Claw hammer
- Large dead-blow rubber hammer
- Small sledgehammer to use in blocking the posts
- Vise grips (various sizes and styles)
- Strong and sturdy step ladders
- Socket set's (1/2" & 3/8" drive)
- Extension cords & power supply
- Drills (1/2" and 3/8")
- Drill bits and spade bits
- Levels – Magnetic torpedo and 4' long levels
- Scrap lumber to use for shims in post holes to keep posts level
- Blocking materials for the post holes (bricks, concrete blocks, etc.)
- 4' Bar Clamp
- Files and sand paper
- Safety surfacing
- Spray paint to mark holes
- String line
- Cement (2,500 psi minimum)
- Straight line or transit level (and tripod) for ensuring hole depths are at the same level



MEGA Series Installation Guide

**BEFORE STARTING INSTALLATION OF YOUR PLAYGROUND,
PLEASE READ INSTRUCTIONS THOROUGHLY.**

BEFORE BEGINNING

SITE REQUIREMENTS

The Playground system is designed to suit a level site. Should there be any falls or slopes on the site; care should be taken to accommodate the entry and exit points and to maintain the correct height. There should not be more than 3" of drop grade per every 10'.

The site must be inspected for natural obstacles such as roots or rocks that may be a trip hazard, poor drainage and sharp objects such as glass.

Every state has different rules and regulations governing digging, some are stricter than others. In addition, 62 separate One Call Centers serve different areas of the country; now 811 will connect you directly to your local One Call Center. Prior to digging, be sure to call 811 or the local One Call Center to prevent accidentally disrupting local utility service.

MAINTENANCE:

As an owner, it is most important that you are aware of your responsibility to insure safe use of your new equipment. It is necessary to install equipment according to the installation instructions provided and inspect the equipment at regular intervals. During inspection, if any part is found damaged or excessively worn, equipment should be replaced immediately. A maintenance checklist is included in the appendix of this instruction booklet.

If a part is missing or damaged the playground must be put out of service while the part is replaced. Lack of maintenance will result in premature wear, reduced life expectancy, and possible failure that may result in injury.

All SportsPlay Equipment play events have been engineered to meet all applicable safety guidelines, but if installed

Improperly, these problems may occur:

- Entrapment gaps (between 3 1/2" and 9")
- String Entanglements
- Protrusions

Make sure that any bolt end that protrudes more than 2 threads past the face of the nut is trimmed and de-burred smoothly. Always double-check your work.

Installation must adhere to the manufacturer's assembly manual and all other applicable safety guidelines.

PLAY AREA:

The area immediately above and around the play structure must be free of any obstructions such as:

- Trees
- Other Play Equipment
- Buildings
- Overhead Power lines

Make sure the play area has all the required safety surfacing and the minimum fall zones as required by the safety guidelines. These guidelines can be found at www.cpsc.gov.

CHILDREN MUST BE SUPERVISED AT ALL TIMES No playground is safe without adult supervision!

There may be situations that require you to modify the layout or use your own judgment. If you have any questions contact your distributor.

Reading this entire manual before beginning the installation will help you to ensure your equipment is installed and maintained correctly.



MEGA Series Installation Guide

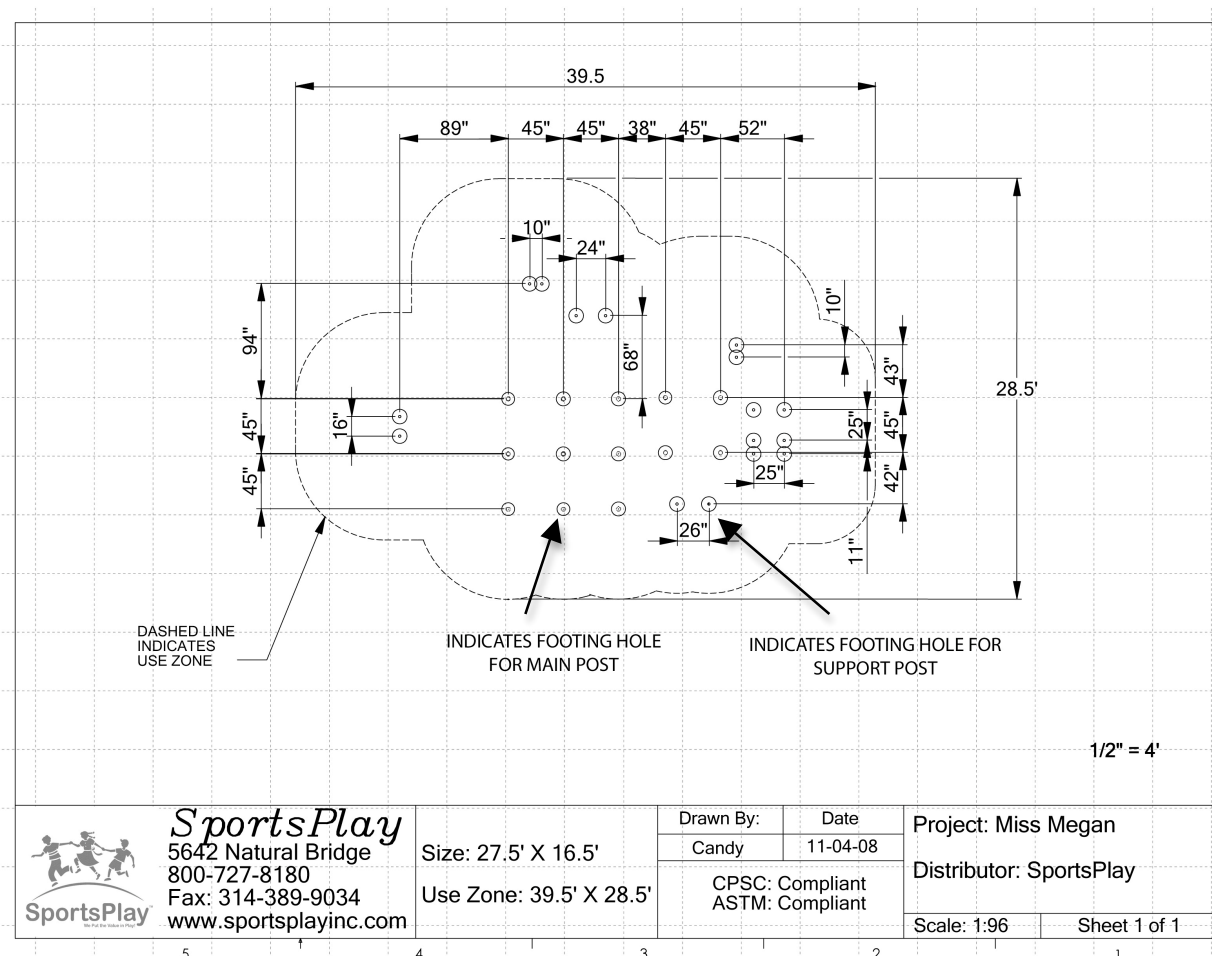
The use zone for this equipment shall extend a minimum of 6' in all directions from the perimeter of the equipment.

The use zone for adjacent stationary equipment may overlap. If the deck height for that equipment is no more than 30" above the protective surfacing the use zone is 6'.

The use zone for adjacent stationary equipment may overlap. If the deck height for that equipment is more than 30" above the protective surfacing the use zone is 9'.

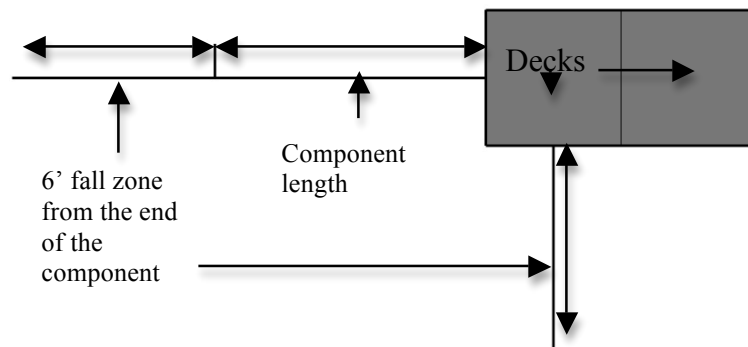
Installation Punch List

Footing Layout Example



Step 1: Layout

1. Lay decks on ground in the desired location using the top view layout drawing. Measure from each deck to ensure there is adequate space for any component and the components fall zone. Below is an example of how to layout your decks so you can mark the location of the holes for the main posts and verify the required distance for a fall zone. This drawing is a standard drawing and does not represent the actual playground you are installing.

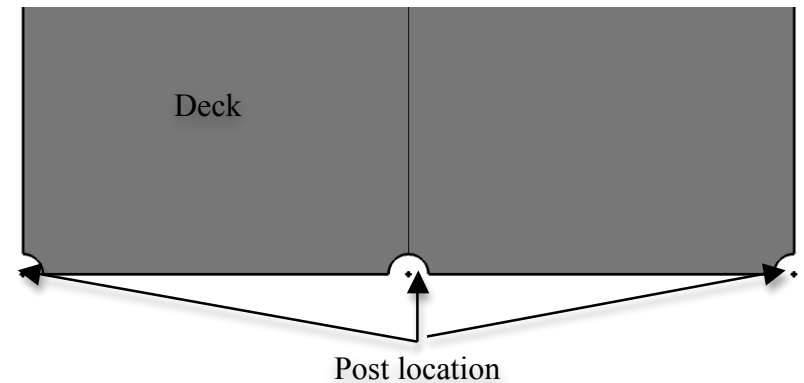


2. Most installers like to orientate the playground so that the entry point of the playground (primarily a transfer station) is facing either the sidewalk or the direction from which the children are entering the play area.

Step 2: Holes

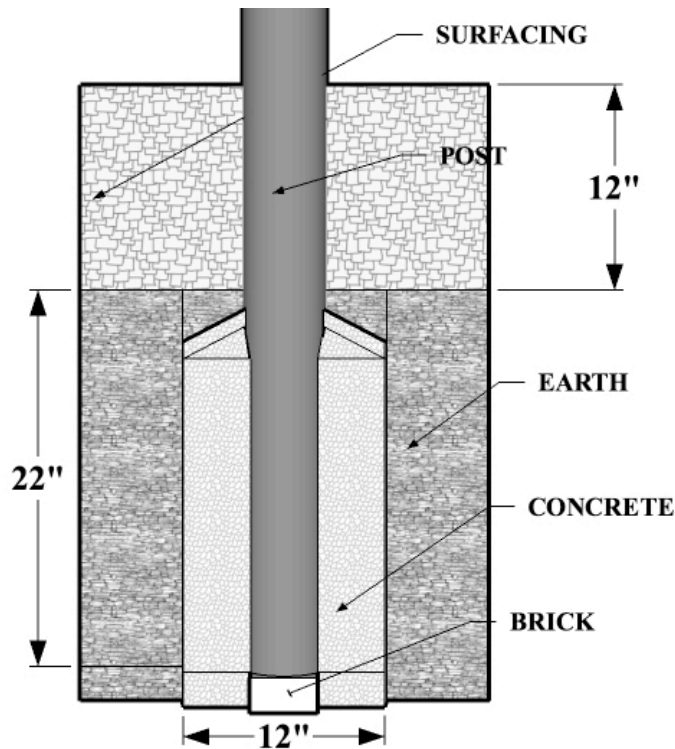
1. If the site grade is not level you have to adjust the footing depth to maintain a level footing. Check with building codes to ensure you meet required hole depth and width. If a deeper footing is required you must add blocking materials to the whole to keep the post depth in accordance with our footing drawing.

2. Once the decks are in the desired location within the play area and the decks are flush with each other, mark the locations of the post by inserting a stake into the center of each post location (see drawing below for an example). If using spray paint to mark location please be careful not to spray the deck.



3. Match the post location marks with the footing layout in the front of this booklet (an example of how to identify which holes are for the main posts and which are for support posts is on the previous page). Dig your holes using the main post footing drawing below. If your surface grade is not level you should start with the lowest point and use that hole depth to level all other holes too. The footing drawing below indicates a depth of 22" plus the thickness of a brick (or the thickness of whatever blocking material you will use instead of a brick). This depth is for 12" of surfacing only. If you are using something other than 12" of surfacing, such as 3" of rubber your hole depth would have to be 31" plus the thickness of a brick to allow for less surfacing material. (Footing depths for support posts such as slide legs are listed in the component assembly instructions.)

FOOTING SIDE VIEW



4. It is recommended that you use a transit to level the remaining postholes to the first hole in order to ensure that the posts are level.
5. Using the post identification drawing (4th page of this booklet) identify which post goes in each hole by matching the number on the post with the number on the drawing.

Step 3: Deck, Post & Component Installation

1. The easiest way to install the playground is by starting with the central deck and then work out. We recommend installing the posts and central deck and once the post and deck are square and level you may add the concrete (concrete with a minimum of 2,500 psi should be used). Mix concrete per manufacturers instructions and let it cure for at least 24 hours before continuing.
2. **NEVER LEAVE THE INSTALLATION SITE UNATTENDED WITHOUT ROPING OFF THE AREA AND EQUIPMENT, INSTALLING ALL HARDWARE, SECURING TOOLS AND EQUIPMENT, AND COVERING OPEN HOLES WITH A RIGID MATERIAL (PLYWOOD). CHILDREN WILL TRY TO USE THE EQUIPMENT EVEN THOUGH ITS NOT FULLY ASSEMBLED. YOU MUST TAKE ACTION TO PREVENT INJURY AND DAMAGE.**
3. Once the first deck is installed and the concrete has set for 24 hours you can install the remaining decks working out from the first deck ensuring all decks and posts are square and level as you go.
4. Level and plumb all posts and decks and then brace them in position.
5. Beginning at the lowest deck, install all playground components. When installing the four hole brackets be sure to orientate the bracket so that the setscrew faces down. Use the footing layout at the beginning of this booklet to layout your component holes. Once the entire playground has been installed and the entire unit is level you may start adding the concrete.



Step 4: Concrete

1. Verify all posts, decks and components are tight, level and square. Once the unit is verified to be level and square you may start installing concrete. You must use concrete with a minimum of 2,500 psi.
2. Always pre mix the concrete to the manufactures directions before pouring it into the hole. Never put dry concrete in the hole. Typically each main posthole requires two 80-pound bags of concrete.
3. Allow concrete to set in accordance with manufacturers directions. Fill holes too about 2” below the surface with concrete. Once the hole has been filled with concrete, slope the top of the concrete down and away from the post to keep water from seeping between the post and the concrete.
4. Secure playground area to prevent access while the concrete is setting for a minimum of 48 hours.
5. SportsPlay recommends having a CPSI (certified playground safety inspector) present during installation. If that’s not possible you should have the completed playground (after surfacing is in place) inspected by a CPSI.

Step 5: Last Step

1. After concrete has completely set, backfill all holes with dirt.
2. Install surfacing label, 12” from dirt surface on main posts for mulch.
3. Install surfacing.

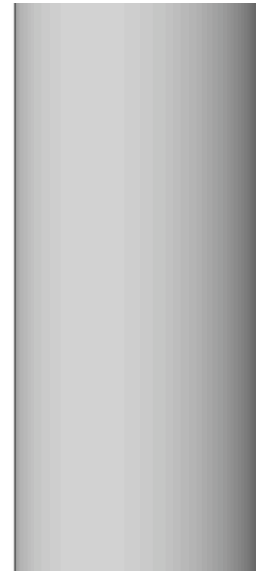
Four Hole Bracket & Panel Bracket Installation

Tip for installation

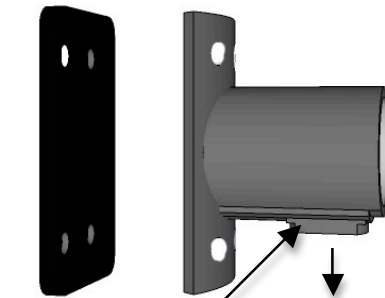
- Use the #7 drill bit to pre-drill all holes when connecting the bracket to the post if you are having trouble with the self-tapping screws

Installation

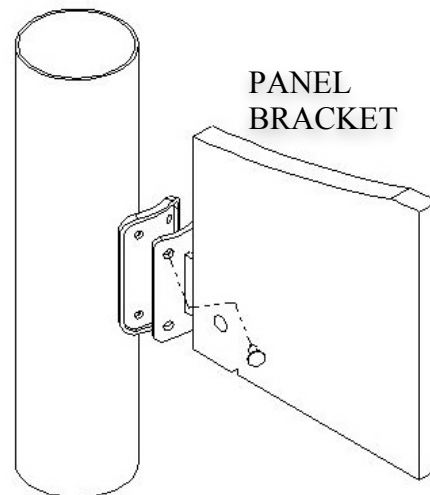
- Always install the brackets with the set screw facing down (refer to the drawing on the right)
- Always install the rubber gasket with the brackets
- After you have installed the brackets and the component completely verify the set screw is tightly in place and smooth out all sharp edges and points
- Use the screw bit included with the hardware
- Do not over tighten screws



FOUR HOLE
ATTACHMENT
BRACKET



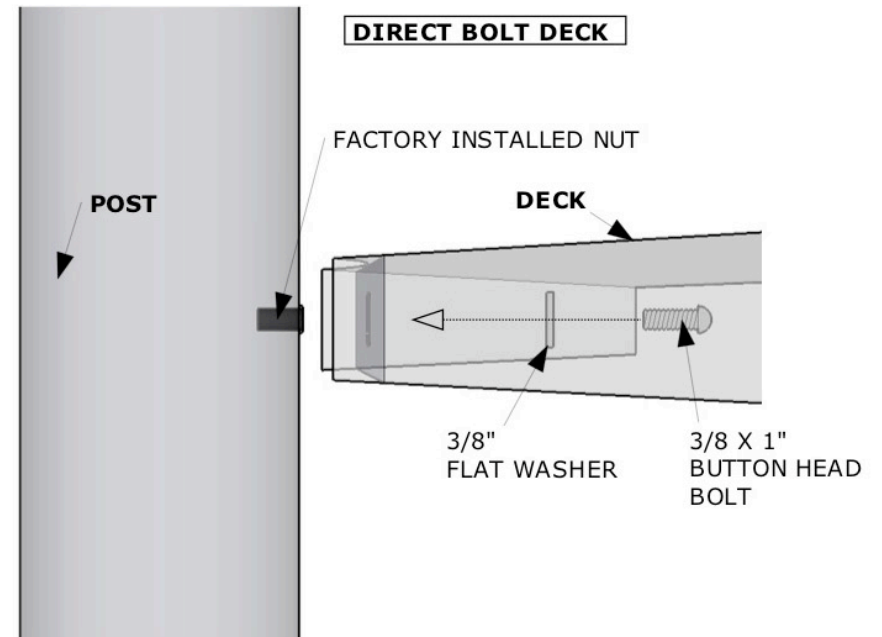
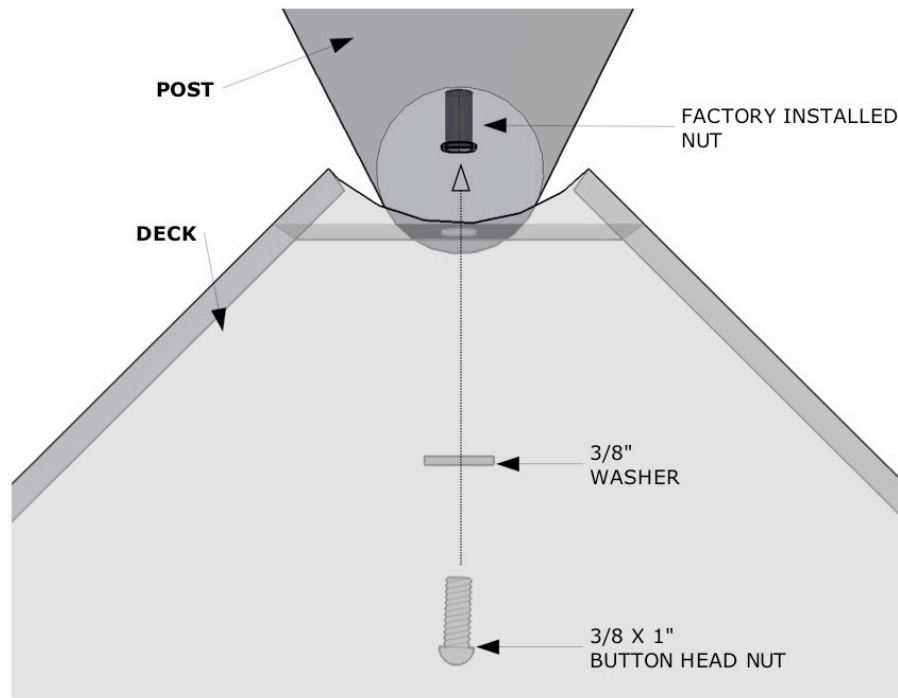
Set screw facing
down



Direct Bolt Deck

While two people position and hold the deck in place, insert the deck bolt and washer through the deck and into the factory installed nut on the post.

To ensure proper placement, refer to the layout drawing and the post id drawing at the beginning of this guide.





Other Installation Tips

- **When attaching a deck to a post** sometimes the factory installed nuts will spin when tightening the bolt. If this happens simply slide a slim flathead screw driver in between the deck and the post and slightly pry on the installed nut to keep it from spinning.
- **If you are mocking up components with the intention of removing the hardware at some point**, you may want to apply lubricating oil to the hardware. Stainless steel hardware has a tendency to seize so if you are planning on removing the hardware you may want to apply lubricant to prevent this.
- **Pre-drill the holes for the four hole bracket** in the posts with the #7 drill bit included with the hardware
- Unless specified in the specific component instruction step, **do not tighten the hardware completely** until the entire unit is assembled.



SUPERVISION GUIDE

Although the equipment is designed, installed and maintained in accordance with all safety guidelines adult supervision is required.

Not all equipment is appropriate for all ages. Direct children to age appropriate equipment.

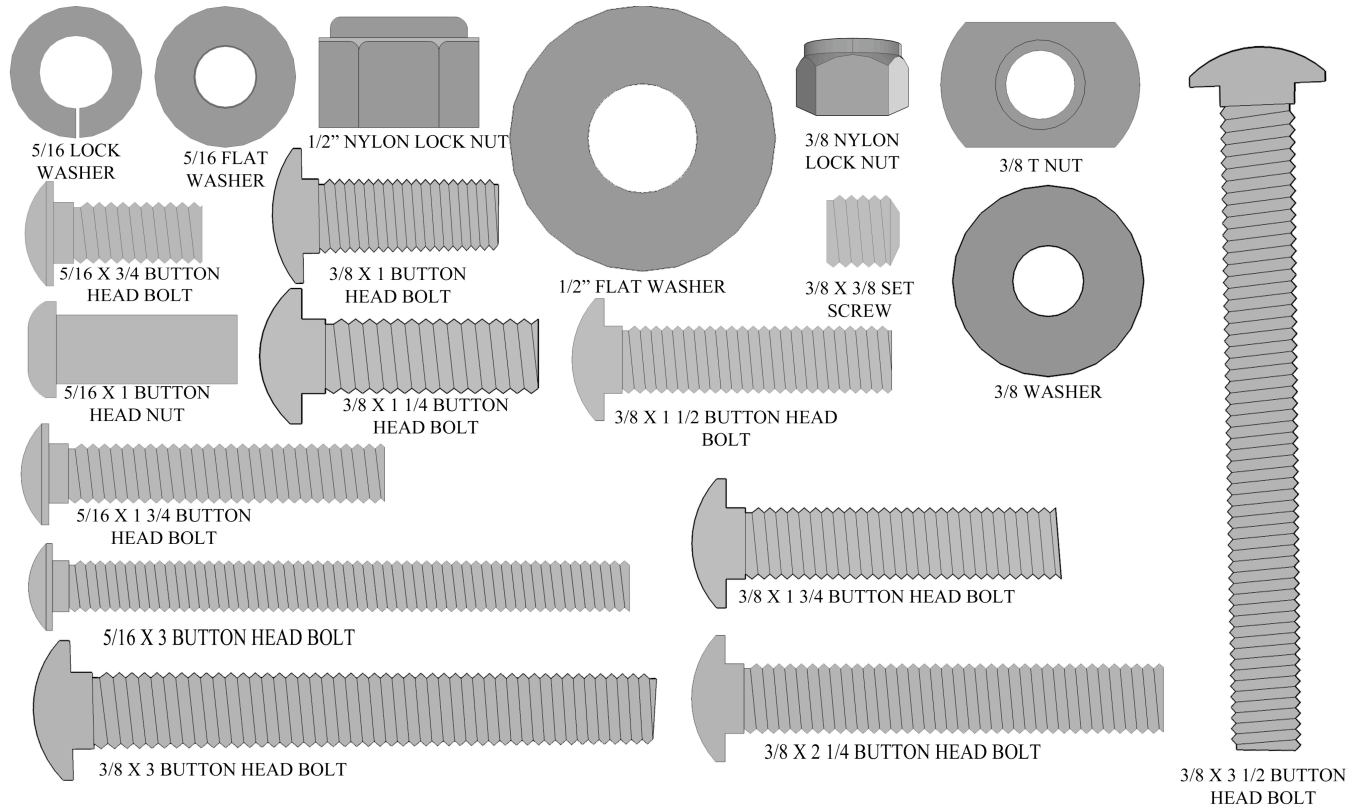
Younger children will require more supervision than older children.

While eliminating accidents is not likely, following these guidelines will help minimize accidents.

Basic playground safety for supervisors:

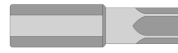
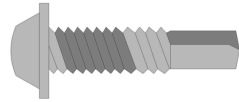
- Make sure all safety surfacing is in place and at the correct height. Inspect area for hard or sharp objects and remove them.
 - No dangerous horseplay in the play area. (Jumping from dangerous heights, displacing of surfacing, etc...)
 - Inspecting for missing or broken equipment. (Do not allow children to play on broken equipment or equipment with missing components).
 - Make sure there are no unsafe modifications (especially ropes tied to equipment). Remove all unsafe modifications and close the equipment for play until they are removed.
 - Keep children in the designated play area.
 - Do not let children play on wet equipment.
 - Prevent overcrowding on play equipment.
- Loose clothing, hoods, strings or jewelry shall be tight or not worn while playing to prevent strangulation.
 - Ensure the temperature of the equipment is not hazardous. Direct sunlight exposure can increase the temperature of the equipment high enough to cause injury.
 - Inspect the playground every day using the General Inspection Checklist located in the appendix of this manual
 - The easiest method for performing the daily inspection with the checklist is to laminate the checklist and use a dry erase marker to mark the items off before opening the play area

HARDWARE





SELF TAPPING SCREW



TORX BIT

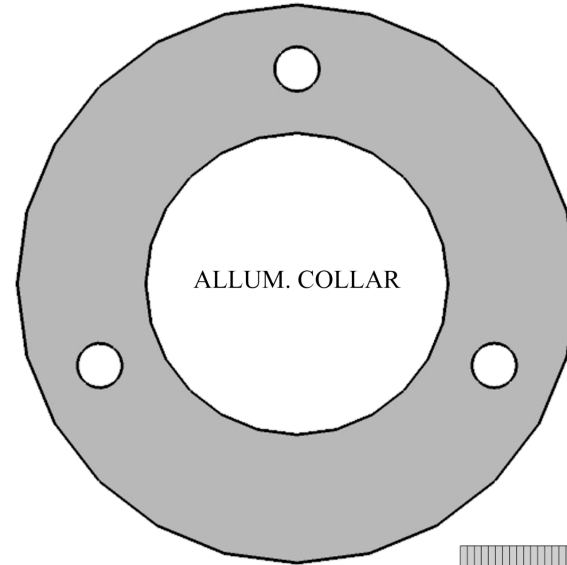
3/16 ALLEN

1/4 ALLEN

5/16 ALLEN

1/8 ALLEN

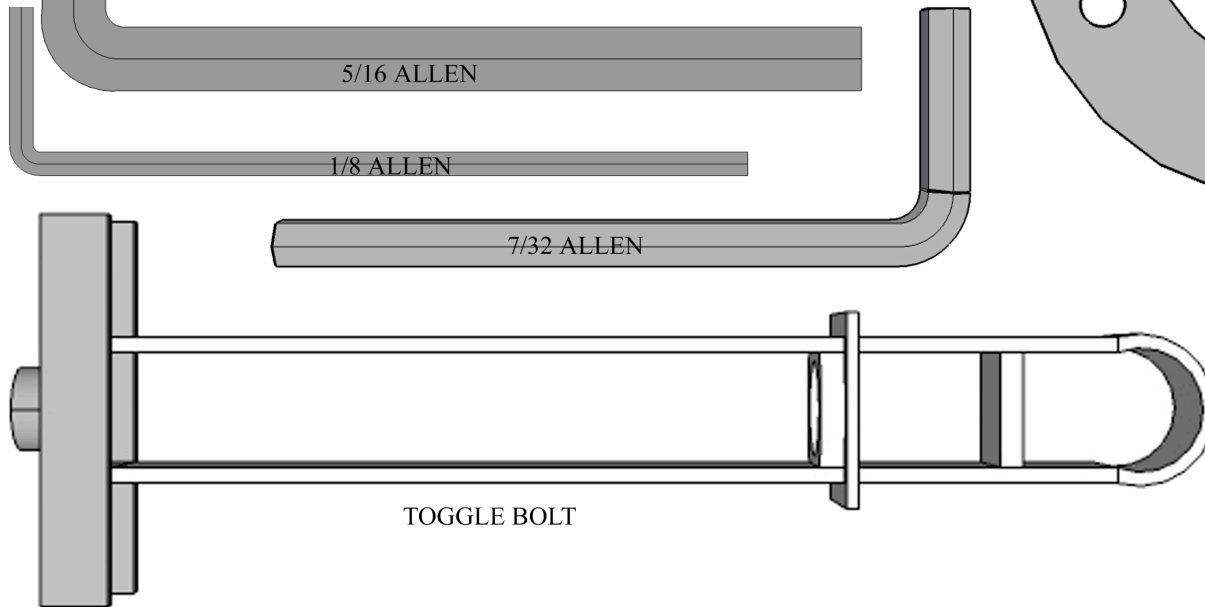
7/32 ALLEN



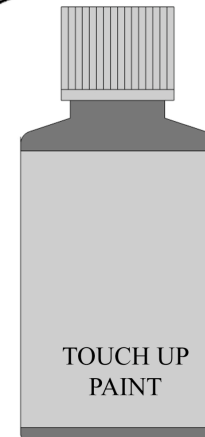
ALUM. COLLAR



LOCTITE



TOGGLE BOLT



TOUCH UP
PAINT



COMPONENT INSTALLATION INSTRUCTIONS

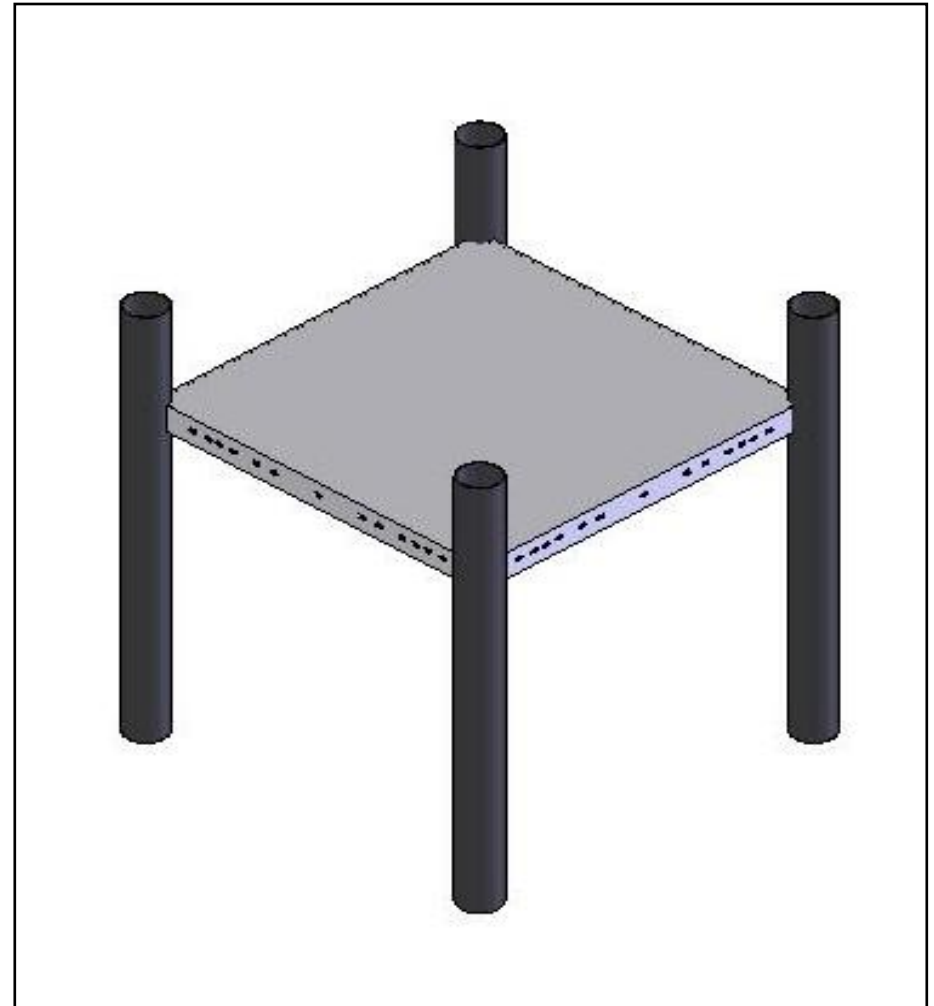
INSTALLATION DETAILS

- Recommended crew (Adult): 3
- Installation time: **15 min (.75 man hr)**
- User age: **2-12**
- Use zone: **72"**
- Weight: **79**

SURFACING: Use of safety surfacing in compliance with ASTM specification F1292 is required.

MAINTENANCE:

- As the owner of the playground you are responsible for maintenance of the equipment and play area. A maintenance schedule must be developed and the equipment inspected frequently. A maintenance section that includes component specific maintenance requirements is included at the end of this manual.
- Be sure to inspect surfacing for foreign objects that could cause injury and that sufficient surfacing are in place in accordance with ASTM and CPSC standards.



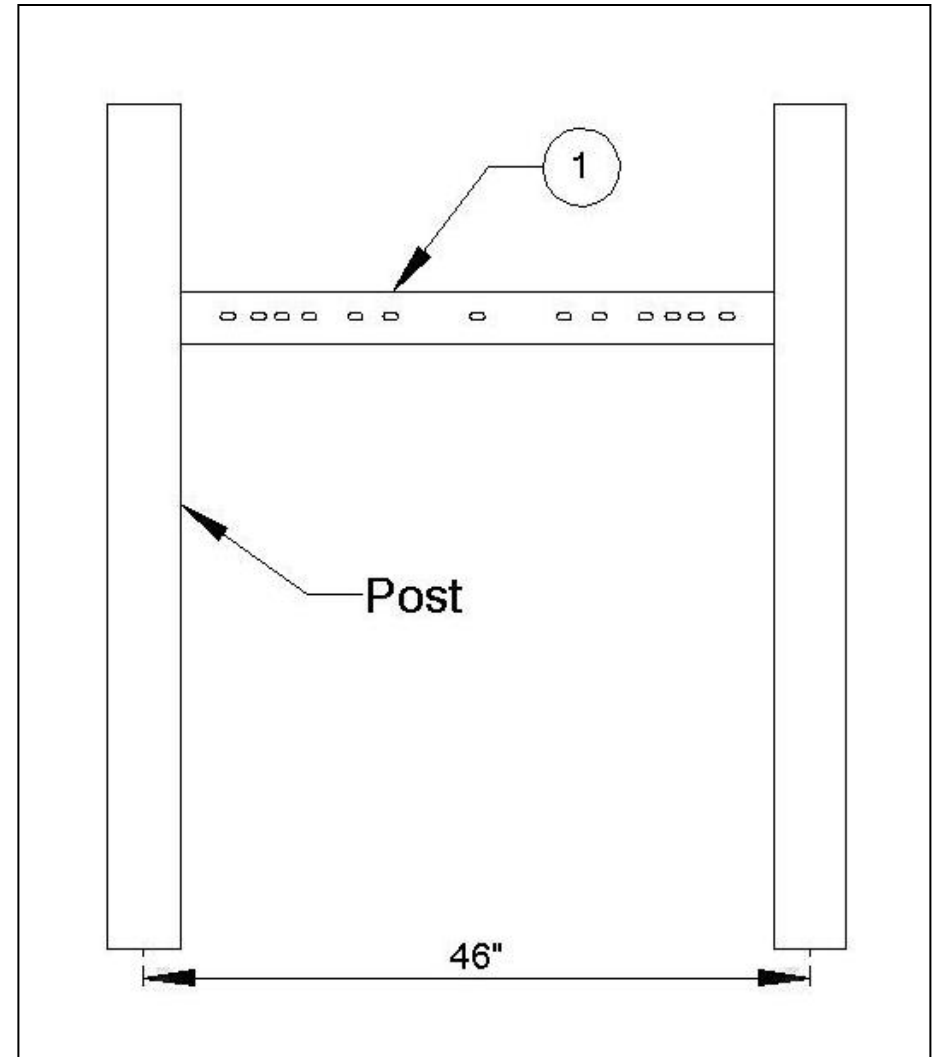


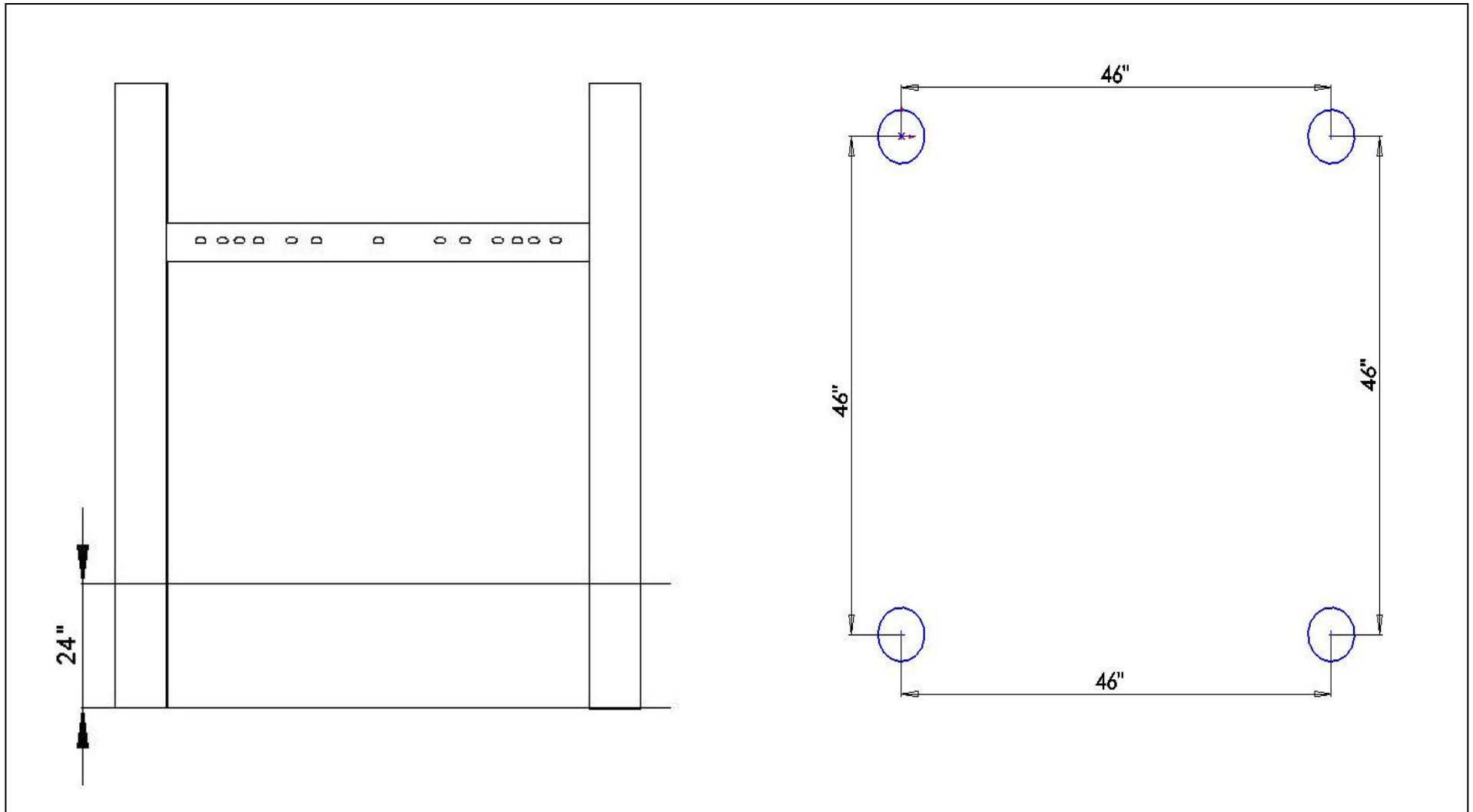
912-242 SQUARE DECK 46" INSTALLATION INSTRUCTION

PARTS LIST

ID	PART #	DESCRIPTION	QTY
1	913-242	Square Deck 46"	1
2	126-707BPS	3/8"x1 1/2" Button Head Bolt	4
3	316-601	3/8" Flat Washer	4

NOTE: Keep a copy of these instructions on file to assist you with maintenance and replacement parts.







SPECIFICATIONS

- Deck-12 GA HRPO steel
- Hardware – Stainless steel & tamper resistant
- Paint – Electrostatically applied & oven cured thermoplastic powder coat

INSTALLATION TIPS & TROUBLE SHOOTING

- Should the factory installed nuts on the posts start spinning while trying to attach the decks, simply insert a flat head screw driver under the lip or the nut and tighten the bolt.
- Apply locktite to all bolts during assembly prior to completely tightening them.
- Stainless Steel hardware can occasionally be difficult to use particularly if you need to take them out to make an adjustment. It is recommended that you add a drop of oil to bolts that may have to be removed before you install them.
- Do not tighten bolts all the way until the unit is completely assembled and all components are square and level.
- Identify and separate all parts by referencing the detail drawings and the parts list.
- As you unpack and separate the components use the cardboard sheets that were used for packing and shipping to prevent damage to the components. This is particularly true all Powder Coated and Thermoplastic coated components, by setting the components on top of the cardboard.

BEFORE YOU BEGIN

In addition to the components on the packing list you will need a level and blocking material.

INSTALLATION STEPS

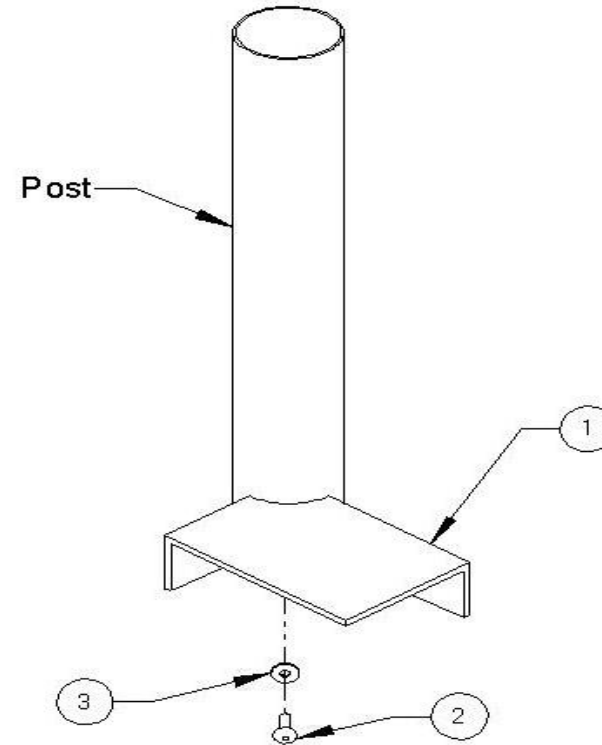
__1) **Review all instructions before beginning**

__2) **Unpack, organize, and identify all components:** Be sure to place all painted components on a protective surface (cardboard, cloth, etc...) to prevent damage.

__3) **Locate placement of the Square Deck:** See top down view of your instruction booklet

__4) **Attach Square deck to post:** Using one 3/8"x1 1/2" Button Head Bolt (2), with one 3/8" Flat Washer (3) installed on the bolt, inserts it through the factory punched slot in the Square deck. The bolt then threads into the factory installed nut in the post that the deck connects to. Repeat this step for all corners of the square deck.

__5) Once the entire playground has been installed and you have verified that the entire playground is level you can **add the concrete to the footing holes.** Be sure to use concrete with a minimum 2,500 psi and mix the concrete per the manufacturer's directions before you pour it into the footing hole. Once the footing has been filled with concrete you should rope of the area for a minimum of 48 hours to allow the concrete set properly.





INSTALLATION STEPS CONTINUED

__6) **Once the concrete has set**, back fill dirt over the footing holes; inspect the area and components for tools, hazardous debris and sharp edges. Verify all components are installed and all hardware is tight and then install the safety surfacing.

__7) **inspect the components:** for sharp edges and if necessary file them down and apply touch up paint

INSTALLATION DETAILS

- Recommended crew (Adult): 3
- Installation time: **15 min (.75 man hr)**
- User age: **2-12**
- Use zone: **72” from all edges**
- Weight: **46 lbs**

SURFACING: Use of safety surfacing in compliance with ASTM specification F1292 is required.

MAINTENANCE:

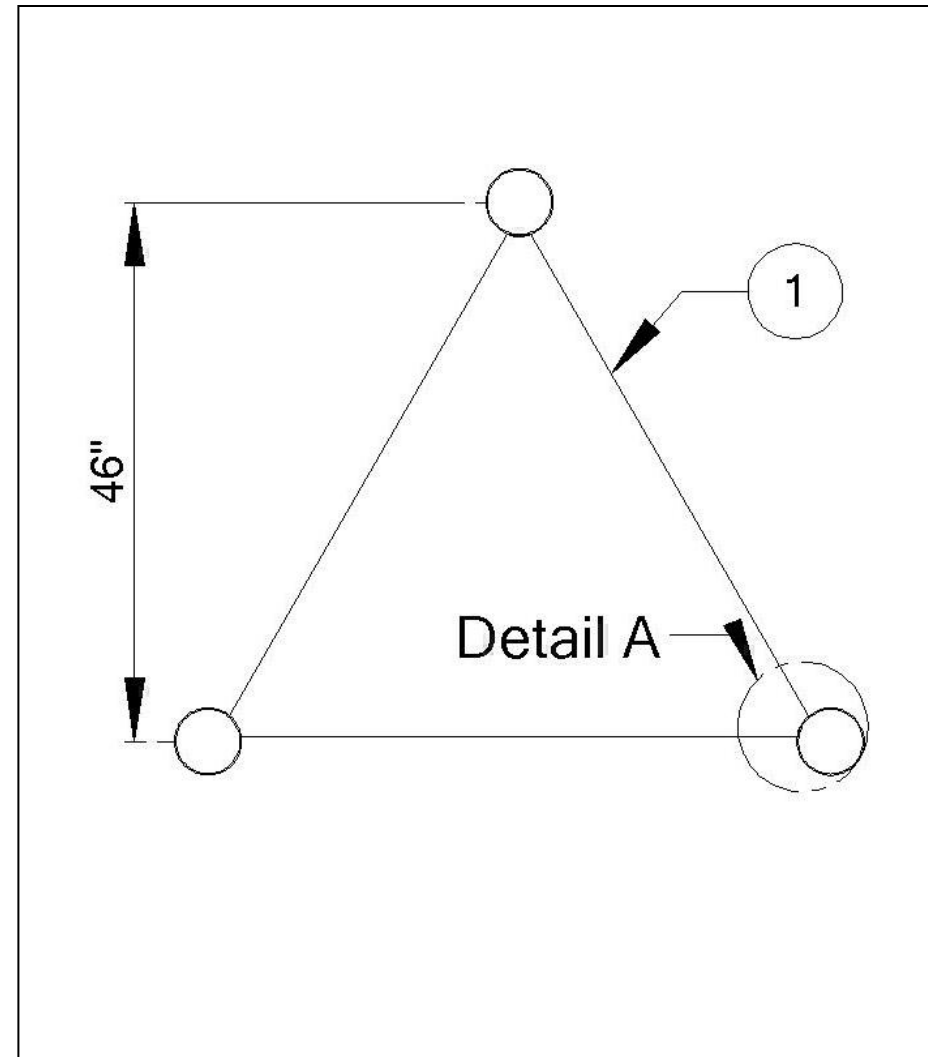
- As the owner of the playground you are responsible for maintenance of the equipment and play area. A maintenance schedule must be developed and the equipment inspected frequently. A maintenance section that includes component specific maintenance requirements is included at the end of this manual.
- Be sure to inspect surfacing for foreign objects that could cause injury and that sufficient surfacing is in place in accordance with ASTM and CPSC standards.



PARTS LIST

ID	PART #	DESCRIPTION	QTY
1	913-235	Triangle Deck 46"	1
2	126-707BPS	3/8"x1 1/2" Button Head Bolt	3
3	316-601	3/8" Flat Washer	3

NOTE: Keep a copy of these instructions on file to assist you with maintenance and replacement parts.





SPECIFICATIONS

- **Deck**-12 GA HRPO steel
- **Hardware** – Stainless steel & tamper resistant
- **Paint** – Electrostatically applied Thermoplastic Coating

INSTALLATION TIPS & TROUBLE SHOOTING

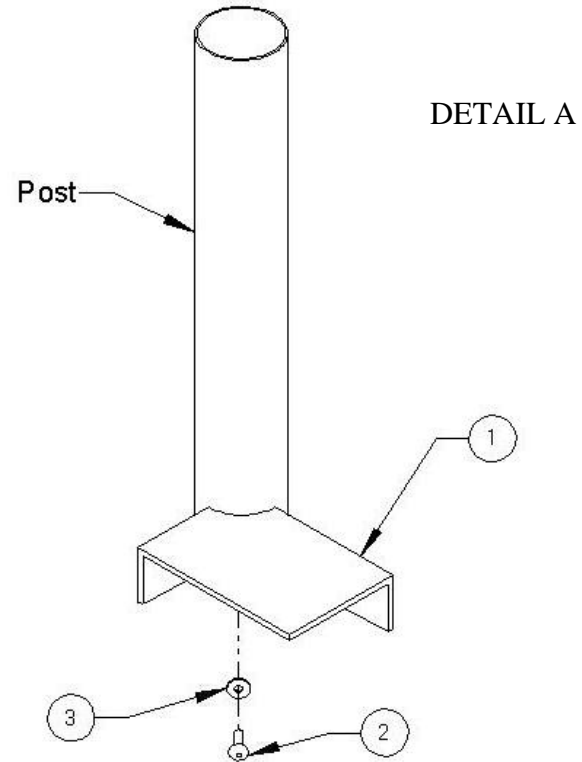
- Should the factory installed nut on the post spin while you are attaching the deck simply insert a flat head screw driver between the post and the deck and put some leverage onto the nut while installing the bolt.
- Apply locktite to all bolts during assembly prior to completely tightening them.
- Stainless Steel hardware can occasionally be difficult to use particularly if you need to take them out to make an adjustment. It is recommended that you add a drop of oil to bolts that may have to be removed before you install them.
- Do not tighten bolts all the way until the unit is completely assembled and all components are square and level.
- Identify and separate all parts by referencing the detail drawings and the parts list.
- As you unpack and separate the components use the cardboard sheets that were used for packing and shipping to prevent damage to the components. This is particularly true all Powder Coated and Thermoplastic coated components, by setting the components on top of the cardboard.

BEFORE YOU BEGIN

In addition to the components on the packing list you will need a level and blocking material.

INSTALLATION STEPS

- __1) **Review all instructions before beginning**
- __2) **Unpack, organize, and identify all components:** Be sure to place all painted components on a protective surface (cardboard, cloth, etc...) to prevent damage.
- __3) **Locate placement of the Triangle Deck:** See top down view or the post layout plan of your instruction booklet.
- __4) **Attach Triangle deck to the posts:** Using one 3/8"x1 1/2" Button Head Bolt (2), with one 3/8" Flat Washer (3) installed on the bolt, insert it through the factory punched slot in the Triangle deck. The bolt then threads into the factory installed nut in the post that the deck connects to. Repeat this step for all corners of the Triangle deck (Refer to Detail A).
- __5) Once the entire playground has been installed and you have verified that the entire playground is level you can **add the concrete to the footing holes.** Be sure to use concrete with a minimum 2,500 psi and mix the concrete per the manufacturer's directions before you pour it into the footing hole. Once the footing has been filled with concrete you should rope of the area for a minimum of 48 hours to allow the concrete set properly.





INSTALLATION STEPS CONTINUED

__6) **Once the concrete has set**, back fill dirt over the footing holes; inspect the area and components for tools, hazardous debris and sharp edges. Verify all components are installed and all hardware is tight and then install the safety surfacing.

__7) **Inspect the components:** for sharp edges and if necessary file them down and apply touch up paint.



THIS PAGE INTENTIONALLY LEFT BLANK

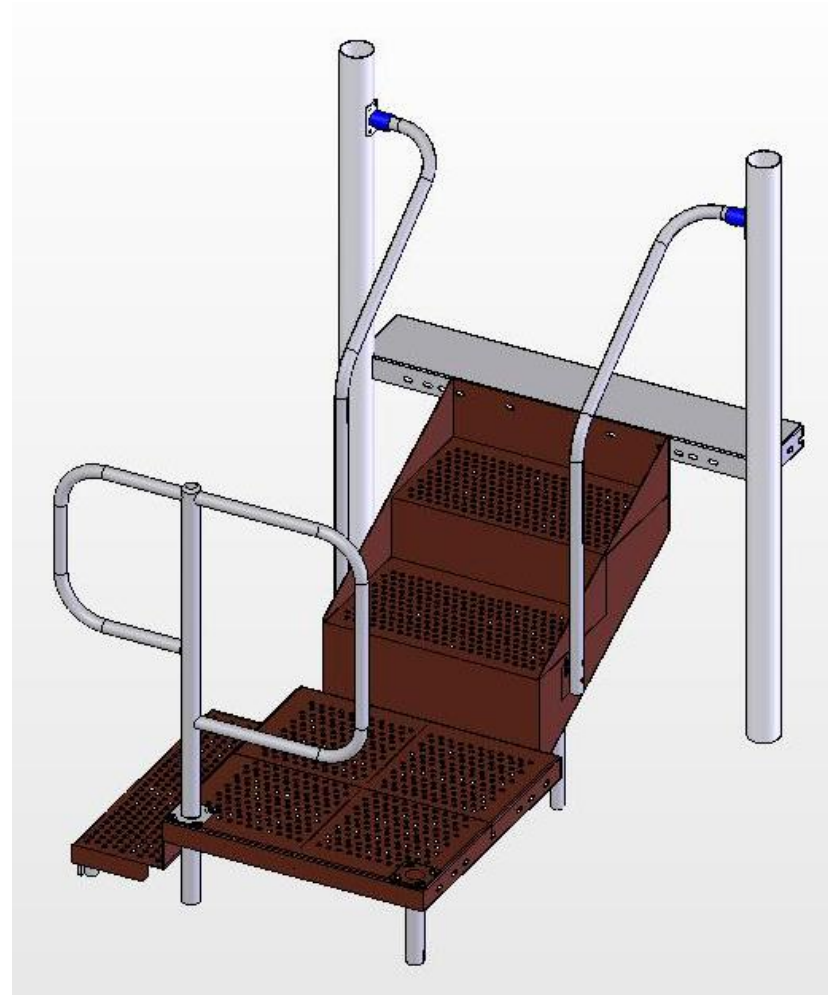
INSTALLATION DETAILS

- Recommended crew (Adult): 2
- Installation time: **1.5 hr (3 man hrs)**
- User age: **2-12**
- Use zone: **72" from all edges of deck**
- Weight: **165 lbs**

SURFACING: Use of safety surfacing in compliance with ASTM specification F1292 is required.

MAINTENANCE:

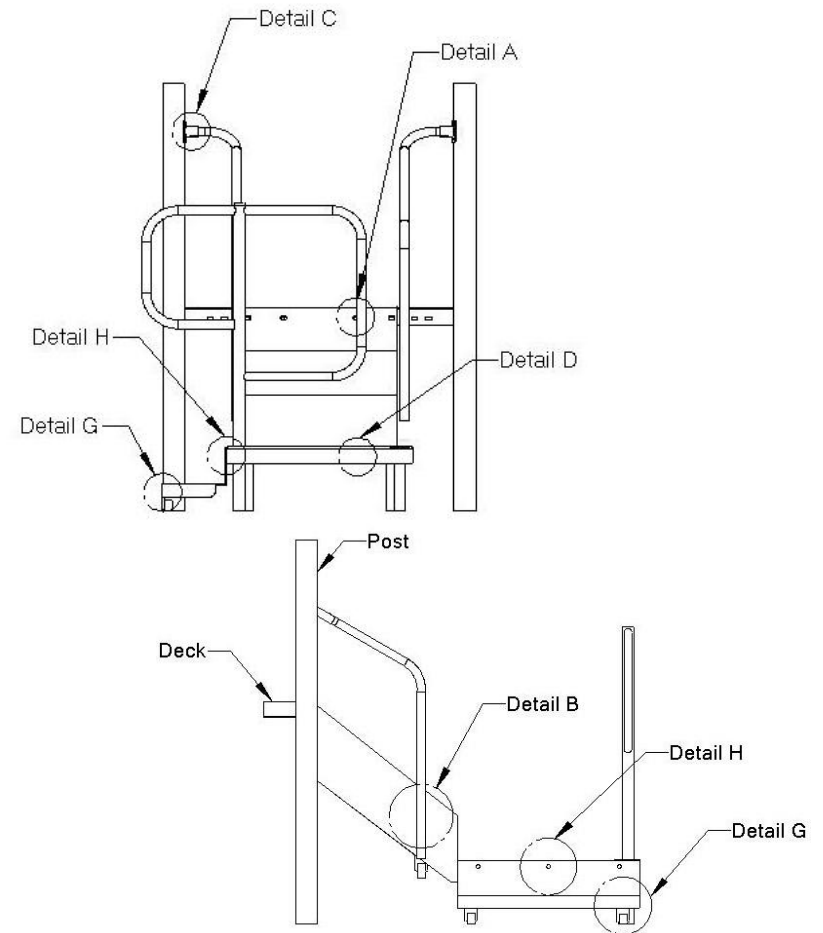
- As the owner of the playground you are responsible for maintenance of the equipment and play area. A maintenance schedule must be developed and the equipment inspected frequently. A maintenance section that includes component specific maintenance requirements is included at the end of this manual.
- Be sure to inspect surfacing for foreign objects that could cause injury and that sufficient surfacing is in place in accordance with ASTM and CPSC standards.



PARTS LIST

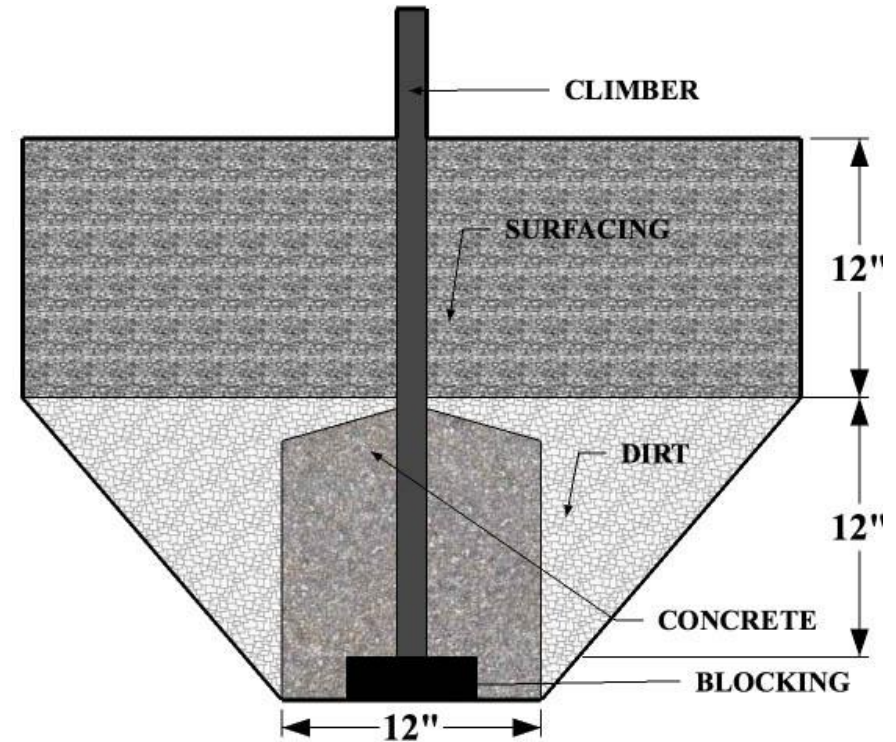
ID	PART #	DESCRIPTION	QTY
1	923-206	3' Transfer Station Stairs	1
2	923-211	Transfer Station Platform	1
3	923-210	Transfer Station Step	1
4	923-209	Transfer Station Cover Plate	1
5	923-208	Transfer Station Support Post	1
6	913-230	Transfer Point Inside Leg	4
7	913-426	Transfer Point Handhold Post	1
8	913-202	Transfer Point Handrail Left 3'	1
9	913-203	Transfer Point Handrail Right 3'	1
10	126-703	3/8"x1" Button Head Bolt	12
11	126-701bps	3/8"x 1 1/4" Button Head Bolt	10
12	316-601	3/8" Flat Washers	54
13	226-602	3/8" locknut	27
14	126-709bps	3/8"x 2 1/2" Button Head Bolt	4
15	913-402	Four Hole Attachment Bracket	2
16	905-208	Gasket for Attachment Bracket	2
17	905-526	Self Tapping Screw	8
18	106-807	3/8"x3/8" Set Screw	2
19	126-705	3/8" x 2" Button Head Bolt	2

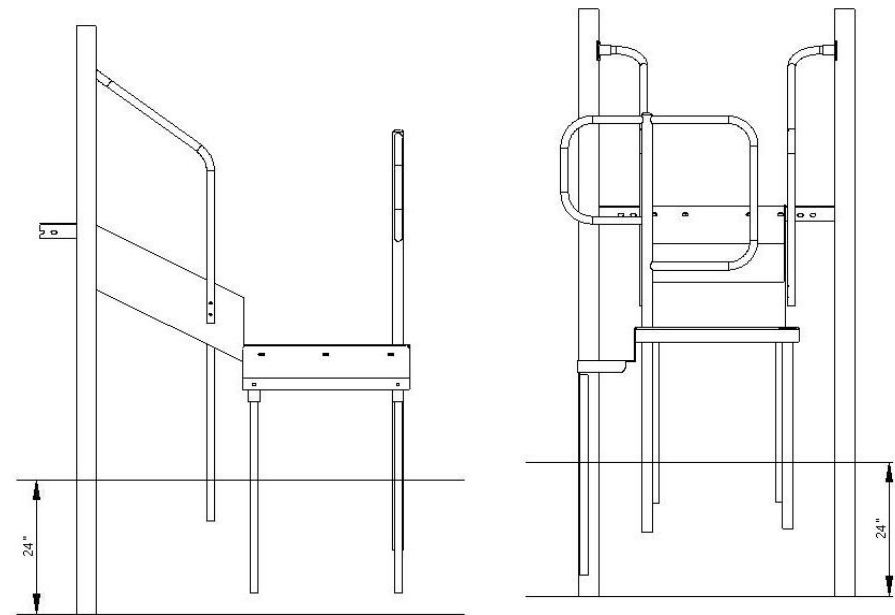
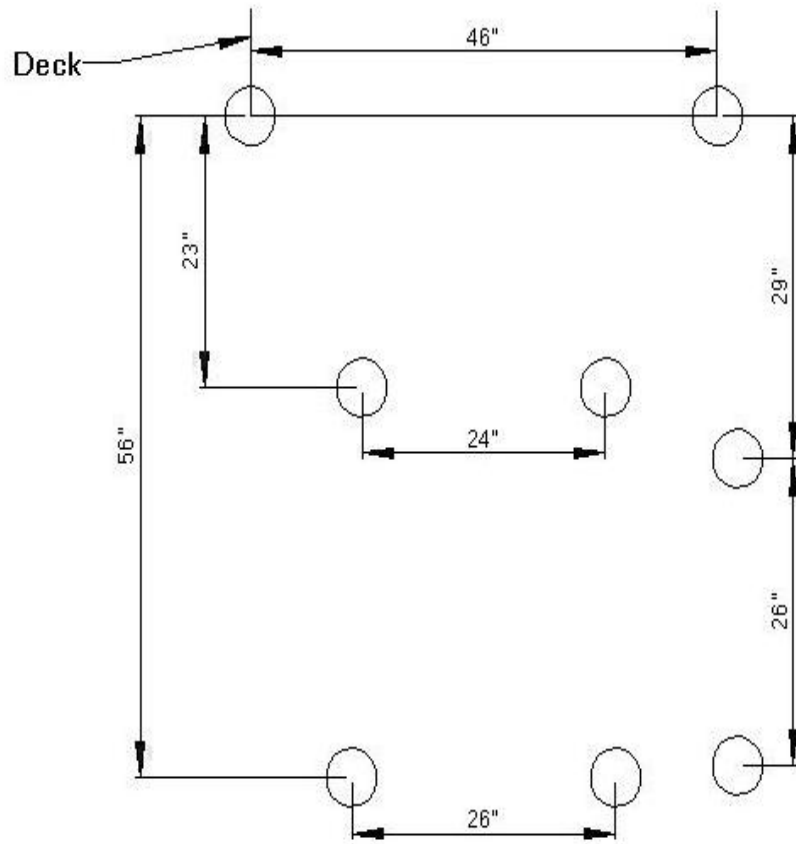
NOTE: Keep a copy of these instructions on file to assist you with maintenance and replacement parts.



FOOTING INFORMATION

- Total footing depth is 24" less the height of the surfacing plus the height of the blocking material. If you are using 12" of surfacing the footing hole would need to be 12" plus the height of the blocking material (refer to both the side and front cutaway views to the right).
- If the Play structure is installed on an unlevel grade you must adjust the footing depth to accommodate the grade. For instance, if the grade for this component is 1" higher than the surface grade of the main playground post you must dig your footing hole 1" deeper.
- You must place the bottom of the support post or slide leg on a suitable flat blocking material to prevent it from sinking further into the soil. We recommend you use a brick, block of wood or several inches of gravel. The footing depth does not include this blocking material since materials used often vary.
- It is the owner/installers responsibility to check local building codes and to comply with those codes. All footing depths listed here are recommendations and local soil types and frost lines may require a deeper and/or wider footing depth. If that's the case you must add more blocking material to accommodate the deeper footing, as the post length will still only be installed at the depth listed in this instruction manual.
- Assemble the entire unit before adding the concrete unless instructed to do so in the individual component instruction sections.







SPECIFICATIONS

- Deck and Steps-12 GA HRPO steel
- Deck & Step Coating – Electrostatically applied & oven cured thermoplastic powder coat.
- Tube – NEED SPECS
- Tube Paint – Electrostatically applied & oven cured powder coat
- Hardware – Stainless steel & tamper resistant
- Attachment Bracket – Powder coated cast aluminum

INSTALLATION TIPS & TROUBLE SHOOTING

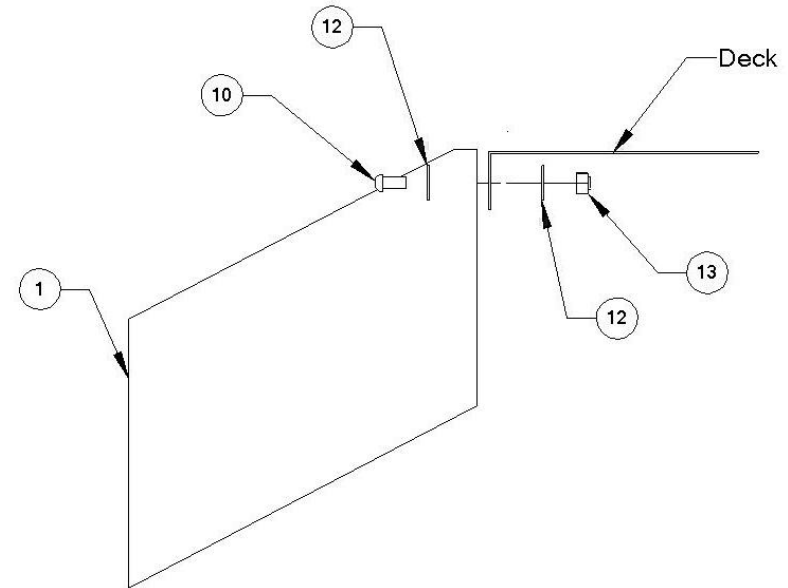
- SportsPlay Equipment Inc. recommends pre-drilling the holes in the post when attaching a four-hole bracket with a number #7 drill bit. This will make the attachment of the four-hole bracket with the self-tapping screws easier and it will prevent damage to the screw head during installation.
- Apply loctite to all bolts during assembly prior to completely tightening them.
- Stainless Steel hardware can occasionally be difficult to use particularly if you need to take them out to make an adjustment. It is recommended that you add a drop of oil to bolts that may have to be removed before you install them.
- Do not tighten bolts all the way until the unit is completely assembled and all components are square and level.
- Identify and separate all parts by referencing the detail drawings and the parts list.
- As you unpack and separate the components, use the cardboard sheets that were used for packing and shipping to prevent damage to the components. This is particularly true all Powder Coated and Thermoplastic coated components, by setting the components on top of the cardboard.

BEFORE YOU BEGIN

In addition to the components on the packing list you will need a level, blocking material, 9/16 wrench, shovel, tape measure and a post hole digger.

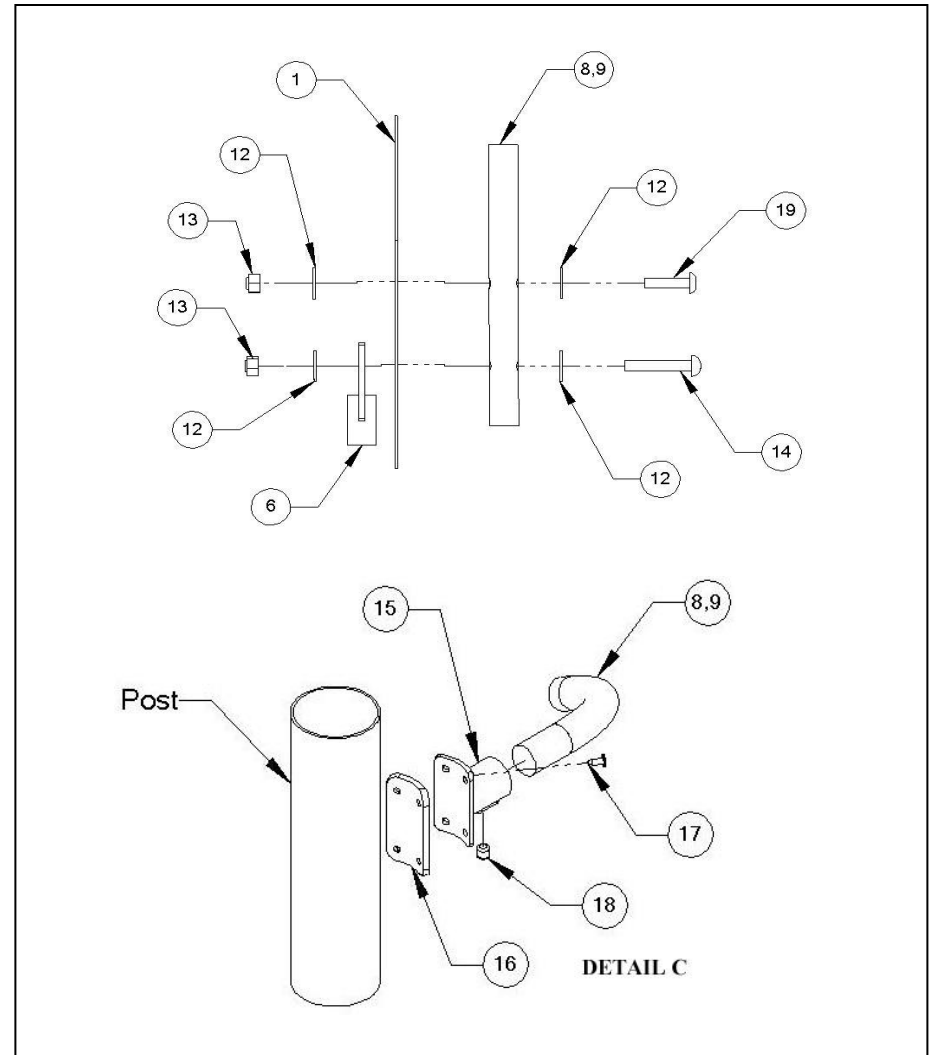
INSTALLATION STEPS

- __1) Review all instructions before beginning**
- __2) Unpack, organize, and identify all components:** Be sure to place all painted components on a protective surface (cardboard, cloth, etc...) to prevent damage.
- __3) Locate placement of the Transfer Station:** See top down view at the beginning of your instruction booklet.
- __4) Dig Footing Holes:** Refer to the Footing Diagram on page 4 of this instruction set.
- __5) Install Transfer Station Stairs:** The Transfer Station Stairs (1) will connect using four 3/8"x 1 Button Head Bolts (10), eight 3/8" Flat Washers (12), and four 3/8" Locknuts (13). Place One 3/8" Flat Washer on to each of the four 3/8"x 1 Button Head Bolts. Insert the Bolt and Washer assembly through the top holes of the stairs, then through the factory punched hole in the deck that the Transfer Station installs to. (See detail A) Secure this with a 3/8" Flat Washer and Locknut. Do not tighten the Locknut until the stairs are level. Repeat these steps until all four bolts are installed in the stairs. After the bolts are installed, level and block the stairs. Now you can tighten the four bolts to secure the stairs.



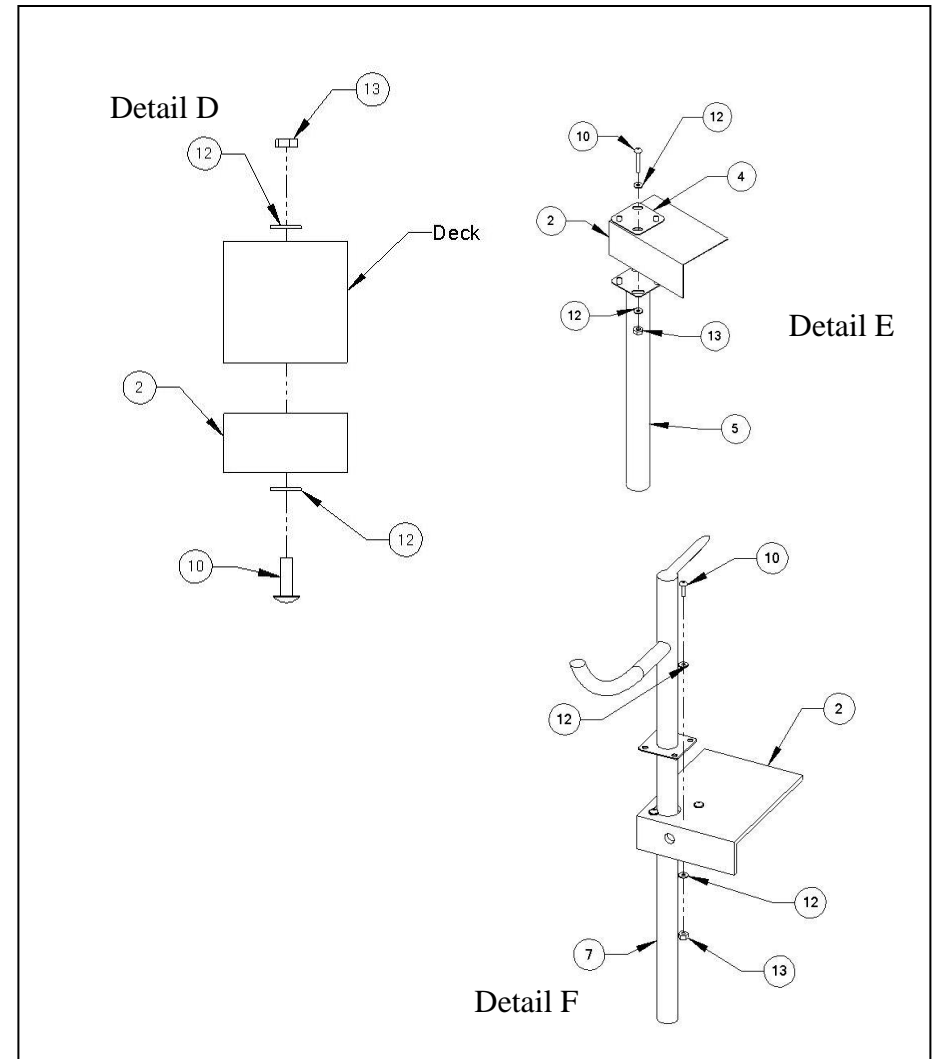
INSTALLATION STEPS CONTINUED

6) Install Handrails And Inside step Legs: You will need both the Left (8) and Right (9) Handrails, two Inside Step Legs, four 3/8" x 2 1/2" Button Head Bolts, eight 3/8" Flat Washers, four 3/8" Locknuts, two Four Hole Attachment Brackets (15), two Gaskets for Attachment Brackets (16), eight Self tapping Screws (17), and two 3/8" x 3/8" Set screws. Place one 3/8" Flat Washer on to each of the 2 1/2" Button Head Bolts. Insert this through the bottom hole on the Handrail, then through the bottom hole in the side of the stair. Now place the step leg into the footing hole and onto the 3/8" x 2 1/2" Button Head Bolt, the flat side of the inside step leg should touch the inside of the Transfer Station Stairs. Secure this with a second 3/8" Flat Washer and 3/8" Locknut. (See detail B) Install a second 3/8" x 2" Button Head Bolt and 3/8" Flat washer into the top hole of the Handrail. Place one of the Four Hole Attachment Brackets on the bent end of the Handrail and mark the holes on the post that it connects to. Drill the holes and install the Four Hole Attachment Bracket to the post. With the hole in the Four Hole Attachment Bracket facing the ground, attach it to the post using four Self tapping Screws, the Attachment Bracket Gasket will install between the Bracket and the post. Now you need to install the 3/8" x 3/8" set screw into the threaded insert in the Four Hole Attachment bracket to secure the Handrail to the post. (See detail C) Repeat this for the other handrail.



INSTALLATION STEPS CONTINUED

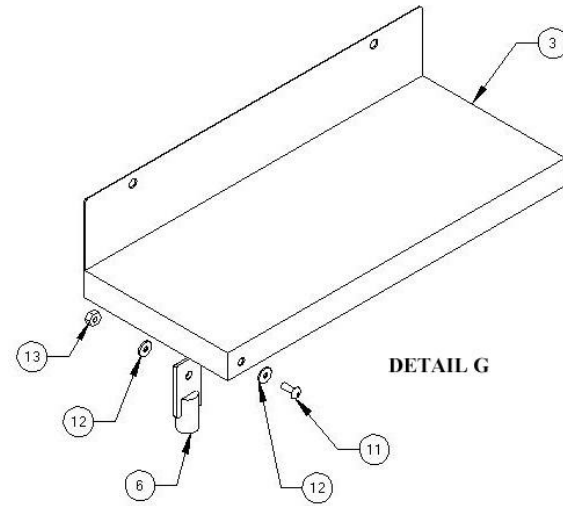
7) Install Transfer Station Platform: This will install to the bottom part of the Transfer Station Stairs. To do this you will need the Transfer Station Platform (2), Transfer Station Cover Plate (4), Transfer Station Support Post (5), Transfer Point Handhold Post(7), four 3/8" x 1" Button Head Bolts (10), eight 3/8" x 1 1/4" Button Head Bolts (11), twenty Four 3/8" Flat washers (12), and twelve 3/8" Locknuts. First start by placing a 3/8" Flat Washer onto each of the 3/8" bolts. Now you can attach the transfer Station Platform to the Transfer Station Stairs. Insert one of the 3/8" x 1" Button Head Bolts into one of the factory punched holes in the Transfer Station Platform. Now you can place the bolt through the Transfer Station Stairs and secure it with a 3/8" Flat Washer and 3/8" Locknut. (See detail D) Do not tighten these bolts until the deck has been leveled. Next place the Transfer Station Support Post into the footing hole opposite of the desired location of the Transfer Station Step. Place one 3/8" Flat Washer onto each of the 3/8" x 1" Button Head Bolts and insert them into the Transfer Station Cover Plate through the Transfer Station Platform and Transfer Station support post, then secure the four 3/8" x 1" Button Head Bolts with a 3/8" Flat Washer and 3/8" Locknut on each bolt. (See detail E) Now you will need the Transfer Station Handhold Post. It will drop through the transfer Station Platform and into the footing Hole. Use the remaining four 3/8" x 1" Button Head Bolts, 3/8" Flat Washers, and 3/8" Locknuts to secure it to the Transfer Station Platform. (See detail F)



INSTALLATION STEPS CONTINUED

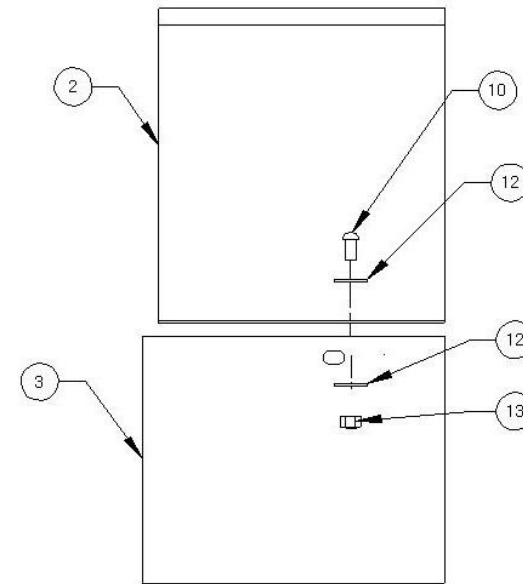
__8) **Install the Transfer Station Step:** To complete this step you will need the Transfer Station step (3), two Transfer Point Inside Legs (6), three 3/8" x 1" Button Head Bolts (10), two 3/8" x 1 1/4" Button Head Bolts (11), ten 3/8" Flat Washers, and five 3/8" Locknuts. First install the Transfer Point Inside Legs to the Transfer Station step. Using a 3/8" x 1 1/4" Button Head bolt with a 3/8" Flat Washer on each insert them through the Transfer Station Step. Place the flat side of the Transfer Point Inside Leg against the Transfer Station step and secure them with a 3/8" Flat Washer and a 3/8" Locknut. (See detail G) Place the Transfer Point Inside legs into their footing holes, then you need to place one 3/8" Flat Washer onto each of the three 3/8" x 1" Button Head Bolts, insert this assembly through the top of the Transfer Station Step and into the factory punched hole in the Transfer Station Platform. Secure the Transfer Station Step to the transfer Station Platform with a 3/8" Flat Washer and a 3/8" Locknut. (See detail H) Level the Transfer Station Platform and Transfer Station Step before you tighten the bolts.

__9) Once the entire playground has been installed and you have verified that the entire playground is level you can **add the concrete to the footing holes**. Be sure to use concrete with a minimum 2,500 psi and mix the concrete per the manufacturer's directions before you pour it into the footing hole. Once the footing has been filled with concrete you should rope of the area for a minimum of 48 hours to allow the concrete set properly.



__10) **Once the concrete has set**, back fill dirt over the footing holes; inspect the area and components for tools, hazardous debris and sharp edges. Verify all components are installed and all hardware is tight and then install the safety surfacing.

__11) Inspect **the components**: for sharp edges and if necessary file them down and apply touch up paint.



DETAIL H



922-135 3' TRANSFER STATION INSTALLATION INSTRUCTION

INSTALLATION DETAILS

- Recommended crew (Adult): **1**
- Installation time: **15 min (.25 man hr)**
- User age: **2-12 Years**
- Use zone: **NA**
- Weight: **11 lbs**

SURFACING: Use of safety surfacing in compliance with ASTM specification F1292 is required

MAINTENANCE:

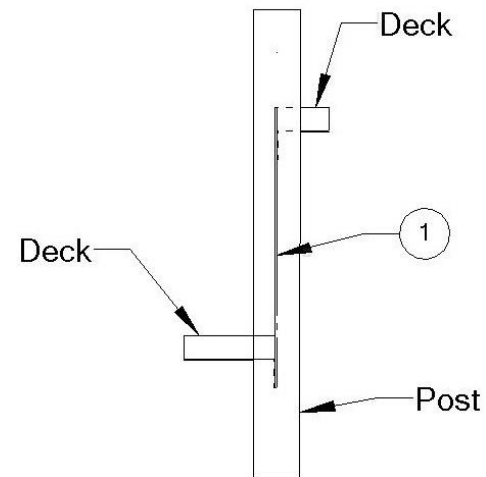
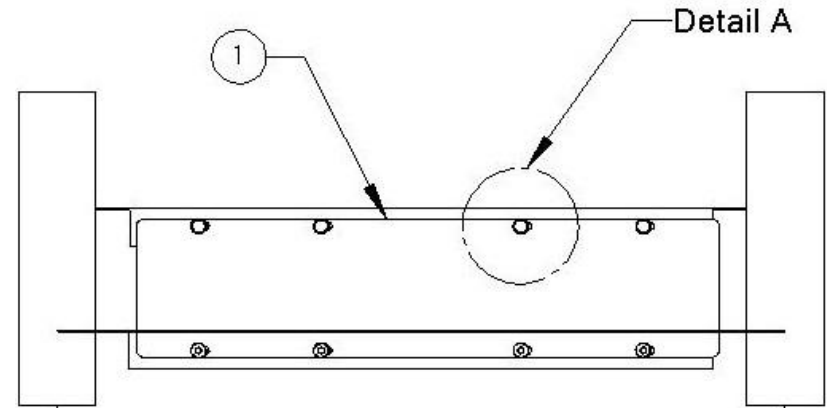
- As the owner of the playground you are responsible for maintenance of the equipment and play area. A maintenance schedule must be developed and the equipment inspected frequently. A maintenance section that includes component specific maintenance requirements is included at the end of this manual.
- Be sure to inspect surfacing for foreign objects that could cause injury and that sufficient surfacing is in place in accordance with ASTM and CPSC standards.



PARTS LIST

ID	PART #	DESCRIPTION	QTY
1	923-186	Kick plate Std. 8" Rise	1
2	126-703	3/8" x 1" Button Head Bolt	8
3	316-601	3/8" Flat Washer	16
4	226-602	3/8" Locknut	8

NOTE: Keep a copy of these instructions on file to assist you with maintenance and replacement parts.





SPECIFICATIONS

- **Deck**-12 GA HRPO steel
- **Hardware** – Stainless steel & tamper resistant
- **Paint** – Electrostatically applied thermoplastic powder coat

SPECIAL SAFETY & ASTM COMPLIANCE NOTES

- Any opening must either be less than 3 ½" or more than 9" to eliminate any possible head or neck entrapment.

INSTALLATION TIPS & TROUBLE SHOOTING

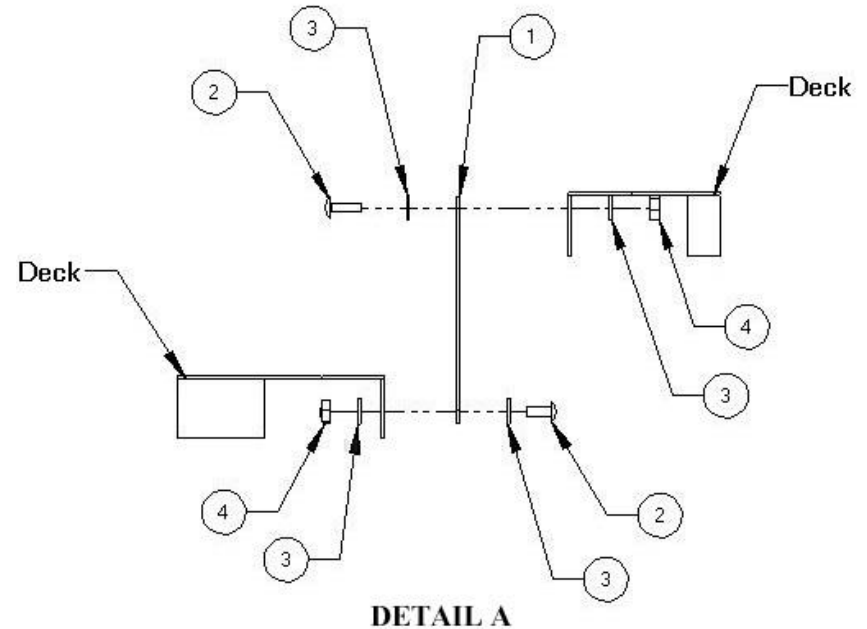
- SportsPlay Equipment Inc. recommends pre-drilling the holes in the post when attaching a four-hole bracket with a number #7 drill bit. This will make the attachment of the four-hole bracket with the self-tapping screws easier and it will prevent damage to the screw head during installation.
- Apply locktite to all bolts during assembly prior to completely tightening them.
- Stainless Steel hardware can occasionally be difficult to use particularly if you need to take them out to make an adjustment. It is recommended that you add a drop of oil to bolts that may have to be removed before you install them.
- Do not tighten bolts all the way until the unit is completely assembled and all components are square and level.
- Identify and separate all parts by referencing the detail drawings and the parts list.
- As you unpack and separate the components, use the cardboard sheets that were used for packing and shipping to prevent damage to the components. This is particularly true all Powder Coated and Thermoplastic coated components, by setting the components on top of the cardboard.

BEFORE YOU BEGIN

In addition to the components on the packing list you will need a 7/32 Socket Key.

INSTALLATION STEPS

- __1) Review all instructions before beginning**
- __2) Unpack, organize, and identify all components:** Be sure to place all painted components on a protective surface (cardboard, cloth, etc...) to prevent damage.
- __3) Locate placement of the Kick plate:** See top down view of your instruction booklet
- __4) Attach Kick plate to Deck:** Using one 3/8" x 1" Button Head Bolt (2), with one 3/8" Flat Washer (3) installed on it, place it into the factory punched hole in the Kick Plate. Next place the Kick plate against outside edge of the deck that it installs to and secure it with one 3/8" Flat Washer (3) and one 3/8" locknut (4) on the backside of the deck. Do not tighten Lock Nuts until all bolts are installed. Repeat this step eight times. (See detail A)
- __8) Inspect the components** for sharp edges.



INSTALLATION DETAILS

- Recommended crew (Adult): **2**
- Installation time: **2 Hours (4 man hours)**
- User age: **2-12 Years**
- Use zone: **6' on all sides**
- Weight: **92lbs**

SURFACING: Use of safety surfacing in compliance with ASTM specification F1292 is required.

MAINTENANCE:

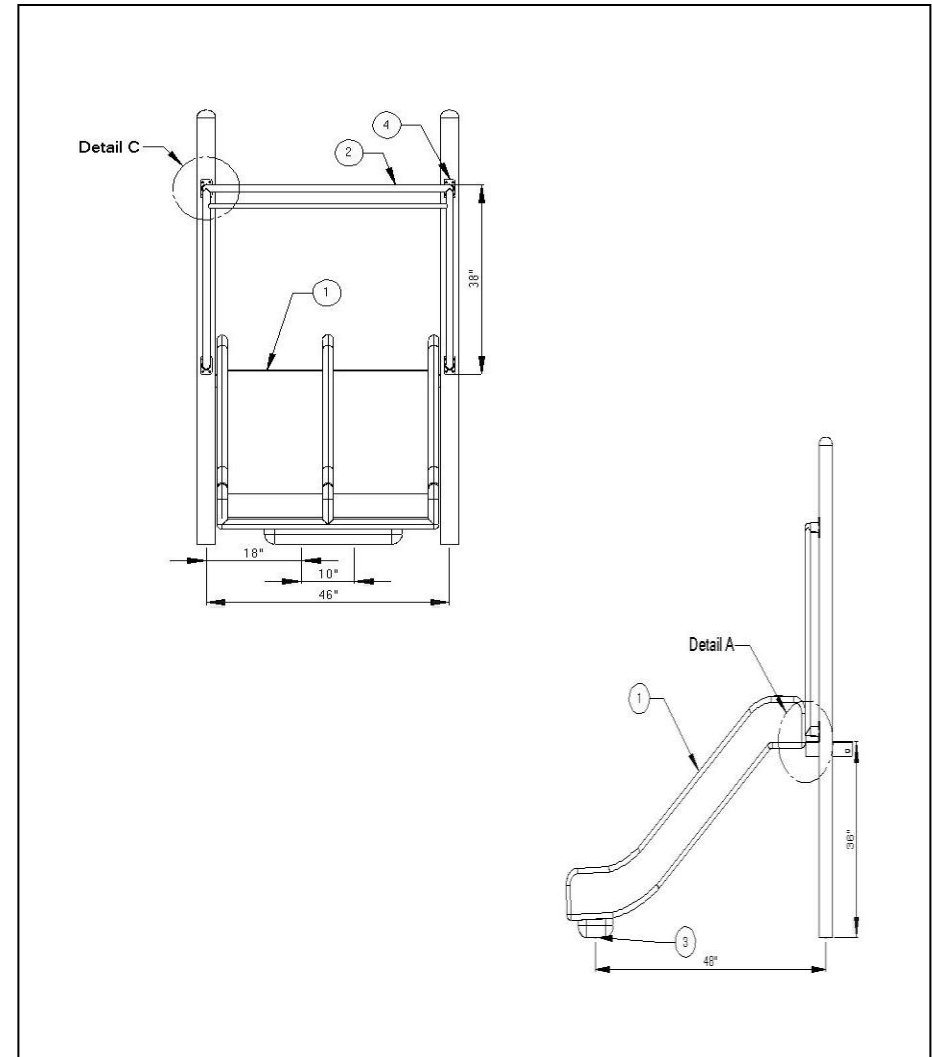
- As the owner of the playground you are responsible for maintenance of the equipment and play area. A maintenance schedule must be developed and the equipment inspected frequently. A maintenance section that includes component specific maintenance requirements is included at the end of this manual.
- Be sure to inspect surfacing for foreign objects that could cause injury and that sufficient surfacing are in place in accordance with ASTM and CPSC standards.



PARTS LIST

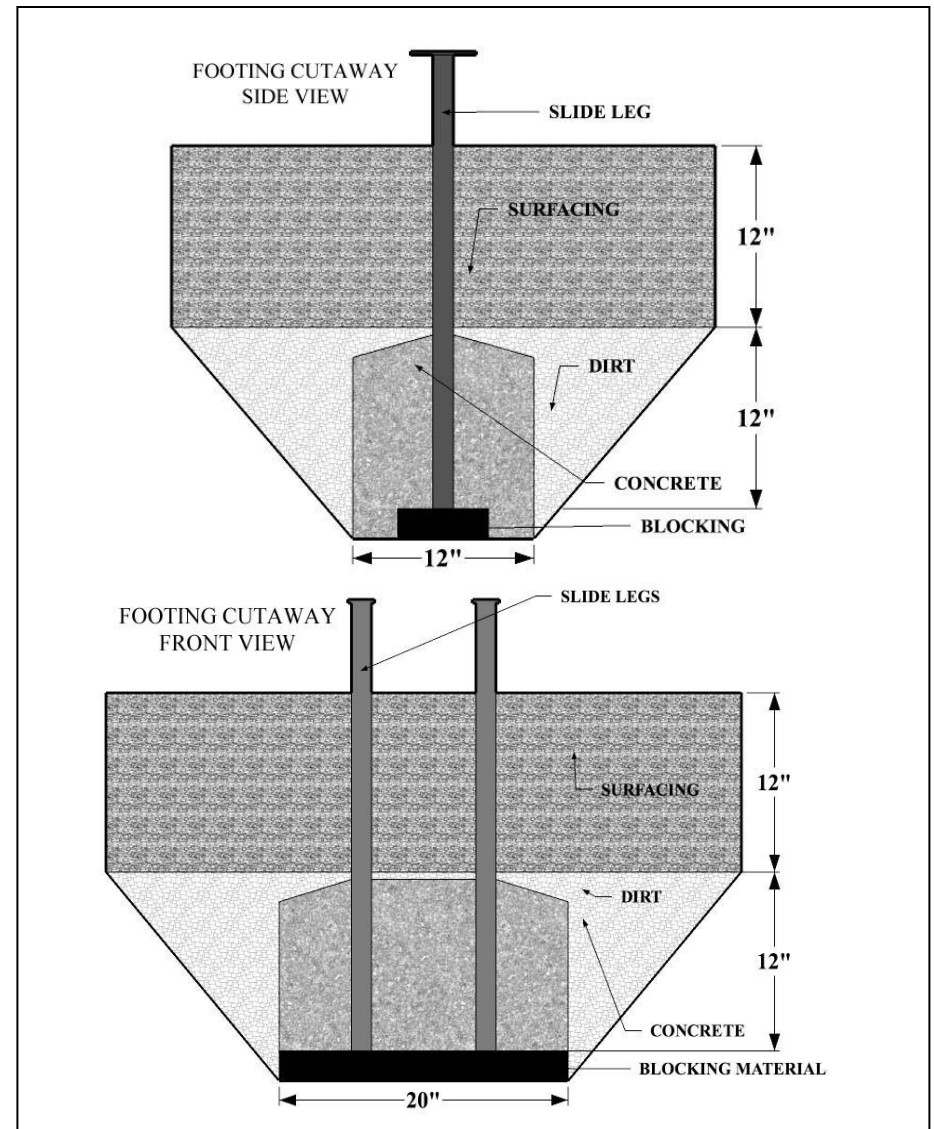
ID	PART #	DESCRIPTION	QTY
1	435-612	Triple Rail Slide 3' Deck	1
2	923-330	Triple Rail Slide Guard	1
3	903-214	Slide Legs	2
4	913-402	4 Hole Attachment Bracket	4
5	905-208	Attachment Bracket Gasket	4
6	905-526	Self Tapping Screws	16
7	126-703	3/8x1" Button Head Bolt	4
8	316-601	3/8" Flat Washers	16
9	126-702bps	3/8"x 3/4" Button Head Bolt	4
10	196-807	3/8"x3/8" Set Screw	4
11	126-704	3/8"x3" Button Head Bolt	2
12	226-602	3/8" Locknut	6
13	905-204	Slide Adaptor Triple Rail Slide	1

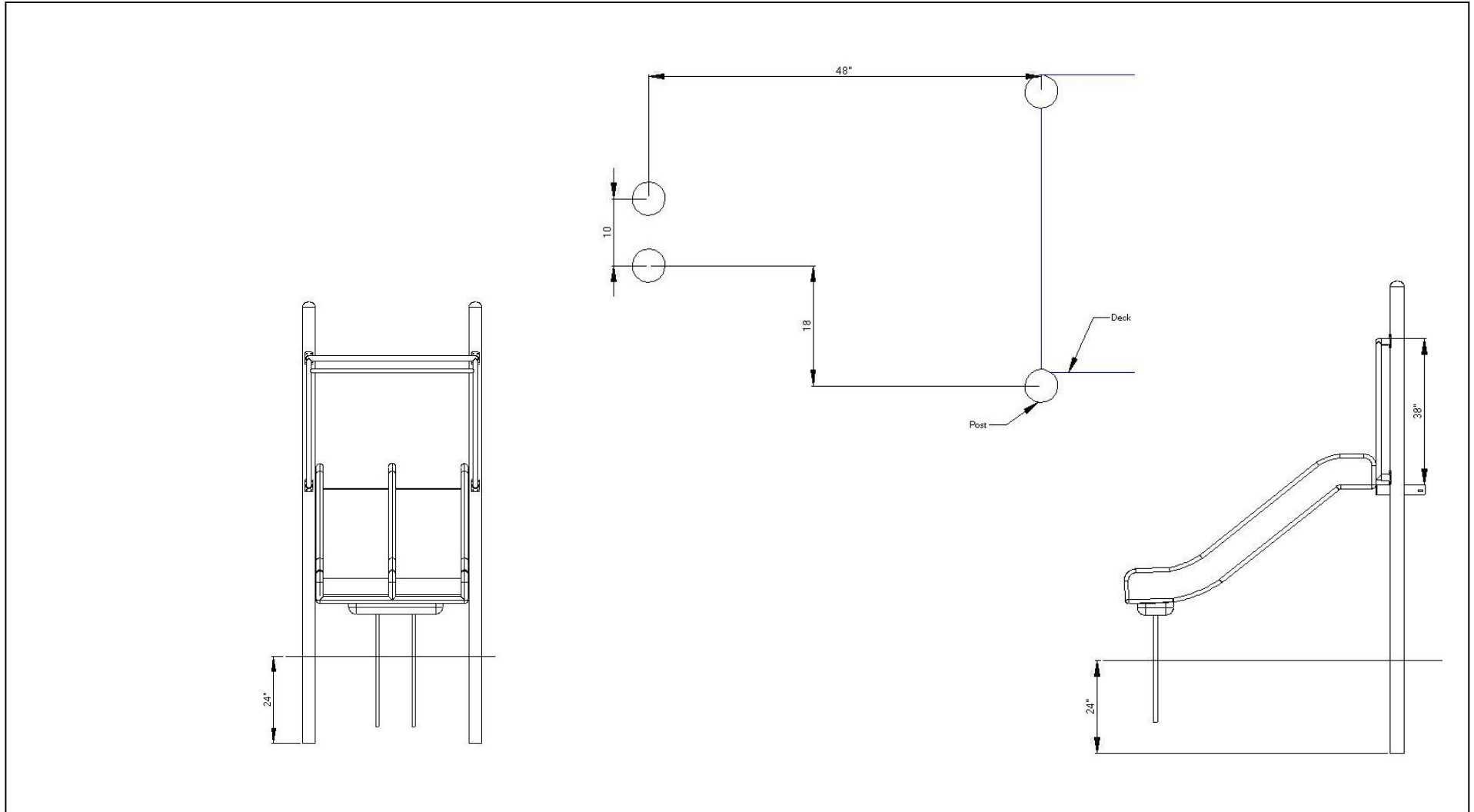
NOTE: Keep a copy of these instructions on file to assist you with maintenance and replacement parts.



FOOTING INFORMATION

- You must place the bottom of the support post or slide leg on a suitable flat blocking material to prevent it from sinking further into the soil. We recommend you use a brick, block of wood or several inches of gravel. The footing depth does not include this blocking material since materials used often vary.
- Total footing depth is 24" less the height of the surfacing plus the height of the blocking material. If you are using 12" of surfacing the footing hole would need to be 12" plus the height of the blocking material (refer to both the side and front cutaway views to the right).
- If the Play structure is installed on an unlevel grade you must adjust the footing depth to accommodate the grade. For instance, if the grade for this component is 1" higher than the surface grade of the main playground post you must dig your footing hole 1" deeper.
- It is the owner/installers responsibility to check local building codes and to comply with those codes. All footing depths listed here are recommendations and local soil types and frost lines may require a deeper and/or wider footing depth. If that's the case you must add more blocking material to accommodate the deeper footing, as the post length will still only be installed at the depth listed in this instruction manual.
- Assemble the entire unit before adding the concrete unless instructed to do so in the individual component instruction sections.







SPECIFICATIONS

- Slide – 3/8” walled rotationally molded LLDPE
- Paint – Electro statically applied & oven cured powder coat
- Hardware – Stainless steel & tamper resistant
- Tube – FloCoat® Galvanized 1 3/8” OD and 1” OD.
- Attachment Bracket – Powder coated cast aluminum

SPECIAL SAFETY & ASTM COMPLIANCE NOTES

- ASTM F1487 5.5.2 the run out slope of slide exit region must be between 0 and -4 degrees.
- ASTM F1487 8.5.5.3 For slides with an elevation of no greater than 48 in., the height of the exit region shall be no greater than 11 in. above the protective surfacing. For slides with an elevation greater than 48 in., the height of the exit region shall be between 7 in. and 15 in. above the protective surfacing.

INSTALLATION TIPS & TROUBLE SHOOTING

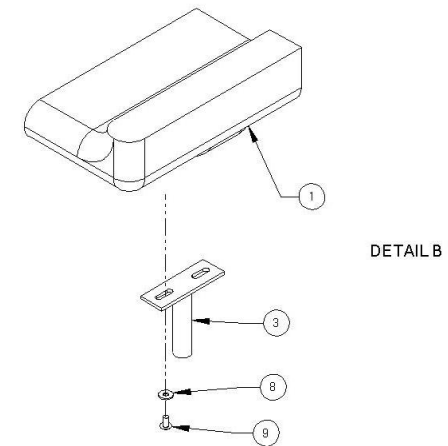
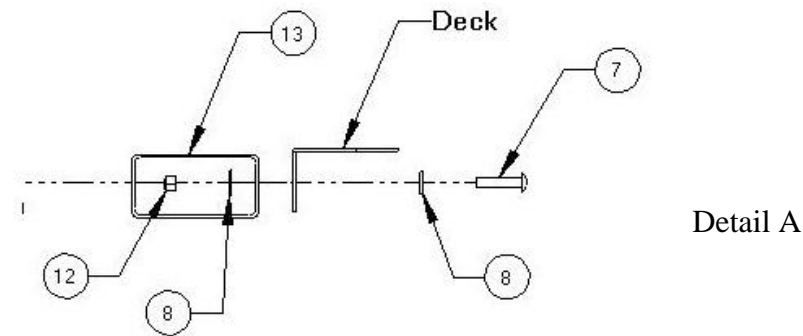
- SportsPlay Equipment Inc. recommends pre-drilling the holes in the post when attaching a four-hole bracket with a number #7 drill bit. This will make the attachment of the four-hole bracket with the self-tapping screws easier and it will prevent damage to the screw head during installation.
- Apply locktite to all bolts during assembly prior to completely tightening them.
- Stainless Steel hardware can occasionally be difficult to use particularly if you need to take them out to make an adjustment. It is recommended that you add a drop of oil to bolts that may have to be removed before you install them.
- Do not tighten bolts all the way until the unit is completely assembled and all components are square and level.
- Identify and separate all parts by referencing the detail drawings and the parts list.
- As you unpack and separate the components use the cardboard sheets that were used for packing and shipping to prevent damage to the components. This is particularly true all Powder Coated and Thermoplastic coated components, by setting the components on top of the cardboard.

BEFORE YOU BEGIN

In addition to the components on the packing list, you will need concrete, shovel, post-hole digger, tape measure, ground marking (for marking the footing location), drill, hex wrenches and a dry erase marker.

INSTALLATION STEPS

- __1. Review all instructions before beginning.**
- __2. Unpack, organize and identify all components.** Be sure to place all painted components on a protective surface (cardboard, cloth, etc...) to prevent damage.
- __3. Dig footing holes.** Referencing the footing cutaway drawings on page 3, the footing layout and elevation views on page 4 of this components instruction set along with the main footing diagram on page 5 of the installation guide, mark and dig the footings as instructed for the slide legs. (Footing depth is 24" less the amount of surfacing used plus the thickness of the blocking material). SportsPlay recommends setting the slide up to the deck and using the slide to mark the position of the slide legs to establish the location of the required footing.
- __4. Attach Slide Adaptor Plate to Deck** by inserting 3/8" x 1" bolt (7) and 3/8" washer (8) through the deck into the slide adaptor plate and securing it with a 3/8" washer (8) and 3/8" locknut (12) see (Detail A).



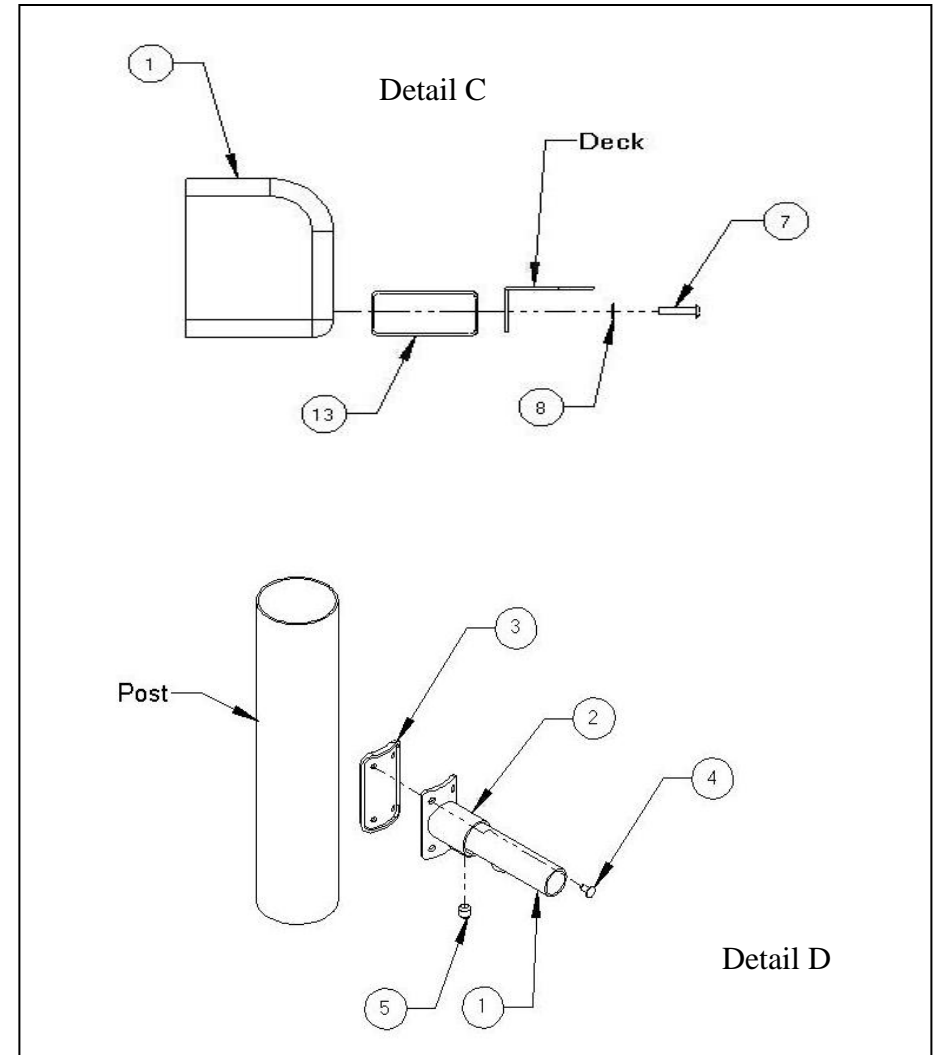
INSTALLATION STEPS CONTINUED

__5. **Attach slide legs (3)** to the bottom of the slide by inserting a 3/8" x 3/4" bolt (9) and 3/8 washer (8) through the plate on the slide leg (3) and into the factory installed nut on the underneath the exit end of the slide (Detail B). Once all bolts are in place you can tighten them. With help, **place the slide legs into the footing holes** and attach the slide to the playground deck,

__6. Using the 3/8 x 1 3/4 bolts (7) and 3/8 washers (8) **attach the slide to the deck** by inserting the bolts and washers through the holes in the deck and into the factory installed nuts at the entrance to the slide (Detail C).

__7. **Measure up the playground post from the deck 38"** and mark that location on both of the playground posts. This mark represents the attachment point for the top of the slide guard (reference the front view drawing on page 2).

__8. **Slide all four of the four-hole attachments brackets on to the ends of the slide guard** (ensure the hole for the set screw on the bracket is facing down). After you have put the brackets onto the slide guard and attached the gaskets (5) put the slide guard in place between the posts by lining up the top of the slide guard with the mark you made on the post in step 7. **Attach the slide guard to the posts** by screwing the self-tapping screws (6) through the four-hole brackets and the gaskets and into the playground post using the Torx bit and drill (Detail D). Repeat step on the remaining three brackets.





INSTALLATION STEPS CONTINUED

__9. **Insert the 3/8 x 3/8 socket set screws (#10)** into the threaded hole on the bottom side of the four-hole attachment brackets (#4) and tighten (Detail C on page 7).

__10. **Level and square the slide** making sure to keep 11” of spacing from the slide bed to the top of the safety surfacing.

__11. Once slide is in position and you have verified its square and level you may **tighten the bolts connecting the slide to the deck.**

__12. **Inspect the components** for sharp edges and if necessary file them down and apply touch up paint.

__13. Once the entire playground has been installed and you have verified that the entire playground is level you can **add the concrete to the footing holes.** Be sure to use concrete with a minimum 2,500 psi and mix the concrete per the manufacturer’s directions before you pour it into the footing hole. Once the footing has been filled with concrete you should rope of the area for a minimum of 48 hours to allow the concrete set properly.

__14. **Once the concrete has set,** back fill dirt over the footing holes: inspect the area and components for tools, hazardous debris and sharp edges. Verify all components are installed and all hardware is tight and then install the safety surfacing.

__15. **Install labeling** as instructed in the appendix of the instruction manual.

INSTALLATION STEPS CONTINUED

TIP: It’s easier to install the self tapping screws if you pre drill the holes in the post with a #7 drill bit by marking the hole locations with a dry erase marker after you have put the guard wall into position.

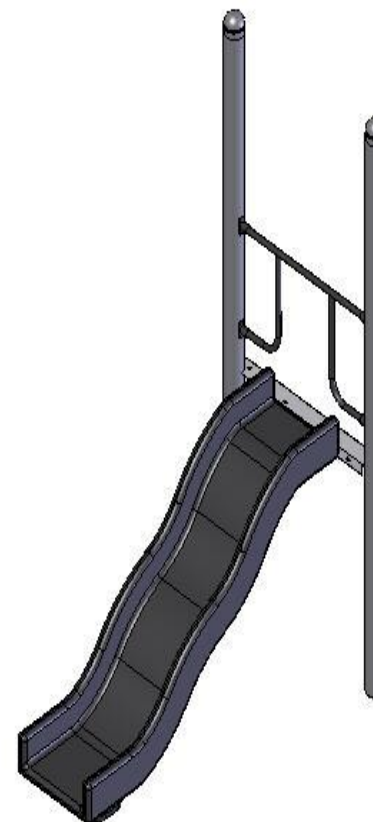
INSTALLATION DETAILS

- Recommended crew: **2**
- Installation time: **2 Hours (4 man hours)**
- User age: **2-12 Years**
- Use zone: **6' on all sides**
- Weight: **4' Slide 902-284 – 67 lbs.**

SURFACING: Use of safety surfacing in compliance with the current ASTM specification F1292 is required.

MAINTENANCE:

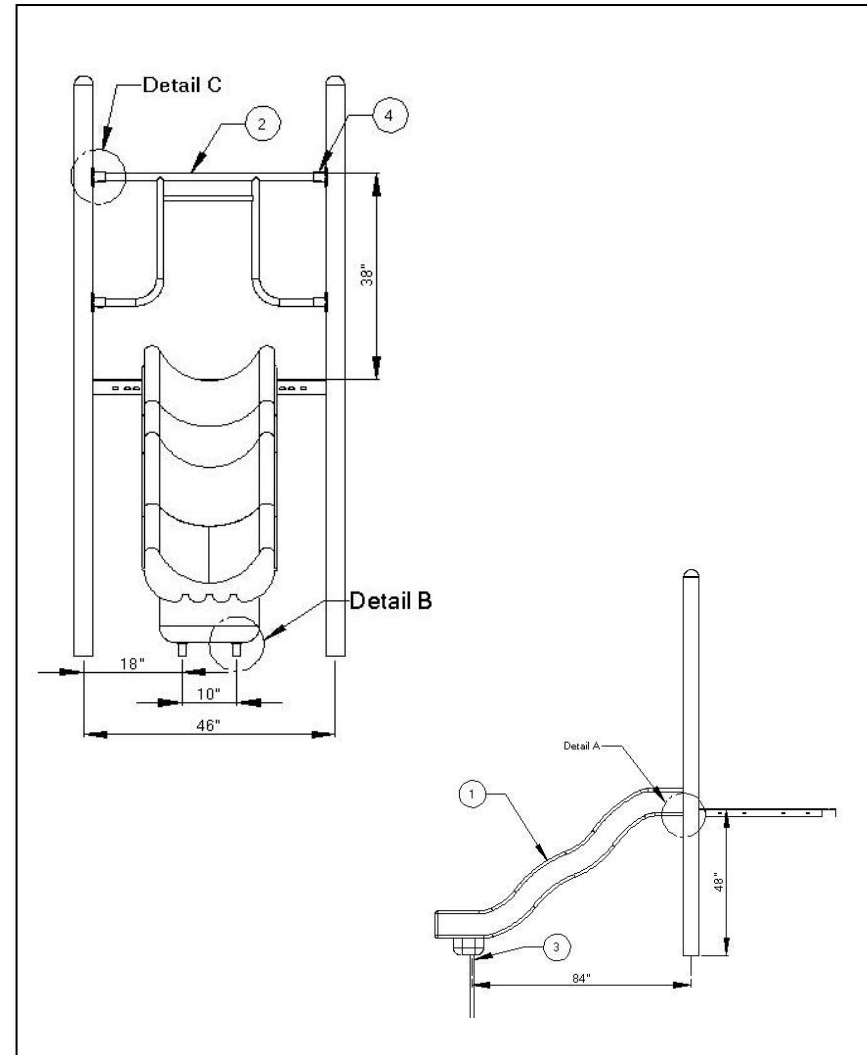
- As the owner of the playground you are responsible for maintenance of the equipment and play area. A maintenance schedule must be developed and the equipment inspected frequently. A maintenance section that includes component specific maintenance requirements is included at the end of this manual.
- Be sure to inspect surfacing for foreign objects that could cause injury and that sufficient surfacing is in place in accordance with ASTM (www.astm.org) and CPSC (www.cpsc.gov) standards.



PARTS LIST

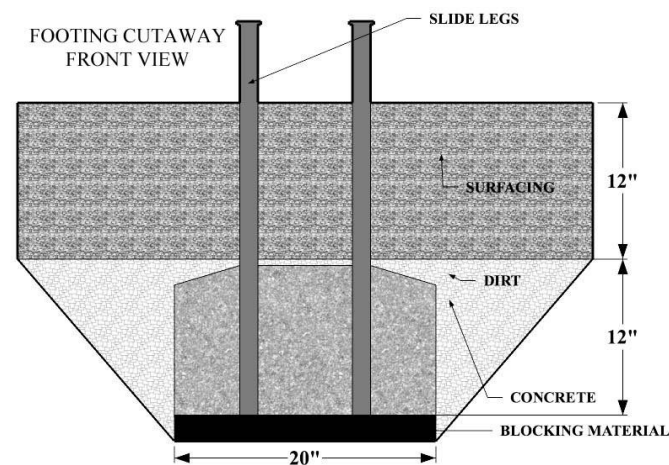
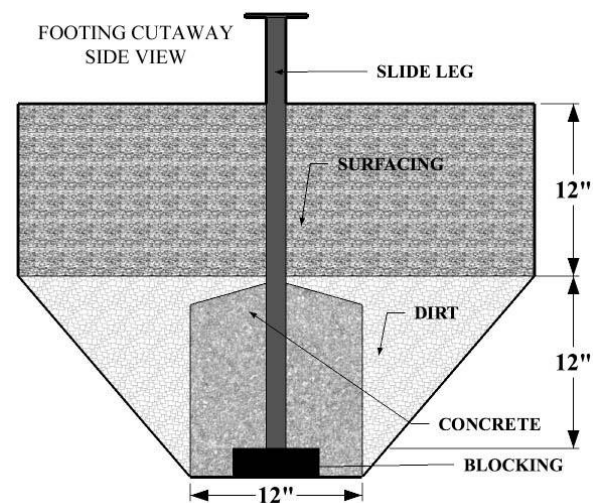
ID	PART #	DESCRIPTION	QTY
1	4' 435-609	Bump Wave Slide	1
2	923-200	Slide Guard	1
3	903-214	Slide Leg	2
4	913-402	Four Hole Attachment Bracket	4
5	905-208	Gasket for Attachment Bracket	4
6	905-526	1/4" Self Tapping Pinned Screw	16
7	126-706	3/8 x 1 3/4 Button Head Bolt	2
8	316-601	3/8 Washer	6
9	126-702	3/8 x 3/4 Button Head Bolt	4
10	196-807	3/8 x 3/8 Socket Set Screw	4

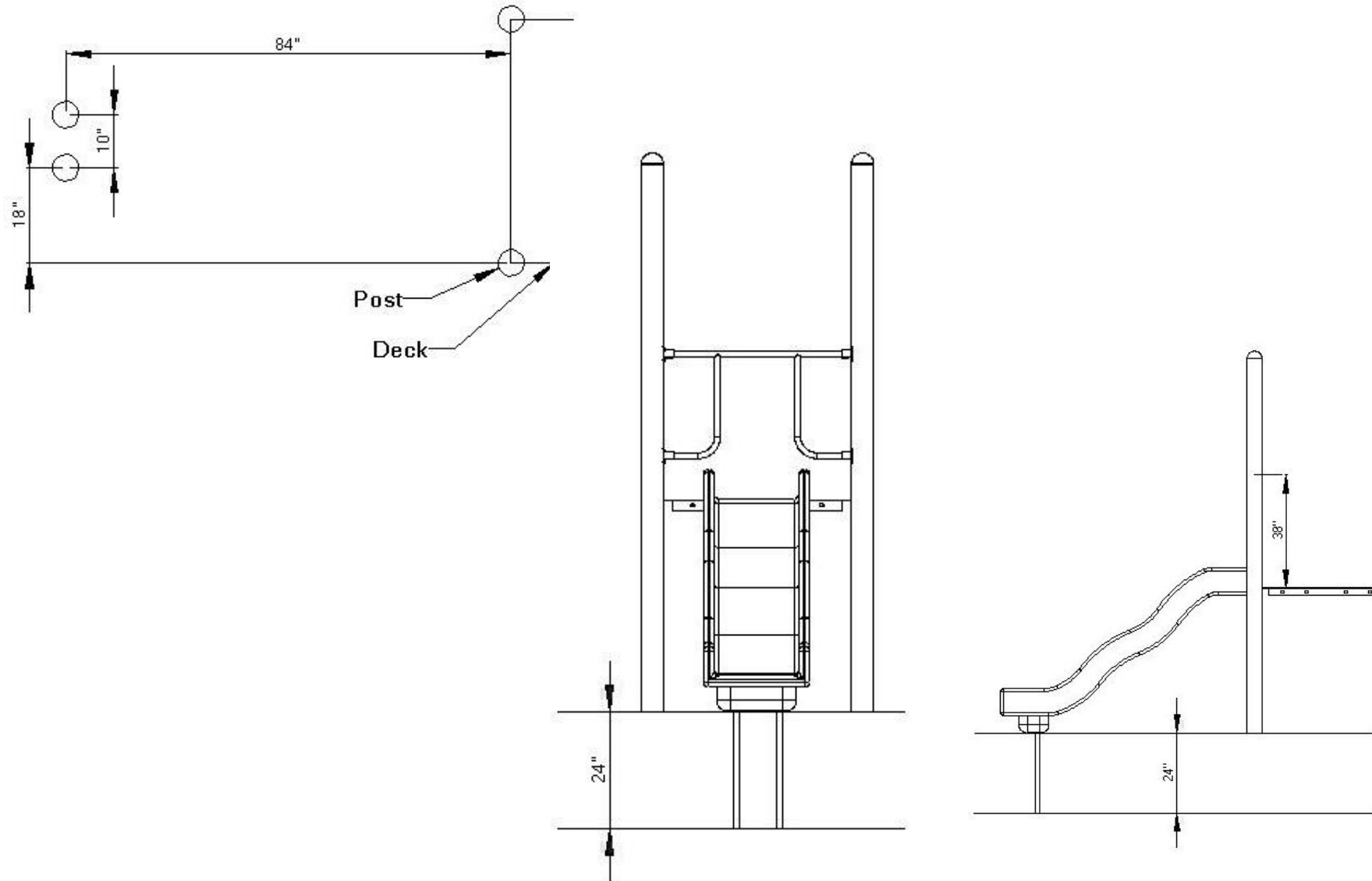
NOTE: Keep a copy of these instructions on file to assist you with maintenance and replacement parts



FOOTING INFORMATION

- You must place the bottom of the support post or slide leg on a suitable flat blocking material to prevent it from sinking further into the soil. We recommend you use a brick, block of wood or several inches of gravel. The footing depth does not include this blocking material since materials used often vary.
- Total footing depth is 24" less the height of the surfacing plus the height of the blocking material. If you were using 12" of surfacing the footing hole would need to be 12" plus the height of the blocking material (refer to both the side and front cutaway views to the right).
- If the Play structure is installed on an unlevel grade you must adjust the footing depth to accommodate the grade. For instance, if the grade for this component is 1" higher than the surface grade of the main playground post you must dig your footing hole 1" deeper.
- It is the owner/installers responsibility to check local building codes and to comply with those codes. All footing depths listed here are recommendations and local soil types and frost lines may require a deeper and/or wider footing depth. If that's the case you must add more blocking material to accommodate the deeper footing, as the post length will still only be installed at the depth listed in this instruction manual.
- Assemble the entire unit before adding the concrete unless instructed to do so in the individual component instruction sections.







SPECIFICATIONS

- Slide – 3/8” walled rotationally molded LLDPE
- Paint – Electrostatically applied & oven cured powdercoat
- Hardware – Stainless steel & tamper resistant
- Tube – FloCoat® Galvanized 1 3/8” OD and 1” OD.
- Attachment Bracket – Powder coated cast aluminum

SPECIAL SAFETY COMPLIANCE NOTES

- ASTM F1487 8.5.5.2 The run out slope of slide exit region must be between 0 and -4 degrees.
- ASTM F 1487 8.5.5.3 For slides with an elevation of no greater than 48 in., the height of the exit region shall be no greater than 11 in. above the protective surfacing. For slides with an elevation greater than 48 in., the height of the exit region shall be between 7 in. and 15 in. above the protective surfacing

INSTALLATION TIPS & TROUBLE SHOOTING

- SportsPlay Equipment Inc. recommends pre-drilling the holes in the post when attaching a four-hole bracket with a number #7 drill bit. This will make the attachment of the four-hole bracket with the self-tapping screws easier and it will prevent damage to the screw head during installation.
- Apply locktite to all bolts during assembly prior to completely tightening them.
- Stainless Steel hardware can occasionally be difficult to use particularly if you need to take it out to make an adjustment. It is recommended that you add a drop of oil to bolts that may have to be removed before you install it.
- Do not tighten bolts all the way until the unit is completely assembled and all components are square and level.
- Identify and separate all parts by referencing the detail drawings and the parts list.
- As you unpack and separate the components use the cardboard sheets that were used for packing and shipping to prevent damage to the components. This is particularly true for all Powder Coated and Thermoplastic coated components, by setting the components on top of the cardboard.

BEFORE YOU BEGIN

In addition to the components on the packing list, you will need concrete, shovel, post-hole digger, tape measure, ground marking (for marking the footing location), drill, hex wrenches and a dry erase marker.

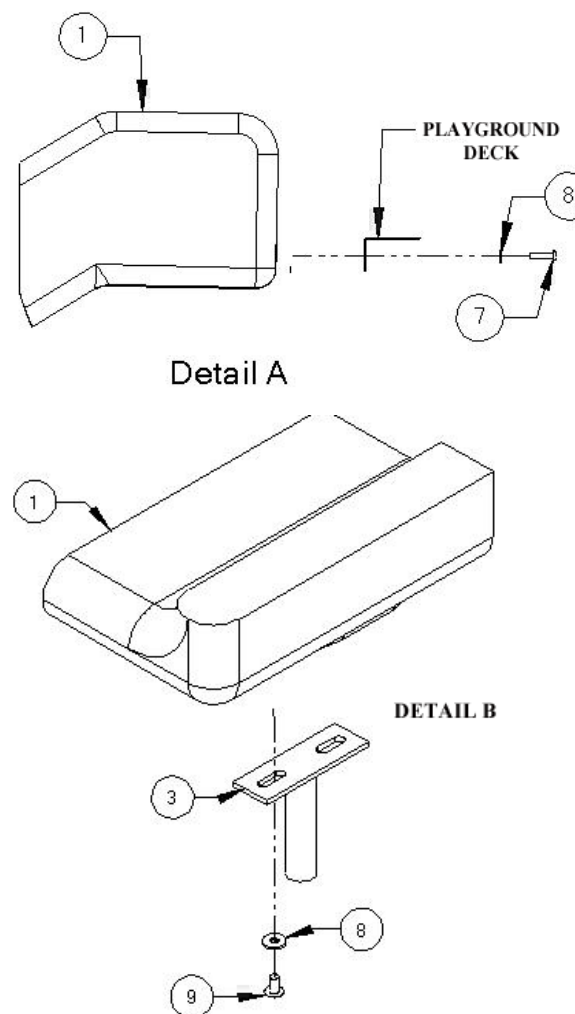
INSTALLATION STEPS

__1. Review all instructions before beginning.

__2. Unpack, organize and identify all components. Be sure to place all painted components on a protective surface (cardboard, cloth, etc...) to prevent damage.

__3. Dig footing holes. Referencing the footing cutaway drawings on page 3, the footing layout and elevation views on page 4 of this components instruction set along with the main footing diagram on page 5 of the installation guide, mark and dig the footings as instructed for the slide legs. (Footing depth is 24" less the amount of surfacing used plus the thickness of the blocking material). SportsPlay recommends setting the slide up to the deck and using the slide to mark the position of the slide legs to establish the location of the required footing.

__4. Attach slide legs (#3) to the bottom of the slide by inserting a 3/8" x 3/4" bolt (#9) and 3/8" washer (#8) through the plate on the slide leg (#3) and into the factory installed nut on the underneath the exit end of the slide (Detail B). Once all bolts are in place you can tighten them.



INSTALLATION STEPS CONTINUED

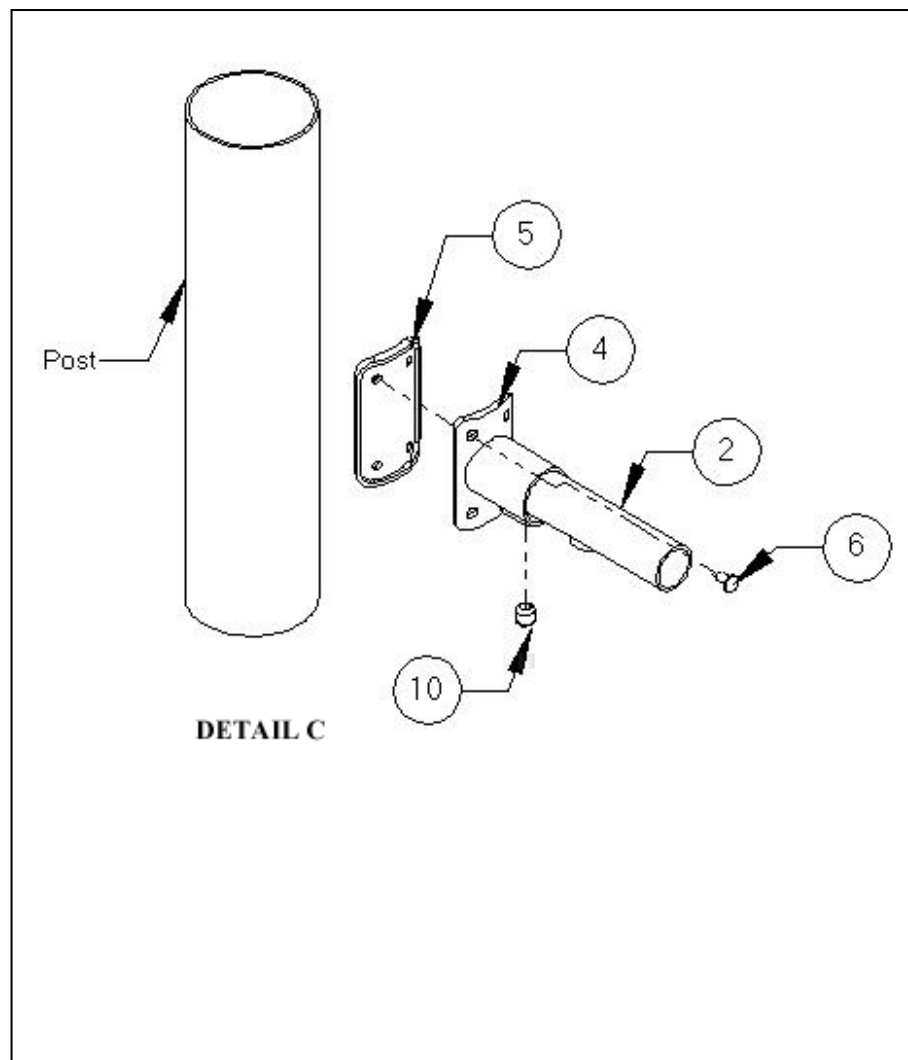
__5. With help, **place the slide legs into the footing holes** and attach the slide to the playground deck.

__6. Using the 3/8" x 1 3/4" bolts (#7) and 3/8" washers (#8) **attach the slide to the deck** by inserting the bolts and washers through the holes in the deck and into the factory installed nuts at the entrance to the slide (Detail A on page 6).

__7. **Measure up the playground post from the deck 38"** and mark that location on both of the playground posts. This mark represents the attachment point for the top of the slide guard (reference the front view drawing on page 2).

__8. **Slide all four of the four-hole attachment brackets on to the ends of the slide guard** (ensure the hole for the set screw on the bracket is facing down). After you have put the brackets onto the slide guard and attached the gaskets (#5) put the slide guard in place between the posts by lining up the top of the slide guard with the mark you made on the post in step 7. **Attach the slide guard to the posts** by screwing the self-tapping screws (#6) through the four-hole brackets and gaskets and into the playground post using the Torx bit and drill (Detail C). Repeat step on the remaining three brackets.

TIP: It's easier to install the self tapping screws if you pre drill the holes in the post with a #7 drill bit by marking the hole locations with a dry erase marker after you have put the guard wall into position.





INSTALLATION INSTRUCTIONS CONTINUED

__9. **Insert the 3/8" x 3/8" socket set screws (#10)** into the threaded hole on the bottom side of the four-hole attachment brackets (#4) and tighten (Detail C on page 7).

__10. **Level and square the slide** making sure to keep 11" of spacing from the slide bed to the top of the safety surfacing.

__11. Once slide is in position and you have verified its square and level you may **tighten the bolts connecting the slide to the deck.**

__12. **Inspect the components** for sharp edges and if necessary file them down and apply touch up paint.

__13. Once the entire playground has been installed and you have verified that the entire playground is level you can **add the concrete to the footing holes.** Be sure to use concrete with a minimum 2,500 psi and mix the concrete per the manufacturers directions before you pour it into the footing hole. Once the footing has been filled with concrete you should rope of the area for a minimum of 48 hours to allow the concrete set properly.

__14. **Once the concrete has set,** back fill dirt over the footing holes; inspect the area and components for tools, hazardous debris and sharp edges. Verify all components are installed and all hardware is tight and then install the safety surfacing.

__15. **Install labeling** as instructed in the appendix of the instruction manual.

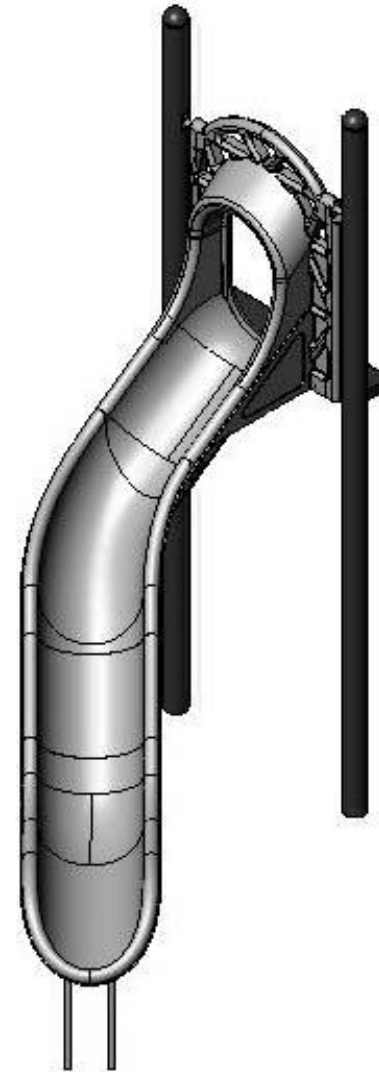
INSTALLATION DETAILS

- Recommended crew (Adult): 2
- Installation time: **1.5 (3 man hrs)**
- User age: **2-12**
- Use zone: **72 in from all sides of unit**
- Weight: **530**

SURFACING: Use of safety surfacing in compliance with ASTM specification F1292 is required.

MAINTENANCE:

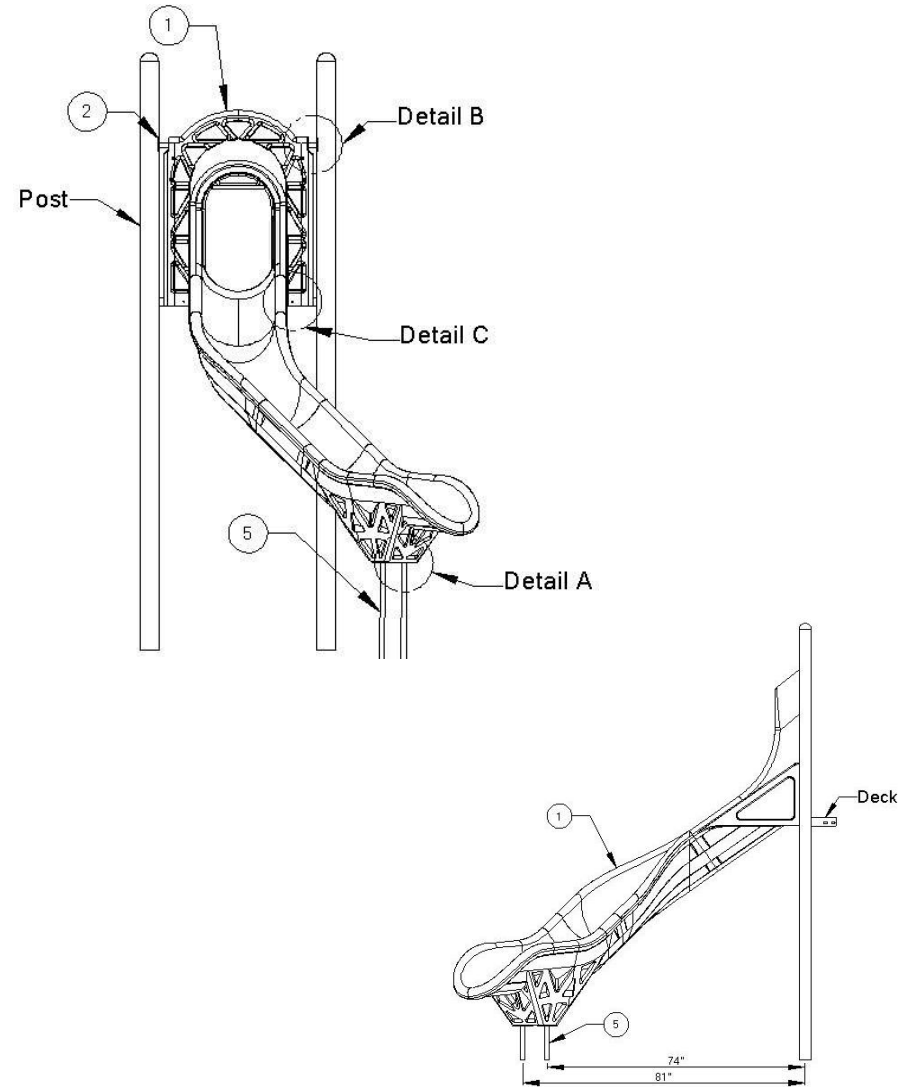
- As the owner of the playground you are responsible for maintenance of the equipment and play area. A maintenance schedule must be developed and the equipment inspected frequently. A maintenance section that includes component specific maintenance requirements is included at the end of this manual.
- Be sure to inspect surfacing for foreign objects that could cause injury and that sufficient surfacing is in place in accordance with ASTM and CPSC standards.



PARTS LIST

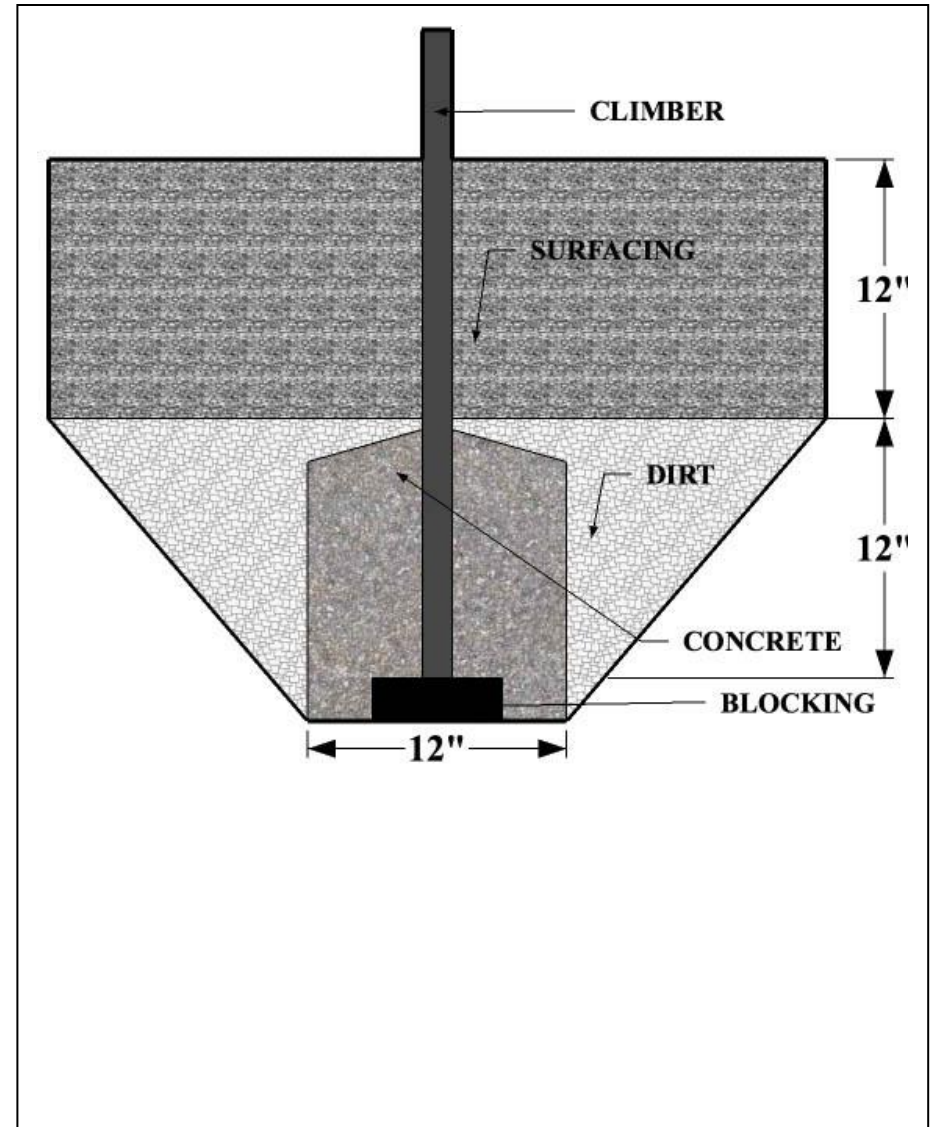
ID	PART #	DESCRIPTION	QTY
1	435-640	Star Gate Sectional Slide	1
2	913-434	Bracket for Sectional Slide	2
3	905-208	Attachment Bracket Gasket	2
4	905-526	Self-Tapping Screw	8
5	903-214	"T" Leg for Slide	2
6	126-702bps	3/8" x 3/4" Button Head Bolt	4
7	316-601	3/8" Flat Washer	8
8	126-708	3/8" X 2 1/4" Button Head Bolt	2
9	226-602	3/8" Lock Nut	2

NOTE: Keep a copy of these instructions on file to assist you with maintenance and replacement parts.

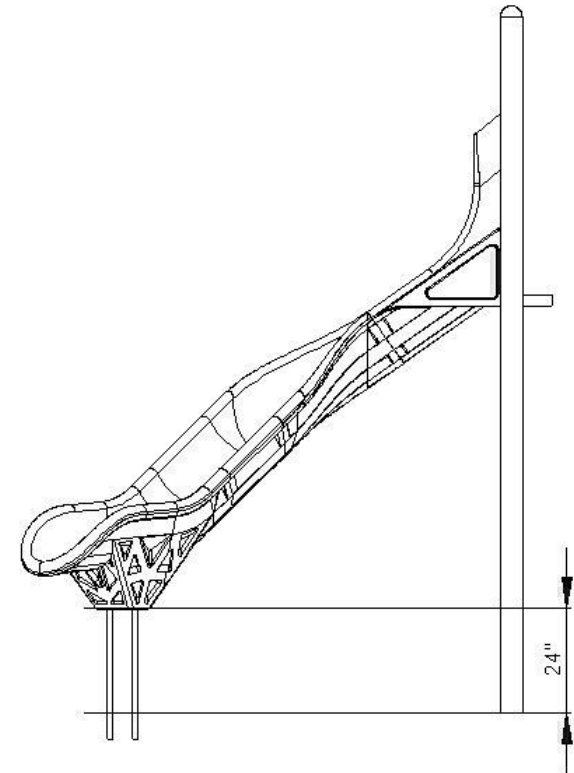
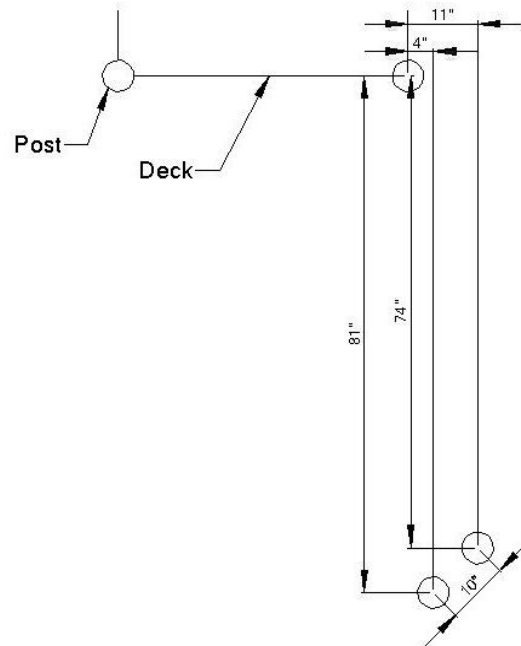
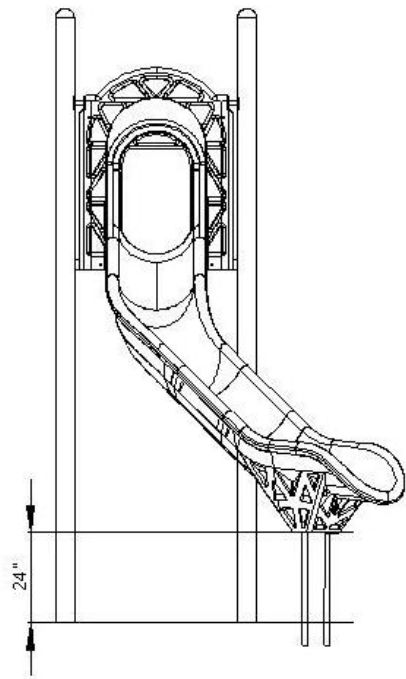


FOOTING INFORMATION

- Total footing depth is 24" less the height of the surfacing plus the height of the blocking material. If you are using 12" of surfacing the footing hole would need to be 12" plus the height of the blocking material (refer to both the side and front cutaway views to the right).
- If the Play structure is installed on an unlevel grade you must adjust the footing depth to accommodate the grade. For instance, if the grade for this component is 1" higher than the surface grade of the main playground post you must dig your footing hole 1" deeper.
- You must place the bottom of the support post or slide leg on a suitable flat blocking material to prevent it from sinking further into the soil. We recommend you use a brick, block of wood or several inches of gravel. The footing depth does not include this blocking material since materials used often vary.
- It is the owner/installers responsibility to check local building codes and to comply with those codes. All footing depths listed here are recommendations and local soil types and frost lines may require a deeper and/or wider footing depth. If that's the case you must add more blocking material to accommodate the deeper footing, as the post length will still only be installed at the depth listed in this instruction manual.
- Assemble the entire unit before adding the concrete unless instructed to do so in the individual component instruction sections.



**CURVED SECTIONAL
SLIDE FOOTING AND
ELEVATION**





SPECIFICATIONS

- **Paint** – Electrostatically applied & oven cured powder coat
- **Hardware** – Stainless steel & tamper resistant
- **Tube** – FloCoat® Galvanized Steel Tubing
- **Star Gate Sectional Slide**-Roto-Molded Plastic.
- **Bracket for Sectional Slide:**

SPECIAL SAFETY & ASTM COMPLIANCE NOTES

- **CRITICAL MEASUREMENT** IT IS EXTREMELY IMPORTANT THAT YOU MAINTAIN A MAXIMUM OF 3 1/2" DISTANCE BETWEEN THE BOTTOM, OR SIDES OF THE SECTIONAL SLIDE ENTRANCE WALL AND THE NEAREST EDGE OF THE POSTS.

INSTALLATION TIPS & TROUBLE SHOOTING

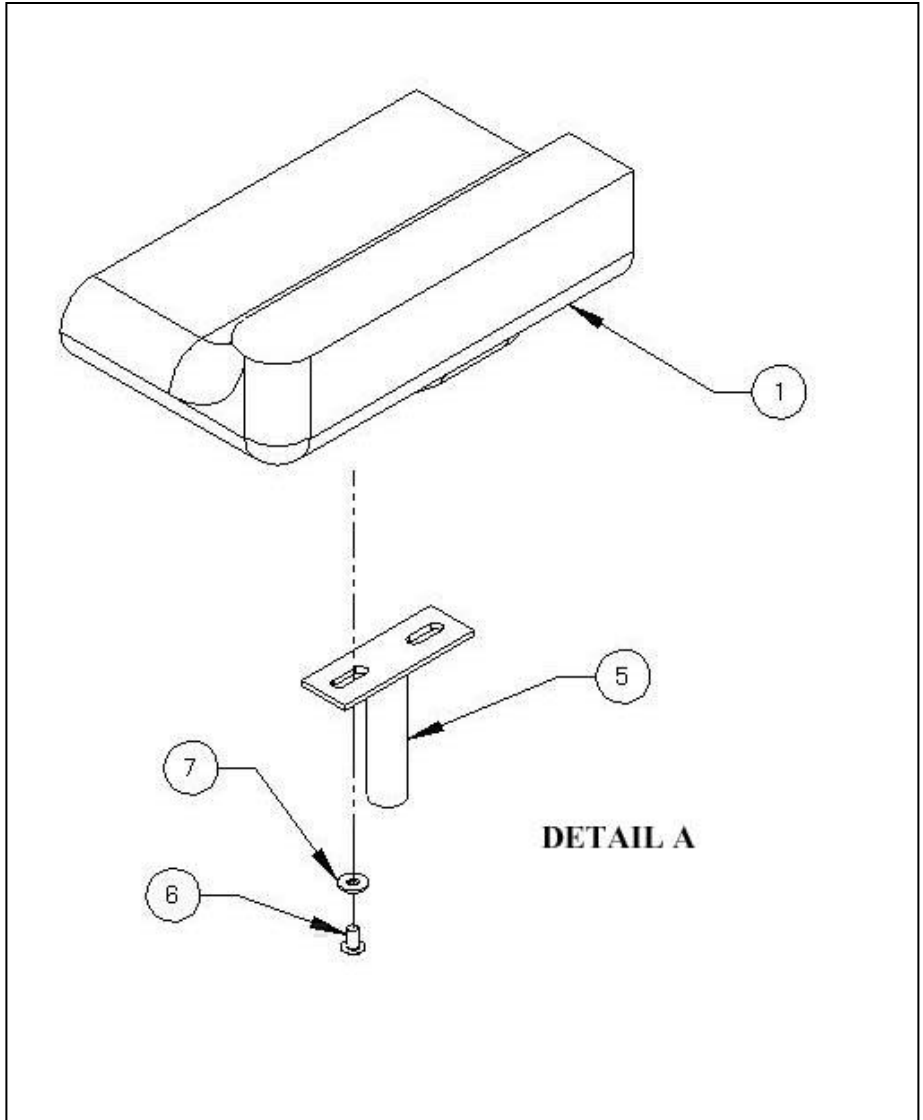
- SportsPlay Equipment Inc. recommends pre-drilling the holes in the post when attaching a four-hole bracket with a number #7 drill bit. This will make the attachment of the four-hole bracket with the self-tapping screws easier and it will prevent damage to the screw head during installation.
- Apply locktite to all bolts during assembly prior to completely tightening them.
- Stainless Steel hardware can occasionally be difficult to use particularly if you need to take them out to make an adjustment. It is recommended that you add a drop of oil to bolts that may have to be removed before you install them.
- Do not tighten bolts all the way until the unit is completely assembled and all components are square and level.
- Identify and separate all parts by referencing the detail drawings and the parts list.
- As you unpack and separate the components, use the cardboard sheets that were used for packing and shipping to prevent damage to the components. This is particularly true all Powder Coated and Thermoplastic coated components, by setting the components on top of the cardboard.

BEFORE YOU BEGIN

In addition to the components on the packing list you will need a drill with a #7 drill bit, 1/2" drill bit, tape measure, post hole digger, blocking material, level, and a dry erase marker.

INSTALLATION STEPS

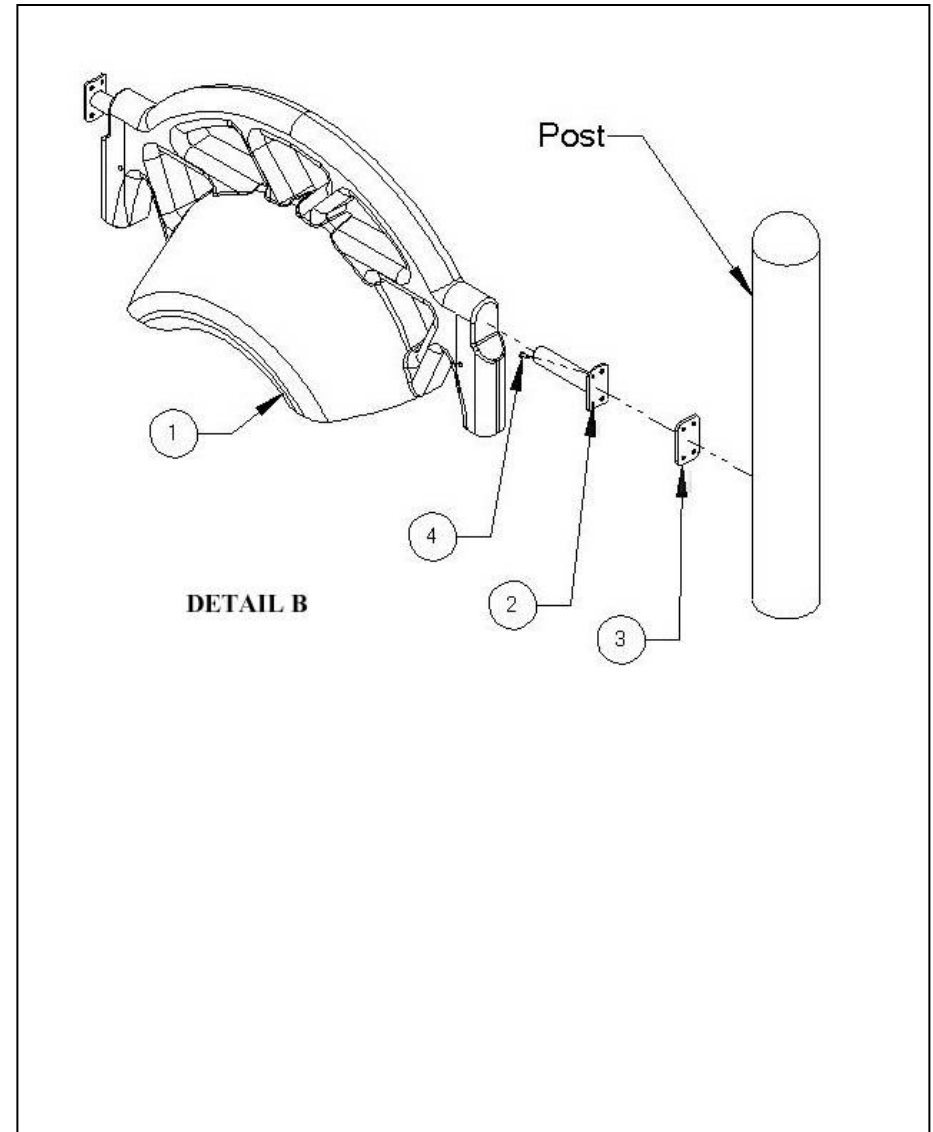
- __1) **Review all instructions before beginning:**
- __2) **Unpack, organize, and identify all components:** Be sure to place all painted components on a protective surface (cardboard, cloth, etc...) to prevent damage.
- __3) **Locate placement of the Sectional Slide:** See top down view of your instruction booklet.
- __4) **Dig the footing holes for the "T" legs:** Refer to the footing diagram of the instruction manual for this measurement.
- __5) **Attach the "T" Legs for Slide:** You will need the two, "T" legs for slide (5), four, 3/8" x 3/4" Button Head Bolt (6), and four 3/8" Flat Washers (7). Place a 3/8" Flat Washer onto a 3/8" x 3/4" Button Head Bolt. In the bottom, underneath, of the slide there will be four threaded inserts that the 3/8" bolts will attach to. Repeat this until the two "T" Legs for Slide are attached to the slide.
(See detail A)



INSTALLATION STEPS CONTINUED

__5) Layout the holes for the Brackets for Sectional Slide: To do this you will need to insert the Brackets for Sectional Slide (2) into the Sectional Slide (1). There is a 1 5/8" hole drilled into the top of the Sectional Slide that the Brackets for Sectional Slide will fit into. (See detail B) With help place the Sectional Slide between the posts, make sure that the "T" legs for slide are in the footing hole. Slide the Brackets for Sectional Slide out to the posts and mark the holes in the brackets. Remove the slide and drill the holes with a #7 drill bit.

__6) Attach the Brackets for Sectional Slide to the posts: You will need the two, Attachment Bracket Gaskets (3) and the eight, Self-Tapping Screws (4). Place the slide into the proper position and secure the Brackets for Sectional Slide to the posts with the Self Tapping Screws, making sure that the Attachment Bracket Gasket is between the post and the Brackets for Sectional Slide. (See detail B)

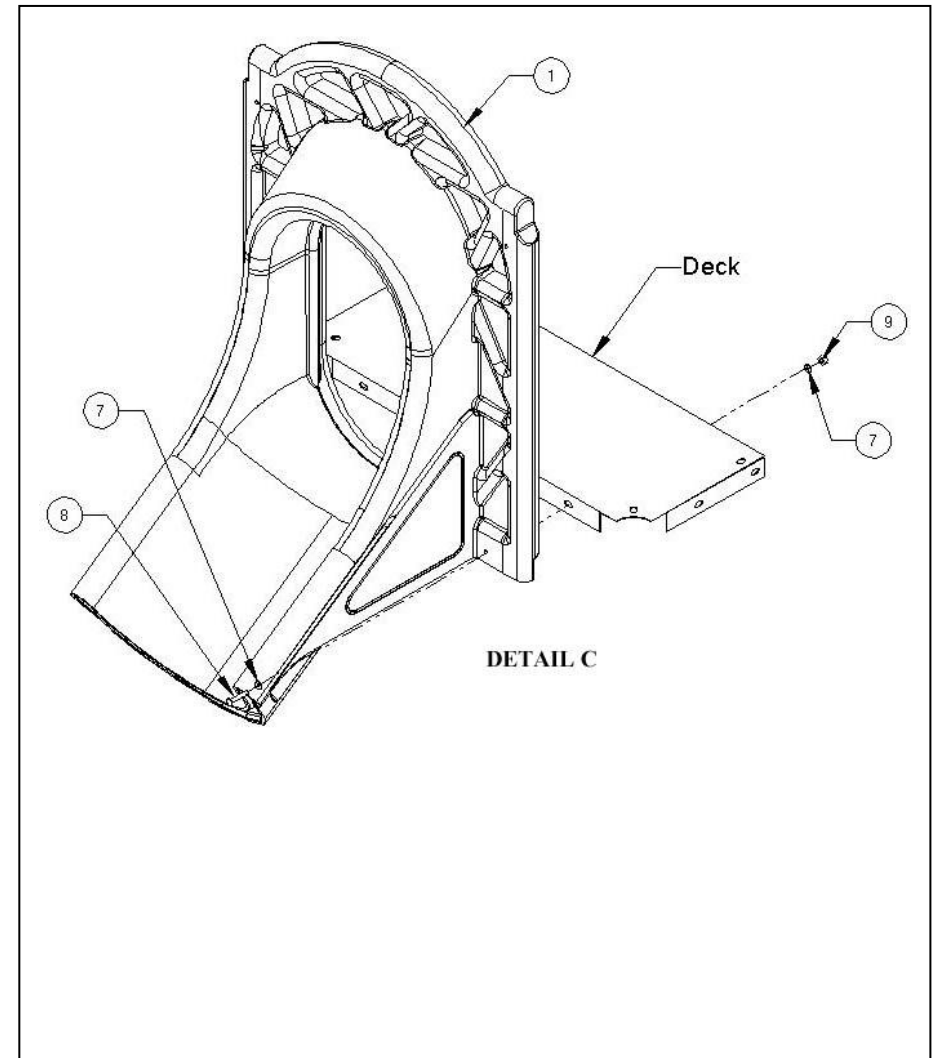


INSTALLATION STEPS CONTINUED

__7) **Attach the Sectional Slide to the deck:** To do this you will need four, 3/8" Flat Washers (7), two 3/8" X 2 1/4" Button Head Bolts (8), and two 3/8" Lock Nuts. Center the Sectional Slide between the posts. CRITICAL MEASUREMENT IT IS EXTREMELY IMPORTANT THAT YOU MAINTAIN A MAXIMUM OF 3 1/2" DISTANCE BETWEEN THE SIDES OF THE SECTIONAL SLIDE ENTRANCE WALL AND THE NEAREST EDGE OF THE POSTS. With the Sectional Slide centered drill a 1/2" hole through each of the outer slots, in the deck and through the Sectional Slide. Place on 3/8" Flat Washer onto both of the 3/8" X 2 1/4" Button Head Bolts. Insert the bolt and washer through the slide and deck. Secure the bolt with a 3/8" Flat Washer and 3/8" Lock Nut. Repeat this for the opposite side of the deck. (See Detail C)

__8) **Set the slide bed height:** You will need to use blocking material to hold the slide at the proper height. To determine the height, place a level in the slide bed. It needs to be set slightly off level to make sure that no water will stand at the exit of the slide.

__9) Once the entire playground has been installed and you have verified that the entire playground is level you can **add the concrete to the footing holes**. Be sure to use concrete with a minimum 2,500 psi and mix the concrete per the manufacturer's directions before you pour it into the footing hole. Once the footing has been filled with concrete you should rope of the area for a minimum of 48 hours to allow the concrete set properly.





INSTALLATION STEPS CONTINUED

__10) **Once the concrete has set**, back fill dirt over the footing holes; inspect the area and components for tools, hazardous debris and sharp edges. Verify all components are installed and all hardware is tight and then install the safety surfacing.

__11) **Inspect the components:** for sharp edges and if necessary file them down and apply touch up paint.



THIS PAGE WAS INTENTIONALLY LEFT BLANK

INSTALLATION DETAILS

- Recommended crew (Adult): 2
- Installation time: **1 hr (2 man hrs)**
- User age: **2-12**
- Use zone: **72 in. in front of climber**
72 in to right and left of climber
- Weight: **99**

SURFACING: Use of safety surfacing in compliance with ASTM specification F1292 is required.

MAINTENANCE:

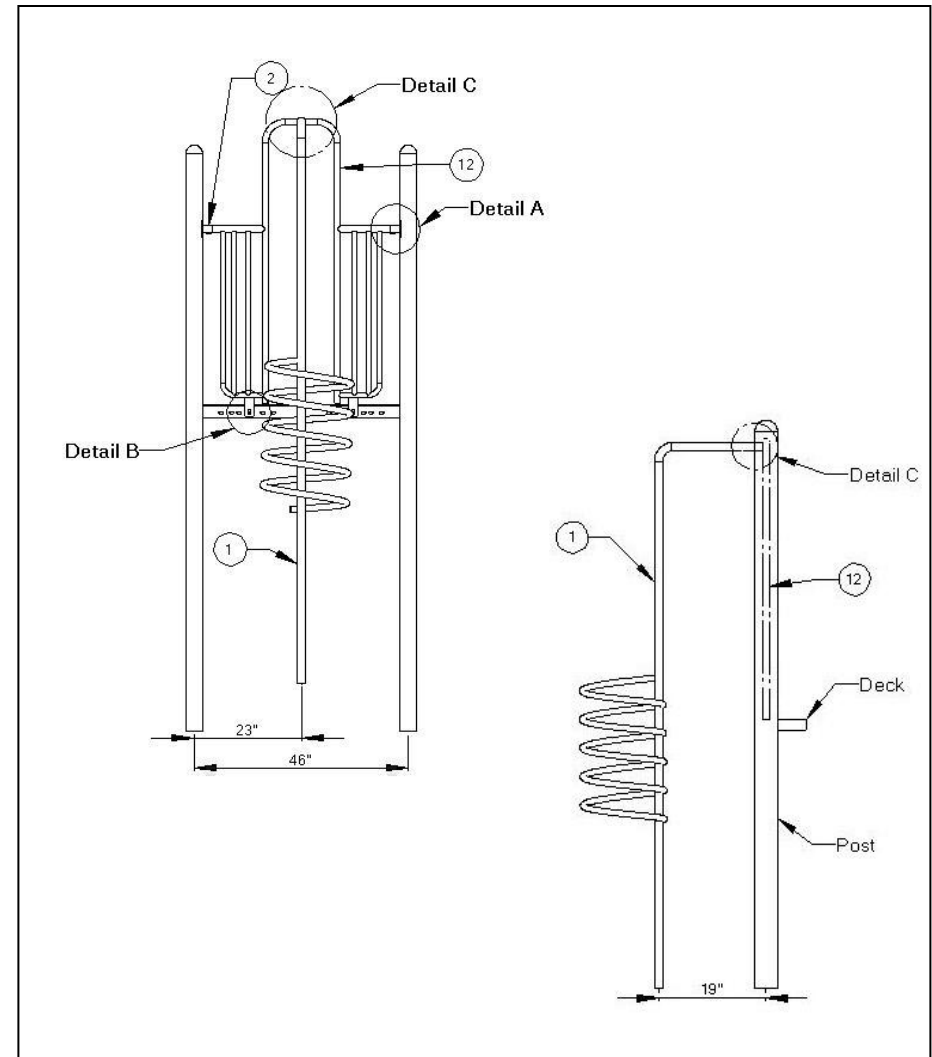
- As the owner of the playground you are responsible for maintenance of the equipment and play area. A maintenance schedule must be developed and the equipment inspected frequently. A maintenance section that includes component specific maintenance requirements is included at the end of this manual.
- Be sure to inspect surfacing for foreign objects that could cause injury and that sufficient surfacing is in place in accordance with ASTM and CPSC standards.



PARTS LIST

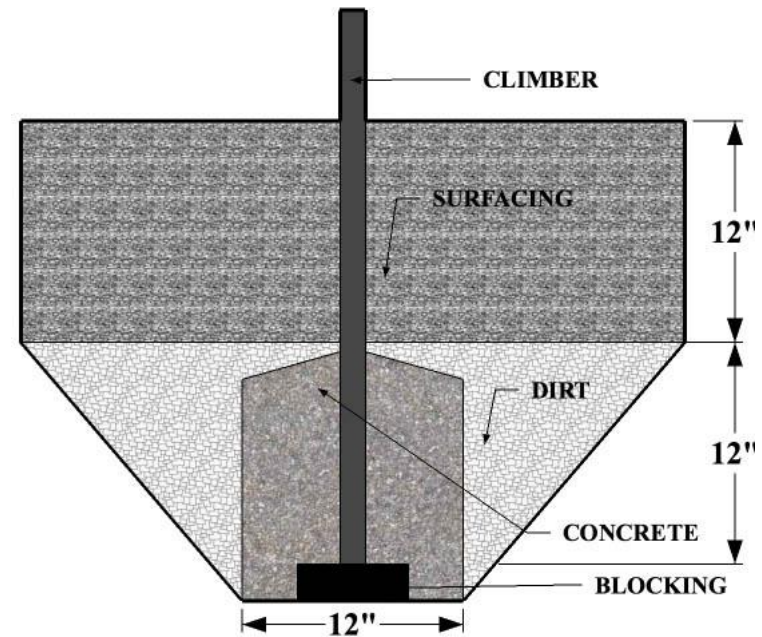
ID	PART #	DESCRIPTION	QTY
1	913-445	Corkscrew 5' deck	1
2	913-402	Four-Hole Attachment Bracket	2
3	905-208	Attachment Bracket Gasket	2
4	905-526	Self-Tapping Screw	8
5	196-807	3/8"x3/8" Set Screw	2
6	126-703	3/8"x1" Button Head Bolt	2
7	316-601	3/8" Flat Washer	4
8	226-602	3/8" Lock Nut	2
9	116-538	5/16"x1 3/4" Button Head Bolt	1
10	216-512	5/16"x1" Button Head Nut	1
11	326-501	5/16" Lock Washer	1
12	923-214	Arch Wall	1

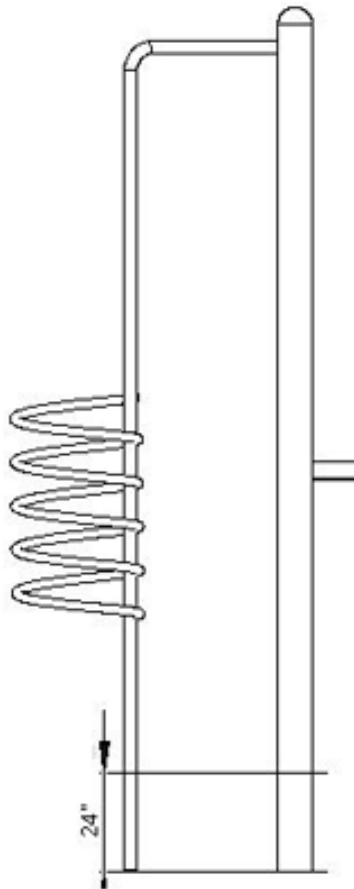
NOTE: Keep a copy of these instructions on file to assist you with maintenance and replacement parts.



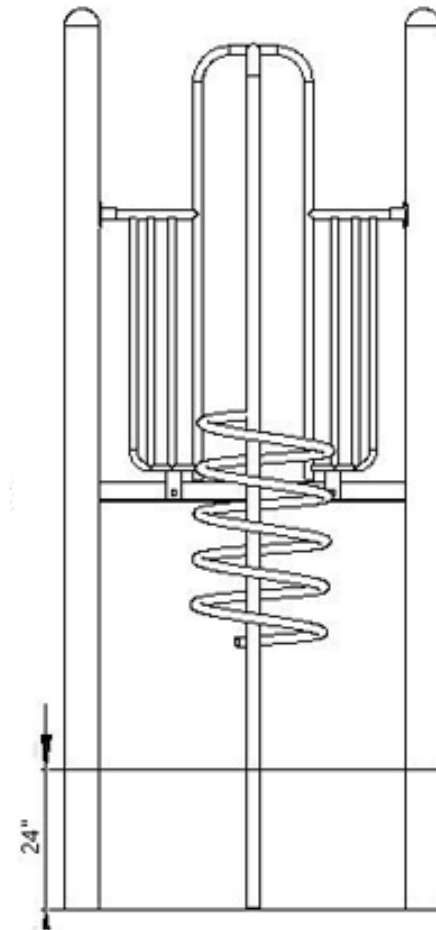
FOOTING INFORMATION

- Total footing depth is 24" less the height of the surfacing plus the height of the blocking material. If you were using 12" of surfacing the footing hole would need to be 12" plus the height of the blocking material (refer to the cutaway view to the right). Hole is 19" out from the post at the center of the deck edge (refer to the side view on page 2)
- If the Play structure is installed on an unlevel grade you must adjust the footing depth to accommodate the grade. For instance, if the grade for this component is 1" higher than the surface grade of the main playground post you must dig your footing hole 1" deeper.
- You must place the bottom of the post on a suitable flat blocking material to prevent it from sinking further into the soil. We recommend you use a brick, block of wood or several inches of gravel. The footing depth does not include this blocking material since materials used often vary.
- It is the owner/installers responsibility to check local building codes and to comply with those codes. All footing depths listed here are recommendations and local soil types and frost lines may require a deeper and/or wider footing depth. If that's the case you must add more blocking material to accommodate the deeper footing, as the post length will still only be installed at the depth listed in this instruction manual.
- Assemble the entire unit before adding the concrete unless instructed to do so in the individual component instruction sections.





**922-120-5
5' CORKSCREW
CLIMBER**





SPECIFICATIONS

- Paint – Electrostatically applied & oven cured powder coat
- Hardware – Stainless steel & tamper resistant
- Tube – FloCoat® Galvanized 1 3/8” OD and 1” OD.
- Attachment Bracket – Powder coated cast aluminum
- Corkscrew Climber–1 7/8” O.D. tube with 1 3/8 O.D. rolled tube welded to 1 7/8” tube
- Arch Wall-1 7/8”, 1 3/8”, and 1” O.D. tube MIG welded together

INSTALLATION TIPS & TROUBLE SHOOTING

- SportsPlay Equipment Inc. recommends pre-drilling the holes in the post when attaching a four-hole bracket with a number #7 drill bit. This will make the attachment of the four-hole bracket with the self-tapping screws easier and it will prevent damage to the screw head during installation.
- Apply locktite to all bolts during assembly prior to completely tightening them.
- Stainless Steel hardware can occasionally be difficult to use particularly if you need to take them out to make an adjustment. It is recommended that you add a drop of oil to bolts that may have to be removed before you install them.
- Do not tighten bolts all the way until the unit is completely assembled and all components are square and level.
- Identify and separate all parts by referencing the detail drawings and the parts list.
- As you unpack and separate the components use the cardboard sheets that were used for packing and shipping to prevent damage to the components. This is particularly true all Powder Coated and Thermoplastic coated components, by setting the components on top of the cardboard.

BEFORE YOU BEGIN

In addition to the components on the packing list you will need a shovel or post hole digger, cement, drill, and a level.

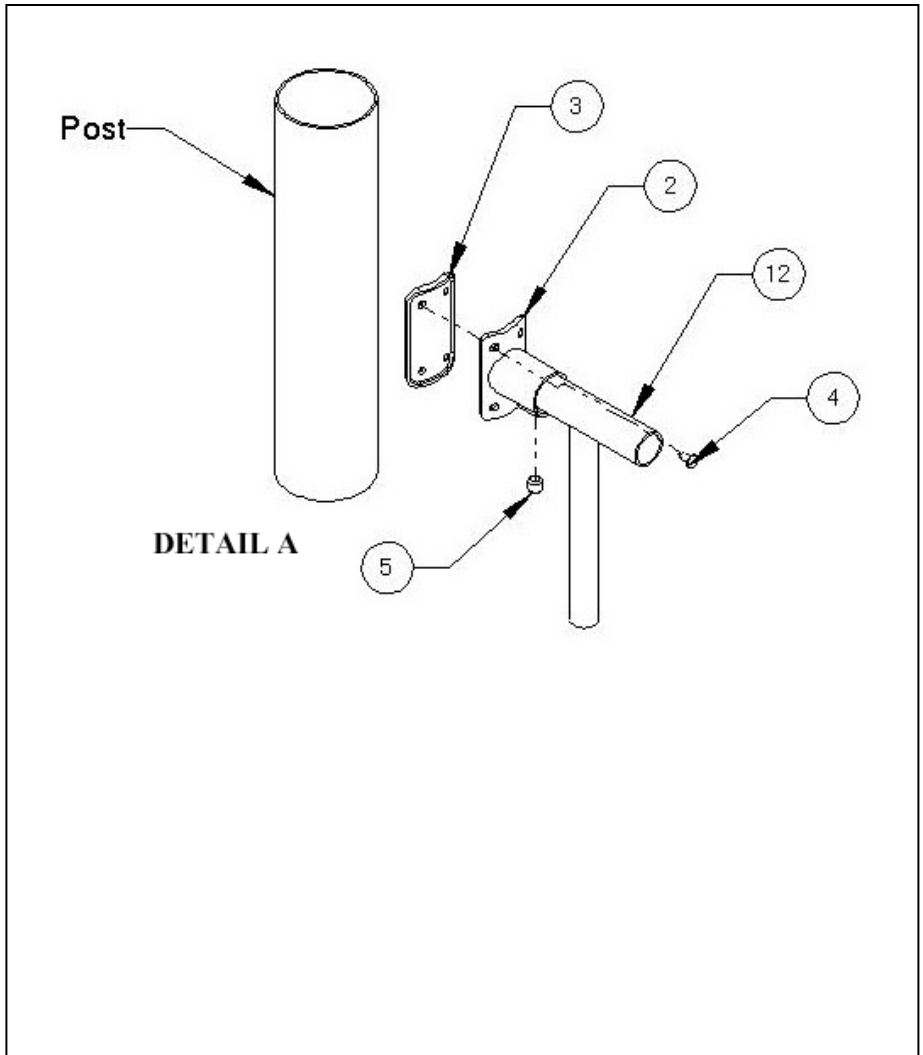
INSTALLATION STEPS

__1) Review all instructions before beginning

__2) Unpack, organize and identify, all components: Be sure to place all painted components on a protective surface (cardboard, cloth, etc...) to prevent damage.

__3) Locate placement of Corkscrew Climber: See top down view of your instruction booklet

__4) Install Arch Wall: Make sure that the attachment stub is facing away from the deck you are installing the Corkscrew Climber on. You will need the Arch Wall (12) two Four-Hole Attachment Brackets (2), two Attachment Bracket Gaskets (3), eight Self-Tapping Screws (4), two 3/8" x 3/8" Set Screws (5) two 3/8" x 1" Button Head Bolts (6), four 3/8" Flat washers (7) and two 3/8" Lock Nuts (8). First you will need to place the two Four-Hole Brackets on the Arch Wall. (See detail A) Using the 3/8" x 1" Button Head Bolts with a flat washer installed, place it through the Arch Wall and into the correct factory punched hole in the deck you are installing it to. Secure it with a 3/8" Flat Washer and 3/8" Locknut on the underside of deck, do not completely tighten locknut at this time. (See detail B)

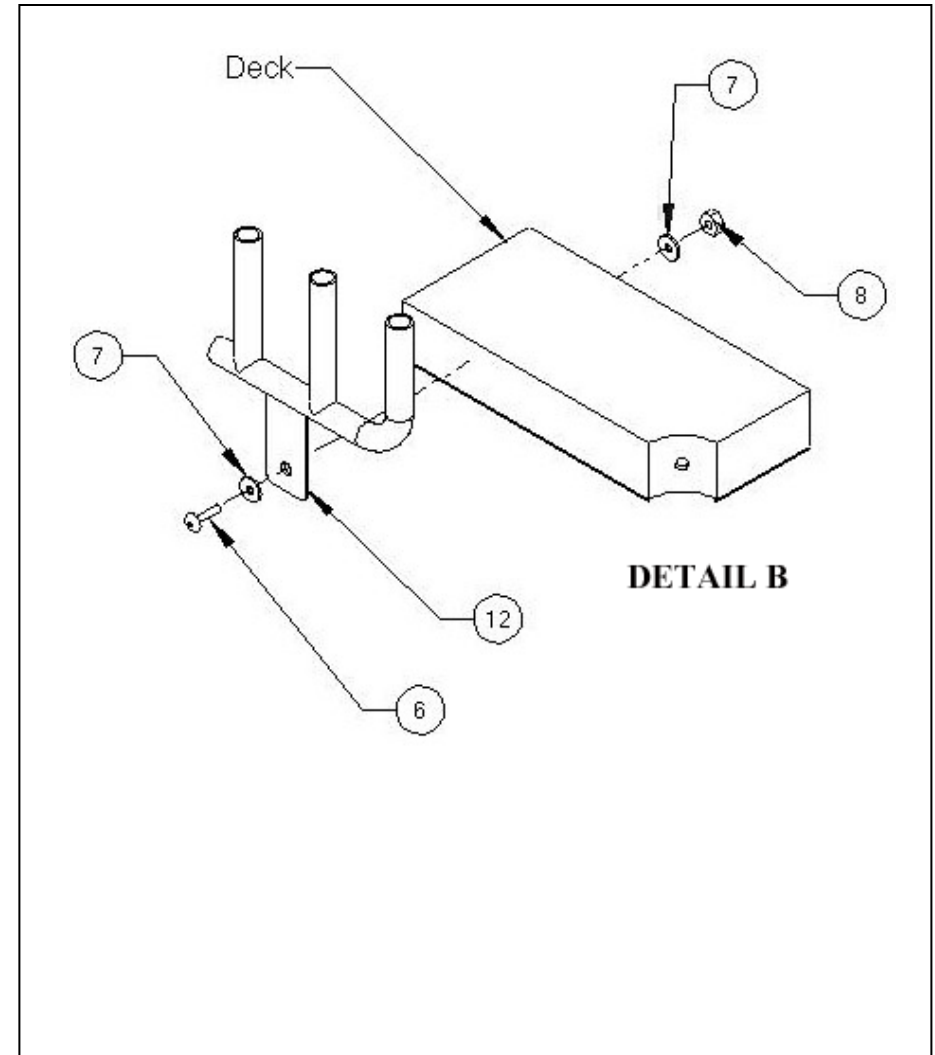


INSTALLATION STEPS CONTINUED

__5) **Connect four hole brackets to posts:** Now you need to install the Four Hole Brackets to the posts. The top of the barrier, NOT THE ARCH, should be 38" from the surface of the deck to the top of the barrier. Once you have the top of the barrier at the correct height tighten the two 3/8" x 1" Button Head bolts (6). The Four-Hole Brackets get installed with the Self-Tapping Screws (4) and Attachment Bracket Gaskets (5) make sure that the hole for the 3/8" x 3/8" set screw is pointing down. **TIP: It's easier to install the self-tapping screws if you pre drill the holes in the post with a #7 drill bit by marking the hole locations with a dry erase marker after you have put the guard wall into position.** Install the Self-Tapping Screws into the holes you have drilled in the posts with the Attachment Bracket Gasket between the post and Four Hole Attachment Bracket. (See detail B)

__6) **Secure the Arch Wall to the Attachment Bracket:** Install and tighten the 3/8" x 3/8" Set Screw (5) in the Four -Hole Bracket. (See detail B)

__7) **Dig footing hole:** Referencing the footing cutaway drawings on page 3, the footing layout and elevation views on page 4 of this components instruction set along with the main footing diagram on page 5 of the installation guide, mark and dig the footings as instructed for the corkscrew Climber (1). (Footing depth is 24" less the amount of surfacing used plus the thickness of the blocking material).



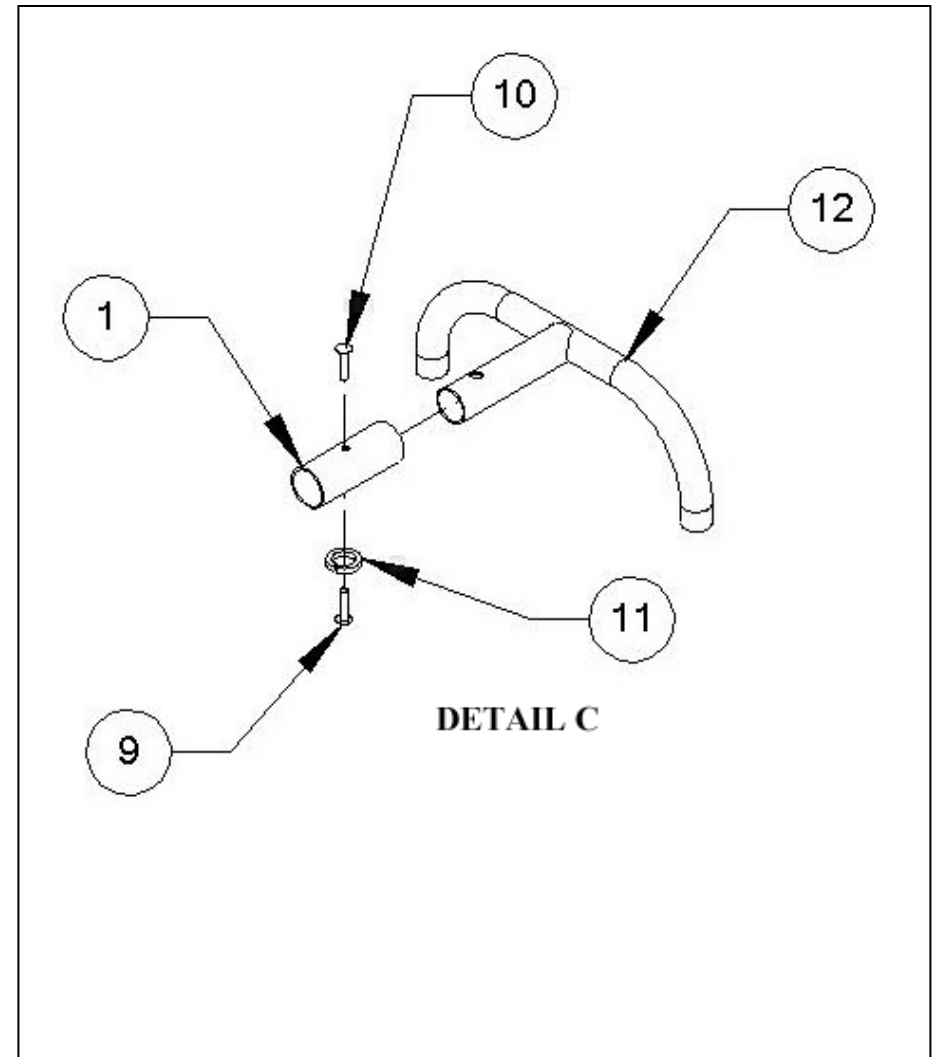
INSTALLATION STEPS CONTINUED

__8) **Install the Corkscrew climber:** Place the Corkscrew Climber over the stub on the Arch Wall and secure it with the 5/16" x 1 3/4" Button Head Bolt (9), 5/16" Button Head Nut (10), and 5/16" Lock Washer (11). (See detail C)

__9) Once the entire playground has been installed and you have verified that the entire playground is level you can **add the concrete to the footing holes**. Be sure to use concrete with a minimum 2,500 psi and mix the concrete per the manufacturer's directions before you pour it into the footing hole. Once the footing has been filled with concrete you should rope of the area for a minimum of 48 hours to allow the concrete set properly.

__10) **Once the concrete has set**, back fill dirt over the footing holes; inspect the area and components for tools, hazardous debris, and sharp edges. Verify all components are installed and all hardware is tight and then install the safety surfacing.

__11) **Inspect the components** for sharp edges and if necessary file them down and apply touch up paint.



INSTALLATION DETAILS

- Recommended crew (Adult): 2
- Installation time: **1 hr (2 man hr)**
- User age: **2-12**
- Use zone: **72"** from each side of chain net
- Weight: **50**

SURFACING: Use of safety surfacing in compliance with ASTM specification F1292 is required.

MAINTENANCE:

- As the owner of the playground you are responsible for maintenance of the equipment and play area. A maintenance schedule must be developed and the equipment inspected frequently. A maintenance section that includes component specific maintenance requirements is included at the end of this manual.
- Be sure to inspect surfacing for foreign objects that could cause injury and that sufficient surfacing is in place in accordance with ASTM and CPSC standards.



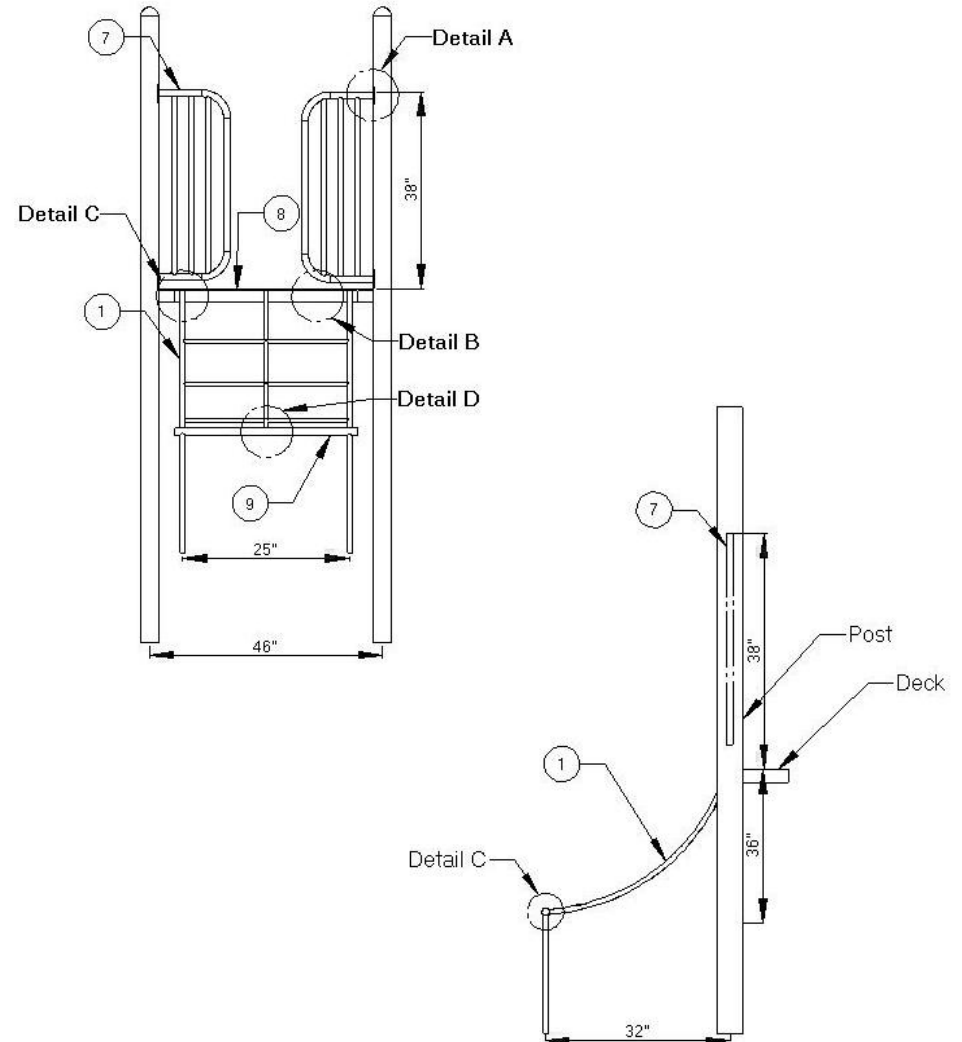


922-161-3 CHAIN NET CLIMBER 3' DECK INSTALLATION INSTRUCTION

PARTS LIST

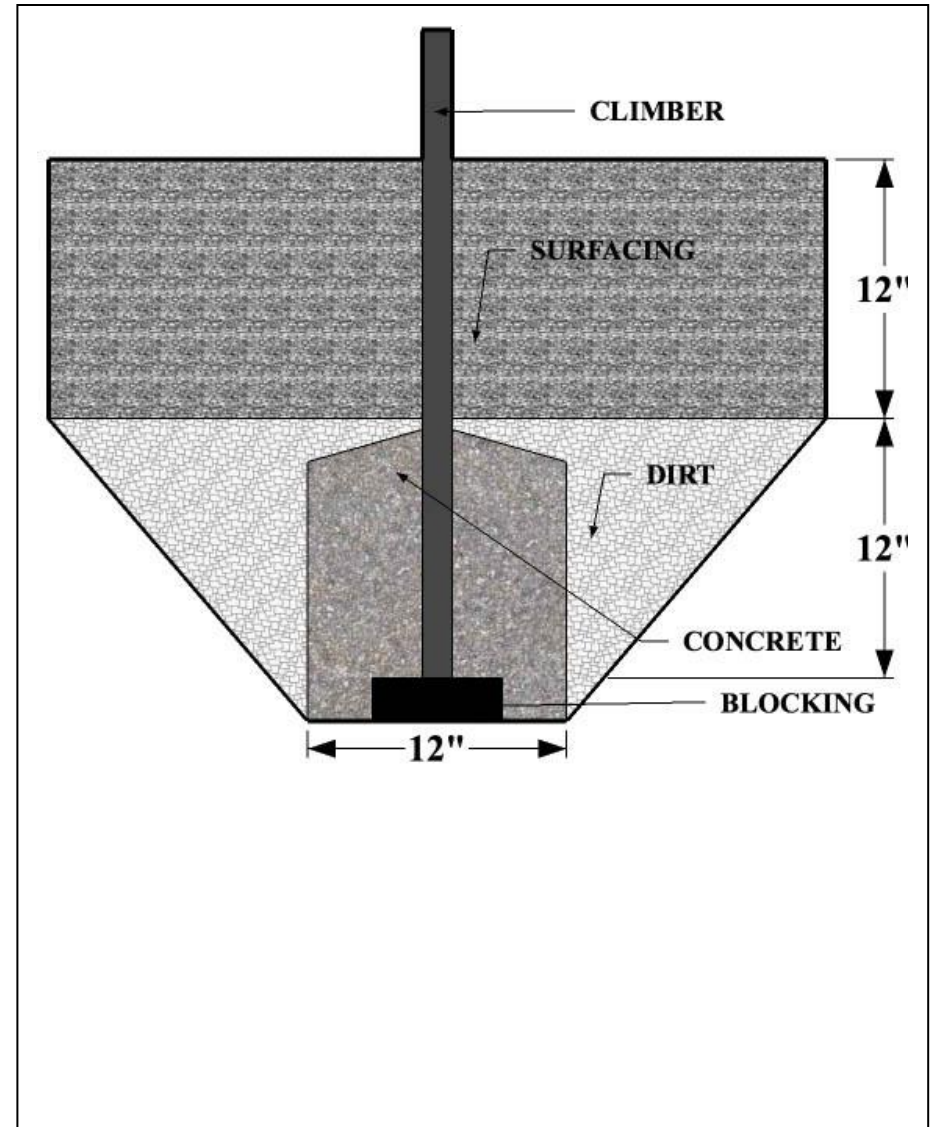
ID	PART #	DESCRIPTION	QTY
1	903-402	Chain Net 3' Deck	1
2	905-208	Attachment Bracket Gasket	4
3	905-526	Self-Tapping Screw	16
4	126-703	3/8" X 1" Button Head Bolt	4
5	316-601	3/8" Flat Washer	8
6	226-602	Lock Nut	4
7	923-212	Safety Enclosure/ Barrier	2
8	903-408	Top Support	1
9	903-409	Bottom Support	1

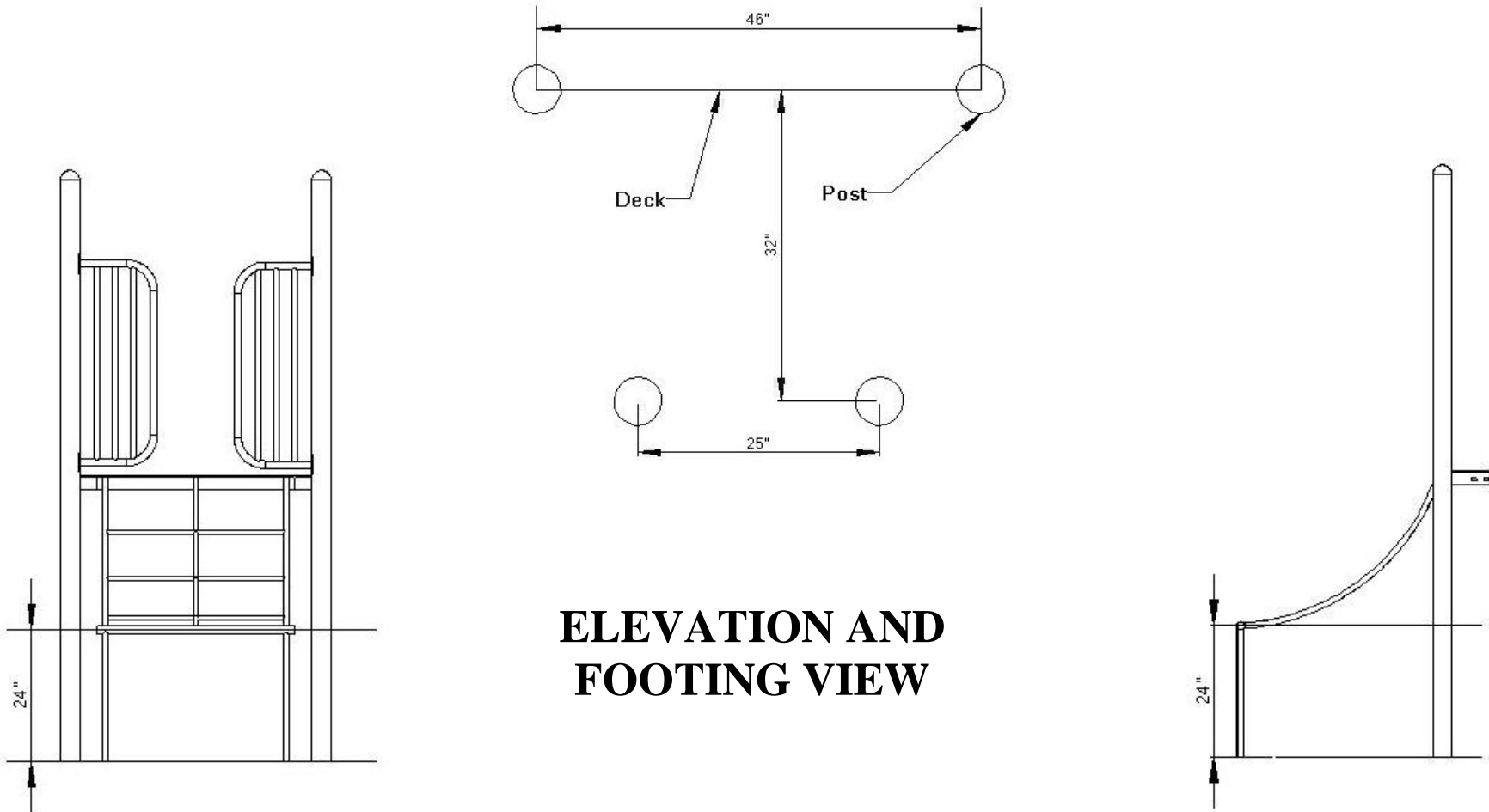
NOTE: Keep a copy of these instructions on file to assist you with maintenance and replacement parts.



FOOTING INFORMATION

- Total footing depth is 24" less the height of the surfacing plus the height of the blocking material. If you were using 12" of surfacing the footing hole would need to be 12" plus the height of the blocking material (refer to both the side and front cutaway views to the right).
- If the Play structure is installed on an unlevel grade you must adjust the footing depth to accommodate the grade. For instance, if the grade for this component is 1" higher than the surface grade of the main playground post you must dig your footing hole 1" deeper.
- You must place the bottom of the support post or slide leg on a suitable flat blocking material to prevent it from sinking further into the soil. We recommend you use a brick, block of wood or several inches of gravel. The footing depth does not include this blocking material since materials used often vary.
- It is the owner/installers responsibility to check local building codes and to comply with those codes. All footing depths listed here are recommendations and local soil types and frost lines may require a deeper and/or wider footing depth. If that's the case you must add more blocking material to accommodate the deeper footing, as the post length will still only be installed at the depth listed in this instruction manual.
- Assemble the entire unit before adding the concrete unless instructed to do so in the individual component instruction sections.





**ELEVATION AND
FOOTING VIEW**



SPECIFICATIONS

- **Tube** – FloCoat® Galvanized 1” and 1 3/8” O.D.
- **Hardware** – Stainless steel & tamper resistant
- **Paint** – Electrostatically applied & oven cured powder coat
- **Chain Net**- 4/O Galvanized Playground Chain with 1” tube MIG welded rungs. With a Electrostatically applied Thermoplastic Coating
- **Top Support**- 3/16”x 2” Flat HRPO with ¼” Galvanized Playground Chain ½ links welded to flat stock.
- **Bottom Support**- 1 3/8” tube with ¼” Galvanized Playground Chain ½ links welded to 1 3/8” tube.

SPECIAL SAFETY & ASTM COMPLIANCE NOTES

- (MUST INCLUDE SECTION IN STANDARD)

INSTALLATION TIPS & TROUBLE SHOOTING

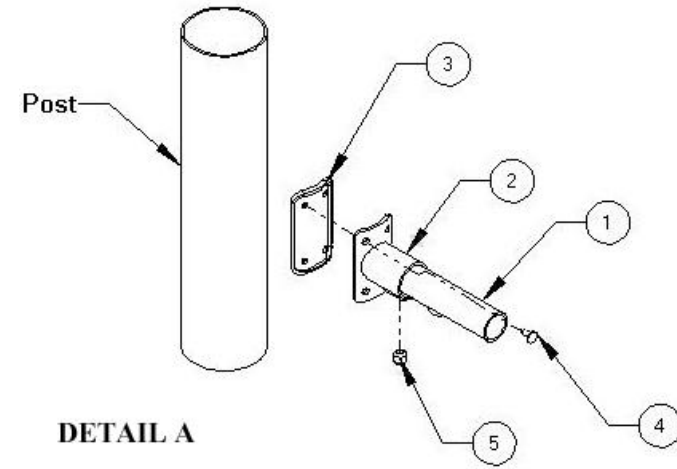
- SportsPlay Equipment Inc. recommends pre-drilling the holes in the post when attaching a four-hole bracket with a number #7 drill bit. This will make the attachment of the four-hole bracket with the self-tapping screws easier and it will prevent damage to the screw head during installation.
- Apply locktite to all bolts during assembly prior to completely tightening them.
- Stainless Steel hardware can occasionally be difficult to use particularly if you need to take them out to make an adjustment. It is recommended that you add a drop of oil to bolts that may have to be removed before you install them.
- Do not tighten bolts all the way until the unit is completely assembled and all components are square and level.
- Identify and separate all parts by referencing the detail drawings and the parts list.
- As you unpack and separate the components, use the cardboard sheets that were used for packing and shipping to prevent damage to the components. This is particularly true all Powder Coated and Thermoplastic coated components, by setting the components on top of the cardboard.

BEFORE YOU BEGIN

In addition to the components on the packing list you will need a drill with the #7 drill bit, tape measure, level, S hook crimper, post hole digger, blocking material, and cement.

INSTALLATION STEPS

- __1) Review all instructions before beginning:**
- __2) Unpack, organize, and identify all components:** Be sure to place all painted components on a protective surface (cardboard, cloth, etc...) to prevent damage.
- __3) Locate placement of the Chain Net Climber:** See top down view of your instruction booklet.
- __4) Install Safety Enclosure/Barriers:** After you have located the placement of the Chain Net you will need to install the Safety Enclosure/Barriers (8). First you will need to mark the holes on the post for the Safety Enclosure/Barriers. The top of the Safety Enclosure/Barriers must be 38" from the top surface of the deck to the top the 1 3/8" bent pipe. Mark and drill the holes. Secure the Safety Enclosure/Barriers to the posts with the Self Tapping Screws (3) making sure that the Attachment Bracket Gasket is between the Safety Enclosure/Barrier and post. (See detail A)

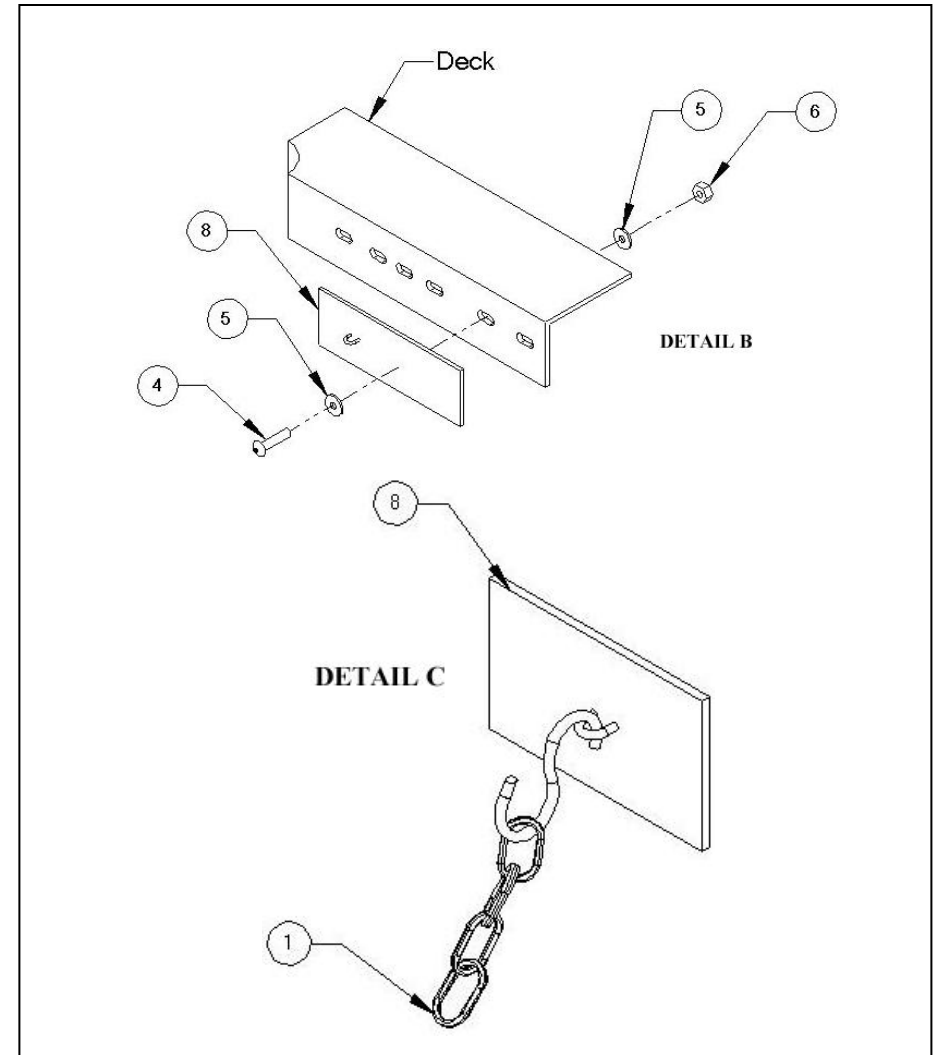


INSTALLATION STEPS CONTINUED

__5) **Install the Top Support:** This will mount to the face of the deck directly below the Safety Enclosure/Barriers. You will need the four 3/8" x 1" Button Head Bolts (4), eight 3/8" Flat Washers (5), and four Lock Nuts (6). Place one Flat Washer on a 3/8" x 1" Button Head Bolt and insert it through the factory punched hole in the top Bracket. Place it through the factory punched hole in the deck and secure it with a Flat Washer and Lock Nut on the underside of the deck. (See detail B)

__6) **Dig Footings:** See Footing drawings and footing information on pages 3 & 4. Once you have the footings dug you can cement the Bottom Support into place. Before you pour the cement check the fit of the Chain Net from the Bottom Bracket to the Top Bracket. Have your helper measure from the Bottom Bracket to the outside of the post. Use this measurement to set the Bottom Bracket in the correct position. If needed use some type of blocking material to hold the Bottom Bracket in place while pouring the cement.

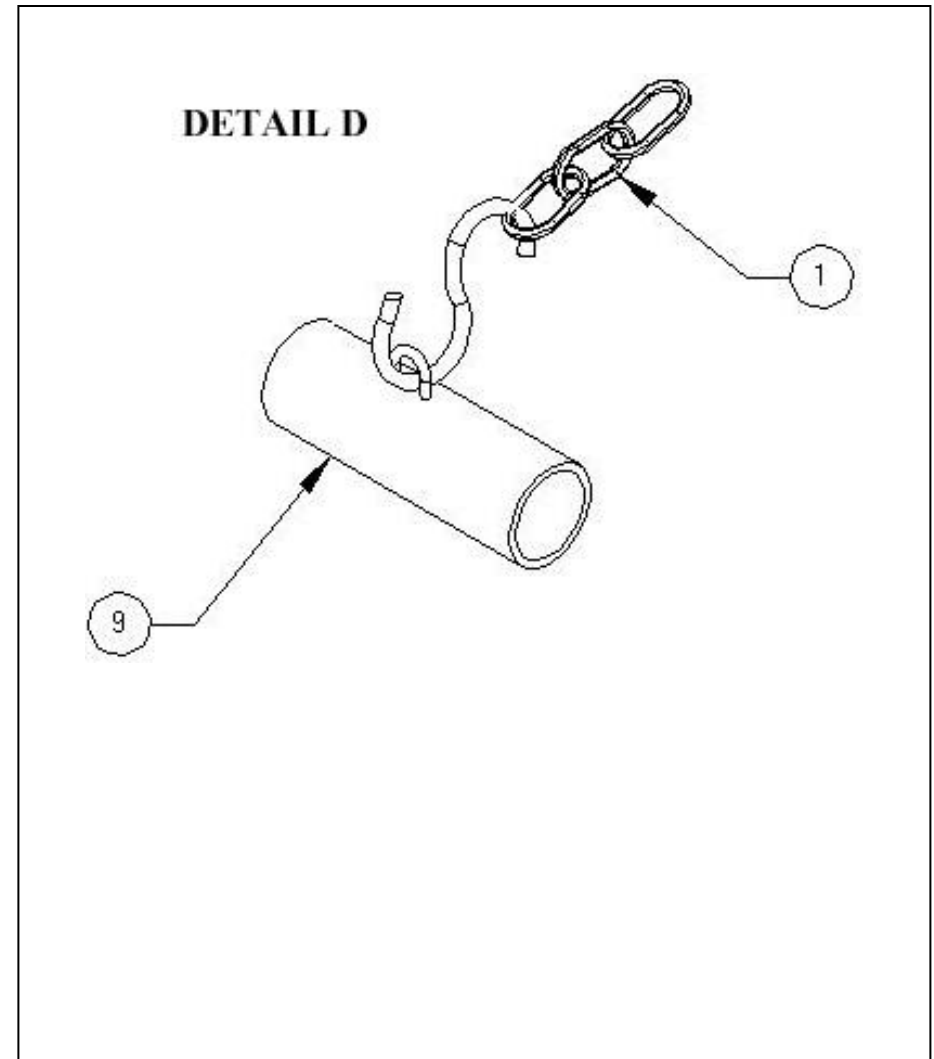
__7) **Attach Chain Net Climber:** Attach the chain net to the top bracket first. Place the four S Hooks into the 1/2 link that is welded to the Top Bracket and crimp it tightly together with the S hook crimpers (Detail C). Next you will need to hook the Chain Net Climber to the Bottom Bracket and crimp the four S hooks (Detail D). **Do this step ONLY after the cement has dried.**



INSTALLATION STEPS CONTINUED

__8) **Once the concrete has set**, back fill dirt over the footing holes; inspect the area and components for tools, hazardous debris and sharp edges. Verify all components are installed and all hardware is tight and then install the safety surfacing.

__9) **Inspect the components:** for sharp edges and if necessary file them down and apply touch up paint.



INSTALLATION DETAILS

- Recommended crew (Adult): 2
- Installation time: **30 (1 man hr)**
- User age: **5-12 years**
- Use zone: **72" on all sides of Panel Climber**
- Weight: **68 lbs**

SURFACING: Use of safety surfacing in compliance with ASTM specification F1292 is required

MAINTENANCE:

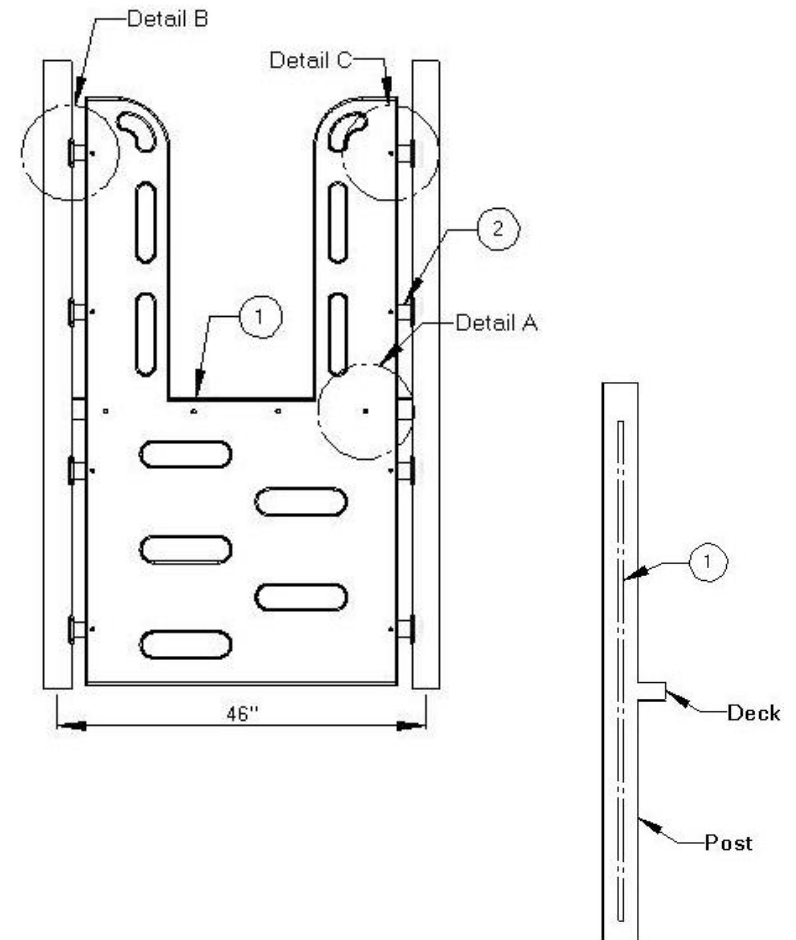
- As the owner of the playground you are responsible for maintenance of the equipment and play area. A maintenance schedule must be developed and the equipment inspected frequently. A maintenance section that includes component specific maintenance requirements is included at the end of this manual.
- Be sure to inspect surfacing for foreign objects that could cause injury and that sufficient surfacing is in place in accordance with ASTM and CPSC standards.



PARTS LIST

ID	PART #	DESCRIPTION	QTY
1	913-506-3	Panel Climber 3' deck	1
2	913-417	Panel Attachment Bracket	8
3	905-208	Gasket for Attachment Bracket	8
4	905-526	Self-Taping Screw	32
5	316-601	3/8" Flat Washer	16
6	126-701bps	3/8"x1 1/4" Button Head Bolt	4
7	226-602	Lock Nut	4
8	316-501	5/16" Flat Washer	8
9	116-529	5/16"x3/4" Button Head Bolt	8
10	216-512	5/16"x1" Button Head Nut	8

NOTE: Keep a copy of these instructions on file to assist you with maintenance and replacement parts.





SPECIFICATIONS

- **Panel-** 3/4" UV protected HDPE
- **Hardware** – Stainless steel & tamper resistant
- **Attachment Brackets-** Electrostatically applied & oven cured powder coat

INSTALLATION TIPS & TROUBLE SHOOTING

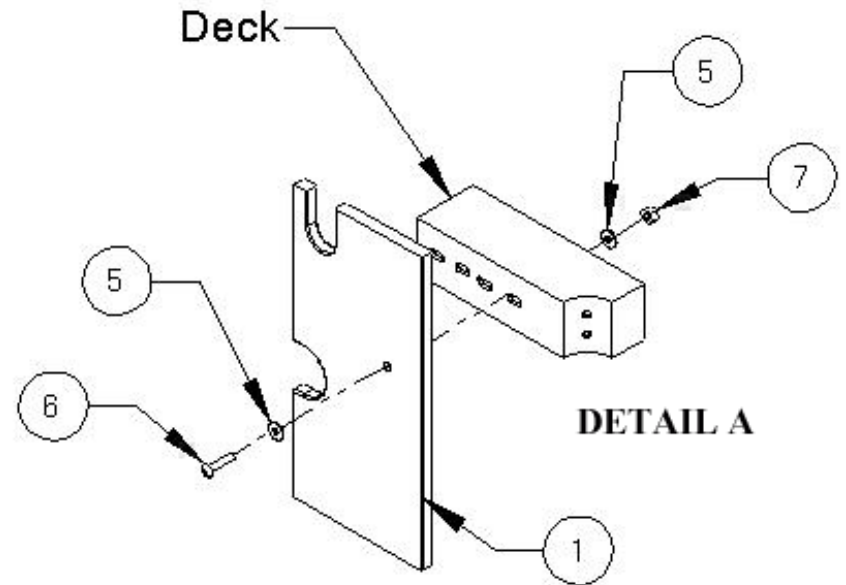
- SportsPlay Equipment Inc. recommends pre-drilling the holes in the post when attaching a four-hole bracket with a number #7 drill bit. This will make the attachment of the four-hole bracket with the self-tapping screws easier and it will prevent damage to the screw head during installation.
- Apply loctite to all bolts during assembly prior to completely tightening them.
- Stainless Steel hardware can occasionally be difficult to use particularly if you need to take them out to make an adjustment. It is recommended that you add a drop of oil to bolts that may have to be removed before you install them.
- Do not tighten bolts all the way until the unit is completely assembled and all components are square and level.
- Identify and separate all parts by referencing the detail drawings and the parts list.
- As you unpack and separate the components, use the cardboard sheets that were used for packing and shipping to prevent damage to the components. This is particularly true all Powder Coated and Thermoplastic coated components, by setting the components on top of the cardboard.

BEFORE YOU BEGIN

In addition to the components on the packing list you will need a drill, #7 drill bit, tape measure and dry erase marker.

INSTALLATION STEPS

- __1) **Unpack, organize, and identify all components:** Be sure to place all painted components on a protective surface (cardboard, cloth, etc...) to prevent damage.
- __2) **Locate placement of Panel Climber:** See top down view of your instruction booklet.
- __3) **Temporarily hang the Panel Climber:** You will need to temporarily hang the panel climber on the structure so you can properly install the Panel Attachment Brackets. To do this you will need to locate the Panel Climber (1), eight 3/8" Flat washers (5), four 3/8" x 1 1/4" Button Head Bolts (6), and four 3/8" Locknuts (7). Place a 3/8" Flat Washer on each of the 3/8x1 1/4" Button Head Bolts. Insert them through the factory drilled holes in the Panel Climber and into the deck. **(Refer to Detail A)** Secure them with the other two 3/8" Flat Washers and 3/8" Locknuts. Do not tighten locknuts you may need to remove the panel to install the Panel Attachment Brackets. **TIP: Apply a few drops of oil to help keep the locknut from seizing on the bolt.**

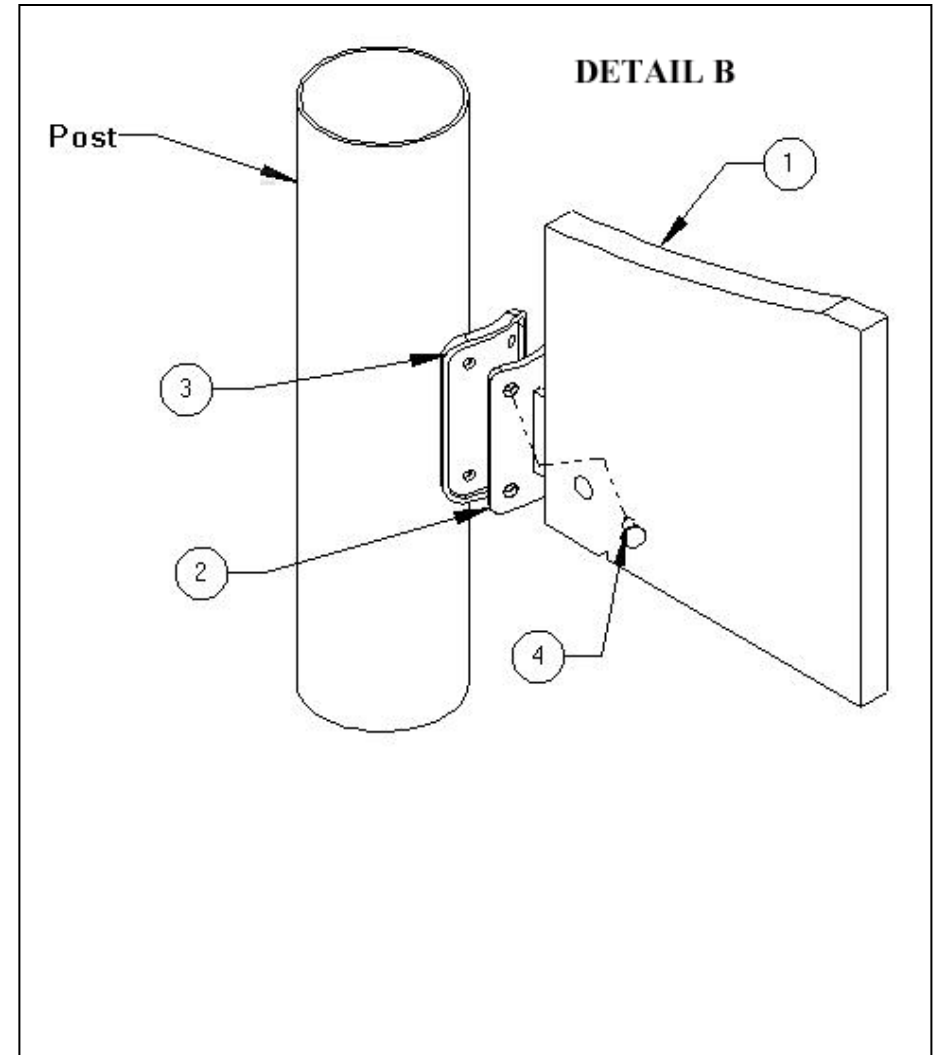


INSTALLATION STEPS CONTINUED

4) Layout the Panel Attachment Brackets: With the Panel Climber temporarily attached to the deck, hold each of the eight Panel Attachment Brackets (2) at their proper location on the panel climber and mark that location on the posts using the dry erase marker.

5) Install the Panel attachment Brackets: You will need the eight Panel Attachment Brackets (2), eight Attachment Bracket Gaskets (3) and thirty two Self-Tapping Screws (4). Install the Panel Attachment Brackets with the Self Tapping Screws and Attachment Bracket Gaskets between the post and Attachment Bracket. **TIP: It's easier to install the self-tapping screws if you pre drill the holes in the post with a #7 drill bit by marking the hole locations with a dry erase marker after you have put the guard wall into position.** (Refer to Detail B)

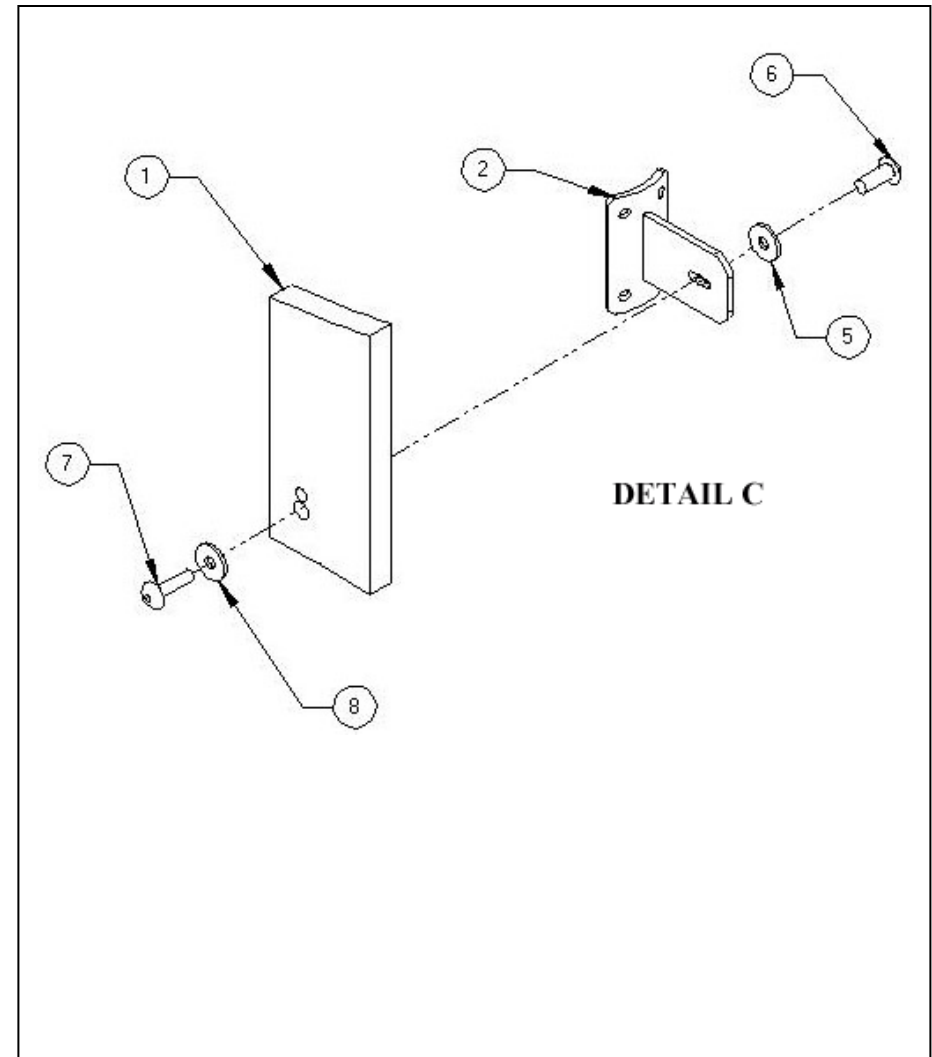
6) Mark and drill holes in the Panel climber: Once you have the Panel Attachment Brackets installed on the posts, you will need to mark the location of the eight 1/2" holes to be drilled. Using the dry erase marker place a mark on the Panel climber in the center of the hole of the Panel Attachment Bracket slot. Now you can drill the 1/2" holes in the panel at the marks you made.



INSTALLATION STEPS CONTINUED

__7) Attach the panel to structure: To do this step you will need the eight 5/16" Flat Washers (8), eight 5/16"x3/4" Button Head Bolts (9), eight 5/16" x1" Button Head Nuts (10), eight 3/8" Flat washers (5). Place a 3/8" Flat Washer on a Button Head nut and insert it through the Panel Attachment Bracket slot and corresponding 1/2" hole you drilled in the panel climber. Next take a 5/16"x3/4" Button head bolt with a 5/16" Flat Washer and thread it into the Button Head Nut. **DO NOT TIGHTEN BOLTS UNTIL ALL BOLTS ARE INSTALLED.** Repeat for all Panel Attachment Brackets. Tighten all bolts. **(Refer to Detail C)**

__8) Inspect the components: for sharp edges and if necessary file them down and apply touch up paint.



INSTALLATION DETAILS

- Recommended crew (Adult): 3
- Installation time: **30 min (1.5 man hrs)**
- User age: **2-12 refer to the ASTM compliance notes for proper installation heights.**
- Use zone: **72" in all directions**
- Weight: **58 lbs (without posts)**

SURFACING: Use of safety surfacing in compliance with ASTM specification F1292 is required.

MAINTENANCE:

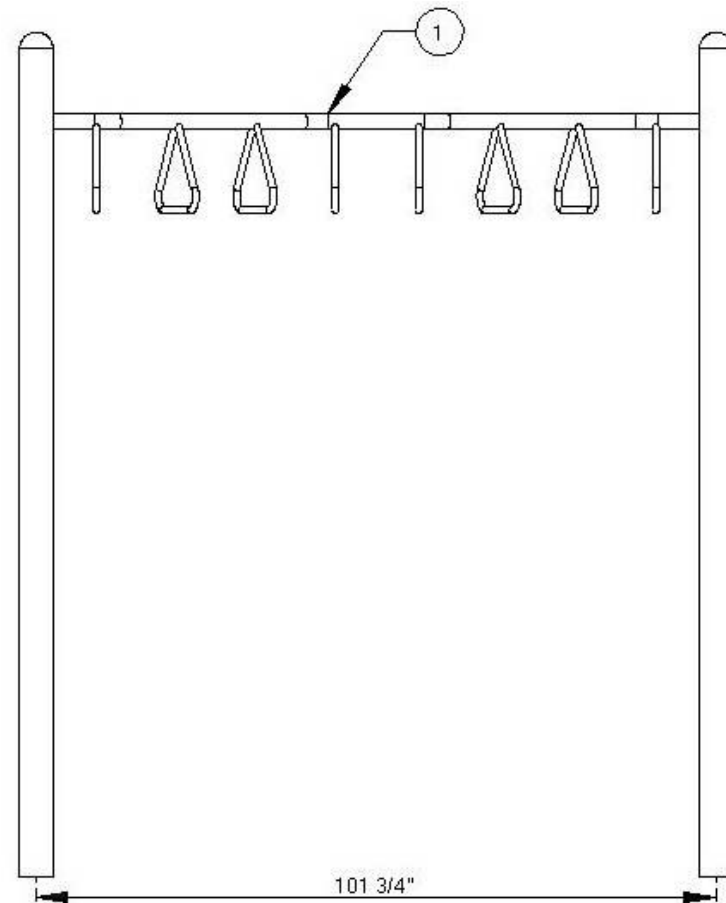
- As the owner of the playground you are responsible for maintenance of the equipment and play area. A maintenance schedule must be developed and the equipment inspected frequently. A maintenance section that includes component specific maintenance requirements is included at the end of this manual.
- Be sure to inspect surfacing for foreign objects that could cause injury and that sufficient surfacing is in place in accordance with ASTM and CPSC standards.

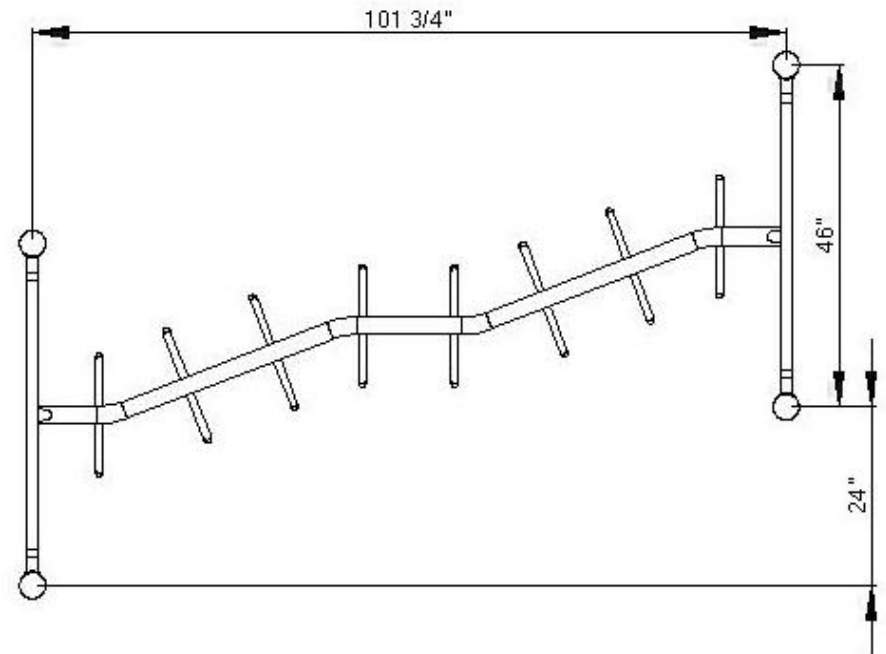
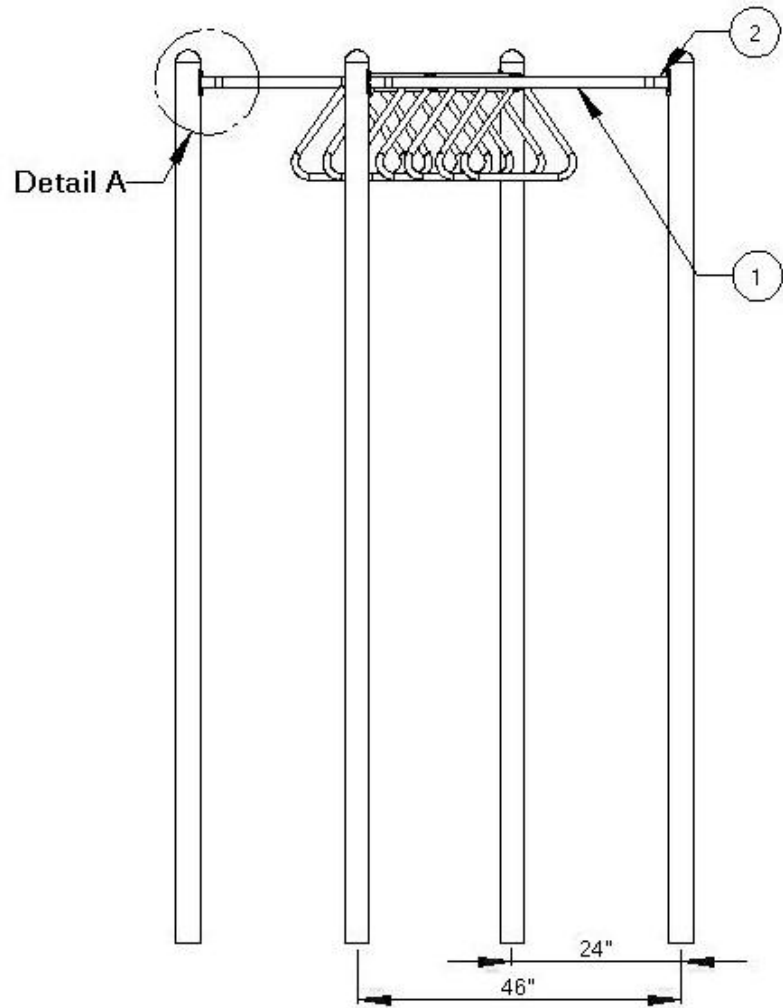


PARTS LIST

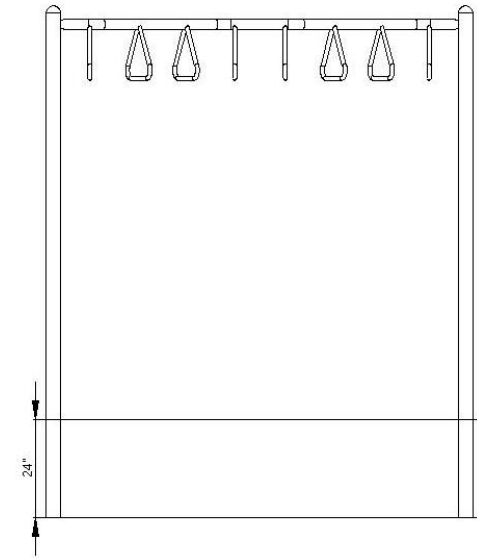
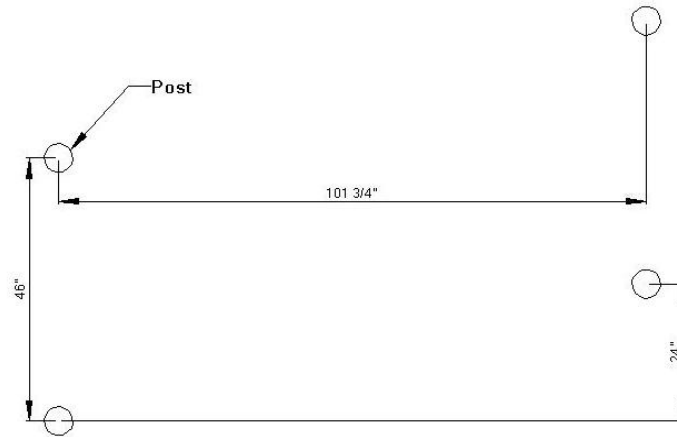
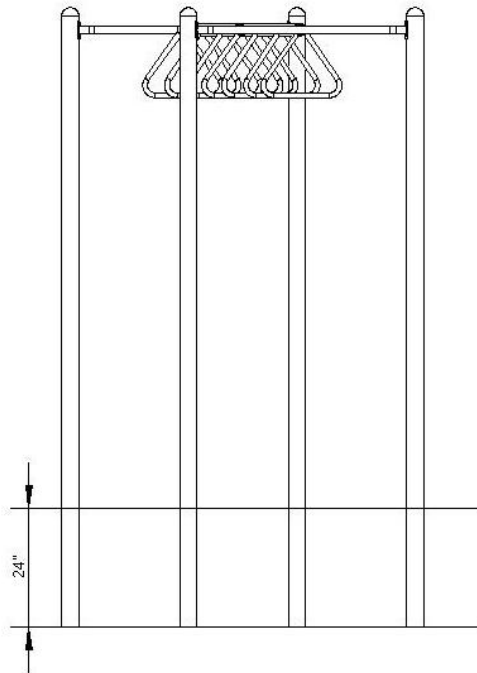
ID	PART #	DESCRIPTION	QTY
1	923-111	Zigzag Loop Climber	1
2	913-402	Four-Hole Attachment Bracket	4
3	905-208	Attachment Bracket Gasket	4
4	905-526	Self-Tapping Screw	16
5	196-807	3/8"x3/8" Set Screw	4

NOTE: Keep a copy of these instructions on file to assist you with maintenance and replacement parts.





**ELEVATION AND
FOOTING VIEW**





SPECIFICATIONS

- **Tube** – FloCoat® Galvanized 1 7/8” O.D. and 1 3/8” O.D.
- **Hardware** – Stainless steel & tamper resistant
- **Paint** – Electrostatically applied & oven cured powder coat
- **Attachment Bracket** – Powder coated cast aluminum
- **Zigzag Loop Climber** -1 7/8” O.D. tube rails with 1 3/8” O.D. tube rungs MIG welded together

SPECIAL SAFETY & ASTM COMPLIANCE NOTES

The maximum height of upper body devices for use by 2 through 5-year-olds shall be no greater than 60 in. (1524mm), measured from the center of the grasping device to the top of the protective surfacing below. The maximum height of upper body devices for use by 5 through 12-year-olds shall be no greater than 84 in. (2130 mm). Upper body equipment intended for users in wheelchairs shall have grasping devices no greater than 54 in. (1370 mm) above the accessible surface

INSTALLATION TIPS & TROUBLE SHOOTING

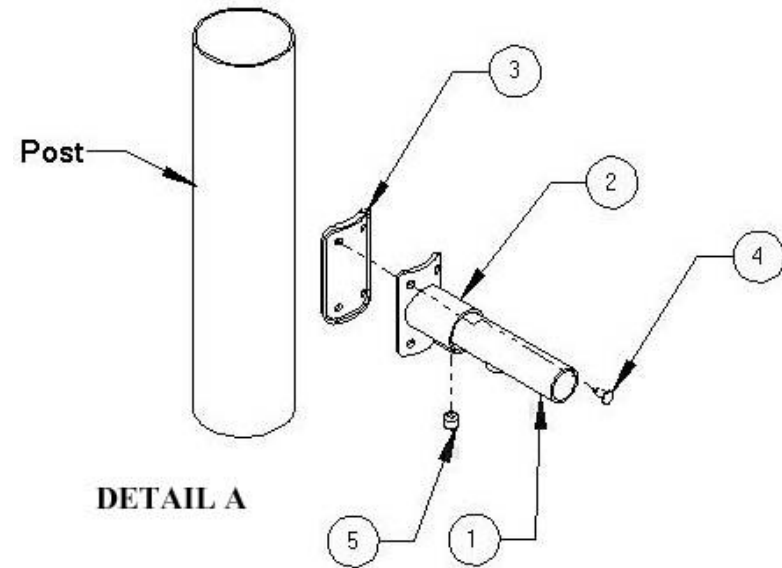
- SportsPlay Equipment Inc. recommends pre-drilling the holes in the post when attaching a four-hole bracket with a number #7 drill bit. This will make the attachment of the four-hole bracket with the self-tapping screws easier and it will prevent damage to the screw head during installation.
- Apply locktite to all bolts during assembly prior to completely tightening them.
- Stainless Steel hardware can occasionally be difficult to use particularly if you need to take them out to make an adjustment. It is recommended that you add a drop of oil to bolts that may have to be removed before you install them.
- Do not tighten bolts all the way until the unit is completely assembled and all components are square and level.
- Identify and separate all parts by referencing the detail drawings and the parts list.
- As you unpack and separate the components, use the cardboard sheets that were used for packing and shipping to prevent damage to the components. This is particularly true all Powder Coated and Thermoplastic coated components, by setting the components on top of the cardboard.

BEFORE YOU BEGIN

In addition to the components on the packing list you will need a level and a dry erase marker.

INSTALLATION STEPS

- __1) Review all instructions before beginning:**
- __2) Unpack, organize, and identify all components:** Be sure to place all painted components on a protective surface (cardboard, cloth, etc...) to prevent damage.
- __3) Locate placement of the Zigzag Loop Climber:** See top down view of your instruction booklet
- __4) Mark posts for location of Four-Hole Brackets:** After you have the proper location, layout the measurements for the Four-Hole Brackets. To do this you must determine the age group of your playground, 2 through 5-year-olds shall be no greater than 60 in. (1524mm), and 5 through 12-year-olds shall be no greater than 84 in. (2130 mm) to the center of the rung of the Zigzag Loop Climber. Once you determined the proper placing of the Four-Hole Brackets mark and drill the holes for the Four-Hole Brackets on one end of the Zigzag Loop Climber. (See detail A)
- __5) Install first end:** With help lift the end of the Zigzag Loop Climber that you predrilled in the previous step, and install the Four-Hole brackets with the threaded hole facing the ground, and the Attachment Bracket Gasket (3) between the bracket and the post. (See detail A)





INSTALLATION STEPS CONTIUDE

__6) **Install the second end of the Zigzag Loop Climber:** With help lift the other end of the Zigzag Loop Climber into place making sure that it is level and install the remaining two Four-Hole Brackets with the threaded hole facing down, and the Attachment Bracket Gasket (3) between the bracket and the post.(see detail A)

__7) **Secure Zigzag Loop Climber:** Using the 3/8x3/8" (5) set screw insert it into the threaded hole in the Four-Hole Bracket and secure the Zigzag Loop Climber to the posts.

__8) Once the entire playground has been installed and you have verified that the entire playground is level you can **add the concrete to the footing holes**. Be sure to use concrete with a minimum 2,500 psi and mix the concrete per the manufacturer's directions before you pour it into the footing hole. Once the footing has been filled with concrete you should rope of the area for a minimum of 48 hours to allow the concrete set properly.

__9) **Once the concrete has set**, back fill dirt over the footing holes; inspect the area and components for tools, hazardous debris and sharp edges. Verify all components are installed and all hardware is tight and then install the safety surfacing.

__10) Inspect **the components:** for sharp edges and if necessary file them down and apply touch up paint



922-111 ZIGZAG LOOP CLIMBER INSTALLATION INSTRUCTION

THIS PAGE WAS INTENTIONALLY LEFT BLANK

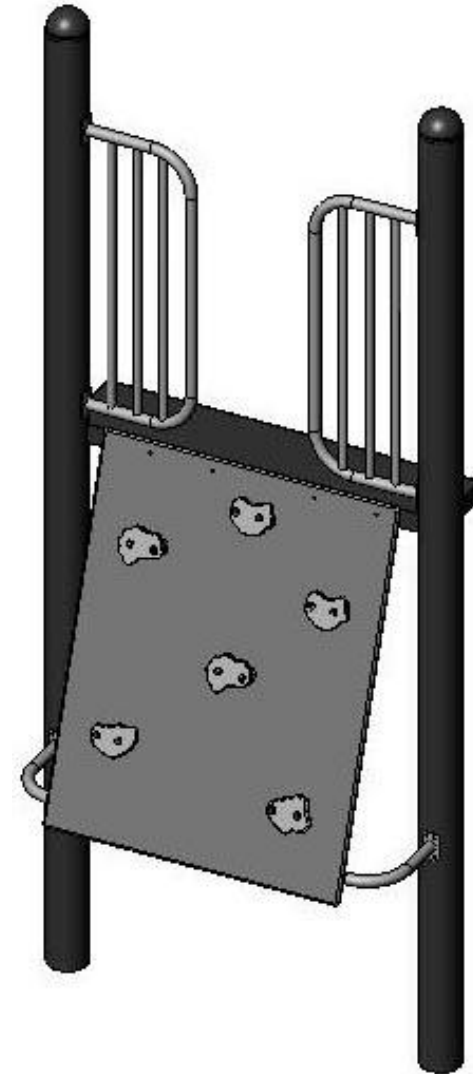
INSTALLATION DETAILS

- Recommended crew (Adult): **1**
- Installation time: **1 hr**
- User age: **2-12**
- Use zone: **72" in all directions**
- Weight: **75 lbs**

SURFACING: Use of safety surfacing in compliance with ASTM specification F1292 is required.

MAINTENANCE:

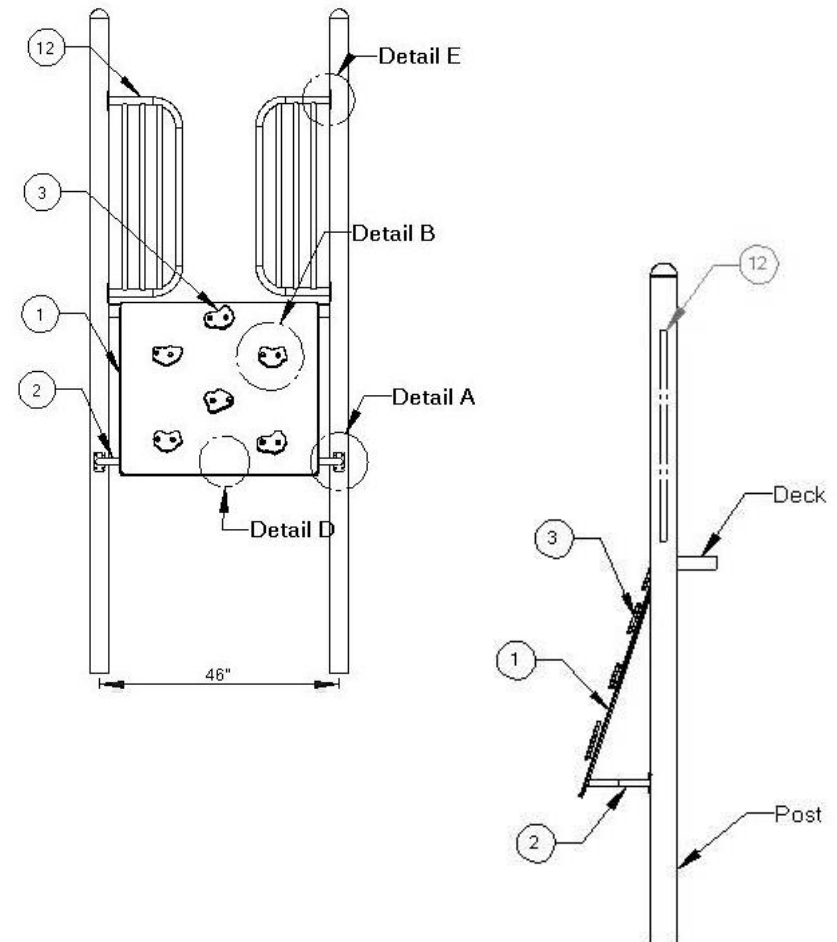
- As the owner of the playground you are responsible for maintenance of the equipment and play area. A maintenance schedule must be developed and the equipment inspected frequently. A maintenance section that includes component specific maintenance requirements is included at the end of this manual.
- Be sure to inspect surfacing for foreign objects that could cause injury and that sufficient surfacing is in place in accordance with ASTM and CPSC standards.



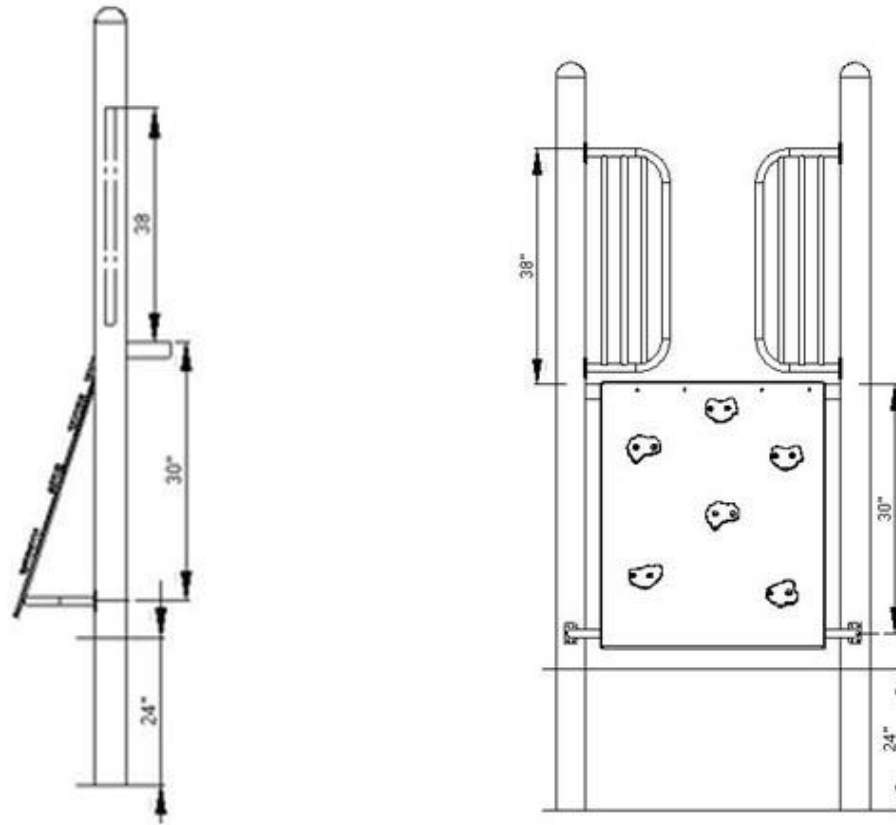
PARTS LIST

ID	PART #	DESCRIPTION	QTY
1	903-273-3	Rock Wall Plastic to 3' deck	1
2	923-129	Rock Wall Bottom Bracket	1
3	435-802	Climbing Rocks	6
4	905-208	Gasket for Attachment Bracket	4
5	905-526	Self Tapping Screws	16
6	216-512	5/16" x 1" Button Head Nut	13
7	116-529	5/16" x 3/4" Button Head Bolt	12
8	116-538	5/16" x 1 3/4" Button Head Bolt	1
9	316-601	3/8" Flat Washer	22
10	226-602	3/8" Lock Nut	4
11	126-706bps	3/8" x 1 3/4" Button Head Bolt	4
12	923-212	Safety Enclosure/ Barrier	2

NOTE: Keep a copy of these instructions on file to assist you with maintenance and replacement parts.



ELEVATION VIEW





SPECIFICATIONS

- **Rock Climbing Panel-** 3/4" HDPE UV stabilized plastic
- **Rock Wall Bottom Bracket-** FloCoat® Galvanized 1 3/8" O.D. tubing
- **Climbing Rocks-**HDPE plastic
- **Hardware** – Stainless steel & tamper resistant
- **Paint** – Electrostatically applied & oven cured powder coat
- **Tube** – FloCoat® Galvanized 1" and 1 3/8" O.D.
- **Safety Barrier-**1 3/8" O.D. tubing bent with 1" O.D. tube welded rungs

SPECIAL SAFETY & ASTM COMPLIANCE NOTES

INSTALLATION TIPS & TROUBLE SHOOTING

- SportsPlay Equipment Inc. recommends pre-drilling the holes in the post when attaching a four-hole bracket with a number #7 drill bit. This will make the attachment of the four-hole bracket with the self-tapping screws easier and it will prevent damage to the screw head during installation.
- Apply locktite to all bolts during assembly prior to completely tightening them.
- Stainless Steel hardware can occasionally be difficult to use particularly if you need to take them out to make an adjustment. It is recommended that you add a drop of oil to bolts that may have to be removed before you install them.
- Do not tighten bolts all the way until the unit is completely assembled and all components are square and level.
- Identify and separate all parts by referencing the detail drawings and the parts list.
- As you unpack and separate the components, use the cardboard sheets that were used for packing and shipping to prevent damage to the components. This is particularly true all Powder Coated and Thermoplastic coated components, by setting the components on top of the cardboard.

BEFORE YOU BEGIN

In addition to the components on the packing list you will need a tape measure, drill with a ½” drill bit and a dry erase marker.

INSTALLATION STEPS

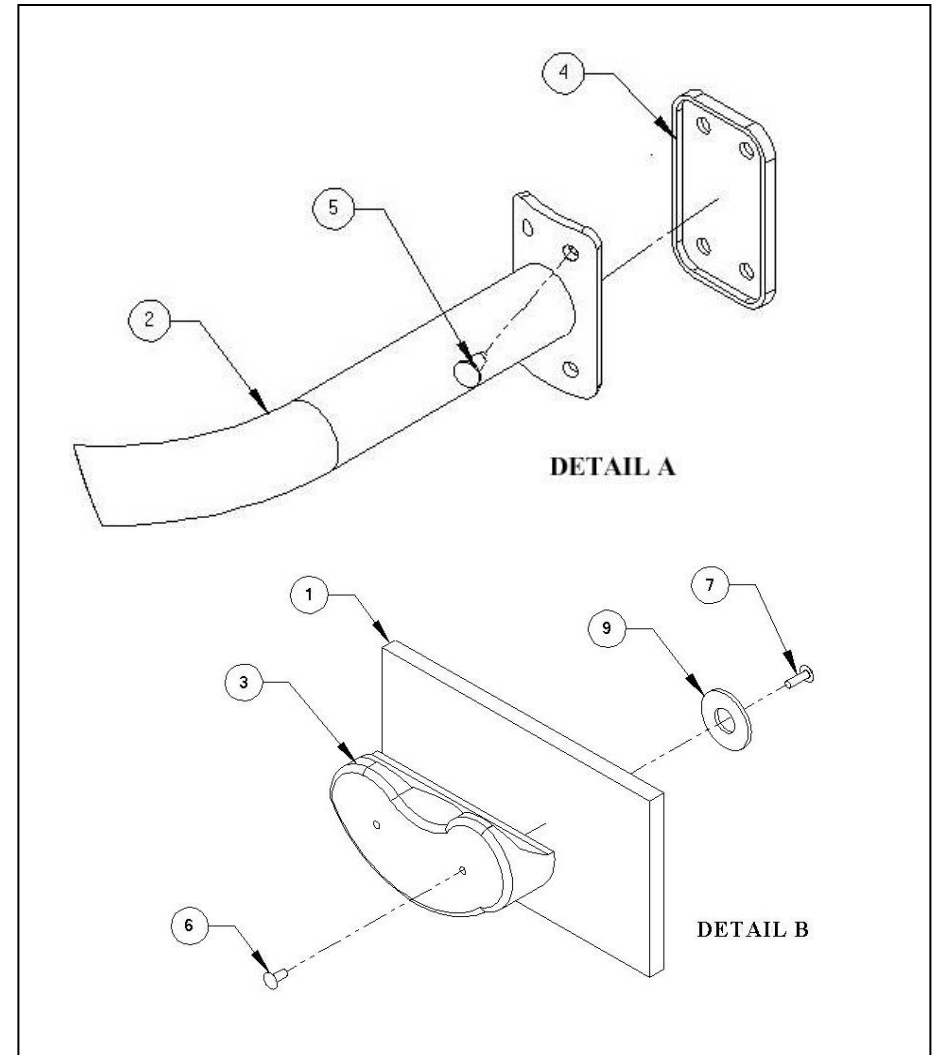
__1) Review all instructions before beginning:

__2) Unpack, organize, and identify all components: Be sure to place all painted components on a protective surface (cardboard, cloth, etc...) to prevent damage.

__3) Locate placement of the Rock Wall: See top down view of your instruction booklet.

__4) Layout the placement of the Rock Wall Bottom Bracket: You will need to measure and mark the center of the Rock Wall Bottom Bracket this measurement will be 30 inches from the top of the deck. Place the center of the Rock Wall Bottom Bracket on the mark at 30 inches. Now you will need to mark the location of the four holes on each end of the Rock Wall Bottom Bracket. You will need to drill the eight holes in the posts where the Rock Wall Bottom Bracket will attach using the # 7 drill bit.

__5) Attach the Rock Wall Bottom Bracket: The Rock Wall Bottom Bracket will attach to the posts with eight, Self Tapping Screws (5) and two, Gaskets for Attachment Brackets (4). Place the Gasket between the post and The Rock Wall Bottom Bracket; secure it to the post using the Self Tapping Screws. (See detail A)

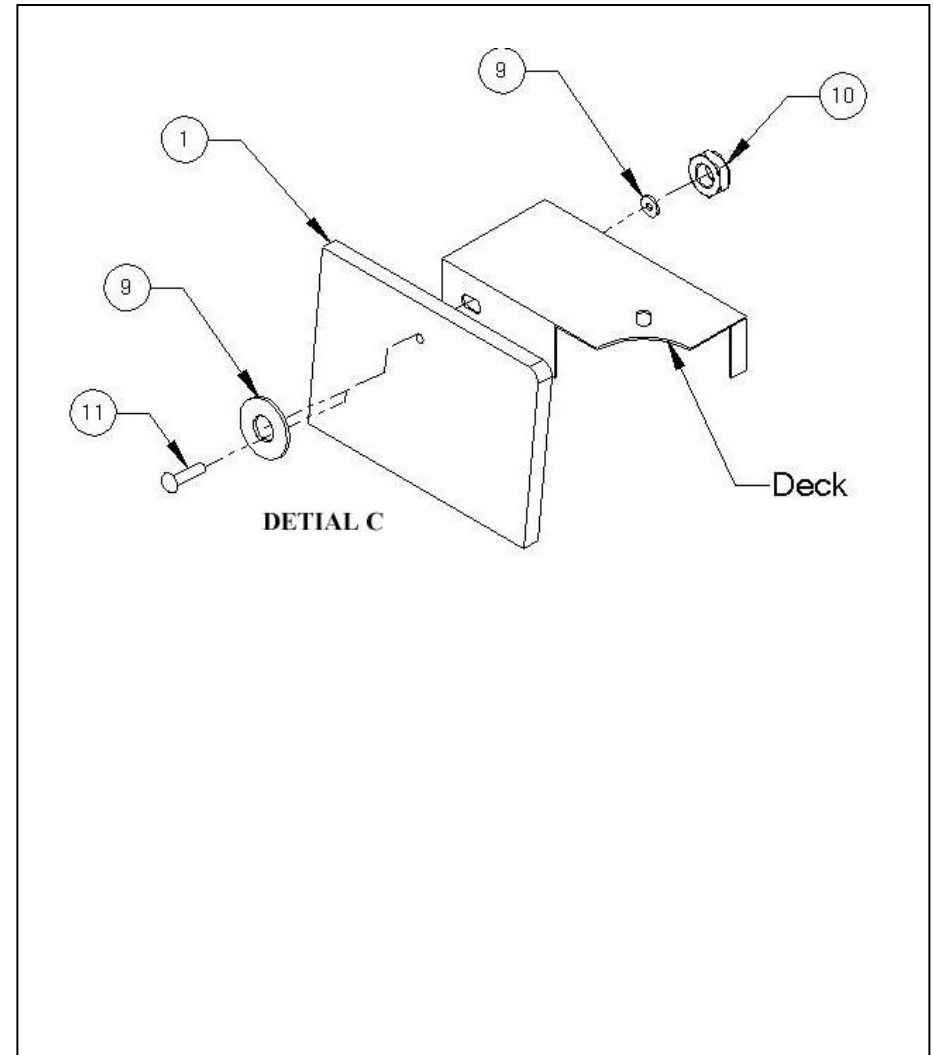


INSTALLATION STEPS CONTIUDE

__6) layout the holes to attach the Rock Wall Plastic panel to the deck: With help hold the Rock Wall Plastic Panel up to the top surface of the deck. Center the panel between the posts; now mark the location for the bolts on the panel. *(Use four of the holes that are punched in the deck for this, two on the outside corners and two toward the middle of the panel.)* Place the panel onto a set of sawhorses and drill the holes with a 1/2" drill bit.

__7) Install the Climbing Rocks: Flip the panel over and place it back on the sawhorses. You will need the six Climbing Rocks (3), twelve, 5/16" x 1" Button Head Nuts (6), twelve, 5/16" x 3/4" Button Head Bolts (7), and twelve, 3/8" Flat Washers. Place one 3/8" Flat Washer on each of the 5/16" x 1" Button Head Nuts. Place, one 5/16" x 3/4" Button Head Bolt through each of the holes in the Climbing Rocks. Place a drop of locktite into the nut. Insert the nut and flat washer through the underside of the panel and into the climbing rock and tighten the 5/16" x 3/4" Button Head Bolt to secure the Climbing Rock to the panel. (See detail B) Repeat this until all of the Climbing rocks are installed.

__8) Attach the Rock Wall to the Deck: You will need eight, 3/8" Flat Washers (9), four, 3/8" Lock Nuts (10) and four, 3/8" x 1 3/4" Button Head Bolts (11). Insert one bolt through one flat washer and then through the panel and deck. Secure it to the deck with a second Flat Washer and a Lock Nut. (See detail C)

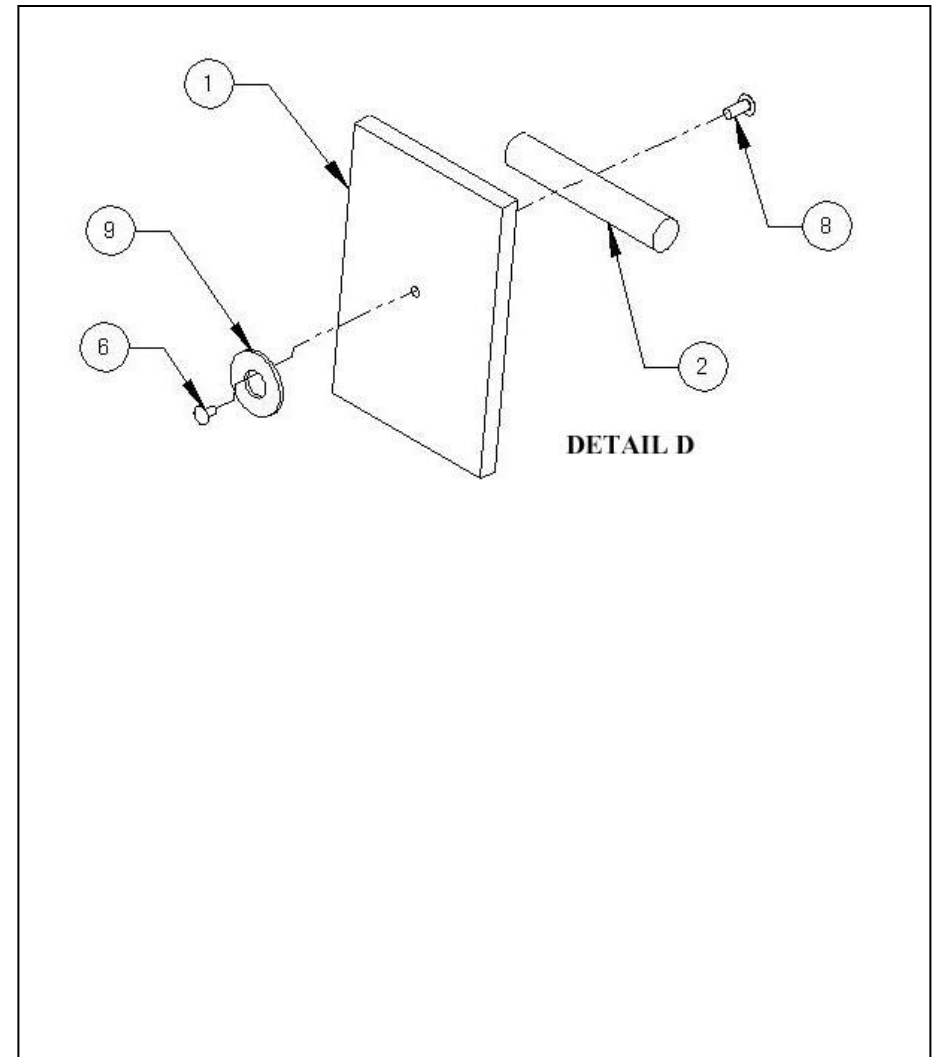


INSTALLATION STEPS CONTINUED

__9) **Attach the rock wall to the Bottom Bracket:** To do this you will need one, 5/16" x 1" Button Head Nut, one, 5/16" x 1 3/4" Button Head Bolt, and two, 3/8" Flat Washers. First locate the hole in the center of the Rock Wall Bottom Bracket. Using that hole as a guide, drill a 1/2" hole through the Rock Wall Panel. Secure the panel with the hardware needed for this step. (See detail D)

__10) **Install Safety Enclosure/Barriers:** You will need the Safety Enclosure/Barriers (12), two, Gaskets for Attachment Bracket (4) and eight, Self Tapping Screws (5). First you will need to mark the holes on the post for the Safety Enclosure/Barriers. The 1 3/8" pipe of the Safety Enclosure/Barriers must be 38" from the top surface of the deck to the top the 1 3/8" bent pipe. Mark and drill the holes. Secure the Safety Enclosure/Barriers to the posts with the Self Tapping Screws making sure that the Attachment Bracket Gasket is between the Safety Enclosure/Barrier and post. (See detail E)

__10) **Inspect the components:** for sharp edges and if necessary file them down and apply touch up paint.





THIS PAGE WAS INTENTIONALLY LEFT BLANK

INSTALLATION DETAILS

- Recommended crew (Adult): **1**
- Installation time: **30 min (.5 man hrs)**
- User age: **2-12**
- Use zone: **NA**
- Weight: **29**

SURFACING: Use of safety surfacing in compliance with ASTM specification F1292 is required.

MAINTENANCE:

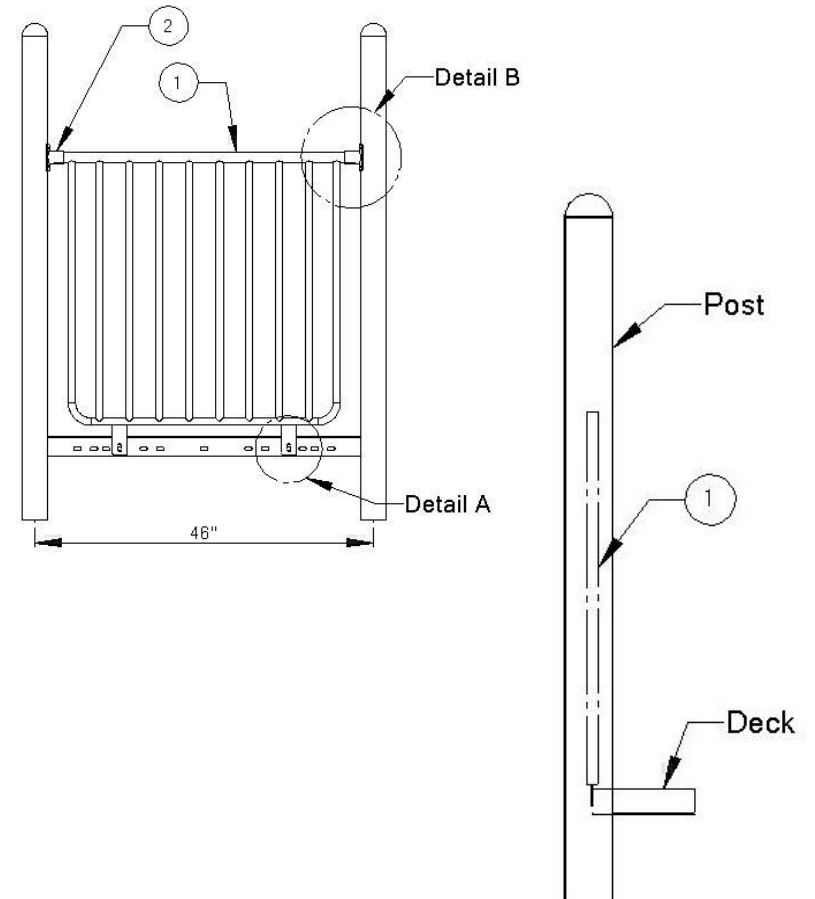
- As the owner of the playground you are responsible for maintenance of the equipment and play area. A maintenance schedule must be developed and the equipment inspected frequently. A maintenance section that includes component specific maintenance requirements is included at the end of this manual.
- Be sure to inspect surfacing for foreign objects that could cause injury and that sufficient surfacing is in place in accordance with ASTM and CPSC standards.



PARTS LIST

ID	PART #	DESCRIPTION	QTY
1	923-121	Guard Wall	1
2	913-402	Four-Hole Attachment Bracket	2
3	905-208	Attachment Bracket Gasket	2
4	905-526	Self-Tapping Screw	8
5	196-807	3/8"x3/8" Set Screw	2
6	126-703	3/8"x1" Button Head Bolt	2
7	316-601	3/8" Flat Washer	4
8	226-602	3/8" Lock Nut	2

NOTE: Keep a copy of these instructions on file to assist you with maintenance and replacement parts.





SPECIFICATIONS

- **Paint** – Electrostatically applied & oven cured powder coat
- **Hardware** – Stainless steel & tamper resistant
- **Tube** – FloCoat® Galvanized 1 3/8” O.D. and 1” O.D.
- **Attachment Bracket** – Powder coated cast aluminum
- **Guard Wall**-1 3/8” O.D. and 1” O.D.

SPECIAL SAFETY & ASTM COMPLIANCE NOTES

- **CRITICAL MEASUREMENT** IT IS EXTREMELY IMPORTANT THAT YOU MAINTAIN A MAXIMUM OF 3 1/2” DISTANCE BETWEEN THE TOP, BOTTOM, OR SIDES OF THE PANEL AND THE NEAREST EDGE OF THE DECK OR POSTS.

INSTALLATION TIPS & TROUBLE SHOOTING

- SportsPlay Equipment Inc. recommends pre-drilling the holes in the post when attaching a four-hole bracket with a number #7 drill bit. This will make the attachment of the four-hole bracket with the self-tapping screws easier and it will prevent damage to the screw head during installation.
- Apply loctite to all bolts during assembly prior to completely tightening them.
- Stainless Steel hardware can occasionally be difficult to use particularly if you need to take them out to make an adjustment. It is recommended that you add a drop of oil to bolts that may have to be removed before you install them.
- Do not tighten bolts all the way until the unit is completely assembled and all components are square and level.
- Identify and separate all parts by referencing the detail drawings and the parts list.
- As you unpack and separate the components, use the cardboard sheets that were used for packing and shipping to prevent damage to the components. This is particularly true all Powder Coated and Thermoplastic coated components, by setting the components on top of the cardboard.

BEFORE YOU BEGIN

In addition to the components on the packing list you will need a drill with a #7 drill bit, tape measure, 7/32" Allen Wrench, 9/16" wrench and a dry erase marker.

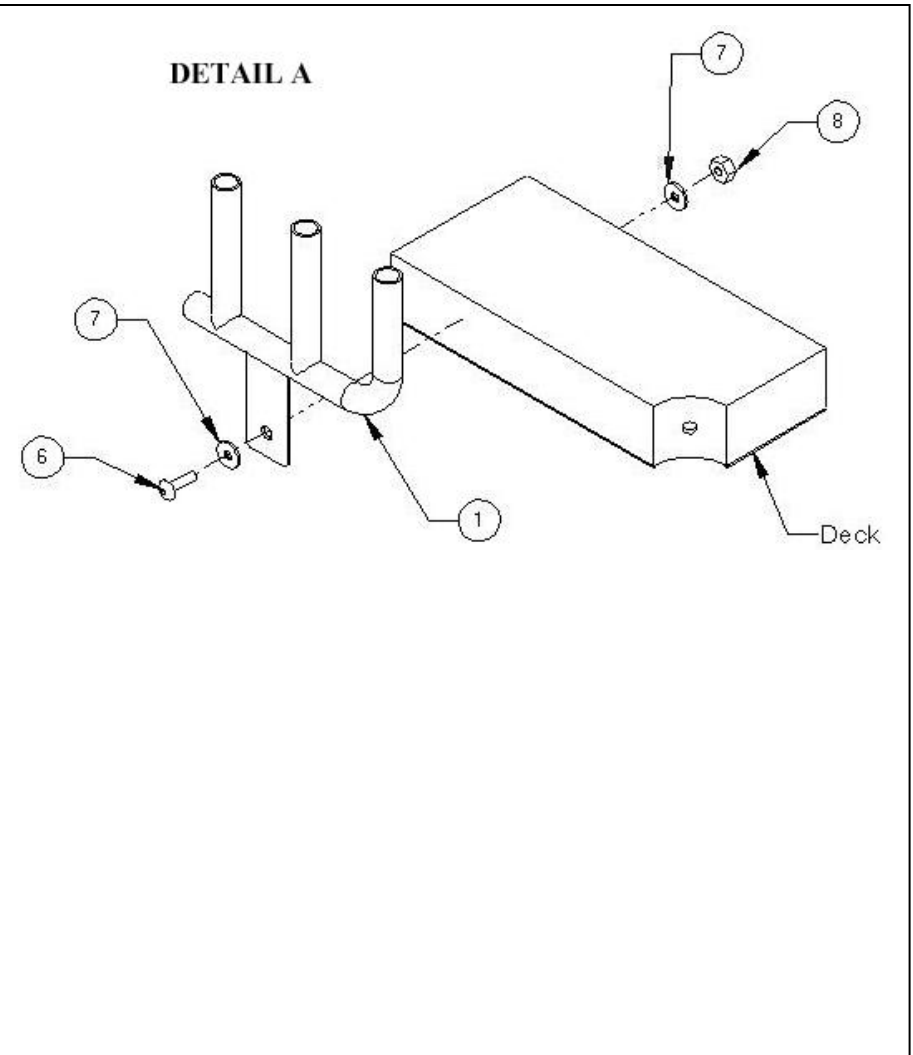
INSTALLATION STEPS

__1) Review all instructions before beginning:

__2) Unpack, organize, and identify all components: Be sure to place all painted components on a protective surface (cardboard, cloth, etc...) to prevent damage.

__3) Locate placement of the Guard Wall: See top down view of your instruction booklet.

__4) Attach Panel to Deck: You will need the Guard Wall (1) two Four-Hole Attachment Brackets (2), two Attachment Bracket Gaskets (3), eight Self-Tapping Screws (4), two 3/8"x3/8" Set Screws (5) two 3/8x1" Button Head Bolts (6), four 3/8" Flat washers (7) and two 3/8" Lock Nuts (8). First you will need to place the two Four-Hole Brackets on the Guard Wall but do not attach the brackets to the post at this time (See detail B). Using the 3/8x1" Button Head Bolts with a flat washer installed, place it through the tab on the Guard Wall and into the correct factory punched hole in the deck you are installing it to. Secure it with a 3/8 Flat Washer and 3/8" Locknut on the underside of deck, do not completely tighten locknut at this time. (See detail A)





THIS PAGE WAS INTENTIONALLY LEFT BLANK

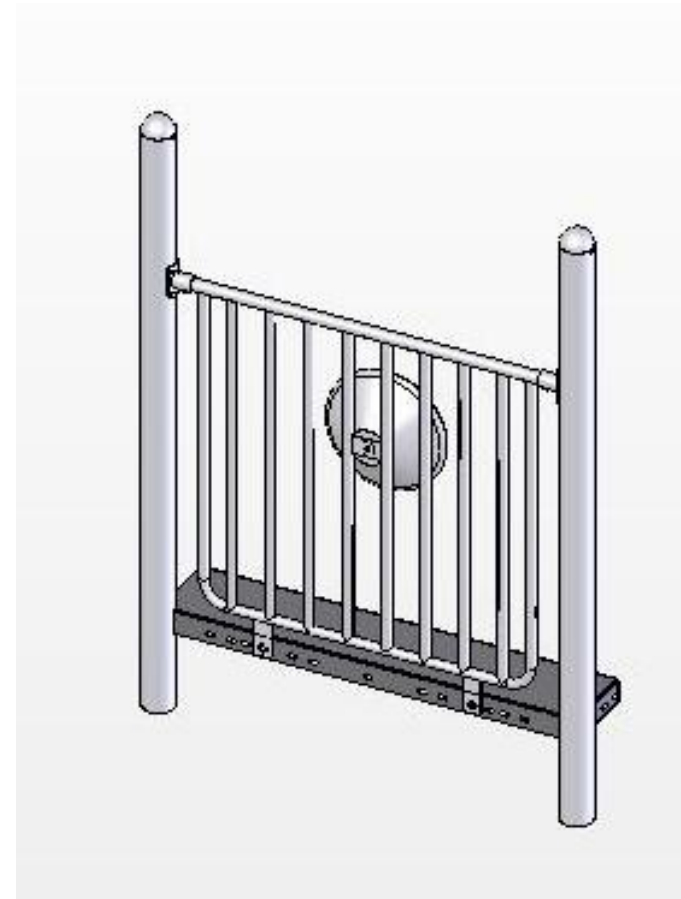
INSTALLATION DETAILS

- Recommended crew (Adult): **1**
- Installation time: **30 min (.5 man hrs)**
- User age: **2-12**
- Use zone: **NA**
- Weight: **31**

SURFACING: Use of safety surfacing in compliance with ASTM specification F1292 is required.

MAINTENANCE:

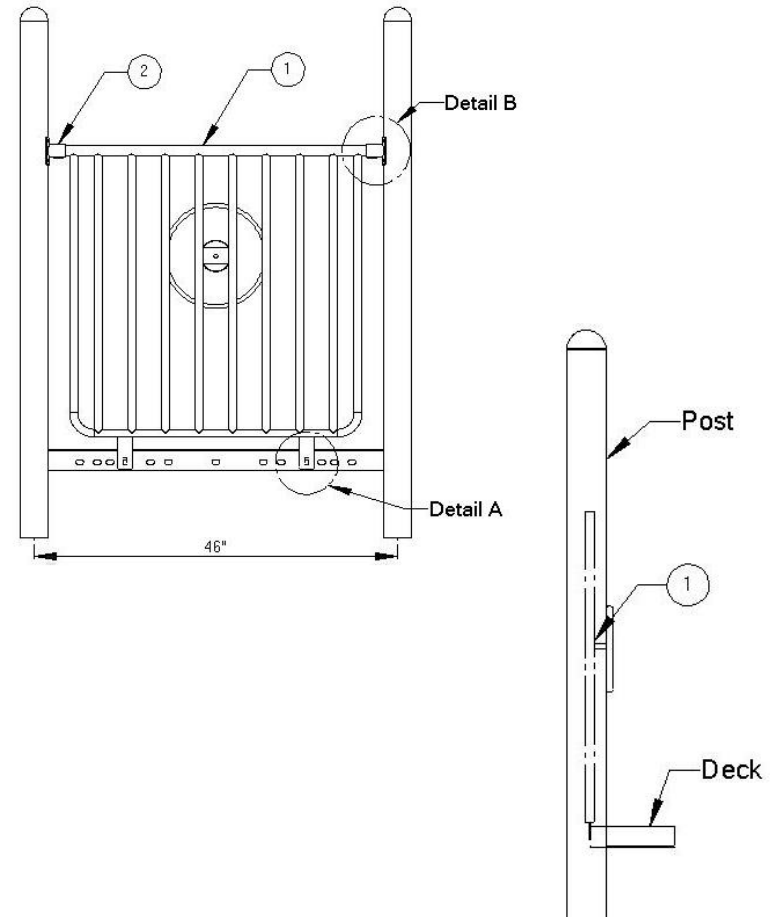
- As the owner of the playground you are responsible for maintenance of the equipment and play area. A maintenance schedule must be developed and the equipment inspected frequently. A maintenance section that includes component specific maintenance requirements is included at the end of this manual.
- Be sure to inspect surfacing for foreign objects that could cause injury and that sufficient surfacing is in place in accordance with ASTM and CPSC standards.



PARTS LIST

ID	PART #	DESCRIPTION	QTY
1	923-121-W	Guard Wall With Wheel	1
2	913-402	Four-Hole Attachment Bracket	2
3	905-208	Attachment Bracket Gasket	2
4	905-526	Self-Tapping Screw	8
5	196-807	3/8"x3/8" Set Screw	2
6	126-703	3/8"x1" Button Head Bolt	2
7	316-601	3/8" Flat Washer	4
8	226-602	3/8" Lock Nut	2
9	905-116 (Blue) 905-114 (Red) 905-117 (Yell)	Steering Wheel	1
10	126-815	1/2" x 5" Hex Bolt	1
11	316-801	1/2" Flat Washer	8
12	226-802	1/2" Lock Nut	1

NOTE: Keep a copy of these instructions on file to assist you with maintenance and replacement parts.





SPECIFICATIONS

- **Paint** – Electrostatically applied & oven cured powder coat
- **Hardware** – Stainless steel & tamper resistant
- **Tube** – FloCoat® Galvanized 1 3/8” O.D. and 1” O.D.
- **Attachment Bracket** – Powder coated cast aluminum
- **Guard Wall**-1 3/8” O.D. and 1” O.D.
- **Steering Wheel**-Injection Molded Plastic

SPECIAL SAFETY & ASTM COMPLIANCE NOTES

- **CRITICAL MEASUREMENT** IT IS EXTREMELY IMPORTANT THAT YOU MAINTAIN A MAXIMUM OF 3 1/2” DISTANCE BETWEEN THE TOP, BOTTOM, OR SIDES OF THE PANEL AND THE NEAREST EDGE OF THE DECK OR POSTS.

INSTALLATION TIPS & TROUBLE SHOOTING

- SportsPlay Equipment Inc. recommends pre-drilling the holes in the post when attaching a four-hole bracket with a number #7 drill bit. This will make the attachment of the four-hole bracket with the self-tapping screws easier and it will prevent damage to the screw head during installation.
- Apply loctite to all bolts during assembly prior to completely tightening them.
- Stainless Steel hardware can occasionally be difficult to use particularly if you need to take them out to make an adjustment. It is recommended that you add a drop of oil to bolts that may have to be removed before you install them.
- Do not tighten bolts all the way until the unit is completely assembled and all components are square and level.
- Identify and separate all parts by referencing the detail drawings and the parts list.
- As you unpack and separate the components, use the cardboard sheets that were used for packing and shipping to prevent damage to the components. This is particularly true all Powder Coated and Thermoplastic coated components, by setting the components on top of the cardboard.

BEFORE YOU BEGIN

In addition to the components on the packing list you will need a drill with a #7 drill bit, tape measure, 7/32" Allen Wrench, 9/16" wrench and a dry erase marker.

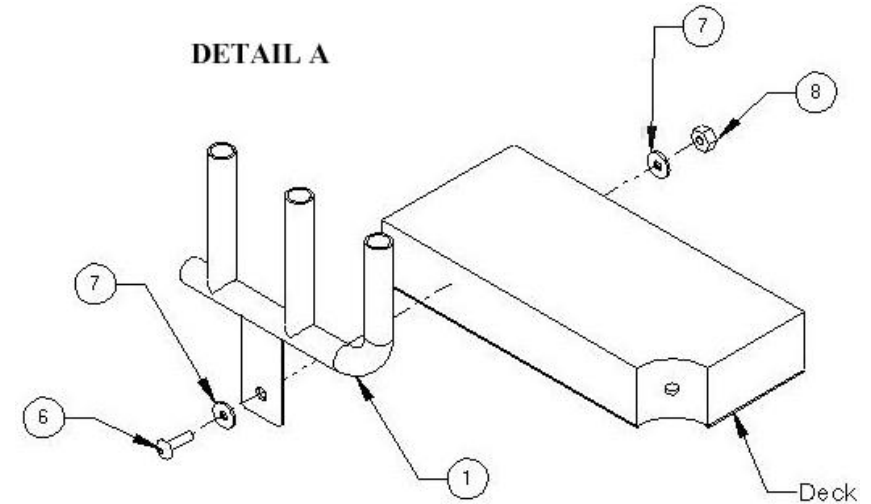
INSTALLATION STEPS

__1) Review all instructions before beginning:

__2) Unpack, organize, and identify all components: Be sure to place all painted components on a protective surface (cardboard, cloth, etc...) to prevent damage.

__3) Locate placement of the Guard Wall with Wheel: See top down view of your instruction booklet.

__4) Attach Panel to Deck: You will need the Guard Wall with Wheel (1) two Four-Hole Attachment Brackets (2), two Attachment Bracket Gaskets (3), eight Self-Tapping Screws (4), two 3/8"x3/8" Set Screws (5) two 3/8x1" Button Head Bolts (6), four 3/8" Flat washers (7) and two 3/8" Lock Nuts (8). First you will need to place the two Four-Hole Brackets on the Guard Wall with Wheel but do not attach the brackets to the playground post at this time. (See detail B) Using the 3/8x1" Button Head Bolts with a flat washer installed, place it through the Guard Wall with Wheel and into the correct factory punched hole in the deck you are installing it to. Secure it with a 3/8 Flat Washer and 3/8" Locknut on the underside of deck, do not completely tighten locknut at this time. (See detail A)

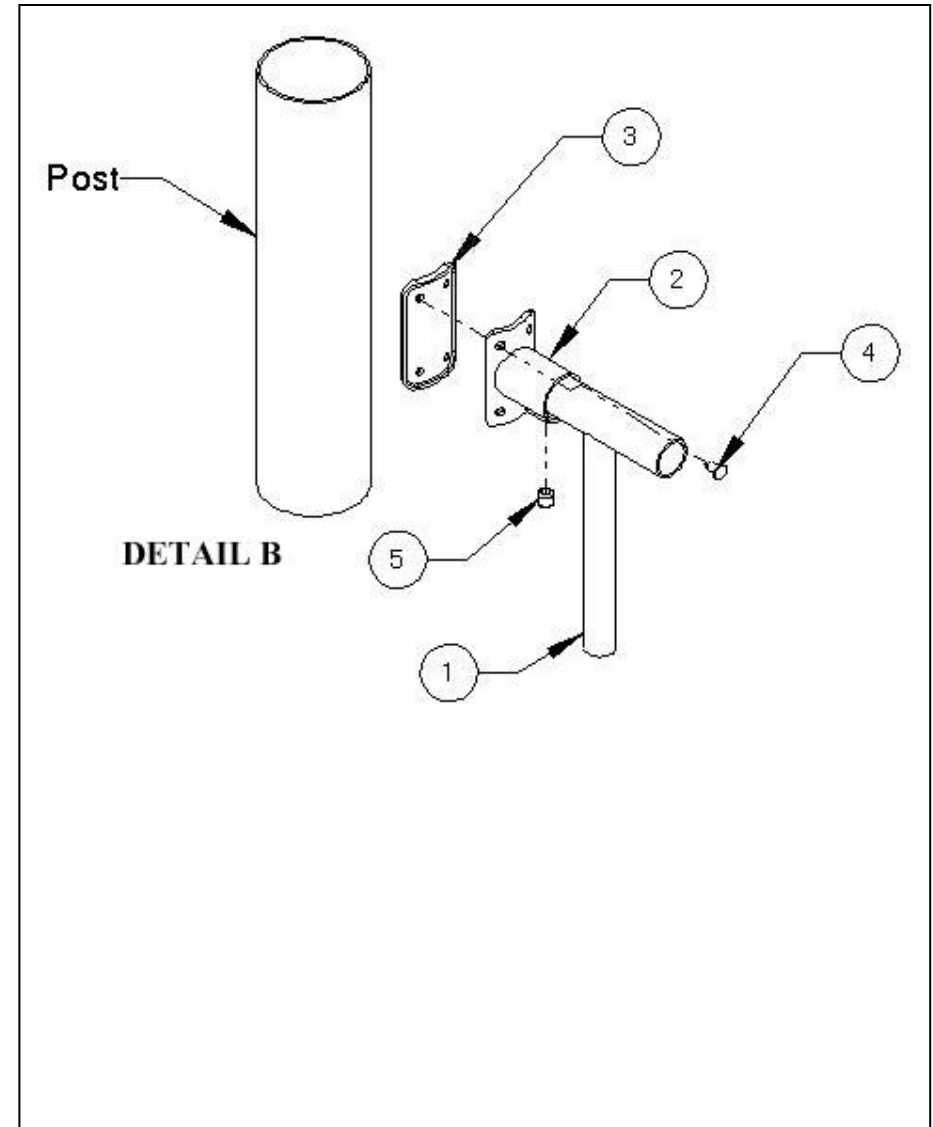


INSTALLATION STEPS CONTINUED

5) **Connect Four-Hole brackets to posts:** Now you need to install the Four-Hole Brackets to the posts. The top of the, Guard Wall with Wheel should be 38" from the surface of the deck to the top of the panel. Once you have the top of the panel at the correct height tighten the two 3/8"x1" Button Head bolts (6). The Four-Hole Brackets get installed with the Self-Tapping Screws (4) and Attachment Bracket Gaskets (5) make sure that the hole for the 3/8x 3/8" set screw is pointing down. **TIP: It's easier to install the self-tapping screws if you pre drill the holes in the post with a #7 drill bit.** Install the Self-Tapping Screws into the holes you have drilled in the posts with the Attachment Bracket Gasket between the post and Four- Hole Attachment Bracket. (See detail B)

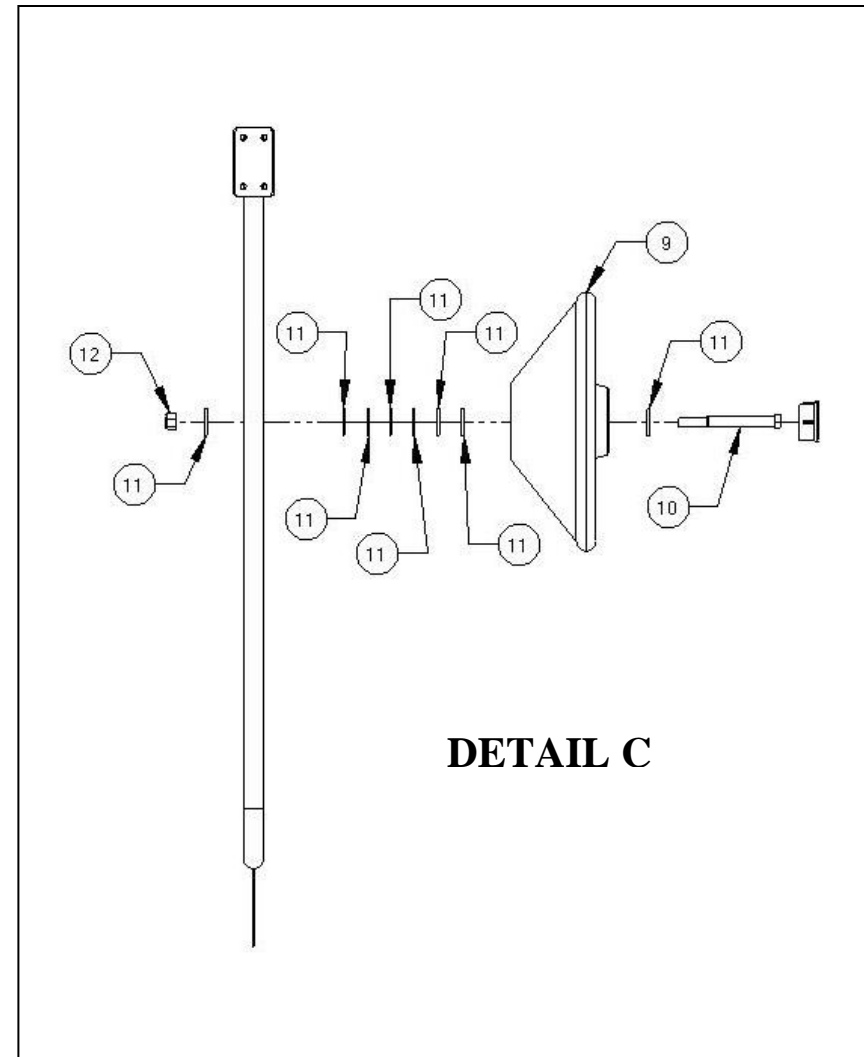
__6) **Secure the Guard Wall with Wheel to the Attachment Bracket:** Install and tighten the 3/8x3/8" Set Screw (5) in the Four-Hole Bracket. (See detail B)

__7 **Install the Steering Wheel:** You will Need the 1/2" x 5" Hex Bolt (10), eight 1/2" Flat Washers and one 1/2" Lock Nut. Place one 1/2" Flat Washer on the 1/2" x 5" Hex Bolt, insert this into the Steering Wheel and place six more 1/2" Flat Washers on the 1/2"x 5" Hex Bolt behind the Steering Wheel. Place this sub assembly into the factory punched hole in the Guard Wall with wheel Bracket. Place the remaining 1/2" Flat washer on the 1/2" Hex Bolt and secure it with the 1/2" Lock Nut. **DO NOT OVER TIGHTEN THE NUT. THE STEERING WHEEL MUST SPIN FREELEY.** (See Detail C)



INSTALLATION STEPS CONTINUED

__8) Inspect the components: for sharp edges and if necessary file them down and apply touch up paint.



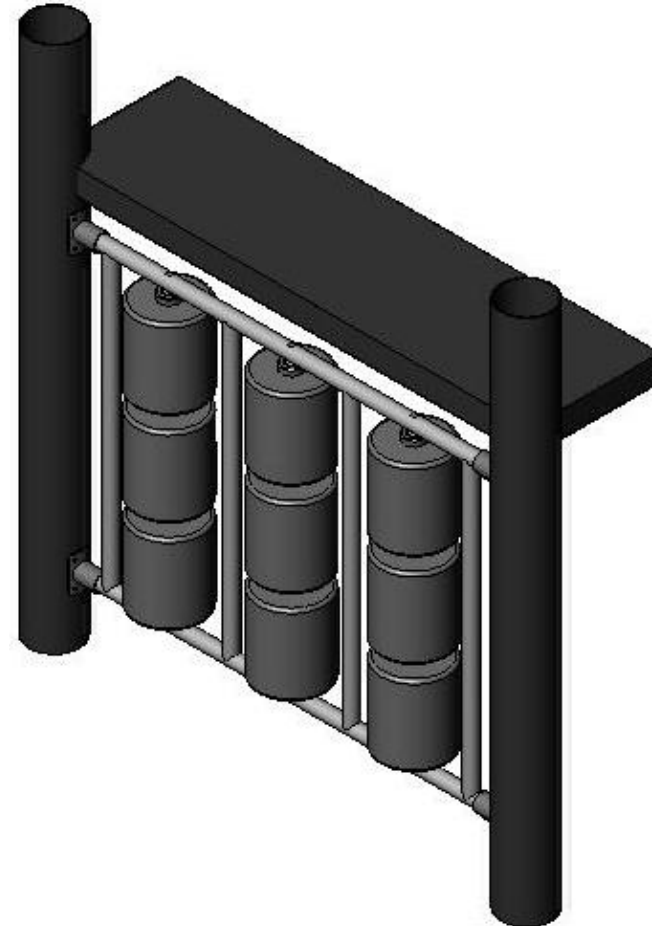
INSTALLATION DETAILS

- Recommended crew (Adult): 2
- Installation time: **30 min (1 man hr)**
- User age: **2-12 years**
- Use zone: **72" in all directions**
- Weight: **36 lbs**

SURFACING: Use of safety surfacing in compliance with ASTM specification F1292 is required.

MAINTENANCE:

- As the owner of the playground you are responsible for maintenance of the equipment and play area. A maintenance schedule must be developed and the equipment inspected frequently. A maintenance section that includes component specific maintenance requirements is included at the end of this manual.
- Be sure to inspect surfacing for foreign objects that could cause injury and that sufficient surfacing is in place in accordance with ASTM and CPSC standards.



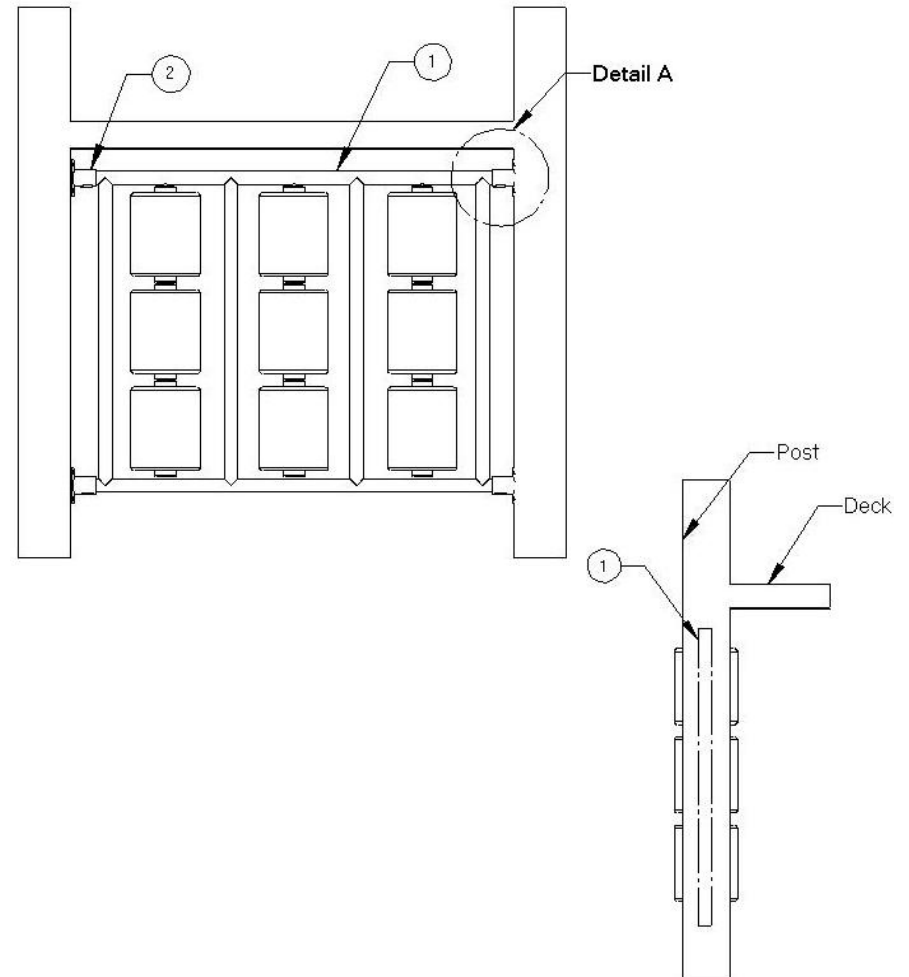


922-175-T TIC TAC TOE PANEL BELOW DECK INSTALLATION INSTRUCTION

PARTS LIST

ID	PART #	DESCRIPTION	QTY
1	923-175-f	Tic Tac Toe frame below deck	1
2	913-402	Four-Hole Attachment Bracket	4
3	905-208	Attachment Bracket Gasket	4
4	905-526	Self-Tapping Screw	16
5	196-807	3/8" x 3/8" Set Screw	4

NOTE: Keep a copy of these instructions on file to assist you with maintenance and replacement parts.





922-175-T TIC TAC TOE PANEL BELOW DECK INSTALLATION INSTRUCTION

SPECIFICATIONS

- **Tube** – FloCoat® Galvanized 1 3/8” O.D. and 1” O.D.
- **Hardware** – Stainless steel & tamper resistant
- **Paint** – Electrostatically applied & oven cured powder coat
- **Attachment Bracket** – Powder coated cast aluminum
- **Tic Tac Toe Frame**- 1 3/8” tube MIG welded together.
- **Tic Tac Toe Spindle**- 1” tube with a 3/8” T nut MIG welded together.
- **Dino Block**-Roto Molded plastic.

SPECIAL SAFETY & ASTM COMPLIANCE NOTES

- **CRITICAL MEASUREMENT** IT IS EXTREMELY IMPORTANT THAT YOU MAINTAIN A MAXIMUM OF 3 1/2” DISTANCE BETWEEN THE TOP, BOTTOM, OR SIDES OF THE PANEL AND THE NEAREST EDGE OF THE DECK OR POSTS.

INSTALLATION TIPS & TROUBLE SHOOTING

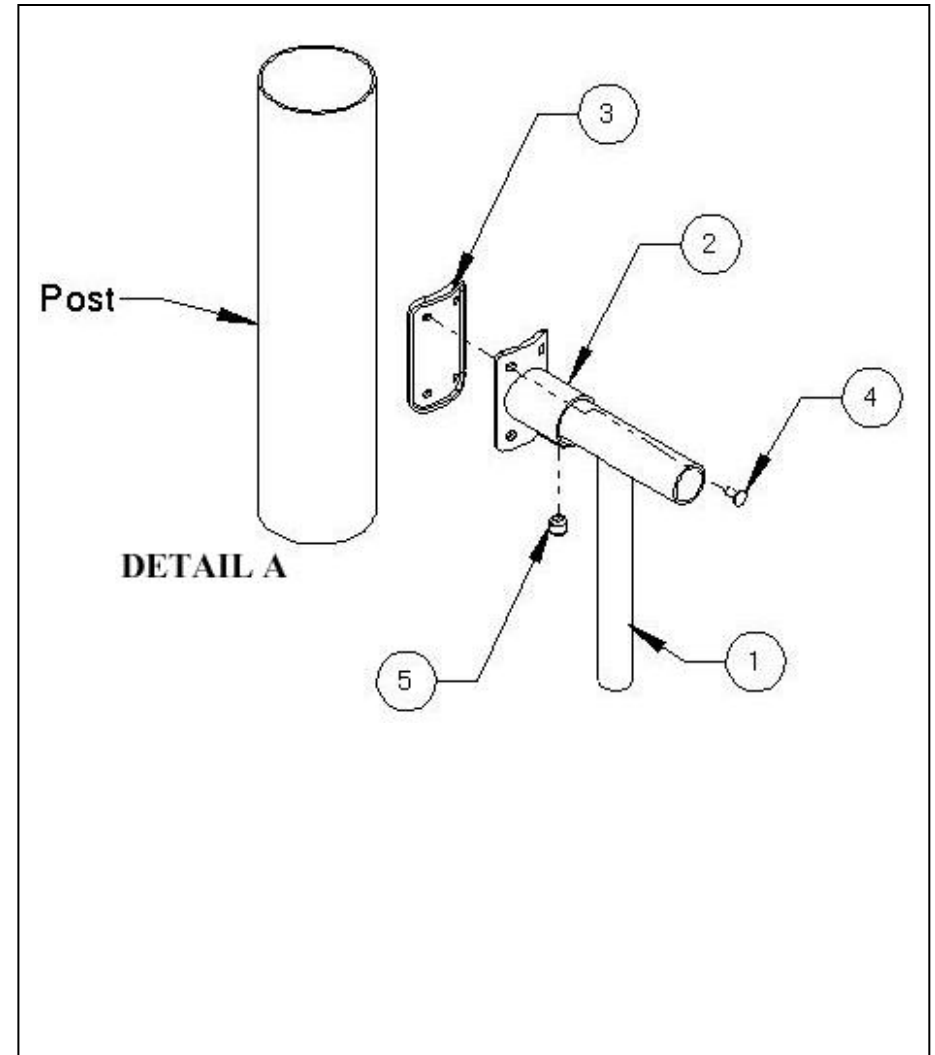
- SportsPlay Equipment Inc. recommends pre-drilling the holes in the post when attaching a four-hole bracket with a number #7 drill bit. This will make the attachment of the four-hole bracket with the self-tapping screws easier and it will prevent damage to the screw head during installation.
- Apply locktite to all bolts during assembly prior to completely tightening them.
- Stainless Steel hardware can occasionally be difficult to use particularly if you need to take them out to make an adjustment. It is recommended that you add a drop of oil to bolts that may have to be removed before you install them.
- Do not tighten bolts all the way until the unit is completely assembled and all components are square and level.
- Identify and separate all parts by referencing the detail drawings and the parts list.
- As you unpack and separate the components, use the cardboard sheets that were used for packing and shipping to prevent damage to the components. This is particularly true all Powder Coated and Thermoplastic coated components, by setting the components on top of the cardboard.

BEFORE YOU BEGIN

In addition to the components on the packing list you will need a tape measure, drill with a #7 bit and a 7/32 wrench.

INSTALLATION STEPS

- __1) Review all instructions before beginning:**
- __2) Unpack, organize, and identify all components:** Be sure to place all painted components on a protective surface (cardboard, cloth, etc...) to prevent damage.
- __3) Locate placement of the Dino Panel:** See top down view of your instruction booklet.
- __4) Mark posts for location of Four-Hole Brackets:** After you have the proper location, place a Four Hole Bracket (2) on each end of the Tic Tac Toe Panel (1). *CRITICAL MEASUREMENT* IT IS EXTREMELY IMPORTANT THAT YOU MAINTAIN A MAXIMUM OF 3 1/2" DISTANCE BETWEEN THE TOP, BOTTOM, OR SIDES OF THE PANEL AND THE NEAREST EDGE OF THE DECK OR POSTS. After You Have determined the correct height of the Panel mark and drill the holes for the Four Hole Brackets. (See detail A)
- __5) Install the Four Hole Brackets:** Install the Self-Tapping Screws (4) into the holes you have drilled in the posts with the Attachment Bracket Gasket (3) between the post and Four- Hole Attachment Bracket (2). Making sure the threaded hole is facing the ground. (See detail A)





INSTALLATION STEPS CONTINUED

__6) **Secure the Panel to the Attachment Brackets:** Install and tighten the 3/8" x 3/8" Set Screw (5) in the Four-Hole Bracket. (See detail A)

__7) **Inspect the components:** for sharp edges and if necessary file them down and apply touch up paint.



**922-175-T TIC TAC TOE PANEL BELOW DECK
INSTALLATION INSTRUCTION**

THIS PAGE WAS INTENTIONALLY LEFT BLANK

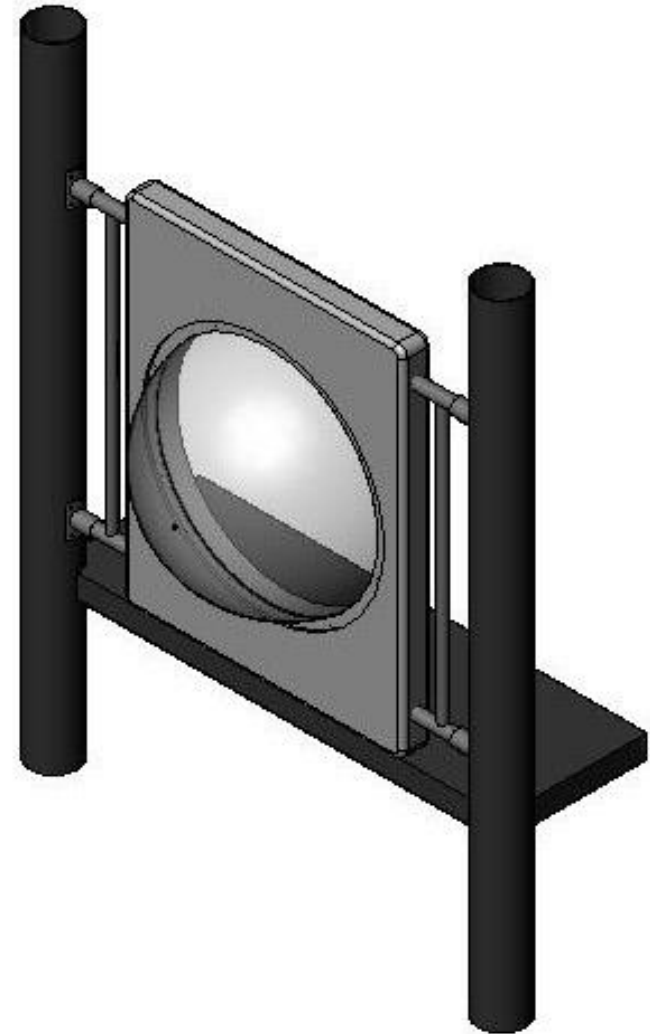
INSTALLATION DETAILS

- Recommended crew (Adult): **1**
- Installation time: **30 min (1 man hrs)**
- User age: **2-12**
- Use zone: **NA**
- Weight: **22**

SURFACING: Use of safety surfacing in compliance with ASTM specification F1292 is required.

MAINTENANCE:

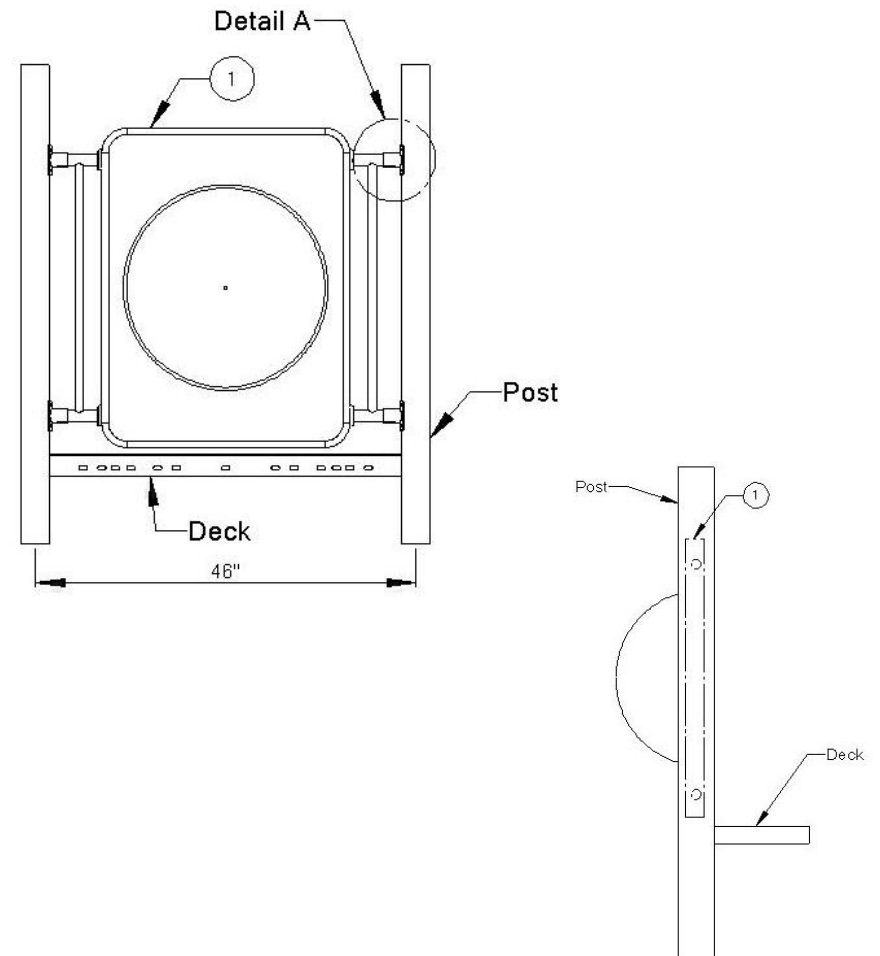
- As the owner of the playground you are responsible for maintenance of the equipment and play area. A maintenance schedule must be developed and the equipment inspected frequently. A maintenance section that includes component specific maintenance requirements is included at the end of this manual.
- Be sure to inspect surfacing for foreign objects that could cause injury and that sufficient surfacing is in place in accordance with ASTM and CPSC standards.



PARTS LIST

ID	PART #	DESCRIPTION	QTY
1	435-665	Bubble Window	1
2	913-402	Four-Hole Attachment Bracket	4
3	905-208	Attachment Bracket Gasket	4
4	905-526	Self-Tapping Screw	16
5	196-807	3/8"x3/8" Set Screw	4

NOTE: Keep a copy of these instructions on file to assist you with maintenance and replacement parts.





SPECIFICATIONS

- **Paint** – Electrostatically applied & oven cured powder coat
- **Hardware** – Stainless steel & tamper resistant
- **Tube** – FloCoat® Galvanized 1 3/8” O.D. and 1” O.D.
- **Bubble Window**-Roto-Molded Plastic.

SPECIAL SAFETY & ASTM COMPLIANCE NOTES

- ***CRITICAL MEASUREMENT*** IT IS EXTREMELY IMPORTANT THAT YOU MAINTAIN A MAXIMUM OF 3 1/2” DISTANCE BETWEEN THE BOTTOM, OR SIDES OF THE BUBBLE WINDOW AND THE NEAREST EDGE OF THE DECK OR POSTS.

INSTALLATION TIPS & TROUBLE SHOOTING

- SportsPlay Equipment Inc. recommends pre-drilling the holes in the post when attaching a four-hole bracket with a number #7 drill bit. This will make the attachment of the four-hole bracket with the self-tapping screws easier and it will prevent damage to the screw head during installation.
- Apply locktite to all bolts during assembly prior to completely tightening them.
- Stainless Steel hardware can occasionally be difficult to use particularly if you need to take them out to make an adjustment. It is recommended that you add a drop of oil to bolts that may have to be removed before you install them.
- Do not tighten bolts all the way until the unit is completely assembled and all components are square and level.
- Identify and separate all parts by referencing the detail drawings and the parts list.
- As you unpack and separate the components, use the cardboard sheets that were used for packing and shipping to prevent damage to the components. This is particularly true all Powder Coated and Thermoplastic coated components, by setting the components on top of the cardboard.

BEFORE YOU BEGIN

In addition to the components on the packing list you will need a drill with a #7 drill bit, tape measure, and a dry erase marker.

INSTALLATION STEPS

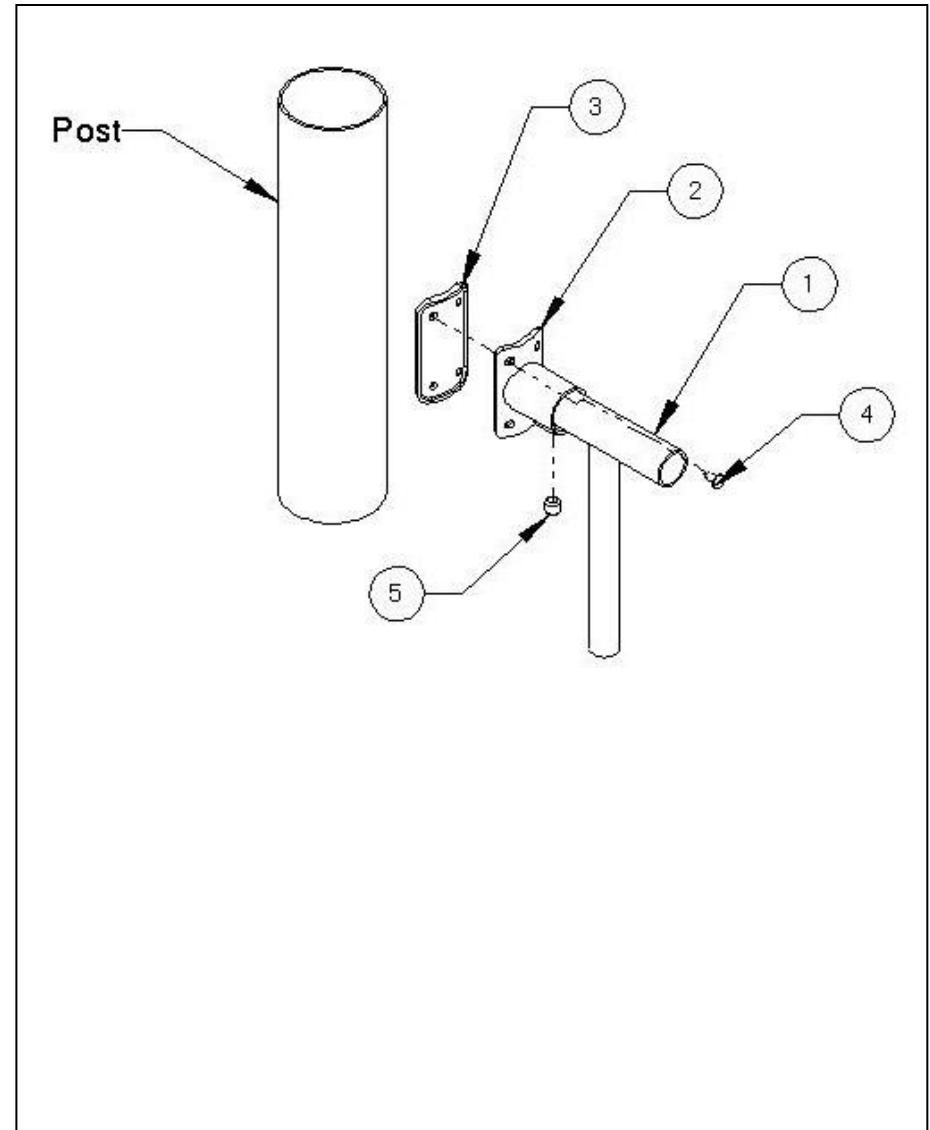
__1) Review all instructions before beginning:

__2) Unpack, organize, and identify all components: Be sure to place all painted components on a protective surface (cardboard, cloth, etc...) to prevent damage.

__3) Locate placement of the Bubble Window: See top down view of your instruction booklet.

__4) Connect Four-Hole brackets to posts: First you will need to fit the Four-Hole Brackets (2) onto the Bubble Window (1). The top of the Bubble window should be 38" from the surface of the deck to the top of the Bubble Window. Once you have the top Bubble Window at the correct height, mark the locations for the Four-Hole Brackets. **TIP: It's easier to install the self-tapping screws if you pre drill the holes in the post with a #7 drill bit.** Install the Four Hole Attachment Bracket to the post with the 3/8" threaded hole facing the ground and the Attachment Bracket Gasket between the post and the Four Hole Attachment Bracket. (See detail A)

- **CRITICAL MEASUREMENT** IT IS EXTREMELY IMPORTANT THAT YOU MAINTAIN A MAXIMUM OF 3 1/2" DISTANCE BETWEEN THE BOTTOM, OR SIDES OF THE BUBBLE WINDOW AND THE NEAREST EDGE OF THE DECK OR POSTS.





INSTALLATION STEPS CONTINUED

__5) Secure the Bubble Window to the Attachment Bracket:
Install and tighten the 3/8" x 3/8" Set Screw (5) in the Four-Hole Bracket. (See detail A)

__6) Center the Bubble Window Panel: You will now need to center the Bubble Window between the posts. Measure from each of the posts that the Bubble Window is connected to; make the measurement the same on each side. Now you can slide the aluminum collar over to the Bubble Window and secure it to the pipe with the 1/8" set screw that was installed at the factory.

__7) Inspect the components: for sharp edges and if necessary file them down and apply touch up paint



THIS PAGE WAS INTENTIONALLY LEFT BLANK