



## **INSTALLATION INSTRUCTIONS**

**MODEL JACK  
WITH BRACKET (NO CLAMP)  
STANDARD LAYOUT**

**Please read the entire manual before beginning installation.**





## TAB SECTION INDEX

1. 3D AND 2D DRAWINGS
2. INSTALLATION GUIDE
3. INSTALLATION STEPS
4. COMPONENT INSTALLATION
5. APPENDIX
6. ORIGINAL COMPONENT MAINTENANCE FORMS
7. COMPLETED COMPONENT MAINTENANCE FORMS





**Table of Contents**

**3D DRAWING** ..... 4  
**TOP DOWN VIEW** ..... 5  
**FOOTING VIEW**..... 6  
**POST ID VIEW**..... 7  
**Important** ..... 8  
    **When you receive your playground** ..... 8  
    **Before you begin** ..... 8  
**Safety Surfacing**..... 10  
**Tools and Materials**..... 11  
**BEFORE BEGINNING** ..... 12  
    **SITE REQUIREMENTS**..... 12  
    **MAINTENANCE:**..... 12  
    **PLAY AREA:** ..... 12  
**Installation Punch List** ..... 14  
    **Footing Layout Example** ..... 14  
    **Step 1: Layout**..... 15  
    **Step 2: Holes** ..... 15  
    **Step 3: Deck, Post & Component Installation** ..... 16  
    **Step 4: Concrete**..... 17  
    **Step 5: Last Step**..... 17  
    **Four Hole Bracket & Panel Bracket Installation** ..... 18  
    **Other Installation Tips**..... 19  
**SUPERVISION GUIDE** ..... 21

**HARDWARE DRAWINGS**

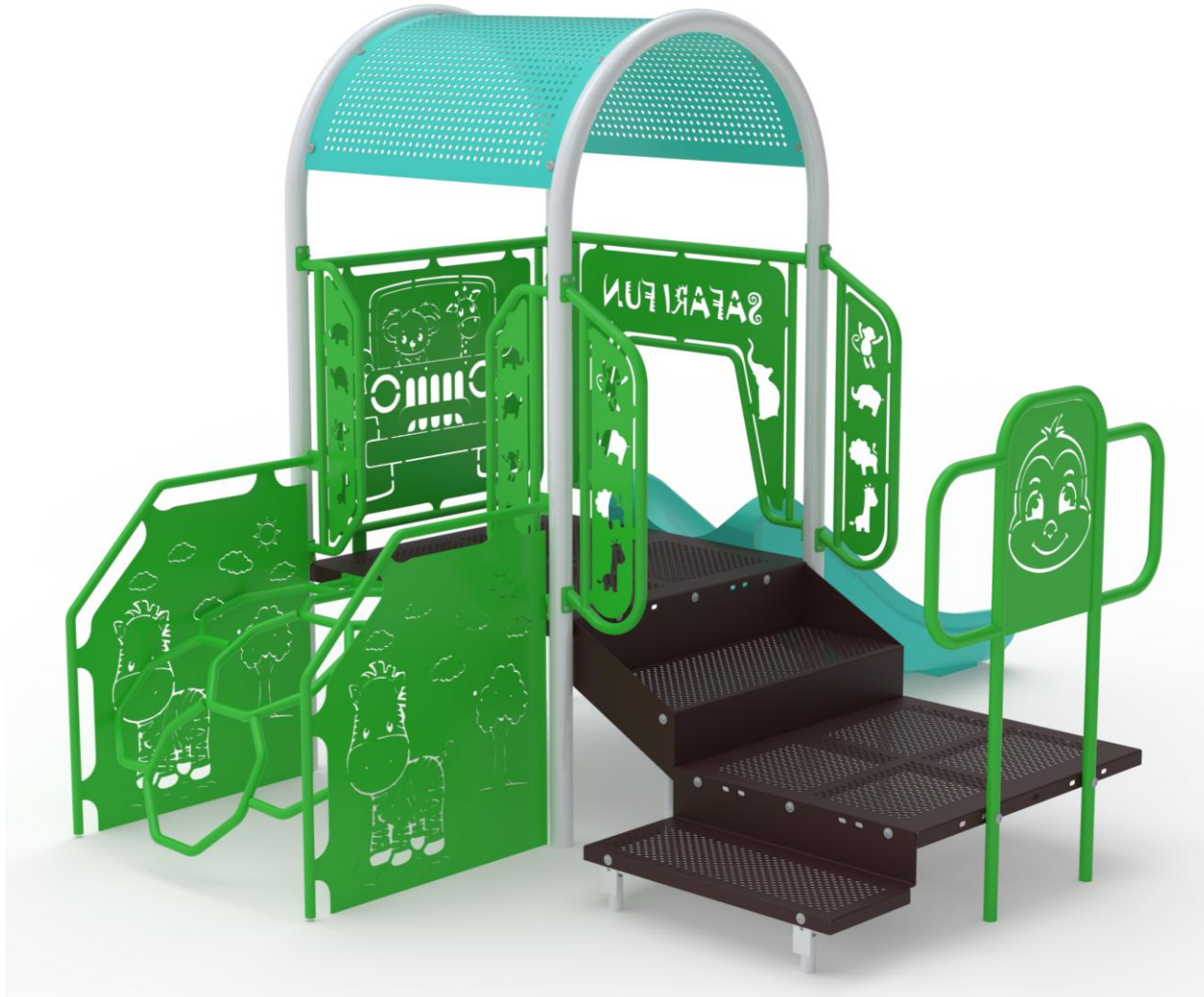
**COMPONENT INSTALLATION INSTRUCTION SETS**

**APPENDIX**

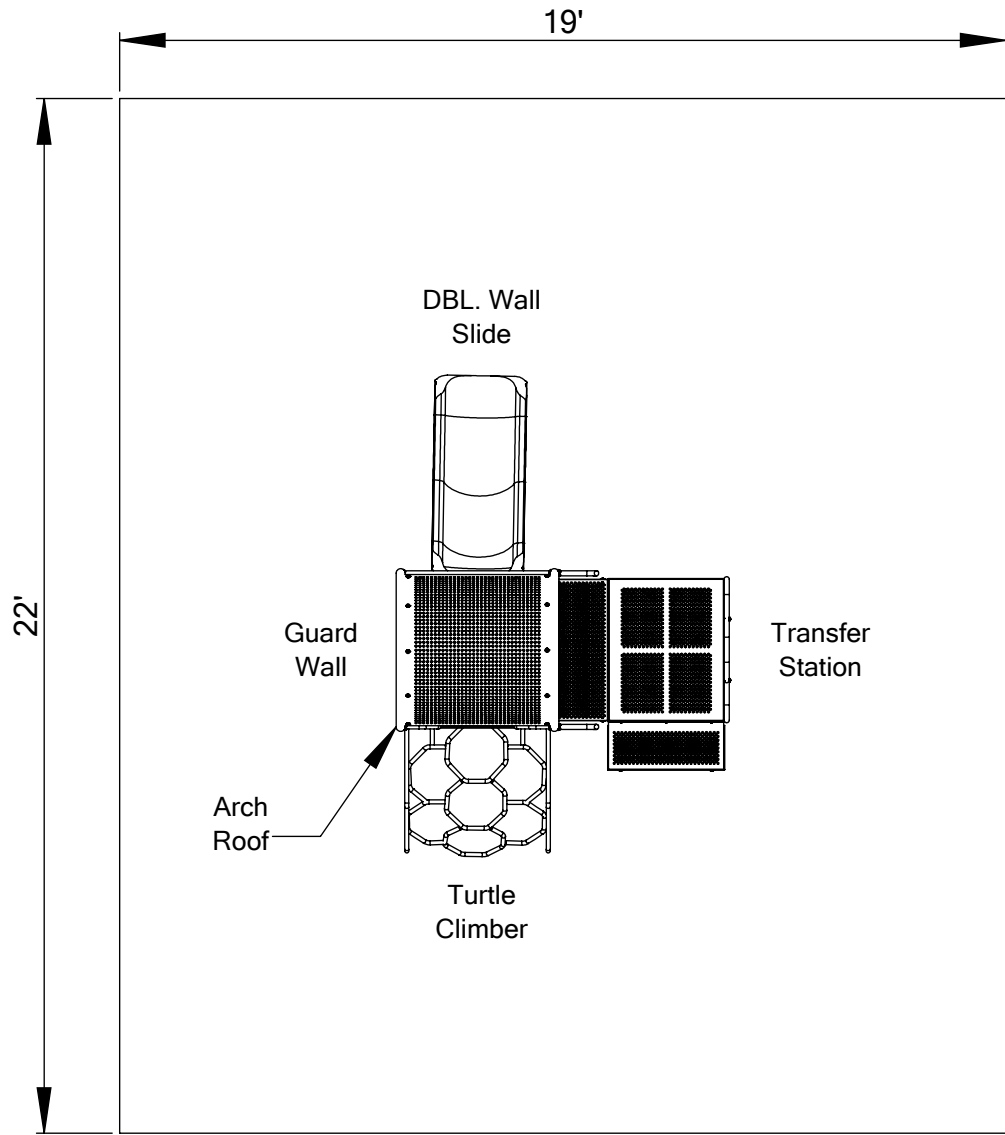
**FINAL INSTALLATION STEPS**

**MAINTENANCE AND INSPECTION**









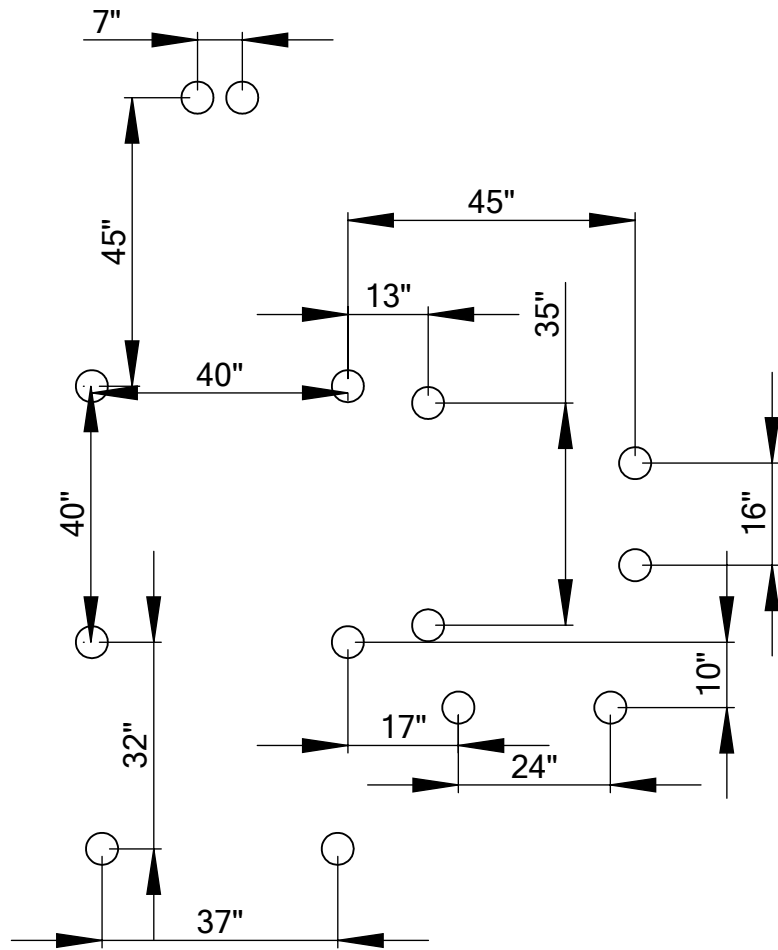
*SportsPlay*

Size: 13' X 16'  
 Use Zone: 19' X 22'  
 Age Group: 2-5

Drawn By:	Date
E. Barron	01-01-26
CPSC: Compliant ASTM: Compliant	

Project: Tot Town Model Jack	
Drawing Number: #911-300	
Distributor: SportsPlay Inc.	
Scale: 1:50	Sheet 1 of 1





*SportsPlay*

Size: 0' X 0'  
 Use Zone: 19' X 22'  
 Age Group: 2-5

Drawn By:

E.Barron

Date

01-01-26

CPSC: Compliant  
 ASTM: Compliant

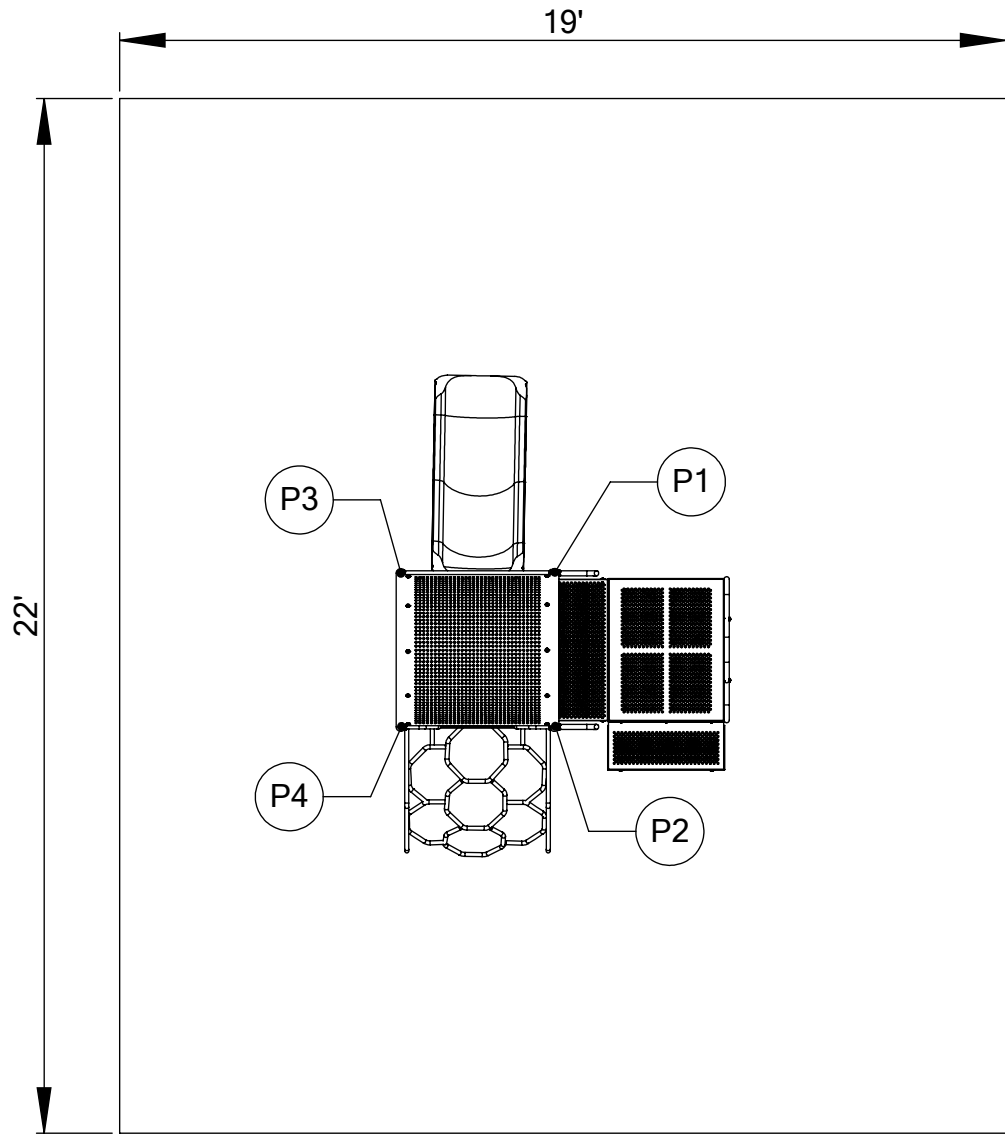
Project: Tot Town Model Jack

Drawing Number: #911-300  
 Distributor: SportsPlay Inc.

Scale: 1:30

Sheet 1 of 1





*SportsPlay*

Size: 0' X 0'  
 Use Zone: 19' X 22'  
 Age Group: 2-5

Drawn By:	Date
E.Barron	01-01-26
CPSC: Compliant ASTM: Compliant	

Project: Tot Town Model Jack	
Drawing Number: #911-300 Distributor: SportsPlay Inc.	
Scale: 1:50	Sheet 1 of 1





# Tot Town Series Installation Guide

## **Important**

### **Please read completely before beginning installation.**

This equipment has been designed for safety as well as challenge and fun. This equipment has been designed to reduce injuries and therefore must be installed “Step by Step” per our Instructions.

The U.S. Consumer Product Safety Commission (CPSC) published a report stating 79% of all playground injuries treated in U.S. Emergency Rooms was the result of a fall. It is critical that you refer to the Protective Surfacing section of these instructions, located on the next page prior to installing your playground. As the owner you are responsible for the safe installation of not only the play equipment, but also the safety of the site.

### **When your receive your playground**

- Identify all parts by comparing them to the part list and component instruction pages.
- Always compare the number of pallets, cartons or other items the BOL has listed with the number actually received. Note the any discrepancies on the BOL.
- Also note any obvious damage to the packing materials, pallets or components on the BOL.
- Equipment should be inventoried and installed within a few days of receipt. The packing materials are meant to protect the equipment during shipping and not for storage. Heat, weather and sunlight can damage the packing materials, which can impact the components. If storage is required you must store the equipment in a controlled environment away from heat, moisture and sunlight. SportsPlay recommends carefully unpacking the unit and taking an inventory before

storing the equipment. Care should be taken with all powder coated and thermoplastic-coated parts to prevent damage to the coating. Additionally all plastic panels need to be stored flat to prevent warping.

- You have 30 days from receipt of your equipment to file a claim for missing or damaged parts.

### **Before you begin**

Review your playground footing and top view drawings to ensure your site is large enough. The use zone for playground structures extends 6’ (72”) from its perimeter. Remember that you may not overlap the use zone of any slide with another playground. These guidelines are available from the CPSC (contact information for the CPSC is located on the next page).

- Read through the entire instruction booklet before beginning the actual installation.
- Before you begin preparing the site or digging any holes you must first contact you local utility companies so they can visit the site and mark all of the buried utilities. In the U.S. you may call 811 and your call will be routed to your local utility center.
- This equipment was designed to install on a clear and level site. There should be no more than 3” of grade variations in a 10’ span.
- Footing layout is the first critical step once the installation begins. Mark all holes using the footing diagram. Prior to digging holes compare the measurements from the footing diagram to the actual site markings to ensure accuracy. Then check it again! (Footing info is located on pg 16 in this guide)
- Our posts are manufactured to accommodate 12” of protective surfacing.
- Evaluate the site for drainage. To ensure good drainage around the equipment consult a local professional.



## Tot Town Series Installation Guide

---

- Do not leave the jobsite un-attended during installation unless all access points to the play area are secure, all bolts and fasteners are tight and all ground holes are covered.
- SportsPlay Equipment inc. has provided two warning labels that state: “WARNING – Installation over a hard surface such as concrete, asphalt or packed earth may result in serious injury or death from falls.” These labels must be installed on vertical posts as per ASTM F1487. Instructions for the placement of these labels are included in the appendix of this booklet.
- SportsPlay will provide manufacturer identification labels that must be installed on the structure during installation per ASTM F1487. Installation instructions for these labels are included in the appendix of this instruction manual.
- Labels must be replaced when they are no longer legible. Contact your distributor for replacement labels.



### **Safety Surfacing**

**WARNING! – INSTALLATION OVER A HARD SURFACE SUCH AS CONCRETE, ASPHALT OR PACKED EARTH MAY RESULT IN SERIOUS INJURY OR DEATH FROM A FALL**

Because accidental falls are likely to occur around play equipment, SportsPlay Equipment Inc. recommends that a resilient safety surfacing that will meet standard ASTM F1292 be placed under and around the structure and extend throughout the entire use zone.

SportsPlay Equipment Inc. does not manufacture safety surfacing. All manufacturers of safety surfacing require different depths of surfacing for fall heights. Consult your surfacing supplier about the required safety surfacing depth for your play equipment.

**SportsPlay Equipment Inc. manufactures all playgrounds to accommodate 12” of safety surfacing. If you intend to adjust the height of the surfacing you will need to adjust the depth of the footing to accommodate the surfacing height.**

Refer to the CPSC Handbook for Public Playground Safety for the recommended type and depth of the protective surfacing as well as all other playground safety concerns.

For a copy of the most current issue of the CPSC Handbook for Public Playground Safety, write to:

**U.S. Consumer Product Safety Commission**  
Office of Information and Public Affairs  
Washington DC, 20207  
USA

Call - 1-800-638-2772 (US and Canada only)  
Call - 301-504-0990  
Direct Link - <http://www.cpsc.gov>

For a copy of either the standard for surfacing (ASTM F1292) or for play equipment (ASTM 1487) write to:

**American Society for Testing and Materials**  
100 Bar harbor drive  
West Conshohocken PA, 19428-2959  
USA

Call – 618-832-9585

Web Site – [www.astm.org](http://www.astm.org)

You must consider the type of safety surfacing you will use before beginning the installation process. There are two general types, organic/loose fill or synthetic unitary (pour in place). You must know which type of surfacing you are going to use prior to installing the playground. This unit was designed for 12” of loose fill surfacing so if the customer wants to use a synthetic unitary product that has a much smaller height than 12” you must dig the footing holes deeper to allow for the difference.

If loose fill surface material is to be used (example: wood mulch) you will need to consider containment borders. There are many products to choose from including hard plastic and natural products such as wood (Creosoted railroad ties are NOT recommended for use as borders in a play area). Loose fill materials are easily displaced so use of some type of containment border is necessary to keep the surfacing material inside the intended area. Some customers also prefer to have a weed mat installed to prevent weed growth. Choose a mat that will prevent growth but will also allow for drainage.



# Tot Town Series Installation Guide

## Tools and Materials

List is for tools and materials needed that are not included with the playground

Follow manufacturer's guidelines for proper use of tools and materials.

- The best method (also the easiest) to dig the postholes is using a tractor with a 12" auger attachment.
- Shovels (long handled spades)
- Post hole digger
- Wheelbarrow
- Large construction bar (5')
- Pry bar
- Claw hammer
- Large dead-blow rubber hammer
- Small sledgehammer to use in blocking the posts
- Vise grips (various sizes and styles)
- Strong and sturdy step ladders
- Socket set's (1/2" & 3/8" drive)
- Extension cords & power supply
- Drills (1/2" and 3/8")
- Drill bits and spade bits
- Levels – Magnetic torpedo and 4' long levels
- Scrap lumber to use for shims in post holes to keep posts level
- Blocking materials for the post holes (bricks, concrete blocks, etc.)
- 4' Bar Clamp
- Files and sand paper
- Safety surfacing
- Spray paint to mark holes
- String line
- Cement (2,500 psi minimum)
- Straight line or transit level (and tripod) for ensuring hole depths are at the same level



# Tot Town Series Installation Guide

**BEFORE STARTING INSTALLATION OF YOUR PLAYGROUND,  
PLEASE READ INSTRUCTIONS THOROUGHLY.**

## **BEFORE BEGINNING**

### **SITE REQUIREMENTS**

The Playground system is designed to suit a level site. Should there be any falls or slopes on the site; care should be taken to accommodate the entry and exit points and to maintain the correct height. There should not be more than 3” of drop in grade per every 10’.

The site must be inspected for natural obstacles such as roots or rocks that may be a trip hazard, poor drainage and sharp objects such as glass.

Every state has different rules and regulations governing digging, some are stricter than others. In addition, 62 separate One Call Centers serve different areas of the country; now 811 will connect you directly to your local One Call Center. Prior to digging, be sure to call 811 or the local One Call Center to prevent accidentally disrupting local utility service.

### **MAINTENANCE:**

As an owner, it is most important that you are aware of your responsibility to insure safe use of your new equipment. It is necessary to install equipment according to the installation instructions provided and inspect the equipment at regular intervals. During inspection, if any part is found damaged or excessively worn, equipment should be closed immediately. A maintenance section is included in the appendix of this instruction booklet.

If a part is missing or damaged the playground must be put out of service while the part is replaced. Lack of maintenance will result in premature wear, reduced life expectancy, and possible failure that may result in injury.

All SportsPlay Equipment play events have been engineered to meet all applicable safety guidelines, but if installed improperly, these problems may occur:

- Entrapment gaps (between 3 1/2” and 9”)
- String Entanglements
- Protrusions

Make sure that any bolt end that protrudes more than 2 threads past the face of the nut is trimmed and de-burred smoothly. Always double-check your work.

Installation must adhere to the manufacturer’s assembly manual and all other applicable safety guidelines.

### **PLAY AREA:**

The area immediately above and around the play structure must be free of any obstructions such as:

- Trees
- Other Play Equipment
- Buildings
- Overhead Power lines

**Make sure the play area has all the required safety surfacing and the minimum fall zones as required by the safety guidelines. These guidelines can be found at [www.cpsc.gov](http://www.cpsc.gov).**

**CHILDREN MUST BE SUPERVISED AT ALL TIMES. No playground is safe without adult supervision!**

There may be situations that require you to modify the layout or use your own judgment. If you have any questions contact your distributor.

Reading this entire manual before beginning the installation will help you to ensure your equipment is installed and maintained correctly.

The use zone for this equipment shall extend a minimum of 6’ in all directions from the perimeter of the equipment.



## Tot Town Series Installation Guide

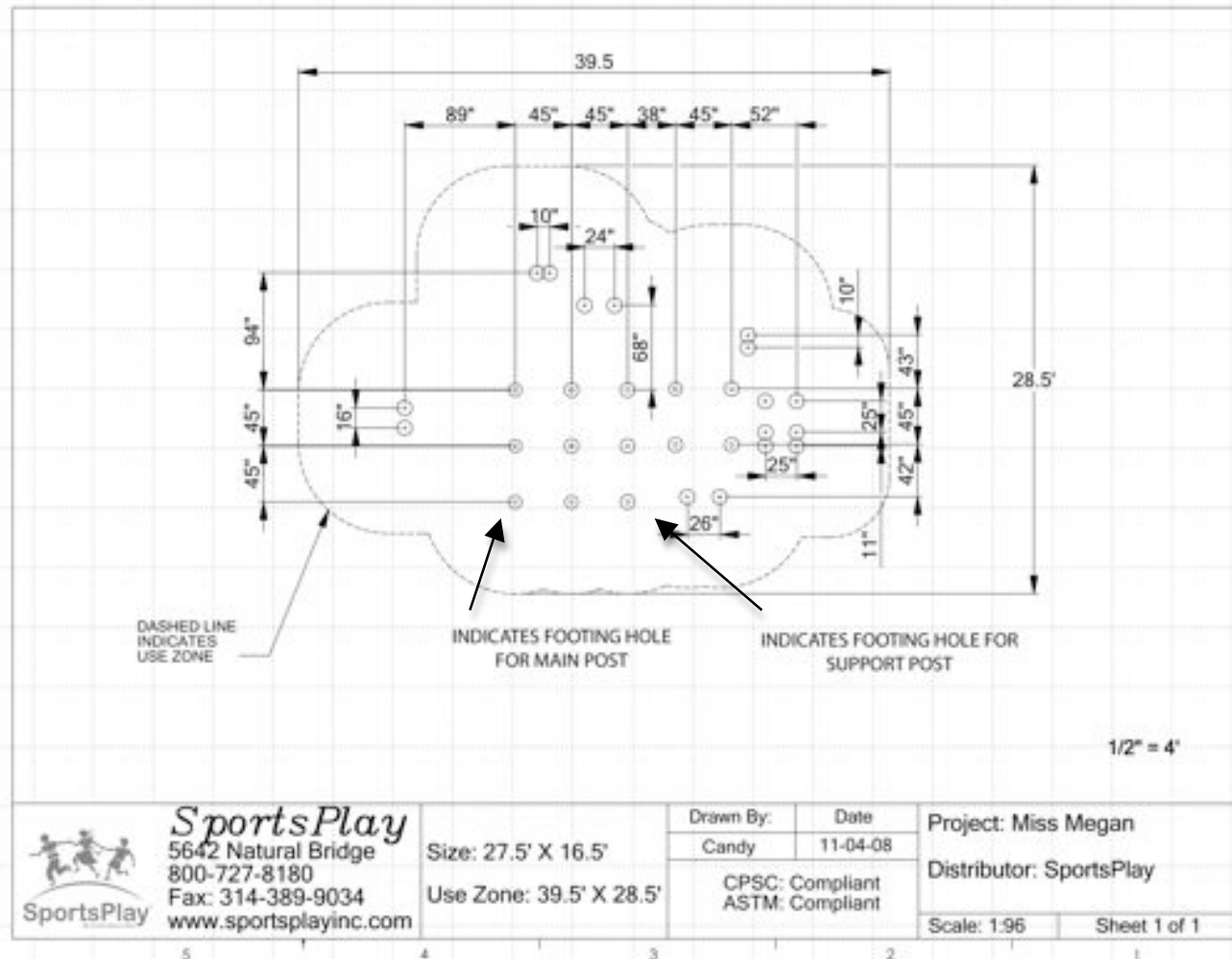
---

The use zone for adjacent stationary equipment may overlap. If the deck height for that equipment **is no more than 30"** above the protective surfacing **the use zone is 6'**.

The use zone for adjacent stationary equipment may overlap. If the deck height for that equipment **is more than 30"** above the protective surfacing **the use zone is 9'**.

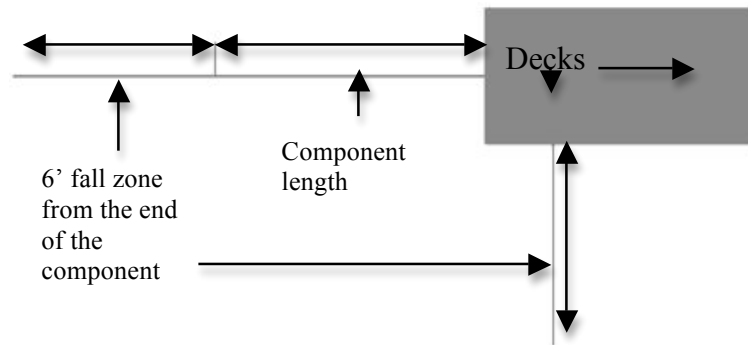
## Installation Punch List

### Footing Layout Example



## Step 1: Layout

1. Lay decks on ground in the desired location using the top view layout drawing. Measure from each deck to ensure there is adequate space for any component and the components fall zone. Below is an example of how to layout your decks so you can mark the location of the holes for the main posts and verify the required distance for a fall zone. This drawing is a standard drawing and does not represent the actual playground you are installing.

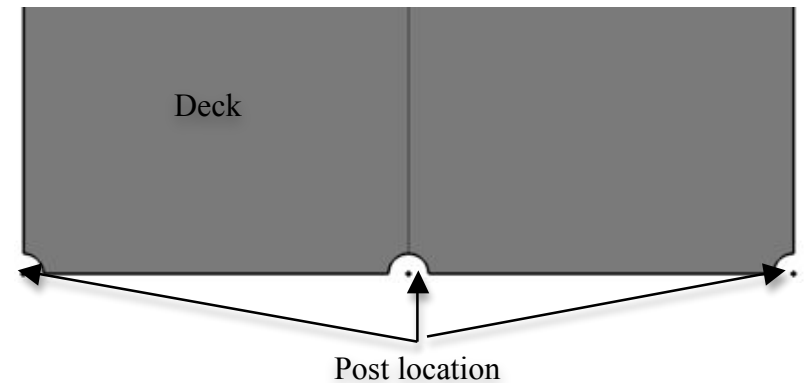


2. Most installers like to orientate the playground so that the entry point of the playground (primarily a transfer station) is facing either the sidewalk or the direction from which the children are entering the play area.

## Step 2: Holes

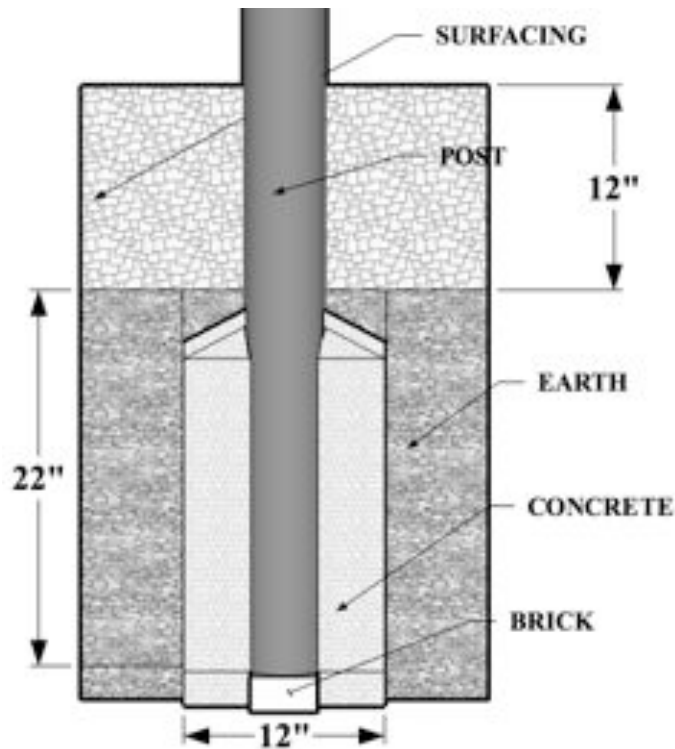
1. If the site grade is not level you have to adjust the footing depth to maintain a level footing. Check with building codes to ensure you meet required hole depth and width. If a deeper footing is required you must add blocking materials to the hole to keep the post depth in accordance with the footing side view drawing on the next page.

2. Once the decks are in the desired location within the play area and the decks are flush with each other, mark the locations of the post by inserting a stake into the center of each post location (see drawing below for an example). If using spray paint to mark location please be careful not to spray the deck.



3. Match the post location marks with the footing layout in the front of this booklet (an example of how to identify which holes are for the main posts and which are for support posts is on the previous page). Dig your holes using the main post footing drawing below. If your surface grade is not level you should start with the lowest point and use that hole depth to level all other holes too. The footing drawing below indicates a depth of 22" plus the thickness of a brick (or the thickness of whatever blocking material you will use instead of a brick). This depth is for 12" of surfacing only. If you are using something other than 12" of surfacing, such as 3" of rubber your hole depth would have to be 31" plus the thickness of a brick to allow for less surfacing material. (Footing depths for support posts such as slide legs are listed in the component assembly instructions.)

## FOOTING SIDE VIEW



4. It is recommended that you use a transit to level the remaining postholes to the first hole in order to ensure that the posts are level.
5. Using the post identification drawing (4<sup>th</sup> page of this booklet) identify which post goes in each hole by matching the number on the post with the number on the drawing.

## Step 3: Deck, Post & Component Installation

1. The easiest way to install the playground is by starting with the central deck and then work out. We recommend installing the posts and central deck and once the post and deck are square and level you may add the concrete (concrete with a minimum of 2,500 psi should be used). Mix concrete per manufacturers instructions and let it cure for at least 24 hours before continuing.
2. **NEVER LEAVE THE INSTALLATION SITE UNATTENDED WITHOUT ROPING OFF THE AREA AND EQUIPMENT, INSTALLING ALL HARDWARE, SECURING TOOLS AND EQUIPMENT, AND COVERING OPEN HOLES WITH A RIGID MATERIAL (PLYWOOD). CHILDREN WILL TRY TO USE THE EQUIPMENT EVEN THOUGH ITS NOT FULLY ASSEMBLED. YOU MUST TAKE ACTION TO PREVENT INJURY AND DAMAGE.**
3. Once the first deck is installed and the concrete has set for 24 hours you can install the remaining decks working out from the first deck ensuring all decks and posts are square and level as you go.
4. Level and plum all posts and decks and then brace them in position.
5. Beginning at the lowest deck, install all playground components. When installing the four hole brackets be sure to orientate the bracket so that the setscrew faces down. Use the footing layout at the beginning of this booklet to layout your component holes. Once the entire playground has been installed and the entire unit is level you may start adding the concrete.



## Step 4: Concrete

1. Verify all posts, decks and components are tight, level and square. Once the unit is verified to be level and square you may start installing concrete. You must use concrete with a minimum of 2,500 psi.
2. Always pre mix the concrete to the manufactures directions before pouring it into the hole. Never put dry concrete in the hole. Typically each main posthole requires two 80-pound bags of concrete.
3. Allow concrete to set in accordance with manufacturers directions. Fill holes too about 2” below the surface with concrete. Once the hole has been filled with concrete, slope the top of the concrete down and away from the post to keep water from seeping between the post and the concrete.
4. Secure playground area to prevent access while the concrete is setting for a minimum of 48 hours.
5. SportsPlay recommends having a CPSI (certified playground safety inspector) present during installation. If that’s not possible you should have the completed playground (after surfacing is in place) inspected by a CPSI.

## Step 5: Last Step

1. After concrete has completely set, backfill all holes with dirt.
2. Install surfacing label, 12” from dirt surface on main posts for mulch.
3. Install surfacing.

## Four Hole Bracket & Panel Bracket Installation

### Tip for installation

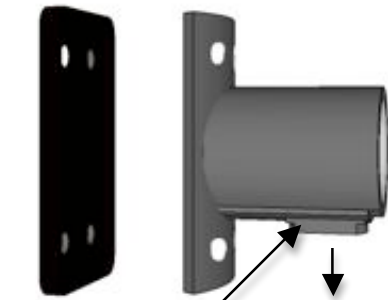
- Use the #7 drill bit to pre-drill all holes when connecting the bracket to the post if you are having trouble with the self-tapping screws

### Installation

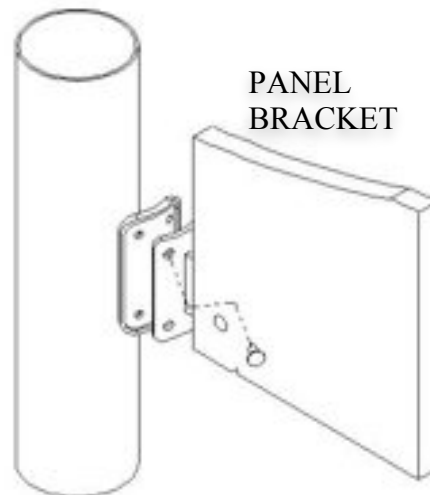
- Always install the brackets with the set screw facing down (refer to the drawing on the right)
- Always install the rubber gasket with the brackets
- After you have installed the brackets and the component completely verify the set screw is tightly in place and smooth out all sharp edges and points
- Use the screw bit included with the hardware
- Do not over tighten screws



FOUR HOLE  
ATTACHMENT  
BRACKET



Set screw facing  
down

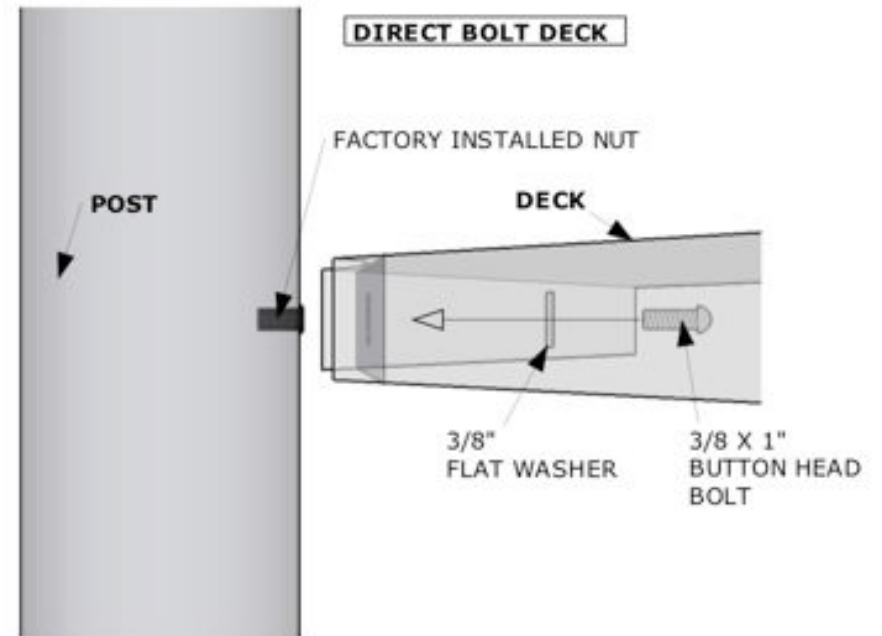
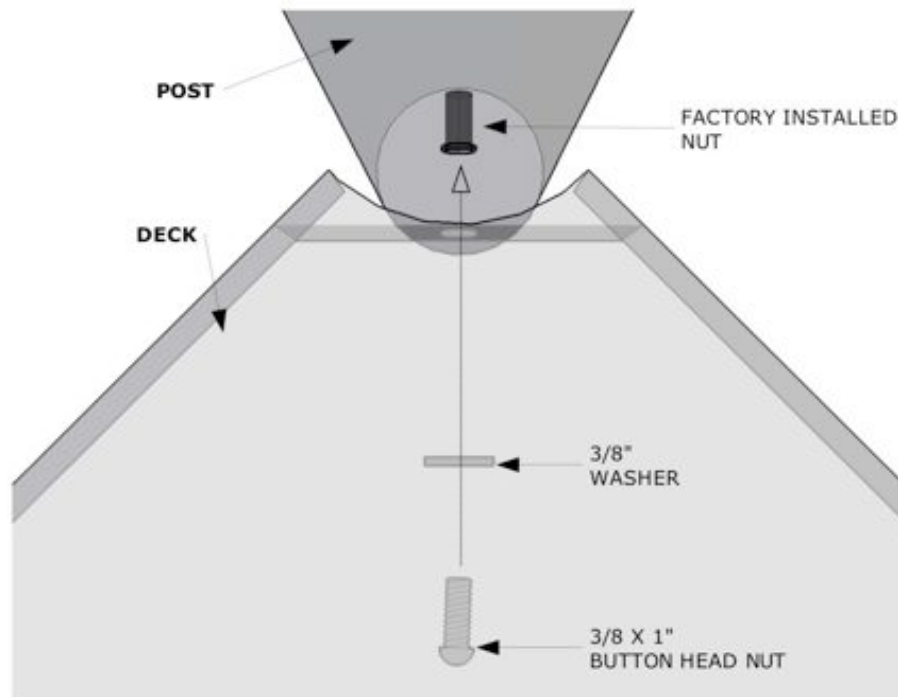


PANEL  
BRACKET

## Direct Bolt Deck

While two people position and hold the deck in place, insert the deck bolt and washer through the deck and into the factory installed nut on the post.

To ensure proper placement, refer to the layout drawing and the post id drawing at the beginning of this guide.





### Other Installation Tips

- **When attaching a deck to a post** sometimes the factory installed nuts will spin when tightening the bolt. If this happens simply slide a slim flathead screw driver in between the deck and the post and slightly pry on the installed nut to keep it from spinning.
- **If you are mocking up components with the intention of removing the hardware at some point**, you may want to apply lubricating oil to the hardware. Stainless steel hardware has a tendency to seize so if you are planning on removing the hardware you may want to apply lubricant to prevent this.
- **Pre-drill the holes for the four hole bracket** in the posts with the #7 drill bit included with the hardware
- Unless specified in the specific component instruction step, **do not tighten the hardware completely** until the entire unit is assembled.





## **SUPERVISION GUIDE**

Although the equipment is designed, installed and maintained in accordance with all safety guidelines adult supervision is required.

Not all equipment is appropriate for all ages. Direct children to age appropriate equipment.

Younger children will require more supervision than older children.

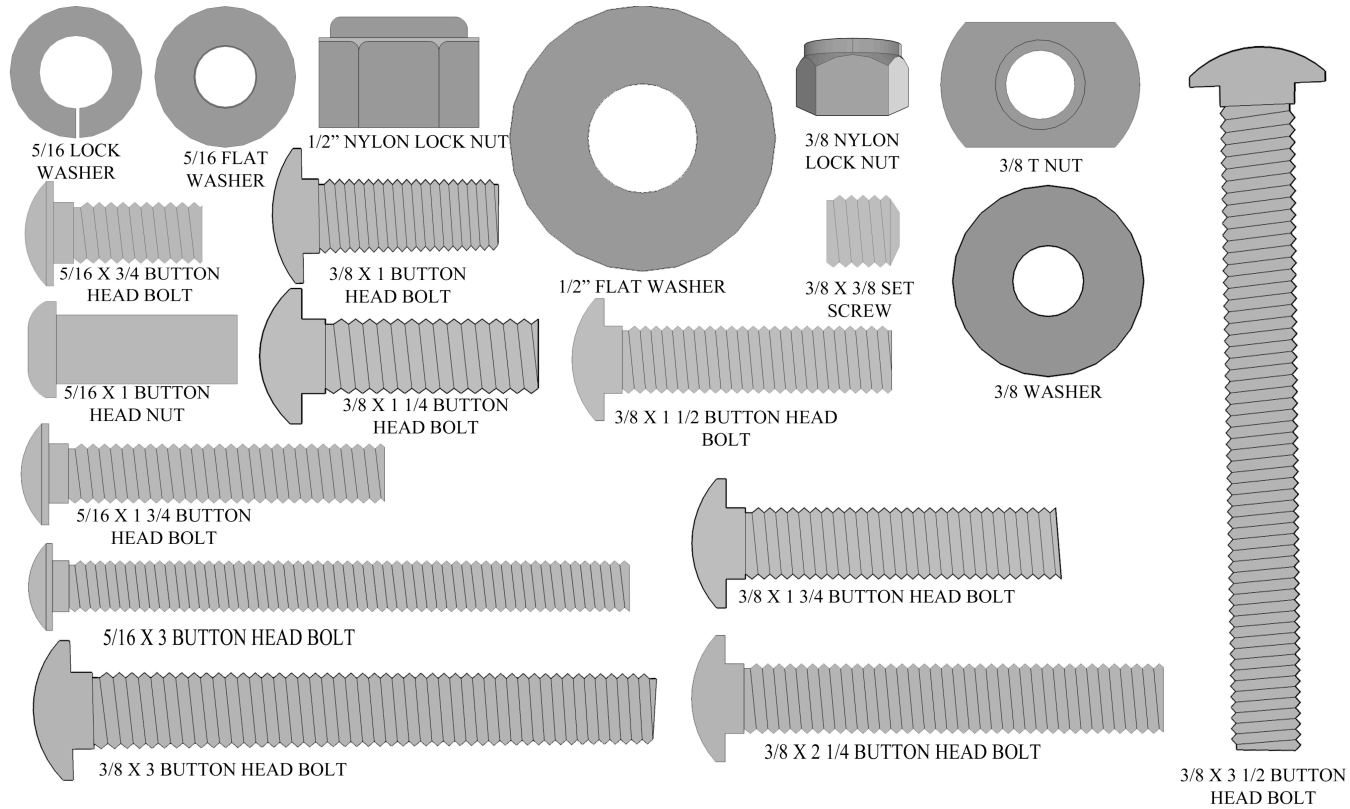
While eliminating accidents is not likely, following these guidelines will help minimize accidents.

Basic playground safety for supervisors:

- Make sure all safety surfacing is in place and at the correct height. Inspect area for hard or sharp objects and remove them.
  - No dangerous horseplay in the play area. (Jumping from dangerous heights, displacing of surfacing, etc...)
  - Inspecting for missing or broken equipment. (Do not allow children to play on broken equipment or equipment with missing components).
  - Make sure there are no unsafe modifications (especially ropes tied to equipment). Remove all unsafe modifications and close the equipment for play until they are removed.
  - Keep children in the designated play area.
  - Do not let children play on wet equipment.
  - Prevent overcrowding on play equipment.
- Loose clothing, hoods, strings or jewelry shall be tight or not worn while playing to prevent strangulation.
  - Ensure the temperature of the equipment is not hazardous. Direct sunlight exposure can increase the temperature of the equipment high enough to cause injury.
  - Inspect the playground every day using the General Inspection Checklist located in the appendix of this manual
    - The easiest method for performing the daily inspection with the checklist is to laminate the checklist and use a dry erase marker to mark the items off before opening the play area



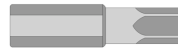
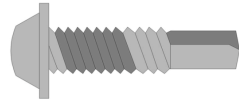
## HARDWARE







SELF TAPPING SCREW



TORX BIT

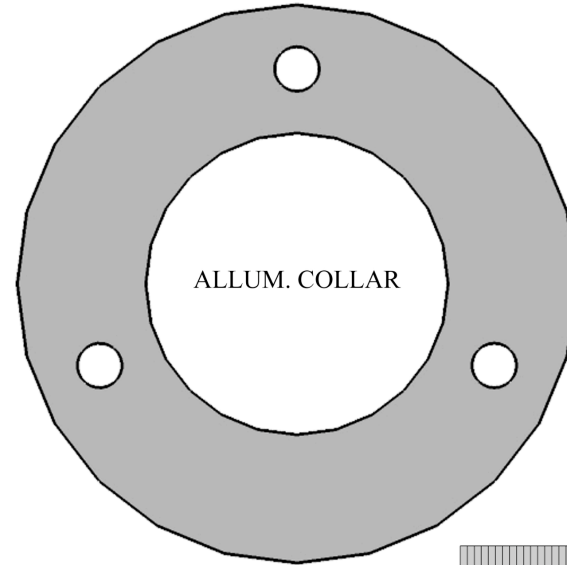
3/16 ALLEN

1/4 ALLEN

5/16 ALLEN

1/8 ALLEN

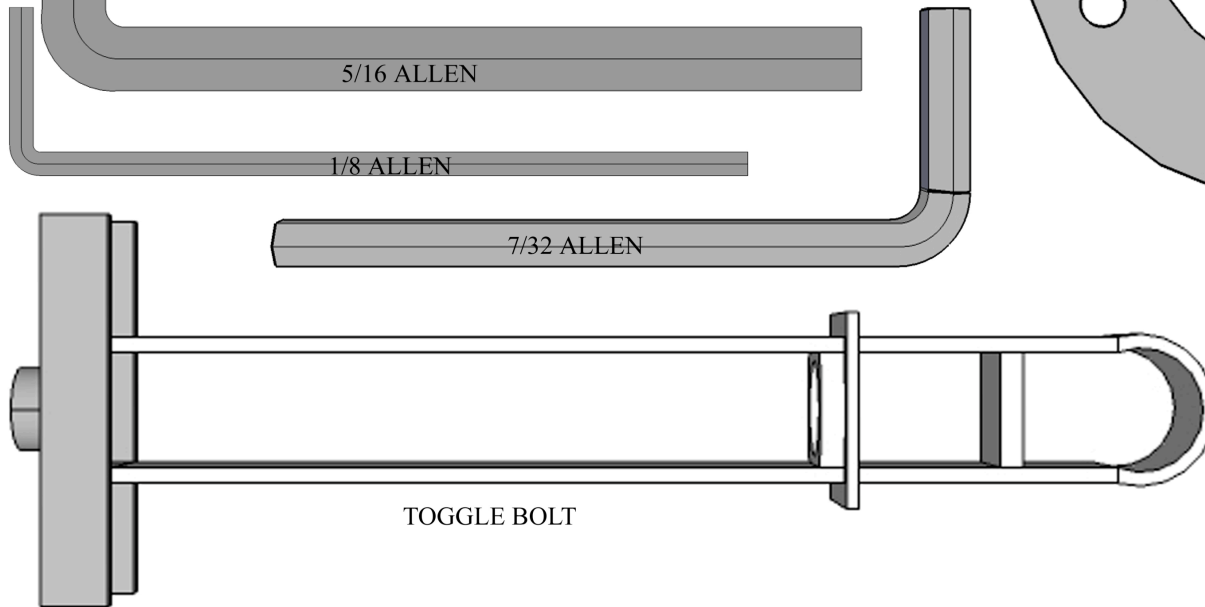
7/32 ALLEN



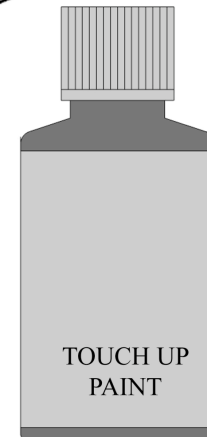
ALUM. COLLAR



LOCTITE



TOGGLE BOLT



TOUCH UP  
PAINT



# **COMPONENT INSTALLATION INSTRUCTIONS**



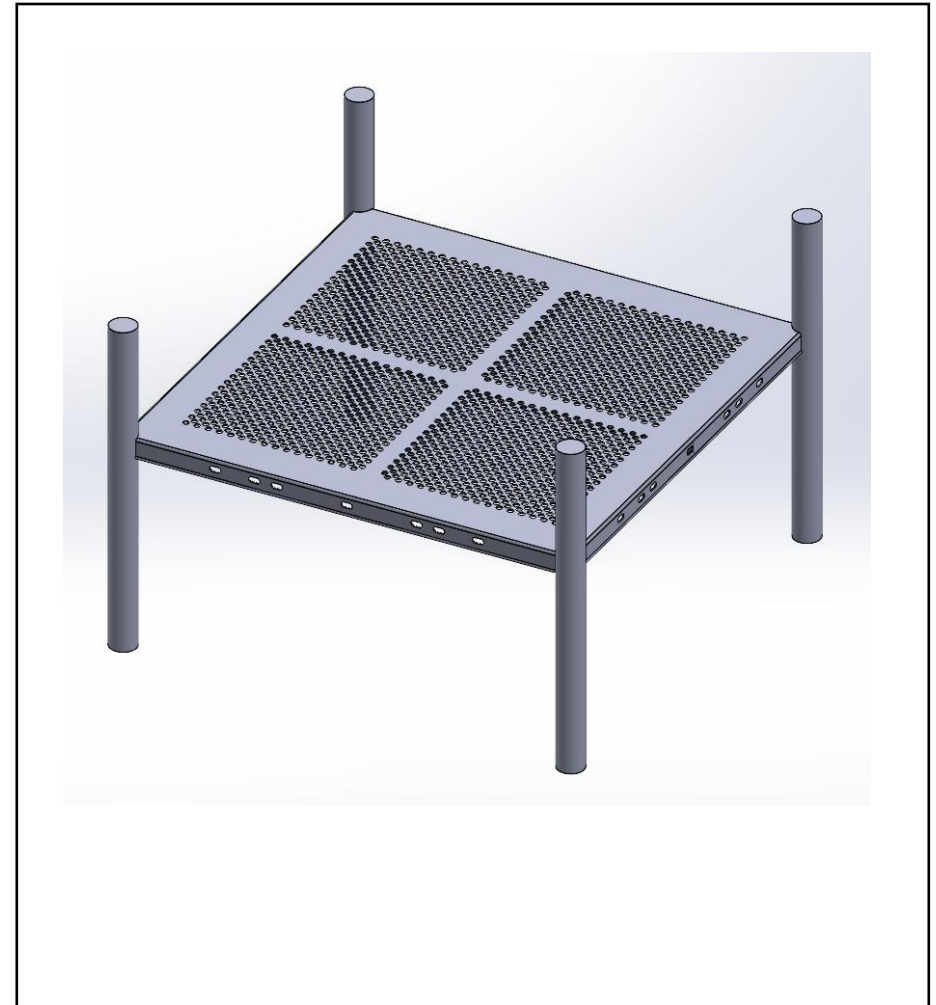
### **INSTALLATION DETAILS**

- Recommended crew (Adult): **3**
- Installation time: **15 min (.75-man hr.)**
- User age: **2-5**
- Use zone: **72"**
- Weight: **79**

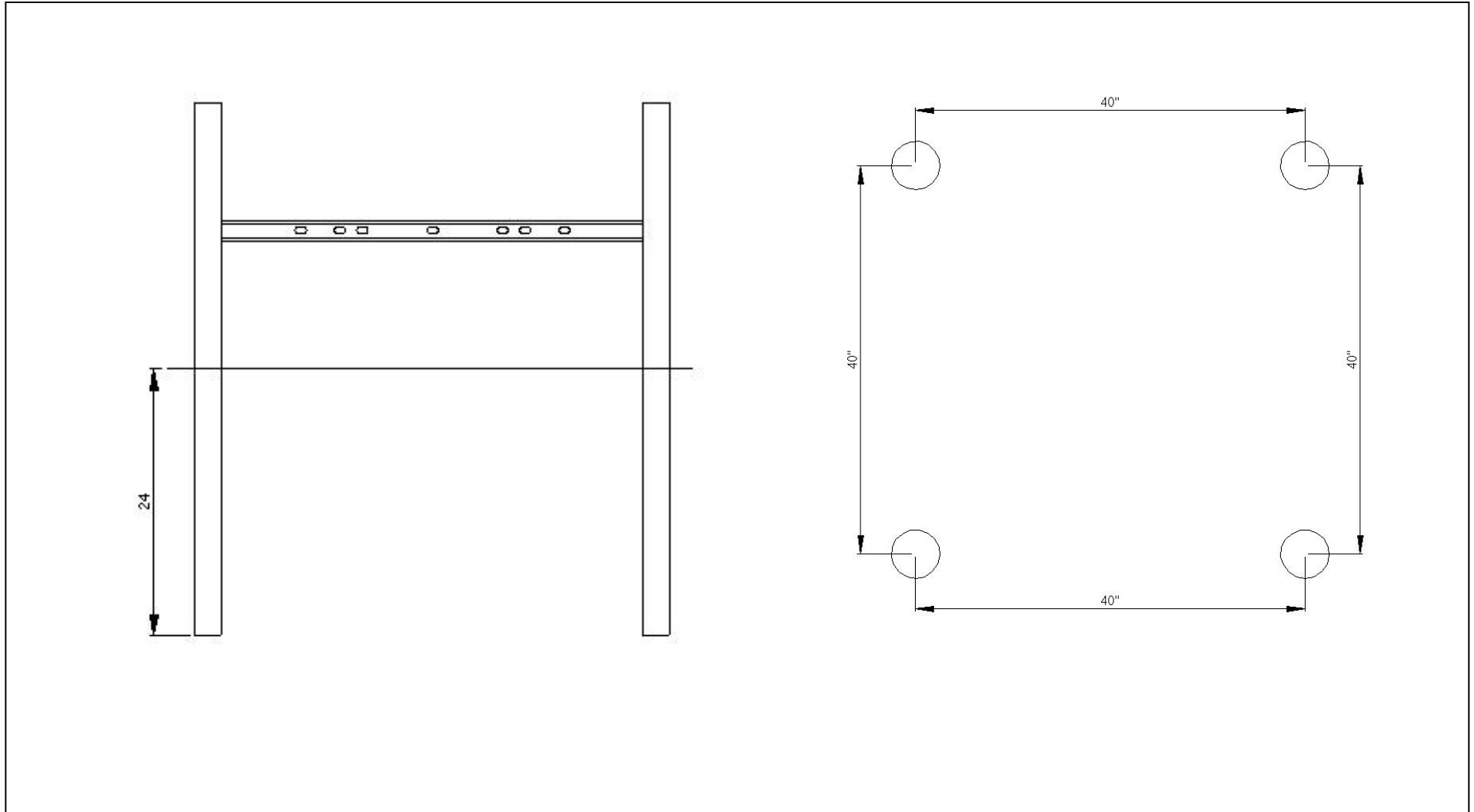
**SURFACING: Use of safety surfacing in compliance with ASTM specification F1292 is required.**

### **MAINTENANCE:**

- As the owner of the playground, you are responsible for maintenance of the equipment and play area. A maintenance schedule must be developed and the equipment inspected frequently. A maintenance section that includes component specific maintenance requirements is included at the end of this manual.
- Be sure to inspect surfacing for foreign objects that could cause injury and that sufficient surfacing is in place in accordance with ASTM and CPSC standards.









### **SPECIFICATIONS**

- Deck-12 GA HRPO steel
- Hardware – Stainless steel & tamper resistant
- Paint – Electrostatically applied & oven cured thermoplastic powder coat

### **INSTALLATION TIPS & TROUBLE SHOOTING**

- Should the factory installed nuts on the posts start spinning while trying to attach the decks, simply insert a flat head screwdriver under the lip or the nut and tighten the bolt.
- Apply locktite to all bolts during assembly prior to completely tightening them.
- Stainless Steel hardware can occasionally be difficult to use particularly if you need to take them out to make an adjustment. It is recommended that you add a drop of oil to bolts that may have to be removed before you install them.
- Do not tighten bolts all the way until the unit is completely assembled and all components are square and level.
- Identify and separate all parts by referencing the detail drawings and the parts list.
- As you unpack and separate the components use the cardboard sheets that were used for packing and shipping to prevent damage to the components. This is particularly true all Powder Coated and Thermoplastic coated components, by setting the components on top of the cardboard.

### **BEFORE YOU BEGIN**

In addition to the components on the packing list, you will need a level and blocking material.

### **INSTALLATION STEPS**

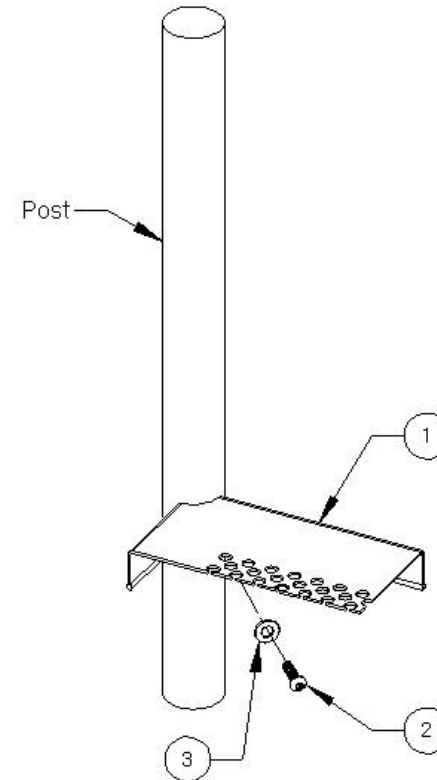
**\_\_1) Review all instructions before beginning**

**\_\_2) Unpack, organize, and identify all components:** Be sure to place all painted components on a protective surface (cardboard, cloth, etc...) to prevent damage.

**\_\_3) Locate placement of the Square Deck:** See top-down view of your instruction booklet

**\_\_4) Attach Square deck to post:** Using one 3/8" x 1 1/2" Button Head Bolt (2), with one 3/8" Flat Washer (3) installed on the bolt, inserts it through the factory punched slot in the square deck. The bolt then threads into the factory installed nut in the post that the deck connects to. Repeat this step for all corners of the square deck.

**\_\_5) Once the entire playground has been installed and you have verified that the entire playground is level you can **add the concrete to the footing holes.**** Be sure to use concrete with a minimum 2,500 psi and mix the concrete per the manufacturer's directions before you pour it into the footing hole. Once the footing has been filled with concrete you should rope of the area for a minimum of 48 hours to allow the concrete set properly.





**INSTALLATION STEPS CONTINUED**

\_\_6) **Once the concrete has set**, back fill dirt over the footing holes; inspect the area and components for tools, hazardous debris and sharp edges. Verify all components are installed and all hardware is tight and then install the safety surfacing.

\_\_7) **Inspect the components:** for sharp edges and if necessary, file them down and apply touch up paint

#### **INSTALLATION DETAILS**

- Recommended crew (Adult): **2**
- Installation time: **1.5 hr.**
- User age: **2-5**
- Use zone: **72"**
- Weight: **165 lbs**

**SURFACING: Use of safety surfacing in compliance with ASTM specification F1292 is required.**

#### **MAINTENANCE:**

- As the owner of the playground, you are responsible for maintenance of the equipment and play area. A maintenance schedule must be developed, and the equipment inspected frequently. A maintenance section that includes component specific maintenance requirements is included at the end of this manual.
- Be sure to inspect surfacing for foreign objects that could cause injury and that sufficient surfacing is in place in accordance with ASTM and CPSC standards.



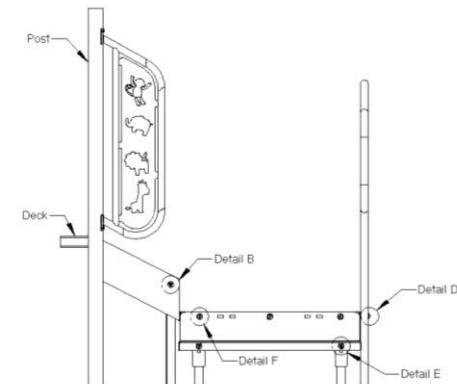
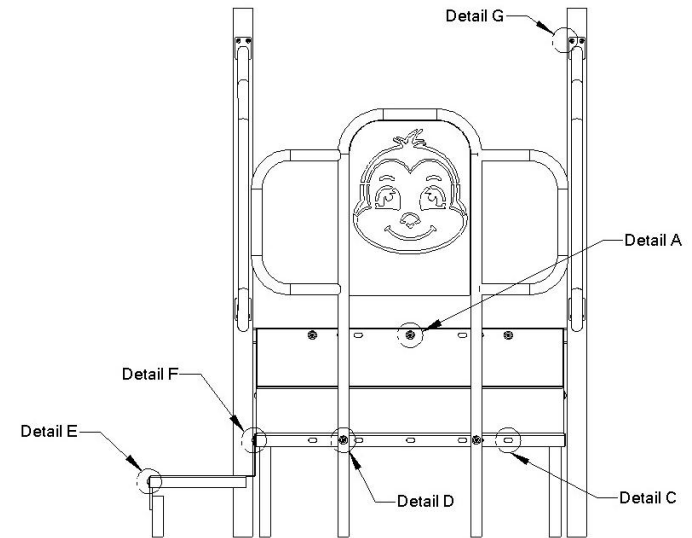


## 922-000 2' TOT TOWN TRANSFER STATION INSTALLATION INSTRUCTION

### PARTS LIST

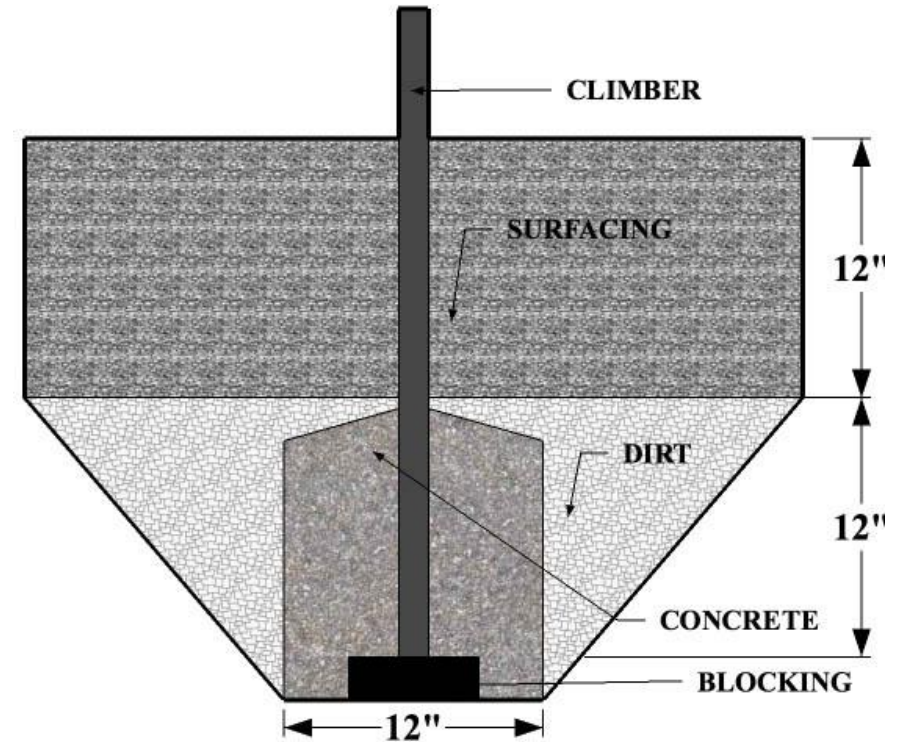
ID	PART #	DESCRIPTION	QTY
1	923-301	TTL Transfer Stairs	1
2	923-305	TTL Transfer Platform	1
3	923-307	TTL Transfer Step	1
4	923-309	TTL Transfer Support	1
5	913-230	Transfer Point Inside Leg	4
6	923-308	TTL Transfer Handhold	1
7	126-703	3/8"x1" Button Head Bolt	13
8	316-601	3/8" Flat Washers	30
9	226-602	3/8" locknut	15
10	905-526	Self Tapping Screw	8
11	126-705	3/8" x 2" Button Head Bolt	2

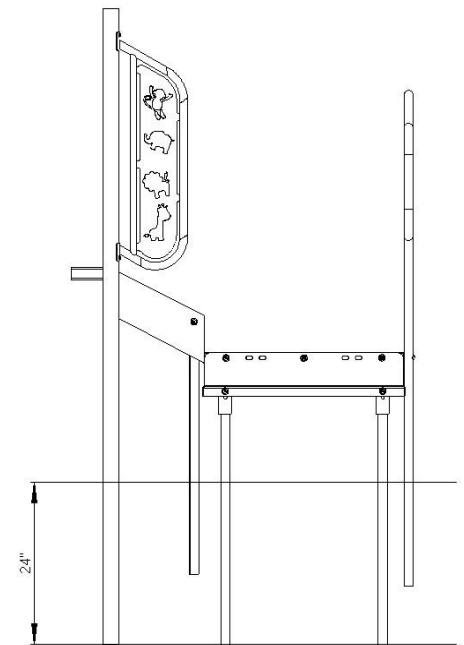
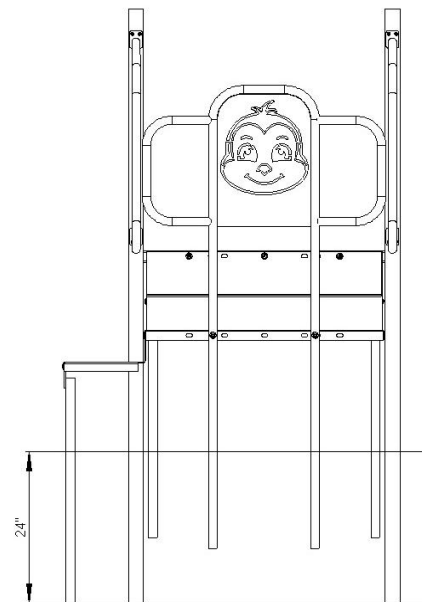
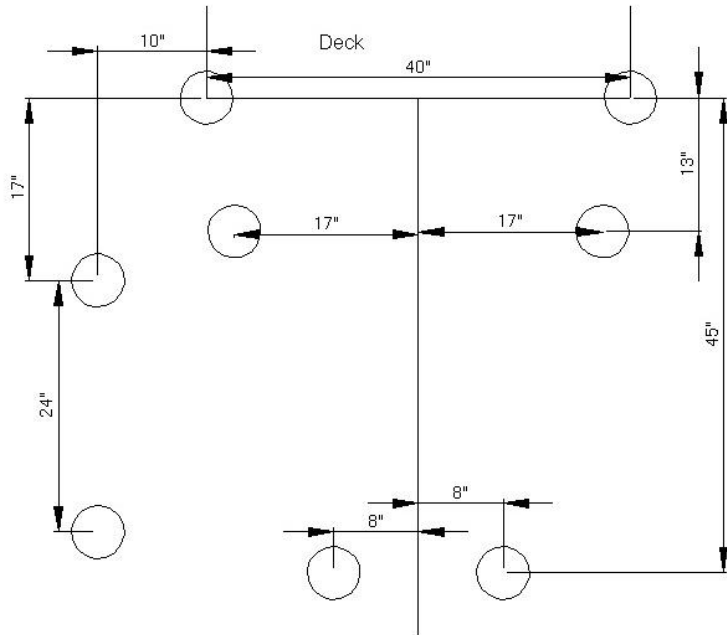
**NOTE:** Keep a copy of these instructions on file to assist you with maintenance and replacement parts.



### FOOTING INFORMATION

- Total footing depth is 24" less the height of the surfacing plus the height of the blocking material. If you are using 12" of surfacing the footing hole would need to be 12" plus the height of the blocking material (refer to both the side and front cutaway views to the right).
- If the Play structure is installed on an unlevel grade you must adjust the footing depth to accommodate the grade. For instance, if the grade for this component is 1" higher than the surface grade of the main playground post you must dig your footing hole 1" deeper.
- You must place the bottom of the support post or slide leg on a suitable flat blocking material to prevent it from sinking further into the soil. We recommend you use a brick, block of wood or several inches of gravel. The footing depth does not include this blocking material since materials used often vary.
- It is the owner/installers responsibility to check local building codes and to comply with those codes. All footing depths listed here are recommendations and local soil types and frost lines may require a deeper and/or wider footing depth. If that's the case you must add more blocking material to accommodate the deeper footing, as the post length will still only be installed at the depth listed in this instruction manual.
- Assemble the entire unit before adding the concrete unless instructed to do so in the individual component instruction sections.







### **SPECIFICATIONS**

- Deck and Steps-12 GA HRPO steel
- Deck & Step Coating – Electrostatically applied & oven cured thermoplastic powder coat.
- Tube – 2 3/8” Pipe
- Tube Paint – Electrostatically applied & oven cured powder coat
- Hardware – Stainless steel & tamper resistant
- Attachment Bracket – Powder coated cast aluminum

### **INSTALLATION TIPS & TROUBLE SHOOTING**

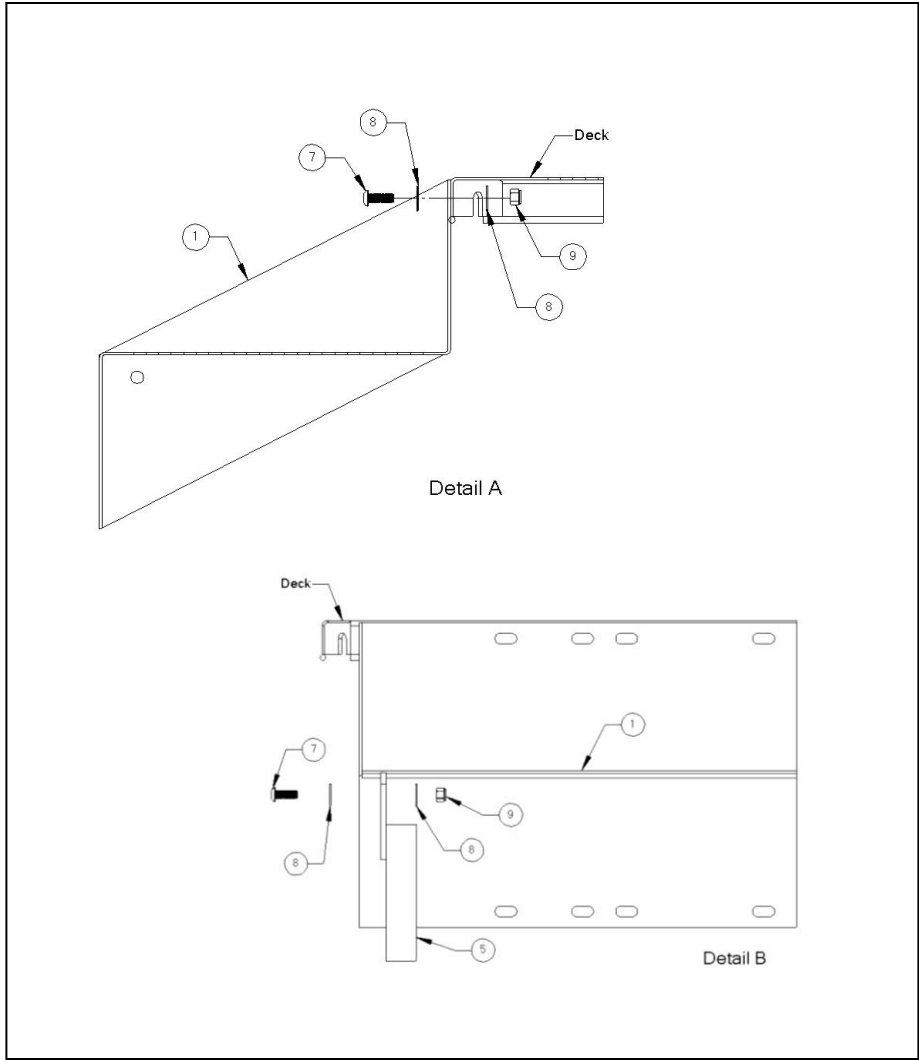
- SportsPlay Equipment Inc. recommends pre-drilling the holes in the post when attaching a two-hole bracket with a number #7 drill bit. This will make the attachment of the two-hole bracket with the self-tapping screws easier, and it will prevent damage to the screw head during installation.
- Apply locktite to all bolts during assembly prior to completely tightening them.
- Stainless Steel hardware can occasionally be difficult to use particularly if you need to take them out to make an adjustment. It is recommended that you add a drop of oil to bolts that may have to be removed before you install them.
- Do not tighten bolts all the way until the unit is completely assembled and all components are square and level.
- Identify and separate all parts by referencing the detail drawings and the parts list.
- As you unpack and separate the components, use the cardboard sheets that were used for packing and shipping to prevent damage to the components. This is particularly true all Powder Coated and Thermoplastic coated components, by setting the components on top of the cardboard.

**BEFORE YOU BEGIN**

In addition to the components on the packing list you will need a level, blocking material, 9/16 wrench, shovel, tape measure and a post hole digger.

**INSTALLATION STEPS**

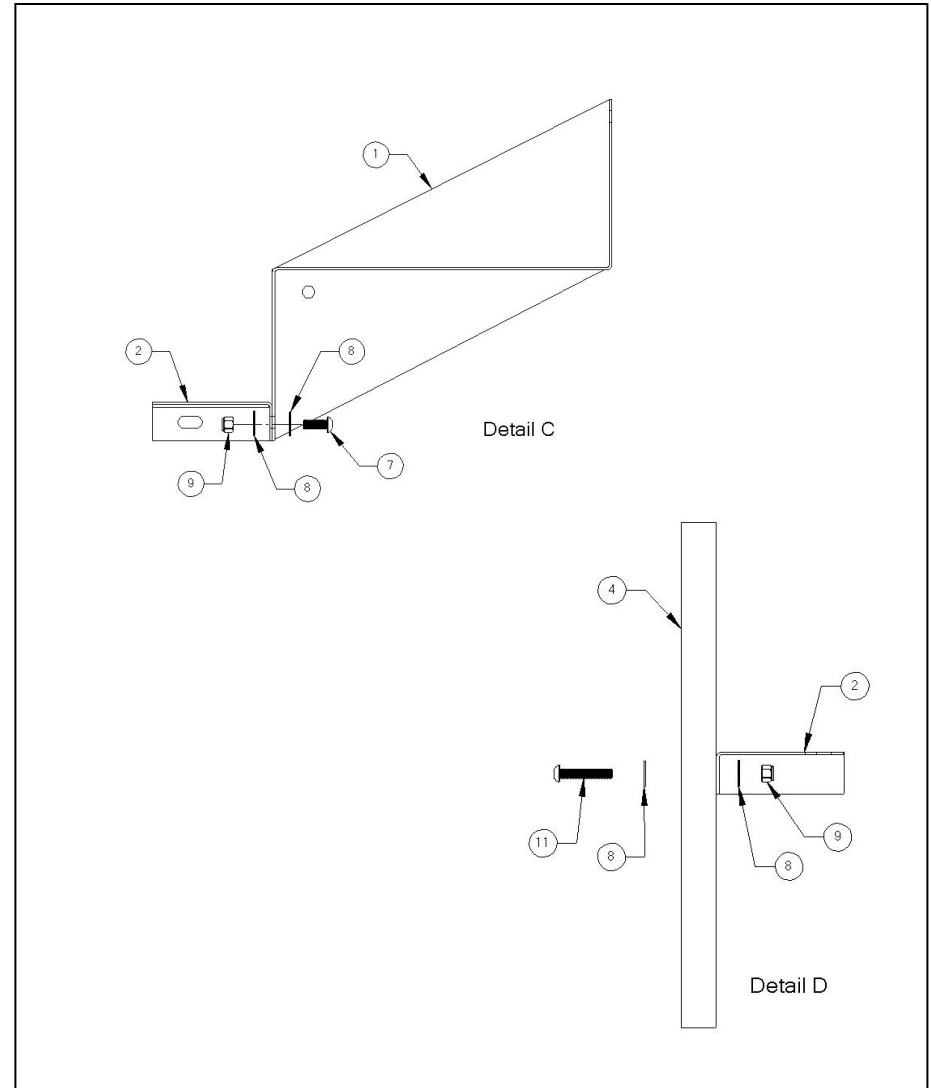
- \_\_1) Review all instructions before beginning**
- \_\_2) Unpack, organize, and identify all components:** Be sure to place all painted components on a protective surface (cardboard, cloth, etc...) to prevent damage.
- \_\_3) Locate placement of the Transfer Station:** See top-down view at the beginning of your instruction booklet.
- \_\_4) Dig Footing Holes:** Refer to the Footing Diagram on page 4 of this instruction set.
- \_\_5) Install Transfer Station Stairs:** The Transfer Station Stairs (1) will connect using four 3/8"x 1 Button Head Bolts (7), three 3/8" Flat Washers (8), and three 3/8" Locknuts (9). Place One 3/8" Flat Washer on to each of the three 3/8"x 1 Button Head Bolts. Insert the Bolt and Washer assembly through the top holes of the stairs, then through the factory punched hole in the deck that the Transfer Station installs to. (See detail A) Secure this with a 3/8" Flat Washer and Locknut. Do not tighten the Locknut until the stairs are level. Repeat these steps until all three bolts are installed in the stairs. After the bolts are installed, level and block the stairs. Now you can tighten the three bolts to secure the stairs.



**INSTALLATION STEPS CONTINUED**

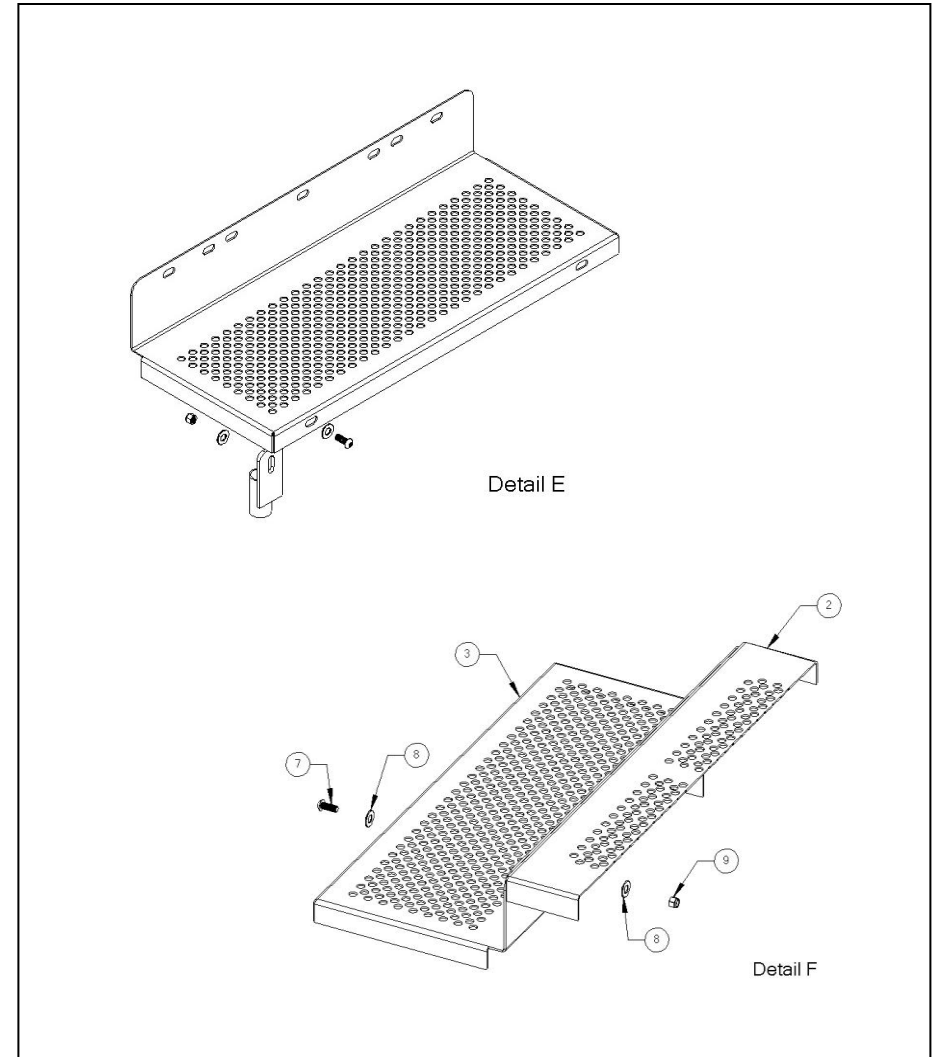
**6) Inside step Legs:** You will need two Inside Step Legs, two 3/8"x 1" Button Head Bolts, four 3/8" Flat Washers, two 3/8" Locknuts, Place one 3/8" Flat Washer on to each of the 1" Button Head Bolts. Insert this through the hole on the side of the stairs. Now place the step leg into the footing hole and onto the 3/8"x 1" Button Head Bolt, the flat side of the inside step leg should touch the inside of the Transfer Station Stairs. Secure this with a second 3/8" Flat Washer and 3/8" Locknut. (See detail B)

**7) Install Transfer Station Platform:** This will install to the bottom part of the Transfer Station Stairs. To do this you will need the Transfer Station Platform (2), Transfer Station Support Post (4), three 3/8"x 1" Button Head Bolts (7), two 3/8"x 2" Button Head Bolts (11), ten 3/8" Flat washers (8), and five 3/8" Locknuts. First start by placing a 3/8" Flat Washer onto each of the 3/8" bolts. Now you can attach the transfer Station Platform to the Transfer Station Stairs. Insert one of the 3/8" x 1" Button Head Bolts into one of the factory-punched holes in the Transfer Station stairs. Now you can place the bolt through the Transfer Station Platform and secure it with a 3/8" Flat Washer and 3/8" Locknut. (See detail C) Do not tighten these bolts until the deck has been leveled. Next place the Transfer Station Support Post into the footing hole of the desired location of the Transfer Station Platform. Place one 3/8" x 2" Button Head Bolts and washer and insert them into the Transfer Station Support Post and Transfer Station Platform, then secure with a 3/8" Flat Washer and 3/8" Locknut on each bolt. (See detail D)



**INSTALLATION STEPS CONTINUED**

**8) Install the Transfer Station Step:** To complete this step you will need the Transfer Station step (3), two Transfer Point Inside Legs (5), five 3/8" x 1" Button Head Bolts (7), ten 3/8" Flat Washers, and five 3/8" Locknuts. First install the Transfer Point Inside Legs to the Transfer Station step. Using a 3/8" x 1" Button Head bolt with a 3/8" Flat Washer on each insert them through the Transfer Station Step. Place the flat side of the Transfer Point Inside Leg against the Transfer Station step and secure them with a 3/8" Flat Washer and a 3/8" Locknut. (See detail E) Place the Transfer Point Inside legs into their footing holes, then you need to place one 3/8" Flat Washer onto each of the three 3/8" x 1" Button Head Bolts, insert this assembly through the top of the Transfer Station Step and into the factory punched hole in the Transfer Station Platform. Secure the Transfer Station Step to the transfer Station Platform with a 3/8" Flat Washer and a 3/8" Locknut. (See detail F) Level the Transfer Station Platform and Transfer Station Step before you tighten the bolts.



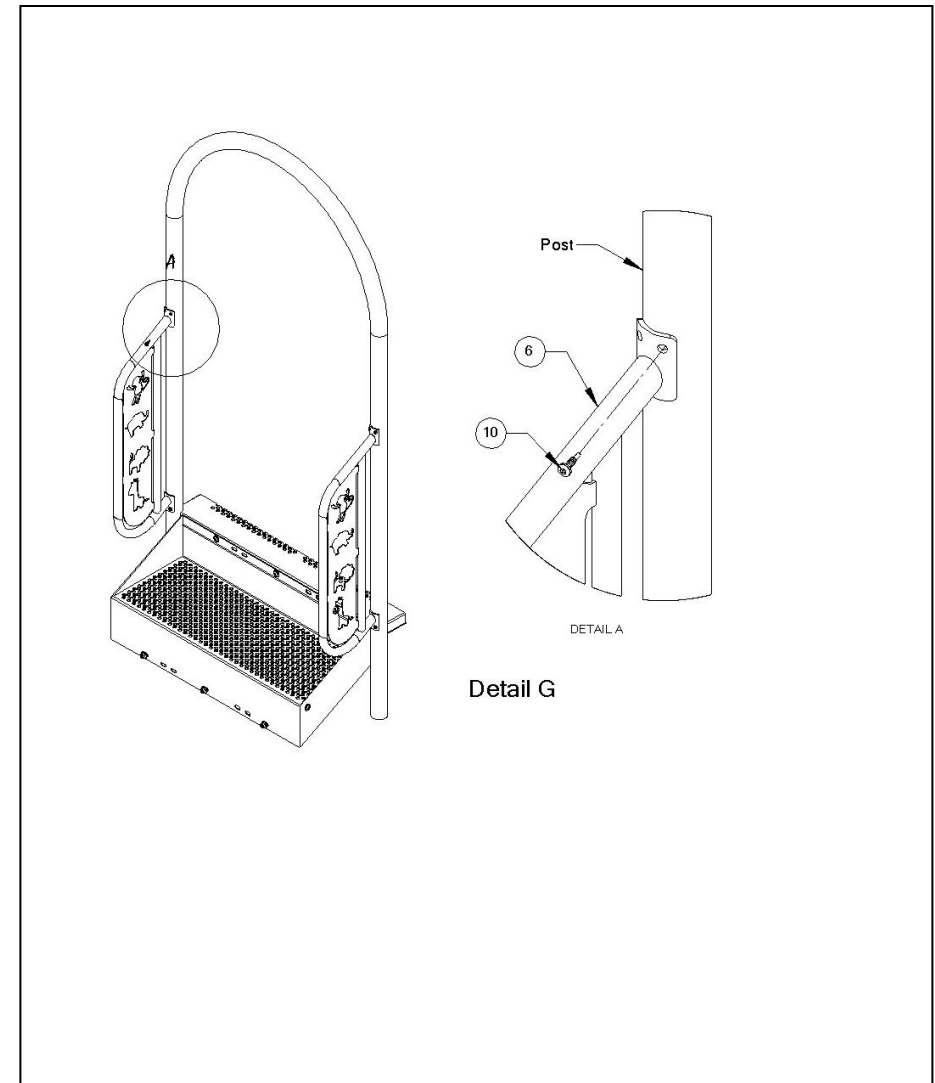
### **INSTALLATION STEPS CONTINUED**

**9) Install Transfer Handholds:** You will need the two Handrails (6), eight Self tapping Screws (10). Place one of the Handrail and mark the holes on the post that it connects to. Drill the holes and install the handrail on the post. With the hole in the Tab Bracket facing the ground, attach it to the post using Self tapping Screws. (See detail G) Repeat this for the other handrail.

**10)** Once the entire playground has been installed and you have verified that the entire playground is level you can **add the concrete to the footing holes**. Be sure to use concrete with a minimum 2,500 psi and mix the concrete per the manufacturer's directions before you pour it into the footing hole. Once the footing has been filled with concrete you should rope of the area for a minimum of 48 hours to allow the concrete set properly.

**11) Once the concrete has set**, back fill dirt over the footing holes; inspect the area and components for tools, hazardous debris and sharp edges. Verify all components are installed and all hardware is tight and then install the safety surfacing.

**12) Inspect the components:** for sharp edges and if necessary, file them down and apply touch up paint.



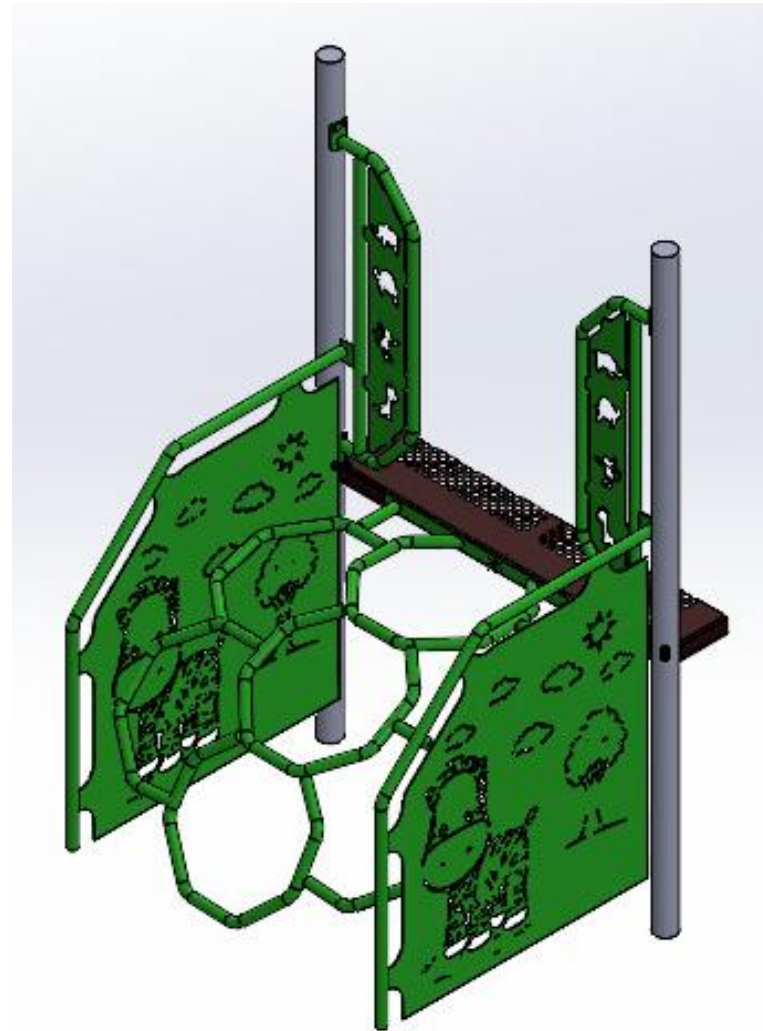
#### **INSTALLATION DETAILS**

- Recommended crew (Adult): 2
- Installation time: 1 hr. (2-man hr.)
- User age: 2-5
- Use zone: 72"
- Weight: 110

**SURFACING: Use of safety surfacing in compliance with ASTM specification F1292 is required.**

#### **MAINTENANCE:**

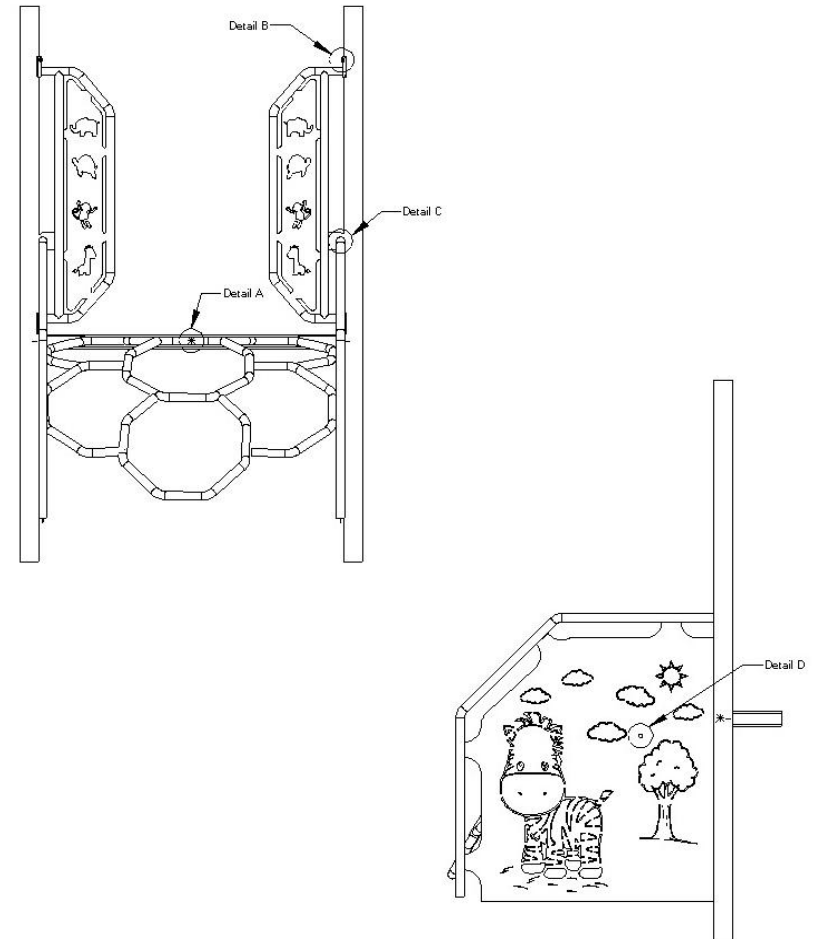
- As the owner of the playground, you are responsible for maintenance of the equipment and play area. A maintenance schedule must be developed, and the equipment inspected frequently. A maintenance section that includes component specific maintenance requirements is included at the end of this manual.
- Be sure to inspect surfacing for foreign objects that could cause injury and that sufficient surfacing is in place in accordance with ASTM and CPSC standards.



**PARTS LIST**

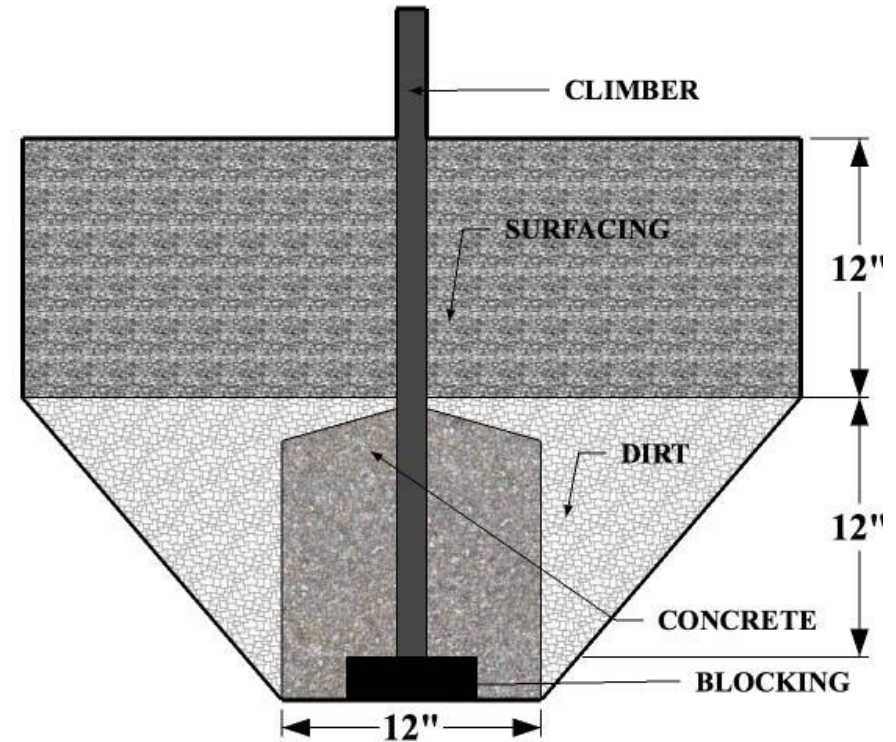
ID	PART #	DESCRIPTION	QTY
1	923-313	Tot Town Turtle Climber	1
2	226-602	3/8" Nylon Locknut	2
3	126-701BPS	3/8" X 1 1/4" Button Head Bolt	7
4	316-601	3/8" Flat Washer	11
5	923-314	Tot Town Climber Handholds	2
6	905-526	Self-Tapping Screw	12
7	905-847	Bolt Caps	4
8	923-318	Tot Town Turtle Sided	2

**NOTE:** Keep a copy of these instructions on file to assist you with maintenance and replacement parts.

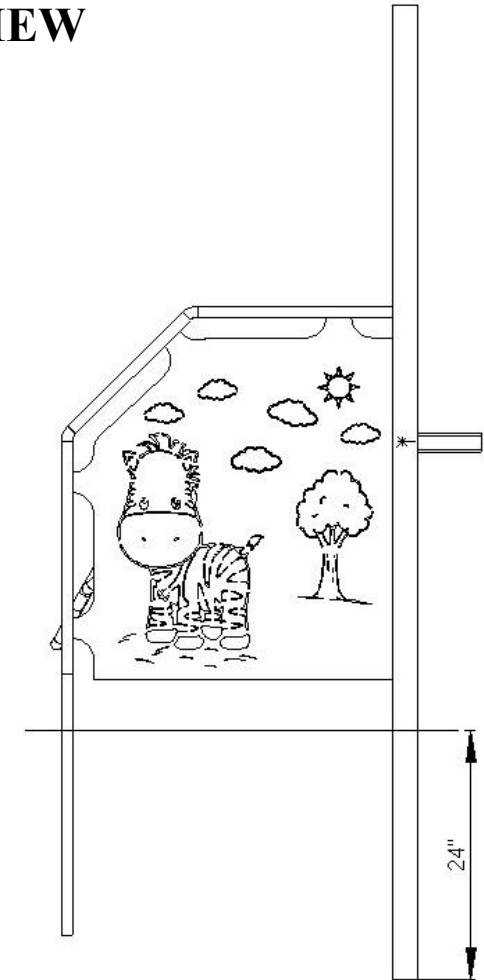
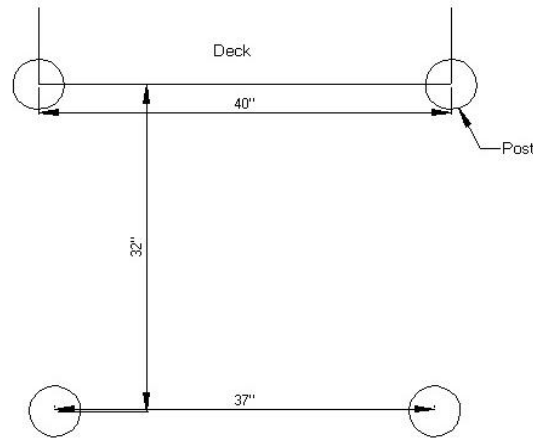
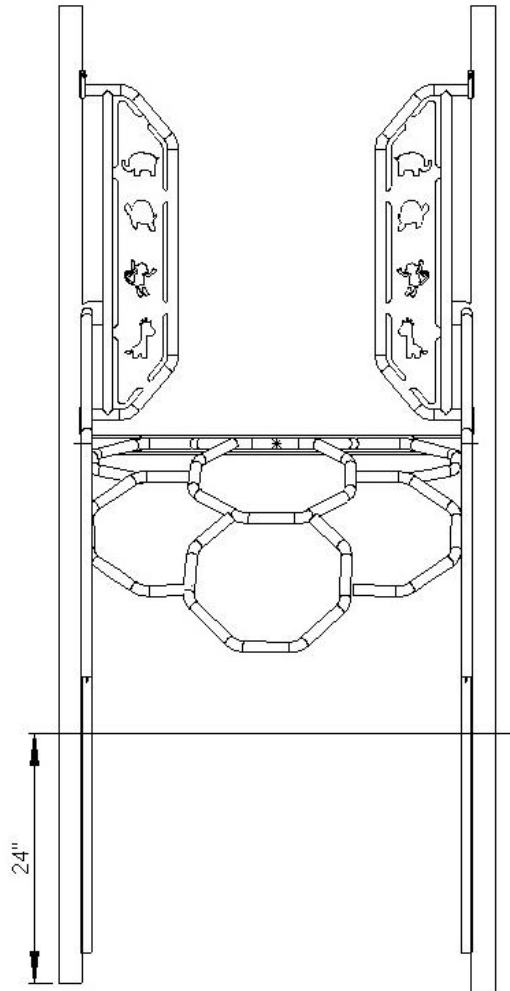


### FOOTING INFORMATION

- Total footing depth is 12" less the height of the surfacing plus the height of the blocking material. If you are using 12" of surfacing the footing hole would need to be 24" plus the height of the blocking material (refer to both the side and front cutaway views to the right).
- If the Play structure is installed on a unlevel grade you must adjust the footing depth to accommodate the grade. For instance, if the grade for this component is 1" higher than the surface grade of the main playground post you must dig your footing hole 1" deeper.
- You must place the bottom of the support post or slide leg on a suitable flat blocking material to prevent it from sinking further into the soil. We recommend you use a brick, block of wood or several inches of gravel. The footing depth does not include this blocking material since materials used often vary.
- It is the owner/installers responsibility to check local building codes and to comply with those codes. All footing depths listed here are recommendations and local soil types and frost lines may require a deeper and/or wider footing depth. If that's the case you must add more blocking material to accommodate the deeper footing, as the post length will still only be installed at the depth listed in this instruction manual.
- Assemble the entire unit before adding the concrete unless instructed to do so in the individual component instruction sections.



## FOOTING AND ELEVATION VIEW





### **SPECIFICATIONS**

- **Tube** – Flo Coat® Galvanized 1” and 1 3/8” O.D.
- **Hardware** – Stainless steel & tamper resistant
- **Paint** – Electrostatically applied & oven cured powder coat.
- **Safety Barrier**-1 3/8” O.D. tubing bent with 1” O.D. tube welded rungs.

### **INSTALLATION TIPS & TROUBLE SHOOTING**

- SportsPlay Equipment Inc. recommends pre-drilling the holes in the post when attaching the brackets with a number #7 drill bit. This will make the attachment of the brackets with the self-tapping screws easier, and it will prevent damage to the screw head during installation.
- Apply locktite to all bolts during assembly prior to completely tightening them.
- Stainless Steel hardware can occasionally be difficult to use particularly if you need to take them out to make an adjustment. It is recommended that you add a drop of oil to bolts that may have to be removed before you install them.
- Do not tighten bolts all the way until the unit is completely assembled and all components are square and level.
- Identify and separate all parts by referencing the detail drawings and the parts list.
- As you unpack and separate the components, use the cardboard sheets that were used for packing and shipping to prevent damage to the components. This is particularly true all Powder Coated and Thermoplastic coated components, by setting the components on top of the cardboard.

### **BEFORE YOU BEGIN**

In addition to the components on the packing list, you will need a drill with the #7 drill bit, tape measure, post hole digger, blocking material, and cement.

### **INSTALLATION STEPS**

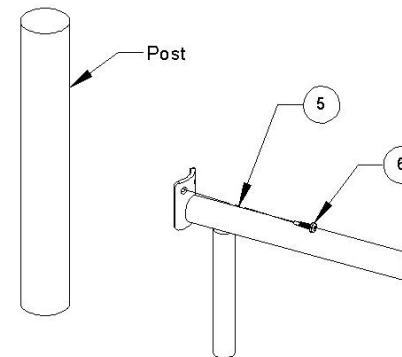
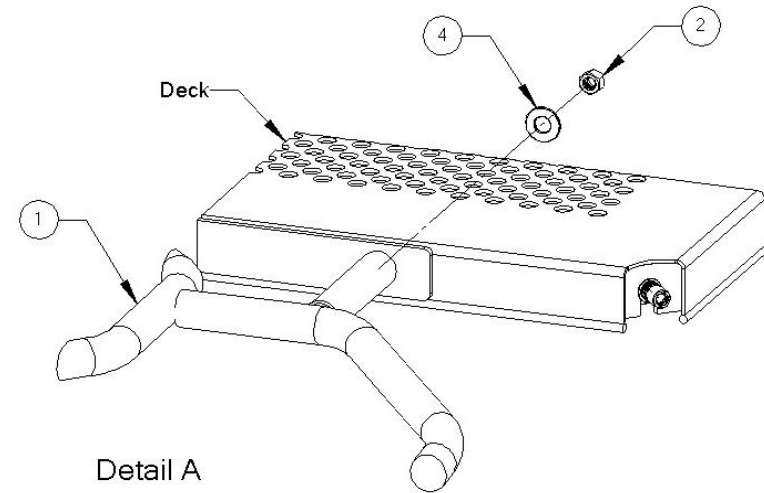
**\_\_1) Review all instructions before beginning:**

**\_\_2) Unpack, organize, and identify all components:** Be sure to place all painted components on a protective surface (cardboard, cloth, etc...) to prevent damage.

**\_\_3) Locate placement of the Turtle Climber:** See top-down view of your instruction booklet.

**\_\_4) Attach the Turtle Climber to the Deck:** You will need the Turtle climber (1), three 3/8" Nylon Locknut (2), and three, 3/8" Flat Washers (4). Place the Turtle Climber into the holes of the deck and line the Turtle Climber up with the deck. Using a 3/8" Nylon Locknut with a 3/8" Flat Washer, place on the back side of the bolts under the deck. Do not tighten the nuts until you have the remaining installed on the deck. Tighten all three nuts. (See detail A)

**\_\_5) Install Tot Town Climber Handholds:** Placement of the Tot Town Turtle Climber you will need to install the Tot Town Climber Handholds (5). First, you will need to mark the holes on the post for the Tot Town Climber Handholds. Mark and drill the holes. Secure the Tot Town Climber Handholds to the posts with the Self Tapping Screws (6) (See detail B)



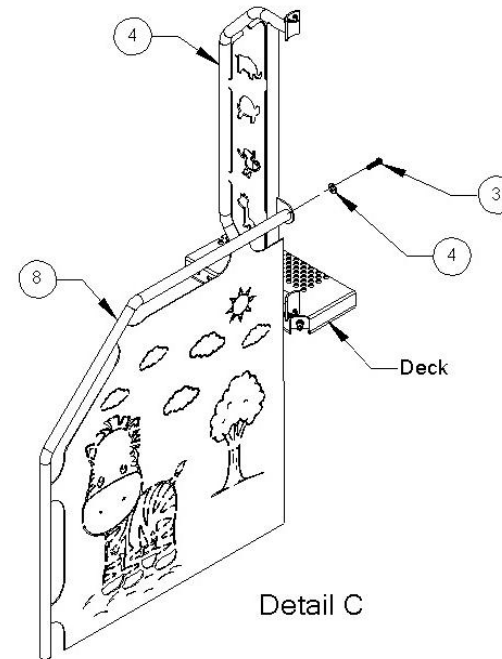
Detail B

### **INSTALLATION STEPS CONTINUED**

**5) Dig Footings:** See Footing detail.

**6) Attach the Tot Town Turtle Sides to Handhold:** You will need the Tot Town Turtle Sides (8) two 3/8" X 1 1/4" Button Head Bolts (3), and two, 3/8" Flat Washers. Place the Tot Town Turtle Sides legs into the footing hole. Using a 3/8" X 1 1/4" Button Head Bolt with a 3/8" Flat Washer on it, insert it through the hole of the handhold and into the center threaded insert in the Tot Town Turtle Side. Do not tighten this bolt until you have the remaining bolt installed through the handhold. Tighten all bolts. (See detail C)

**7) Attach the Turtle Climber to the Turtle Side:** You will need four 3/8" X 1 1/4" Button Head Bolts (3), four 3/8" Flat Washers (4), four Bolt Caps (7) and four 3/8" Nylon Locknuts (2). Using a 3/8" X 1 1/4" Button Head Bolt with a 3/8" Flat Washer on it, insert it through the hole of the tab of the Turtle Climber and into the hole of the turtle side panel. Secure it with the bottom portion of the bolt cap, 3/8 Flat Washer and 3/8" Locknut. Do not tighten these bolts until you have the remaining three bolts installed through the side panels. Once all the bolts are tightened then you will need to place the caps onto the bottom of the bolt cap. (See detail D)

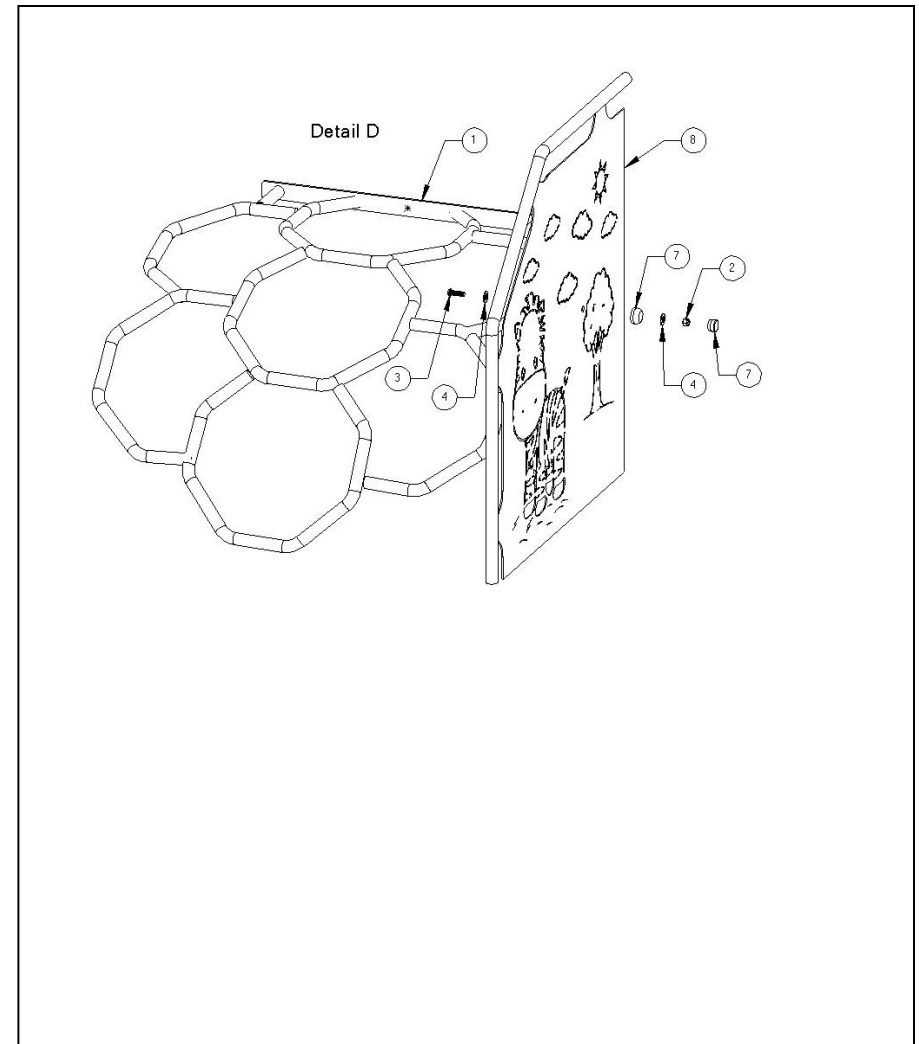


**INSTALLATION STEPS CONTINUED**

\_\_8) Once the entire playground has been installed and you have verified that the entire playground is level you can **add the concrete to the footing holes**. Be sure to use concrete with a minimum 2,500 psi and mix the concrete per the manufacturer's directions before you pour it into the footing hole. Once the footing has been filled with concrete you should rope of the area for a minimum of 48 hours to allow the concrete set properly.

\_\_9) **Once the concrete has set**, back fill dirt over the footing holes; inspect the area and components for tools, hazardous debris, and sharp edges. Verify all components are installed and all hardware is tight and then install the safety surfacing.

\_\_10) **Inspect the components** for sharp edges and if necessary, file them down and apply touch up paint.



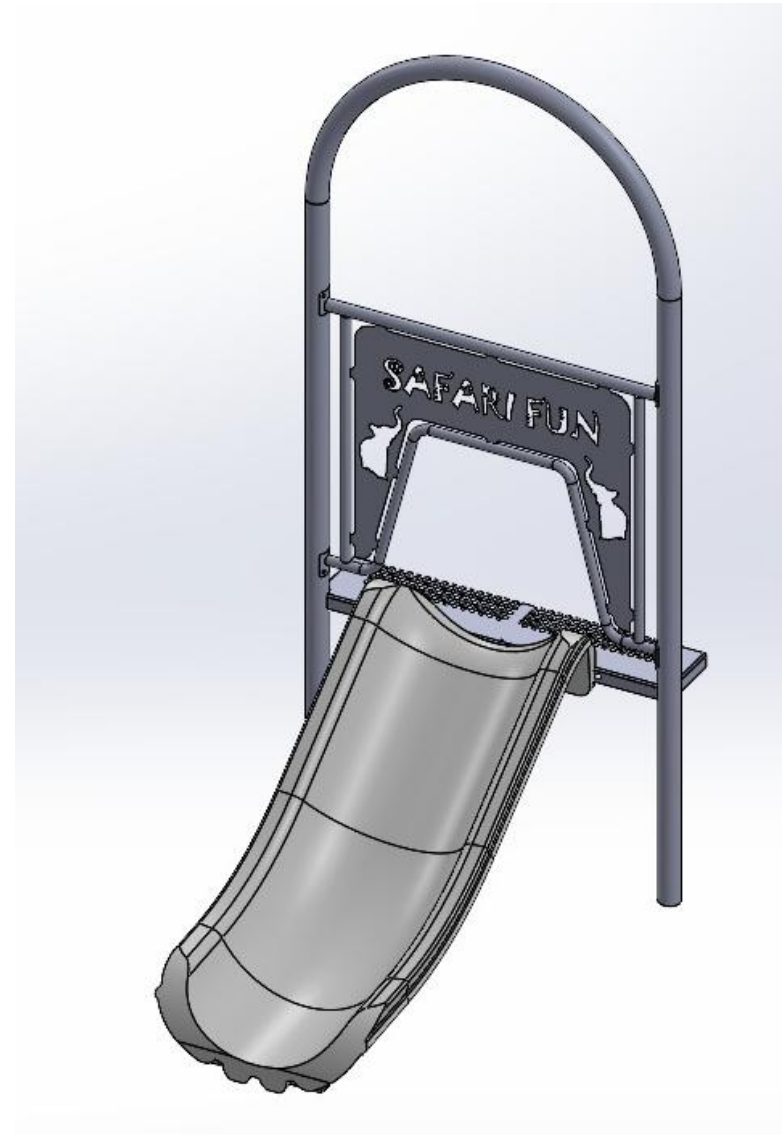
#### INSTALLATION DETAILS

- Recommended crew: 2
- Installation time: 2 Hours
- User age: 2-5 Years
- Use zone: 72"
- Weight: 128 lbs.

**SURFACING:** Use of safety surfacing in compliance with the current ASTM specification F1292 is required.

#### MAINTENANCE:

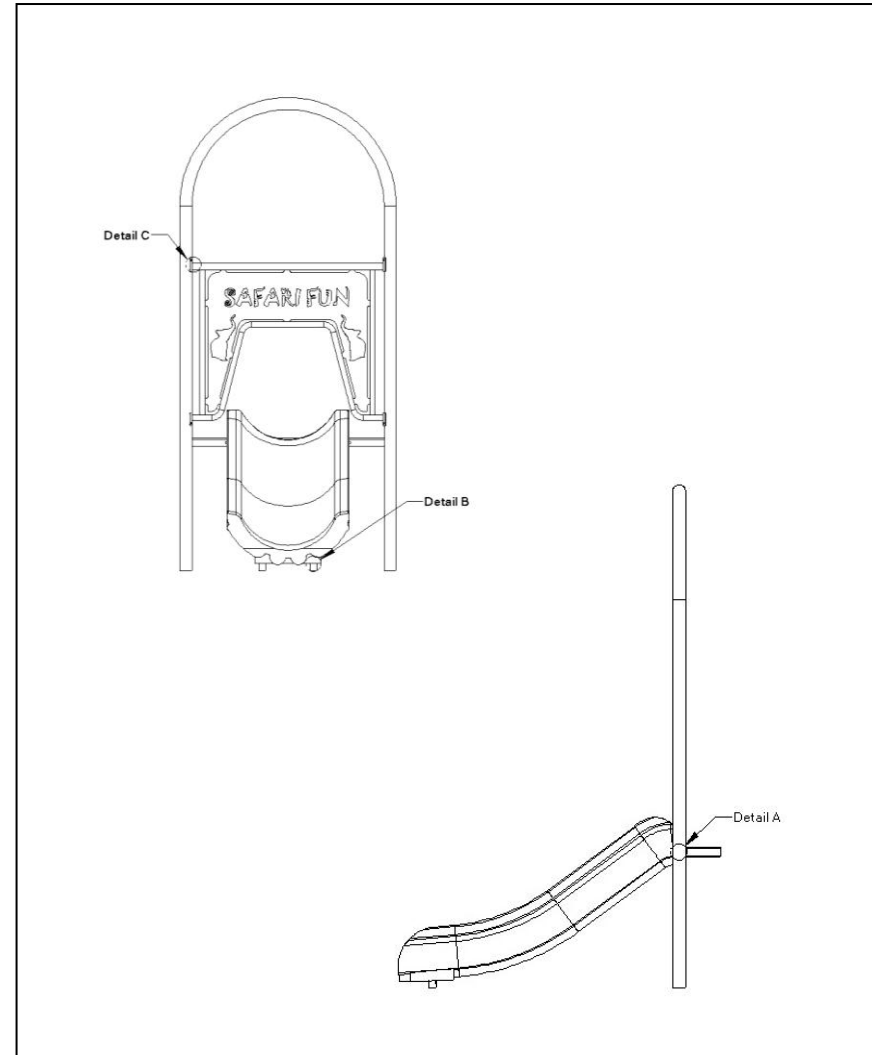
- As the owner of the playground, you are responsible for maintenance of the equipment and play area. A maintenance schedule must be developed, and the equipment inspected frequently. A maintenance section that includes component specific maintenance requirements is included at the end of this manual.
- Be sure to inspect surfacing for foreign objects that could cause injury and that sufficient surfacing is in place in accordance with ASTM ([www.astm.org](http://www.astm.org)) and CPSC ([www.cpsc.gov](http://www.cpsc.gov)) standards.



**PARTS LIST**

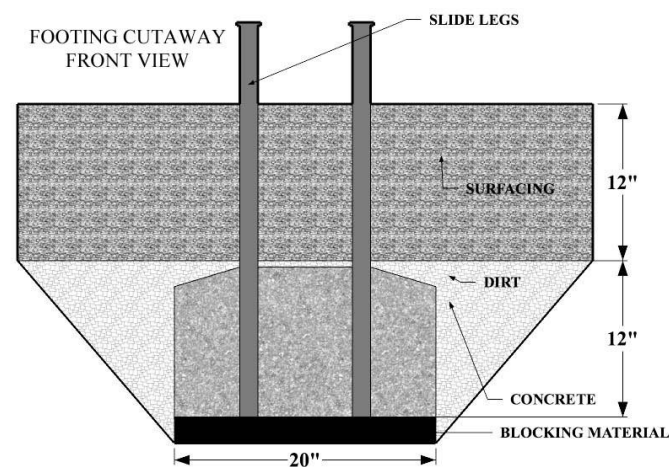
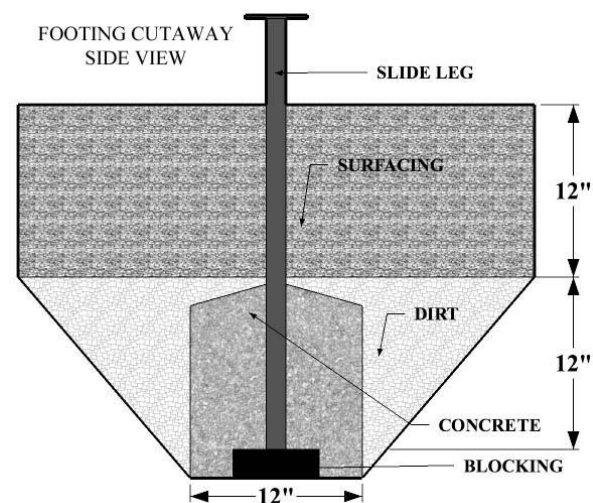
ID	PART #	DESCRIPTION	QTY
1	435-601	2' Double Wall Slide	1
2	923-312	Tot Town Double Slide Guard	1
3	900-000	Slide Leg	1
4	905-526	Self-Tapping Screws	8
5	126-706	3/8 x 1 3/4 Button Head Bolt	3
6	316-601	3/8 Washer	7
7	126-702	3/8 x 3/4 Button Head Bolt	4

**NOTE:** Keep a copy of these instructions on file to assist you with maintenance and replacement parts

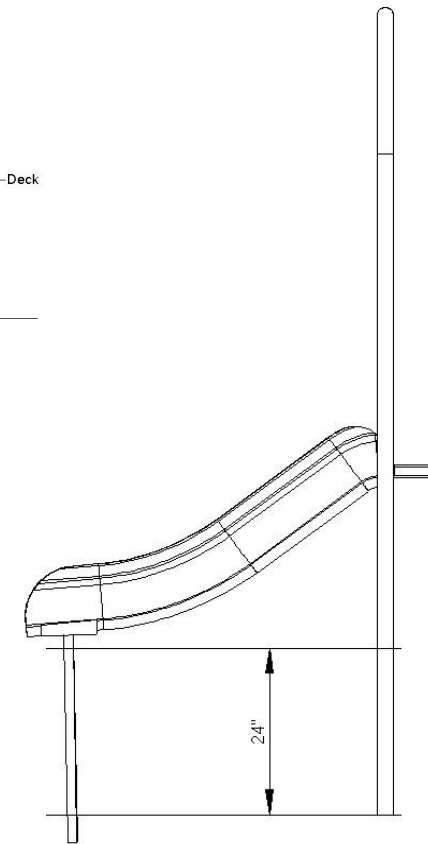
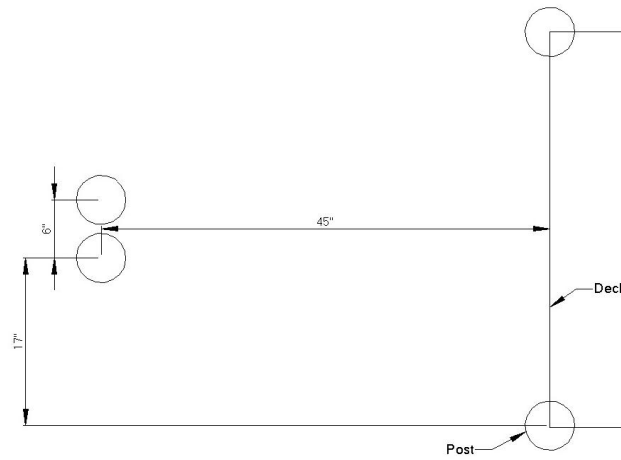
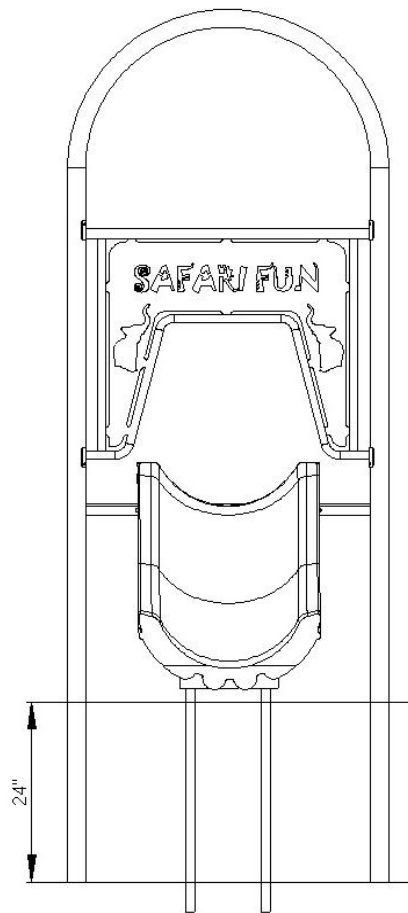


### FOOTING INFORMATION

- You must place the bottom of the support post or slide leg on a suitable flat blocking material to prevent it from sinking further into the soil. We recommend you use a brick, block of wood or several inches of gravel. The footing depth does not include this blocking material since materials used often vary.
- Total footing depth is 24" less the height of the surfacing plus the height of the blocking material. If you were using 12" of surfacing the footing hole would need to be 12" plus the height of the blocking material (refer to both the side and front cutaway views to the right).
- If the Play structure is installed on an unlevel grade you must adjust the footing depth to accommodate the grade. For instance, if the grade for this component is 1" higher than the surface grade of the main playground post you must dig your footing hole 1" deeper.
- It is the owner/installers responsibility to check local building codes and to comply with those codes. All footing depths listed here are recommendations and local soil types and frost lines may require a deeper and/or wider footing depth. If that's the case you must add more blocking material to accommodate the deeper footing, as the post length will still only be installed at the depth listed in this instruction manual.
- Assemble the entire unit before adding the concrete unless instructed to do so in the individual component instruction sections.



### ELEVATION AND FOOTING LAYOUT





## 922-000-2 2'TOT TOWN DOUBLE WALL STRAIGHT SLIDE INSTALLATION INSTRUCTION

### **SPECIFICATIONS**

- Slide – 3/8” walled rotationally molded LLDPE
- Paint – Electrostatically applied & oven cured powdercoat
- Hardware – Stainless steel & tamper resistant
- Tube – FloCoat® Galvanized 1 3/8” OD and 1” OD.
- Attachment Bracket – Powder coated cast aluminum

### **SPECIAL SAFETY COMPLIANCE NOTES**

- ASTM F1487 8.5.5.2 the run-out slope of slide exit region must be between 0 and -4 degrees.
- ASTM F 1487 8.5.5.3 For slides with an elevation of no greater than 48 in., the height of the exit region shall be no greater than 11 in. above the protective surfacing. For slides with an elevation greater than 48 in., the height of the exit region shall be between 7 in. and 15 in. above the protective surfacing

### **INSTALLATION TIPS & TROUBLE SHOOTING**

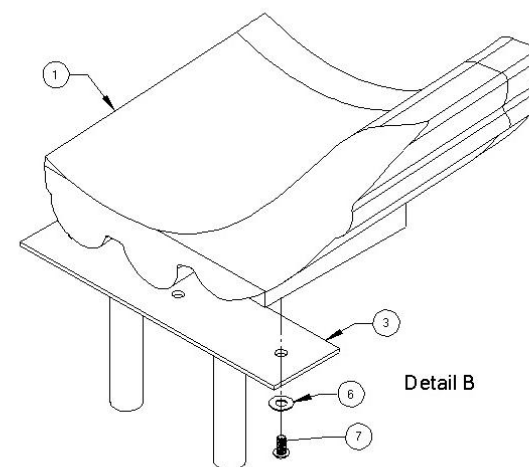
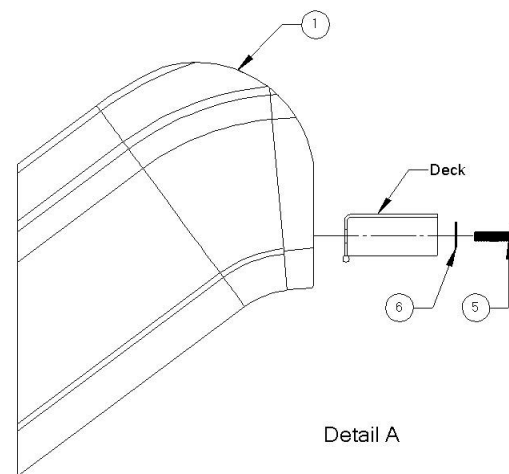
- SportsPlay Equipment Inc. recommends pre-drilling the holes in the post when attaching brackets with a number #7 drill bit. This will make the attachment of the brackets with the self-tapping screws easier, and it will prevent damage to the screw head during installation.
- Apply locktite to all bolts during assembly prior to completely tightening them.
- Stainless Steel hardware can occasionally be difficult to use particularly if you need to take it out to make an adjustment. It is recommended that you add a drop of oil to bolts that may have to be removed before you install it.
- Do not tighten bolts all the way until the unit is completely assembled and all components are square and level.
- Identify and separate all parts by referencing the detail drawings and the parts list.
- As you unpack and separate the components use the cardboard sheets that were used for packing and shipping to prevent damage to the components. This is particularly true for all Powder Coated and Thermoplastic coated components, by setting the components on top of the cardboard.

### **BEFORE YOU BEGIN**

In addition to the components on the packing list, you will need concrete, shovel, post-hole digger, tape measure, ground marking (for marking the footing location), drill, hex wrenches and a dry erase marker.

### **INSTALLATION STEPS**

- 1. Review all instructions before beginning.**
- 2. Unpack, organize and identify all components.** Be sure to place all painted components on a protective surface (cardboard, cloth, etc...) to prevent damage.
- 3. Dig footing holes.** Referencing the footing cutaway drawings on page 3, the footing layout and elevation views on page 4 of this component's instruction set along with the main footing diagram on page 5 of the installation guide, mark and dig the footings as instructed for the slide legs. (Footing depth is 24" less the amount of surfacing used plus the thickness of the blocking material). SportsPlay recommends setting the slide up to the deck and using the slide to mark the position of the slide legs to establish the location of the required footing.
- 4. Attach slide legs (3)** to the bottom of the slide by inserting a 3/8 x 3/4 bolt (7) and 3/8 washer (6) through the plate on the slide leg (3) and into the factory installed nut on the underneath the exit end of the slide (Detail B). Once all bolts are in place you can tighten them.



### INSTALLATION STEPS CONTINUED

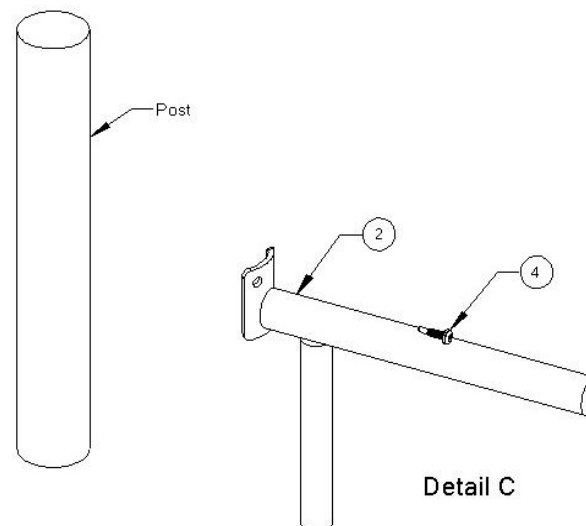
\_\_5. With help, **place the slide legs into the footing holes** and attach the slide to the playground deck.

\_\_6. Using the 3/8 x 1 3/4 bolts (5) and 3/8 washers (6) **attach the slide to the deck** by inserting the bolts and washers through the holes in the deck and into the factory installed nuts at the entrance to the slide (Detail A).

\_\_7. **Measure up the playground post from the deck 38"** and mark that location on both of the playground posts. This mark represents the attachment point for the top of the slide guard (reference the front view drawing on page 2).

\_\_8. **Attach Slide Guard to the Post** Put the slide guard in place between the posts by lining up the top of the slide guard with the mark you made on the post in step 7. **Attach the slide guard to the posts** by screwing the self-tapping screws (4) through the two-hole brackets and into the playground post using the Torx bit and drill (Detail C). Repeat step on the remaining three brackets.

**TIP: It's easier to install the self tapping screws if you predrill the holes in the post with a #7 drill bit by marking the hole locations with a dry erase marker after you have put the guard wall into position.**





**INSTALLATION INSTRUCTIONS CONTINUED**

\_\_10. **Level and square the slide** making sure to keep 11” of spacing from the slide bed to the top of the safety surfacing.

\_\_11. Once slide is in position and you have verified its square and level you may **tighten the bolts connecting the slide to the deck.**

\_\_12. **Inspect the components** for sharp edges and if necessary, file them down and apply touch up paint.

\_\_13. Once the entire playground has been installed and you have verified that the entire playground is level you can **add the concrete to the footing holes.** Be sure to use concrete with a minimum 2,500 psi and mix the concrete per the manufacturers directions before you pour it into the footing hole. Once the footing has been filled with concrete you should rope of the area for a minimum of 48 hours to allow the concrete set properly.

\_\_14. **Once the concrete has set,** back fill dirt over the footing holes; inspect the area and components for tools, hazardous debris and sharp edges. Verify all components are installed and all hardware is tight and then install the safety surfacing.

\_\_15. **Install labeling** as instructed in the appendix of the instruction manual.

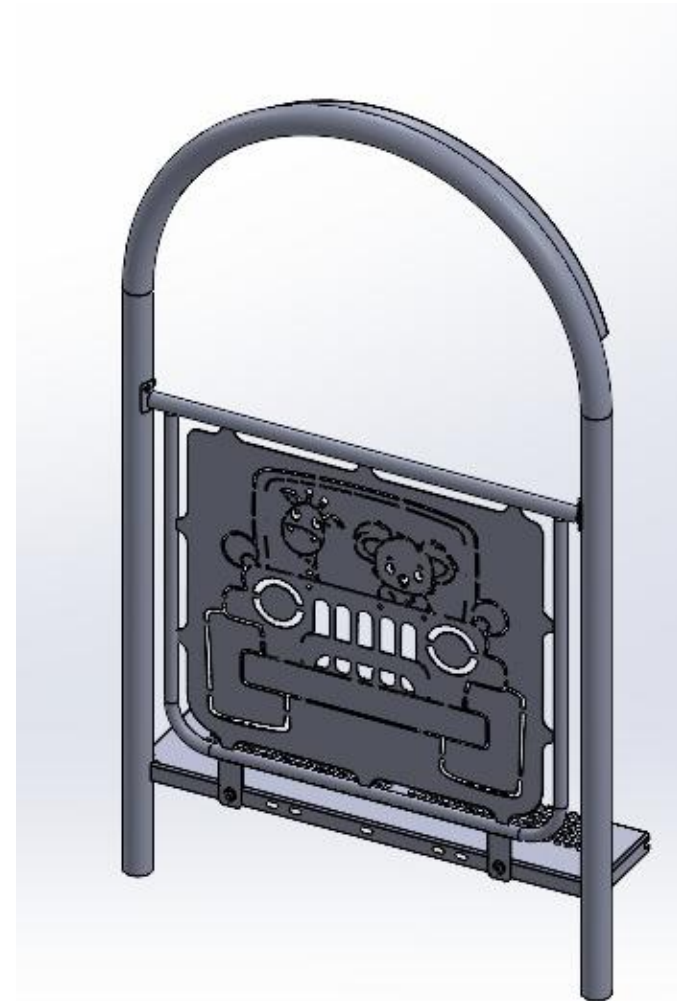
#### **INSTALLATION DETAILS**

- Recommended crew (Adult): **1**
- Installation time: **30 min (.5-man hrs.)**
- User age: **2-5**
- Use zone: **72"**
- Weight: **40**

**SURFACING: Use of safety surfacing in compliance with ASTM specification F1292 is required.**

#### **MAINTENANCE:**

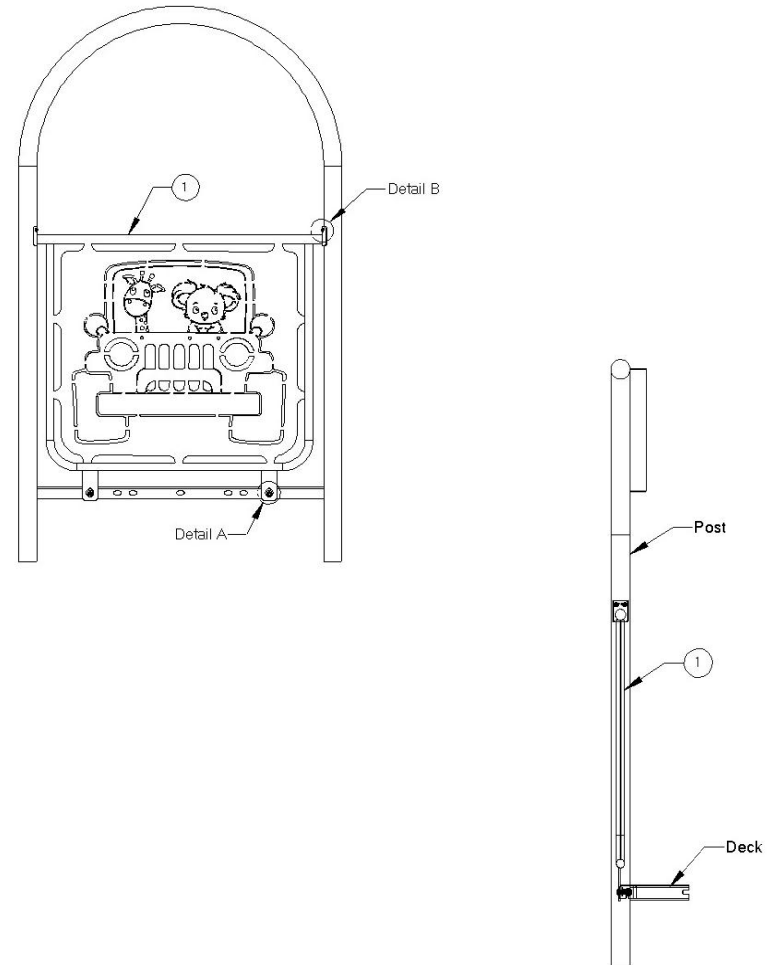
- As the owner of the playground, you are responsible for maintenance of the equipment and play area. A maintenance schedule must be developed, and the equipment inspected frequently. A maintenance section that includes component specific maintenance requirements is included at the end of this manual.
- Be sure to inspect surfacing for foreign objects that could cause injury and that sufficient surfacing is in place in accordance with ASTM and CPSC standards.



**PARTS LIST**

ID	PART #	DESCRIPTION	QTY
1	923-000	Tot Town Guard Wall	1
2	905-526	Self-Tapping Screw	8
3	126-703	3/8"x1" Button Head Bolt	2
4	316-601	3/8" Flat Washer	4
5	226-602	3/8" Lock Nut	2

**NOTE:** Keep a copy of these instructions on file to assist you with maintenance and replacement parts.





### **SPECIFICATIONS**

- **Paint** – Electrostatically applied & oven cured powder coat
- **Hardware** – Stainless steel & tamper resistant
- **Tube** – FloCoat® Galvanized 1 3/8” O.D. and 1” O.D.
- **Attachment Bracket** – Powder coated cast aluminum
- **Guard Wall**-1 3/8” O.D. and 1” O.D.
- **Steering Wheel**-Injection Molded Plastic

### **SPECIAL SAFETY & ASTM COMPLIANCE NOTES**

- *CRITICAL MEASUREMENT* IT IS EXTREMELY IMPORTANT THAT YOU MAINTAIN A MAXIMUM OF 3 1/2” DISTANCE BETWEEN THE TOP, BOTTOM, OR SIDES OF THE PANEL AND THE NEAREST EDGE OF THE DECK OR POSTS.

### **INSTALLATION TIPS & TROUBLE SHOOTING**

- SportsPlay Equipment Inc. recommends pre-drilling the holes in the post when attaching the bracket with a number #7 drill bit. This will make the attachment of the bracket with the self-tapping screws easier, and it will prevent damage to the screw head during installation.
- Apply locktite to all bolts during assembly prior to completely tightening them.
- Stainless Steel hardware can occasionally be difficult to use particularly if you need to take them out to make an adjustment. It is recommended that you add a drop of oil to bolts that may have to be removed before you install them.
- Do not tighten bolts all the way until the unit is completely assembled and all components are square and level.
- Identify and separate all parts by referencing the detail drawings and the parts list.
- As you unpack and separate the components, use the cardboard sheets that were used for packing and shipping to prevent damage to the components. This is particularly true all Powder Coated and Thermoplastic coated components, by setting the components on top of the cardboard.

### **BEFORE YOU BEGIN**

In addition to the components on the packing list, you will need a drill with a #7 drill bit, tape measure, 7/32" Allen Wrench, 9/16" wrench and a dry erase marker.

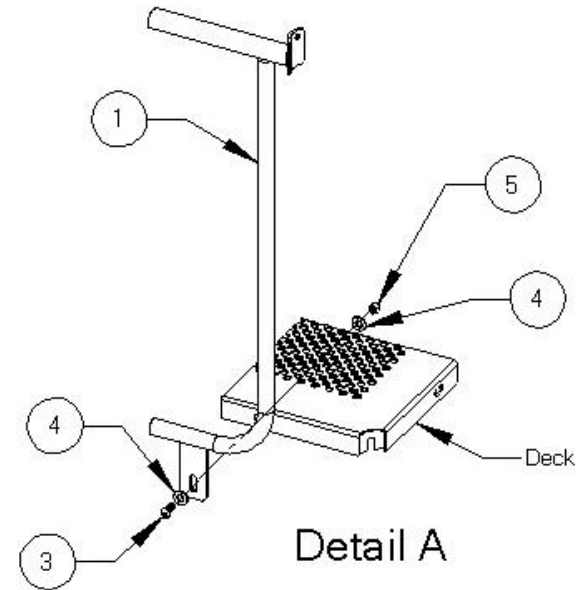
### **INSTALLATION STEPS**

**\_\_1) Review all instructions before beginning:**

**\_\_2) Unpack, organize, and identify all components:** Be sure to place all painted components on a protective surface (cardboard, cloth, etc...) to prevent damage.

**\_\_3) Locate placement of the Guard Wall:** See top-down view of your instruction booklet.

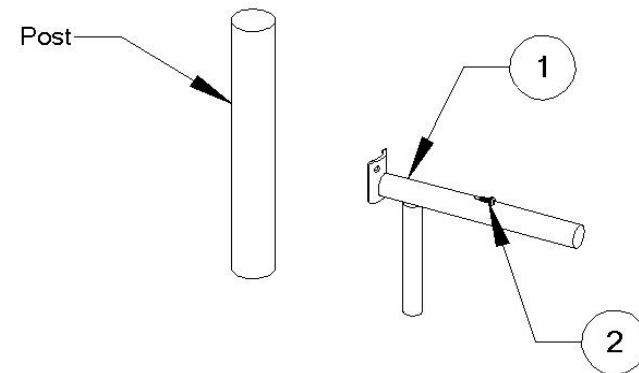
**\_\_4) Attach Panel to Deck:** You will need the Guard Wall (1), eight Self-Tapping Screws (2), two 3/8" x 1" Button Head Bolts (3), four 3/8" Flat washers (4) and two 3/8" Lock Nuts (5). First, you will need to place the Guard Wall but do not attach the brackets to the playground post at this time. Using the 3/8" x 1" Button Head Bolts with a flat washer installed, place it through the Guard Wall and into the correct factory punched hole in the deck you are installing it to. Secure it with a 3/8 Flat Washer and 3/8" Locknut on the underside of deck, do not completely tighten locknut at this time. (See detail A)



### INSTALLATION STEPS CONTINUED

5) **Connect the brackets to posts:** Now you need to install the brackets to the posts. The top of the, Guard Wall should be 38" from the surface of the deck to the top of the panel. Once you have the top of the panel at the correct height tighten the two 3/8" x 1" Button Head bolts (3). The Brackets get installed with the Self-Tapping Screws (2). **TIP: It's easier to install the self-tapping screws if you predrill the holes in the post with a #7 drill bit.** Install the Self-Tapping Screws into the holes you have drilled in the posts with the Bracket. (See detail B)

6) **Inspect the components:** for sharp edges and if necessary, file them down and apply touch up paint.



Detail B

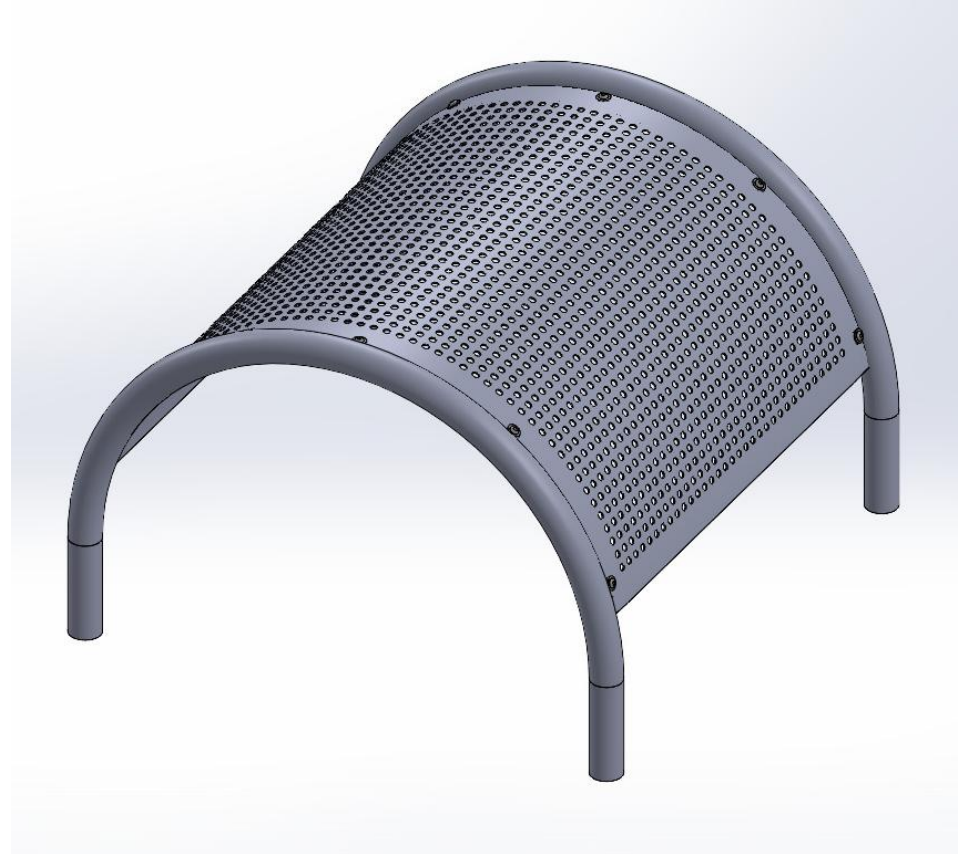
#### **INSTALLATION DETAILS**

- Recommended crew (Adult): **2**
- Installation time: **1 hr.**
- User age: **2-5**
- Use zone: **NA**
- Weight: **92 lbs.**

**SURFACING: Use of safety surfacing in compliance with ASTM specification F1292 is required.**

#### **MAINTENANCE:**

- As the owner of the playground, you are responsible for maintenance of the equipment and play area. A maintenance schedule must be developed and the equipment inspected frequently. A maintenance section that includes component specific maintenance requirements is included at the end of this manual.
- Be sure to inspect surfacing for foreign objects that could cause injury and that sufficient surfacing is in place in accordance with ASTM and CPSC standards.







### **SPECIFICATIONS**

- **Paint** – Electrostatically applied & oven cured powder coat
- **Hardware** – Stainless steel & tamper resistant
- **Roof** – 12Ga. Steel Powder Coated.

### **SPECIAL SAFETY & ASTM COMPLIANCE NOTES**

- (MUST INCLUDE SECTION IN STANDARD)

### **INSTALLATION TIPS & TROUBLE SHOOTING**

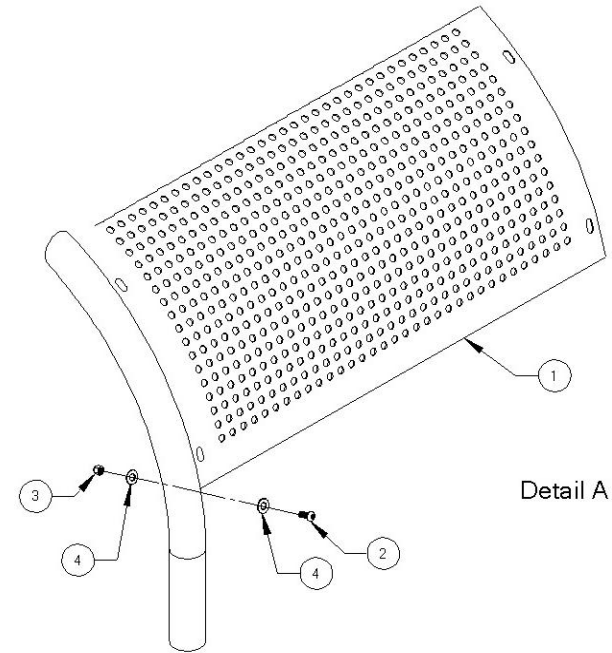
- SportsPlay Equipment Inc. recommends pre-drilling the holes in the post when attaching brackets with a number #7 drill bit. This will make the attachment of the brackets with the self-tapping screws easier, and it will prevent damage to the screw head during installation.
- Apply Loctite to all bolts during assembly prior to completely tightening them.
- Stainless Steel hardware can occasionally be difficult to use particularly if you need to take them out to make an adjustment. It is recommended that you add a drop of oil to bolts that may have to be removed before you install them.
- Do not tighten bolts all the way until the unit is completely assembled and all components are square and level.
- Identify and separate all parts by referencing the detail drawings and the parts list.
- As you unpack and separate the components, use the cardboard sheets that were used for packing and shipping to prevent damage to the components. This is particularly true all Powder Coated and Thermoplastic coated components, by setting the components on top of the cardboard.

### **BEFORE YOU BEGIN**

In addition to the components on the packing list, you will need a drill and 3/4" drill bit, tape measure, marker, and a ladder.

### **INSTALLATION STEPS**

- 1) Review all instructions before beginning:**
- 2) Unpack, organize, and identify all components:** Be sure to place all painted components on a protective surface (cardboard, cloth, etc.) to prevent damage.
- 3) Locate placement of the Arch Roof:** See top-down view of your instruction booklet.
- 4) Position the Arch Roof in place:** You will need to center the arch roof over the slots in the arch posts. Now that you have the Arch Roof up on the arch posts. You will connect using ten 3/8" x 1" Button Head Bolts (2), twenty 3/8" Flat Washers (4), and ten 3/8" Locknuts (3). Place one 3/8" Flat Washer on to each of the ten 3/8" x 1" Button Head Bolts. Insert the Bolt and Washer assembly through the top holes of the arch roof, then through the arch post holes. (See detail A). Secure this with a 3/8" Flat Washer and Locknut. Do not tighten all bolts until they are all installed. Now you can tighten the ten bolts to secure the arch roof.





**INSTALLATION STEPS CONTINUED**

5) **Inspect the components:** for sharp edges and if necessary, file them down and apply touch up paint.



**THIS PAGE WAS INTENTIONALLY LEFT BLANK**

### **Deck Attachment**

- Ensure deck is securely attached to post and all hardware is in place and in good condition.

### **Hardware**

- Inspect for loose or missing hardware. Tighten all loose hardware and replace all missing hardware. Block off access to equipment if necessary.
- Order new hardware from SportsPlay Equipment Inc.

### **Welds**

- Inspect all welds for cracks. If a crack is found block access to the playground and contact your distributor for replacement parts immediately.

### **Finish**

- Inspect all metal components for coating damage. If powder coating needs to be repaired sand surface and mask off area. Coat with primer and once the primer has dried paint with color matching touch up paint. Contact distributor of color matching paint. Contact Distributor for Thermoplastic repair kit.

**Surfacing** - Refer to the surfacing maintenance sheet.

### **Replacement Parts**

- Reference the parts list on page 2 of the instruction set for this component to identify the part/s correctly.
- Contact your distributor to order parts.





### **Deck Attachment**

- Ensure deck is securely attached to post and all hardware is in place and in good condition.

### **Hardware**

- Inspect for loose or missing hardware. Tighten all loose hardware and replace all missing hardware. Block off access to equipment if necessary.
- Order new hardware from SportsPlay Equipment Inc.

### **Welds**

- Inspect all welds for cracks. If a crack is found block access to the playground and contact your distributor for replacement parts immediately.

### **Finish**

- Inspect all metal components for coating damage. If powder coating needs to be repaired sand surface and mask off area. Coat with primer and once the primer has dried paint with color matching touch up paint. Contact distributor of color matching paint. Contact Distributor for Thermoplastic repair kit.



**Surfacing** - Refer to the surfacing maintenance sheet.

### **Replacement Parts**

- Reference the parts list on page 2 of the instruction set for this component to identify the part/s correctly.
- Contact your distributor to order parts.



**922-000 2' TOT TOWN TRANSFER STATION  
EQUIPMENT MAINTENANCE**

**INSPECTION FORM**

- MAKE COPIES OF THIS FORM TO USE FOR INSPECTION
- REVIEW THE “MAINTENANCE GUIDE” IN THE APPENDIX TO BETTER UNDERSTAND THE IMPORTANCE OF MAINTENANCE AND HOW TO DEVELOP A MAINTENANCE SCHEDULE.
- DOCUMENT ALL MAINTENANCE ACTIONS ON THE LIST AS WELL AS ANY NOT LISTED.
- INCLUDE DATES AND SIGNATURES

Inspection Checklist	Recommended Frequency	Grade (Pass/Fail/NA)	Date Inspected	Date Repairs Completed
Inspect Deck Attachment to Post	Monthly			
Inspect Hardware	Monthly			
Inspect Finish	Monthly			

Inspector: \_\_\_\_\_ Signature: \_\_\_\_\_ Date: \_\_\_\_\_

<b>Maintenance Record</b>			
Part	Problem	Corrective Action	Date

### **Brackets**

- Inspect all four-hole clamps and panel clamps.
- Ensure the setscrews are tight and in place.
- Ensure all Torx Screws are in place and that the bracket is firmly attached to post.
- Inspect the clamps for cracks and sharp edges. Smooth any sharp edges and fix the finish. Replace brackets if cracked.

### **Hardware**

- Inspect for loose or missing hardware. Tighten all loose hardware and replace all missing hardware. Block off access to equipment if necessary.

### **Plastic**

- Inspect plastic for sharp edges, gouges and wear at the connection point
  - Fix sharp edges and gouges with a utility knife and sandpaper
  - Order replacement parts if necessary

### **Welds**

- Inspect all welds for cracks. If a crack is found block access to the playground and contact your distributor for replacement parts immediately.

### **Finish**

- Inspect all metal components for coating damage. If powder coating needs to be repaired sand surface and mask off area. Coat with primer and once the primer has dried paint with color matching touch up paint. Contact distributor of color matching paint. Contact Distributor for Thermoplastic repair kit.

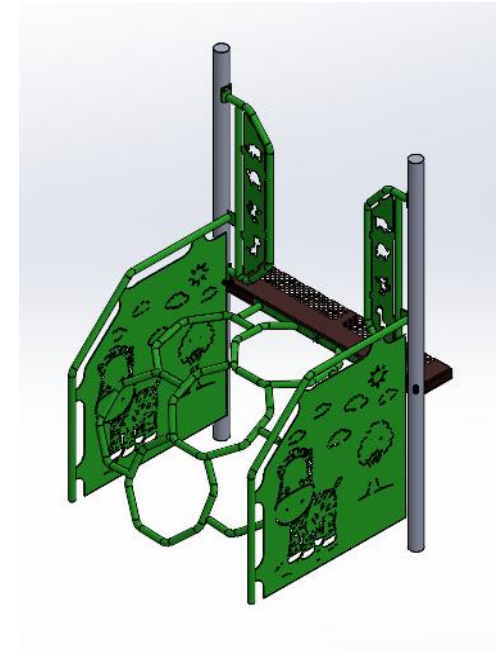
**Surfacing** - Refer to the surfacing maintenance sheet.

### **Footings**

- Inspect all footings to ensure equipment is secure. You must block access to prevent access until repair is made.

### **Replacement Parts**

- Reference the parts list on page 2 of the instruction set for this component to identify the part/s correctly.
- Contact your distributor to order parts.





### **Brackets**

- Inspect all four-hole clamps and panel clamps.
- Ensure the setscrews are tight and in place.
- Ensure all Torx Screws are in place and that the bracket is firmly attached to post.
- Inspect the clamps for cracks and sharp edges. Smooth any sharp edges and fix the finish. Replace brackets if cracked.

### **Hardware**

- Inspect for loose or missing hardware. Tighten all loose hardware and replace all missing hardware. Block off access to equipment if necessary.

### **Plastic Components**

- Inspect for any sharp edges or deformities. Minor deformities and sharp edges can be repaired using a utility knife. Block off access until repairs are made. Contact distributor for replacement parts.

### **Welds**

- Inspect all welds for cracks. Block access to the playground and contact your distributor for replacement parts immediately.

### **Finish**

- Inspect all metal components for coating damage. If powder coating needs to be repaired sand surface and mask off area. Coat with primer and once the primer has dried paint with color matching touch up paint. Contact distributor of color matching paint. Contact Distributor for Thermoplastic repair kit.

**Surfacing** - Refer to the surfacing maintenance sheet.

### **Slide**

- Refer to “Plastic Components” section.
- Inspect run-out section of the slide for standing water. Adjust the slide by digging up existing footing and install it slightly lower to increase the slope of the slide.

### **Footings**

- Inspect all footings to ensure equipment is secure. You must block access to prevent access until repair is made.

### **Replacement Parts**

- Reference the parts list on page 2 of the instruction set for this component to identify the part/s correctly.
- Contact your distributor to order parts.





### **Brackets**

- Inspect all four-hole clamps and panel clamps.
- Ensure the setscrews are tight and in place.
- Ensure all Torx Screws are in place and that the bracket is firmly attached to post.
- Inspect the clamps for cracks and sharp edges. Smooth any sharp edges and fix the finish. Replace brackets if cracked.

### **Hardware**

- Inspect for loose or missing hardware. Tighten all loose hardware and replace all missing hardware. Block off access to equipment if necessary.

### **Plastic Components**

- Inspect for any sharp edges or deformities. Minor deformities and sharp edges can be repaired using a utility knife. Block off access until repairs are made. Contact distributor for replacement parts.

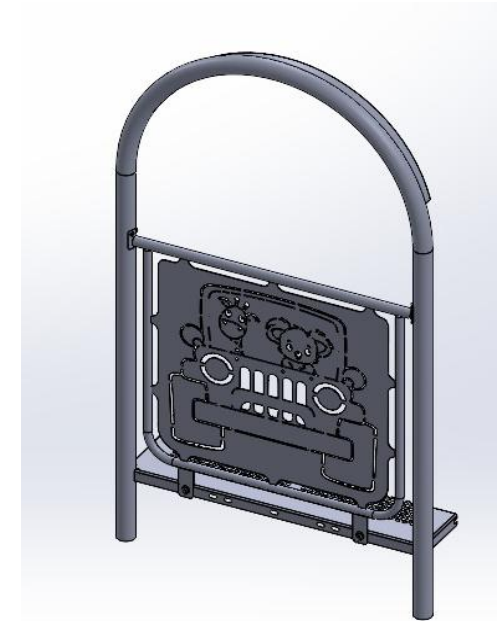
### **Welds**

- Inspect all welds for cracks. If a crack is found block access to the playground and contact your distributor for replacement parts immediately.

### **Finish**

- Inspect all metal components for coating damage. If powder coating needs to be repaired sand surface and mask off area. Coat with primer and once the primer has dried paint with color matching touch up paint. Contact distributor of color matching paint. Contact Distributor for Thermoplastic repair kit.

**Surfacing** - Refer to the surfacing maintenance sheet.



### **Footings**

- Inspect all footings to ensure equipment is secure. You must block access to prevent access until repair is made.

### **Replacement Parts**

- Reference the parts list on page 2 of the instruction set for this component to identify the part/s correctly.
- Contact your distributor to order parts.



**922-000 TOT TOWN GUARD WALL PANEL  
EQUIPMENT MAINTENANCE**

**INSPECTION FORM**

- MAKE COPIES OF THIS FORM TO USE FOR INSPECTION
- REVIEW THE “MAINTENANCE GUIDE” IN THE APPENDIX TO BETTER UNDERSTAND THE IMPORTANCE OF MAINTENANCE AND HOW TO DEVELOP A MAINTENANCE SCHEDULE.
- DOCUMENT ALL MAINTENANCE ACTIONS ON THE LIST AS WELL AS ANY NOT LISTED.
- INCLUDE DATES AND SIGNATURES

Inspection Checklist	Recommended Frequency	Grade (Pass/Fail/NA)	Date Inspected	Date Repairs Completed
Inspect Brackets	Weekly			
Inspect Hardware	Weekly			
Inspect Plastic Components	Weekly			
Inspect Finish	Monthly			
Inspect Footing	Yearly			
Inspect Surfacing	Daily			

Inspector: \_\_\_\_\_ Signature: \_\_\_\_\_ Date: \_\_\_\_\_

<b>Maintenance Record</b>			
Part	Problem	Corrective Action	Date

### **Brackets**

- Inspect all four-hole clamps and panel clamps.
- Ensure the setscrews are tight and in place.
- Ensure all Torx Screws are in place and that the bracket is firmly attached to post.
- Inspect the clamps for cracks and sharp edges. Smooth any sharp edges and fix the finish. Replace brackets if cracked.

### **Hardware**

- Inspect for loose or missing hardware. Tighten all loose hardware and replace all missing hardware. Block off access to equipment if necessary.

### **Plastic Components**

- Inspect for any sharp edges or deformities. Minor deformities and sharp edges can be repaired using a utility knife. Block off access until repairs are made. Contact distributor for replacement parts.

### **Welds**

- Inspect all welds for cracks. If a crack is found block access to the playground and contact your distributor for replacement parts immediately.

### **Finish**

- Inspect all metal components for coating damage. If powder coating needs to be repaired sand surface and mask off area. Coat with primer and once the primer has dried paint with color matching touch up paint. Contact distributor of color matching paint. Contact Distributor for Thermoplastic repair kit.

**Surfacing** - Refer to the surfacing maintenance sheet.

### **Slide**

- Refer to “Plastic Components” section.
- Inspect run-out section of the slide for standing water. Adjust the slide by digging up existing footing and install it slightly lower to increase the slope of the slide.

### **Footings**

- Inspect all footings to ensure equipment is secure. You must block access to prevent access until repair is made.

### **Replacement Parts**

- Reference the parts list on page 2 of the instruction set for this component to identify the part/s correctly.
- Contact your distributor to order parts.

