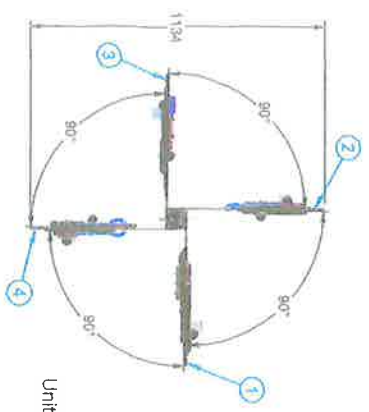
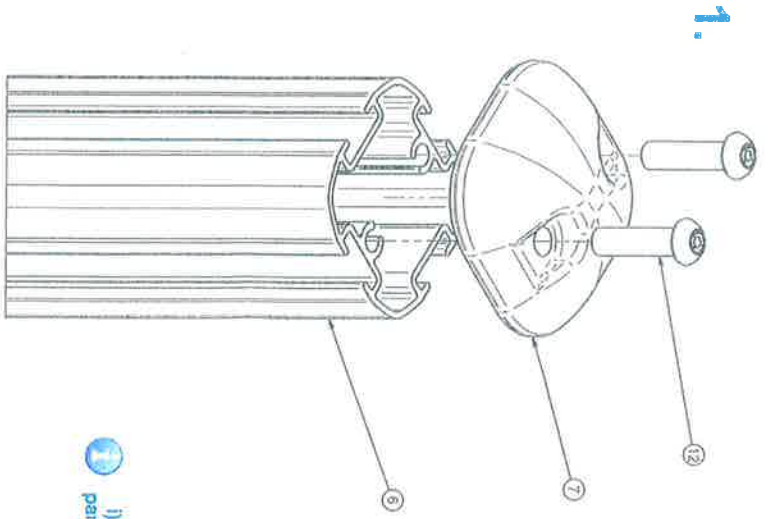
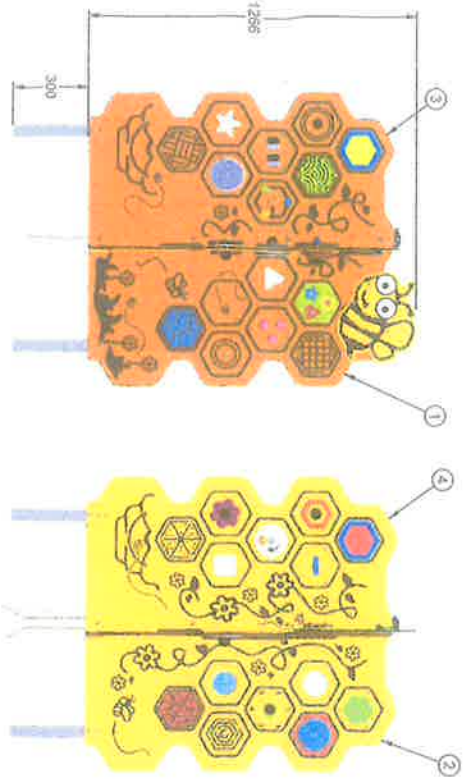


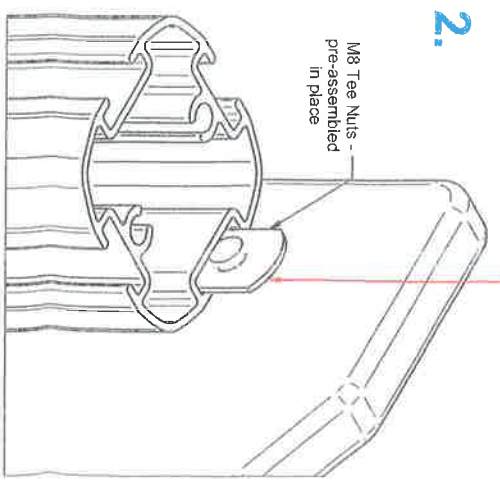
FIASSHI - Sensory Hive Activity Station - Installation Instructions



Unit Weight: Approx 50.5 Kg



1) Remove the loosely secured cap from the pre-assembled post.



ENSURE THIS FIXING IS LOOSE ENOUGH THAT IT CAN BE EASILY SLOTTED DOWN THE POST

1) Slot the panels down the post. Ensuring that the panels are attached to the post in the following order:

1. Sensory Hive Activity Station Side 1 (1)
2. Sensory Hive Activity Station Side 2 (2)
3. Sensory Hive Activity Station Side 3 (3)
4. Sensory Hive Activity Station Side 4 (4)

Parts List

| Item Code | Description | Qty | Item Code | Description | Qty |
|-----------|-------------|-----|-----------|-------------|------------------------------------------------|
| 1 | Bee Side 1 | 1 | 9 | FSU0027-A | M8 x 20mm Button Head Bolt - Security Pin - SS |
| 2 | Bee Side 2 | 1 | 10 | FSU0028-A | M8 x 16mm Female Inhascrew - Security Pin - SS |
| 3 | Bee Side 3 | 1 | 11 | FSU0039-A | M8 Washer - SS (Form B) |
| 4 | Bee Side 4 | 1 | 12 | FSU0044-A | M8 x 30mm Button Head Bolt - Security Pin - SS |
| 5 | FME0091-B | 4 | 13 | FSU1031-A | M8 Tee Nut - JNB042-SS - Incl Lockite |
| 6 | FME0780-A | 1 | 14 | FSU1485-A | M8 x 450mm Threaded Bar - ZP |
| 7 | FPS0700-B | 1 | 15 | FXS0001-A | H5 Hex Security Driver Bit |
| 8 | FPS2016-B | 4 | 16 | FXS0002-A | T40 Torx Security Driver Bit |

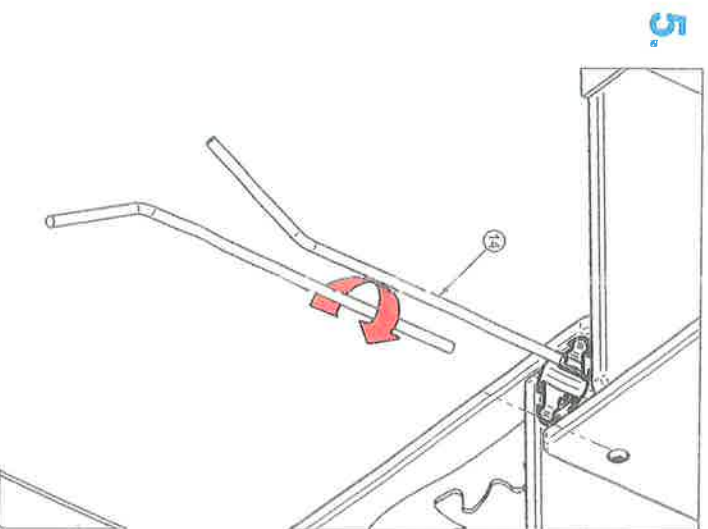
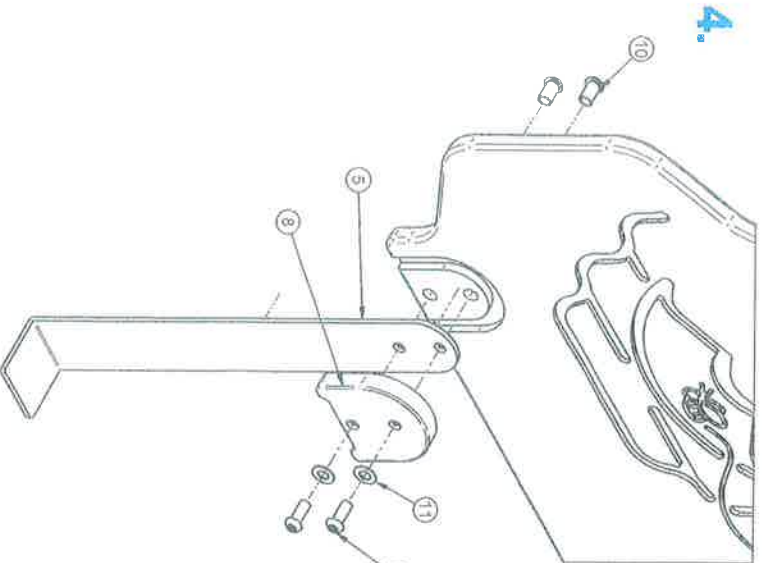
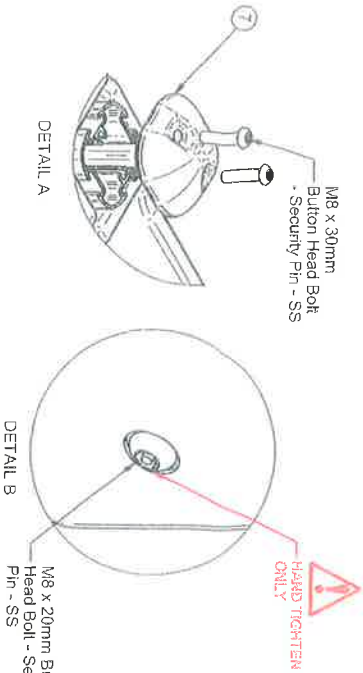
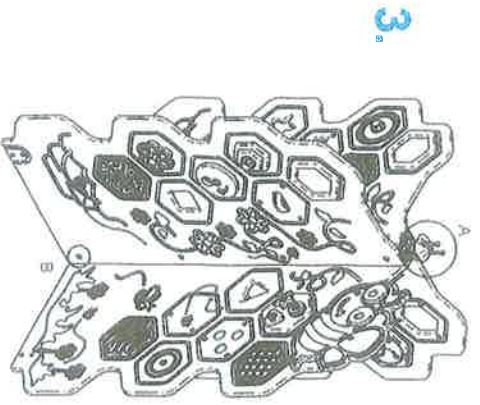
| Modification | Date | Approved |
|--------------|----------|----------|
| New Drawing | 29/04/25 | JS |

Spoilre Road, Old Sarum, Salisbury
 Wiltshire, SP4 6GB, UK
 Tel: +44 (0)1722 349 793
 www.fahr-industries.com



The document, including the copyright therein, is the property of Fahr Industries Ltd and may not be altered for any purpose by reproduction or dissemination in any way partly without our written consent.
 All Dimensions in mm 1 of 3 Not To Scale
 Drawn By: Jindar Smith

FIASSHI - Sensory Hive Activity Station - Installation Instructions



3.

i) Re-secure the Post Cap using the fixings removed in STEP 1 as shown in DETAIL A on all Panels.

ii) Tighten the fixings shown in DETAIL B

4.

i) Secure the Brackets and Fascias to the x4 Panels using the fixing shown

5.

i) Twist Angled Threaded Bars into the bottom of the post until secured 75mm inside the post

Parts List

| Item | Code | Description | Qty |
|------|------------|--------------------------------------|-----|
| 1 | Bae Side 1 | Sensory Hive Activity Station Side 1 | 1 |
| 2 | Bae Side 2 | Sensory Hive Activity Station Side 2 | 1 |
| 3 | Bae Side 3 | Sensory Hive Activity Station Side 3 | 1 |
| 4 | Bae Side 4 | Sensory Hive Activity Station Side 4 | 1 |
| 5 | FME0091-B | Furniture Bracket - In Ground | 4 |
| 6 | FME0780-A | Extended Alu Post - 60x60mm - 1185mm | 1 |
| 7 | FSS0700-B | Mini Alu Post Cap | 1 |
| 8 | FPS2016-B | Surface Bracket Fascia | 4 |

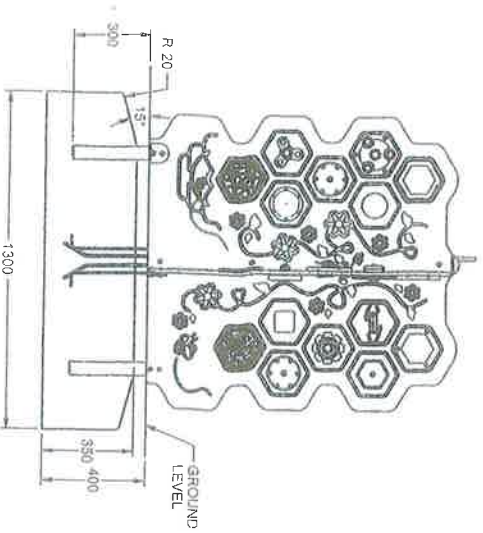
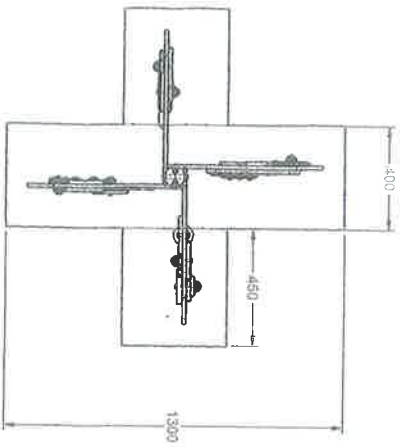
| Item | Code | Description | Qty |
|------|-----------|-------------------------------------------------|-----|
| 9 | FSU0027-A | M8 x 20mm Button Head Bolt - Security Pin - SS | 8 |
| 10 | FSU0028-A | M8 x 19mm Female Inlarscrew - Security Pin - SS | 8 |
| 11 | FSU0039-A | M8 Washer - SS (Form B) | 8 |
| 12 | FSU0044-A | M8 x 30mm Button Head Bolt - Security Pin - SS | 2 |
| 13 | FSU1031-A | M8 Tee Nut - JINB042-SS - Incl. Lockle | 16 |
| 14 | FSU1485-A | M8 x 450mm Threaded Bar - ZP | 2 |
| 15 | FSX0001-A | H5 Hex Security Driver Bit | 1 |
| 16 | FSX0002-A | T40 Torx Security Driver Bit | 1 |

| Modification | Date | Approved |
|------------------------------------------------------------------------------------------------------------------------------------------------------------------------------------------------------|-------------------------------------|---------------------|
| New Drawing | 29/04/25 | JS |
| <p>Spiffire Road, Oxt, Sarum, Salisbury Wiltshire, SP2 6GS, UK Tel: +44 (0)1722 349 193 www.fahr-ind.com</p> | | |
| <p>The document, including the copyright therein, is the property of Fahr Industrial Ltd and may not be used or reproduced in any form without the prior written consent of Fahr Industrial Ltd.</p> | | |
| <p>Drawn By: Jack Smith</p> | <p>All Dimensions in mm: 2 of 3</p> | <p>Not To Scale</p> |



FIASSHI - Sensory Hive Activity Station - Installation Instructions

Falling Space: 12.5 sqm



Maintenance Inspection

| FREQUENCY | WHAT TO DO |
|-------------------------------------------|--------------------------------------------------------------------------------------------------------------------------------------------------------------------------------------------------------------------------------------------------------------------------------------------------------------------------------------------------------------------------------------------------------------------------------------------------------------------------------------------------------------------------------------------------------------------|
| VISUAL INSPECTION (EVERY MONTH) | Identify any risks stemming from vandalism, intensive use or unusual weather Check for missing or broken parts Make sure that all protective covers are in place Inspect surfacing below and around equipment |
| FUNCTIONALITY INSPECTION (EVERY MONTH) | Check that the equipment, or the part concerned is operating correctly Check all hinges, joints and stability of the equipment and tighten or replace if necessary Check all parts for wear and tear and replace if necessary Thorough cleaning of equipment and any stainless steel parts with water and detergent All of the above plus: Inspect the anchoring system Inspect any moving, mechanical and electrical parts are operating correctly Check overall condition of any paintwork or galvanizing – repaint / touch up if necessary |
| COMPREHENSIVE INSPECTION (EVERY 6 MONTHS) | |

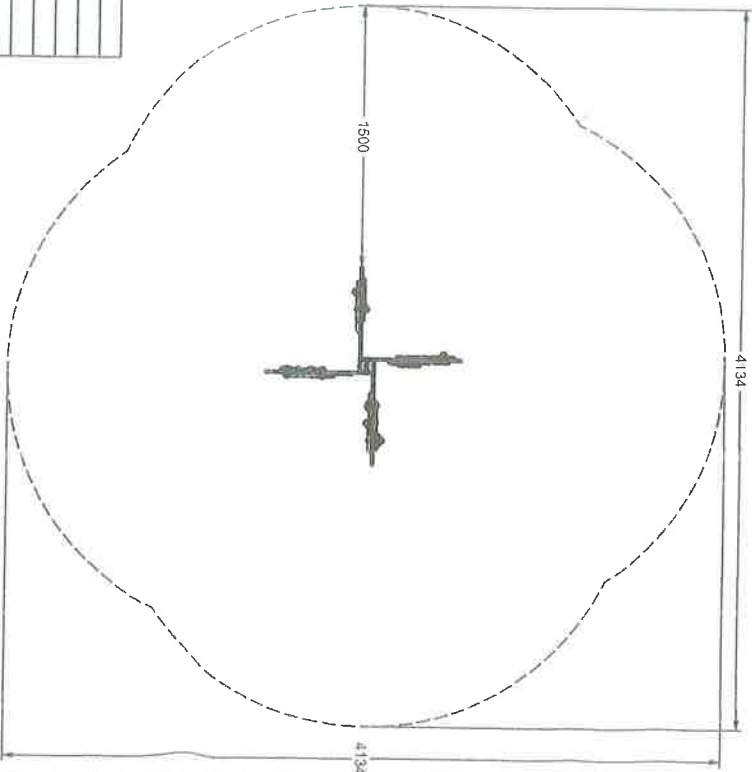
i) Excavate footings to the dimensions shown above

ii) Pour concrete into footing and allow to set

Parts List

| Item | Code | Description | Qty |
|------|------------|--------------------------------------|-----|
| 1 | Bae Side 1 | Sensory Hive Activity Station Side 1 | 1 |
| 2 | Bae Side 2 | Sensory Hive Activity Station Side 2 | 1 |
| 3 | Bae Side 3 | Sensory Hive Activity Station Side 3 | 1 |
| 4 | Bae Side 4 | Sensory Hive Activity Station Side 4 | 1 |
| 5 | FME0091-B | Furniture Bracket - In Ground | 4 |
| 6 | FME0780-A | Extruded Alu Post - 60x60mm - 1185mm | 1 |
| 7 | PPS0700-B | Mini Alu Post Cap | 1 |
| 8 | FSS2016-B | Surface Bracket/Pasca | 4 |

| Item | Code | Description | Qty |
|------|-----------|---------------------------------------------------|-----|
| 9 | FSU0027-A | M8 x 20mm Button Head Bolt - Security Pin - SS | 8 |
| 10 | FSU0028-A | M8 x 16mm Female Inlarscrew - Security Pin - SS - | 8 |
| 11 | FSU0039-A | M8 Washer - SS (Form B) | 8 |
| 12 | FSU0044-A | M8 x 30mm Button Head Bolt - Security Pin - SS | 2 |
| 13 | FSU1031-A | M8 Tee Nut - JINB042-SS - Incl. Lockie | 16 |
| 14 | FSU1485-A | M8 x 450mm Threaded Bar - ZP | 2 |
| 15 | FXS0001-A | H8 Hex Security Driver Bit | 1 |
| 16 | FXS0002-A | T40 Torx Security Driver Bit | 1 |



| | | | |
|--------------------------------------------------------------------------------------------------------------------------------------------------------------------------------------------|--|---------------------|----------|
| Modification | | Date | Approved |
| New Drawing | | 29/04/25 | JS |
| Spirene Road, Old Sarum, Salisbury Wiltshire, SP2 6GB, UK Tel: +44 (0)1722 349 793 www.fahr-india.sfrts.com | | | |
| | | | |
| This document, including its copyright, remains the property of Fahr Products. It may not be used for any purpose or reproduced, or transmitted in any form without prior written consent. | | | |
| Drawn By: Jack Smith | | 3 of 3 Not To Scale | |