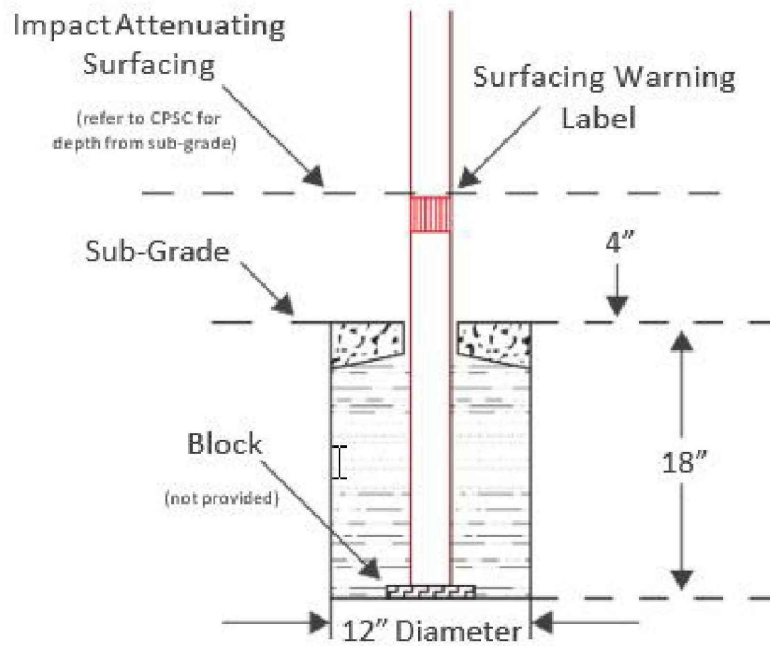




WISDOM PLAYGROUND

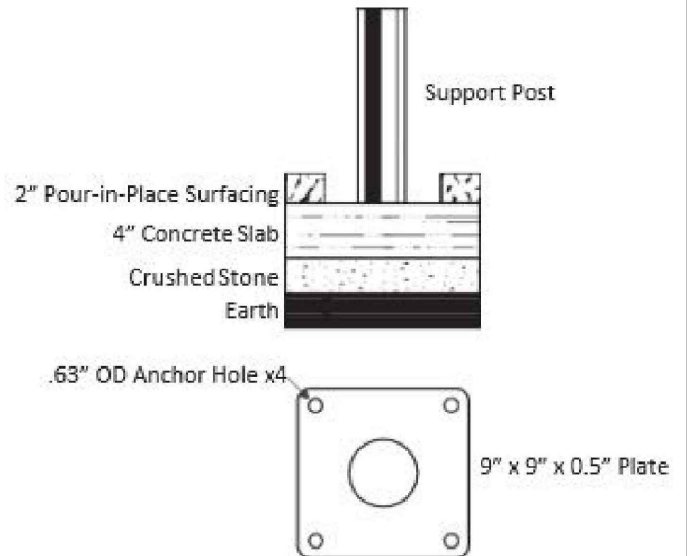
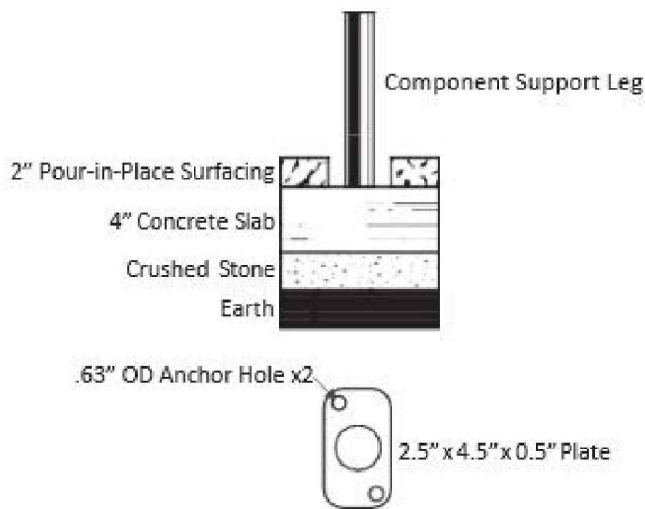
CUSTOMER'S GUIDE



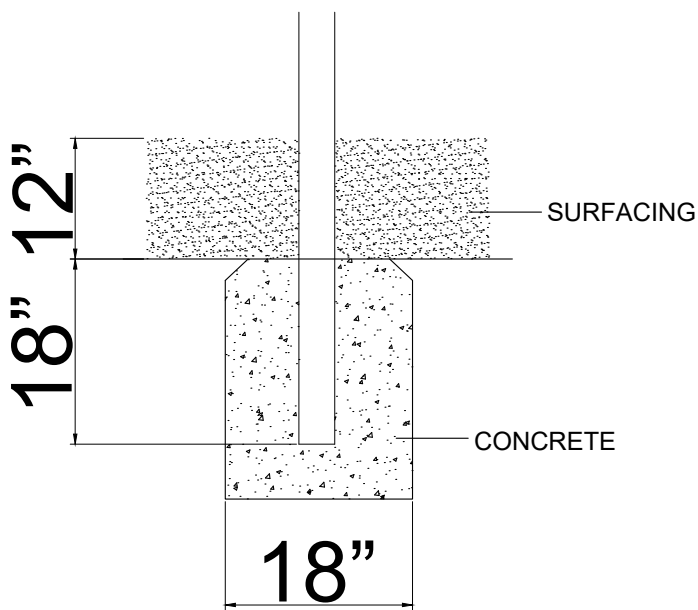
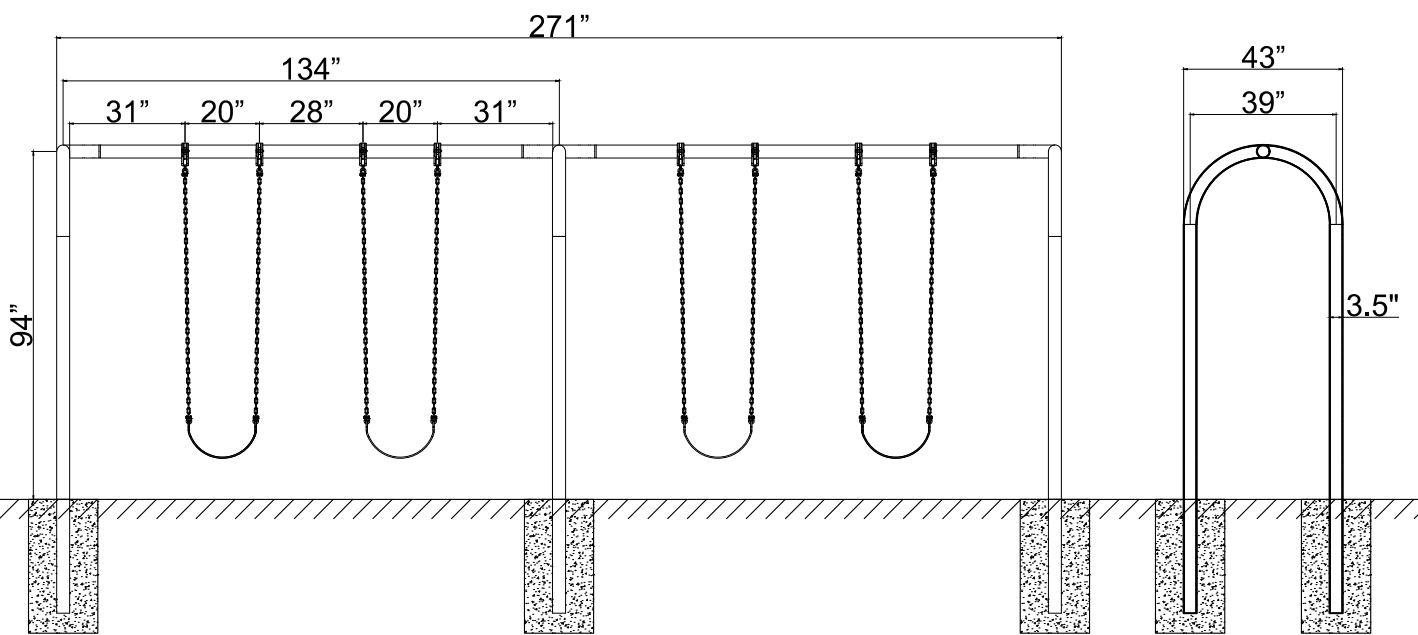
Inground Mount Option

Component Support Leg Detail

Support Post Detail



Surface Mount Option



POST IN GROUND MOUNTING

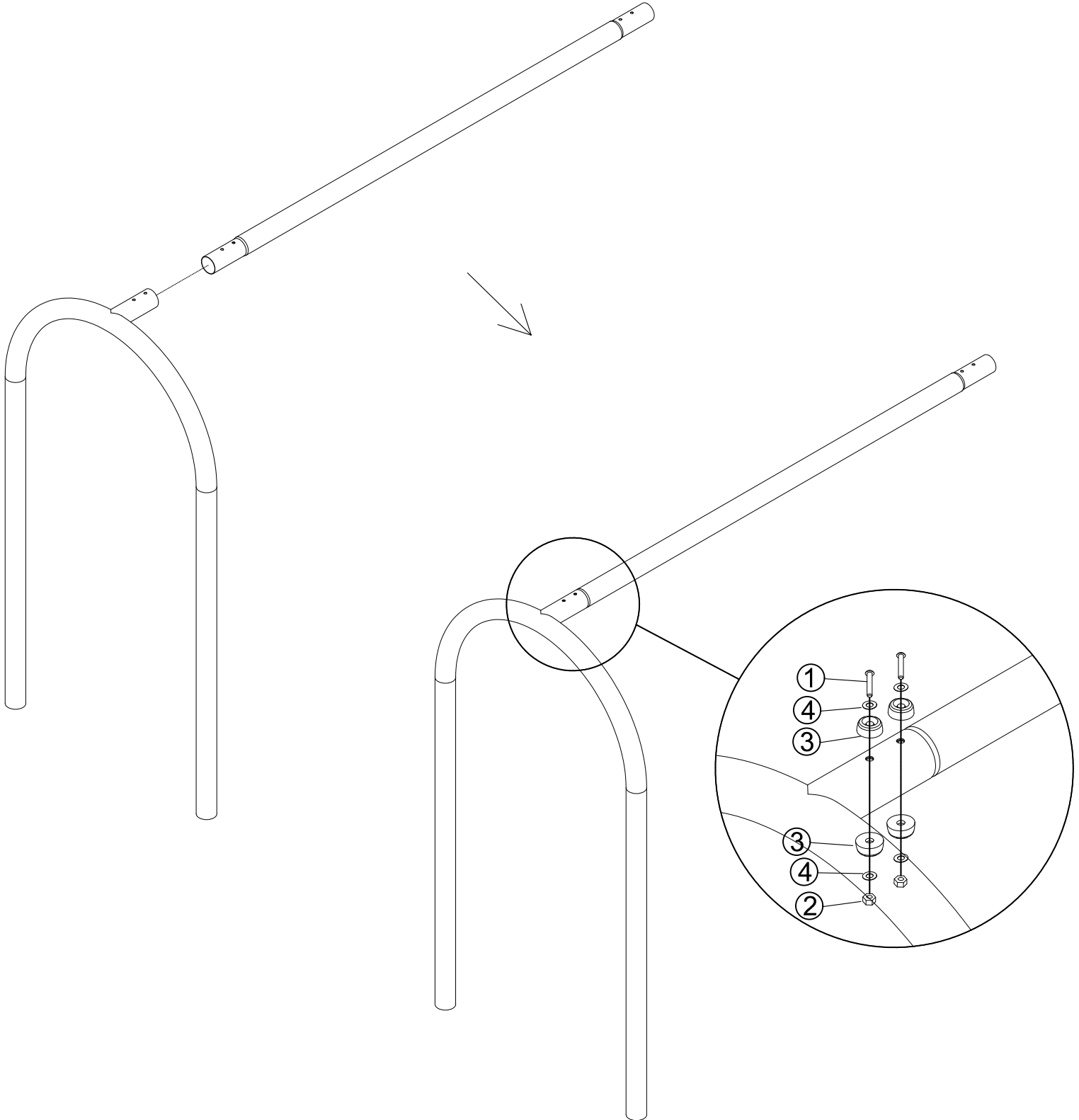
Installation steps:

1:Align the corresponding holes on Arch Swing Frame Beam with Arch Swing Frame End Post

2:Insert corresponding hardware and tighten.

Arch Swing Frame End Post

Number	Name	Model	Quantity
1	TAMPER RESISTANT TORX-BOLT	M10*105	2
2	LOCK NUT	M10	2
3	PLASTIC CAP	φ34 M10	4
4	FLAT WASHER	10.5/25*T1.5	4



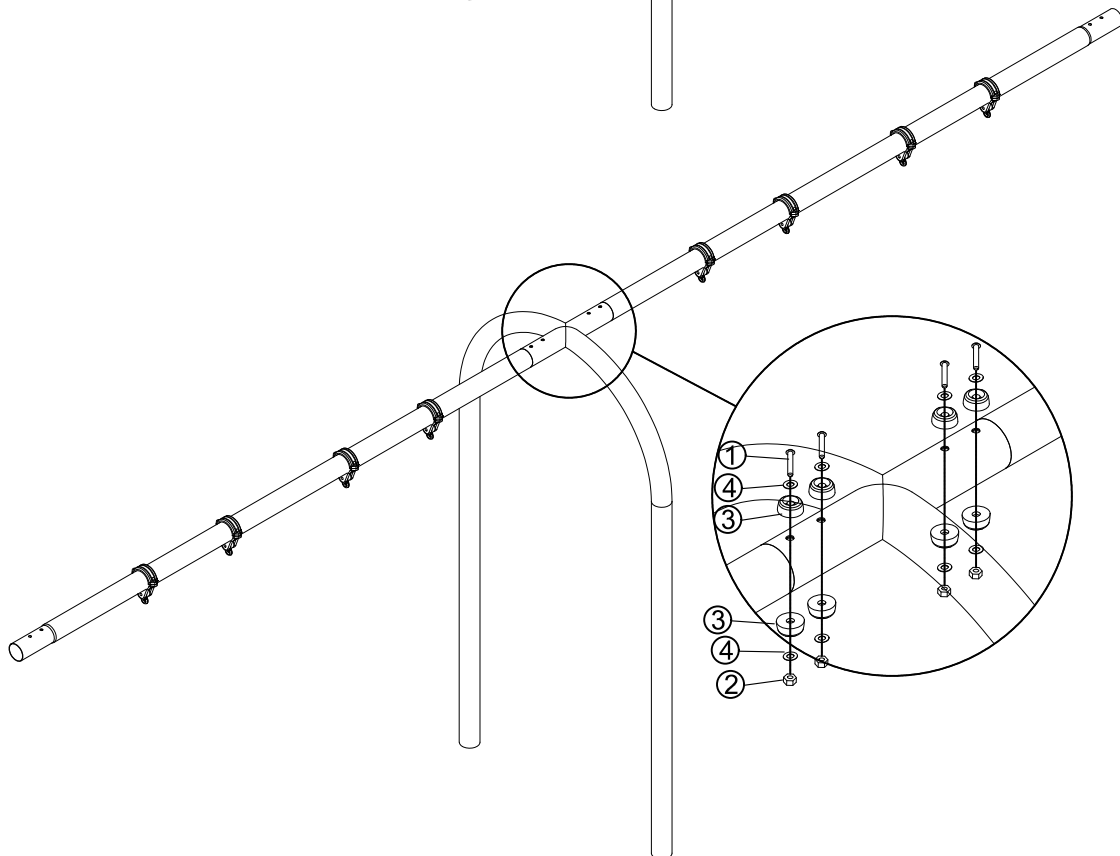
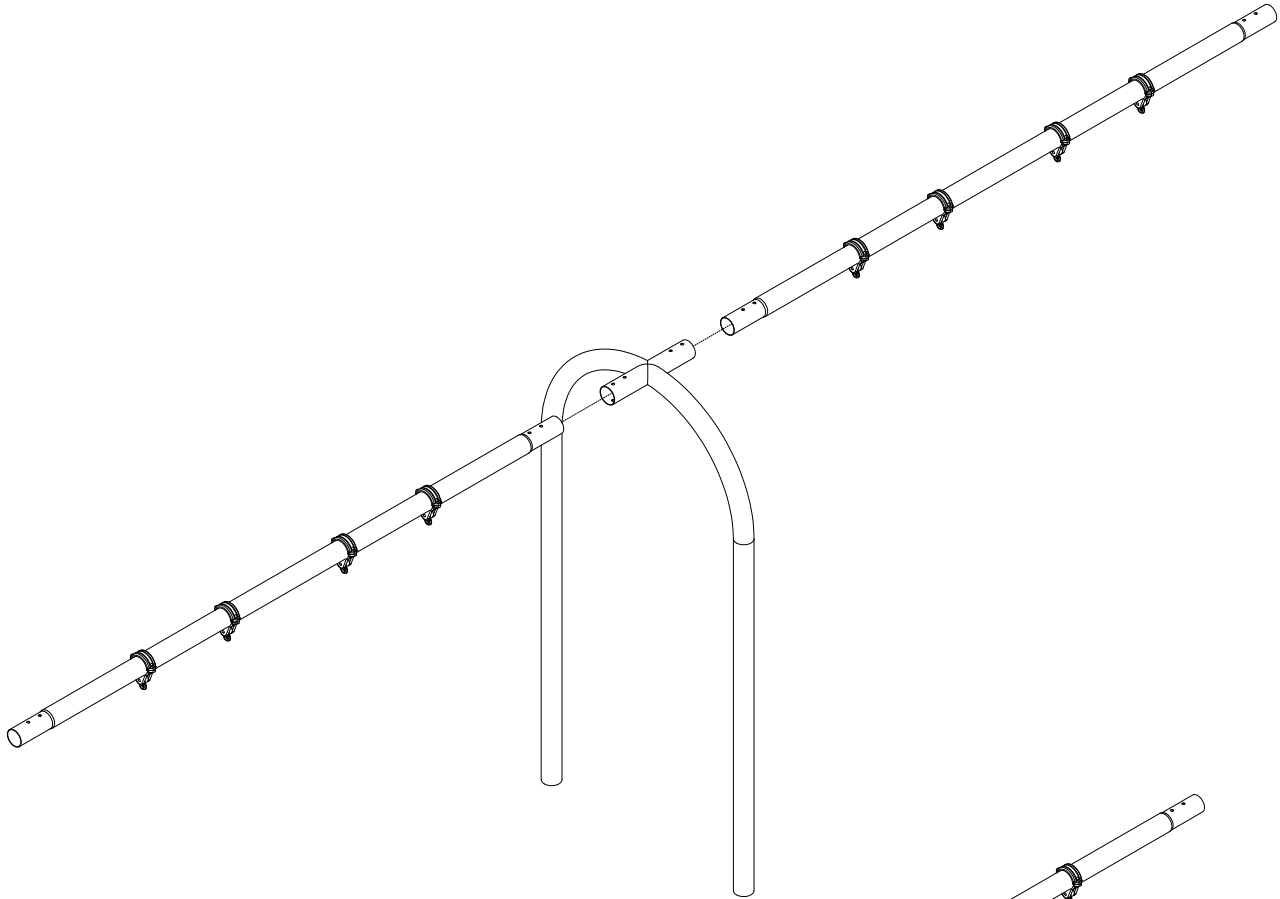
Installation steps:

1:Align the corresponding holes on Arch Swing Frame Beam with Arch Swing Frame Center Post.

2:Insert corresponding hardware and tighten.

Arch Swing Frame Center Post

Number	Name	Model	Quantity
1	TAMPER RESISTANT TORX-BOLT	M10*105	4
2	LOCK NUT	M10	4
3	PLASTIC CAP	φ34 M10	8
4	FLAT WASHER	10.5/25*T1.5	8



Installation steps:

1: Use 2 x Single Clevis Connector to connect Swing Clamp with Galvanized Chain, as shown on the overhead drawing.

2: Use 1 x Single Clevis Connector to connect Swing Seat with Galvanized Chain, as shown on the overhead drawing.

Full Bucket Seat

Number	Name	Model	Quantity

