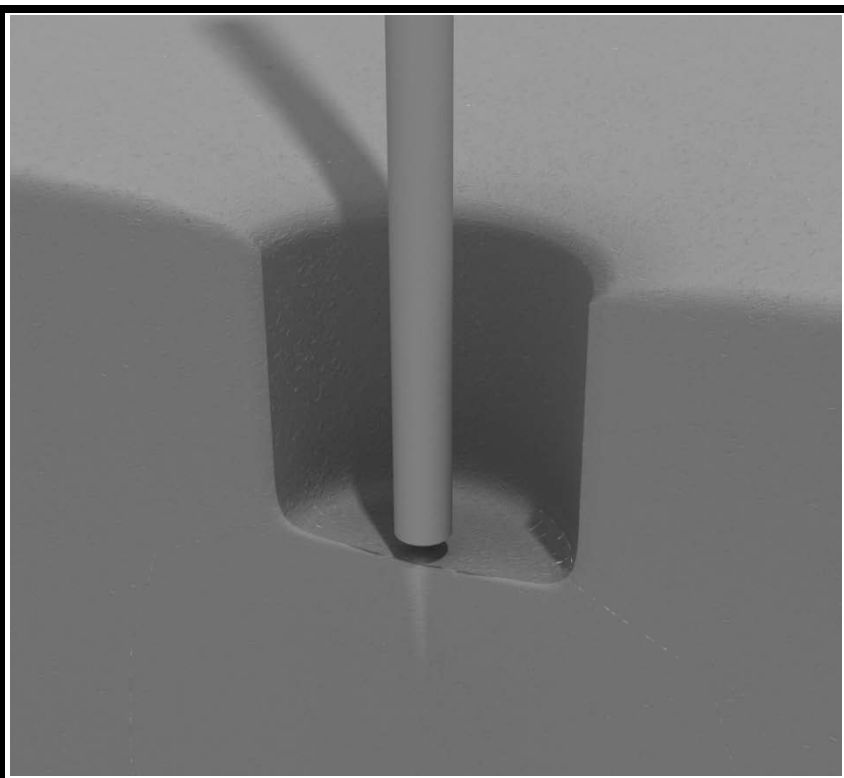


**DO NOT CEMENT POSTS INTO PLACE  
UNTIL THE ENTIRE STRUCTURE IS  
ASSEMBLED.**

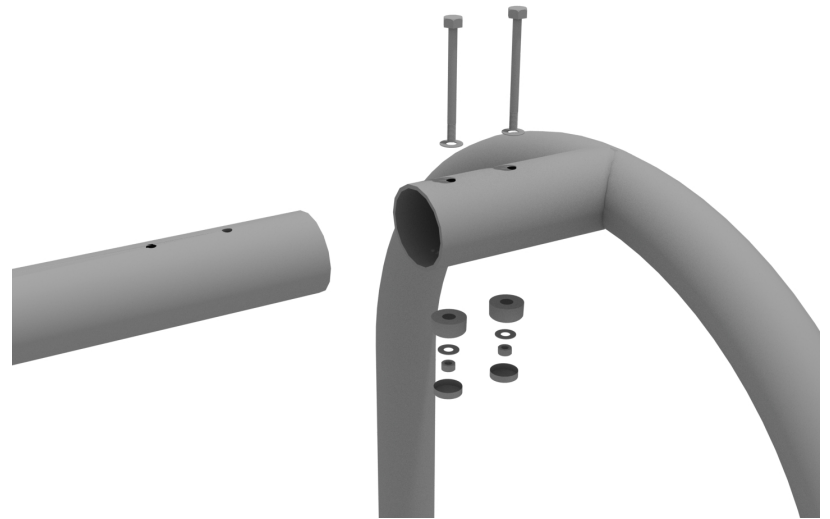
Refer to the General Installation  
guide footing information and dig  
proper holes for the support posts.



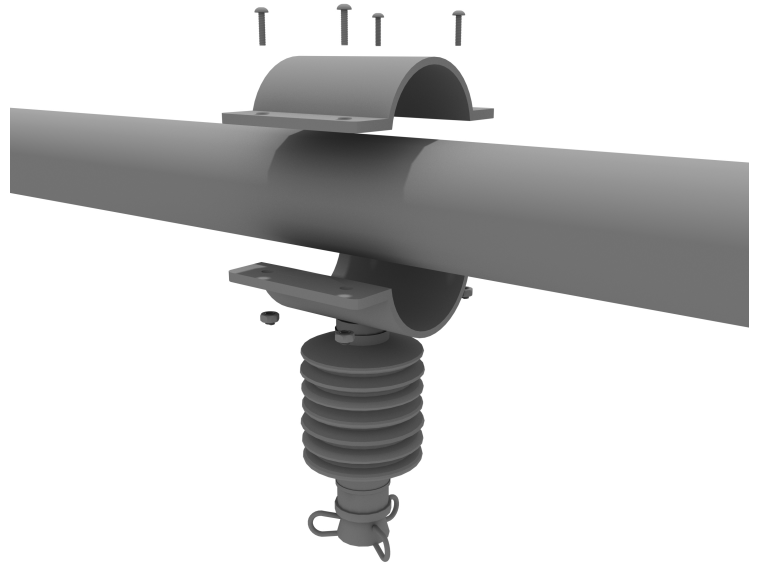
# Elite Arch Post Tire Swing Install

For easy installation it is recommended to assemble swing frame and lower onto footers. Once frame is assembled and leveled with hardware installed on top rail, cement into place. Follow guidelines from Concrete manufacturer for amount / time of curing, etc. It is also recommended the use of ratchet straps along with stakes / anchor spike to stabilize frame while cement cures.

Using two (2) 4-5/8" hex bolts, four (4) washers, two (2) lock nuts and 2 bolt covers with cap. Attach top rail to Arch Post End.



Loosen and attach tire swing pendulum on to center of top rail.



Loosen hardware on single clevis and attach chain with clevis to pendulum. Re-tighten clevis hardware.



# Elite Arch Post Tire Swing Install

Loosen clevis hardware and attach tire seat. Re-tighten double clevis hardware.

