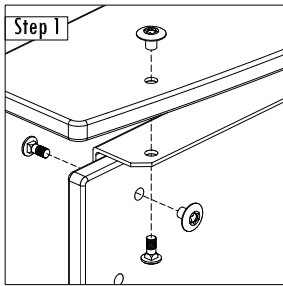
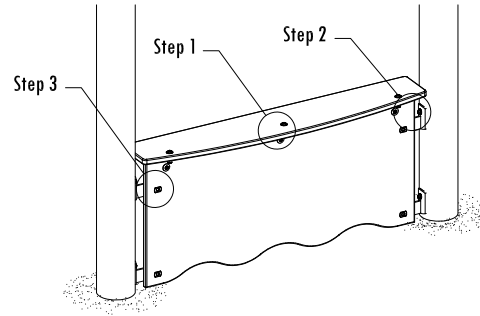


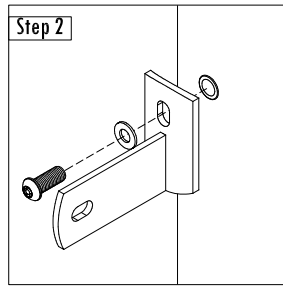
Parts List

- 4 BRK004000 Sheet Plastic Bracket
- 1 SHP00700 PlayCounter Panel
- 1 SHP01300 PlayCounter Top
- 1 PlayCounter Bracket

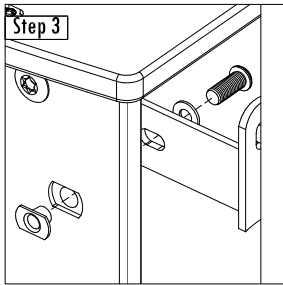
- 6 1C-0503 - Carriage Bolt 5/16" x 3/4"
- 8 2T-0604 - Button Cap Torx w/ Pin 3/8" x 1"
- 6 4C-0500 - Camtainer Nut 5/16"
- 4 4D-0600 - T Nut 3/8" x 3/4"
- 8 5F-0500 - Flat Washer 5/16" S/S w/ 3/8" Hole



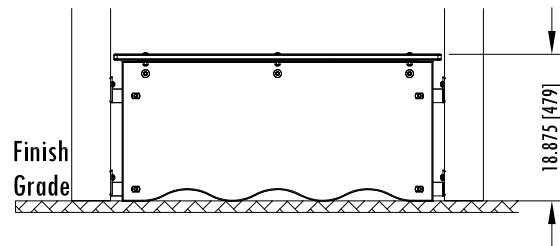
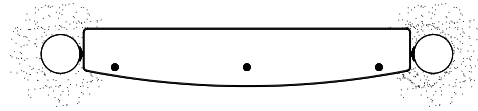
3/4" Carriage Bolt, Camtainer Nut (x6)



1" Button Cap, Flat Washer (x4)



1" Button Cap, Flat Washer, T Nut (x4)



This Instruction Applies To The Following Modules :

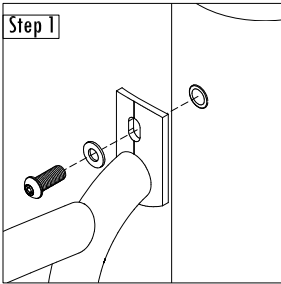
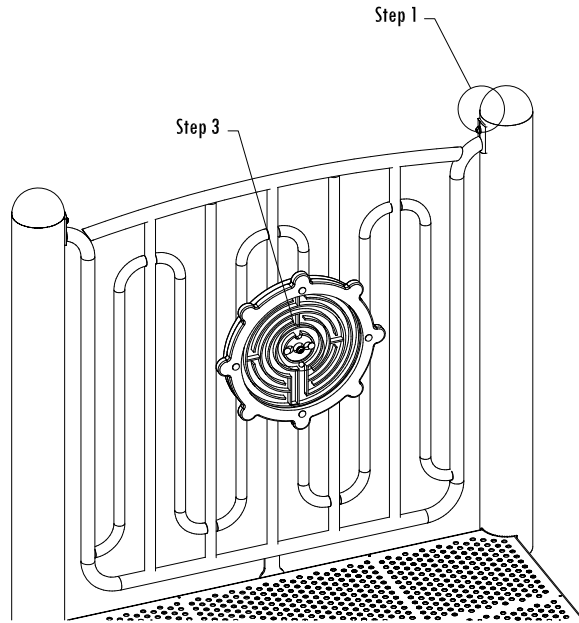
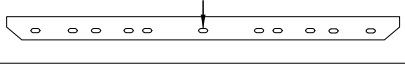
- AP032 Steering Wheel Panel
- AP065 PlayShip Helm Panel
- AP144 Maze Wheel on Vertical Rail Panel
- AP162 Balance Ball Game on Vertical Rail Panel

Parts List

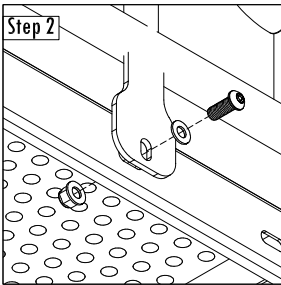
- 1 BPN00100 Vertical Rail
- 1 Wheel or Game
- 1 Universal Wheel Parts

- 3 2T-0604 - Button Cap Torx w/ Pin 3/8" x 1"
- 1 2T-0614 - Button Cap Torx w/ Pin 3/8" x 2-1/2"
- 1 4N-0600 - Locking Flange Nut 3/8"
- 1 4L-0600 - Lock Nut w/ Nylon Locking 3/8"
- 4 5F-0500 - Flat Washer 5/16" S/S w/ 3/8" Hole

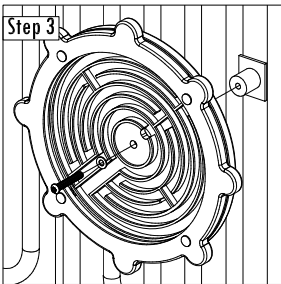
DECK HOLES USED



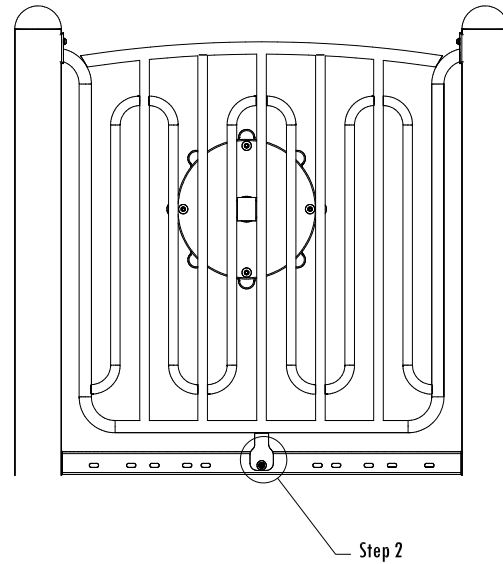
1" Button Cap, Flat Washer (x2)



1" Button Cap, Flat Washer, Locking Flange Nut (x2)



2-1/2" Button Cap, Flat Washer (x1)



PLAYSTEEL SQ N/A	PLAYSTEEL MAX B5-AP032-03 B5-AP065-03 B5-AP144-03 B5-AP162-02	PLAYSTEEL FIT B3-AP032-05 B4-AP032-03 B3-AP065-04 B4-AP065-03 B3-AP144-05 B4-AP144-03 B3-AP162-02 B4-AP162-02	ORBIS N/A	PLAYTOTS N/A	PAGE 1 OF 1
---------------------	---	---	--------------	-----------------	-------------

This Instruction Applies To The Following Modules :

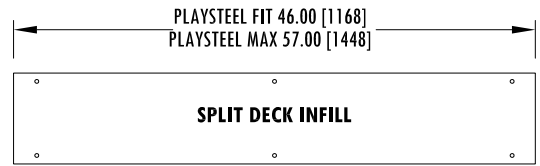
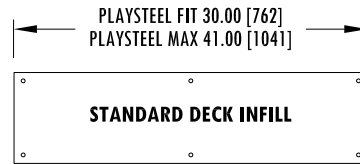
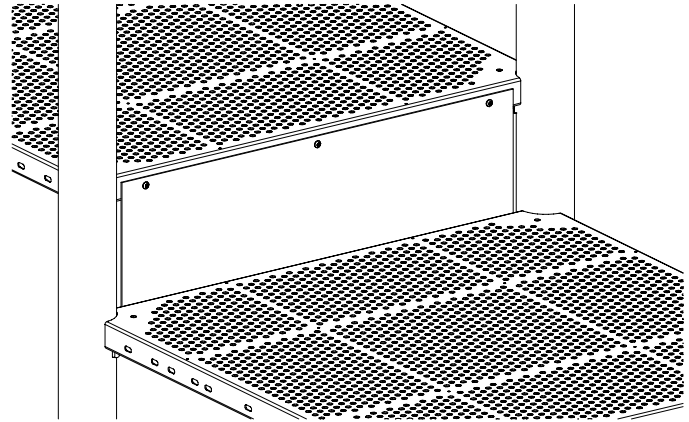
IN001	Infill Panel 6"	IN011	Infill Panel 8"
IN002	Infill Panel 12"	IN012	Infill Panel 8" - Split Deck
IN004	Infill Panel 24"	IN013	Infill Panel 48"
IN006	Infill Panel 36"	IN014	Infill Panel 16"
IN008	Infill Panel 12" - Split Deck	IN015	Infill Panel 6" - Split Deck

Parts List

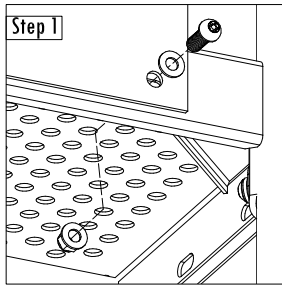
- 1 Steel Infill Panel
- 6 2T-0604 - Button Cap Torx w/ Pin 3/8" x 1"
- 6 4N-0600 - Locking Flange Nut 3/8"
- 6 5F-0500 - Flat Washer 5/16" S/S w/ 3/8" Hole

Installation Notes

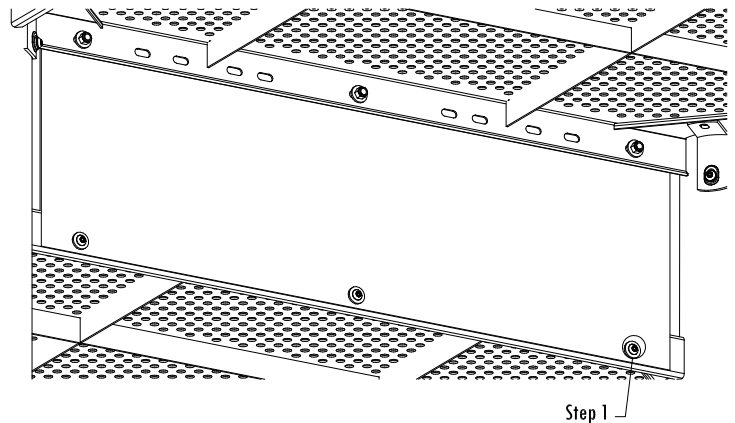
6", 8", 12", 16", 24", 36", and 48" infills are to be installed between decks with a 6", 8", 12", 16", 24", 36" and 48" height difference, respectively.
 Infill Panels come in 2 different widths depending on deck configurations. See Diagram to the right for proper configuration sizes.



DECK HOLES USED



1" Button Cap Torx, Flat Washer, Locking Flange Nut (x6)



OFFICE USE ONLY

PLAYSTEEL SQ N/A	PLAYSTEEL MAX B5-IN001-01 B5-IN002-01 B5-IN004-01 B5-IN006-01 B5-IN008-01 B5-IN011-01 B5-IN012-00 B5-IN013-01	B5-IN014-01 B5-IN015-01	PLAYSTEEL FIT B3-IN001-01 B3-IN002-01 B3-IN004-01 B3-IN006-01 B3-IN008-01 B3-IN011-01 B3-IN012-00 B3-IN013-01	B3-IN014-01 B3-IN015-01 B4-IN002-01	ORBIS N/A	PLAYTOTS N/A	PAGE 1 OF 1
---------------------	---	----------------------------	---	---	--------------	-----------------	-------------

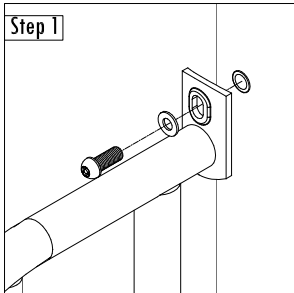
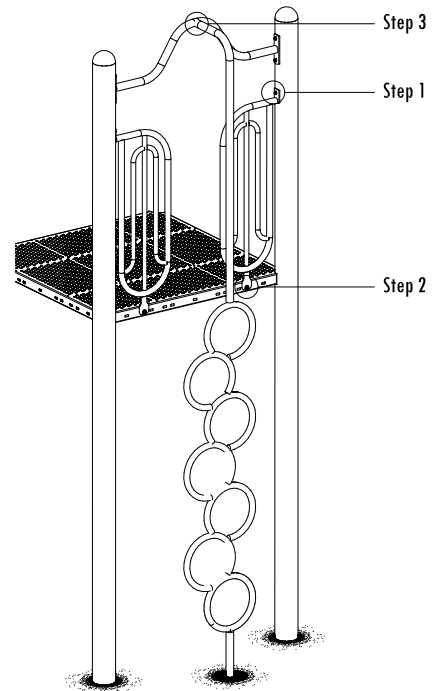
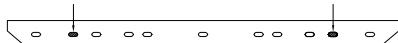
This Instruction Applies To The Following Modules :

- CB443 Ring Climber 3'
- CB444 Ring Climber 4'
- CB445 Ring Climber 5'
- CB446 Ring Climber 6'
- CB447 Ring Climber 7'
- CB448 Ring Climber 8'

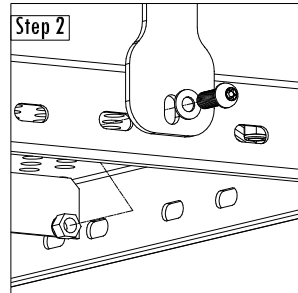
Parts List

- 1 Ring Climber
 - 1 Pole Connector
 - 2 Safety Railing
-
- 8 2T-0604 - Button Cap Torx w/ Pin 3/8" x 1"
 - 1 2T-0610 - Button Cap Torx w/ Pin 3/8" x 2-1/2"
 - 2 4L-0600 - Lock Nut w/ Nylon Locking 3/8"
 - 11 5F-0500 - Flat Washer 5/16" S/S w/ 3/8" Hole

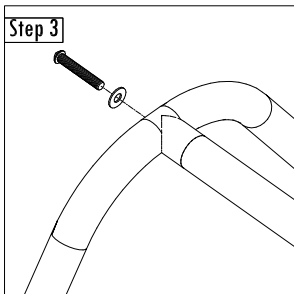
DECK HOLES USED



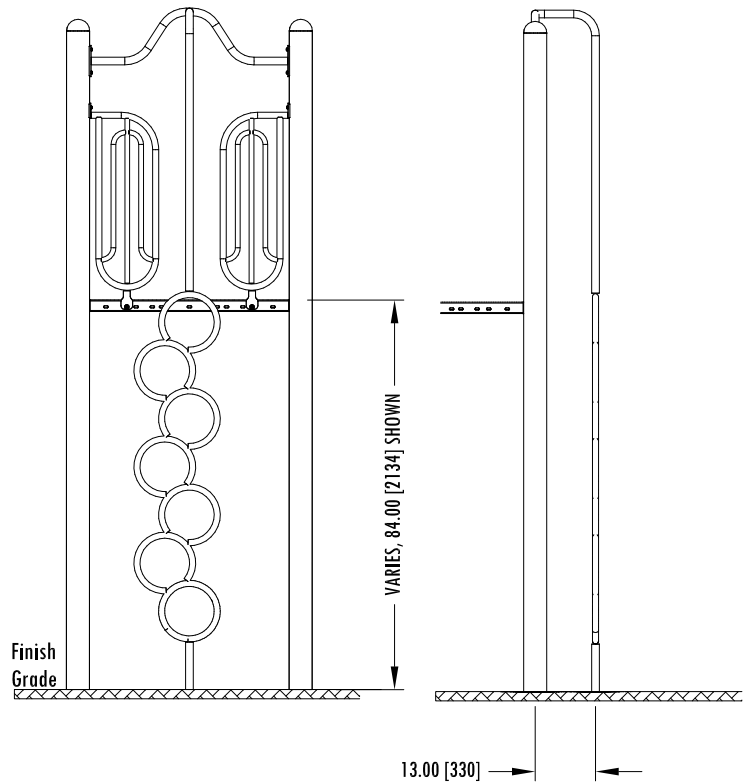
1" Button Cap Torx, Flat Washer (x6)



1" Button Cap Torx, Flat Washer, Lock Nut (x2)



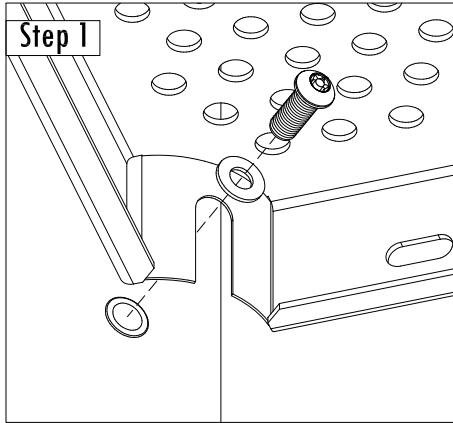
2-1/2" Button Cap Torx, Flat Washer (x1)



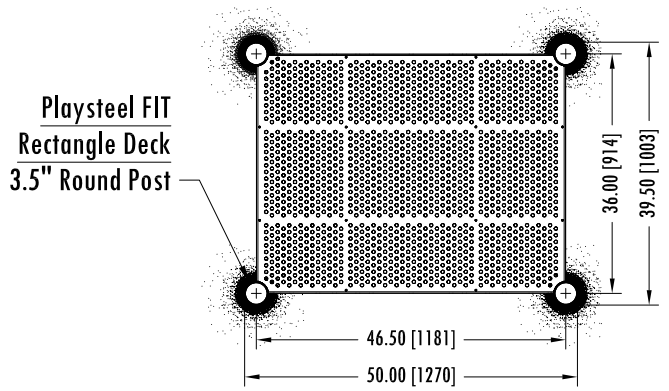
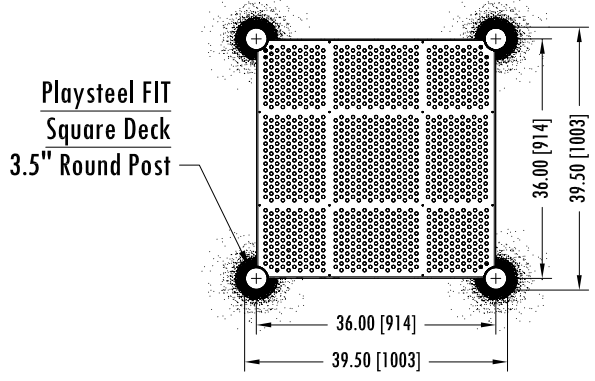
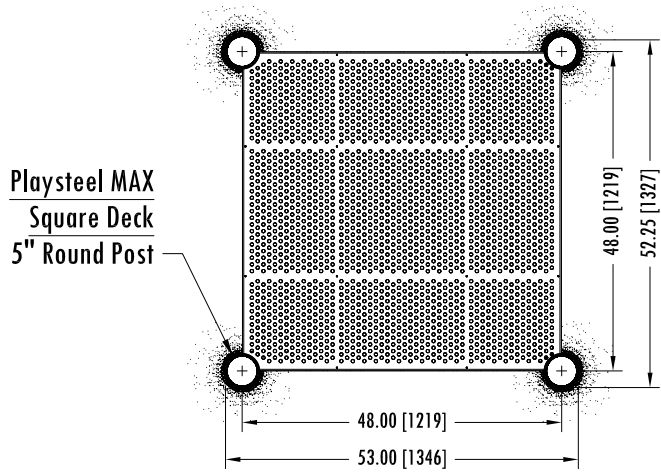
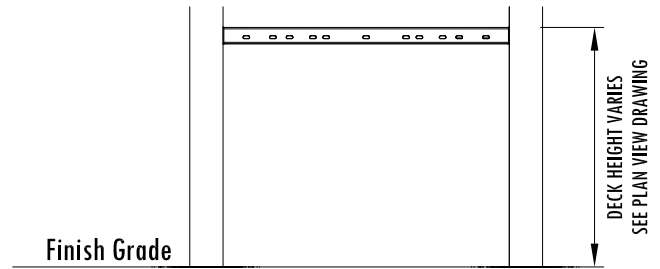
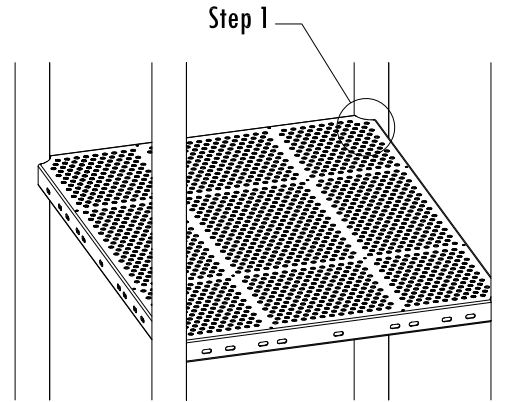
PLAYSTEEL SQ N/A	PLAYSTEEL MAX B5-CB443-01 B5-CB444-01 B5-CB445-01 B5-CB446-01 B5-CB447-01 B5-CB448-01	PLAYSTEEL FIT B3-CB443-01 B3-CB444-01 B3-CB445-01 B3-CB446-01 B3-CB447-01 B3-CB448-01	B4-CB443-01 B4-CB444-01 B4-CB445-01 B4-CB446-01 B4-CB447-01 B4-CB448-01	ORBIS N/A	PLAYTOTS N/A	PAGE 1 OF 1
---------------------	---	---	--	--------------	-----------------	-------------

Parts List

1		Deck
4	2T-0604	Button Cap Torx w/ Pin 3/8" x 1"
4	5F-0500	Flat Washer 5/16" S/S w/ 3/8" Hole



1" Button Cap, Flat Washer (x4)



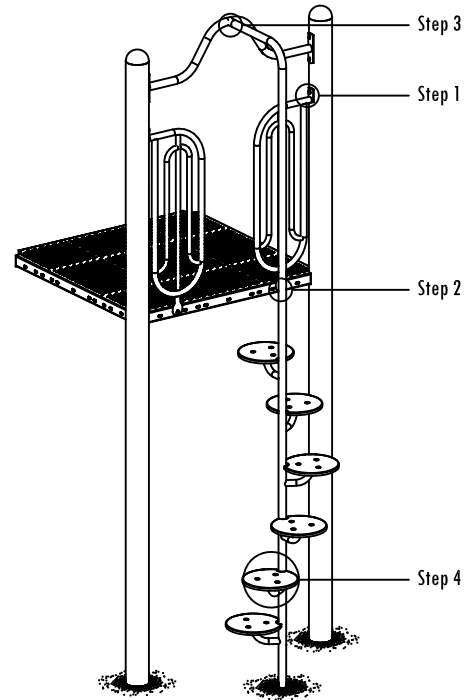
This Instruction Applies To The Following Modules :

- CB313 Space Walk 3'
- CB314 Space Walk 4'
- CB315 Space Walk 5'
- CB316 Space Walk 6'
- CB317 Space Walk 7'

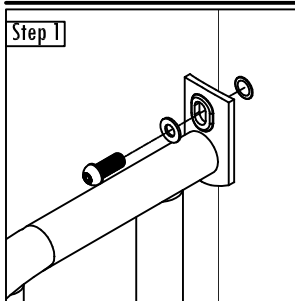
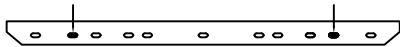
Parts List

- 1 Space Walk
- 2-6 Space Walk Step
- 1 Pole Connector
- 2 Safety Railing

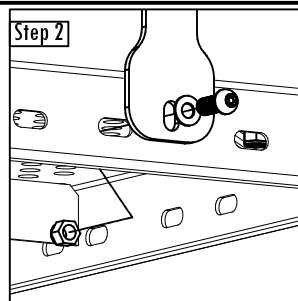
- 8 2T-0604 - Button Cap Torx w/ Pin 3/8" x 1"
- 6-18 2T-0604 - Button Cap Torx w/ Pin 3/8" x 1-1/2"
- 1 2T-0610 - Button Cap Torx w/ Pin 3/8" x 2-1/2"
- 8-20 4L-0600 - Lock Nut w/ Nylon Locking 3/8"
- 23-47 5F-0500 - Flat Washer 5/16" S/S w/ 3/8" Hole



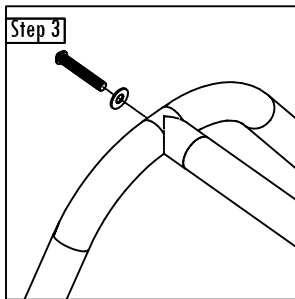
DECK HOLES USED



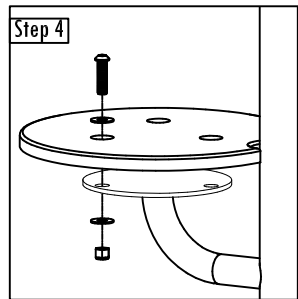
1" Button Cap Torx, Flat Washer (x6)



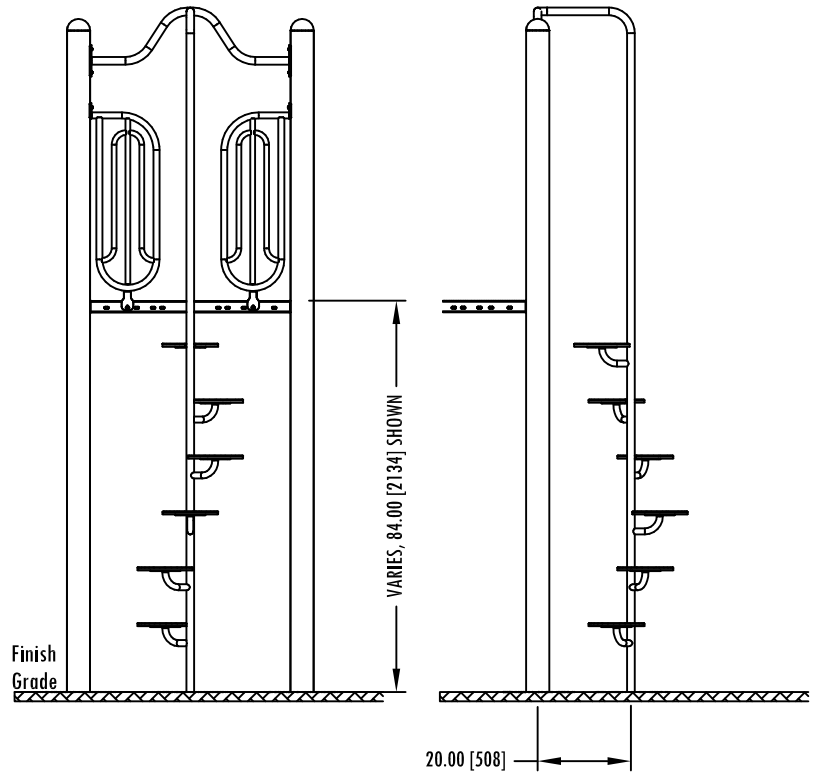
1" Button Cap Torx, Flat Washer, Lock Nut (x2)



2-1/2" Button Cap Torx, Flat Washer (x1)



1-1/2" Button Cap Torx, Flat Washer, Lock Nut (x2)



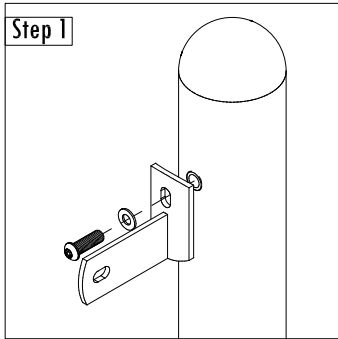
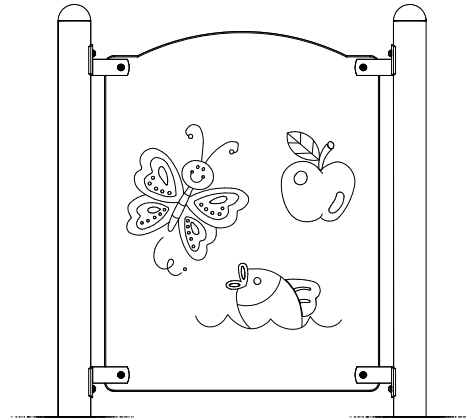
OFFICE USE ONLY

11/12/2018

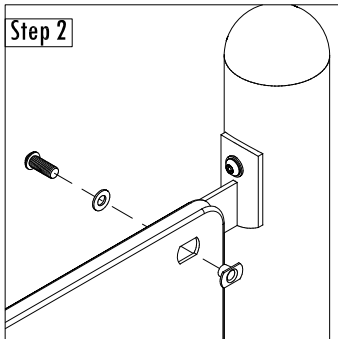
PLAYSTEEL SQ N/A	PLAYSTEEL MAX B5-CB313-01 B5-CB314-01 B5-CB315-01 B5-CB316-01 B5-CB317-01	PLAYSTEEL FIT B3-CB313-01 B3-CB314-01 B3-CB315-01 B3-CB316-01 B3-CB317-01	B4-CB313-01 B4-CB314-01 B4-CB315-01 B4-CB316-01 B4-CB317-01	ORBIS N/A	PLAYTOTS N/A	PAGE 1 OF 1
---------------------	--	--	---	--------------	-----------------	-------------

Parts List

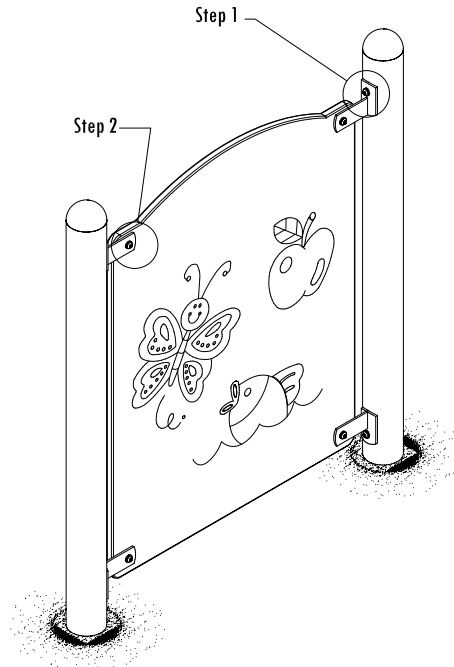
- 1 Sheet Plastic Panel
- 4 BRK00400 Sheet Plastic Bracket
- 8 2T-0604 - Button Cap Torx w/ Pin 3/8" x 1"
- 4 4D-0600 - T Nut 3/8"
- 8 5F-0500 - Flat Washer 5/16" S/S w/ 3/8" Hole



1" Button Cap, Flat Washer (x4)



1" Button Cap, Flat Washer, T Nut (x4)



OFFICE USE ONLY

12/20/2012

PLAYSTEEL FIT:

B3 MODULES	B3-AP002-01	B3-AP017-01	B3-AP036-01	B3-AP067-01	B3-AP084-01	B3-AP111-01	B3-AP129-02	B3-AP150-00	B3-AP157-00
	B3-AP004-01	B3-AP019-01	B3-AP037-01	B3-AP068-01	B3-AP086-01	B3-AP114-01	B3-AP130-02	B3-AP151-00	B3-AP163-00
	B3-AP006-01	B3-AP021-01	B3-AP058-01	B3-AP069-01	B3-AP093-00	B3-AP116-01	B3-AP132-02	B3-AP152-00	
	B3-AP010-01	B3-AP023-01	B3-AP059-01	B3-AP072-01	B3-AP096-01	B3-AP118-01	B3-AP143-01	B3-AP153-00	
	B3-AP013-01	B3-AP027-01	B3-AP062-01	B3-AP078-01	B3-AP104-01	B3-AP119-01	B3-AP145-01	B3-AP154-00	
	B3-AP015-01	B3-AP034-01	B3-AP064-01	B3-AP080-01	B3-AP108-01	B3-AP121-01	B3-AP146-01	B3-AP156-00	
	B4-AP002-01	B4-AP017-01	B4-AP036-01	B4-AP067-01	B4-AP084-01	B4-AP111-01	B4-AP129-01	B4-AP146-01	B4-AP156-00
	B4-AP004-01	B4-AP019-01	B4-AP037-01	B4-AP068-01	B4-AP086-01	B4-AP114-01	B4-AP130-01	B4-AP150-00	B4-AP157-00
B4-AP006-01	B4-AP021-01	B4-AP058-01	B4-AP069-01	B4-AP093-00	B4-AP116-01	B4-AP132-01	B4-AP151-00	B4-AP163-00	
B4-AP010-01	B4-AP023-01	B4-AP059-01	B4-AP072-01	B4-AP096-01	B4-AP118-01	B4-AP139-01	B4-AP152-00		
B4-AP013-01	B4-AP027-01	B4-AP062-01	B4-AP078-01	B4-AP104-01	B4-AP119-01	B4-AP143-01	B4-AP153-00		
B4-AP015-01	B4-AP034-01	B4-AP064-01	B4-AP080-01	B4-AP108-01	B4-AP121-01	B4-AP145-01	B4-AP154-00		

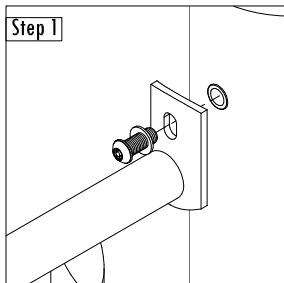
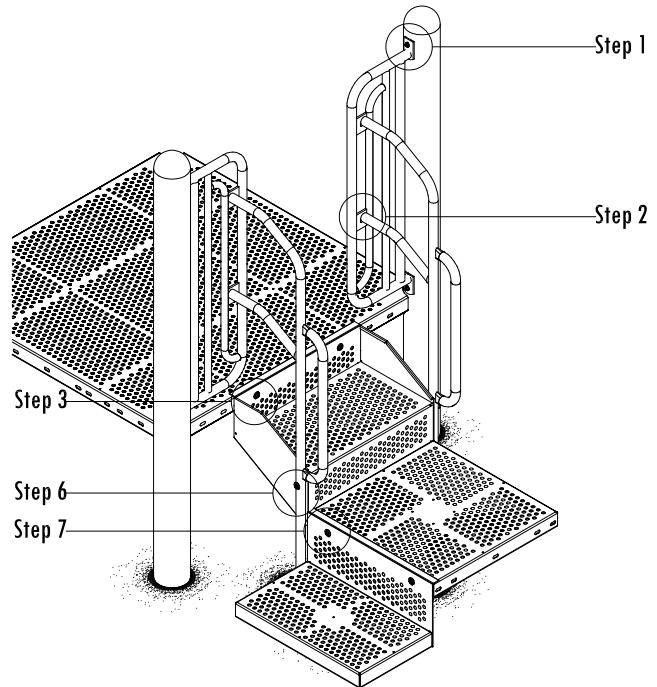
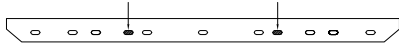
This Instruction Applies To The Following Modules :

- ST092 & ST102 - Transfer Station 2FT
- ST093 & ST103 - Transfer Station 3FT
- ST094 & ST104 - Transfer Station 4FT
- ST095 & ST105 - Transfer Station 5FT

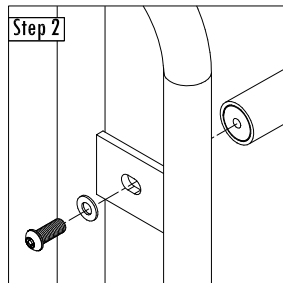
Parts List

2	GND1000	Transfer Station Ground Leg
2	HDR01300	Stair Barrier Rail- Upper 16"
2		Transfer Step Handrails
1	DCK02500	Transfer Deck
1		Accessible Stair
1	STR03500	Transfer Station Step
24	2T-0604	Button Cap Torx w/Pin 3/8" x 1"
2	2T-0608	Button Cap Torx w/Pin 3/8" x 2"
2	4L-0600	Lock Nut w/ Nylon Locking 3/8"
16	4N-0600	Locking Flange Nut 3/8"
26	5F-0500	Flat Washer 5/16" S/S w/ 3/8" Hole

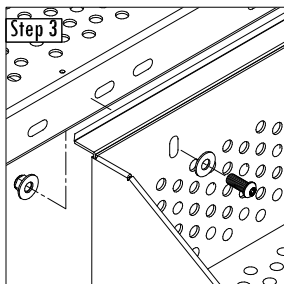
DECK HOLES USED



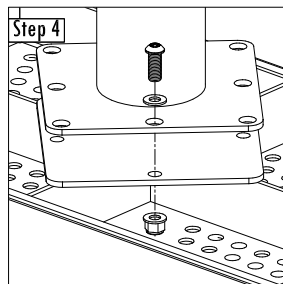
Step 1
1" Button Cap Torx, Flat Washer (x4)



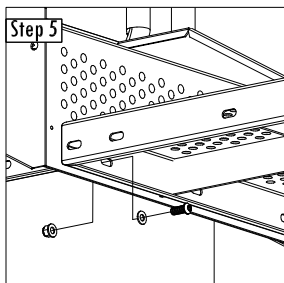
Step 2
1" Button Cap Torx, Flat Washer (x4)



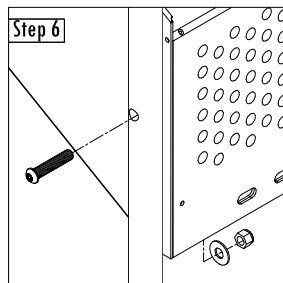
Step 3
1" Button Cap Torx, Flat Washers, Locking Flange Nut (x2)



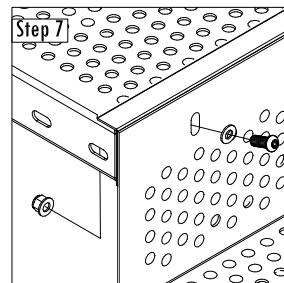
Step 4
1" Button Cap Torx, Flat Washers, Locking Flange Nut (x8)



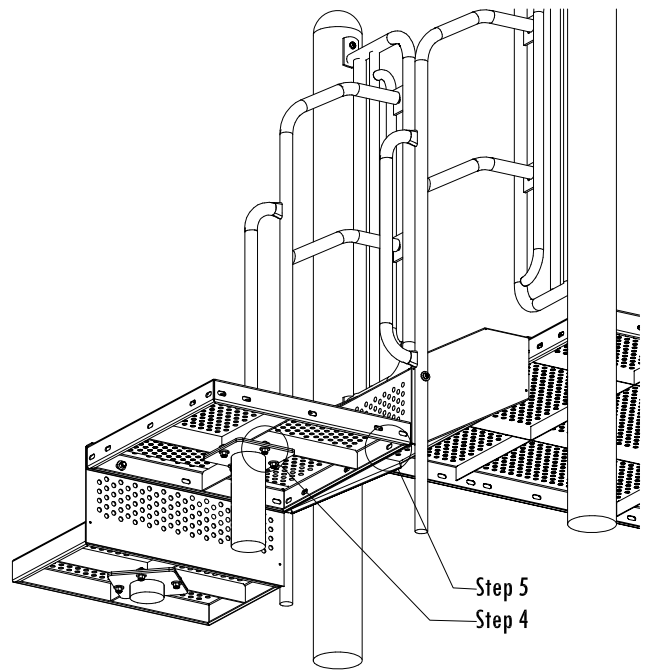
Step 5
1" Button Cap Torx, Flat Washers, Locking Flange Nut (x2)



Step 6
2" Button Cap Torx, Flat Washer, Lock Nut (x2)



Step 7
1" Button Cap Torx, Flat Washers, Locking Flange Nut (x2)

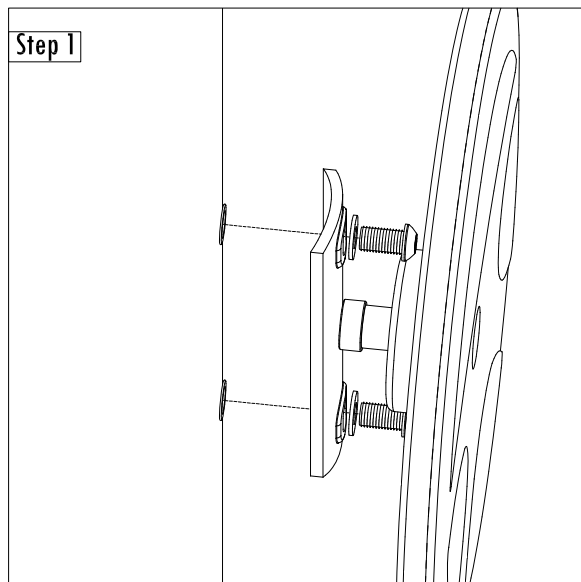
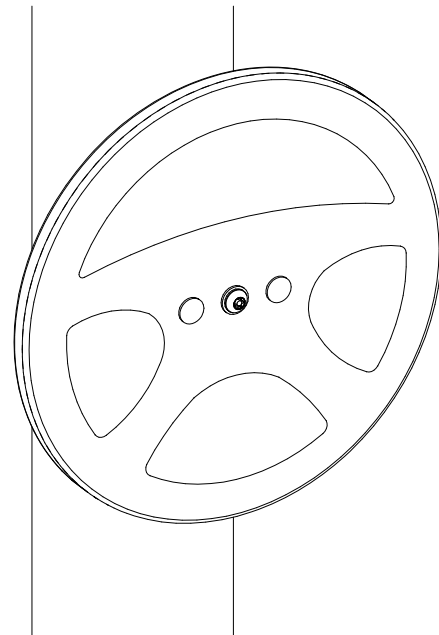


This Instruction Applies To The Following Modules :

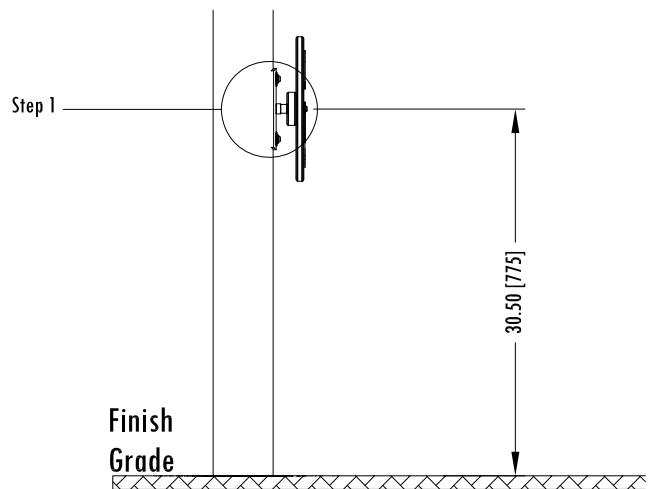
- AP158 - Balance Ball Game
- PT023 - PlayTot Ship Wheel on Post
- SC003 - Steering Wheel on Post
- SC005 - PlayShip Steering Wheel on Post
- SC027 - Maze Wheel

Parts List

- 1 Wheel with On Post Mounting Bracket
- 2 2T-0604 Button Cap Torx w/ Pin 3/8" x 1"
- 2 5F-0500 Flat Washer 5/16" with 3/8" Hole



1" Button Cap, Flat Washer (x2)

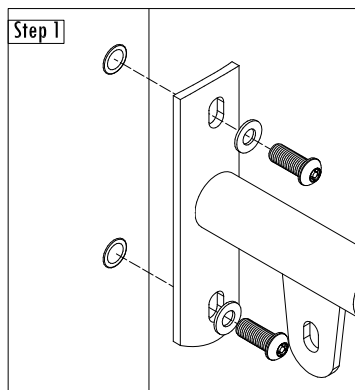
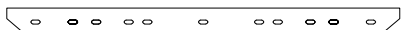


PLAYSTEEL SQ	PLAYSTEEL MAX	PLAYSTEEL FIT	ORBIS	PLAYTOTS	PAGE
	B5-AP158-02	B3-AP158-02		PT-PT023-01	1 OF 1
	B5-SC003-03	B3-SC003-03	N/A		
	B5-SC005-02	B3-SC005-02			
	B5-SC027-03	B3-SC027-04			

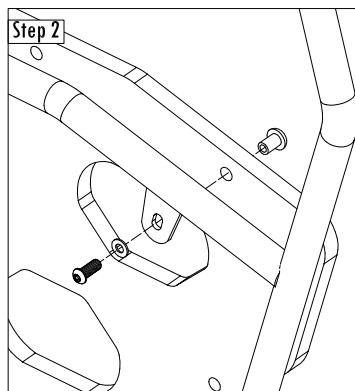
Parts List

- | | | |
|----|---------|------------------------------------|
| 1 | CLM251 | Vertical Leaf Climber Frame |
| 2 | SHP439 | Vertical Leaf Climber Plastic |
| 14 | 2T-0604 | Button Cap Torx w/ Pin 3/8" x 1" |
| 8 | 4R-0603 | Barrel Nut 3/8" x 3/4" |
| 14 | 5F-0500 | Flat Washer 5/16" S/S w/ 3/8" Hole |

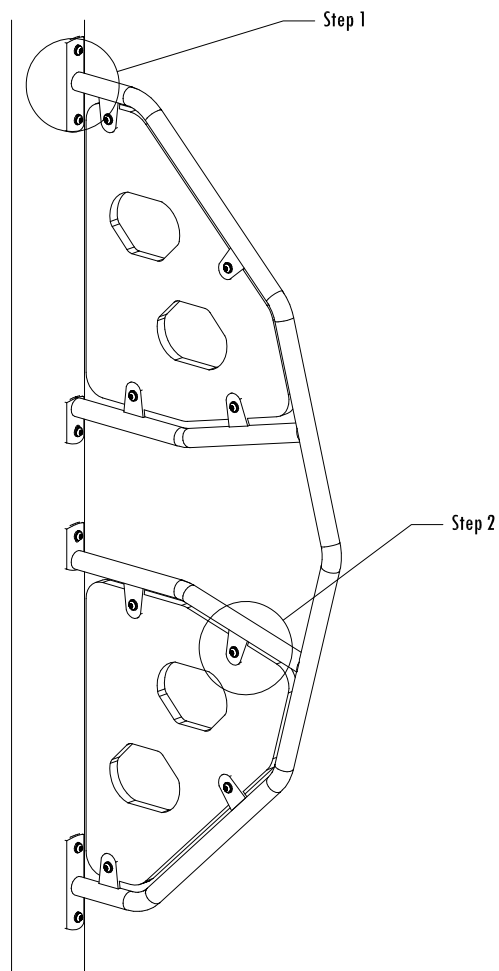
DECK HOLES USED



1" Button Cap Torx, Flat Washer (x6)

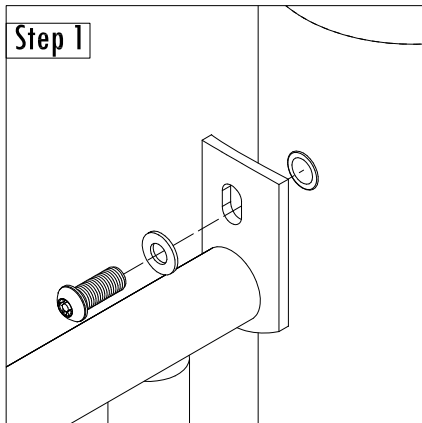
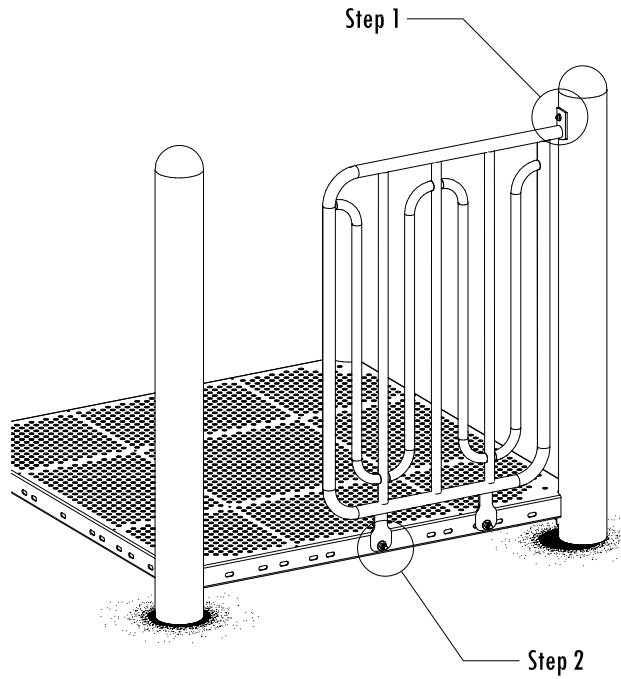


1" Button Cap Torx, Flat Washer, Barrel Nut (x8)

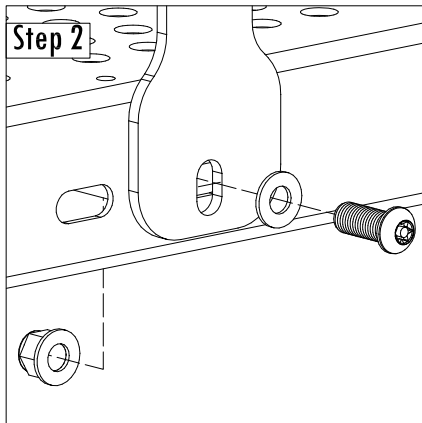


Parts List

- 1 BPN01200 Open Rail
- 3 2T-0604 - Button Cap Torx w/ Pin 3/8" x 1"
- 2 4N-0600 - Locking Flange Nut 3/8"
- 3 5F-0500 - Flat Washer 5/16" S/S w/ 3/8" Hole



1" Button Cap, Flat Washer (x1)



1" Button Cap, Flat Washer, Locking Flange Nut (x2)

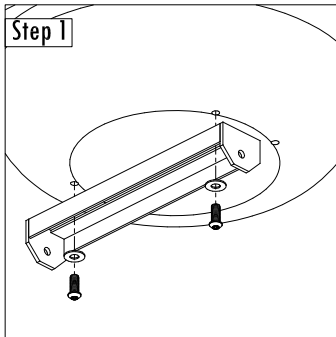
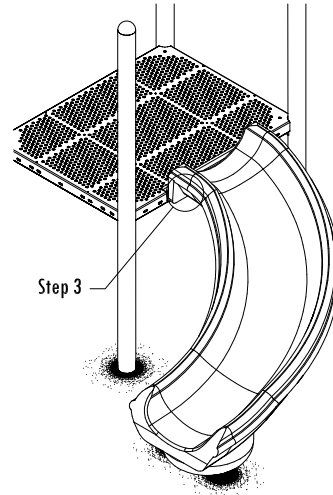
This Instruction Applies To The Following Modules :

- SL173 Poly Twister Slide 3'
- SL174 Poly Twister Slide 4'

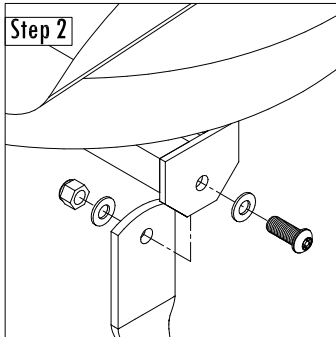
Parts List

- 1 Twister Poly Slide
- 1 GND00100 Universal Ground Leg Mount
- 2 GND00200 Universal Ground Leg
- 4 2T-0604 - Button Cap Torx w/ Pin 3/8" x 1"
- 2 2T-0608 - Button Cap Torx w/ Pin 3/8" x 2"
- 2 4L-0600 - Lock Nut w/ Nylon Locking 3/8"
- 8 5F-0500 - Flat Washer 5/16" S/S w/ 3/8" Hole

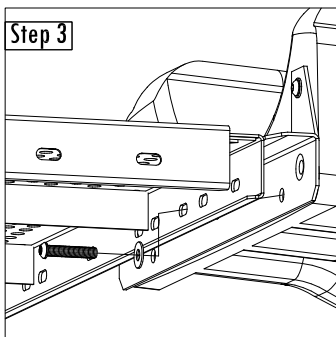
DECK HOLES USED



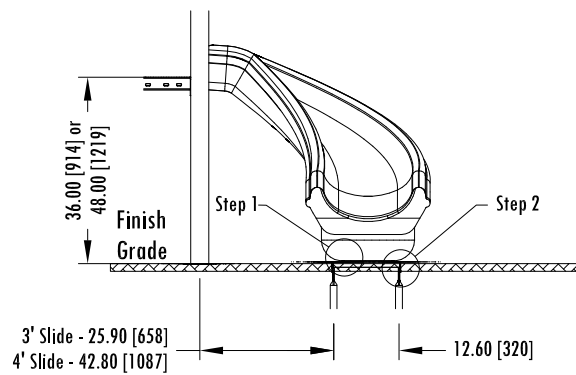
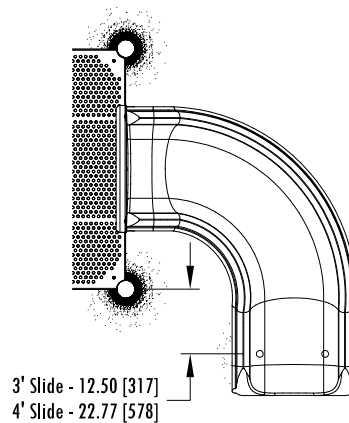
1" Button Cap Torx, Flat Washer (x2)



1" Button Cap Torx, Flat Washers, Lock Nut (x2)



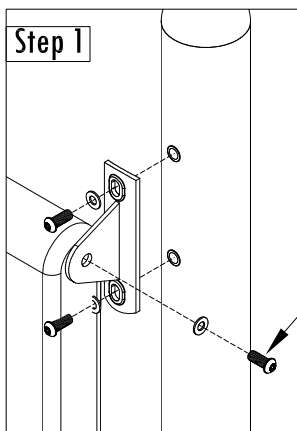
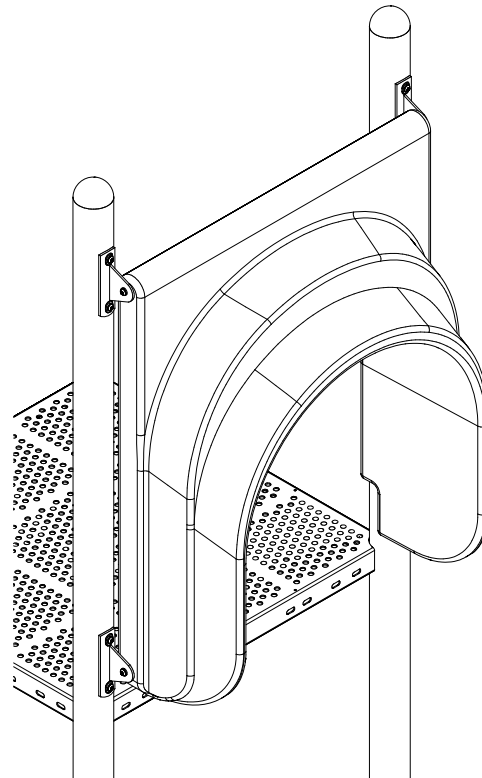
2" Button Cap Torx, Flat Washer (x2)



Parts List

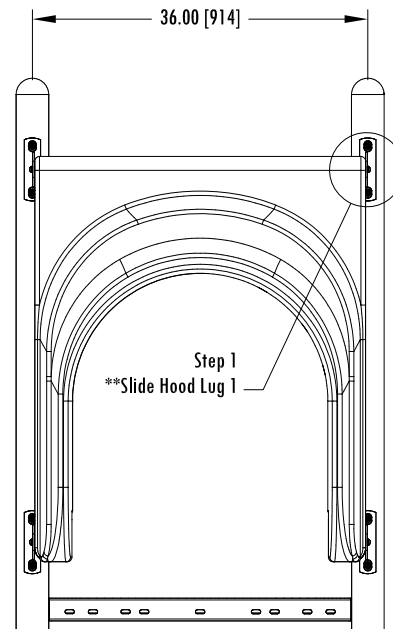
- 4 BRK12800 Slide Hood Lug 1
- 1 PPN00701 B3 Single Slide Hood

- 8 2T-0604 - Button Cap Torx w/ Pin 3/8" x 1"
- 4 2T-0606z - Button Cap Torx w/ Pin 3/8" x 1-1/2" (no locktite)
- 12 5F-0500 - Flat Washer 5/16" S/S w/ 3/8" Hole



NO LOCKTITE

1" Button Cap, Flat Washer (x8)
 1-1/2" Button Cap, Flat Washer (x4)

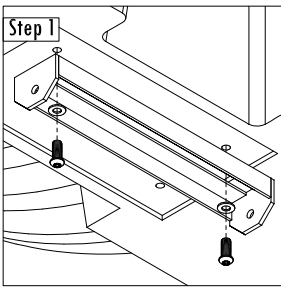
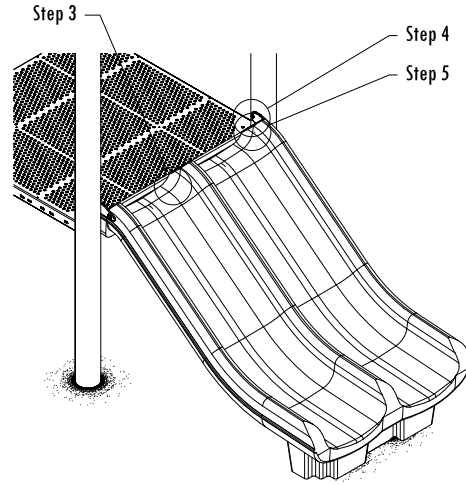
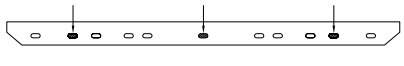


Parts List

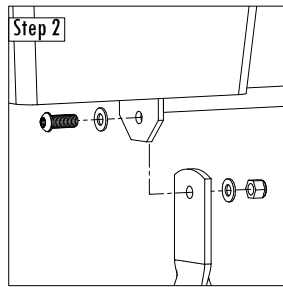
- 1 PSL01301 3' Double Tot Poly Slide
- 1 GND00100 Universal Ground Leg Mount
- 2 GND00200 Universal Ground Leg
- 2 SHP05000 Plastic String Guard

- 2 1C-0512 - Carriage Bolt 5/16" x 3"
- 6 2T-0604 - Button Cap Torx w/ Pin 3/8" x 1"
- 3 2T-0608 - Button Cap Torx w/ Pin 3/8" x 2"
- 2 4C-0500 - Camtainer Nut 5/16"
- 2 4L-0600 - Lock Nut w/ Nylon Locking 3/8"
- 11 5F-0500 - Flat Washer 5/16" S/S w/ 3/8" Hole

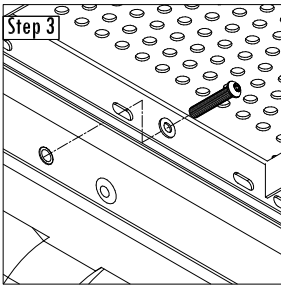
DECK HOLES USED



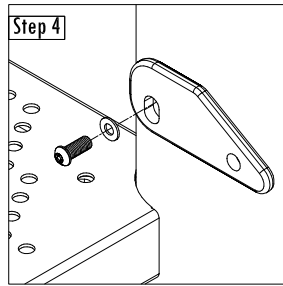
1" Button Cap Torx, Flat Washer (x2)



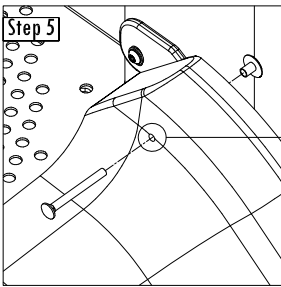
1" Button Cap Torx, Flat Washer, Lock Nut (x2)



2" Button Cap Torx, Flat Washer (x3)

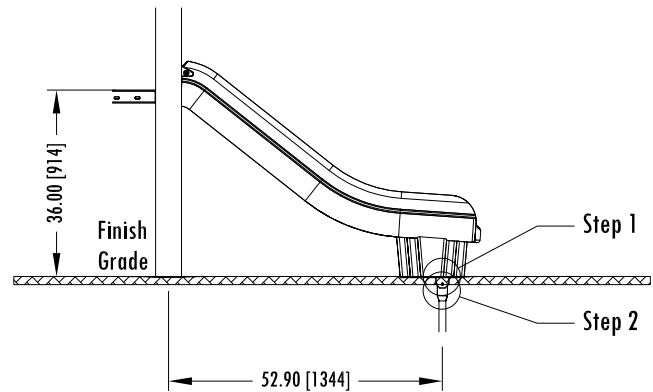
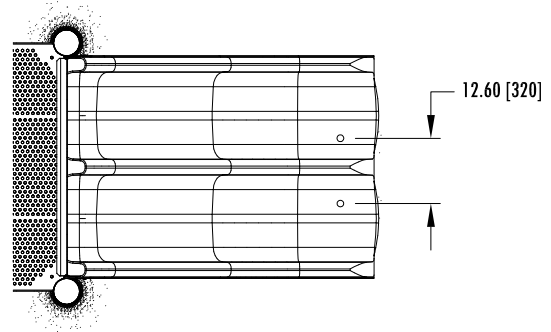


1" Button Cap Torx, Flat Washer (x2)



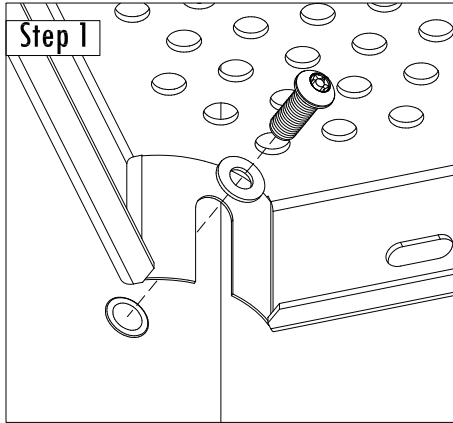
3" Carriage Bolt, Camtainer Nut (x2)

Drill 7/16" Hole Through Slide (Drill From Outside In, Using String Guard as Guide)

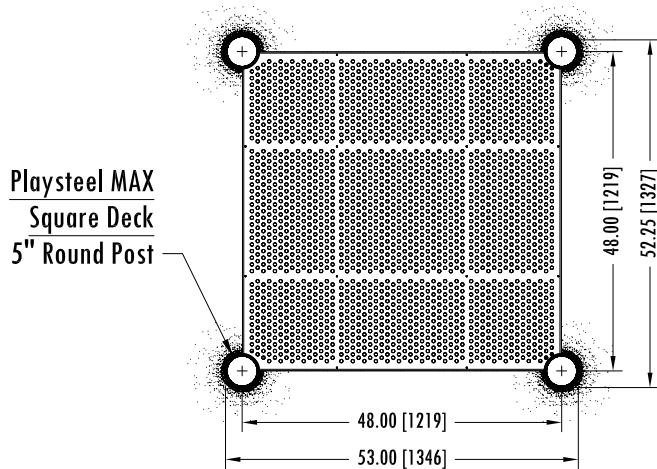
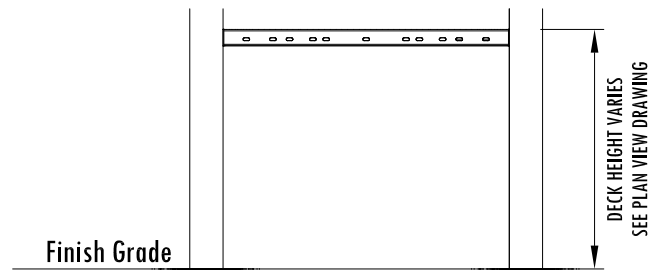
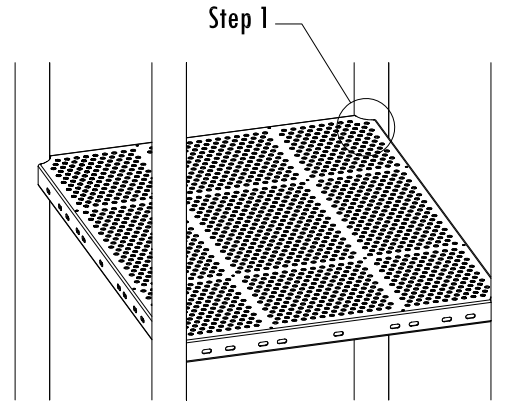


Parts List

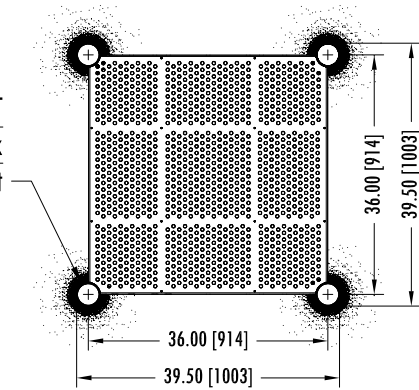
1		Deck
4	2T-0604	Button Cap Torx w/ Pin 3/8" x 1"
4	5F-0500	Flat Washer 5/16" S/S w/ 3/8" Hole



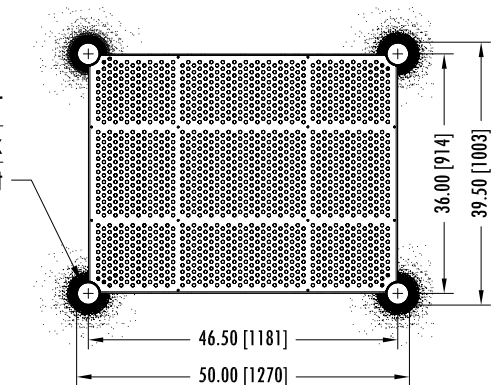
1" Button Cap, Flat Washer (x4)



Playsteel FIT
Square Deck
3.5" Round Post

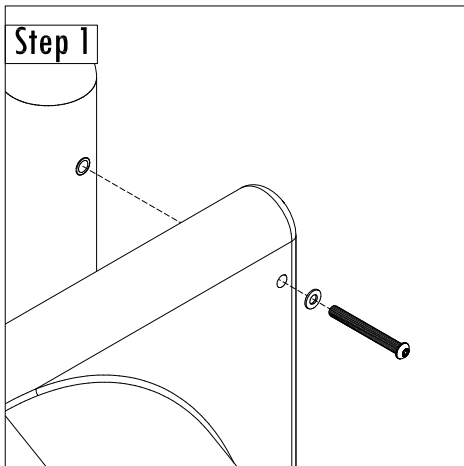


Playsteel FIT
Rectangle Deck
3.5" Round Post



Parts List

- 1 PPN00800 B4 Double Slide Hood
- 4 2T-0616 - Button Cap Torx w/ Pin 3/8" x 4"
- 4 5F-0500 - Flat Washer 5/16" S/S w/ 3/8" Hole



4" Button Cap, Flat Washer (x4)

