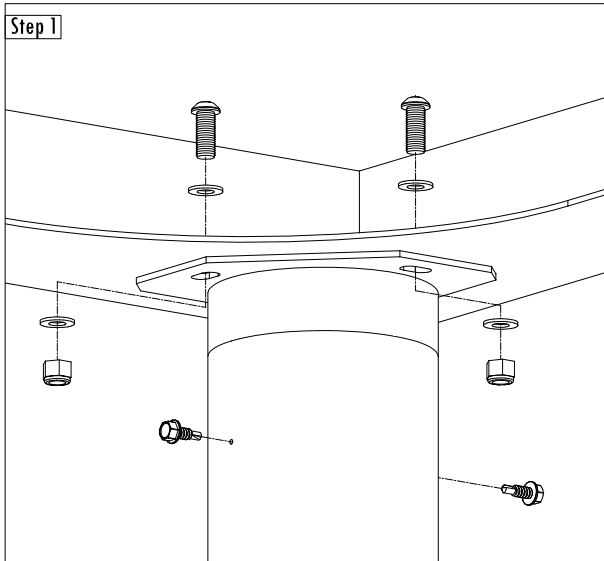
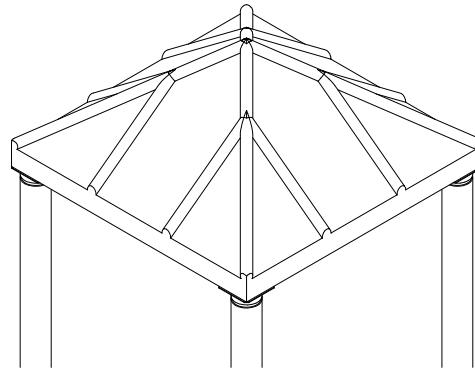
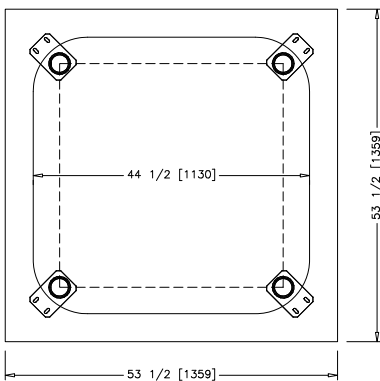
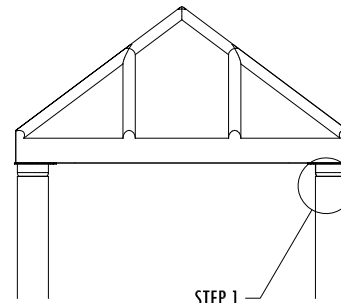
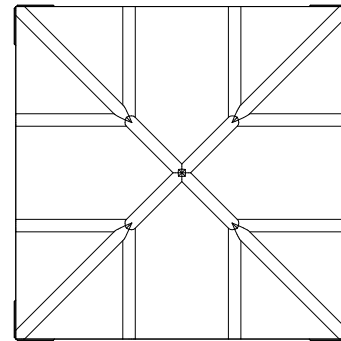


Parts List

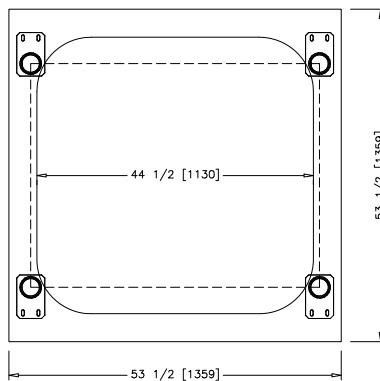
- 4 BRK00900 B5 Pyramid Roof Bracket
- 1 ROF01100 Pyramid Plastic Roof
- 8 2T-0604 - Button Cap Torx 3/8" x 1"
- 8 3V-0603 - Self Tapping Screw 3/8" x 3/4"
- 8 4L-0600 - Lock Nut W/ Nylon Locking 3/8"
- 16 5F-0500 - Flat Washer 5/16" S/S w/ 3/8" Hole



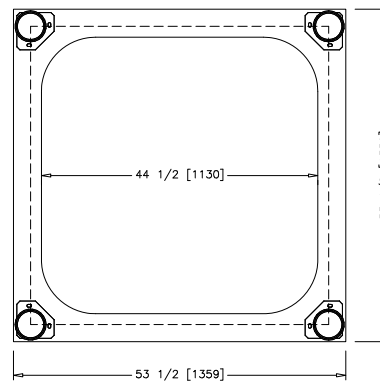
Carefully lift roof into place on top of roof brackets. Mark hole locations with marker. Remove roof to the ground and drill a hole in each of the marked locations. Replace roof on top of roof brackets and secure with 1" Button Cap Torx, Flat Washer, Lock Nut (x8) Secure bracket to post with Self Tapping Screws (x8)



ROOF ON PLAYSTEEL FIT OVER SQUARE DECK



ROOF ON PLAYSTEEL FIT OVER RECTANGLE DECK

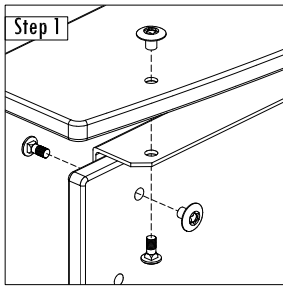
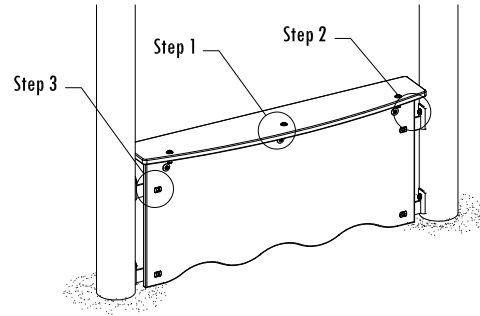


ROOF ON PLAYSTEEL MAX OVER SQUARE DECK

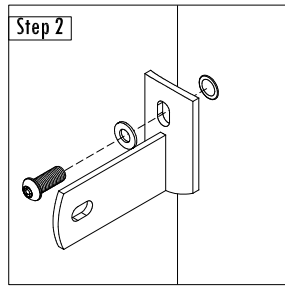
Parts List

- 4 BRK004000 Sheet Plastic Bracket
- 1 SHP00700 PlayCounter Panel
- 1 SHP01300 PlayCounter Top
- 1 PlayCounter Bracket

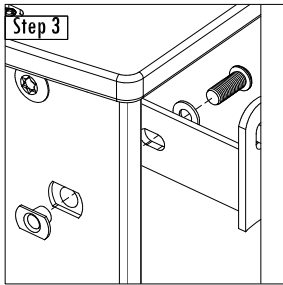
- 6 1C-0503 - Carriage Bolt 5/16" x 3/4"
- 8 2T-0604 - Button Cap Torx w/ Pin 3/8" x 1"
- 6 4C-0500 - Camtainer Nut 5/16"
- 4 4D-0600 - T Nut 3/8" x 3/4"
- 8 5F-0500 - Flat Washer 5/16" S/S w/ 3/8" Hole



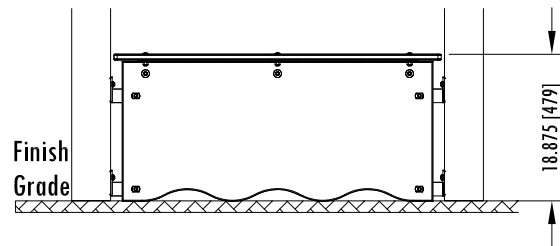
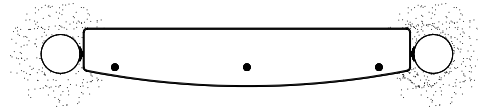
3/4" Carriage Bolt, Camtainer Nut (x6)



1" Button Cap, Flat Washer (x4)



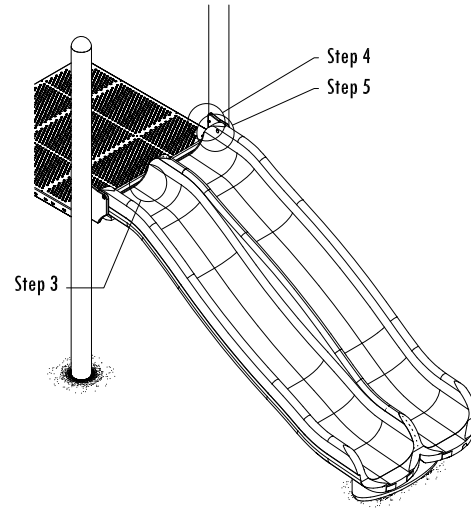
1" Button Cap, Flat Washer, T Nut (x4)



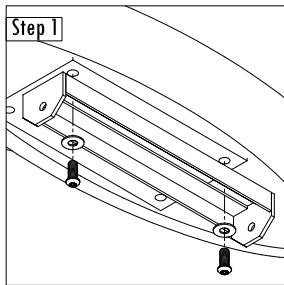
Parts List

- 1 PSL02300 4' Double Scoop Poly Slide
- 1 GND00100 Universal Ground Leg Mount
- 2 GND00200 Universal Ground Leg
- 2 SHP04900 Plastic String Guard

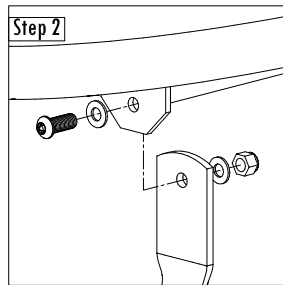
- 2 1C-0512 - Carriage Bolt 5/16" x 3"
- 4 2T-0604 - Button Cap Torx w/ Pin 3/8" x 1"
- 4 2T-0606 - Button Cap Torx w/ Pin 3/8" x 1-1/2"
- 3 2T-0608 - Button Cap Torx w/ Pin 3/8" x 2"
- 2 4C-0500 - Camtainer Nut 5/16"
- 2 4L-0600 - Lock Nut w/ Nylon Locking 3/8"
- 13 5F-0500 - Flat Washer 5/16" S/S w/ 3/8" Hole



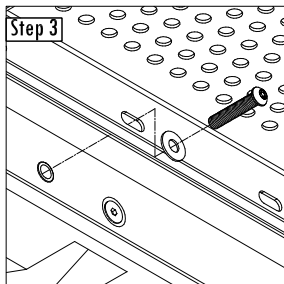
DECK HOLES USED



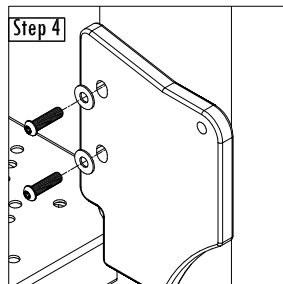
1" Button Cap Torx, Flat Washer (x2)



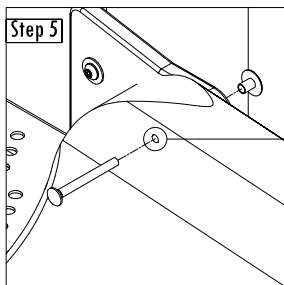
1" Button Cap Torx, Flat Washer, Lock Nut (x2)



2" Button Cap Torx, Flat Washer (x3)

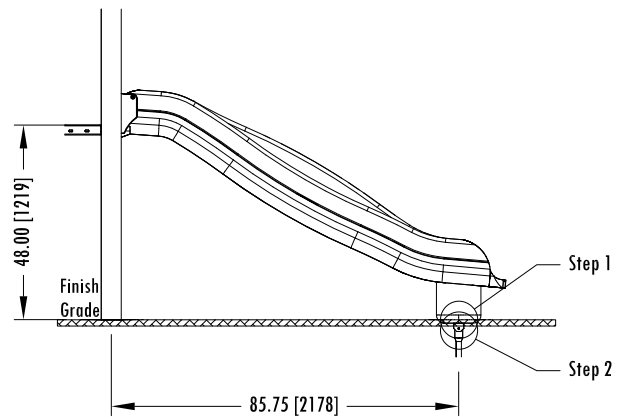
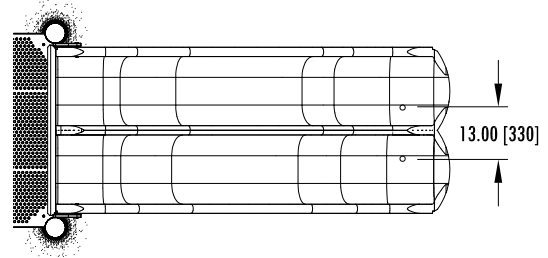


1-1/2" Button Cap Torx, Flat Washer (x4)



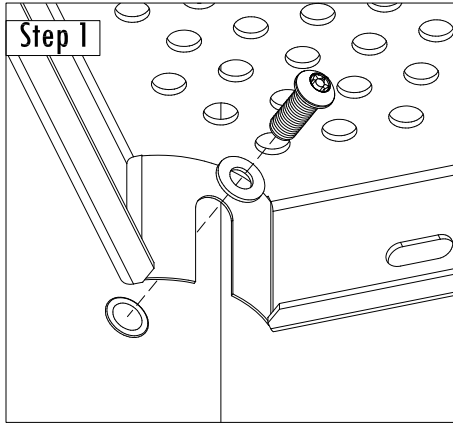
3" Carriage Bolt, Camtainer Nut (x2)

Drill 7/16" Hole Through Slide (Drill From Outside In, Using String Guard as Guide)

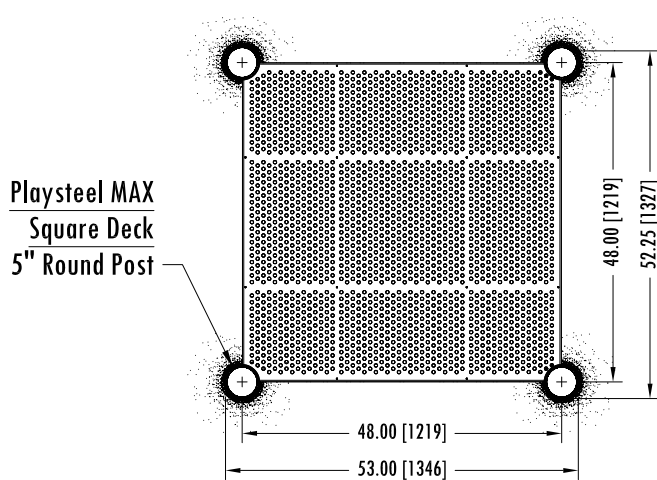
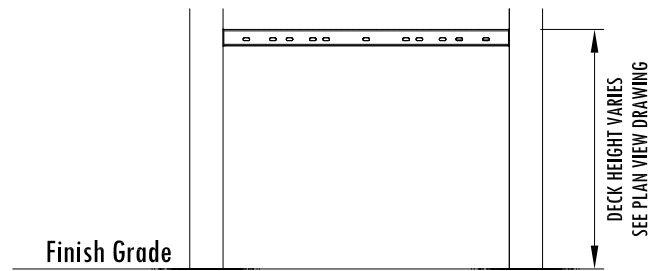
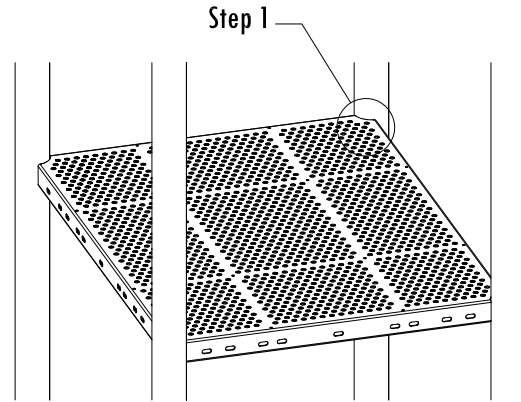


Parts List

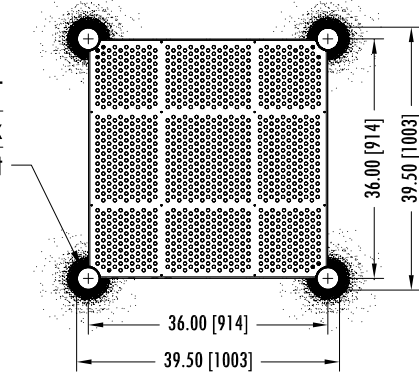
1		Deck
4	2T-0604	Button Cap Torx w/ Pin 3/8" x 1"
4	5F-0500	Flat Washer 5/16" S/S w/ 3/8" Hole



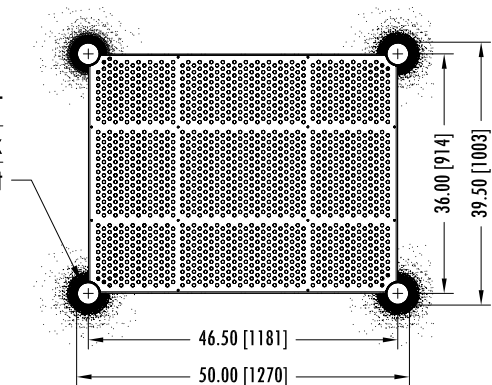
1" Button Cap, Flat Washer (x4)



Playsteel FIT
Square Deck
3.5" Round Post



Playsteel FIT
Rectangle Deck
3.5" Round Post



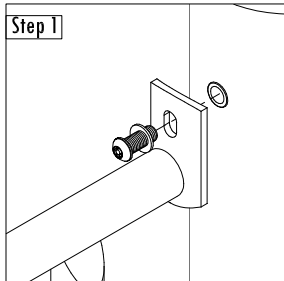
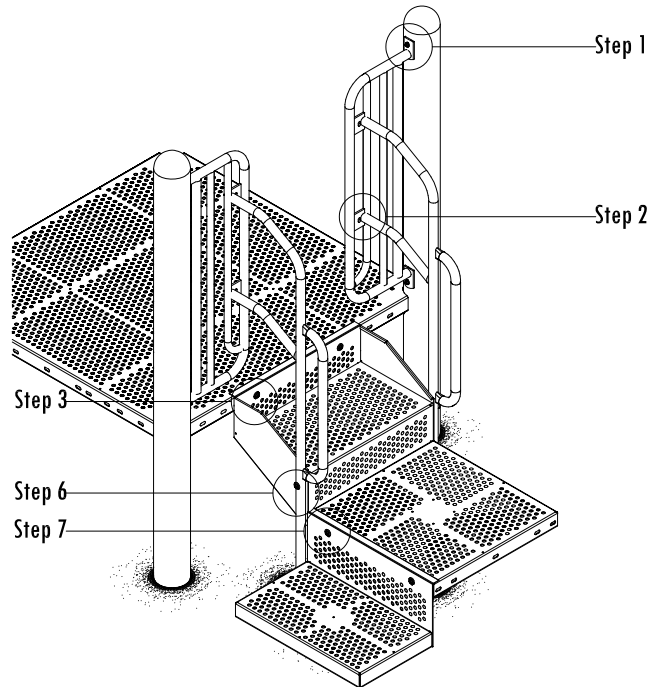
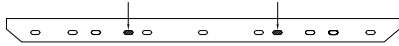
This Instruction Applies To The Following Modules :

- ST092 & ST102 - Transfer Station 2FT
- ST093 & ST103 - Transfer Station 3FT
- ST094 & ST104 - Transfer Station 4FT
- ST095 & ST105 - Transfer Station 5FT

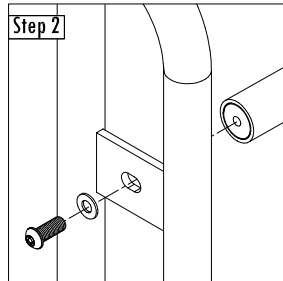
Parts List

2	GND1000	Transfer Station Ground Leg
2	HDR01300	Stair Barrier Rail- Upper 16"
2		Transfer Step Handrails
1	DCK02500	Transfer Deck
1		Accessible Stair
1	STR03500	Transfer Station Step
24	2T-0604	Button Cap Torx w/Pin 3/8" x 1"
2	2T-0608	Button Cap Torx w/Pin 3/8" x 2"
2	4L-0600	Lock Nut w/ Nylon Locking 3/8"
16	4N-0600	Locking Flange Nut 3/8"
26	5F-0500	Flat Washer 5/16" S/S w/ 3/8" Hole

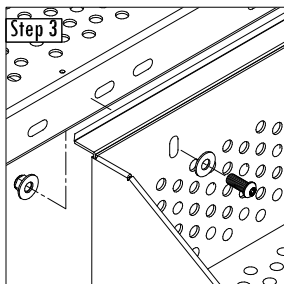
DECK HOLES USED



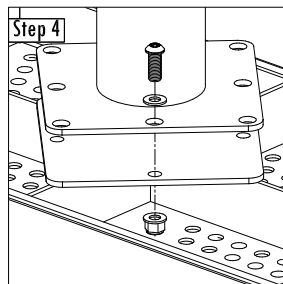
Step 1
1" Button Cap Torx, Flat Washer (x4)



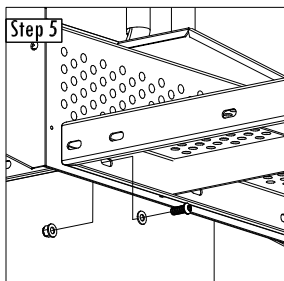
Step 2
1" Button Cap Torx, Flat Washer (x4)



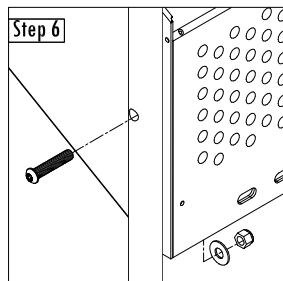
Step 3
1" Button Cap Torx, Flat Washers, Locking Flange Nut (x2)



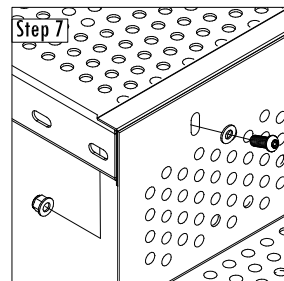
Step 4
1" Button Cap Torx, Flat Washers, Locking Flange Nut (x8)



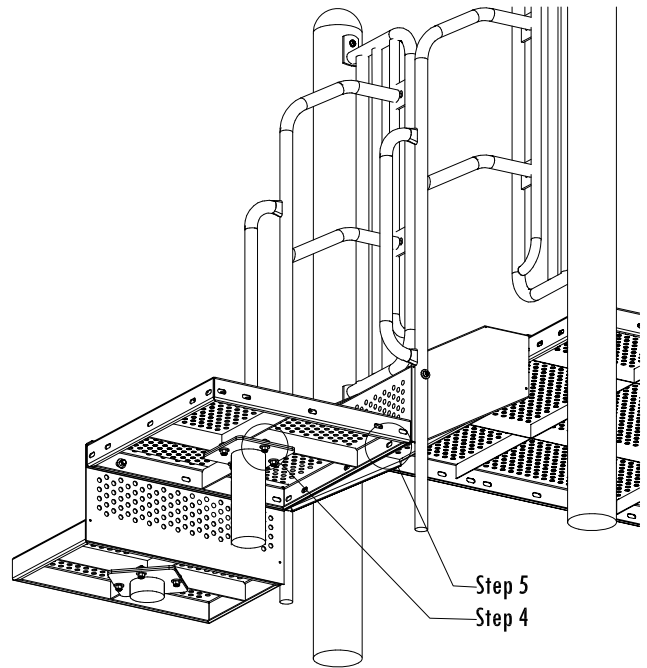
Step 5
1" Button Cap Torx, Flat Washers, Locking Flange Nut (x2)



Step 6
2" Button Cap Torx, Flat Washer, Lock Nut (x2)



Step 7
1" Button Cap Torx, Flat Washers, Locking Flange Nut (x2)



This Instruction Applies To The Following Modules :

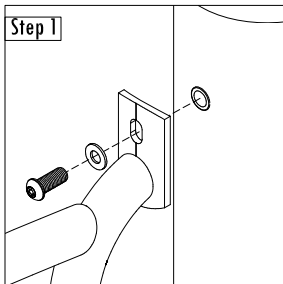
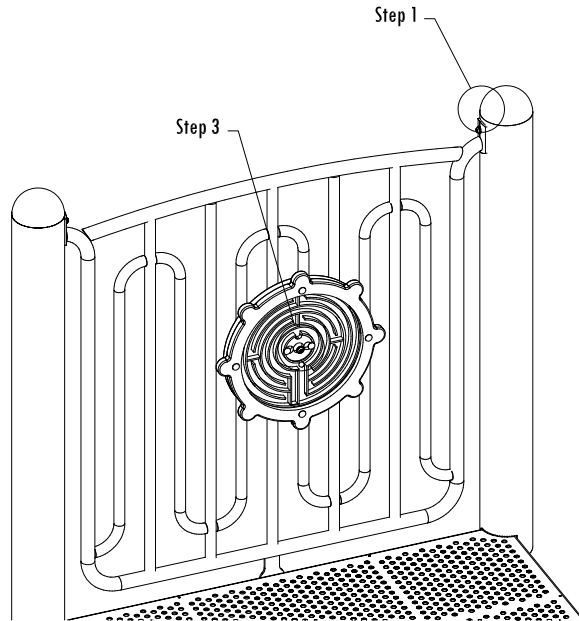
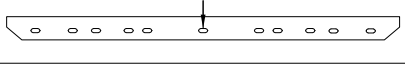
- AP032 Steering Wheel Panel
- AP065 PlayShip Helm Panel
- AP144 Maze Wheel on Vertical Rail Panel
- AP162 Balance Ball Game on Vertical Rail Panel

Parts List

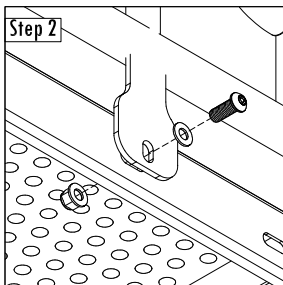
- 1 BPN00100 Vertical Rail
- 1 Wheel or Game
- 1 Universal Wheel Parts

- 3 2T-0604 - Button Cap Torx w/ Pin 3/8" x 1"
- 1 2T-0614 - Button Cap Torx w/ Pin 3/8" x 2-1/2"
- 1 4N-0600 - Locking Flange Nut 3/8"
- 1 4L-0600 - Lock Nut w/ Nylon Locking 3/8"
- 4 5F-0500 - Flat Washer 5/16" S/S w/ 3/8" Hole

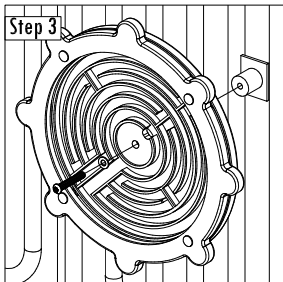
DECK HOLES USED



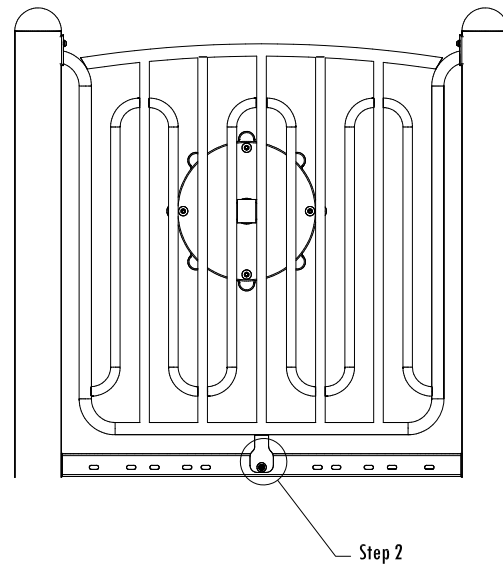
1" Button Cap, Flat Washer (x2)



1" Button Cap, Flat Washer, Locking Flange Nut (x2)



2-1/2" Button Cap, Flat Washer (x1)



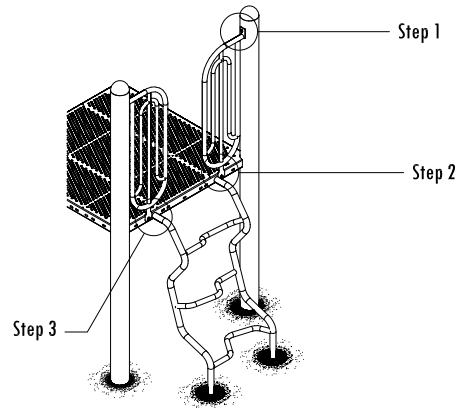
PLAYSTEEL SQ N/A	PLAYSTEEL MAX B5-AP032-03 B5-AP065-03 B5-AP144-03 B5-AP162-02	PLAYSTEEL FIT B3-AP032-05 B4-AP032-03 B3-AP065-04 B4-AP065-03 B3-AP144-05 B4-AP144-03 B3-AP162-02 B4-AP162-02	ORBIS N/A	PLAYTOTS N/A	PAGE 1 OF 1
---------------------	---------------------------------------------------------------------------	---------------------------------------------------------------------------------------------------------------------------	--------------	-----------------	-------------

This Instruction Applies To The Following Modules :

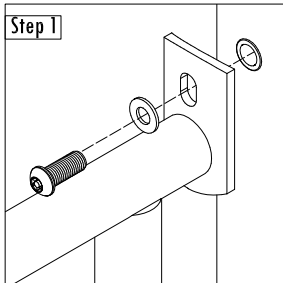
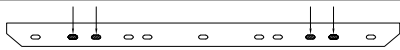
- CB709 Crawler 4'
- CB710 Crawler 5'
- CB711 Crawler 6'
- CB712 Crawler 7'

Parts List

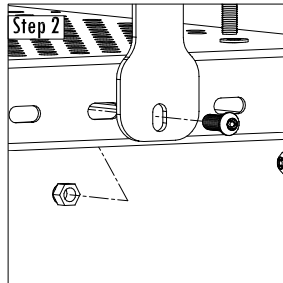
1	Crawler
2	BPN00200 Safety Rail
4	2T-0604 Button Cap Torx w/ Pin 3/8" x 1"
2	2T-0608 Button Cap Torx w/ Pin 3/8" x 2"
2	4L-0601 Lock Nut 3/8"
8	5F-0500 Flat Washer 5/16" S/S w/ 3/8" Hole



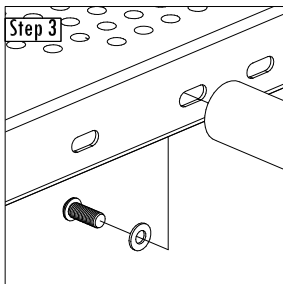
DECK HOLES USED



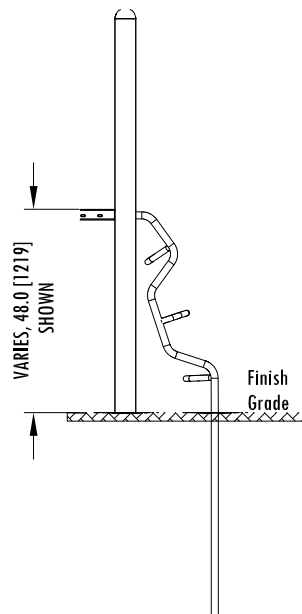
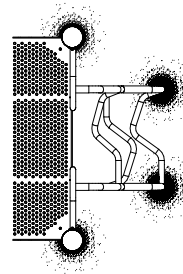
1" Button Cap Torx, Flat Washer (x2)



1" Button Cap Torx, Flat Washer, Lock Nut (x2)



2" Button Cap Torx, Flat Washer (x2)



PLAYSTEEL SQ N/A	PLAYSTEEL MAX B5-CB709-00 B5-CB710-00 B5-CB711-00 B5-CB712-00	PLAYSTEEL FIT B3-CB709-00 B3-CB710-00 B3-CB711-00 B3-CB712-00	B4-CB709-00 B4-CB710-00 B4-CB711-00 B4-CB712-00	ORBIS N/A	PLAYTOTS N/A	PAGE 1 OF 1
---------------------	---------------------------------------------------------------------------	---------------------------------------------------------------------------	----------------------------------------------------------	--------------	-----------------	-------------

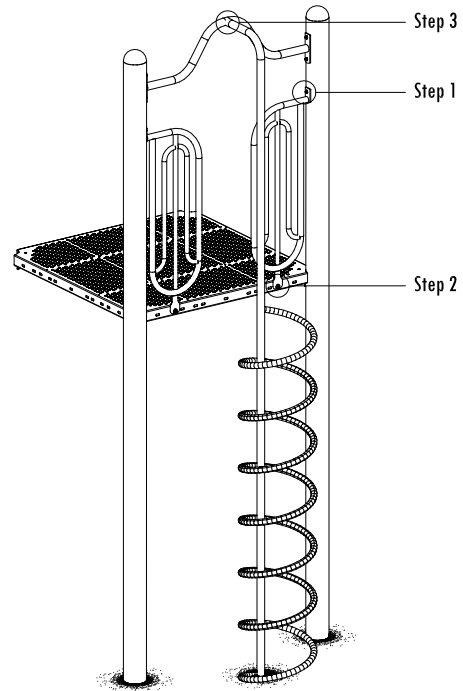
This Instruction Applies To The Following Modules :

- CB043 Corkscrew Climber 3'
- CB044 Corkscrew Climber 4'
- CB045 Corkscrew Climber 5'
- CB046 Corkscrew Climber 6'
- CB047 Corkscrew Climber 7'

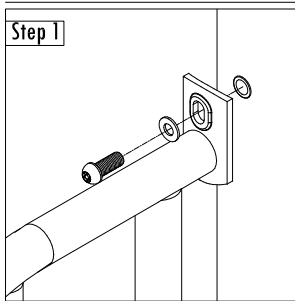
Parts List

- 1 Corkscrew Climber
- 1 Pole Connector
- 2 Safety Railing

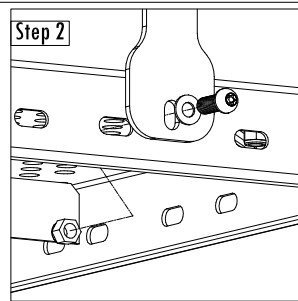
- 8 2T-0604 - Button Cap Torx w/ Pin 3/8" x 1"
- 1 2T-0610 - Button Cap Torx w/ Pin 3/8" x 2-1/2"
- 2 4L-0600 - Lock Nut w/ Nylon Locking 3/8"
- 11 5F-0500 - Flat Washer 5/16" S/S w/ 3/8" Hole



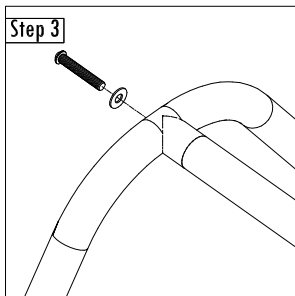
DECK HOLES USED



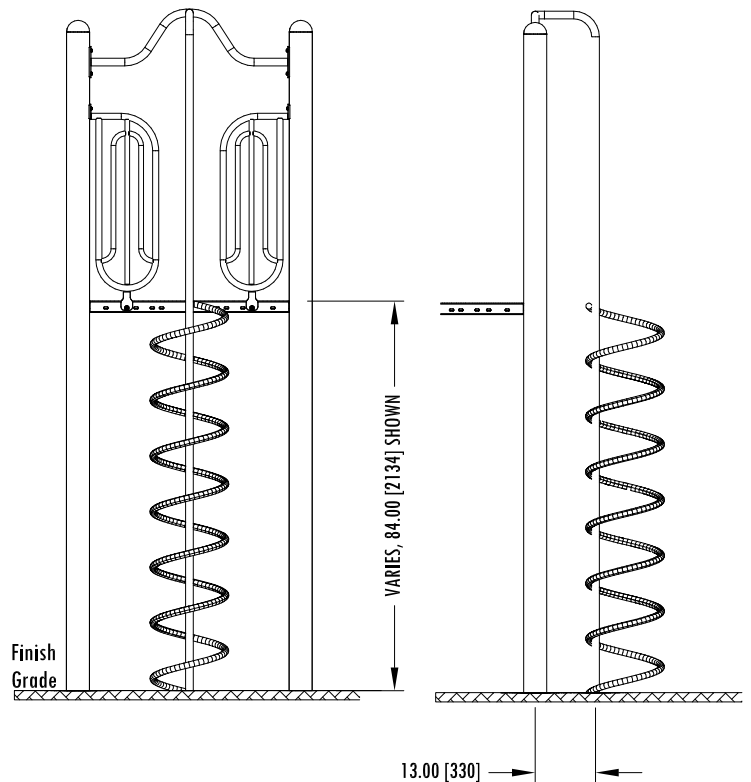
1" Button Cap Torx, Flat Washer (x6)



1" Button Cap Torx, Flat Washer, Lock Nut (x2)



2-1/2" Button Cap Torx, Flat Washer (x1)



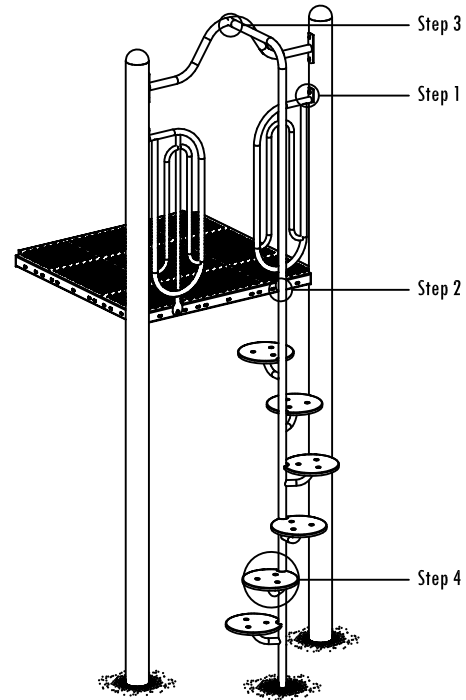
PLAYSTEEL SQ N/A	PLAYSTEEL MAX B5-CB043-02 B5-CB044-02 B5-CB045-02 B5-CB046-02 B5-CB047-01	PLAYSTEEL FIT B3-CB043-02 B3-CB044-02 B3-CB045-02 B3-CB046-02 B3-CB047-01	B4-CB043-02 B4-CB044-02 B4-CB045-02 B4-CB046-02 B4-CB047-01	ORBIS N/A	PLAYTOTS N/A	PAGE 1 OF 1
---------------------	------------------------------------------------------------------------------------------	------------------------------------------------------------------------------------------	-------------------------------------------------------------------------	--------------	-----------------	-------------

This Instruction Applies To The Following Modules :

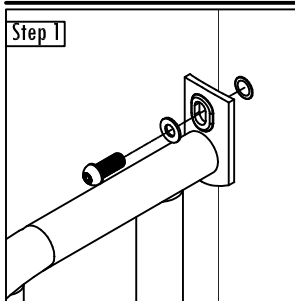
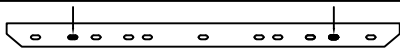
- CB313 Space Walk 3'
- CB314 Space Walk 4'
- CB315 Space Walk 5'
- CB316 Space Walk 6'
- CB317 Space Walk 7'

Parts List

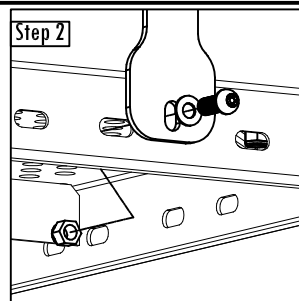
- 1 Space Walk
- 2-6 Space Walk Step
- 1 Pole Connector
- 2 Safety Railing
- 8 2T-0604 - Button Cap Torx w/ Pin 3/8" x 1"
- 6-18 2T-0604 - Button Cap Torx w/ Pin 3/8" x 1-1/2"
- 1 2T-0610 - Button Cap Torx w/ Pin 3/8" x 2-1/2"
- 8-20 4L-0600 - Lock Nut w/ Nylon Locking 3/8"
- 23-47 5F-0500 - Flat Washer 5/16" S/S w/ 3/8" Hole



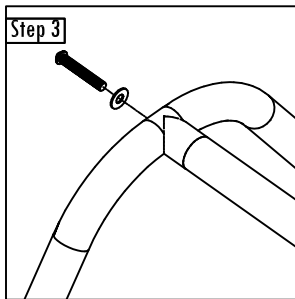
DECK HOLES USED



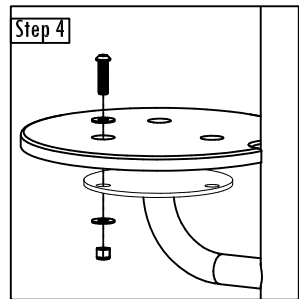
1" Button Cap Torx, Flat Washer (x6)



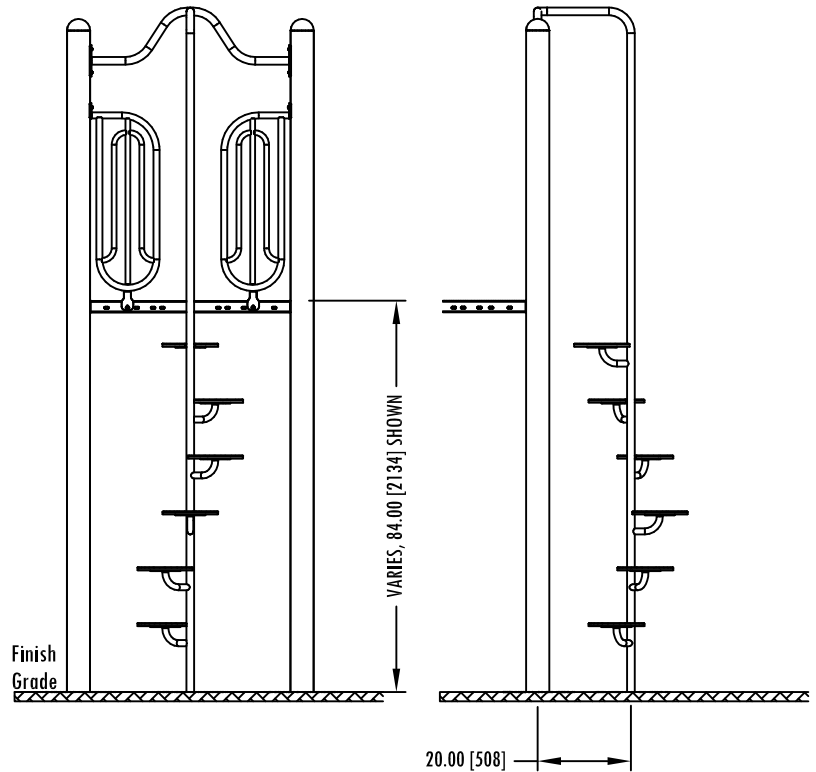
1" Button Cap Torx, Flat Washer, Lock Nut (x2)



2-1/2" Button Cap Torx, Flat Washer (x1)



1-1/2" Button Cap Torx, Flat Washer, Lock Nut (x2)



OFFICE USE ONLY

11/12/2018

PLAYSTEEL SQ N/A	PLAYSTEEL MAX B5-CB313-01 B5-CB314-01 B5-CB315-01 B5-CB316-01 B5-CB317-01	PLAYSTEEL FIT B3-CB313-01 B3-CB314-01 B3-CB315-01 B3-CB316-01 B3-CB317-01	B4-CB313-01 B4-CB314-01 B4-CB315-01 B4-CB316-01 B4-CB317-01	ORBIS N/A	PLAYTOTS N/A	PAGE 1 OF 1
---------------------	------------------------------------------------------------------------------------------	------------------------------------------------------------------------------------------	-------------------------------------------------------------------------	--------------	-----------------	-------------

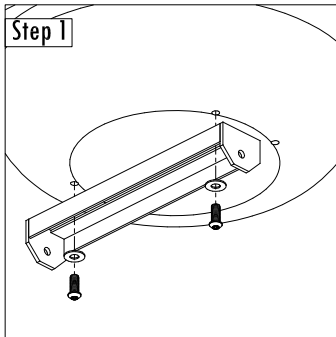
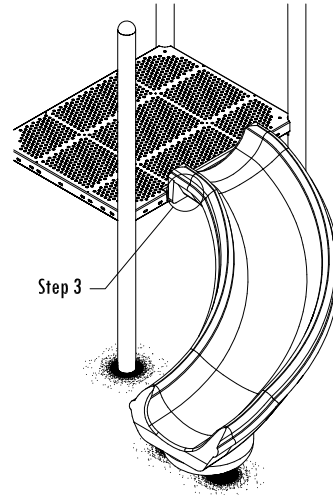
This Instruction Applies To The Following Modules :

- SL173 Poly Twister Slide 3'
- SL174 Poly Twister Slide 4'

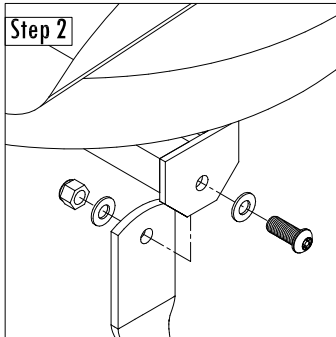
Parts List

- 1 Twister Poly Slide
- 1 GND00100 Universal Ground Leg Mount
- 2 GND00200 Universal Ground Leg
- 4 2T-0604 - Button Cap Torx w/ Pin 3/8" x 1"
- 2 2T-0608 - Button Cap Torx w/ Pin 3/8" x 2"
- 2 4L-0600 - Lock Nut w/ Nylon Locking 3/8"
- 8 5F-0500 - Flat Washer 5/16" S/S w/ 3/8" Hole

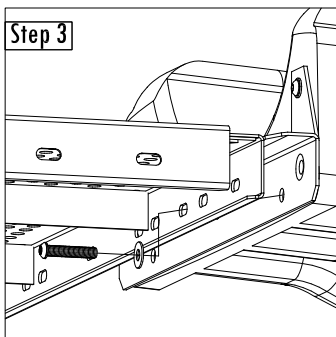
DECK HOLES USED



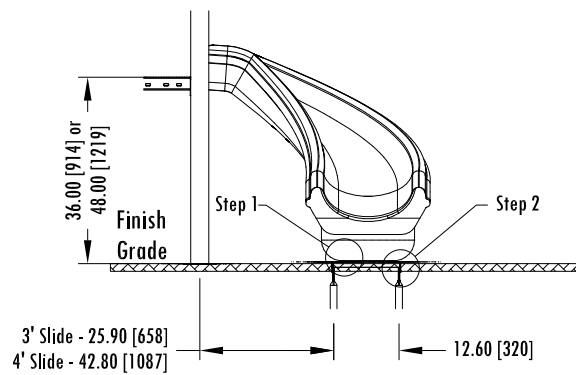
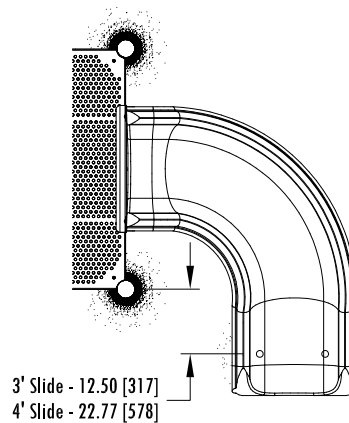
1" Button Cap Torx, Flat Washer (x2)



1" Button Cap Torx, Flat Washers, Lock Nut (x2)



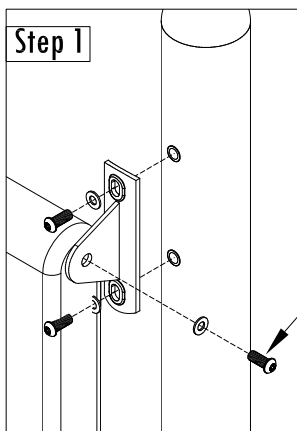
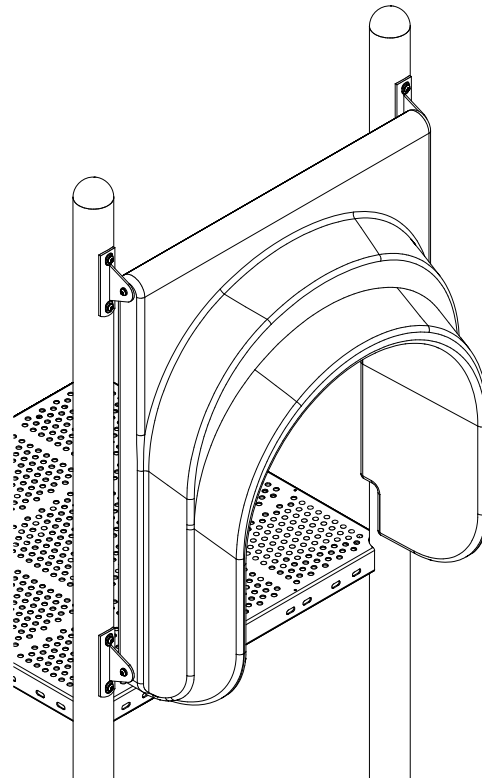
2" Button Cap Torx, Flat Washer (x2)



Parts List

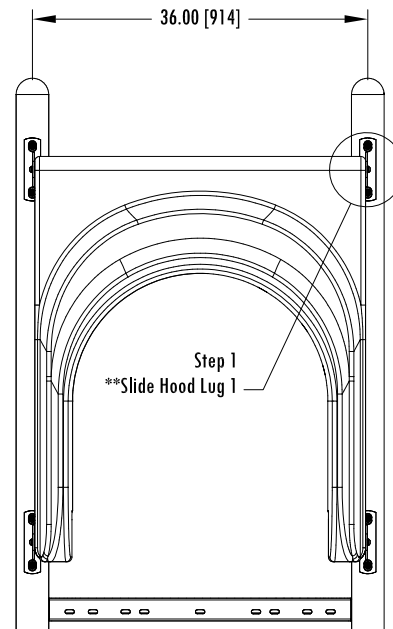
- 4 BRK12800 Slide Hood Lug 1
- 1 PPN00701 B3 Single Slide Hood

- 8 2T-0604 - Button Cap Torx w/ Pin 3/8" x 1"
- 4 2T-0606z - Button Cap Torx w/ Pin 3/8" x 1-1/2" (no locktite)
- 12 5F-0500 - Flat Washer 5/16" S/S w/ 3/8" Hole



NO LOCKTITE

- 1" Button Cap, Flat Washer (x8)
- 1-1/2" Button Cap, Flat Washer (x4)



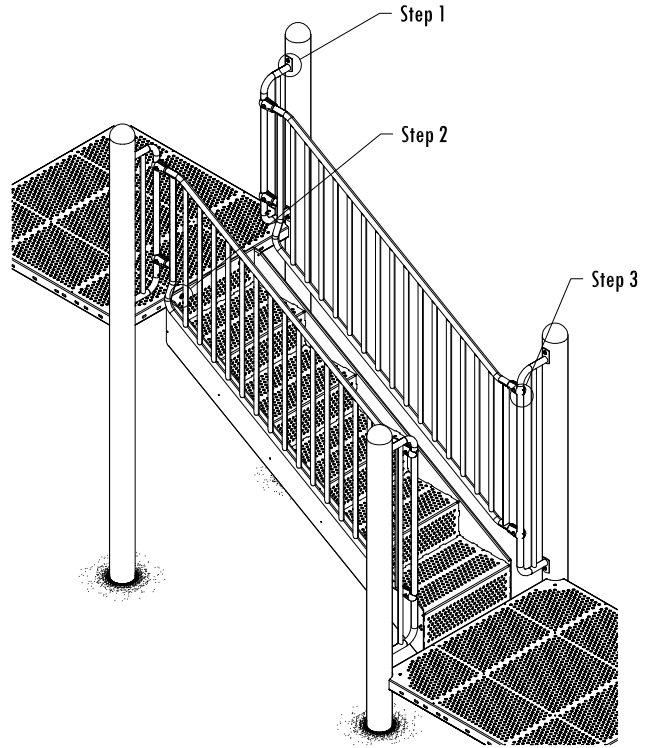
This Instruction Applies To The Following Modules :

ST061	Accessible Step Deck 12"	(1 Steps)
ST063	Accessible Step Deck 24"	(2 Steps)
ST067	Accessible Step Deck 48"	(5 Steps)
ST068	Accessible Step Deck 48"	(5 Steps)

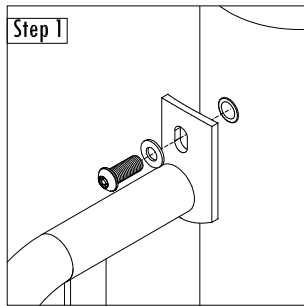
Parts List

2	BPN056	Accessible Step Deck Upper (37")
2	BPN057	Accessible Step Deck Lower (51")
8	CLP001	1.315" Tubing Clamp
2	HDR086	Accessible Step Deck Handrail
1		Accessible Stair

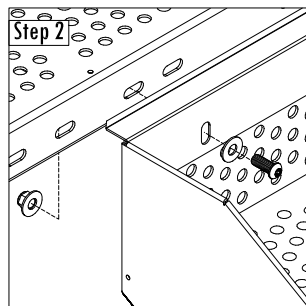
12	2T-0604	- Button Cap Torx w/ Pin 3/8" x 1"
8	2T-0610	- Button Cap Torx w/ Pin 3/8" x 1-1/2"
8	4L-0601	- SS Lock Nut 3/8"-16 UNC .41h-11/16W
4	4N-0600	- Locking Flange Nut 3/8"
12	5F-0500	- Flat Washer 5/16" S/S w/ 3/8" Hole



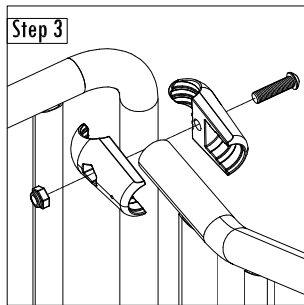
DECK HOLES USED



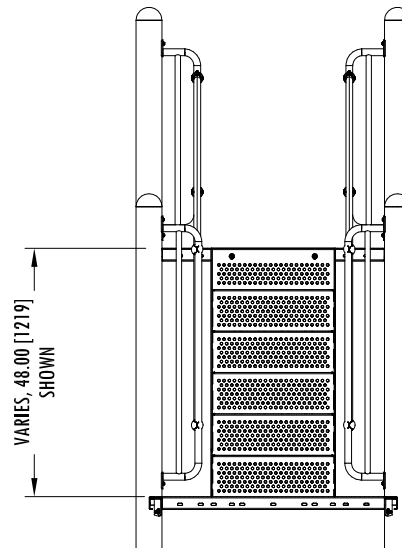
1" Button Cap, Flat Washer (x8)



1" Button Cap, Flat Washer, Locking Flange Nut (x4)



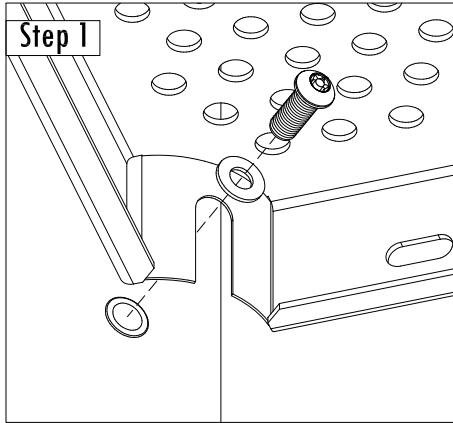
1-1/2" Button Cap Torx, Locknut (x8)



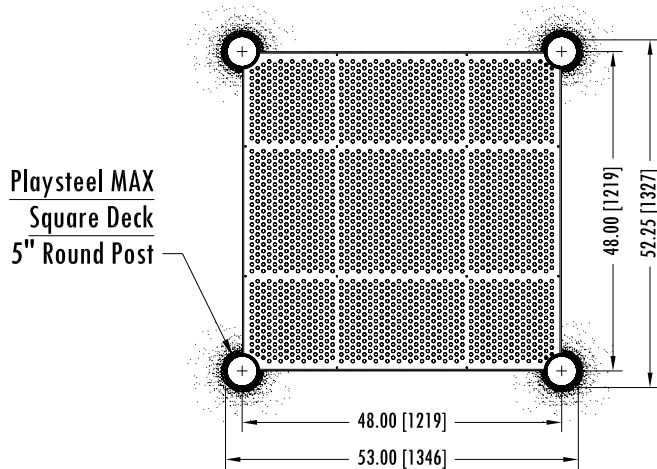
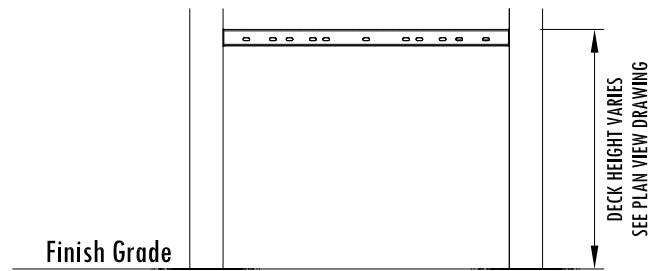
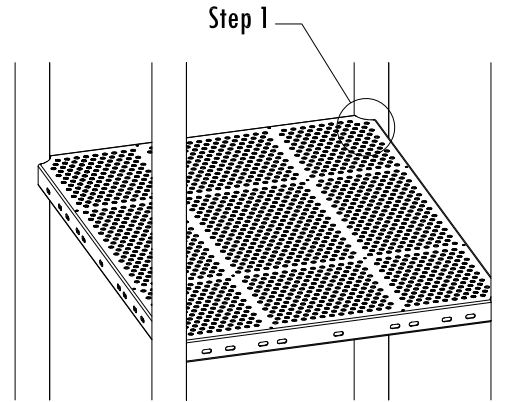
PLAYSTEEL SQ N/A	PLAYSTEEL MAX B5-ST061-03 B5-ST063-04 B5-ST067-00 B5-ST068-04	PLAYSTEEL FIT B3-ST061-05 B3-ST063-05 B3-ST067-00 B3-ST068-05	B4-ST061-05 B4-ST063-04 B4-ST067-00 B4-ST068-05	ORBIS N/A	PLAYTOTS N/A	PAGE 1 OF 1
---------------------	---------------------------------------------------------------------------	---------------------------------------------------------------------------	----------------------------------------------------------	--------------	-----------------	-------------

Parts List

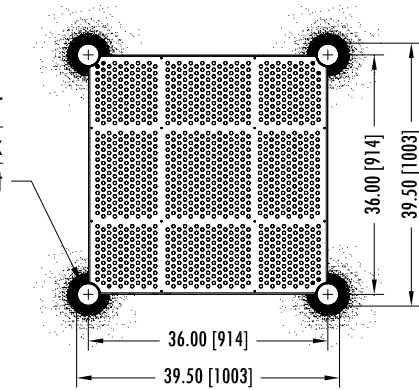
1		Deck
4	2T-0604	Button Cap Torx w/ Pin 3/8" x 1"
4	5F-0500	Flat Washer 5/16" S/S w/ 3/8" Hole



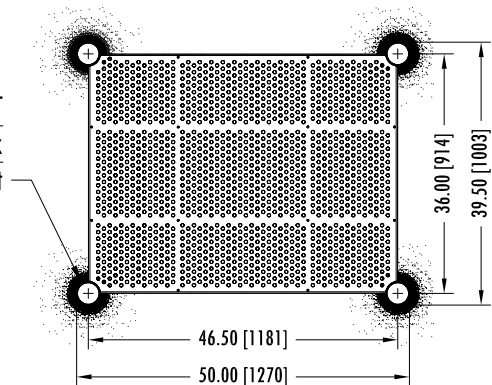
1" Button Cap, Flat Washer (x4)



Playsteel FIT
Square Deck
3.5" Round Post



Playsteel FIT
Rectangle Deck
3.5" Round Post



This Instruction Applies To The Following Modules :

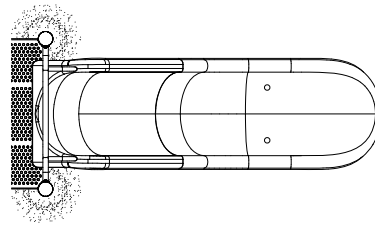
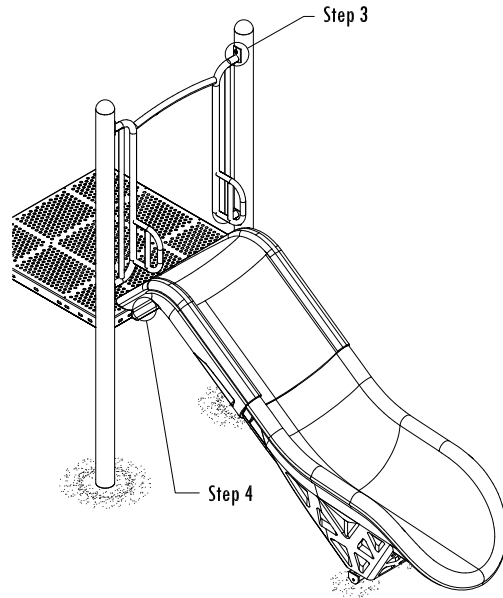
- | | |
|------------------------------------------|-------------------------------------------|
| SL263 Open Starglide Slide Straight 3' | SL286 Open Starglide Slide Veer Left 6' |
| SL264 Open Starglide Slide Straight 4' | SL287 Open Starglide Slide Veer Left 7' |
| SL265 Open Starglide Slide Straight 5' | SL288 Open Starglide Slide Veer Left 8' |
| SL266 Open Starglide Slide Straight 6' | SL297 Open Starglide Slide Turn Right 7' |
| SL267 Open Starglide Slide Straight 7' | SL298 Open Starglide Slide Turn Right 8' |
| SL268 Open Starglide Slide Straight 8' | SL307 Open Starglide Slide Turn Left 7' |
| SL275 Open Starglide Slide Veer Right 5' | SL308 Open Starglide Slide Turn Left 8' |
| SL276 Open Starglide Slide Veer Right 6' | SL317 Open Starglide Slide Snake Right 7' |
| SL277 Open Starglide Slide Veer Right 7' | SL318 Open Starglide Slide Snake Right 8' |
| SL278 Open Starglide Slide Veer Right 8' | SL327 Open Starglide Slide Snake Left 7' |
| SL285 Open Starglide Slide Veer Left 5' | SL328 Open Starglide Slide Snake Left 8' |

Parts List

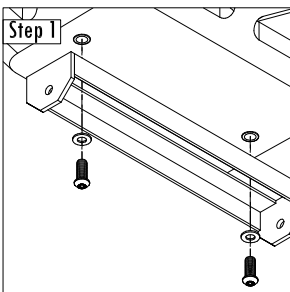
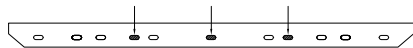
- 1 Open Stargate Slide Assembly
 - 1 1M-P1-GND00100-00 Universal Ground Leg Mount
 - 2 1M-P1-GND00200-00 Universal Ground Leg
 - 1 1M-B3-BPN06000-00 Open Starglide Entry Rail
 - 1* 1S-P1-GND02500-00 Starglide Support Leg (6' or higher slides)
- *Quantity specified on Starglide Sectional Slide configuration diagram.

- 6 2T-0604 - Button Cap Torx w/ Pin 3/8" x 1"
- 3 2T-0606 - Button Cap Torx w/ Pin 3/8" x 1-1/2"
- 2 4L-0600 - Lock Nut w/ Nylon Locking 3/8"
- 14 5F-0500 - Flat Washer 5/16" S/S w/ 3/8" Hole

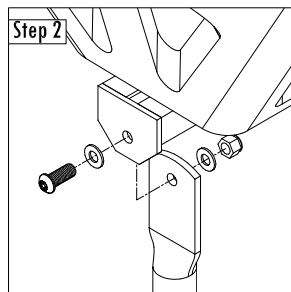
For slides shipped in sections, assemble with (5) 3/8" x 3-1/2" Torx, flatwashers, 1/2" flatwasher and spenco nuts.



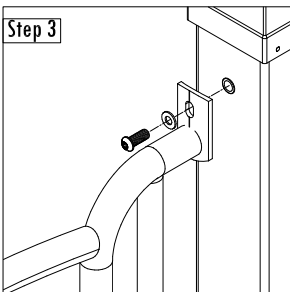
DECK HOLES USED



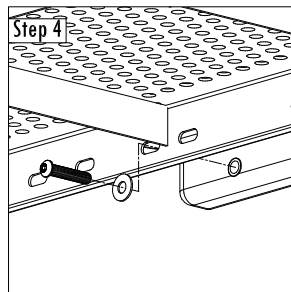
1" Button Cap Torx, Flat Washer (x2)



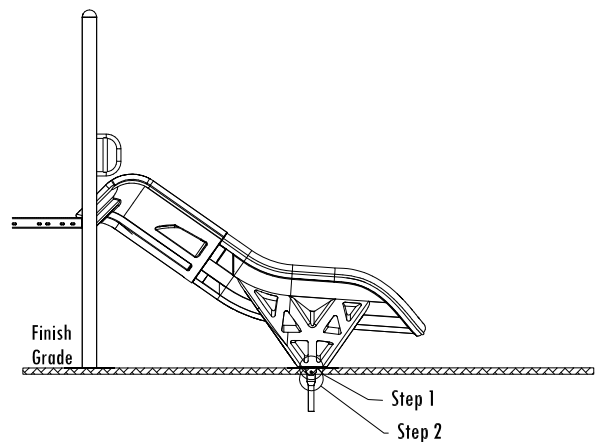
1" Button Cap Torx, Flat Washer, Lock Nut (x2)



1" Button Cap Torx, Flat Washer (x4)

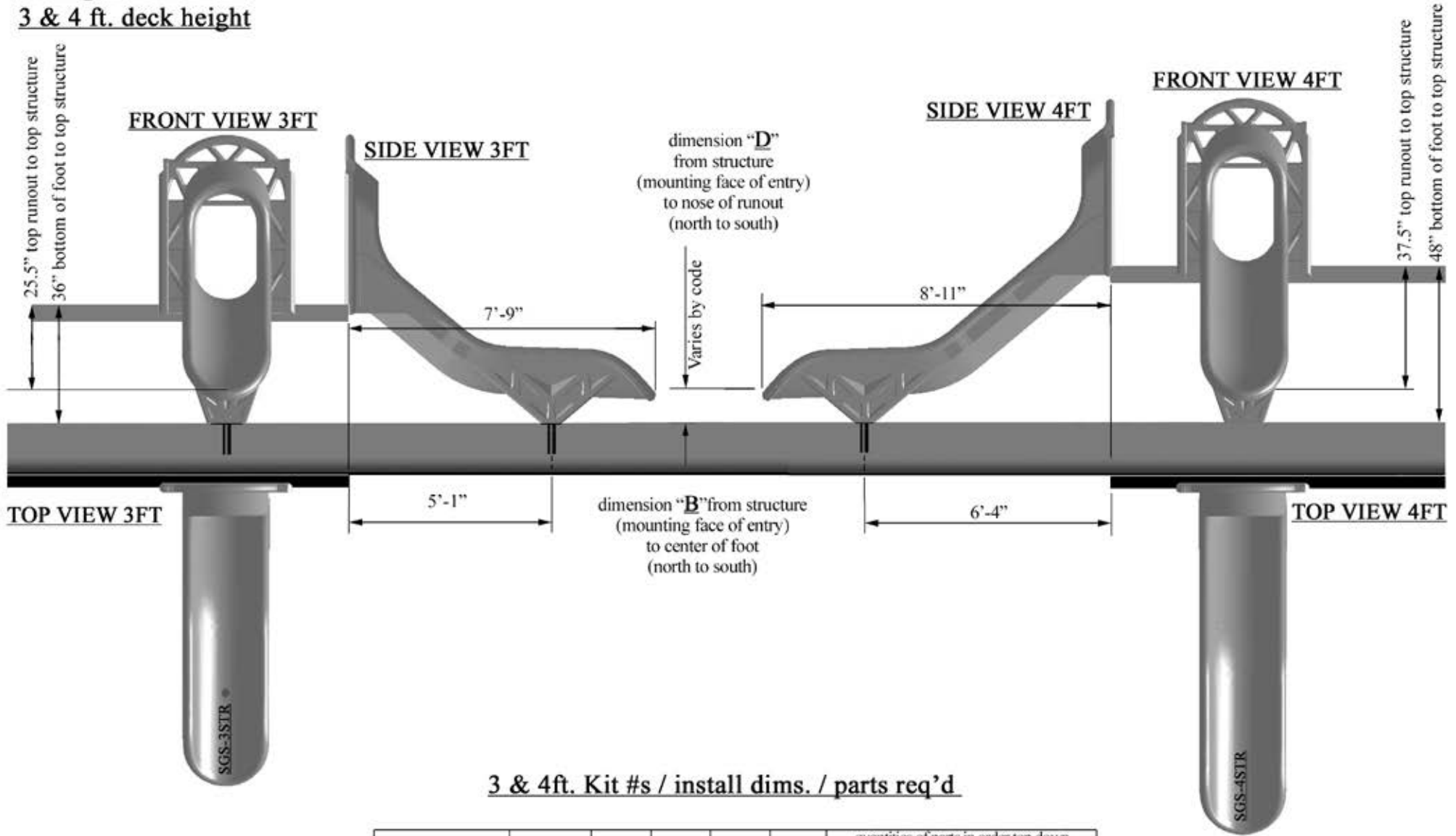


1 1/2" Button Cap Torx, Flat Washer (x3)



**Star Gate Sectional Slide
Configurations from
3 & 4 ft. deck height**

3 & 4 ft Slides



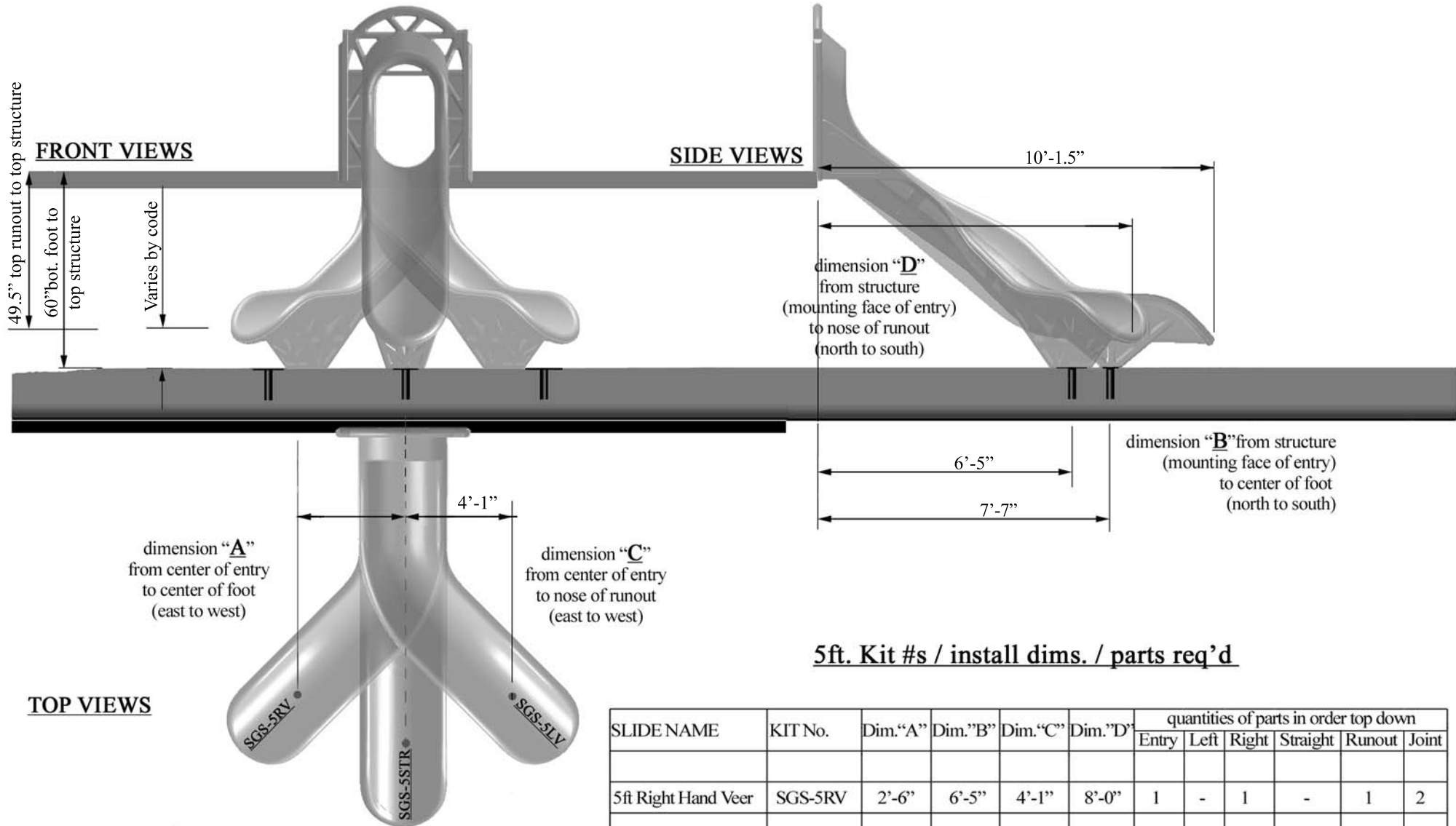
3 & 4ft. Kit #s / install dims. / parts req'd

SLIDE NAME	KIT No.	Dim."A"	Dim."B"	Dim."C"	Dim."D"	quantities of parts in order top down					
						Entry	Left	Right	Straight	Runout	Joint
3ft Straight	SGS-3STR	0"	5'-1"	0"	7'-9"	1	-	-	-	1	1
4ft Straight	SGS-4STR	0"	6'-4"	0"	8'-11"	1	-	-	1	1	2



**Star Gate Sectional Slide
Configurations from
5 ft. deck height**

5ft Slides



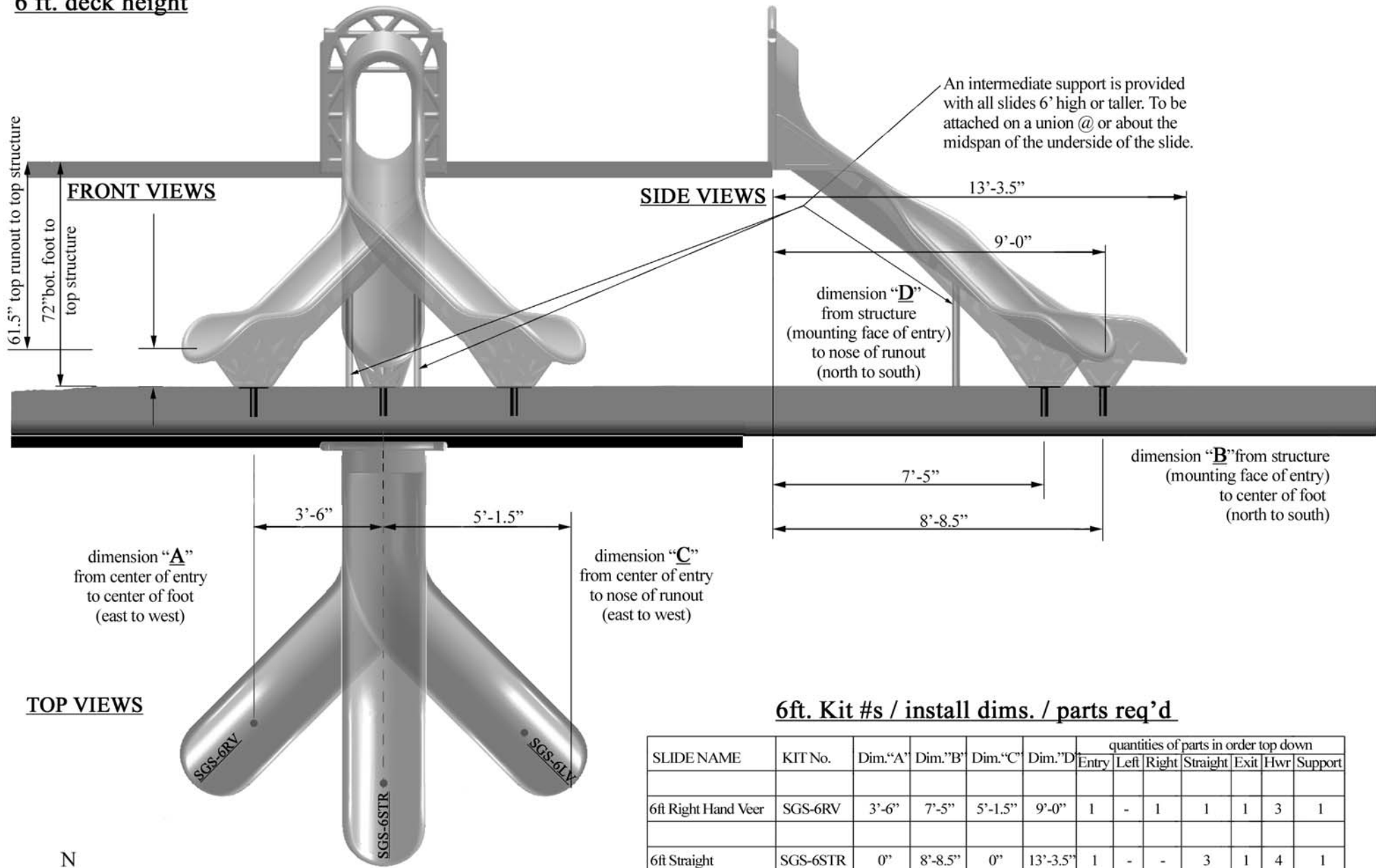
5ft. Kit #s / install dims. / parts req'd

SLIDE NAME	KIT No.	Dim."A"	Dim."B"	Dim."C"	Dim."D"	quantities of parts in order top down					
						Entry	Left	Right	Straight	Runout	Joint
5ft Right Hand Veer	SGS-5RV	2'-6"	6'-5"	4'-1"	8'-0"	1	-	1	-	1	2
5ft Straight	SGS-5STR	0"	7'-7"	0"	10'-1.5"	1	-	-	2	1	3
5ft Left Hand Veer	SGS-5LV	2'-6"	6'-5"	4'-1"	8'-0"	1	1	-	-	1	2



**Star Gate Sectional Slide
Configurations from
6 ft. deck height**

6ft Slides



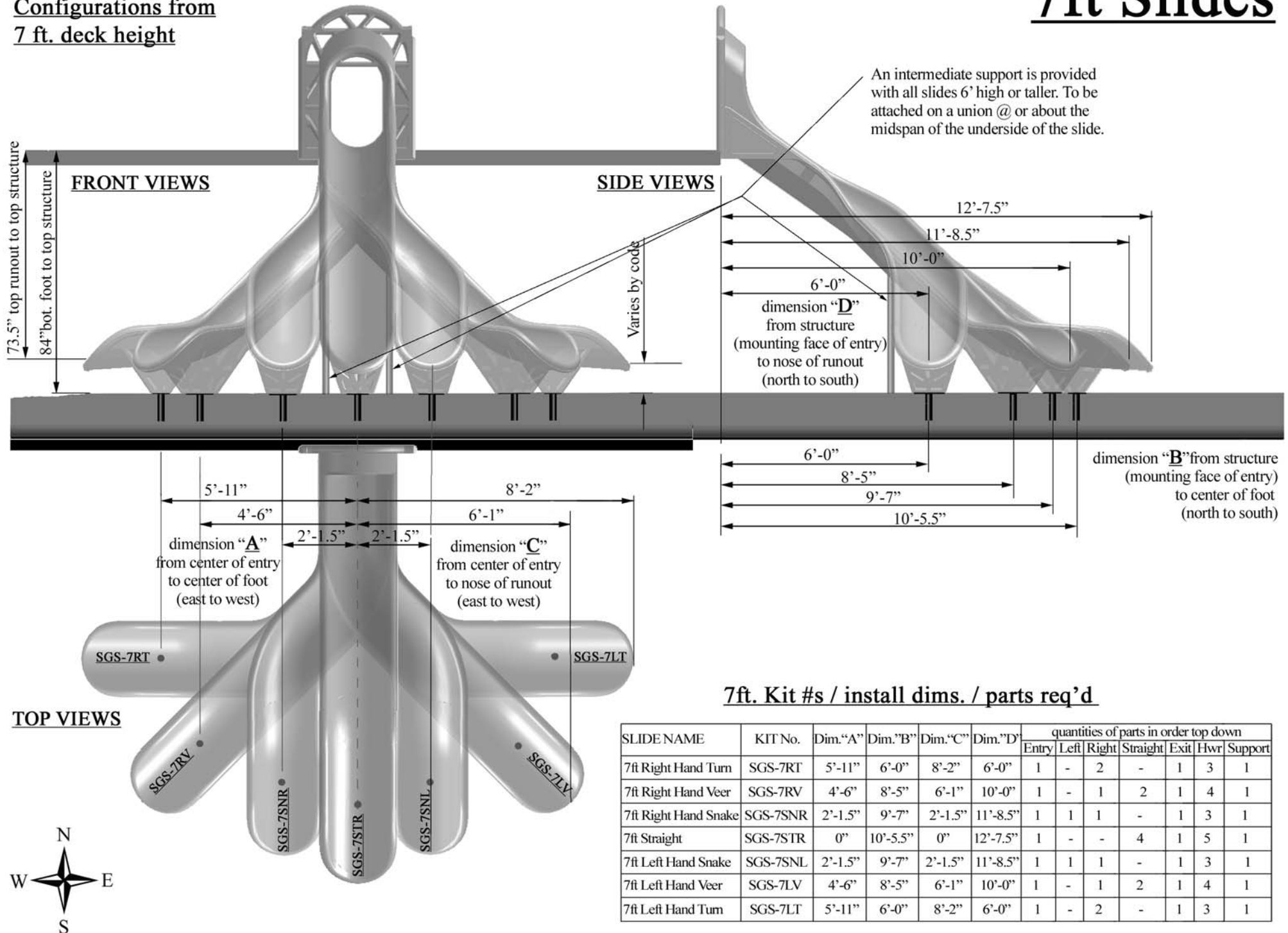
6ft. Kit #s / install dims. / parts req'd

SLIDE NAME	KIT No.	Dim."A"	Dim."B"	Dim."C"	Dim."D"	quantities of parts in order top down						
						Entry	Left	Right	Straight	Exit	Hwr	Support
6ft Right Hand Veer	SGS-6RV	3'-6"	7'-5"	5'-1.5"	9'-0"	1	-	1	1	1	3	1
6ft Straight	SGS-6STR	0"	8'-8.5"	0"	13'-3.5"	1	-	-	3	1	4	1
6ft Left Hand Veer	SGS-6LV	3'-6"	7'-5"	5'-1.5"	9'-0"	1	1	-	1	1	3	1



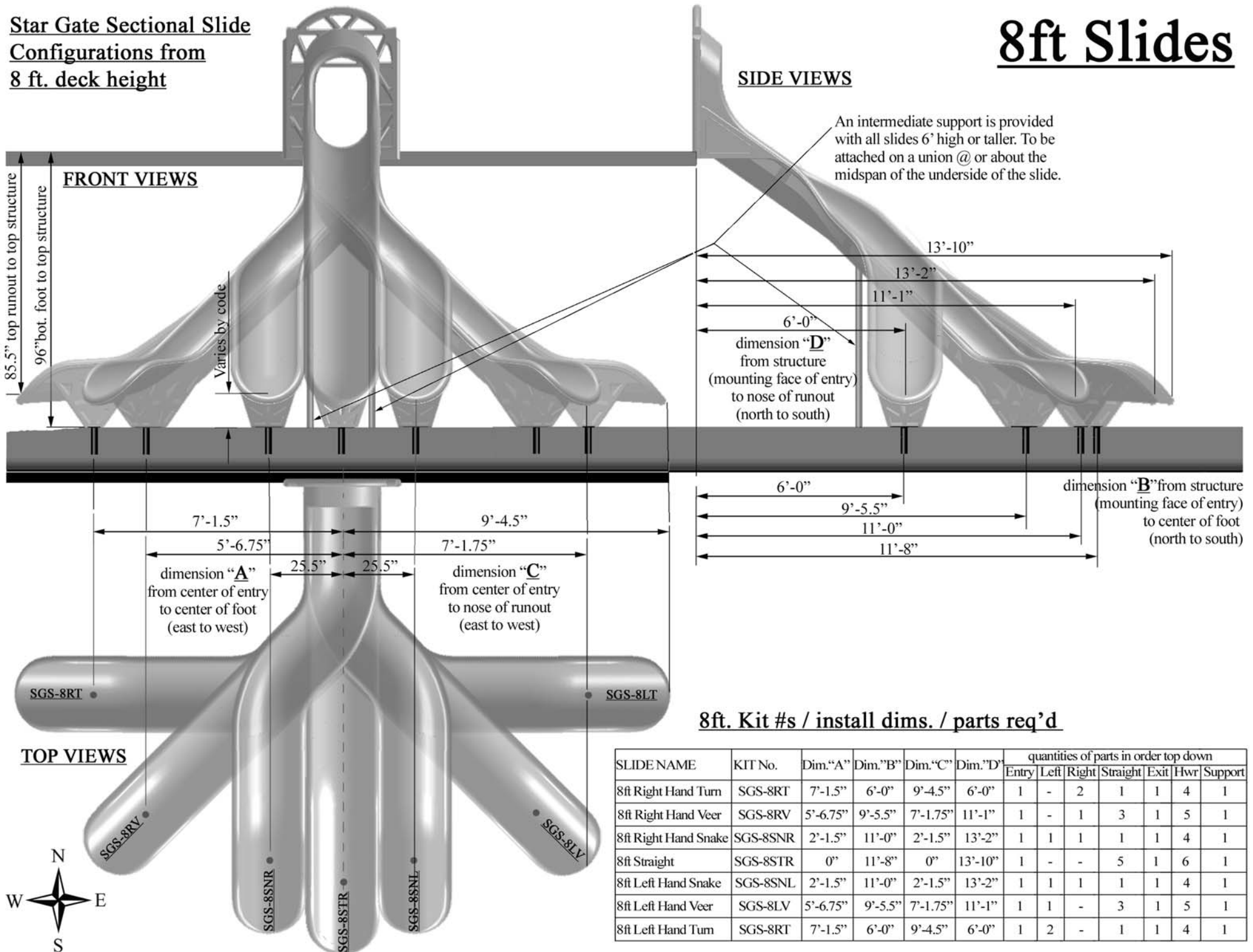
**Star Gate Sectional Slide
Configurations from
7 ft. deck height**

7ft Slides



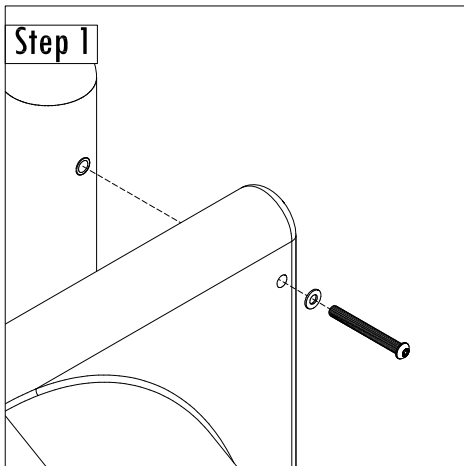
Star Gate Sectional Slide Configurations from 8 ft. deck height

8ft Slides



Parts List

- 1 PPN00800 B4 Double Slide Hood
- 4 2T-0616 - Button Cap Torx w/ Pin 3/8" x 4"
- 4 5F-0500 - Flat Washer 5/16" S/S w/ 3/8" Hole



4" Button Cap, Flat Washer (x4)

