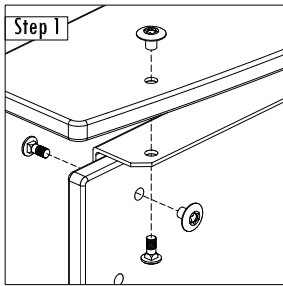
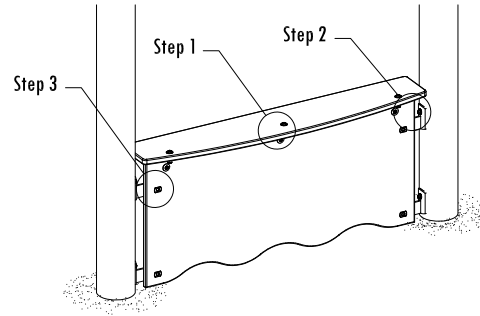


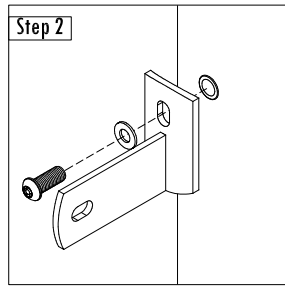
Parts List

- 4 BRK004000 Sheet Plastic Bracket
- 1 SHP00700 PlayCounter Panel
- 1 SHP01300 PlayCounter Top
- 1 PlayCounter Bracket

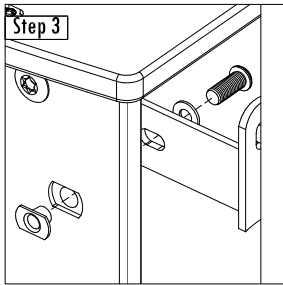
- 6 1C-0503 - Carriage Bolt 5/16" x 3/4"
- 8 2T-0604 - Button Cap Torx w/ Pin 3/8" x 1"
- 6 4C-0500 - Camtainer Nut 5/16"
- 4 4D-0600 - T Nut 3/8" x 3/4"
- 8 5F-0500 - Flat Washer 5/16" S/S w/ 3/8" Hole



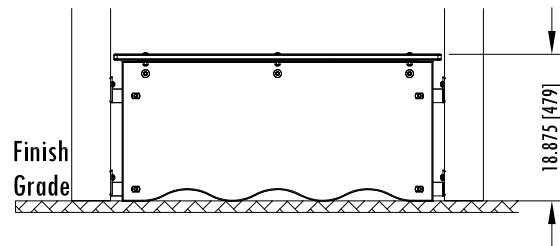
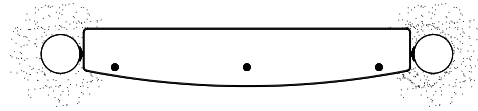
3/4" Carriage Bolt, Camtainer Nut (x6)



1" Button Cap, Flat Washer (x4)

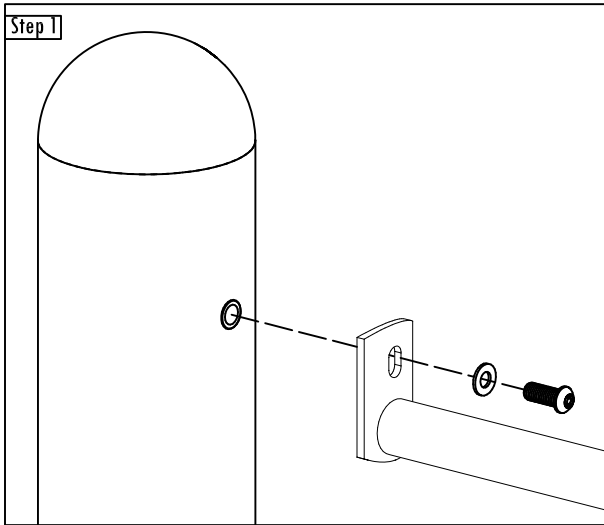


1" Button Cap, Flat Washer, T Nut (x4)

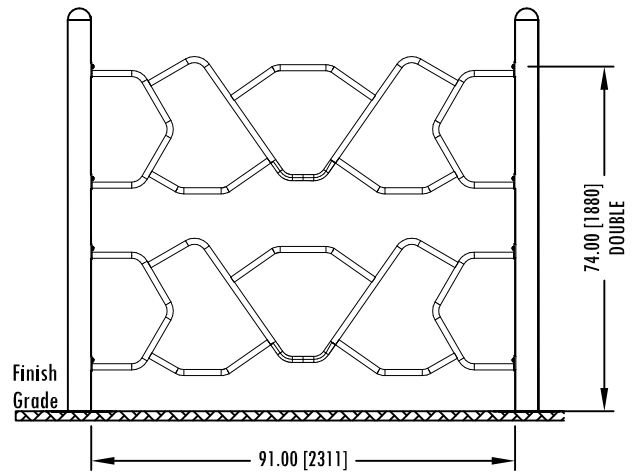
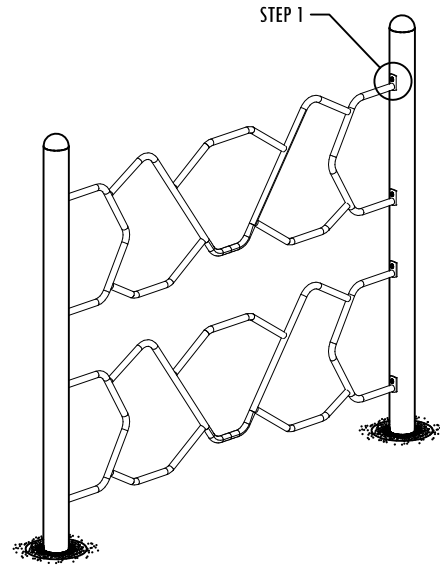


Parts List

CLM26200	Hexagonal Link
2T-0604	Button Cap Torx w/ Pin 3/8" x 1"
5F-0500	Flat Washer 5/16" S/S w/ 3/8" Hole



1" Button Cap, Flat Washer



This Instruction Applies To The Following Modules :

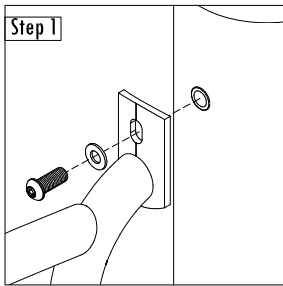
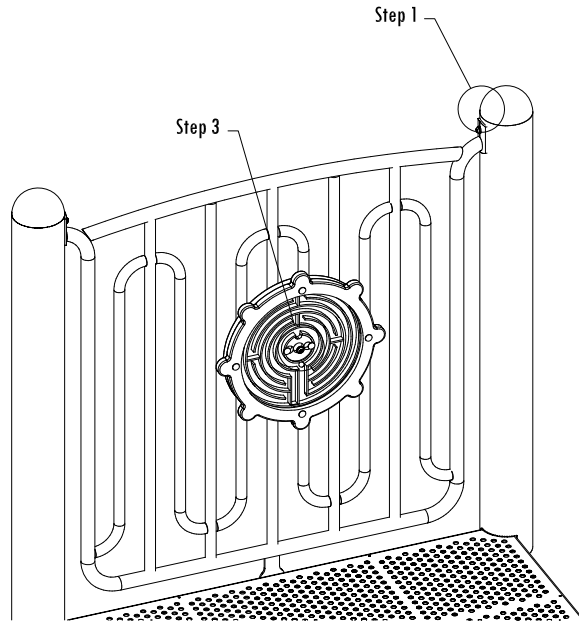
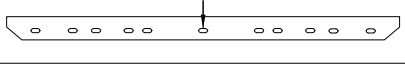
- AP032 Steering Wheel Panel
- AP065 PlayShip Helm Panel
- AP144 Maze Wheel on Vertical Rail Panel
- AP162 Balance Ball Game on Vertical Rail Panel

Parts List

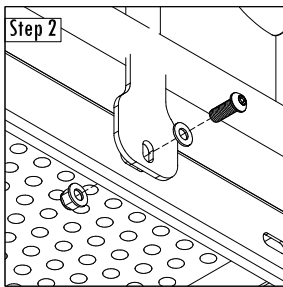
- 1 BPN00100 Vertical Rail
- 1 Wheel or Game
- 1 Universal Wheel Parts

- 3 2T-0604 - Button Cap Torx w/ Pin 3/8" x 1"
- 1 2T-0614 - Button Cap Torx w/ Pin 3/8" x 2-1/2"
- 1 4N-0600 - Locking Flange Nut 3/8"
- 1 4L-0600 - Lock Nut w/ Nylon Locking 3/8"
- 4 5F-0500 - Flat Washer 5/16" S/S w/ 3/8" Hole

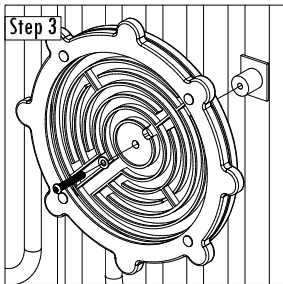
DECK HOLES USED



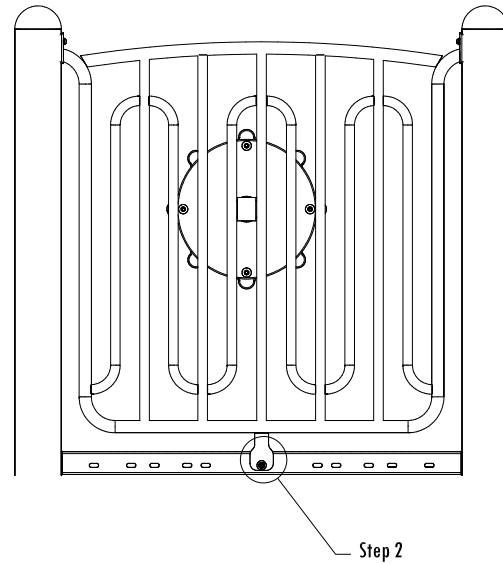
1" Button Cap, Flat Washer (x2)



1" Button Cap, Flat Washer, Locking Flange Nut (x2)



2-1/2" Button Cap, Flat Washer (x1)



PLAYSTEEL SQ N/A	PLAYSTEEL MAX B5-AP032-03 B5-AP065-03 B5-AP144-03 B5-AP162-02	PLAYSTEEL FIT B3-AP032-05 B4-AP032-03 B3-AP065-04 B4-AP065-03 B3-AP144-05 B4-AP144-03 B3-AP162-02 B4-AP162-02	ORBIS N/A	PLAYTOTS N/A	PAGE 1 OF 1
---------------------	---	---	--------------	-----------------	-------------

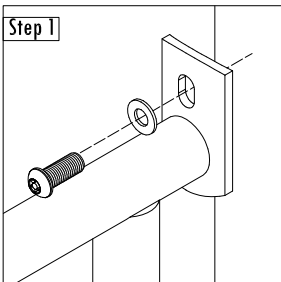
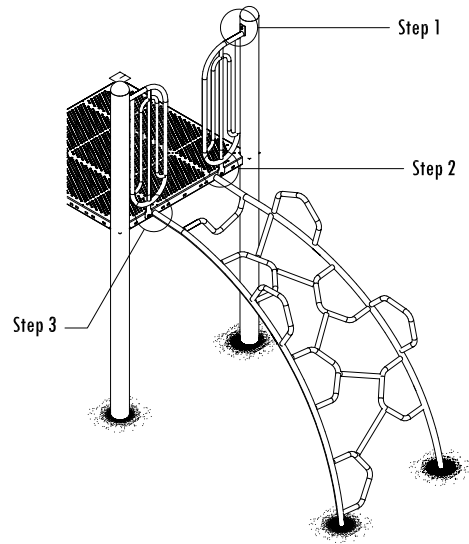
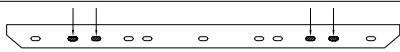
This Instruction Applies To The Following Modules :

- CB713 Stegosaurus Climber 5'
- CB714 Stegosaurus Climber 6'
- CB715 Stegosaurus Climber 7'

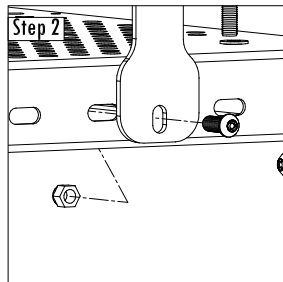
Parts List

1		StegosaurusClimber
2	BPN00200	Safety Rail
4	2T-0604	Button Cap Torx w/ Pin 3/8" x 1"
2	2T-0608	Button Cap Torx w/ Pin 3/8" x 2"
2	4L-0601	SSLock Nut 3/8"
8	5F-0500	Flat Washer 5/16" S/S w/ 3/8" Hole

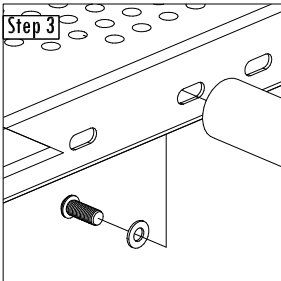
DECK HOLES USED



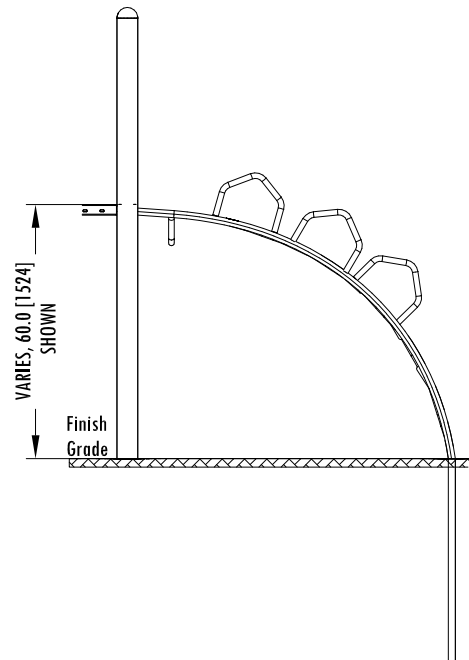
1" Button Cap Torx, Flat Washer (x2)



1" Button Cap Torx, Flat Washer, Lock Nut (x2)



1" Button Cap Torx, Flat Washer (x2)



This Instruction Applies To The Following Modules :

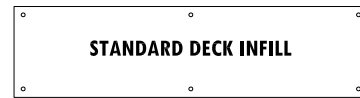
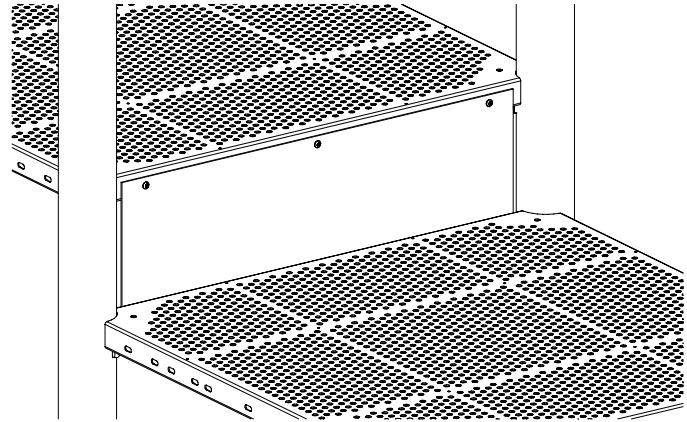
IN001	Infill Panel 6"	IN011	Infill Panel 8"
IN002	Infill Panel 12"	IN012	Infill Panel 8" - Split Deck
IN004	Infill Panel 24"	IN013	Infill Panel 48"
IN006	Infill Panel 36"	IN014	Infill Panel 16"
IN008	Infill Panel 12" - Split Deck	IN015	Infill Panel 6" - Split Deck

Parts List

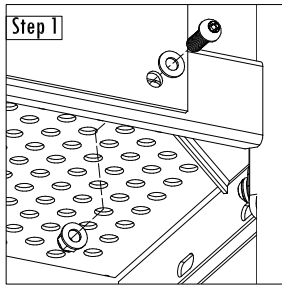
- 1 Steel Infill Panel
- 6 2T-0604 - Button Cap Torx w/ Pin 3/8" x 1"
- 6 4N-0600 - Locking Flange Nut 3/8"
- 6 5F-0500 - Flat Washer 5/16" S/S w/ 3/8" Hole

Installation Notes

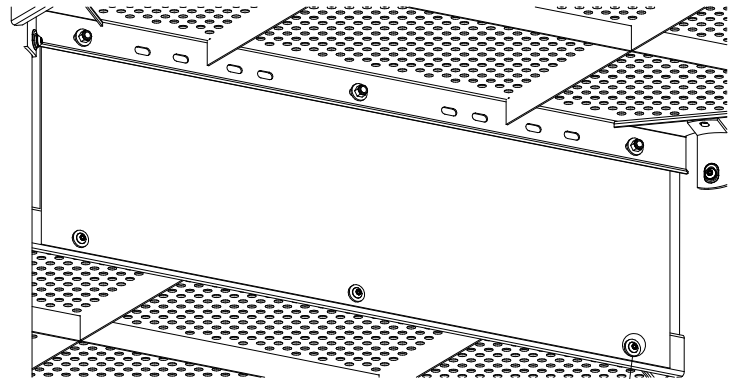
6", 8", 12", 16", 24", 36", and 48" infills are to be installed between decks with a 6", 8", 12", 16", 24", 36" and 48" height difference, respectively.
 Infill Panels come in 2 different widths depending on deck configurations. See Diagram to the right for proper configuration sizes.



DECK HOLES USED



1" Button Cap Torx, Flat Washer, Locking Flange Nut (x6)



Step 1

OFFICE USE ONLY

PLAYSTEEL SQ N/A	PLAYSTEEL MAX B5-IN001-01 B5-IN002-01 B5-IN004-01 B5-IN006-01 B5-IN008-01 B5-IN011-01 B5-IN012-00 B5-IN013-01	B5-IN014-01 B5-IN015-01	PLAYSTEEL FIT B3-IN001-01 B3-IN002-01 B3-IN004-01 B3-IN006-01 B3-IN008-01 B3-IN011-01 B3-IN012-00 B3-IN013-01	B3-IN014-01 B3-IN015-01 B4-IN002-01	ORBIS N/A	PLAYTOTS N/A	PAGE 1 OF 1
---------------------	---	----------------------------	---	---	--------------	-----------------	-------------

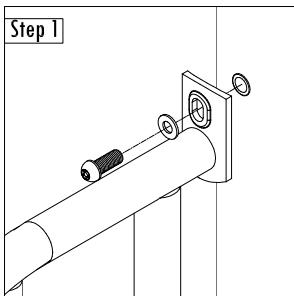
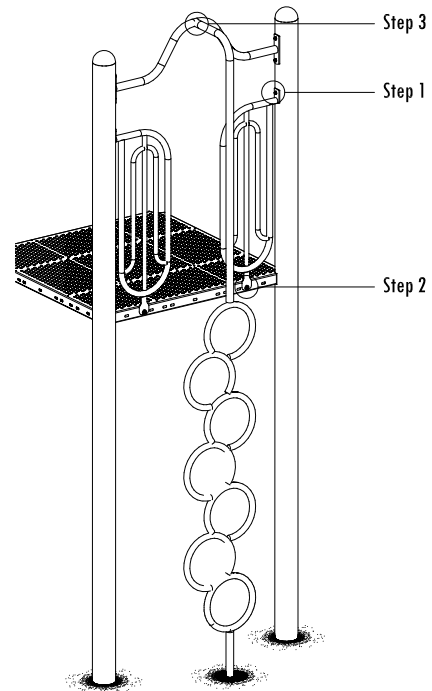
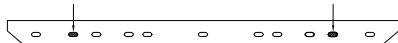
This Instruction Applies To The Following Modules :

- CB443 Ring Climber 3'
- CB444 Ring Climber 4'
- CB445 Ring Climber 5'
- CB446 Ring Climber 6'
- CB447 Ring Climber 7'
- CB448 Ring Climber 8'

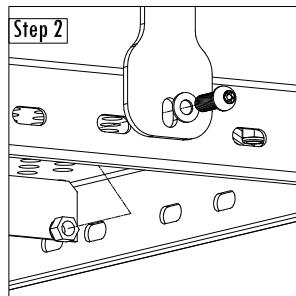
Parts List

- 1 Ring Climber
 - 1 Pole Connector
 - 2 Safety Railing
-
- 8 2T-0604 - Button Cap Torx w/ Pin 3/8" x 1"
 - 1 2T-0610 - Button Cap Torx w/ Pin 3/8" x 2-1/2"
 - 2 4L-0600 - Lock Nut w/ Nylon Locking 3/8"
 - 11 5F-0500 - Flat Washer 5/16" S/S w/ 3/8" Hole

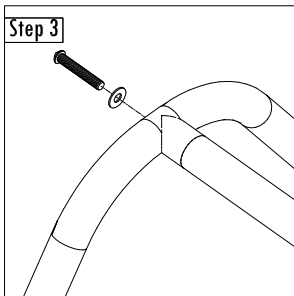
DECK HOLES USED



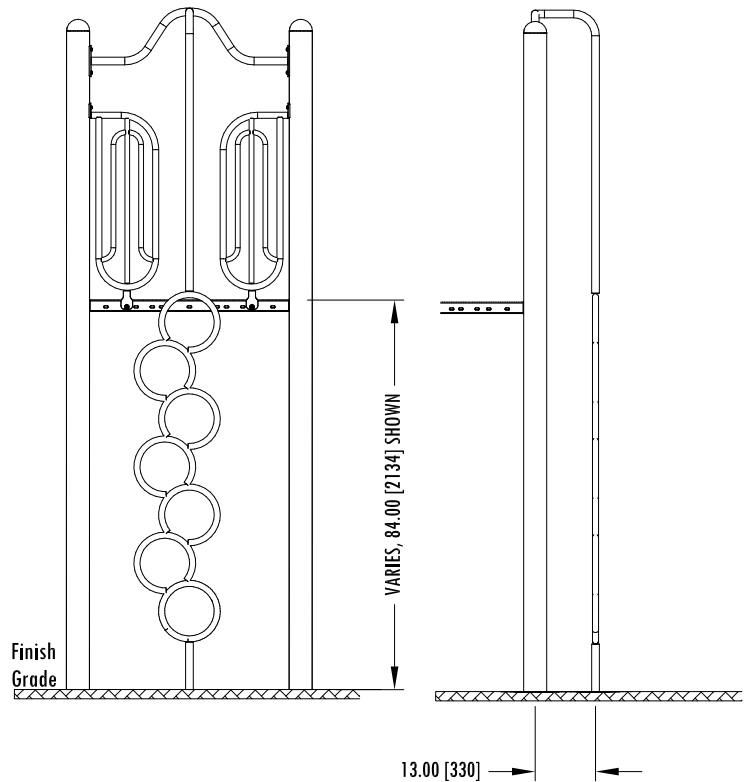
1" Button Cap Torx, Flat Washer (x6)



1" Button Cap Torx, Flat Washer, Lock Nut (x2)



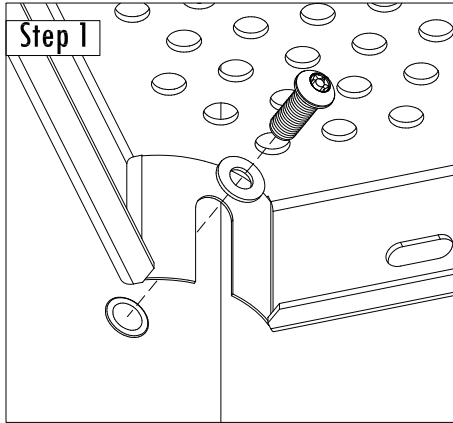
2-1/2" Button Cap Torx, Flat Washer (x1)



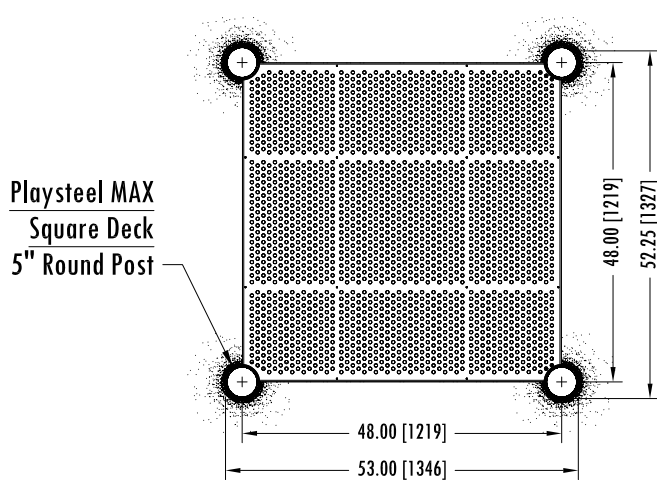
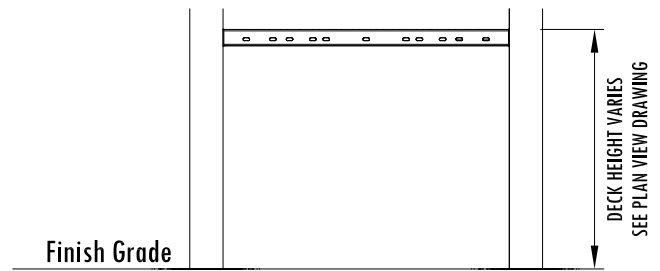
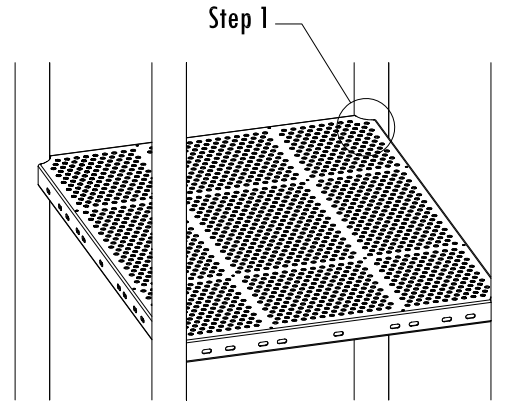
PLAYSTEEL SQ N/A	PLAYSTEEL MAX B5-CB443-01 B5-CB444-01 B5-CB445-01 B5-CB446-01 B5-CB447-01 B5-CB448-01	PLAYSTEEL FIT B3-CB443-01 B3-CB444-01 B3-CB445-01 B3-CB446-01 B3-CB447-01 B3-CB448-01	B4-CB443-01 B4-CB444-01 B4-CB445-01 B4-CB446-01 B4-CB447-01 B4-CB448-01	ORBIS N/A	PLAYTOTS N/A	PAGE 1 OF 1
---------------------	---	---	--	--------------	-----------------	-------------

Parts List

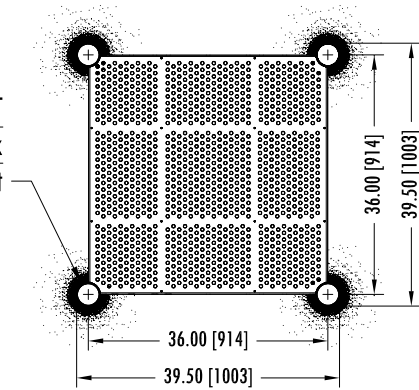
1		Deck
4	2T-0604	Button Cap Torx w/ Pin 3/8" x 1"
4	5F-0500	Flat Washer 5/16" S/S w/ 3/8" Hole



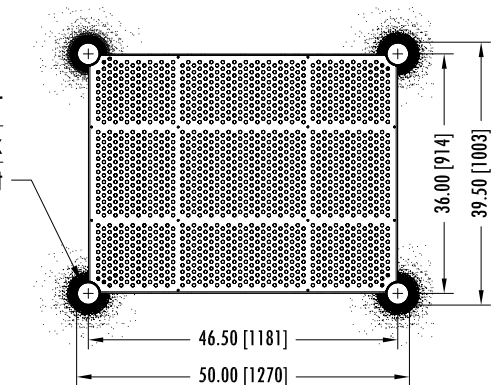
1" Button Cap, Flat Washer (x4)



Playsteel FIT
Square Deck
3.5" Round Post



Playsteel FIT
Rectangle Deck
3.5" Round Post

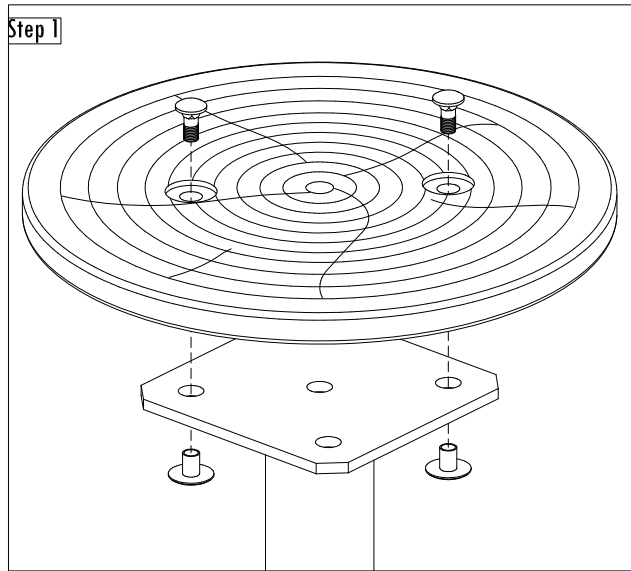
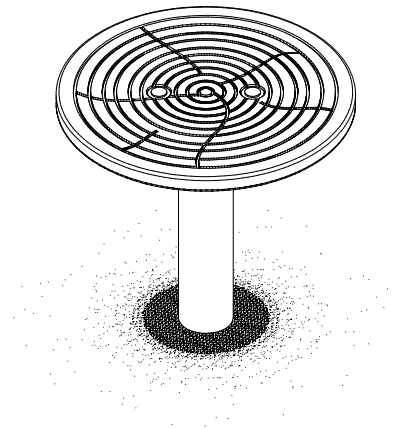


This Instruction Applies To The Following Modules :

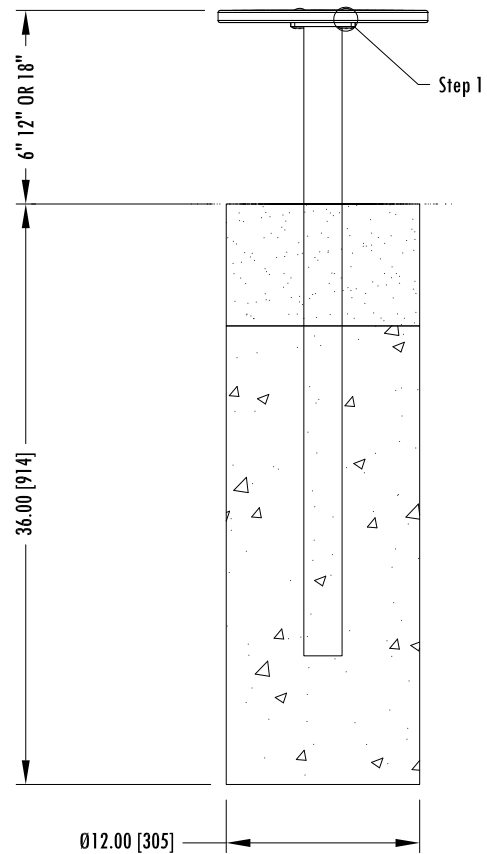
BA030	Log Step 6"
BA031	Log Step 12"
BA032	Log Step 18"

Parts List

1	SHP420	Log Step Plastic
1		Ground Leg
2	1C-0503	Carriage Bolt 5/16" x 3/4"
2	4C-0500	Camtainer Nut 5/16"



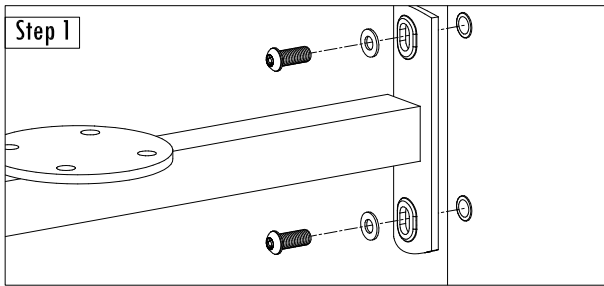
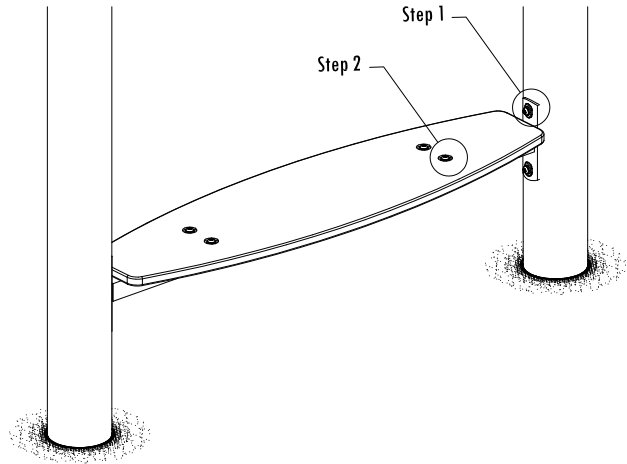
3/4" Carriage Bolt, Camtainer Nut (x2)



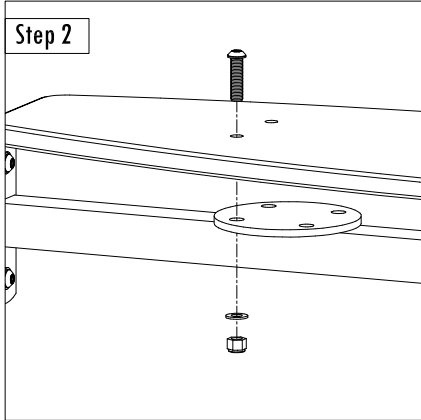
Parts List

- 1 FRM01500 Double Pod Seat Frame
- 1 SHP04100 PlaySeat Plastic

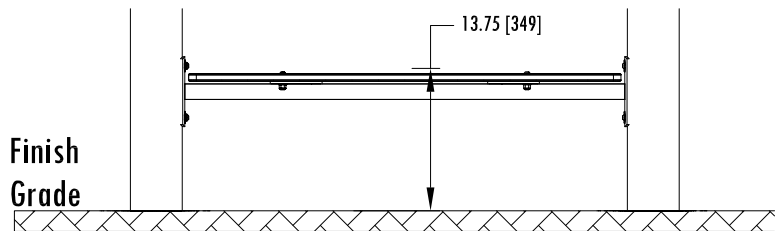
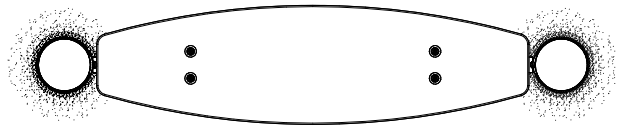
- 4 2T-0604 - Button Cap Torx w/ Pin 3/8" x 1"
- 4 2T-0606 - Button Cap Torx w/ Pin 3/8" x 1-1/2"
- 4 4L-0600 - Lock Nut w/ Nylon Locking 3/8"
- 12 5F-0500 - Flat Washer 5/16" S/S w/ 3/8" Hole



1" Button Cap, Flat Washer (x4)



1-1/2" Button Cap, Flat Washers, Lock Nut (x4)

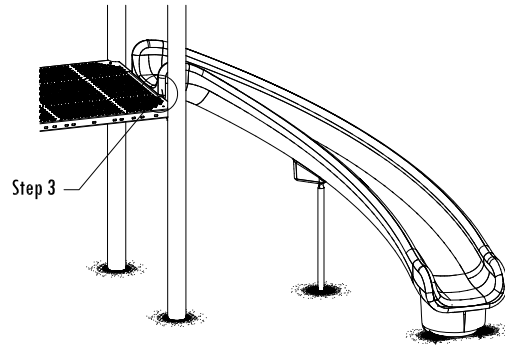


Finish
Grade

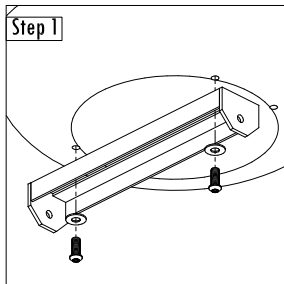
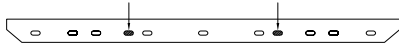
Parts List

- 1 PSL03300 The Big Curve Twister Slide 5'
- 1 GND00100 Universal Ground Leg Mount
- 2 GND00200 Universal Ground Leg
- 1 GND01500 Slide Mid Support Mount
- 1 GND08300 Twister Slide Mid Support Leg

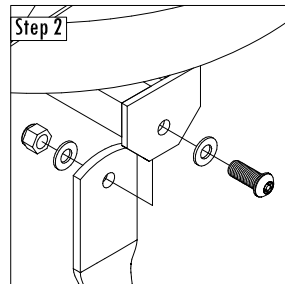
- 7 2T-0604 - Button Cap Torx w/ Pin 3/8" x 1"
- 2 2T-0608 - Button Cap Torx w/ Pin 3/8" x 2"
- 3 4L-0600 - Lock Nut w/ Nylon Locking 3/8"
- 12 5F-0500 - Flat Washer 5/16" S/S w/ 3/8" Hole



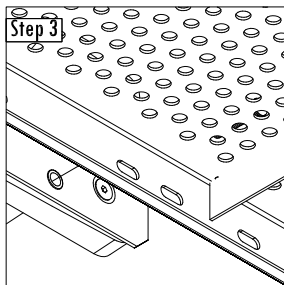
DECK HOLES USED



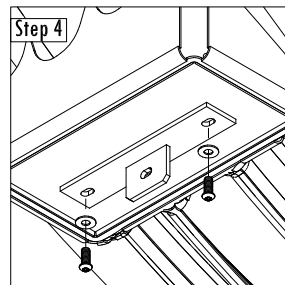
1" Button Cap Torx, Flat Washer (x2)



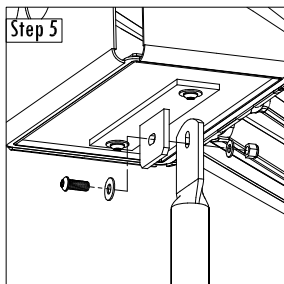
1" Button Cap Torx, Flat Washers, Lock Nut (x2)



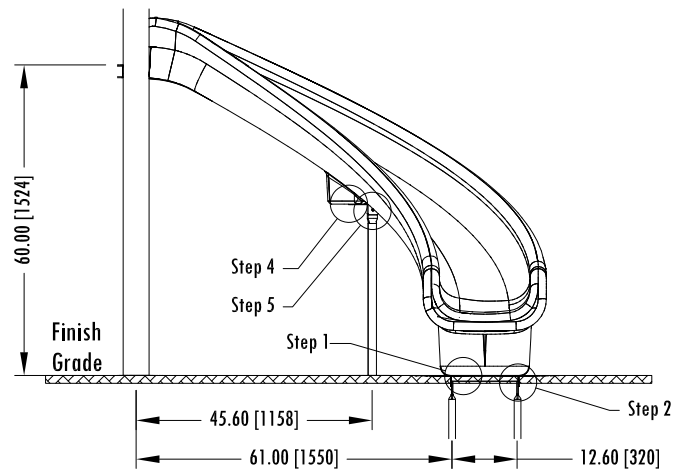
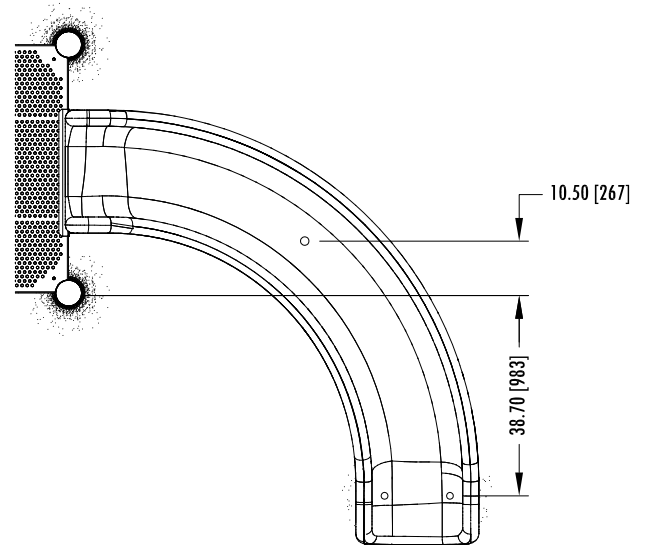
2" Button Cap Torx, Flat Washer (x2)



1" Button Cap Torx, Flat Washer (x2)



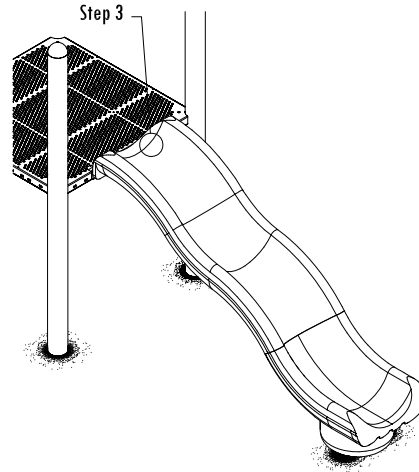
1" Button Cap Torx, Flat Washers, Lock Nut



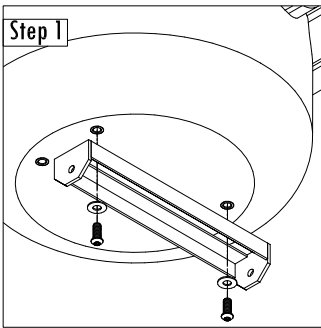
Parts List

- 1 PSL01700 4' Poly Wave Slide
- 1 GND00100 Universal Ground Leg Mount
- 2 GND00200 Universal Ground Leg

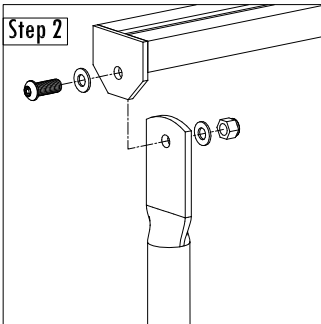
- 4 2T-0604 - Button Cap Torx w/ Pin 3/8" x 1"
- 2 2T-0608 - Button Cap Torx w/ Pin 3/8" x 2"
- 2 4L-0600 - Lock Nut w/ Nylon Locking 3/8"
- 8 5F-0500 - Flat Washer 5/16" S/S w/ 3/8" Hole



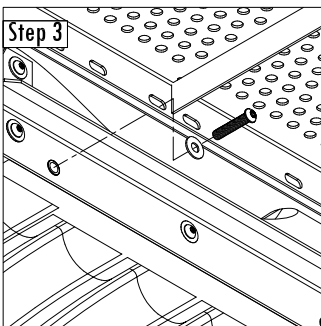
DECK HOLES USED



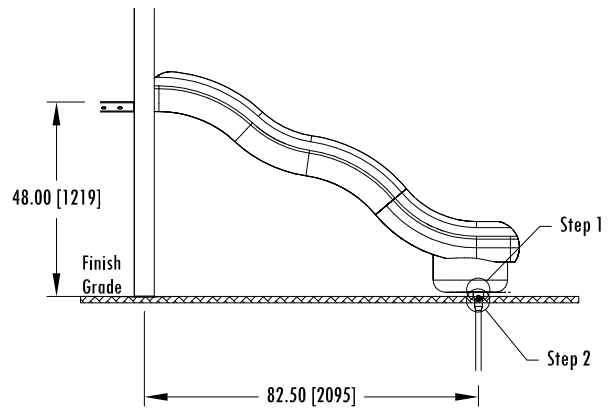
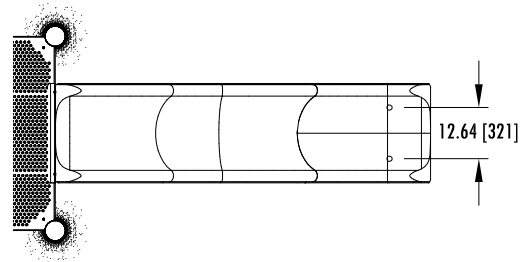
1" Button Cap Torx, Flat Washer (x2)



1" Button Cap Torx, Flat Washer, Lock Nut (x2)

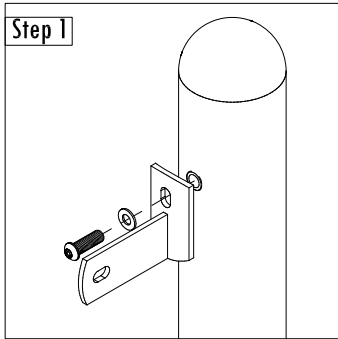
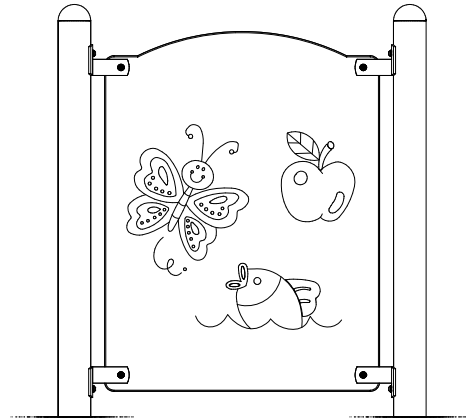


2" Button Cap Torx, Flat Washer (x2)

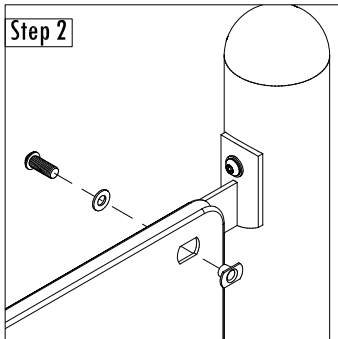


Parts List

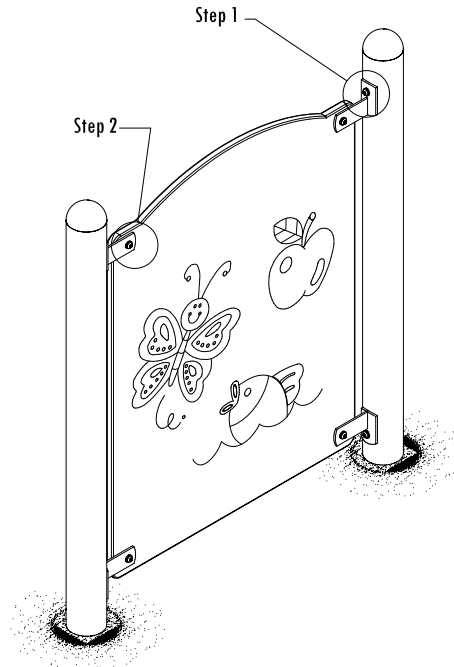
- 1 Sheet Plastic Panel
- 4 BRK00400 Sheet Plastic Bracket
- 8 2T-0604 - Button Cap Torx w/ Pin 3/8" x 1"
- 4 4D-0600 - T Nut 3/8"
- 8 5F-0500 - Flat Washer 5/16" S/S w/ 3/8" Hole



1" Button Cap, Flat Washer (x4)



1" Button Cap, Flat Washer, T Nut (x4)



OFFICE USE ONLY

12/20/2012

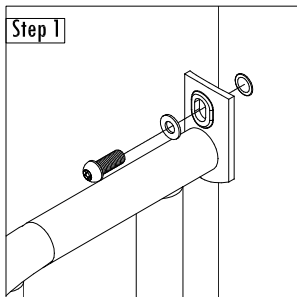
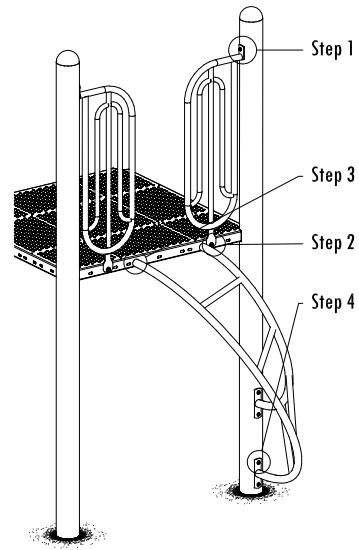
PLAYSTEEL FIT:

B3 MODULES	B3-AP002-01	B3-AP017-01	B3-AP036-01	B3-AP067-01	B3-AP084-01	B3-AP111-01	B3-AP129-02	B3-AP150-00	B3-AP157-00
	B3-AP004-01	B3-AP019-01	B3-AP037-01	B3-AP068-01	B3-AP086-01	B3-AP114-01	B3-AP130-02	B3-AP151-00	B3-AP163-00
	B3-AP006-01	B3-AP021-01	B3-AP058-01	B3-AP069-01	B3-AP093-00	B3-AP116-01	B3-AP132-02	B3-AP152-00	
	B3-AP010-01	B3-AP023-01	B3-AP059-01	B3-AP072-01	B3-AP096-01	B3-AP118-01	B3-AP143-01	B3-AP153-00	
	B3-AP013-01	B3-AP027-01	B3-AP062-01	B3-AP078-01	B3-AP104-01	B3-AP119-01	B3-AP145-01	B3-AP154-00	
	B3-AP015-01	B3-AP034-01	B3-AP064-01	B3-AP080-01	B3-AP108-01	B3-AP121-01	B3-AP146-01	B3-AP156-00	
	B4-AP002-01	B4-AP017-01	B4-AP036-01	B4-AP067-01	B4-AP084-01	B4-AP111-01	B4-AP129-01	B4-AP146-01	B4-AP156-00
	B4-AP004-01	B4-AP019-01	B4-AP037-01	B4-AP068-01	B4-AP086-01	B4-AP114-01	B4-AP130-01	B4-AP150-00	B4-AP157-00
B4-AP006-01	B4-AP021-01	B4-AP058-01	B4-AP069-01	B4-AP093-00	B4-AP116-01	B4-AP132-01	B4-AP151-00	B4-AP163-00	
B4-AP010-01	B4-AP023-01	B4-AP059-01	B4-AP072-01	B4-AP096-01	B4-AP118-01	B4-AP139-01	B4-AP152-00		
B4-AP013-01	B4-AP027-01	B4-AP062-01	B4-AP078-01	B4-AP104-01	B4-AP119-01	B4-AP143-01	B4-AP153-00		
B4-AP015-01	B4-AP034-01	B4-AP064-01	B4-AP080-01	B4-AP108-01	B4-AP121-01	B4-AP145-01	B4-AP154-00		

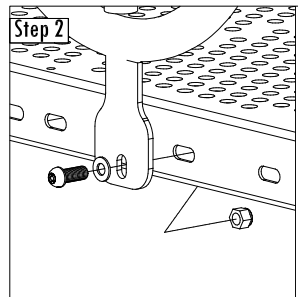
Parts List

- 1 Twisted Arch Climber
- 2 Safety Railing

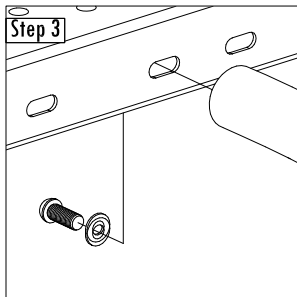
- 8 2T-0604 - Button Cap Torx w/ Pin 3/8" x 1"
- 2 2T-0610 - Button Cap Torx w/ Pin 3/8" x 2-1/2"
- 2 4L-0600 - Lock Nut w/ Nylon Locking 3/8"
- 10 5F-0500 - Flat Washer 5/16" S/S w/ 3/8" Hole



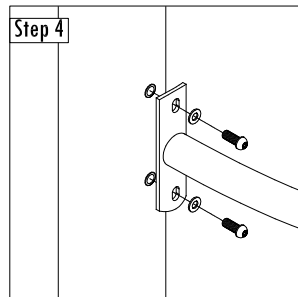
Step 1
1" Button Cap Torx, Flat Washer (x2)



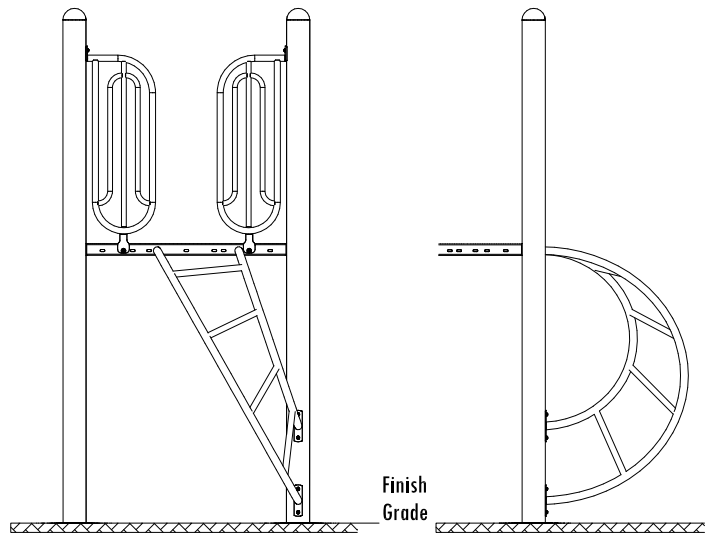
Step 2
1" Button Cap Torx, Flat Washer, Lock Nut (2)



Step 3
2" Button Cap Torx, Flat Washer (x2)



Step 4
1" Button Cap Torx, Flat Washer (x4)



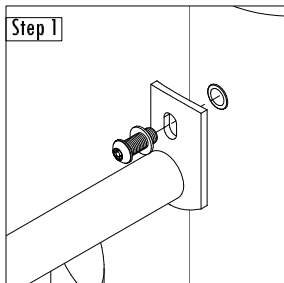
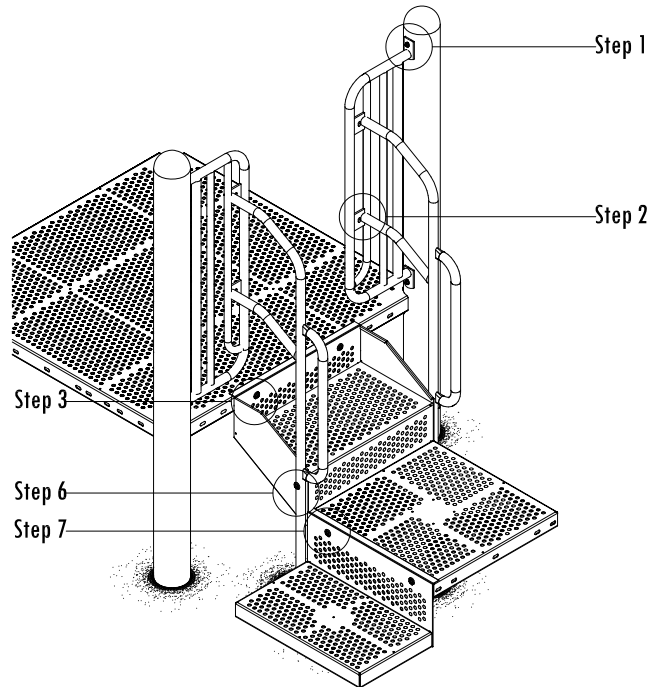
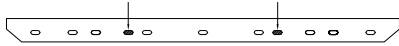
This Instruction Applies To The Following Modules :

- ST092 & ST102 - Transfer Station 2FT
- ST093 & ST103 - Transfer Station 3FT
- ST094 & ST104 - Transfer Station 4FT
- ST095 & ST105 - Transfer Station 5FT

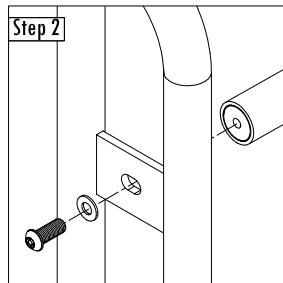
Parts List

2	GND1000	Transfer Station Ground Leg
2	HDR01300	Stair Barrier Rail- Upper 16"
2		Transfer Step Handrails
1	DCK02500	Transfer Deck
1		Accessible Stair
1	STR03500	Transfer Station Step
24	2T-0604	Button Cap Torx w/Pin 3/8" x 1"
2	2T-0608	Button Cap Torx w/Pin 3/8" x 2"
2	4L-0600	Lock Nut w/ Nylon Locking 3/8"
16	4N-0600	Locking Flange Nut 3/8"
26	5F-0500	Flat Washer 5/16" S/S w/ 3/8" Hole

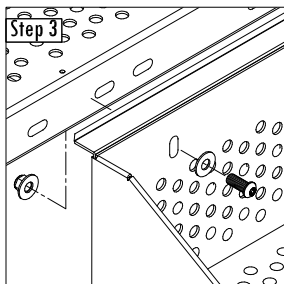
DECK HOLES USED



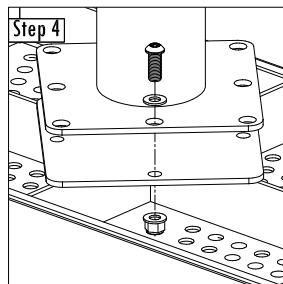
Step 1
1" Button Cap Torx, Flat Washer (x4)



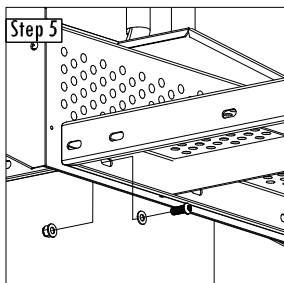
Step 2
1" Button Cap Torx, Flat Washer (x4)



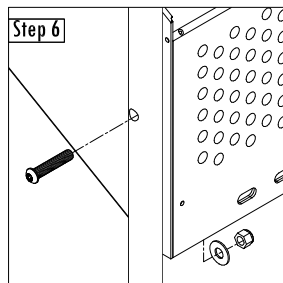
Step 3
1" Button Cap Torx, Flat Washers, Locking Flange Nut (x2)



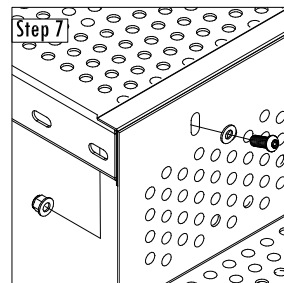
Step 4
1" Button Cap Torx, Flat Washers, Locking Flange Nut (x8)



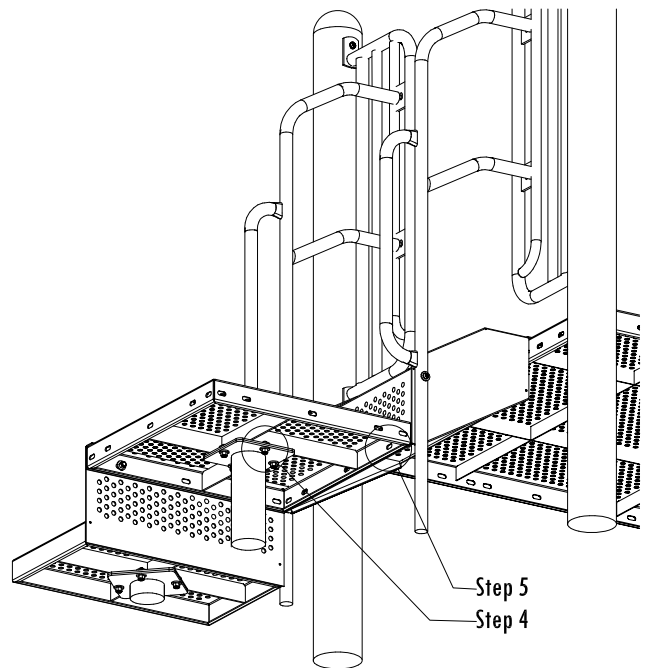
Step 5
1" Button Cap Torx, Flat Washers, Locking Flange Nut (x2)



Step 6
2" Button Cap Torx, Flat Washer, Lock Nut (x2)



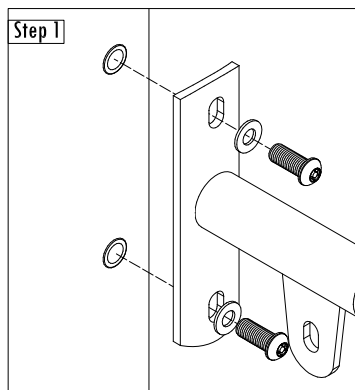
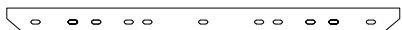
Step 7
1" Button Cap Torx, Flat Washers, Locking Flange Nut (x2)



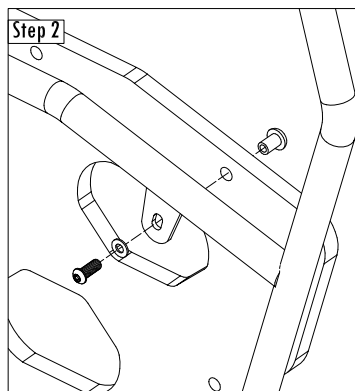
Parts List

- | | | |
|----|---------|------------------------------------|
| 1 | CLM251 | Vertical Leaf Climber Frame |
| 2 | SHP439 | Vertical Leaf Climber Plastic |
| 14 | 2T-0604 | Button Cap Torx w/ Pin 3/8" x 1" |
| 8 | 4R-0603 | Barrel Nut 3/8" x 3/4" |
| 14 | 5F-0500 | Flat Washer 5/16" S/S w/ 3/8" Hole |

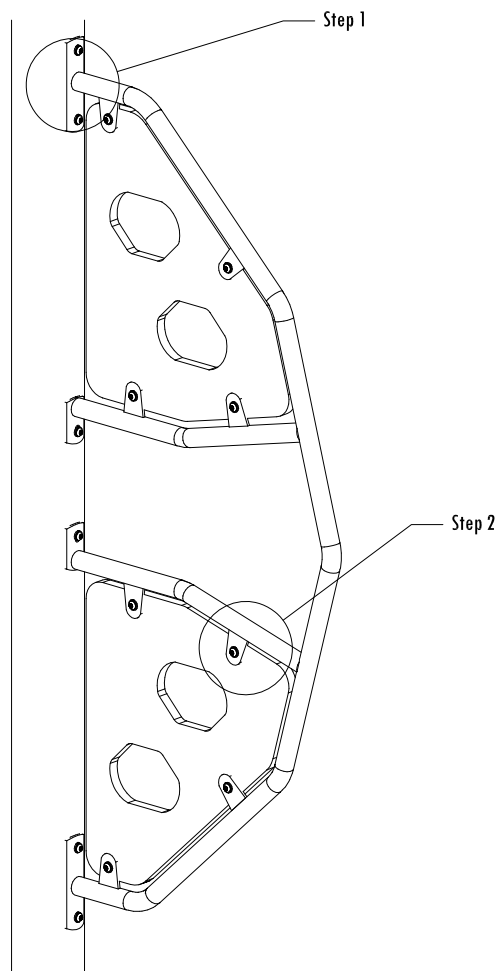
DECK HOLES USED



1" Button Cap Torx, Flat Washer (x6)



1" Button Cap Torx, Flat Washer, Barrel Nut (x8)

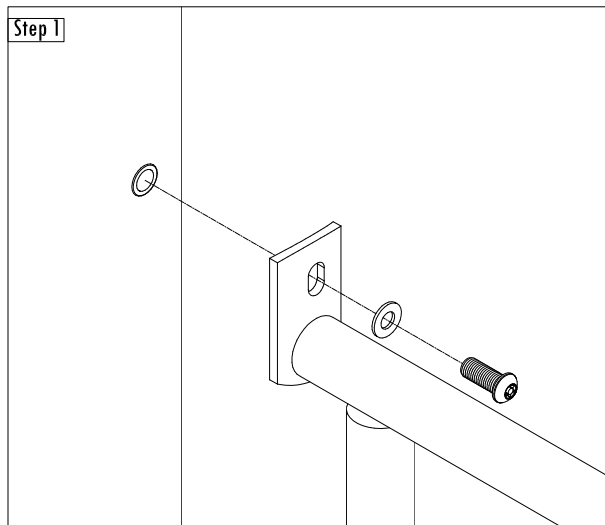
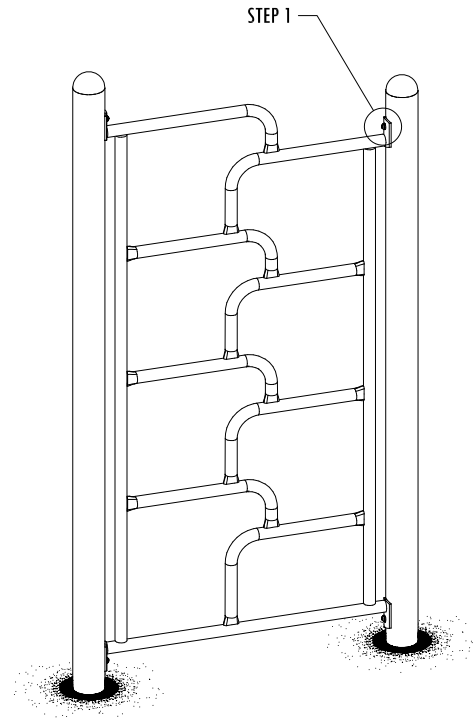


This Instruction Applies To The Following Modules :

- LK050 Callisto Link
- LK052 Jansky Wave Link
- LK053 Mini Planet Link
- LK054 Nebula Link
- LK055 Spacetime Curvature Link
- LK056 Spacewalker Link
- LK058 Vulcan Link

Parts List

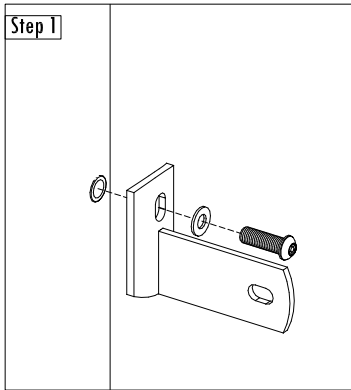
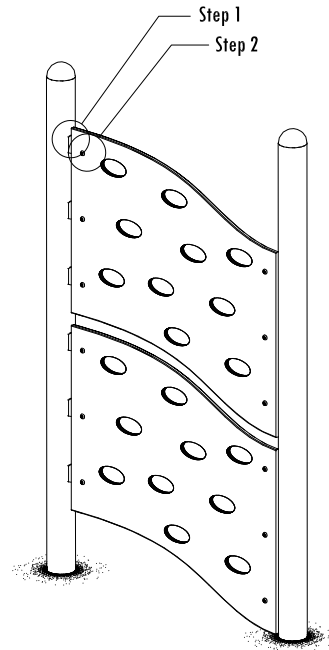
- 1 Link
- 4 2T-0604 - Button Cap Torx w/ Pin 3/8" x 1"
- 4 5F-0500 - Flat Washer 5/16" S/S w/ 3/8" Hole



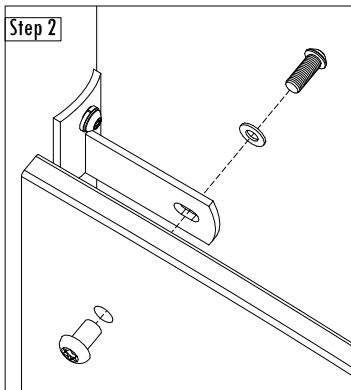
1" Button Cap, Flat Washer (x4)

Parts List

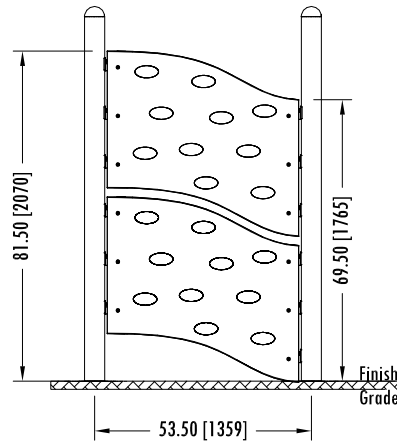
2		Double Wave Climber Panel
12	BRK00400	Sheet Plastic Bracket
24	2T-0604	Button Cap Torx w/ Pin 3/8" x 1"
12	4R-0603	Barrel Nut 3/8" x 3/4"
24	5F-0600	Flat Washer 3/8"



1" Button Cap Torx, Flat Washer (x12)

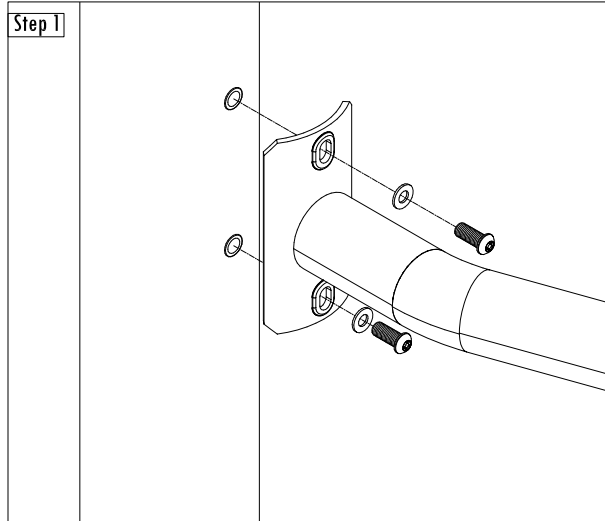


1" Button Cap Torx, Flat Washer, Barrel Nut (x12)

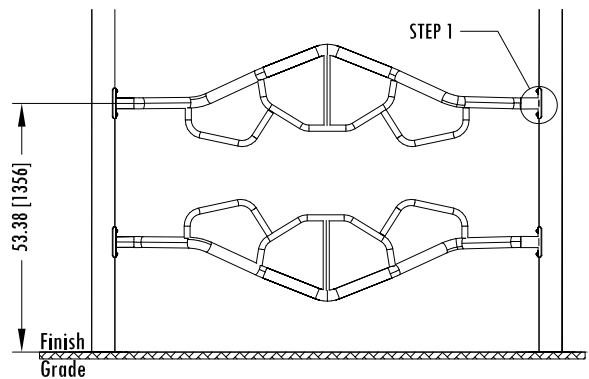
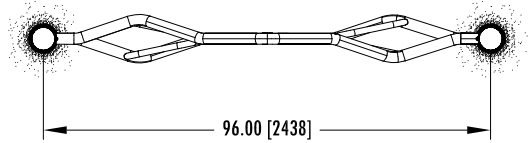
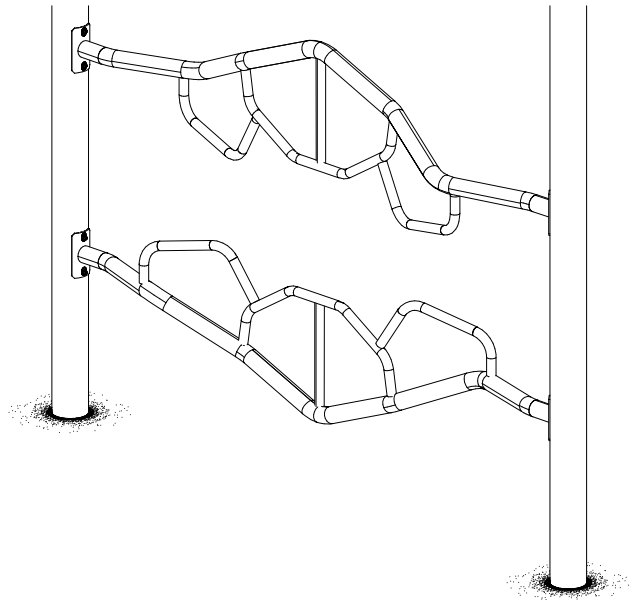


Parts List

- 2 Peak Overhead
- 8 2T-0604 - Button Cap Torx w/ Pin 3/8" x 1"
- 8 5F-0500 - Flat Washer 5/16" S/S w/ 3/8" Hole



1" Button Cap, Flat Washer (x4)

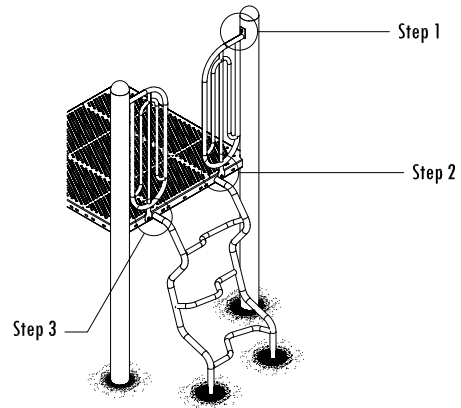


This Instruction Applies To The Following Modules :

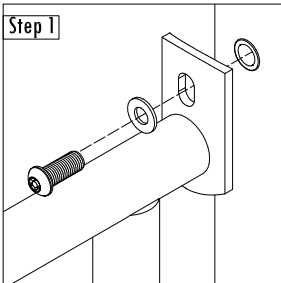
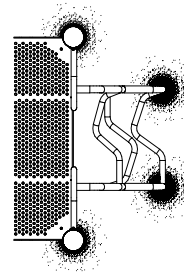
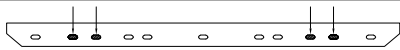
- CB709 Crawler 4'
- CB710 Crawler 5'
- CB711 Crawler 6'
- CB712 Crawler 7'

Parts List

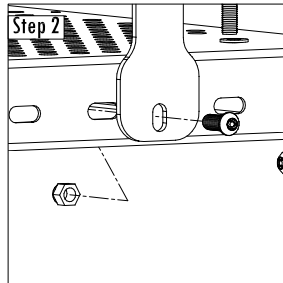
1	Crawler
2	BPN00200 Safety Rail
4	2T-0604 Button Cap Torx w/ Pin 3/8" x 1"
2	2T-0608 Button Cap Torx w/ Pin 3/8" x 2"
2	4L-0601 Lock Nut 3/8"
8	5F-0500 Flat Washer 5/16" S/S w/ 3/8" Hole



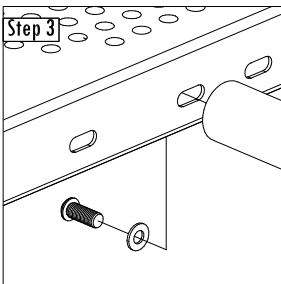
DECK HOLES USED



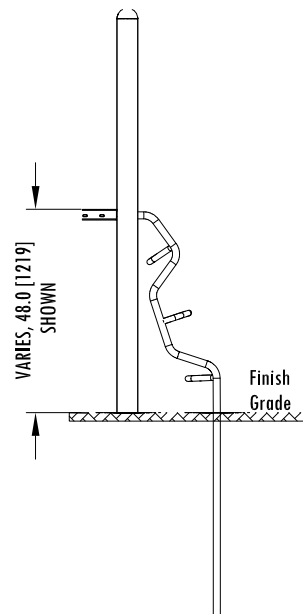
1" Button Cap Torx, Flat Washer (x2)



1" Button Cap Torx, Flat Washer, Lock Nut (x2)



2" Button Cap Torx, Flat Washer (x2)



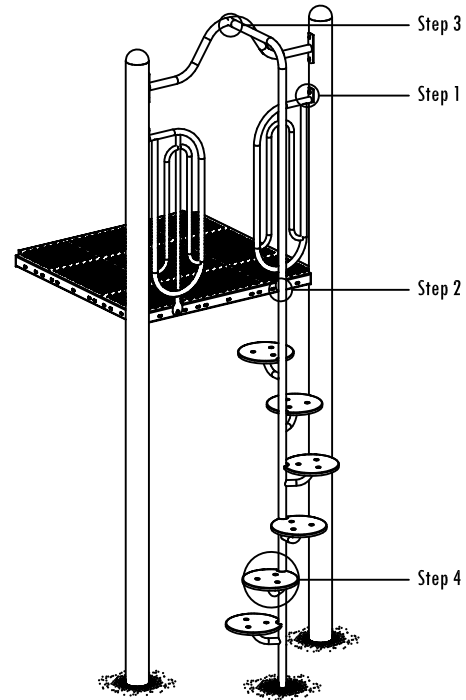
PLAYSTEEL SQ N/A	PLAYSTEEL MAX B5-CB709-00 B5-CB710-00 B5-CB711-00 B5-CB712-00	PLAYSTEEL FIT B3-CB709-00 B3-CB710-00 B3-CB711-00 B3-CB712-00	B4-CB709-00 B4-CB710-00 B4-CB711-00 B4-CB712-00	ORBIS N/A	PLAYTOTS N/A	PAGE 1 OF 1
---------------------	---	---	--	--------------	-----------------	-------------

This Instruction Applies To The Following Modules :

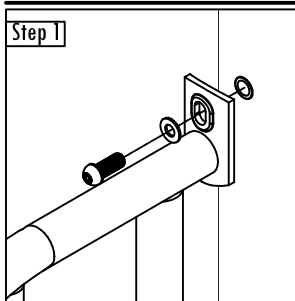
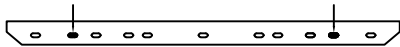
- CB313 Space Walk 3'
- CB314 Space Walk 4'
- CB315 Space Walk 5'
- CB316 Space Walk 6'
- CB317 Space Walk 7'

Parts List

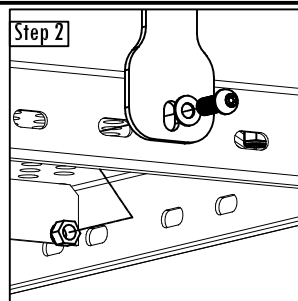
- 1 Space Walk
- 2-6 Space Walk Step
- 1 Pole Connector
- 2 Safety Railing
- 8 2T-0604 - Button Cap Torx w/ Pin 3/8" x 1"
- 6-18 2T-0604 - Button Cap Torx w/ Pin 3/8" x 1-1/2"
- 1 2T-0610 - Button Cap Torx w/ Pin 3/8" x 2-1/2"
- 8-20 4L-0600 - Lock Nut w/ Nylon Locking 3/8"
- 23-47 5F-0500 - Flat Washer 5/16" S/S w/ 3/8" Hole



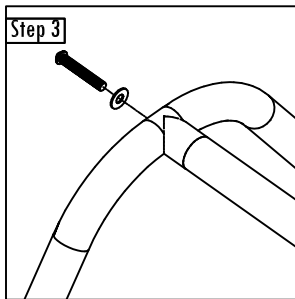
DECK HOLES USED



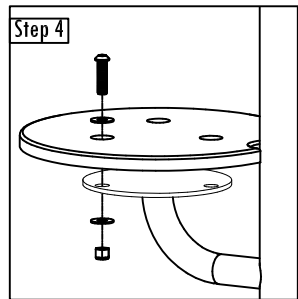
1" Button Cap Torx, Flat Washer (x6)



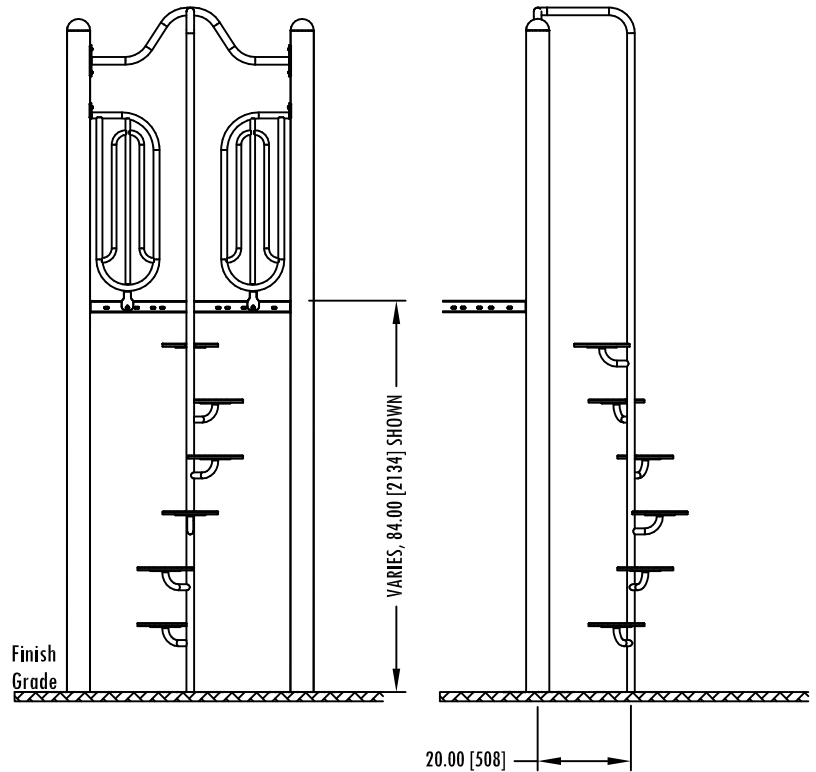
1" Button Cap Torx, Flat Washer, Lock Nut (x2)



2-1/2" Button Cap Torx, Flat Washer (x1)



1-1/2" Button Cap Torx, Flat Washer, Lock Nut (x2)



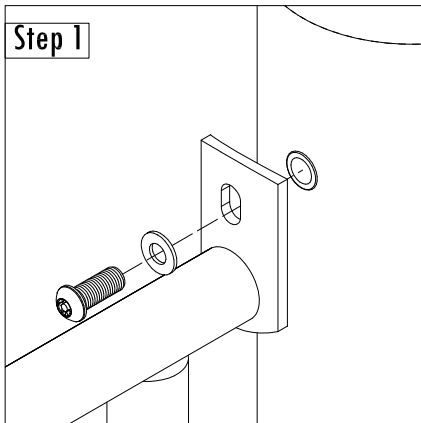
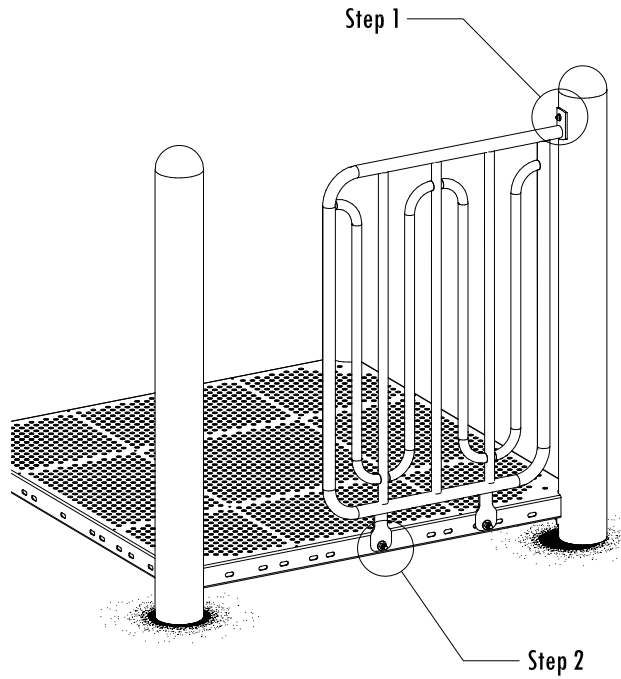
OFFICE USE ONLY

11/12/2018

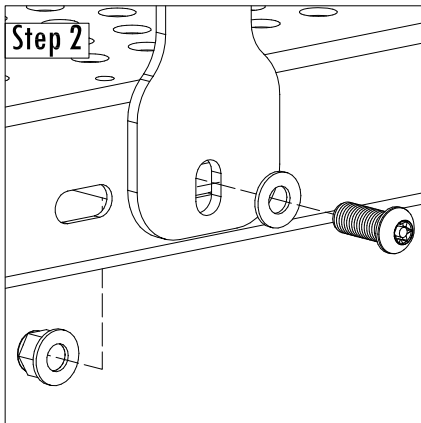
PLAYSTEEL SQ N/A	PLAYSTEEL MAX B5-CB313-01 B5-CB314-01 B5-CB315-01 B5-CB316-01 B5-CB317-01	PLAYSTEEL FIT B3-CB313-01 B3-CB314-01 B3-CB315-01 B3-CB316-01 B3-CB317-01	B4-CB313-01 B4-CB314-01 B4-CB315-01 B4-CB316-01 B4-CB317-01	ORBIS N/A	PLAYTOTS N/A	PAGE 1 OF 1
---------------------	--	--	---	--------------	-----------------	-------------

Parts List

- 1 BPN01200 Open Rail
- 3 2T-0604 - Button Cap Torx w/ Pin 3/8" x 1"
- 2 4N-0600 - Locking Flange Nut 3/8"
- 3 5F-0500 - Flat Washer 5/16" S/S w/ 3/8" Hole



1" Button Cap, Flat Washer (x1)

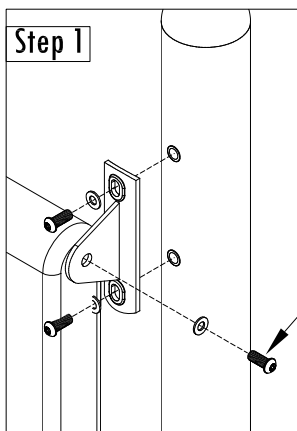
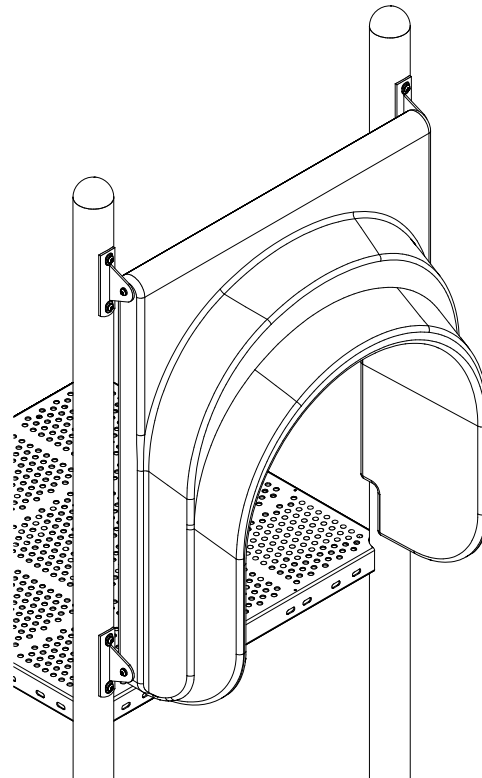


1" Button Cap, Flat Washer, Locking Flange Nut (x2)

Parts List

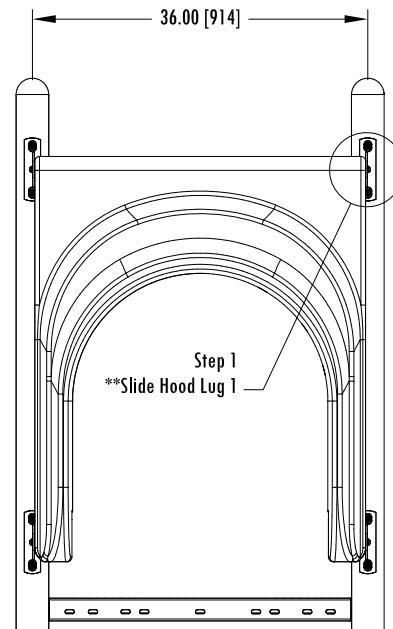
- 4 BRK12800 Slide Hood Lug 1
- 1 PPN00701 B3 Single Slide Hood

- 8 2T-0604 - Button Cap Torx w/ Pin 3/8" x 1"
- 4 2T-0606z - Button Cap Torx w/ Pin 3/8" x 1-1/2" (no locktite)
- 12 5F-0500 - Flat Washer 5/16" S/S w/ 3/8" Hole



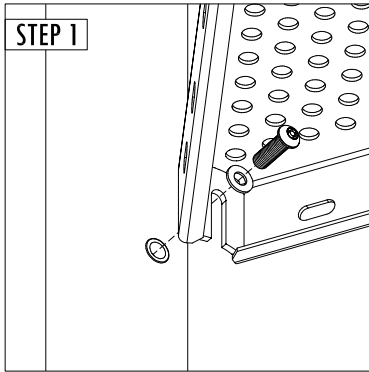
NO LOCKTITE

- 1" Button Cap, Flat Washer (x8)
- 1-1/2" Button Cap, Flat Washer (x4)

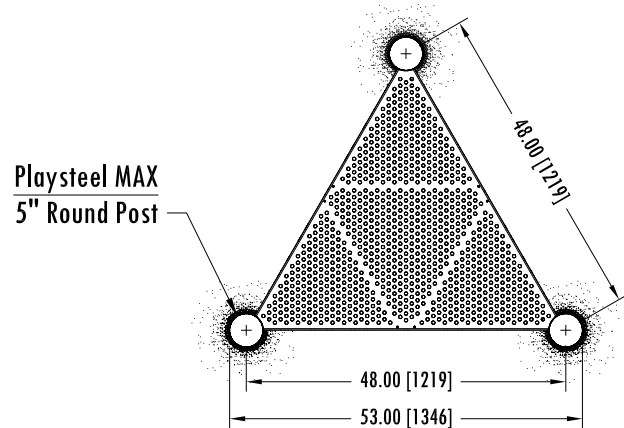
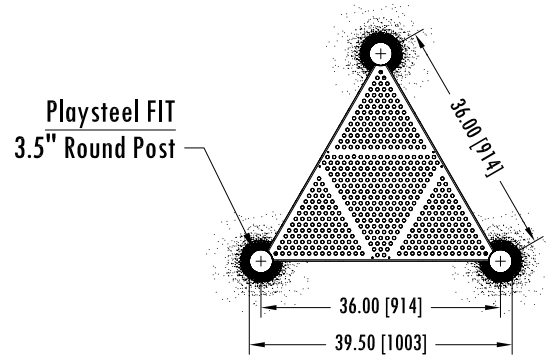
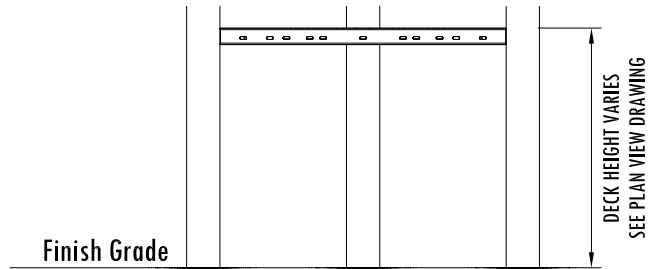
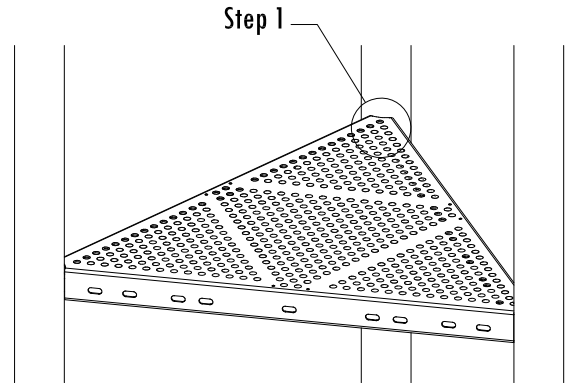


Parts List

1	DCK01900	Triangle Deck
3	2T-0604	Button Cap Torx w/ Pin 3/8" x 1"
3	5F-0500	Flat Washer 5/16"



1" Button Cap, Flat Washer (x3)



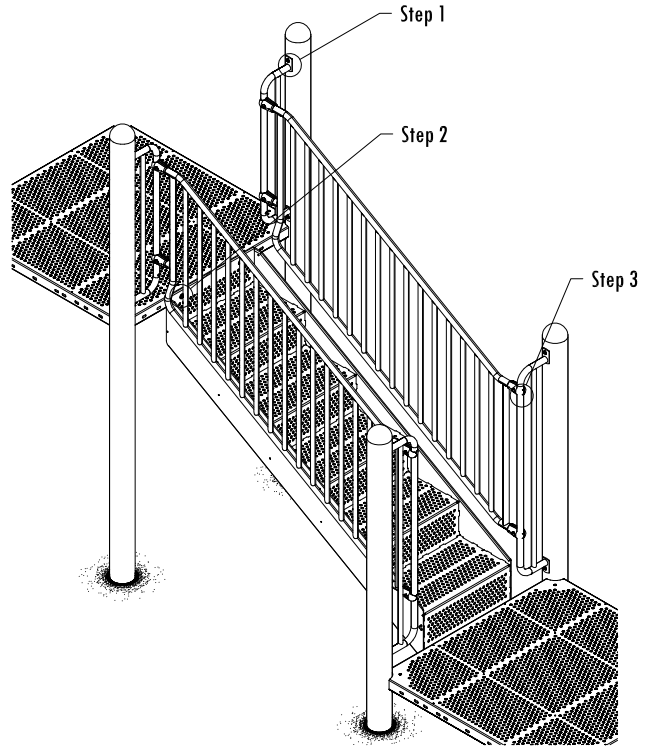
This Instruction Applies To The Following Modules :

- ST061 Accessible Step Deck 12" (1 Steps)
- ST063 Accessible Step Deck 24" (2 Steps)
- ST067 Accessible Step Deck 48" (5 Steps)
- ST068 Accessible Step Deck 48" (5 Steps)

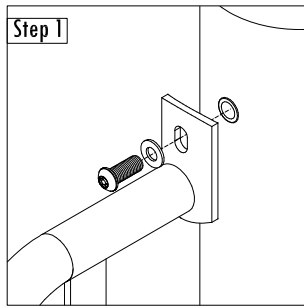
Parts List

- 2 BPN056 Accessible Step Deck Upper (37")
- 2 BPN057 Accessible Step Deck Lower (51")
- 8 CLP001 1.315" Tubing Clamp
- 2 HDR086 Accessible Step Deck Handrail
- 1 Accessible Stair

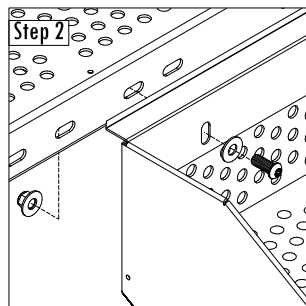
- 12 2T-0604 - Button Cap Torx w/ Pin 3/8" x 1"
- 8 2T-0610 - Button Cap Torx w/ Pin 3/8" x 1-1/2"
- 8 4L-0601 - SS Lock Nut 3/8"-16 UNC .41h-11/16W
- 4 4N-0600 - Locking Flange Nut 3/8"
- 12 5F-0500 - Flat Washer 5/16" S/S w/ 3/8" Hole



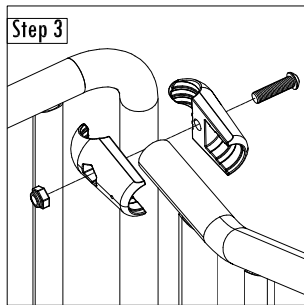
DECK HOLES USED



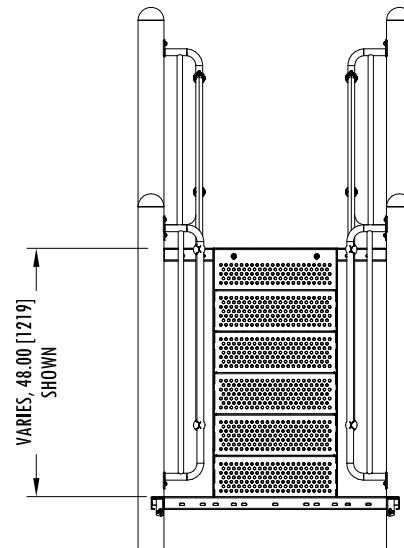
1" Button Cap, Flat Washer (x8)



1" Button Cap, Flat Washer, Locking Flange Nut (x4)



1-1/2" Button Cap Torx, Locknut (x8)

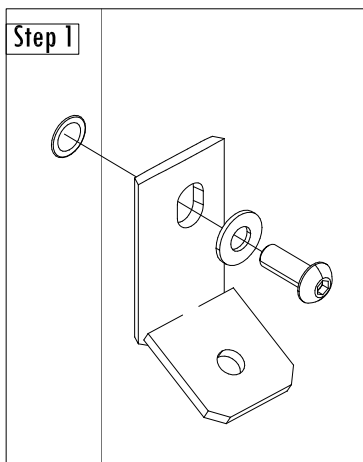
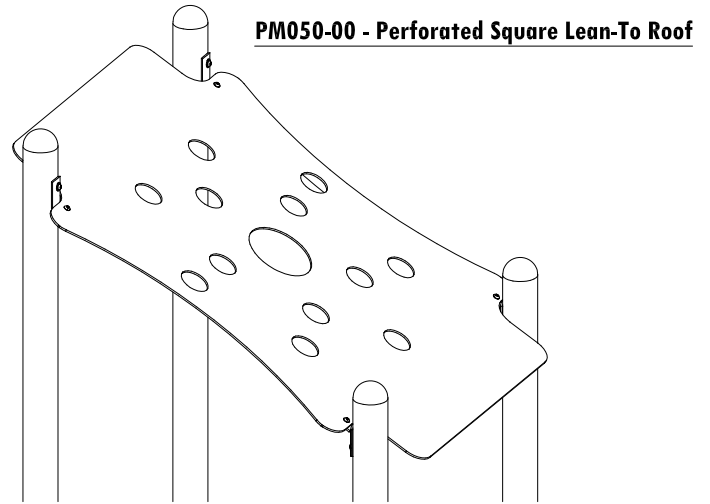


PLAYSTEEL SQ N/A	PLAYSTEEL MAX B5-ST061-03 B5-ST063-04 B5-ST067-00 B5-ST068-04	PLAYSTEEL FIT B3-ST061-05 B3-ST063-05 B3-ST067-00 B3-ST068-05	B4-ST061-05 B4-ST063-04 B4-ST067-00 B4-ST068-05	ORBIS N/A	PLAYTOTS N/A	PAGE 1 OF 1
---------------------	---	---	--	--------------	-----------------	-------------

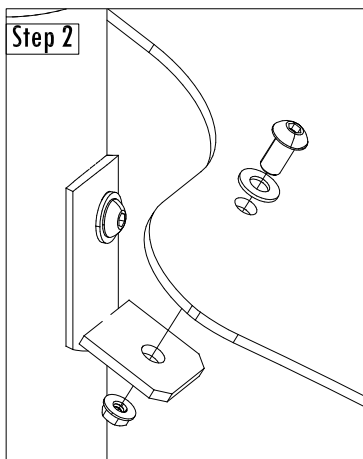
Parts List

- 1 Lean-To Roof
- 3-4 Lean-To Roof Bracket

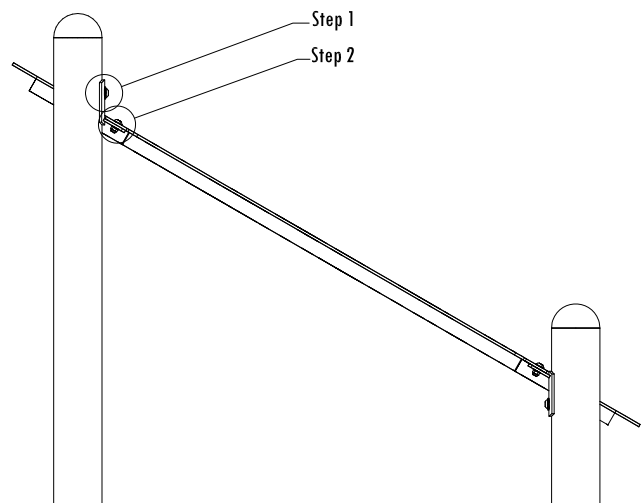
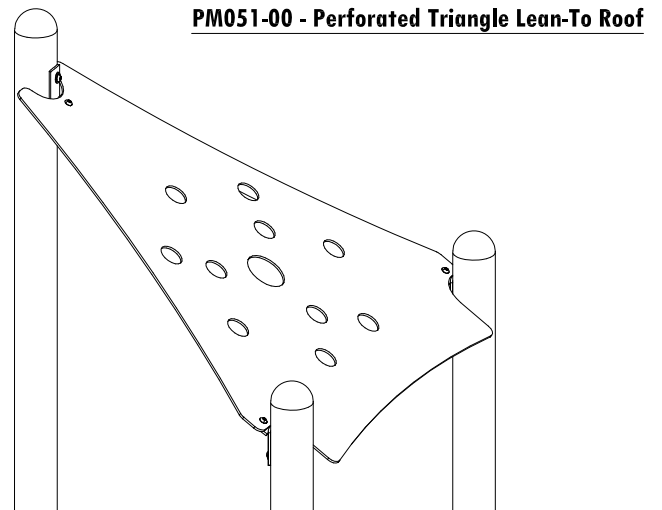
- 6-8 2T-0604 Button Cap Torx w/ Pin 3/8" x 1"
- 3-4 4L-0600 Lock Nut w/ Nylon Locking 3/8"
- 9-12 5F-0500 Flat Washer 5/16" S/S w/ 3/8" Hole



1" Button Cap, Flat Washer (x3 or 4)



1" Button Cap, Flat Washer,
Lock Nut (x3 or 4)



This Instruction Applies To The Following Modules :

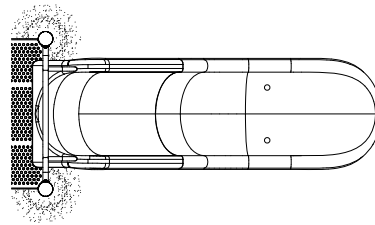
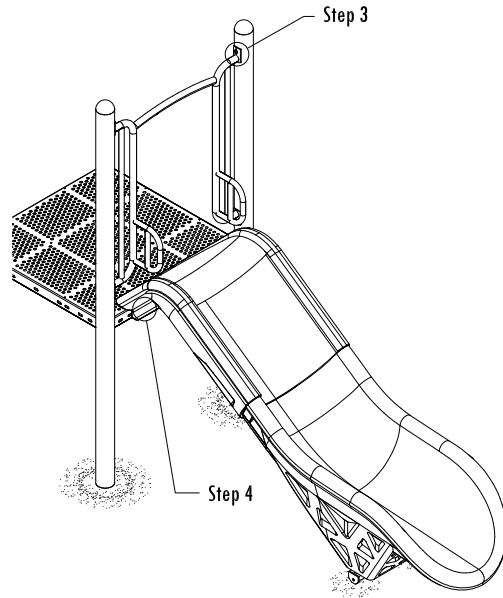
- | | |
|--|---|
| SL263 Open Starglide Slide Straight 3' | SL286 Open Starglide Slide Veer Left 6' |
| SL264 Open Starglide Slide Straight 4' | SL287 Open Starglide Slide Veer Left 7' |
| SL265 Open Starglide Slide Straight 5' | SL288 Open Starglide Slide Veer Left 8' |
| SL266 Open Starglide Slide Straight 6' | SL297 Open Starglide Slide Turn Right 7' |
| SL267 Open Starglide Slide Straight 7' | SL298 Open Starglide Slide Turn Right 8' |
| SL268 Open Starglide Slide Straight 8' | SL307 Open Starglide Slide Turn Left 7' |
| SL275 Open Starglide Slide Veer Right 5' | SL308 Open Starglide Slide Turn Left 8' |
| SL276 Open Starglide Slide Veer Right 6' | SL317 Open Starglide Slide Snake Right 7' |
| SL277 Open Starglide Slide Veer Right 7' | SL318 Open Starglide Slide Snake Right 8' |
| SL278 Open Starglide Slide Veer Right 8' | SL327 Open Starglide Slide Snake Left 7' |
| SL285 Open Starglide Slide Veer Left 5' | SL328 Open Starglide Slide Snake Left 8' |

Parts List

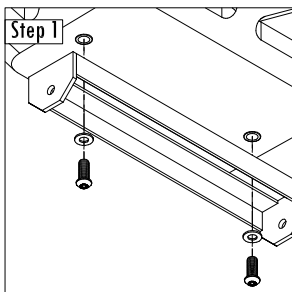
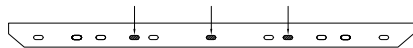
- 1 Open Stargate Slide Assembly
 - 1 1M-P1-GND00100-00 Universal Ground Leg Mount
 - 2 1M-P1-GND00200-00 Universal Ground Leg
 - 1 1M-B3-BPN06000-00 Open Starglide Entry Rail
 - 1* 1S-P1-GND02500-00 Starglide Support Leg (6' or higher slides)
- *Quantity specified on Starglide Sectional Slide configuration diagram.

- 6 2T-0604 - Button Cap Torx w/ Pin 3/8" x 1"
- 3 2T-0606 - Button Cap Torx w/ Pin 3/8" x 1-1/2"
- 2 4L-0600 - Lock Nut w/ Nylon Locking 3/8"
- 14 5F-0500 - Flat Washer 5/16" S/S w/ 3/8" Hole

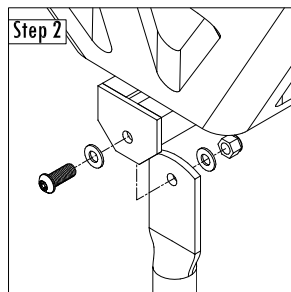
For slides shipped in sections, assemble with (5) 3/8" x 3-1/2" Torx, flatwashers, 1/2" flatwasher and spenco nuts.



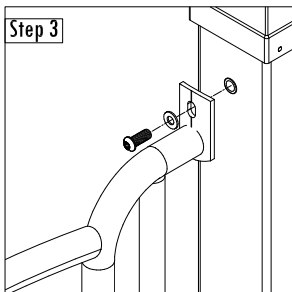
DECK HOLES USED



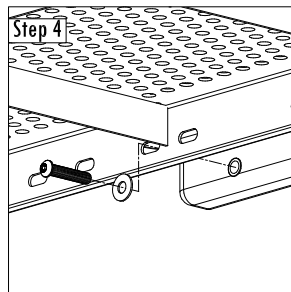
1" Button Cap Torx, Flat Washer (x2)



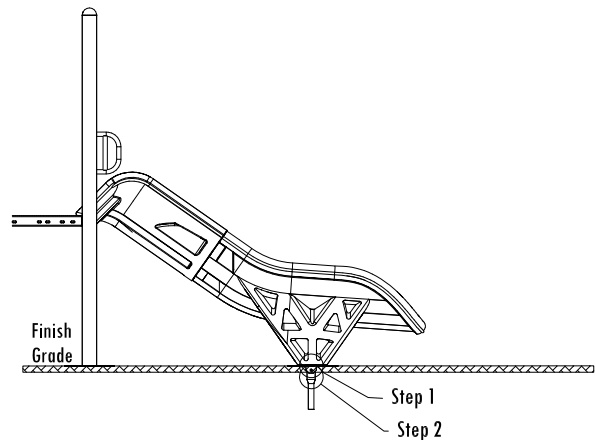
1" Button Cap Torx, Flat Washer, Lock Nut (x2)



1" Button Cap Torx, Flat Washer (x4)

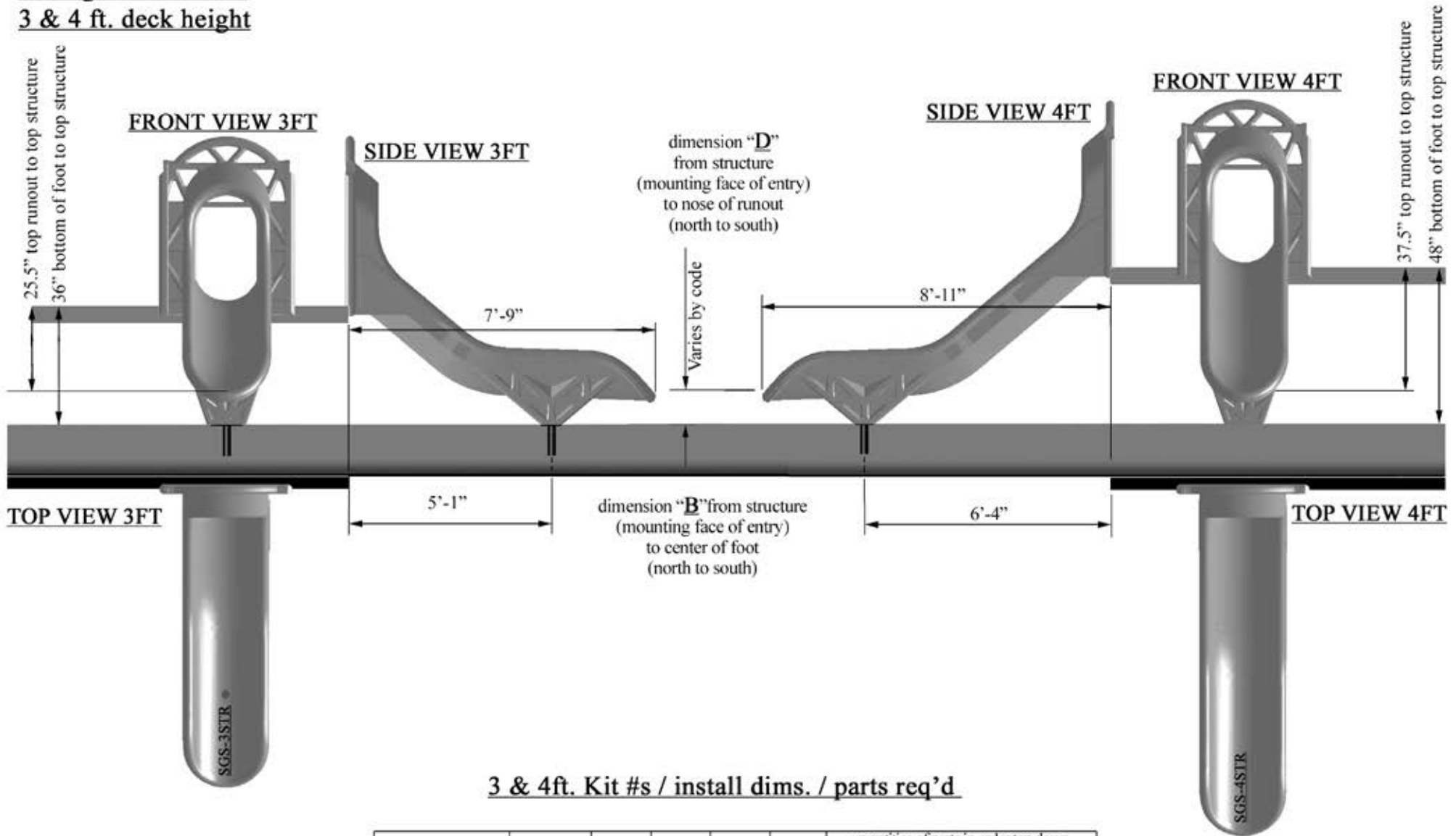


1 1/2" Button Cap Torx, Flat Washer (x3)



**Star Gate Sectional Slide
Configurations from
3 & 4 ft. deck height**

3 & 4 ft Slides



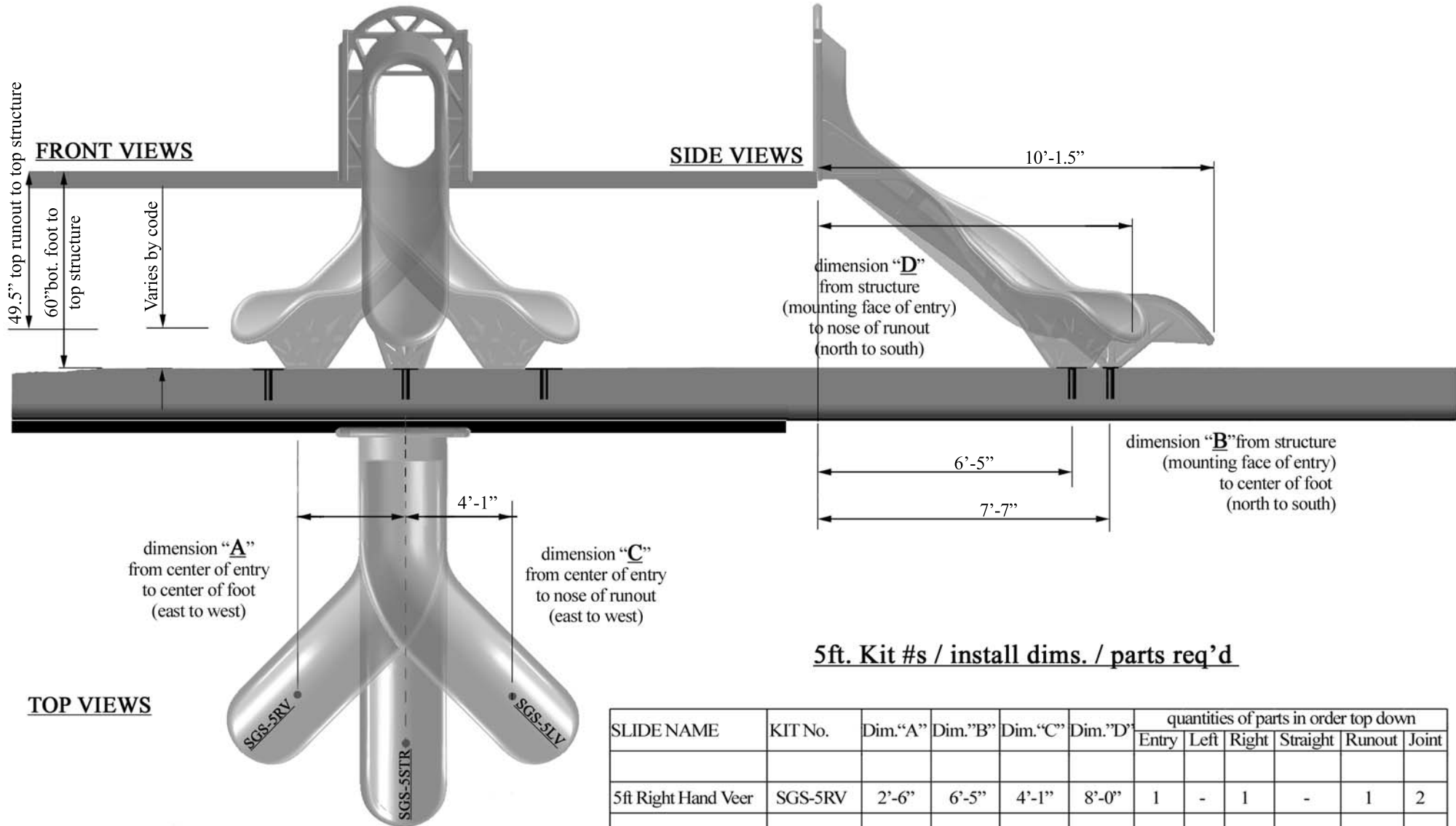
3 & 4ft. Kit #s / install dims. / parts req'd

SLIDE NAME	KIT No.	Dim."A"	Dim."B"	Dim."C"	Dim."D"	quantities of parts in order top down					
						Entry	Left	Right	Straight	Runout	Joint
3ft Straight	SGS-3STR	0"	5'-1"	0"	7'-9"	1	-	-	-	1	1
4ft Straight	SGS-4STR	0"	6'-4"	0"	8'-11"	1	-	-	1	1	2



**Star Gate Sectional Slide
Configurations from
5 ft. deck height**

5ft Slides



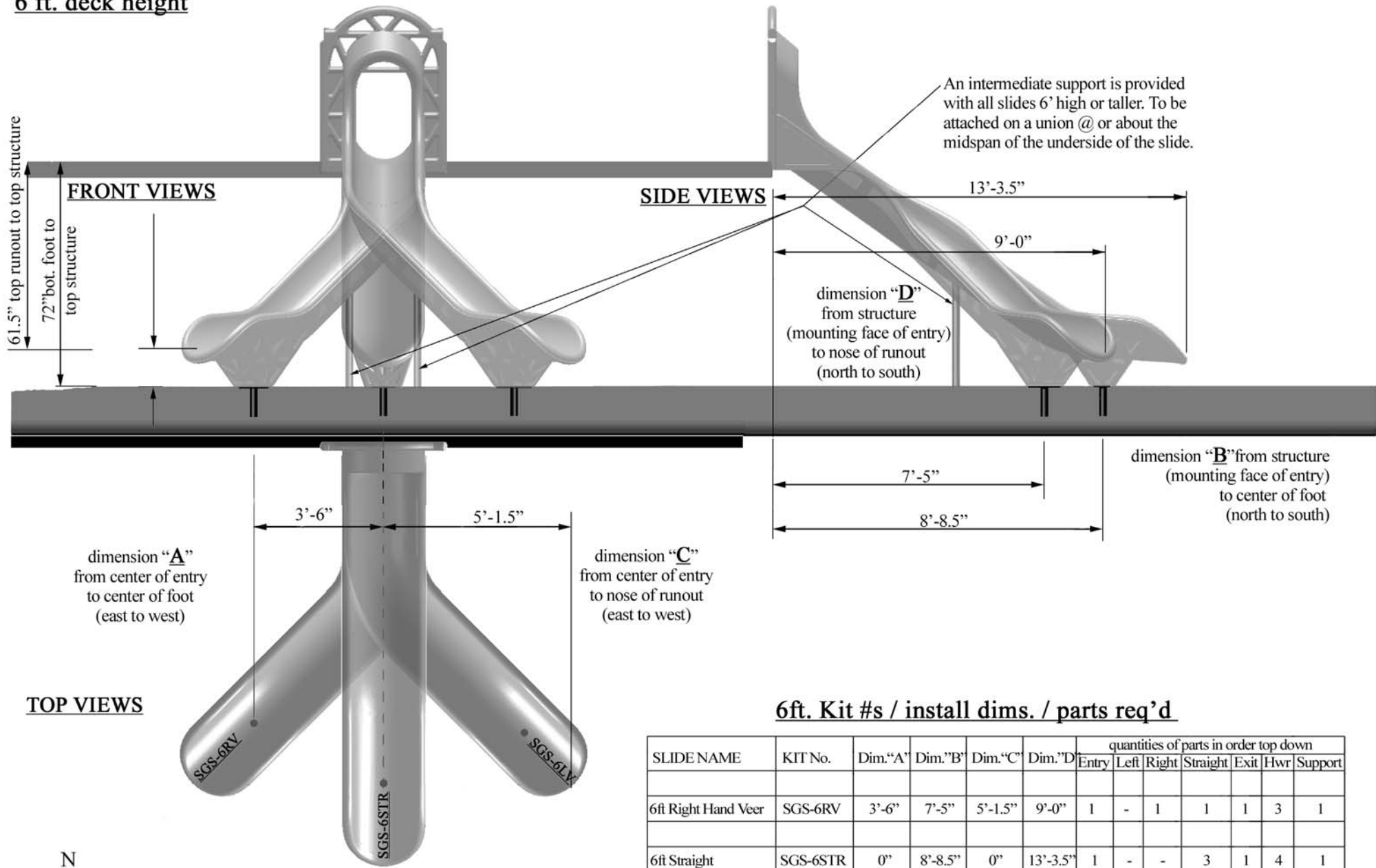
5ft. Kit #s / install dims. / parts req'd

SLIDE NAME	KIT No.	Dim."A"	Dim."B"	Dim."C"	Dim."D"	quantities of parts in order top down					
						Entry	Left	Right	Straight	Runout	Joint
5ft Right Hand Veer	SGS-5RV	2'-6"	6'-5"	4'-1"	8'-0"	1	-	1	-	1	2
5ft Straight	SGS-5STR	0"	7'-7"	0"	10'-1.5"	1	-	-	2	1	3
5ft Left Hand Veer	SGS-5LV	2'-6"	6'-5"	4'-1"	8'-0"	1	1	-	-	1	2



**Star Gate Sectional Slide
Configurations from
6 ft. deck height**

6ft Slides



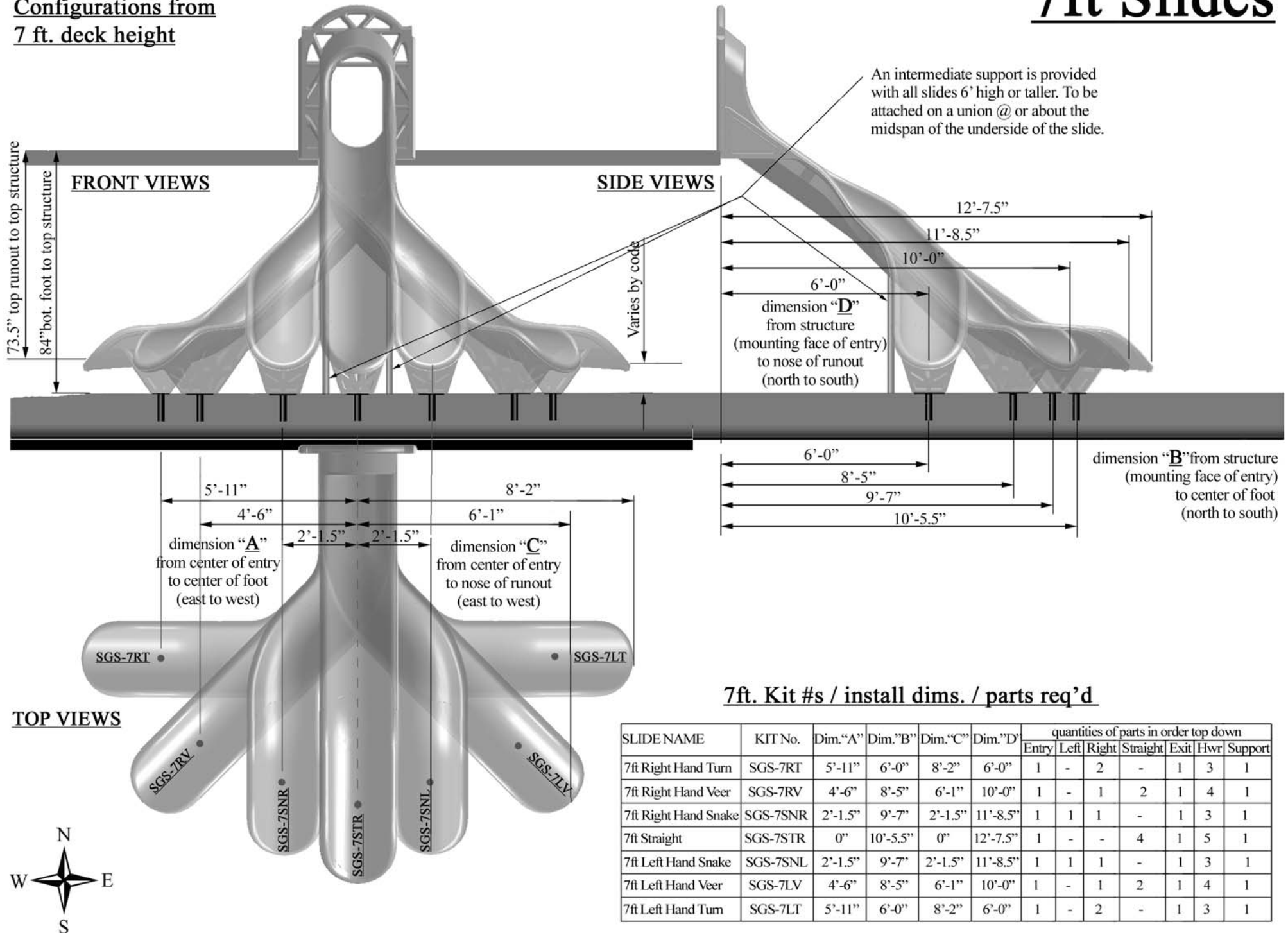
6ft. Kit #s / install dims. / parts req'd

SLIDE NAME	KIT No.	Dim."A"	Dim."B"	Dim."C"	Dim."D"	quantities of parts in order top down						
						Entry	Left	Right	Straight	Exit	Hwr	Support
6ft Right Hand Veer	SGS-6RV	3'-6"	7'-5"	5'-1.5"	9'-0"	1	-	1	1	1	3	1
6ft Straight	SGS-6STR	0"	8'-8.5"	0"	13'-3.5"	1	-	-	3	1	4	1
6ft Left Hand Veer	SGS-6LV	3'-6"	7'-5"	5'-1.5"	9'-0"	1	1	-	1	1	3	1



**Star Gate Sectional Slide
Configurations from
7 ft. deck height**

7ft Slides



Star Gate Sectional Slide Configurations from 8 ft. deck height

8ft Slides

