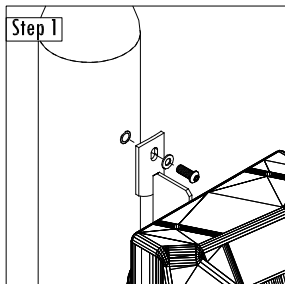
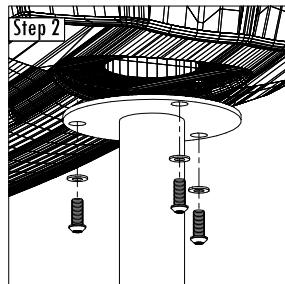


### Parts List

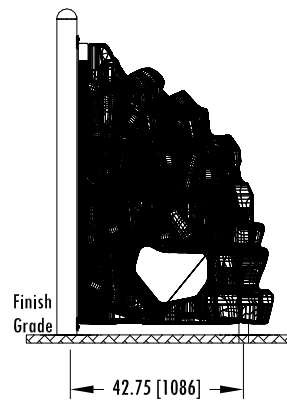
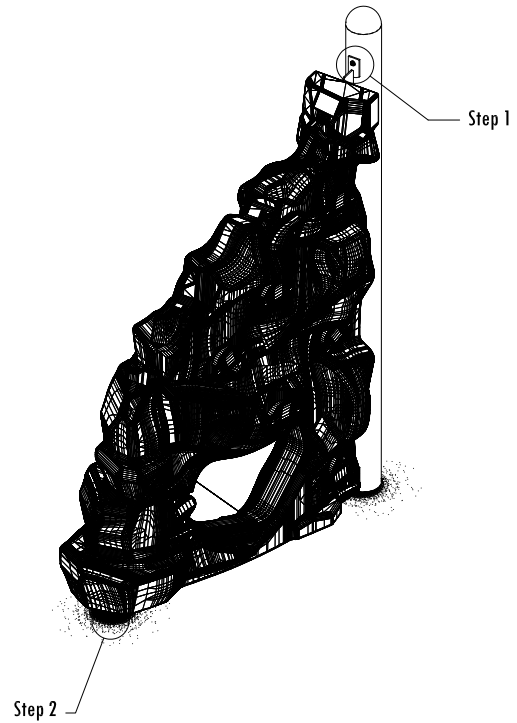
- 1 CLM18400 Ridge Rock Assembly
- 1 GND11100 Ridge Rock Ground Leg
- 5 2T-0604 - Button Cap Torx w/ Pin 3/8" x 1"
- 5 5F-0500 - Flat Washer 5/16" S/S w/ 3/8" Hole



Step 1  
1" Button Cap Torx, Flat Washer (x2)

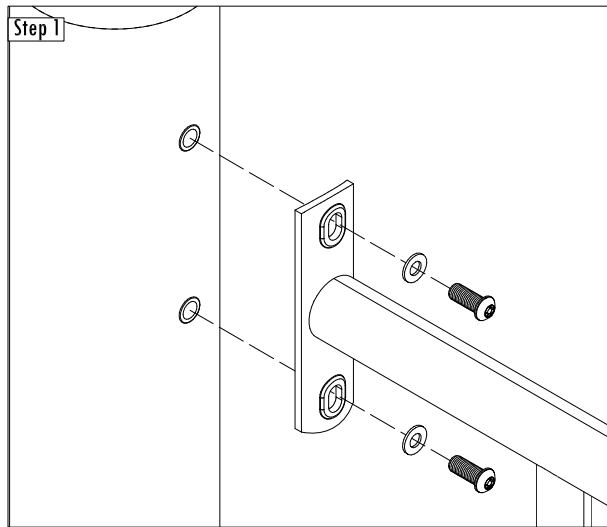
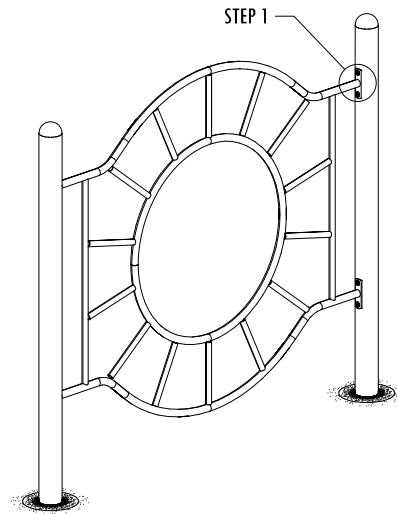


Step 2  
1" Button Cap Torx, Flat Washer (x3)

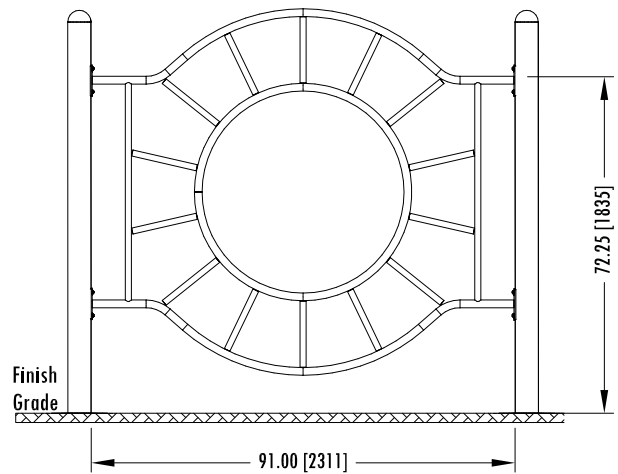


### Parts List

1	CLM13400	Sunshine Climber
8	2T-0604	Button Cap Torx w/ Pin 3/8" x 1"
8	5F-0500	Flat Washer 5/16" S/S w/ 3/8" Hole

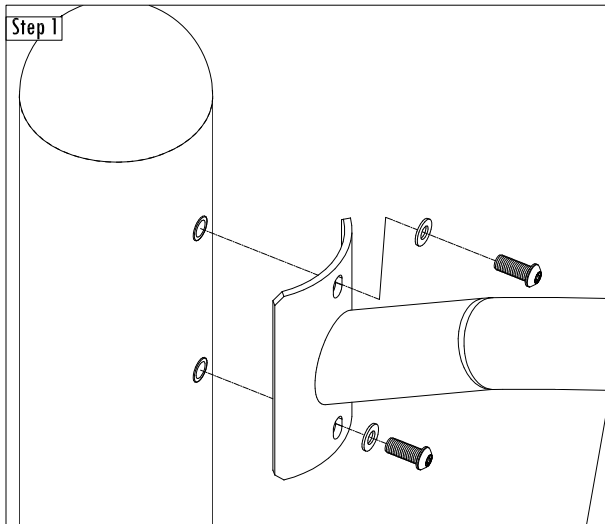


1" Button Cap, Flat Washer (x8)

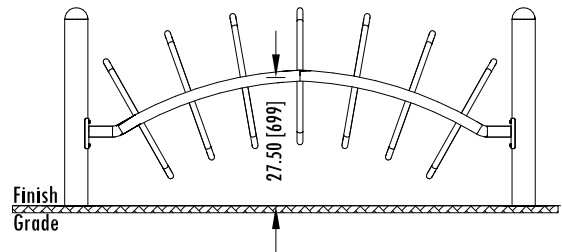
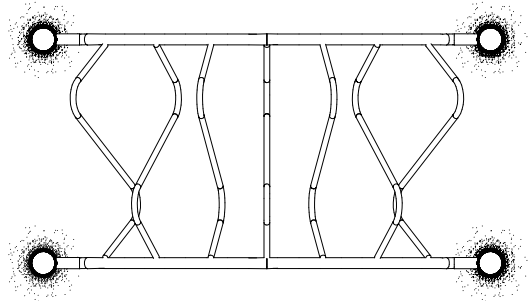
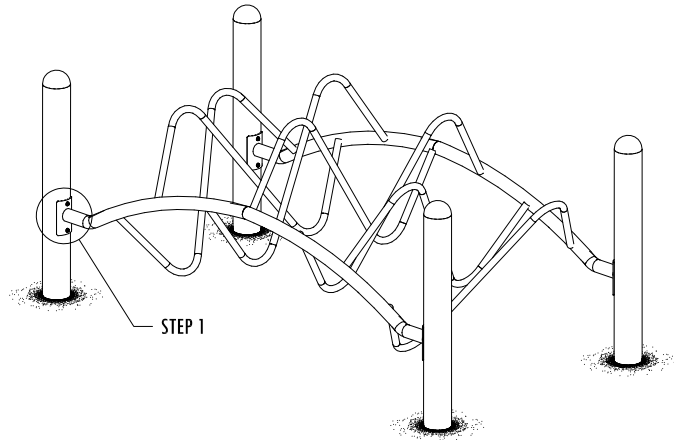


### Parts List

- 8 2T-0604 - Button Cap Torx w/ Pin 3/8" x 1"
- 8 5F-0500 - Flat Washer 5/16" S/S w/ 3/8" Hole

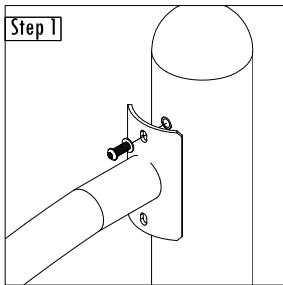
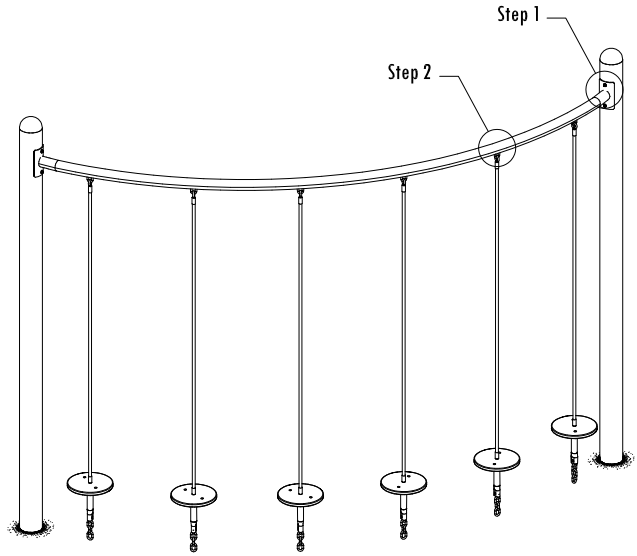


1" Button Cap, Flat Washer (x8)

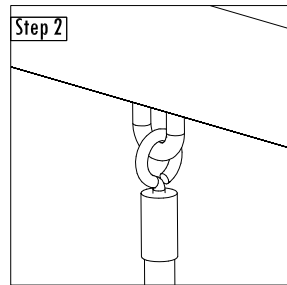


### Parts List

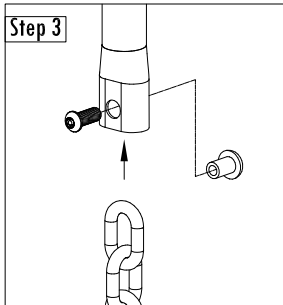
6	CLA04000	Cable Pod Assembly
1	CLM20200	Cable Pod Upper Support
1	GND11500	Cable Pod Ground Leg
6	GND13000	Cable Pod (HD) Chain 12"
14	2T-0604	Button Cap Torx w/ Pin 3/8" x 1"
4	4L-0600	Lock Nut 3/8"
6	4R-0603	Barrel Nut 3/8" x 3/4"
12	5F-0500	Flat Washer 5/16" S/S w/ 3/8" Hole
6	6Q-0500	Quick Link 5/16"



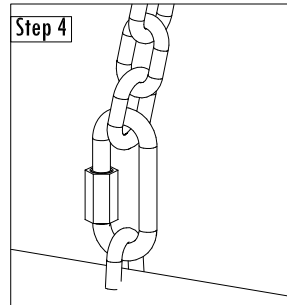
1" Button Cap Torx, Flat Washer (x4)



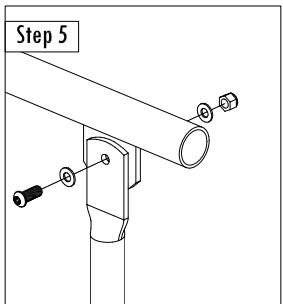
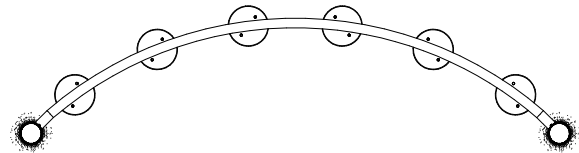
Crimp eyebolts closed, using pliers. (x12)



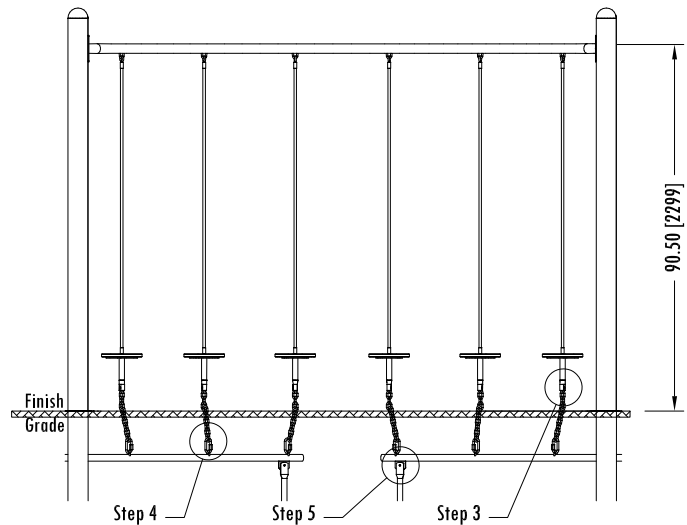
1" Button Cap, Barrel Nut (x6)



Quick Link (x6)



1" Button Cap Torx w/ Pin, Flat Washers, Lock Nut (x4)

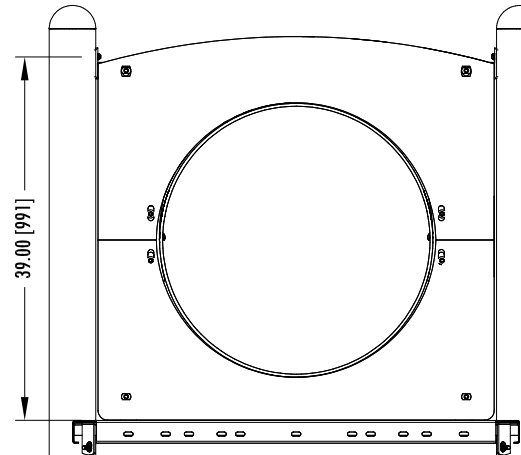
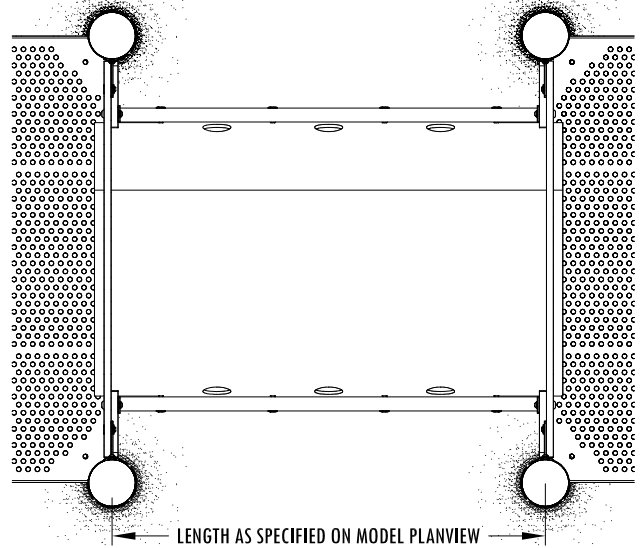
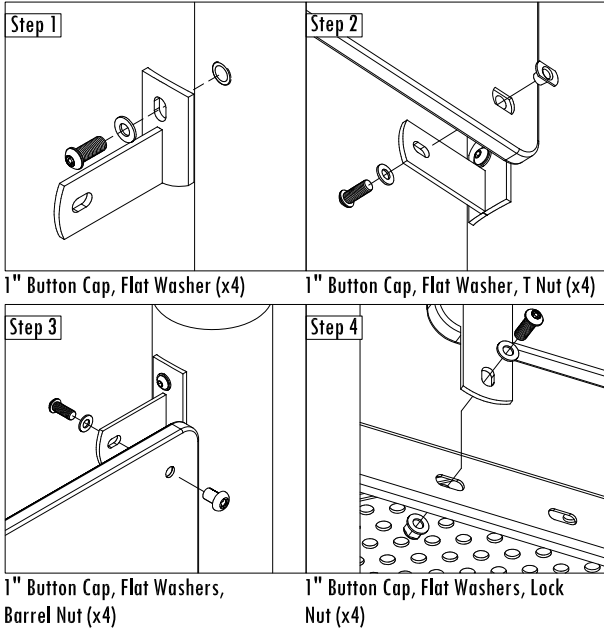
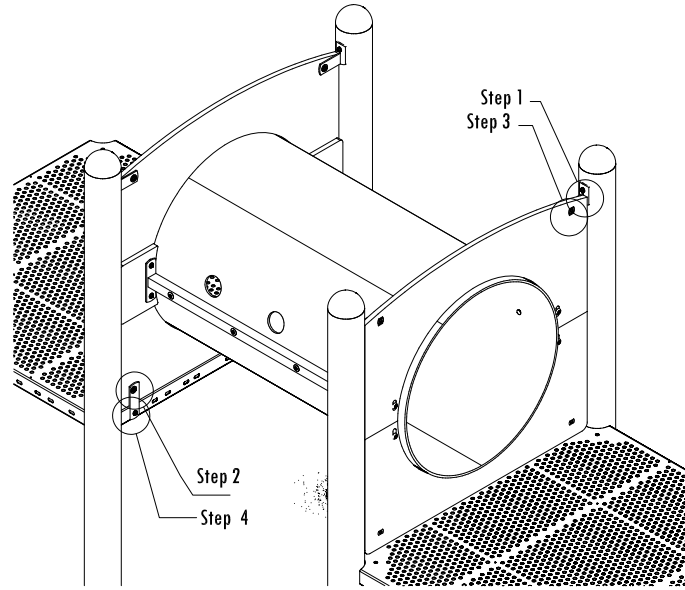


**This Instruction Applies To The Following Modules :**

- CT003 Straight Crawl Tunnel 3'
- CT004 Straight Crawl Tunnel 4'
- CT005 Straight Crawl Tunnel 5'
- CT018 1' Rise Crawl Tunnel

**Parts List**

- |    |          |                                    |
|----|----------|------------------------------------|
| 4  | BRK00400 | Bracket                            |
| 4  | LUG00200 | Lug                                |
| 1  |          | Crawl Tunnel Assembly              |
| 16 | 2T-0604  | Button Cap Torx w/ Pin 3/8" x 1"   |
| 4  | 4D-0600  | T Nut 3/8"                         |
| 4  | 4N-0600  | Locking Flange Nut 3/8"            |
| 4  | 4R-0603  | Barrel Nut 3/8" x 3/4"             |
| 16 | 5F-0500  | Flat Washer 5/16" S/S w/ 3/8" Hole |

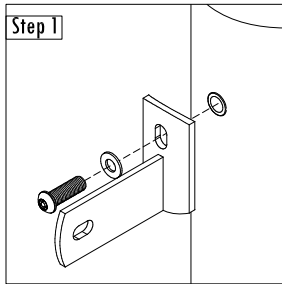


### Included Modules

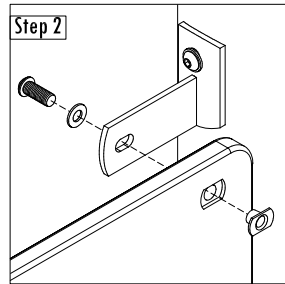
AP185-00	Hot Dog Stand Panel
AP186-00	Ice Cream Shop Panel
AP187-00	Pet Shop Panel
AP188-00	Snow-Cone Shop Panel
AP189-00	Village Market Panel
AP190-00	Bait & Tackle Shop Panel

### Parts List

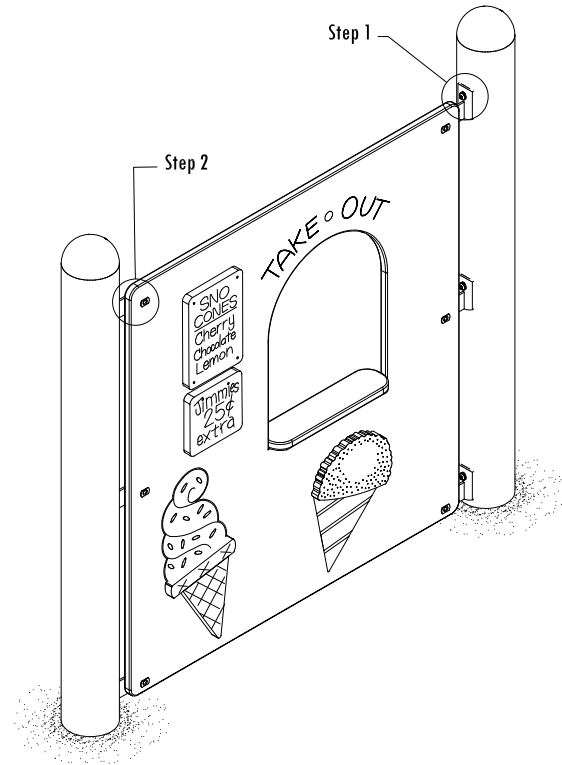
<b>6</b>	<b>BRK00400</b>	<b>Sheet Plastic Bracket</b>
<b>1</b>		<b>Shop Panel</b>
<b>12</b>	<b>2T-0604</b>	<b>Button Cap Torx w/ Pin 3/8" x 1"</b>
<b>6</b>	<b>4D-0600</b>	<b>T Nut 3/8"</b>
<b>12</b>	<b>5F-0500</b>	<b>Flat Washer 5/16" S/S w/ 3/8" Hole</b>



1" Button Cap, Flat Washer (x6)



1" Button Cap, Flat Washer, T Nut (x6)

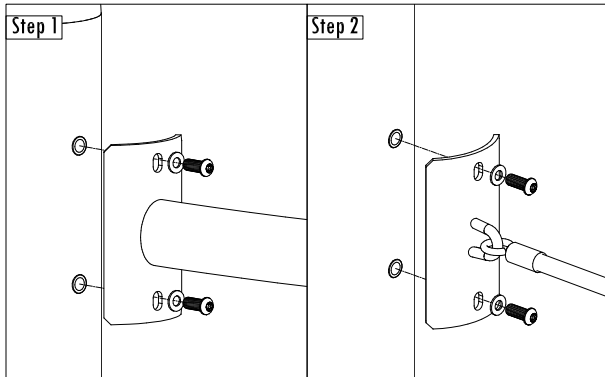
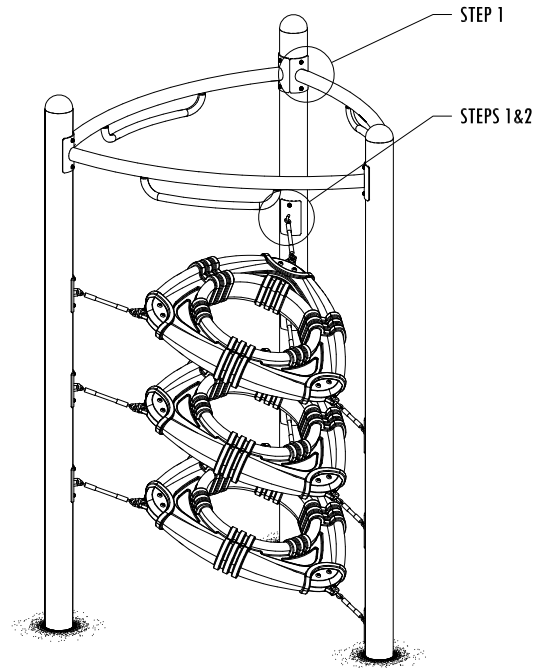


PLAYSTEEL SQ N/A	PLAYSTEEL MAX B5-AP185-00 B5-AP186-00 B5-AP187-00 B5-AP188-00 B5-AP189-00 B5-AP190-00	PLAYSTEEL FIT B3-AP185-00 B4-AP185-00 B3-AP186-00 B4-AP186-00 B3-AP187-00 B4-AP187-00 B3-AP188-00 B4-AP188-00 B3-AP189-00 B4-AP189-00 B3-AP190-00 B4-AP190-00	ORBIS N/A	PLAYTOTS N/A	PAGE 1 OF 1
---------------------	---	---	--------------	-----------------	-------------

### Parts List

3            CLA05300   Vertical Triangle Link & Cable Assembly  
1 or 3       FRM07500   Vertical Triangle Link Frame

24 or 30   2T-0604 - Button Cap Torx w/ Pin 3/8" x 1"  
24 or 30   5F-0500 - Flat Washer 5/16" S/S w/ 3/8" Hole



1" Button Cap, Flat Washer (x12)

1" Button Cap, Flat Washer (x18)  
Crimp eyebolts closed, using pliers (x9)

