



**ultraPLAY**<sup>®</sup>

A PLAYCORE Company

# OWNER'S MANUAL

Visit [www.playcore.com/shipment](http://www.playcore.com/shipment) or use the QR code to give feedback about the condition of the shipment, quality of the product, and installation feedback. Please include pictures.



This document includes:

- Warranty Information
- Ground Plan
- Hardware Listing
- Assembly and Installation Instructions



| 888.403.7684

BTI-SO-5710605-1



A **PLAYCORE** Company

Dear UltraPlay Customer,

Thank you for choosing to purchase and install an UltraPlay play system. We appreciate the confidence and trust you have placed in our company.

Your Installation Guide is enclosed. We designed this manual specifically for the products you have purchased. Included in this manual you will find the following documents:

- Product Installation Instructions
- 2-D Top View Drawing specific to your structure
- Ground Plan

If you have any questions concerning your new equipment, you can reach a customer service representative at 1-888-403-7684

Thank you for your business; we look forward to working with you on future playground equipment projects!

Sincerely,

UltraPlay





## Safety Guidelines

Maintaining your playground equipment as well as its surrounding area is essential to minimizing the risk of injury to users as well as maximizing its useful lifespan. UltraPlay STRONGLY recommends that you follow **these Safety Guidelines** in conjunction with conducting periodic maintenance inspections using the accompanying **Playground Maintenance Checklist**. When installing, always consider local conditions and codes. Good common sense works hand-in-hand with the instructions.

### LOCATING YOUR PLAY STRUCTURE

Comply with the following when choosing the location for your new equipment:

- Equipment should be placed to eliminate conflicting traffic patterns. As a general rule, allow at least **6' of free space around the entire structure, EXCEPT for slide exits, which require a distance X equal to highest point of sliding surface with a minimum of 72" and maximum of 96" from the edge of the slide.** Example: a Slide from a 6' high deck requires 6' of clear space with resilient surfacing in front of and behind them for safe circulation. Example: a Swing with a 8' high beam requires 16' of free space in front, and another 16' behind it, for a total of 32'. These minimum areas should be filled with the appropriate resilient surface material. See below for resilient surfacing recommendations.
- If your equipment includes any metal slides, they should be positioned in a shaded area, or at least positioned to avoid the sun's direct rays.
- **Never overlap the safety zones of adjacent equipment. All separate play equipment must have its own safety zone, and these cannot overlap.** So, if you have an existing structure with a slide exit oriented toward your new one, add your minimum safety zone to that of the existing slide to determine how far away you need to be.
- Never install playground equipment near, around, or in conjunction with swimming pools, ponds, lakes or any other bodies of water.

### CHOOSING RESILIENT SURFACING MATERIAL

Playground equipment must be installed on a soft, resilient, energy-absorbing ground surface. **NEVER INSTALL PLAY EQUIPMENT ON CONCRETE, ASPHALT, OR GRASS. A fall on a hard surface from even a low platform of 3' high can result in serious injury to the user.** Refer to CPSC and ASTM F1292 for recommended surfacing depths and requirements.

Tip: If your surfacing material is of the loose variety, checking for proper depth over time can be made easy by applying a non-removable florescent tape or paint in a bright color at the proper level on each post. Thereafter, as the resilient surfacing material compacts or washes away, the person responsible for regular maintenance inspections can easily see it must be replenished as the marks become visible.

## **AFTER THE EQUIPMENT IS IN USE**

- Never add components not intended for use with this product.
- Never install other play equipment, fencing, landscaping, etc., which encroach upon the safety zones of this equipment.
- Check to make sure that there are no overhead obstructions within the use zone of the playground equipment that are not part of the play structures (example: tree limbs). Any overhead obstructions should be at least 84" above each platform or designated play surface or 84" above the pivot point of swings. All overhead utility line clearances above the use zone area should comply with all local, state and national codes.
- Regularly inspect and maintain your playground equipment and its surrounding area. Proper maintenance of UltraPlay equipment includes using the accompanying Playground Maintenance Checklist to identify areas requiring repairs or replacement, and barricading the equipment to prevent use while corrections are being made.
- If your playground equipment includes any wood components, bolts may need to be re-tightened after initial use due to wood shrinkage. Check and re-tighten all fasteners after the first few days of use, and again after the first 3 weeks of use. Thereafter, exercise normal maintenance procedures. Using a thread-locking compound on the threads of bolts can help prevent persistent loosening.
- **'S' hooks must be completely closed. Replace all worn 'S' hooks, and never re-use 'S' hooks.**
- Pipes should never be allowed to turn. In the case of wood playground equipment, make sure all collars are snugly flush against the inside of posts with set screws tightened and wood screws flush against the outside of the collar, and all flat head bolts and set screws are tight. In the case of steel playground equipment, check set screws for tightness.

For specific information regarding playground safety and your responsibilities as the owner of this equipment, please contact the Consumer Product Safety Commission (CPSC), Washington, DC. for the latest guidelines for your play area and this equipment.

If any conditions or damages are discovered in violation of these Safety Guidelines or the accompanying Playground Maintenance Checklist, the play equipment should be barricaded immediately and children should not be allowed to use it until the conditions are corrected.

# Introduction to Installation Instructions

Revised 01.24.24

**IMPORTANT!** Please read the entire Installation Instructions packet before beginning the installation.

UltraPlay Play Systems are designed to take advantage of all Consumer Product Safety Commission (CPSC) Guidelines and ASTM standards in force at the time of purchase in an effort to help reduce the chance of playground accidents. However, because studies have shown most playground injuries result from accidental falls, you, as the new owner of this equipment, are responsible for providing and adequately maintaining **resilient play surfacing** under and around all playground equipment. Please refer to the accompanying Safety Guidelines as well as CPSC guidelines and this document for examples of such surfacing.

We would like to provide the following suggested guidelines for your play environment:

- Refer to the Footing Diagram and note the Minimum Area Required shown for this structure. This area must be filled with adequate resilient play surface material, and must be clear of all obstacles, including but not limited to trees, curbing, sidewalk, fence, other play equipment, rocks and landscaping, etc.
- **Acceptable play surfaces include sand, wood mulch, fine gravel or ground belt-less tires, if installed at the appropriate depths per CPSC guidelines for play surfacing.**
- When using sand, wood mulch, or ground belt-less tires, a minimum of 6" depth is recommended by the CPSC. UltraPlay recommends an additional 4", for a total of 10", to combat the fast compacting characteristics of these materials. Surfaces must be checked at least weekly for compacting, which reduces resiliency significantly.
- Paved surfaces such as asphalt, concrete, gravel or sod are not acceptable for use under playground equipment, or anywhere within the stated Minimum Area Required.
- Close supervision of children playing on or around the structure is strongly recommended, along with classroom and/or home instructions on acceptable behavior on the playground equipment. The full supervision of playgrounds is the responsibility of the owner once the play structure has been properly installed.

## **TOOLS REQUIRED:**

UltraPlay supplies the special bits required to fasten the "tamper-resistant" bolts. You will need common tools such as wrenches, Allen key set, drill, string line, level, mallet, shovels, post hole digger, pry bar, washable felt tip marker and a tape measure.

## INSTALLATION GUIDELINES:

1. Compare all parts received to the packaging list. Notify UltraPlay immediately of any missing parts. We are not responsible for parts discovered missing over 10 days after receipt of the shipment.
2. Refer to your Footing Diagram to ensure this structure will fit into your actual site area. Note the Minimum Area Required measurements to determine clear space required. A minimum of 6' clearance is required between any obstacles and your structure. EXCEPT for slide exits, which require a distance X equal to the highest point of sliding surface with a minimum of 6' and a maximum of 8' from the edge of the slide (example: A slide from a 6' high deck requires 6' of clear space with resilient surfacing in front of its exit).
3. Site selection should include considerations of what is a safe and appropriate play area:
  - a. A level and clear site is ideal, free of power lines or electrical equipment.
  - b. Do not install play equipment near any bodies of water.
  - c. If adjacent to a street with traffic, ensure adequate fencing acts as a barrier to children running into danger.
4. Site layout should include accurate measurement and marking of all footings prior to any installation. Use the dimensions shown between footings on the Footing Diagram to plot out the actual footprint of the play structure before doing any digging. Also, locate any free-standing play equipment in the same way, providing the necessary clearance between the equipment as well as any fences, trees, etc. Ensure at this time that you have enough total space for the equipment to be installed.
5. Excavate holes as shown in the Footing Diagram using a string line. An optional string line level is very helpful. If a level and clear site is not possible, adjust the depth of the footings to maintain a minimum depth of 18 in. for support posts at the lowest grade. NOTE: if soil conditions are very loose or otherwise unstable, a larger diameter footing may be required. Consult with local contractors for appropriate recommendations.
6. Begin your UltraPlay play systems installation by erecting the decks as shown within the following instructions.

**IMPORTANT: Do not concrete product until installation is complete!**

Once all decks are installed, components such as slides, climbers, etc., can be connected per their respective assembly instructions. Note that connecting components between decks such as Horizontal Ladders, Crawl Tunnels, Trapeze Beams, etc., should be installed concurrently with the decks to ensure they meet accurately.
7. CPSC guidelines mandate that there should be no gaps present in the playground equipment which fall between 3 ½" and 9". The positioning of certain components by the installer can affect this criteria, so you should always measure distances created when attaching components by the installer, which can cause entrapment of a child using the equipment. Also, ASTM requires that no more than 2 threads of bolt can protrude from the nut. Any excess threads should be filed down and made smooth to the touch.

8. When concrete is poured, be sure to keep the top 4" below the grade, and sloped away from the post to promote good water drainage. Wash off any concrete, which may have splashed onto the post before it dries. Allow all concrete to harden a minimum of 48 hours before using equipment.

## **SAFETY DURING INSTALLATION:**

1. Before doing any excavation, inquire about any existing underground utilities.
2. Do not leave the job site unattended without making sure that all fastening hardware on all equipment are tightened and all Drive Rivets are in place to prevent clamps from moving, in case of unauthorized use. **UltraPlay CLAMPS ARE NOT DESIGNED TO SUPPORT HUMAN WEIGHT WITHOUT THE DRIVE RIVETS INSTALLED, AND SUCH USE COULD CAUSE INJURY TO THE USER AND/OR DAMAGE TO THE EQUIPMENT.** It is also strongly recommended that all installation areas be roped off with clearly marked warning signs posted. Any open footings should be covered with plywood or other suitable material. Even during installation, it has been found that children will use the unattended equipment, thereby risking accidents.
3. The installation area should remain roped off for at least 48 hours after the last concrete footer is poured. Children should not be allowed to use the equipment during this period so that concrete has a chance to fully set.
4. Do not attach swing chains, trapeze rings or similar moving components until after all construction is complete and resilient surfacing material has been installed. Remember that any equipment, which appears to be complete and functional will invite unauthorized use regardless of its actual state of readiness.

Finally, if you should have any questions regarding the proper installation of this equipment, please contact UltraPlay at:

1675 Locust St  
Red Bud, IL 62278  
TOLL Free: 888.403.7684



# PLAYGROUND MAINTENANCE CHECKLIST



Maintaining your playground equipment as well as its surrounding area is essential to minimizing the risk of injury to users as well as maximizing its useful lifespan. UltraPlay recommends the following maintenance procedures be followed:

**On a daily basis:** A responsible individual should conduct a brief visual check for structural defects, signs of vandalism and litter of foreign matter that needs to be removed.

**On a weekly basis:** A responsible individual should complete this checklist. Any required repairs should be detailed on the separate **Detailed Maintenance Record**, and once they are completed, both should be filed for future reference. A separate file and form should be kept for each play structure at each location.

**IMPORTANT:** Always refer to – and comply with – the separate Safety Guidelines and ASTM and CPSC Guidelines. The play structure(s) should be barricaded so that it cannot be used while repairs are being completed.

	Item to be Checked <small>(use the following page to record a brief description of the necessary repairs)</small>	OK	Repairs Required	Date Repaired
<b>A.</b>	<b>Play Structures in General</b>			
	Post and component footings are not exposed, cracked or loose			
	1. Clamps show no signs of slippage, cracking, or failure			
	2. Clamp drive rivets and hardware are secure			
	3. Welds are intact and free of cracks			
	<b>a. Slide and Deck Enclosures</b>			
	b. Overhead Activities			
	c. Climbers			
	4. No rust or corrosion			
	5. No splintered, cracked, gouged or otherwise deteriorated plastics; check for integrity of the plastic, keep plastic clean of any extraneous substances, verify that any deformation does not create an entrapment as specified on ASTM-F-1487 section 6.			
	6. No scratched, chipped, or peeling paint			
	7. Metal parts show no visible cracks, bending, warping or breakage			
	8. No missing bolts, nuts, etc.			
	9. All bolts, nuts, and fasteners are tight			
	10. All joints are secure (pay special attention to sectional slides, flush mounted decks, and pipe connections)			
	11. All swivels, bearings, grease fittings, and moving parts are well lubricated and not excessively worn pay special attention to tire swings, tot swings, strap swings, track rides, and trapeze rings			
	12. No broken or missing parts			
	13. No sharp edges or unsafe protrusions (check metal corners, bolts, etc.)			
	14. No exposed mechanisms, junctions of moving parts or components that will pose possible pinch or crush points			
<b>B.</b>	<b>Play Events</b>			
	1. Plastic is not cut or cracked			
	2. All slide supports/anchors are intact and secure			
	3. All 'S' hooks are closed and not excessively worn			
	4. Clatter bridge chain and connections are not excessively worn, especially at connection points			
	5. Connectors and Chain have free movement			
<b>C.</b>	<b>Surrounding Area</b>			
	1. Resilient surfacing material is not scattered or excessively worn			
	2. Resilient surfacing material is adequately deep and retains its fall absorbing abilities as specified at the time of installation			
	3. Border around playground is in good condition and has not come loose			
	4. No roots, rocks, or other objects that may cause a tripping or injury hazard			
	5. Area is clean of litter (no broken glass or bottles, etc.)			



# Table of Contents

- INTRODUCTION ..... 2**
- BEFORE YOU BEGIN ..... 2**
- RECOMMENDED TOOLS ..... 2**
- SORTING COMPONENTS ..... 2**
- ASSEMBLY OF THE BASIC STRUCTURE ..... 3**
- FINAL PROCEDURES ..... 3**
- FOLLOW UP ..... 4**
- PROTECTION AGAINST ENTANGLEMENT ..... 5**
- TYPICAL CONCRETE FOOTINGS ..... 10**
- TYPICAL CONCRETE REQUIREMENT ..... 10**
- FROST HEAVE AND FOOTINGS ..... 13**
- PLATFORM CONFIGURATIONS ..... 14**
- TYPICAL THREADED INSERT INSTALLATION ..... 15**
- TYPICAL HOLE PLUG INSTALLATION ..... 15**
- TYPICAL END CAP INSTALLATION ..... 16**
- TYPICAL FULMER CAP INSTALLATION ..... 17**
- TYPICAL DO-NUT INSTALLATION ..... 18**
- TYPICAL 12" HANDGRIP INSTALLATION ..... 19**
- TYPICAL 24" & 36" HANDGRIP INSTALLATION ..... 19**
- TYPICAL ACCESS PLATFORM INSTALLATION ..... 20**
- TYPICAL PLATFORM INSTALLATION ..... 21**
- TYPICAL PLATFORM SUPPORT CROWN INSTALLATION ..... 21**
- TYPICAL FOUR PLATFORM SUPPORT INSTALLATION ..... 22**
- TYPICAL ENCLOSURE INSTALLATION ..... 23**
- TYPICAL SOFT EDGE INSTALLATION ..... 24**
- TYPICAL 9-BOARD EXTENSION INSTALLATION ..... 25**
- TYPICAL 12-BOARD EXTENSION INSTALLATION ..... 26**
- TYPICAL 9-BOARD OFFSET EXTENSION ..... 27**
- GLOSSARY OF TERMS ..... 28**
- CONTACT INFORMATION FOR SAFETY STANDARDS ..... 29**

## Introduction

Congratulations on your selection of a BigToys play structure. You have chosen a high quality product that, when properly installed and maintained, will withstand many years of hard use. Unlike traditional playground equipment, BigToys is a modular system, designed by our experienced professionals to create a safe, yet challenging play structure. This instruction packet has been developed to help you install your new play structure according to the manufacturer's specifications as required for compliance to all internationally recognized safety standards.

## Before You Begin

Please read this entire *Installation Prolog* as well as the *General Information and Site Preparation* document and follow all instructions carefully.

Briefly reviewing the instructions for each play event in advance will help to ensure proper installation and save you valuable time. If you find any instructions missing, please request a free replacement before starting work.

If questions should arise before or during the installation process, please call your BigToys representative. You may also contact BigToys directly at 360/528-8697.

## Recommended Tools

(Not all tools on this list will be required for every installation, but most will come in handy.)

2' and 4' Bubble Level	Claw Hammer
Complete Hex Key Set	Dead Blow Hammer
Drill and Bits Ø1/8" to Ø1/2" and Ø11/16" <sup>1</sup>	Socket Set 3/8" – 3/4" Ratchet w/extension
Ø7/8 Spade Wood Bit <sup>1</sup>	Pick Bar
Posthole Digger	Rubber Mallet
Sledge Hammer	Hack Saw
Square Drive Bits #2,#3	8ft. Step Ladder
Open End Wrench set	Tape Measure 25'

## Sorting Components

Sorting components into these common groups will help you quickly locate the correct items during installation:

*Metal Columns* - Sort by length and part number. Take care to remove all staples prior to removal from the protective packaging.

*Platforms and Platform Extensions* - Sort by size  
*Threaded Inserts*

(See Typical Threaded Insert Installation")

*Hole Plugs*

(See "Typical Hole Plug Installation.")

*End Caps / Column End Fittings*

(See "Typical End Cap Installation")

(See "Typical Column End Fitting Installation")

*Metal Brackets* – Sort by part number and finish color.

*Pipes* - Sort by part number and finish color.

*Connector Packages* – Sort by part number.

**Note: Connector Packages must be used only with the activity or assembly designated. Spare parts packages are provided to replace missing or damaged parts from other packs as needed.**

### IMPORTANT!

**Warning: During Installation, Hardware And Small Parts Are Choking Hazards For Young Children. Store Unused Parts Appropriately Until Assembly Is Completed.**

**Once Assembly Is Completed, Remove Any Unused Parts from the Play Environment and Dispose/Save Them in A Secure Location.**

**Any bolt end protruding more than two full threads beyond the face of the nut causes risk of clothing entanglement. Promptly cut-off flush, file smooth, and treat to prevent corrosion.**

**Note: Peen Tee-Nuts and Flat washers to match radius of pipe after assembly is complete.**

**Note: Loctite (supplied by others) should be used on any non-patch hardware.**

<sup>1</sup> Only required when Wobbly Walk or Suspension Bridge is to be installed.

## Assembly of the Basic Structure

Generally, the best procedure is to locate and dig the footing holes first and plumb and level the structure as assembly progresses. The footing depth is determined by the depth of the resilient surface.

Be sure to lay out the footing locations carefully. Site dimensions can be checked by arranging the full-sized components in their respective positions.

*Note: If your structure includes a PlayShell Fort, we strongly recommend that assembly of the play structure begin with this play event. This ensures that platform(s) attached to the fort will be at the correct height. The top surface of the first layer of PlayShells must be level and set 5/8 inches above the resilient surface.*

BigToys systems are flexible and can be corrected or adjusted at any stage of installation, however much time and effort can be saved if care is taken to plumb and level the main structure during assembly.

### **IMPORTANT!**

**Do not pour concrete until assembly is complete and the entire structure is plumb and level.**

The installation of some play structures may take more than one day. It is recommended that all tools and materials be secured prior to leaving the site unattended. Temporary fencing should be used to prevent children from playing on the unfinished play structure.

### **IMPORTANT!**

**As a general assembly rule, do not fully tighten all hardware or install Do-Nut Caps until the installation process is fully completed.**

## Final Procedures

1. Thoroughly inspect the structure to ensure that installation does not deviate from BigToys installation instructions.
2. Install all entanglement prevention hardware as described in "Protection against Entanglement" and in the individual play activity instructions.
3. Check all joints and connections to ensure they are tight and secure. Install protective covers according to instructions.

### **IMPORTANT!**

**All bolts with more than two threads exposed must be trimmed back to less than two threads and peened over to eliminate sharp edges.**

4. Install all labels in prominent, visible locations per the instructions included in each package. BigToys suggests that you also review labels and other safety information with the owner/operator.
5. Remove all waste or injurious materials from the site. Do not burn treated wood or plastics.
6. Resilient surfacing must be installed as recommended by either the safety standard for your locale or your BigToys play consultant.
7. Prior to opening the playground, the use zone should be free of all obstacles (other than the play equipment itself) that children could run into or fall on top of and thus be injured.
8. Prior to opening the playground a thorough safety inspection should be performed by a qualified person. The play structure must be inspected for compliance with all clearance zones, use zones, no-encroachment zones, and resilient surfacing requirements.

### **IMPORTANT!**

**The playground must be fully installed and inspected with the protective surfacing in place before users can safely play on the equipment. Failure to comply with this recommendation can lead to serious injuries or death of the user.**

## Follow Up

Playground maintenance and inspections are a continuous and integral part of providing a safe play environment. Inspection and maintenance costs should be incorporated into an operating budget to ensure the continued safety of your play structure<sup>1</sup>.

**BigToys strongly recommends that all owner/operators obtain and familiarize themselves with all relevant safety standards for their locale. This will help to quickly identify potential safety problems or hazards that can occur through the life of the product. Addresses and phone numbers for obtaining these safety standards are listed at the end of this document.**

## Repairs

Occasionally, parts may require replacement due to breakage or wear. These parts should be replaced as soon as possible. Be sure to use only official BigToys replacement parts, assemblies, hardware, and special tools. Only genuine BigToys replacement parts, assemblies, and hardware used to repair playstructures or play events can be guaranteed to meet our safety or wear standards.

If repairs cannot be made immediately, the owner/operator should prevent access to that portion of the playstructure or the entire structure until repairs are completed.

All repairs should be in accordance with this manual and the installation instructions where necessary or recommended. Replacement parts and copies of installation instructions can be obtained either through your BigToys sales consultant or by contacting BigToys Inc. directly at the phone number or the address shown in the introduction of this manual.

<sup>1</sup> *Annual Cost Considerations* (Appendix E) from the Canadian Standard (CAN/CSA Z614-98), provides suggested outline of what should be considered in establishing a budget for your playground.

We have provided a touch-up pen for your metal uprights in the assembly materials package. Should you need a touch-up pen for any other powder coated component, please either call 360-528-8697 or email [info@bigtoys.com](mailto:info@bigtoys.com) and we will send you one at no charge

### **IMPORTANT!**

**Be sure to use only official BigToys replacement parts, assemblies, hardware, and special tools. Only genuine BigToys replacement parts, assemblies, and hardware used to repair playstructures or play events can be guaranteed to meet our safety or wear standards. These parts, assemblies, and hardware can be obtained from you local sales representative or BigToys® at 360/528-8697.**

### **Attention All Contract Installers:**

***Please be sure to present the enclosed Safety and Maintenance Manual to the owner/operator. This manual contains important safety information, suggested inspection and maintenance schedules, and maintenance procedures. If possible, we suggest that you also review a copy of the manual with those persons directly involved in the maintenance of the play structure.***

## Protection against Entanglement

BlgToys has identified two types of possible entanglement areas found at and within 24" of the entrances to Slides and Slidepoles on BlgToys equipment and has created a solution for each. (See examples below)

- **Type P1:** V-shaped areas found where our platforms meet the vertical columns.



**Corner Plate with Screws  
(P1)**

- **Type P2:** Gaps found at the top of the Enclosure where it meets the column.



**Enclosure Filler Plate  
(P2)**

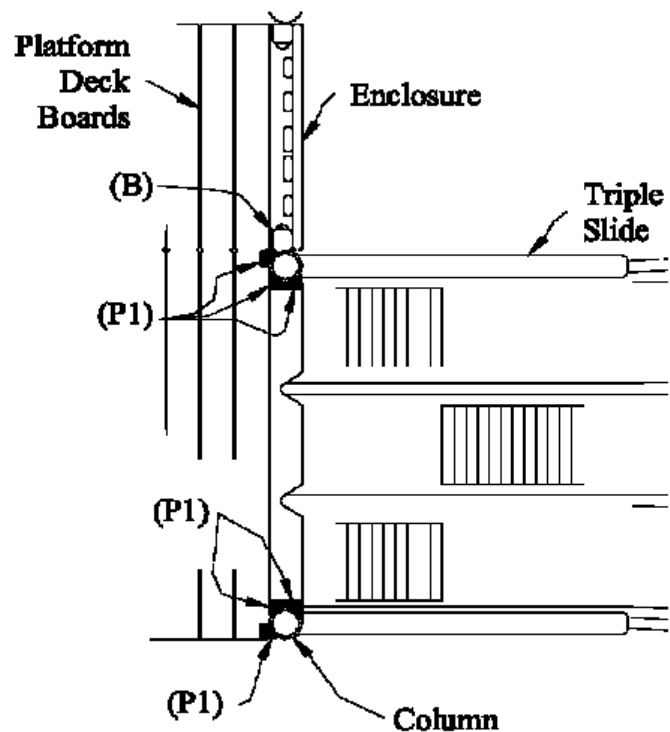
- **Type B:** Gaps found at the bottom of the Enclosure Support and the top of Accessible Stairs.



**Corner Protector with Screws  
(B)**

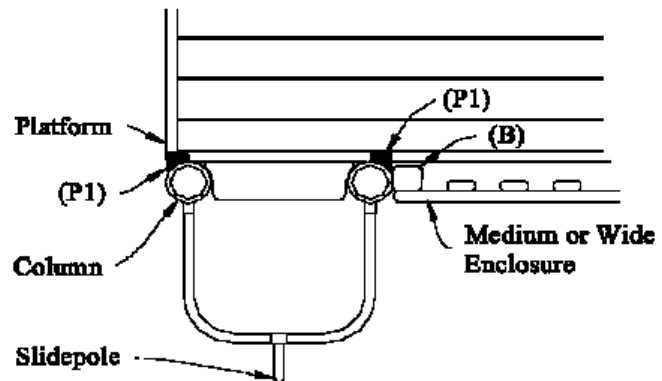
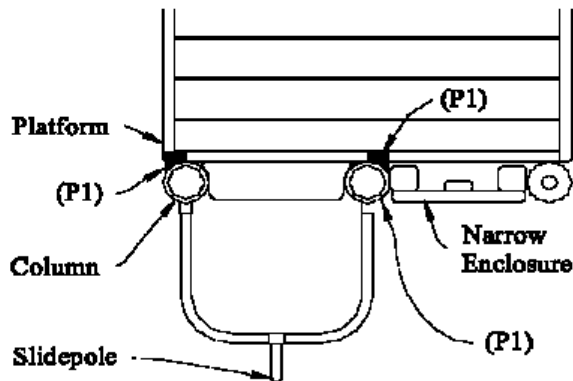
Note: It is important to assemble each structure carefully and according to the installation instruction in order to prevent additional entanglement around Slides and Slidepoles. Make sure all connections are tight and all pieces fit together properly.

You should refer to your structure design for location of these entanglement protectors. Each type will be shown on an overhead view as part of the Installation Detail drawing included with your Installation Instruction Packet. Each type will be designated with a letter and arrow as shown in the examples below.



**Examples (Triple Slide)**

## Examples (Slidepoles)

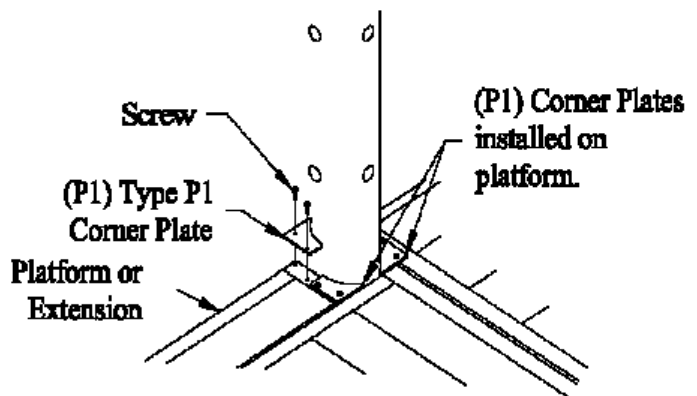


### Installing Type (P1) Corner Plates around a Platform

1. Installing Type P1 Corner Plates, position tight against the column and align flat sides of plate with sides of platform and attach to platform screw as shown.
2. Position Corner Plates snug against the column and align flat sides of plate with sides of platform and attach to platform as shown.

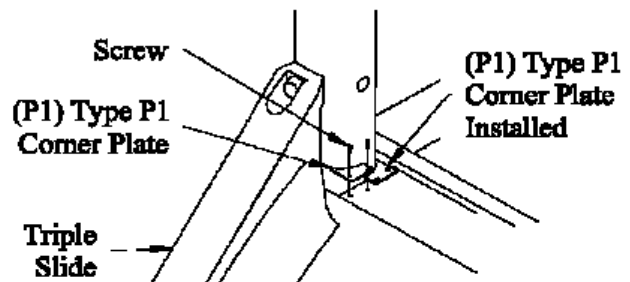
*Hint: To secure screws initially, lightly tap screws into platform with a small hammer as you would a nail, then use a screw driver to tighten.*

*Note: Make sure plate does not shift away from column when tightening screws.*



### Installing Type (P1) Corner Plates around a Triple Slide

1. Install Triple Slide per instructions and tighten all fasteners.
2. Position Corner Plates snug against the column and align flat sides of plate with sides of platform and attach to platform as shown.



### Installing Type (B) Corner Protector on Enclosure Support

1. Position Type (B) Entanglement Protector onto corner of Enclosure Support as shown.

*Note: part must fit flat against top of platform before and after screws are installed.*

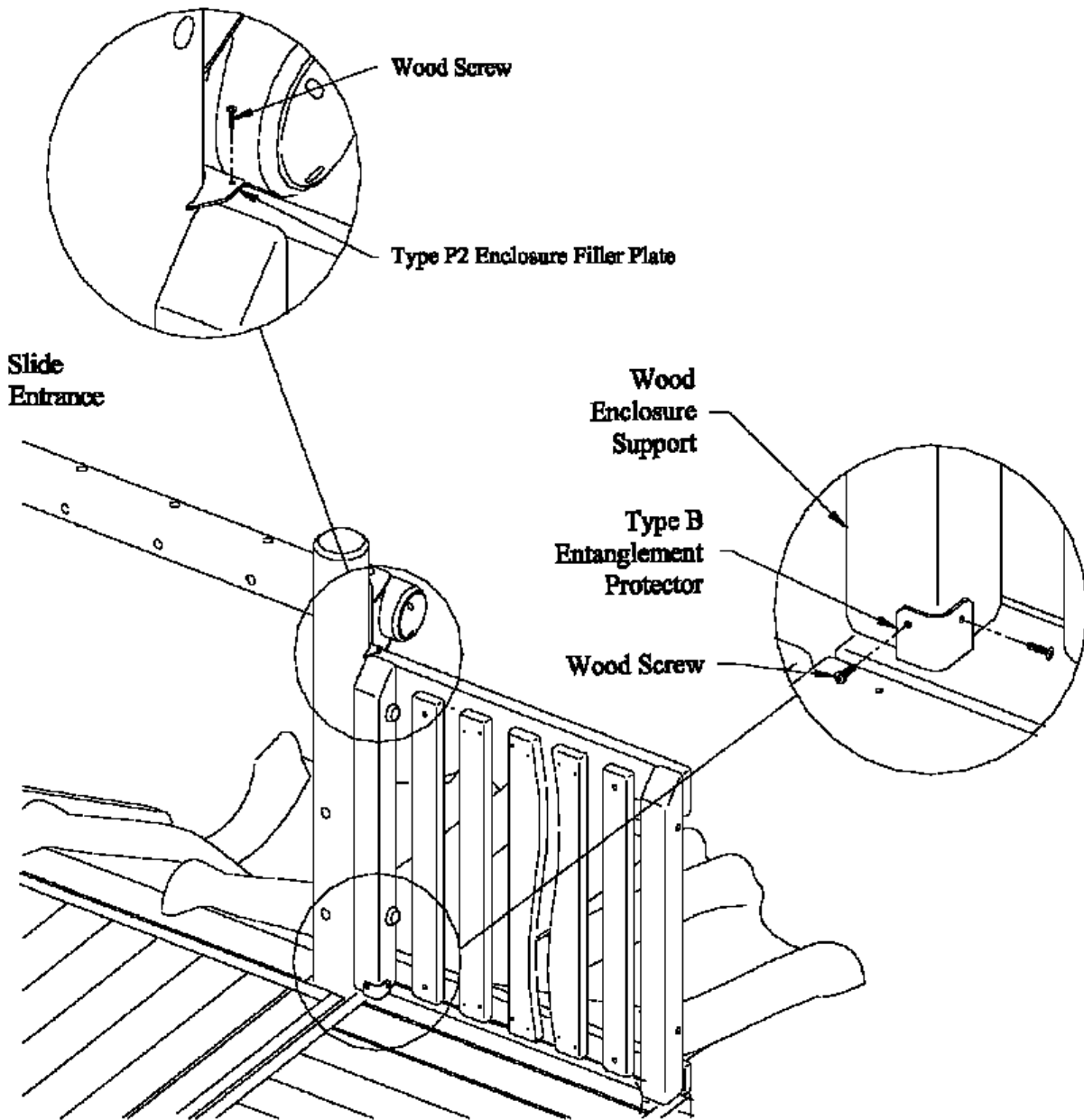
2. Install Screws.

### Installing Type (P2) Entanglement Plates on Enclosures

1. Position Type (P2) Enclosure Filler Plate onto corner of Enclosure Support as shown.

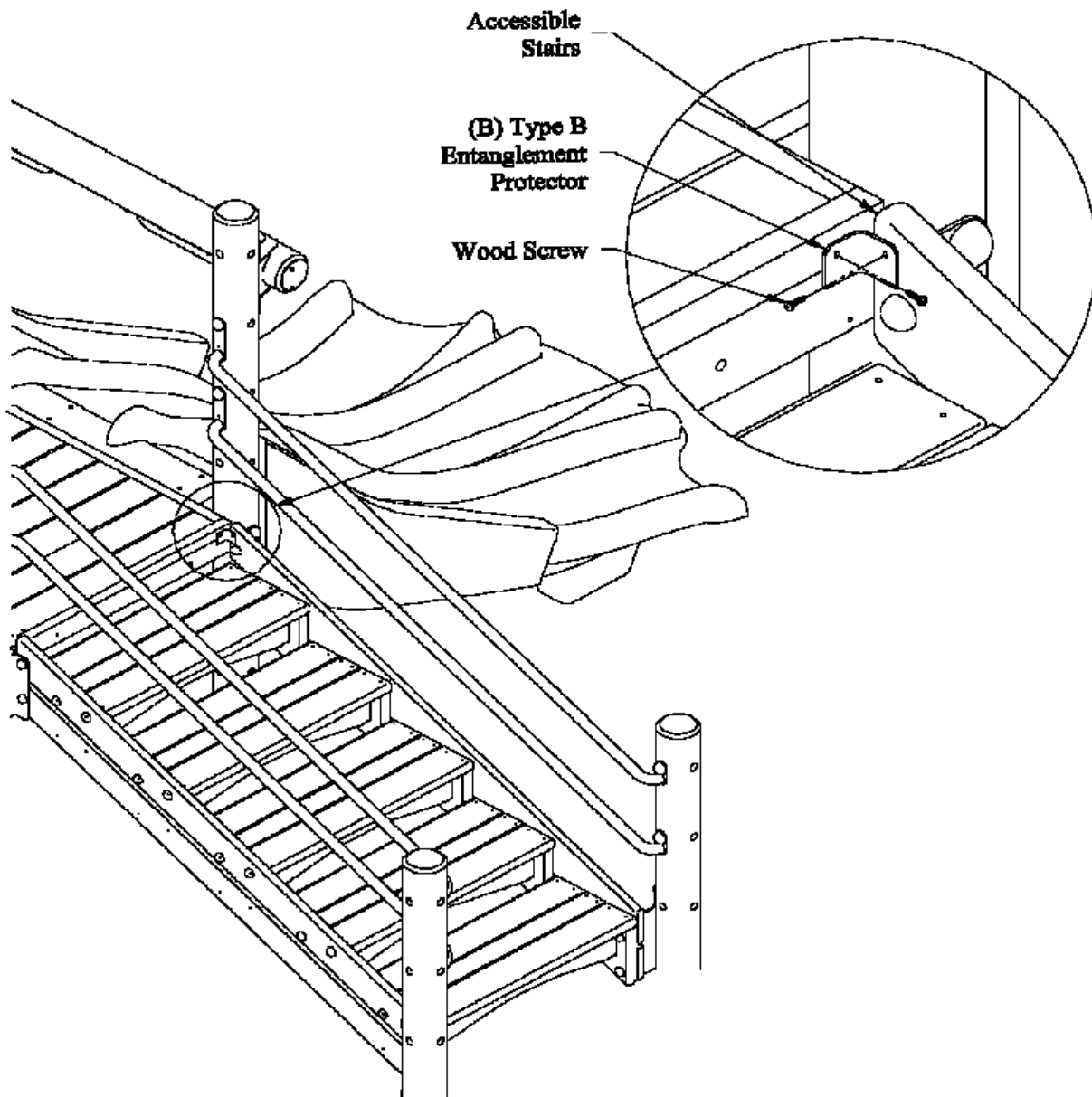
*Note: part must fit flat against top of platform before and after screws are installed.*

2. Install Screws.



## Installing Type B Entanglement Plates on Accessible Stairs

1. Position (B) Type B Corner Protector into the upper corner of Stair adjacent to the entrance of a slide or Slidepole. *Note: Top of Corner Protector must be installed below the radius of boards.*
2. Install wood screws.



## Installing Entanglement Plates on Adjacent Platforms and Enclosures

1. **Position Type P1 Corner Plates**, Align flat sides of plate with sides of platform and attach against the column

2. **Install wood screws.**

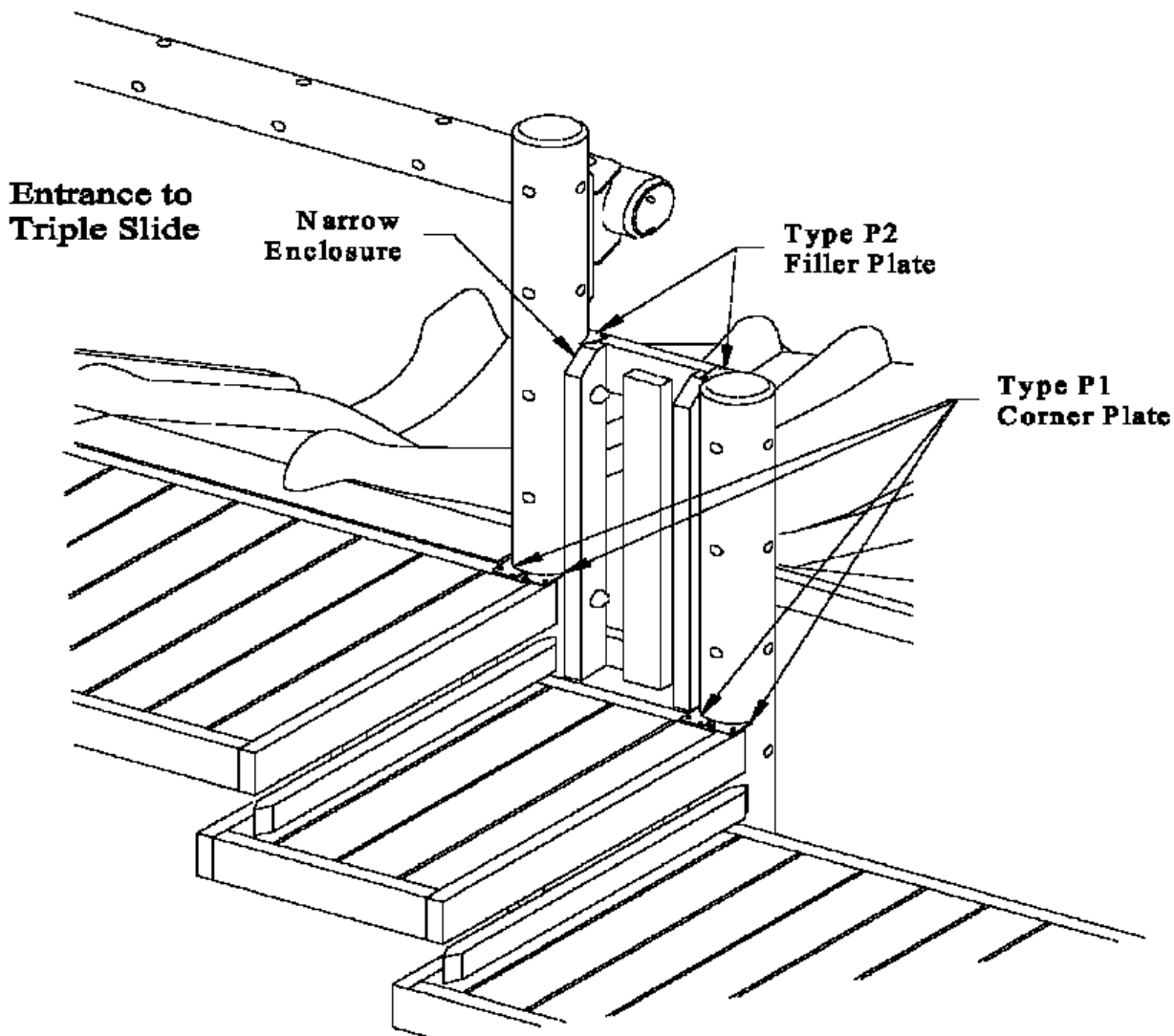
*Hint: To secure screws initially, lightly tap screws into platform with a small hammer as you would a nail, then use a screw driver to tighten.*

**Note:** Make sure plate does not shift away from column when tightening screws.

1. **Position Type P2 Enclosure Filler Plate** onto desired top corner of Enclosure Support.

2. **Install wood screws.**

*Note: Part must fit flat against enclosure and tight against column before and after screws are installed.*



## Typical Concrete Footings

Footings depth depends on:

- ◆ The thickness of the resilient surface you have chosen for your BigToys play structure.
- ◆ The various types of footing are:
  - Standard-Column Footing
  - Pipe Footing
  - Ground Level Activity Footing
  - Deep-Column Footing

The distance from the top of the resilient surface to the bottom of the footing is different for each footing type:

Footings Type	BigToys 5-12	EarlyWorks 2-5
Standard Footing	28"	21"
Deep Column Footing	40"	33"
Pipe Footing	28"	21"
Ground Level Activity Footing	33"	26"

*Note: Refer also to the information found in "Frost Heave and Footings" on page 12.*

Use this simple formula to find the footing depths for your BigToys play structure:

Total Depth of footing minus Resilient Surface Thickness equals Footing Depth.

$$TD - RST = FD$$

**Example:** to find the footing depth for a BigToys 5-12 Standard Footing with 12 inches of resilient surface, the formula would look like this:

$$28" - 12" = 16"$$

Your footing depth is 16".

## Typical Concrete Requirement

1. All Footings should bear on firm, undisturbed soil capable of permanently supporting 2500 pounds per square foot.
2. Prepackaged concrete should be mixed per manufacturer's instructions.
3. Ready-mix concrete should contain five sacks of cement per cubic yard minimum.
4. All concrete should have a minimum 2500 pounds rating and conform to U.B.C., state, and local codes.
5. When concrete has been poured in the holes, finish the top surface of the footing so that it is smooth and sloping away from the column or pipe.

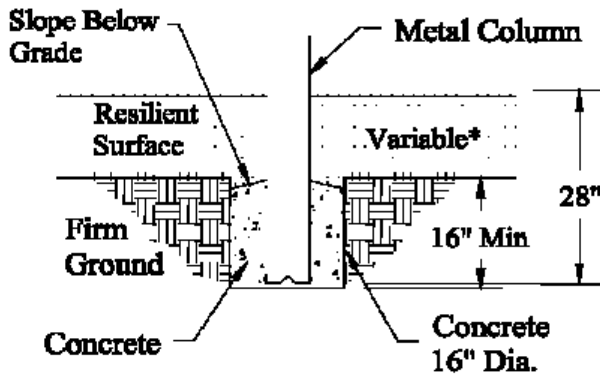
Depth of resilient surface will vary depending on the type surfacing used. (See enclosed USCPSC report.)

# Typical Concrete Footings BigToys 5-12

## Standard Footing

(BigToys 5-12)

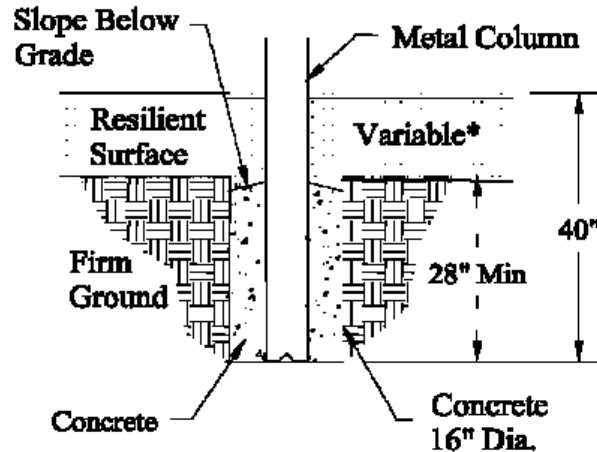
(1.6 to 2.6 cubic feet of concrete)\*\*



## Deep Footing

(BigToys 5-12)

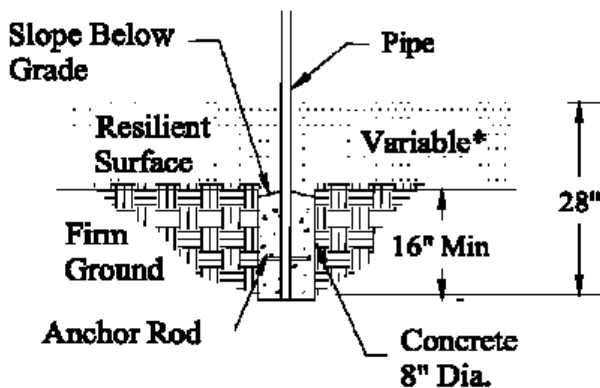
(2.8 to 3.8 cubic feet of concrete)\*\*



## Pipe Footing

(BigToys 5-12)

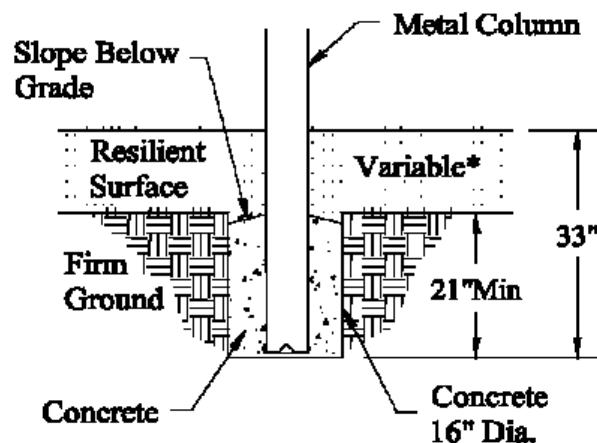
(0.5 to 0.75 cubic feet of concrete)\*\*



## Ground Level Activity Footing

(BigToys 5-12)

(2.1 to 3.1 cubic feet of concrete)\*\*



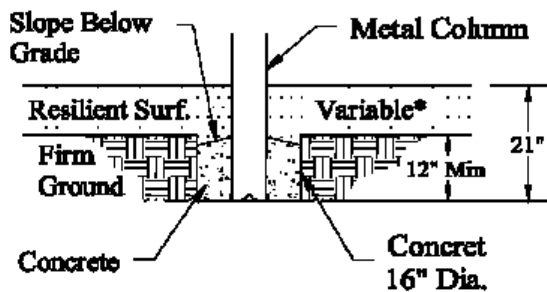
*\*Depth of resilient surface will vary depending on the type of surfacing used. (See enclosed USCPSC report.)*

**\*\* The concrete volumes listed are approximations based on the maximum and minimum resilient surface thickness' available. Varying soil conditions may also affect volumes.**

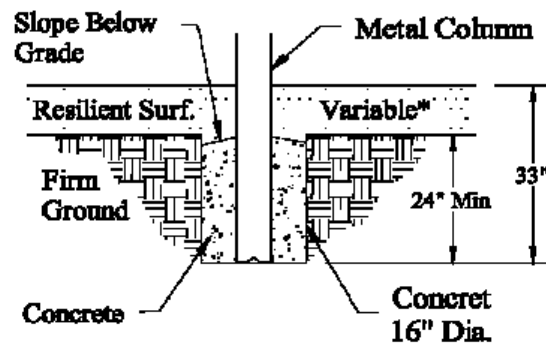
# Typical Concrete Footings

## EarlyWorks 2-5

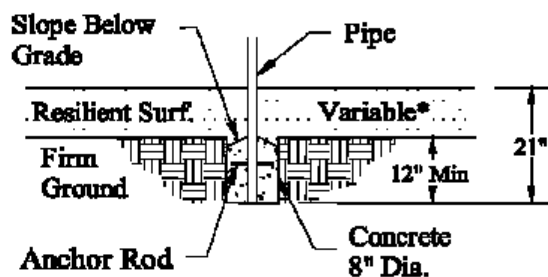
**Standard Footing**  
 (EarlyWorks 2-5 yrs)  
 (1.2 to 1.9 cubic feet of concrete)\*\*



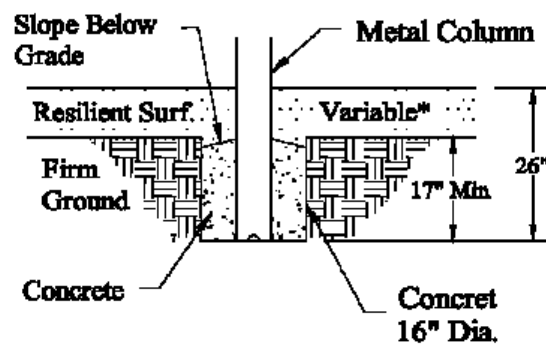
**Deep Footing**  
 (EarlyWorks 2-5 yrs)  
 (2.4 to 3.1 cubic feet of concrete)\*\*



**Pipe**  
 (EarlyWorks 2-5 yrs)  
 (0.4 to 0.6 cubic feet of concrete)\*\*



**Ground Level Activity Footing**  
 (EarlyWorks 2-5 yrs)  
 (1.7 to 2.4 cubic feet of concrete)\*\*



*\*Depth of resilient surface will vary depending on the type of surfacing used. (See enclosed USCPSC*

*\*\* The concrete volumes listed are approximations based on the maximum and minimum resilient surface thickness' available. Varying soil conditions may also affect volumes.*

## Frost Heave and Footings

Frost heave footings should be used only when local, state, or provincial codes or ordinances require that footings be installed below the combined depth of footing and the resilient surface call-out indicated by the installation instruction details. Columns and footing pipes will need to be suspended in the footing holes to achieve the proper heights above ground.

Frost heave footing depth depends on:

- The thickness of the resilient surface you have chosen for your BigToys play structure.
- Nominal depth of the footing (BigToys 5-12 standard footing- 16 inches or deep footing - 28 inches).
- Frost line depth.

Use the following formula to find the frost heave footing depth of your BigToys play structure.

Total Frost Heave Depth of footing minus Resilient Surface Thickness equals Footing Depth.

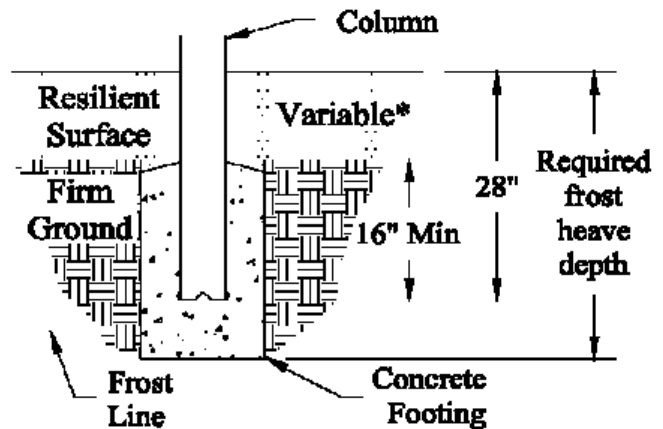
$$TD - RST = FD$$

**Example:** To find the footing depth for BigToys 5-12 Standard-Column with 12 inches resilient surface and a 36-inch frost line, the formula would look like this:

$$36'' - 12'' = 24''$$

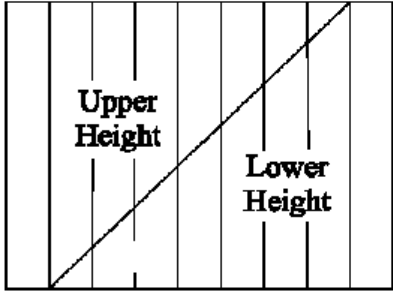
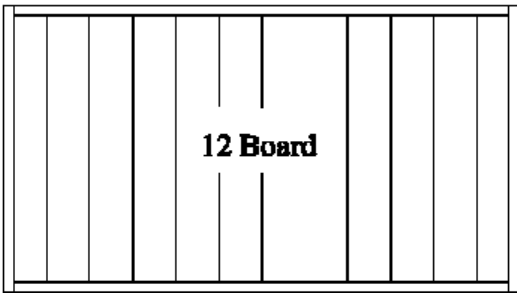
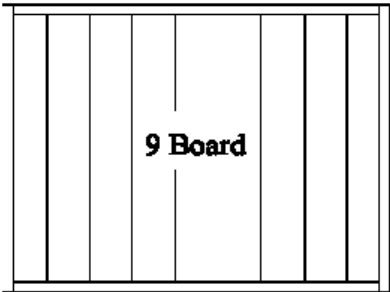
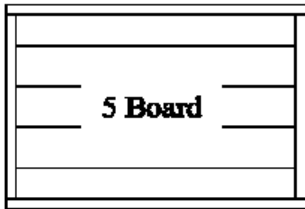
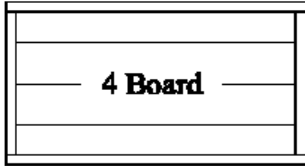
*Note: this same process can be used for all non-columns footing as well.*

*Note: Dimensions in this example are similar to those in BigToys 5-12 Standard Footing, but footing has been extended below frost line.*

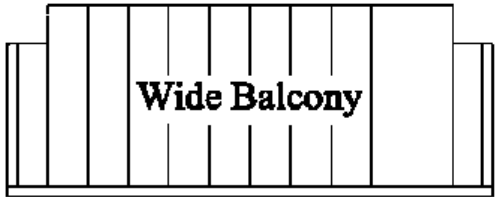


**Example Frost Heave Footing**

# Platform Configurations



Split Platform



## Typical Threaded Insert Installation

1. Lubricate the provided tool on the exposed thread and the head of the captive bolt.
2. Thread the captive bolt into the Threaded Insert as shown.
3. Insert the Threaded Insert into the hole on the column as specified in the installation instruction and hold the wrench in place.
4. While holding the wrench still, use a ratchet or 3/4" wrench to tighten the captive bolt to within the torque range of 20-28 ft-lb.

### HELPING HINT!

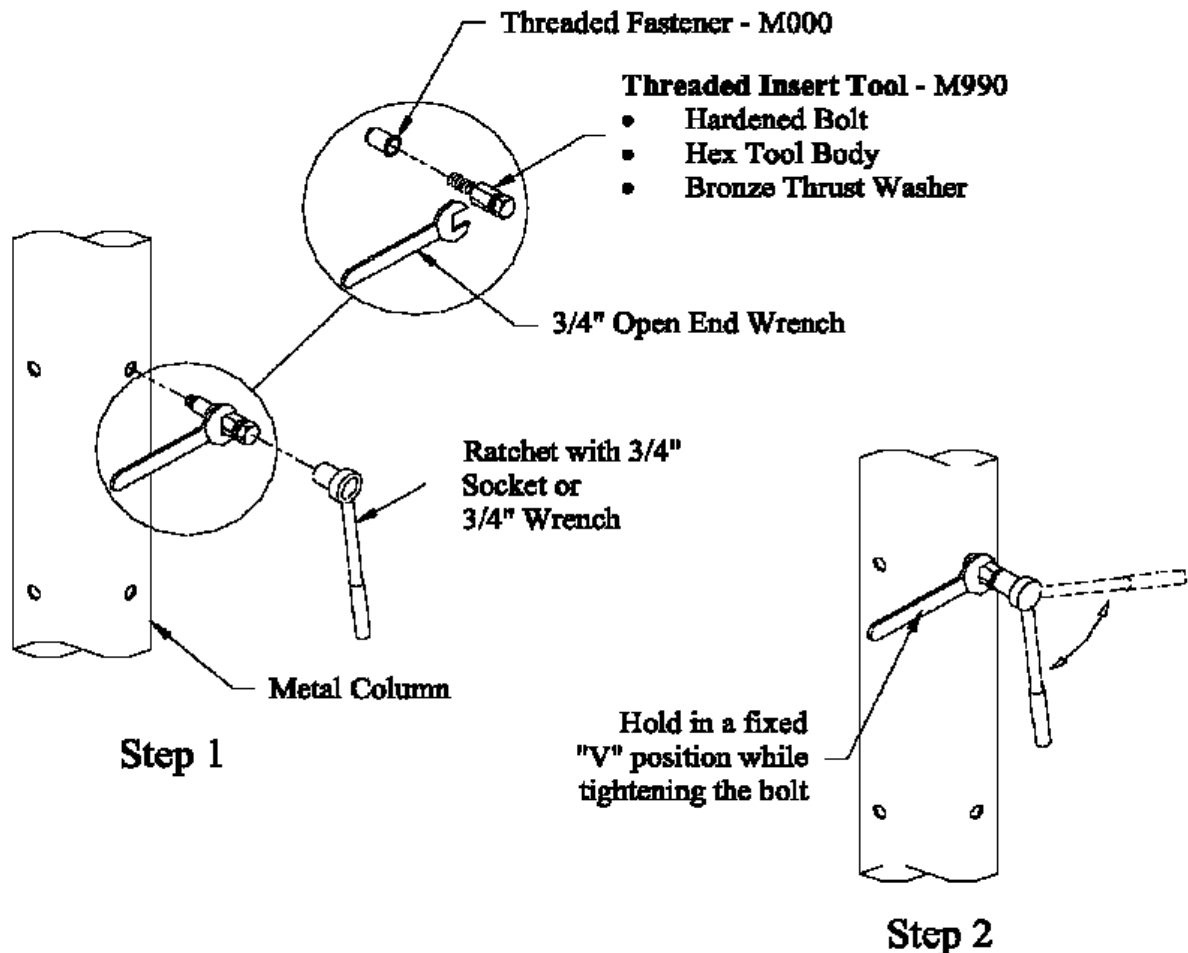
Form a tight "V" with wrenches to make the process easier.

### HELPING HINT!

Basic Threaded Insert Tools can be found in the E002\_ Assembly Materials Package.

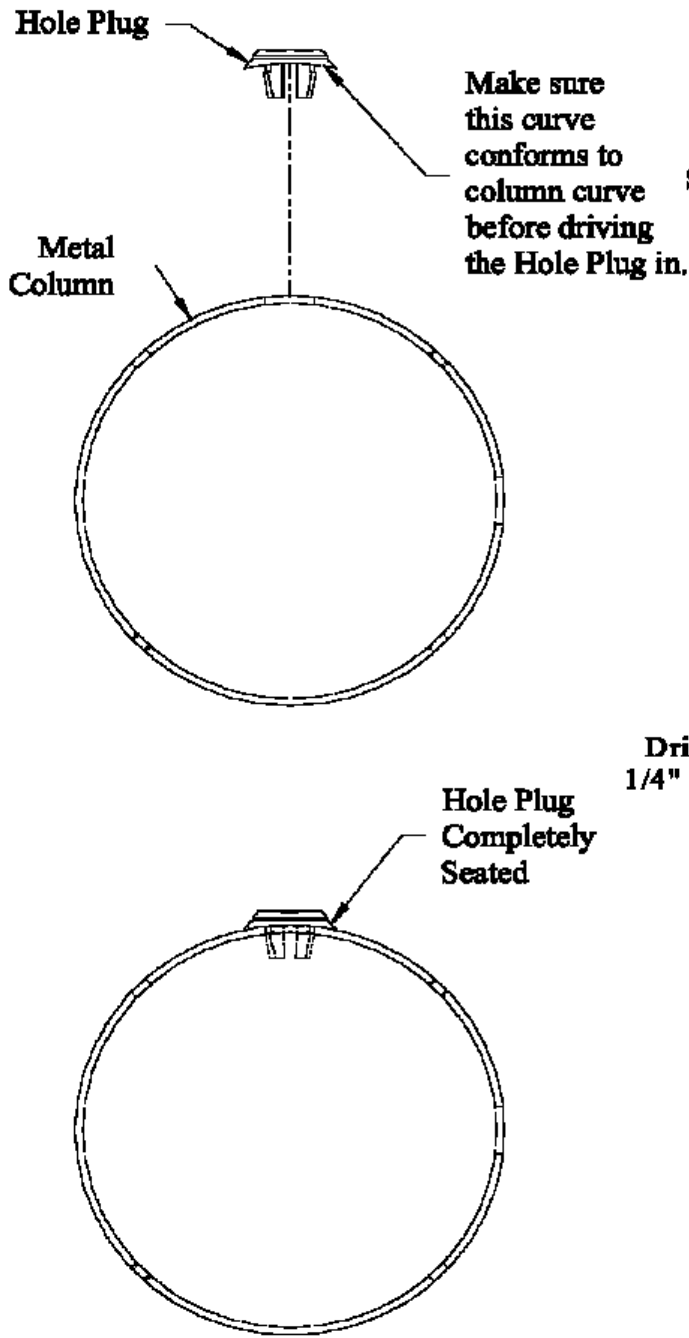
### IMPORTANT!

Note: If the Threaded Insert is damaged or fails, it can be easily removed by drilling through the head of the Threaded Insert using an 11/16" drill bit.



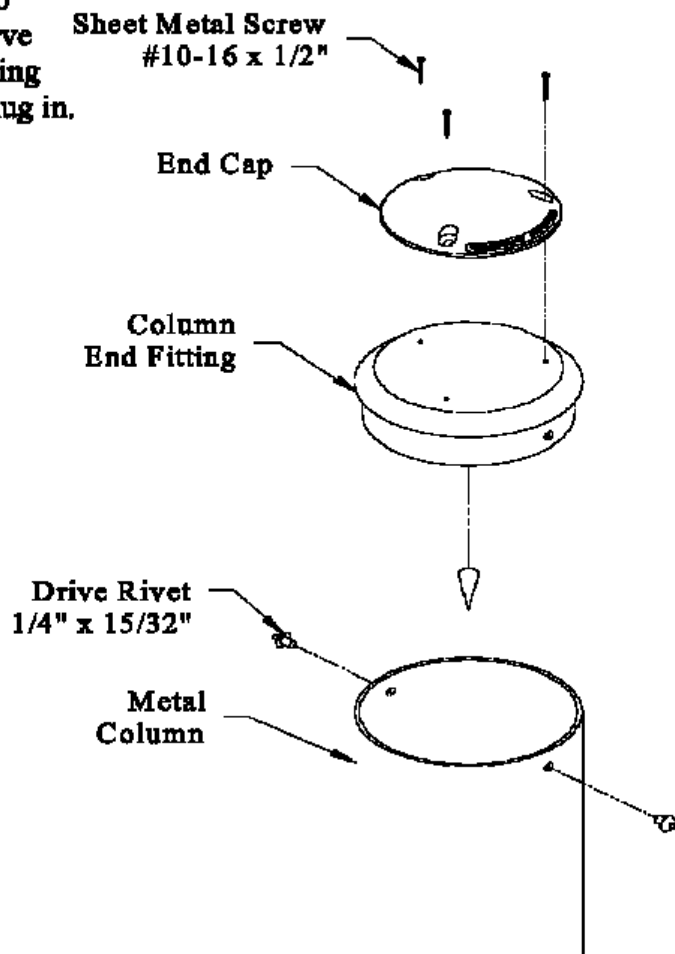
## Typical Hole Plug Installation

1. When playground installation is completed, install the Hole Plug into every open column hole and align as illustrate below.
2. Drive the Hole Plug into the column hole using a soft hammer until completely seated.



## Typical End Cap Installation

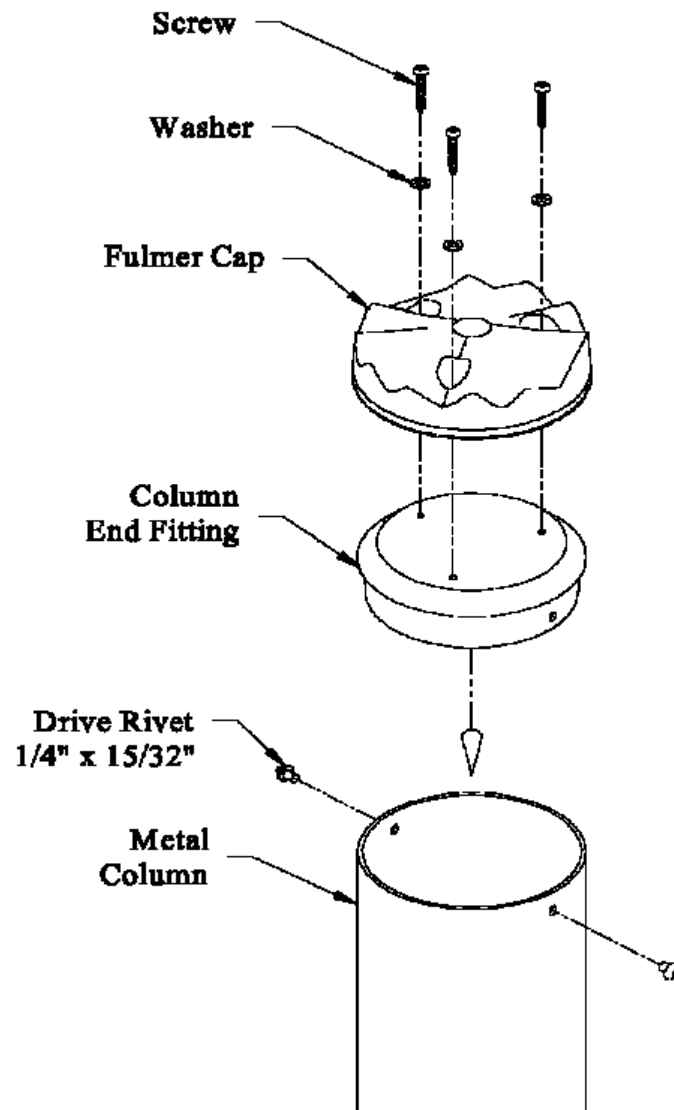
1. Insert Column End Fitting into the Metal Column and securely attach in place by using Drive Rivet  $\frac{1}{4}'' \times \frac{15}{32}''$  as shown.
2. Attach End Cap to the Column End Fitting using Sheet Metal Screw #10-16 x  $\frac{1}{2}''$  as shown.



## Typical Fulmer Cap Installation

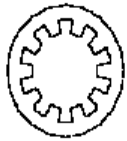
1. Insert Column End Fitting into the Metal Column and securely attach in place by using Drive Rivet  $\frac{1}{4}$ " x  $\frac{15}{32}$ " as shown.

2. Attach Fulmer Cap to the Column End Fitting using screws and washers as shown.



## Typical Do-Nut Installation

1. Align hardware and Do-Nut components as shown in the installation instruction.  
*Note: The hardware used on your structure may vary from hardware shown here.*

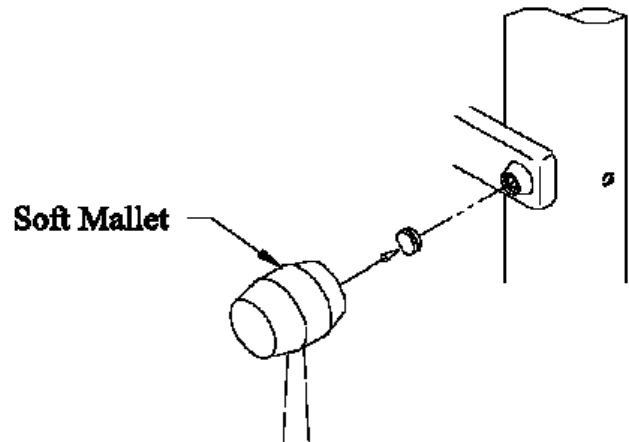
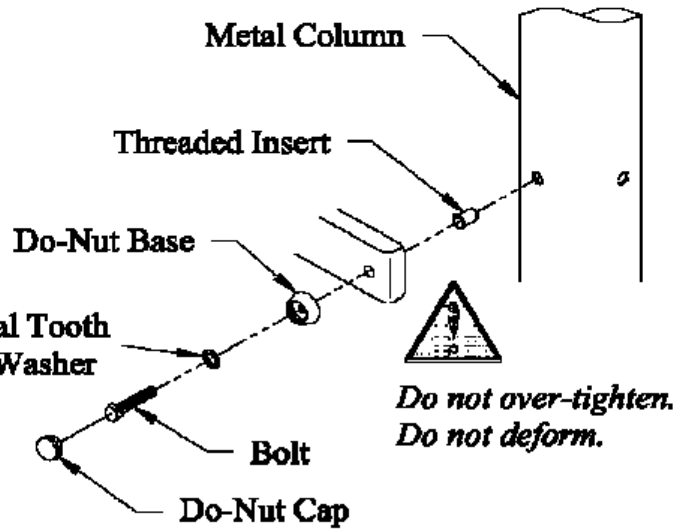


1/2" Internal Tooth Lock Washer typically should be used with a 1/2" Do-Nut base.



3/8" Internal Tooth Lock Washer typically should be used with a 3/8" Do-Nut base.

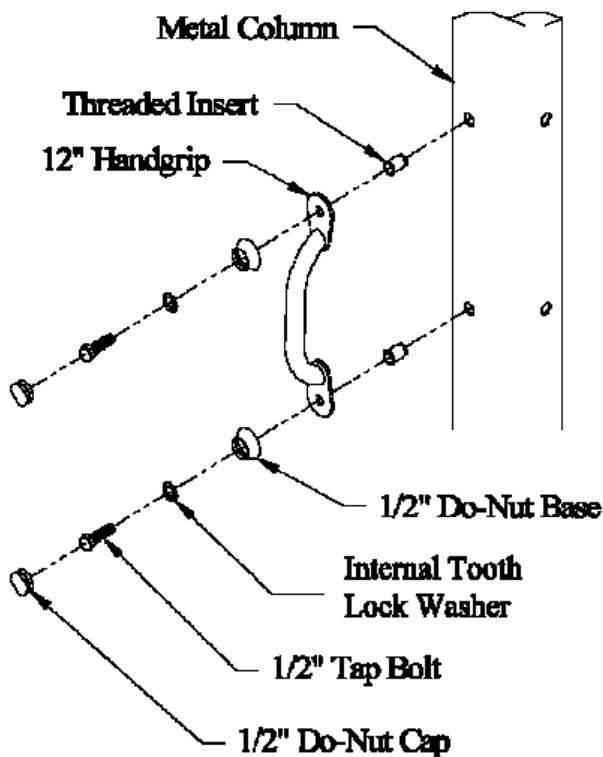
2. After final tightening of hardware, use a soft mallet to pound Do-Nut Caps into Do-Nut Bases until flush.



*Do not install Do-Nut Cap until all hardware are tightened.*

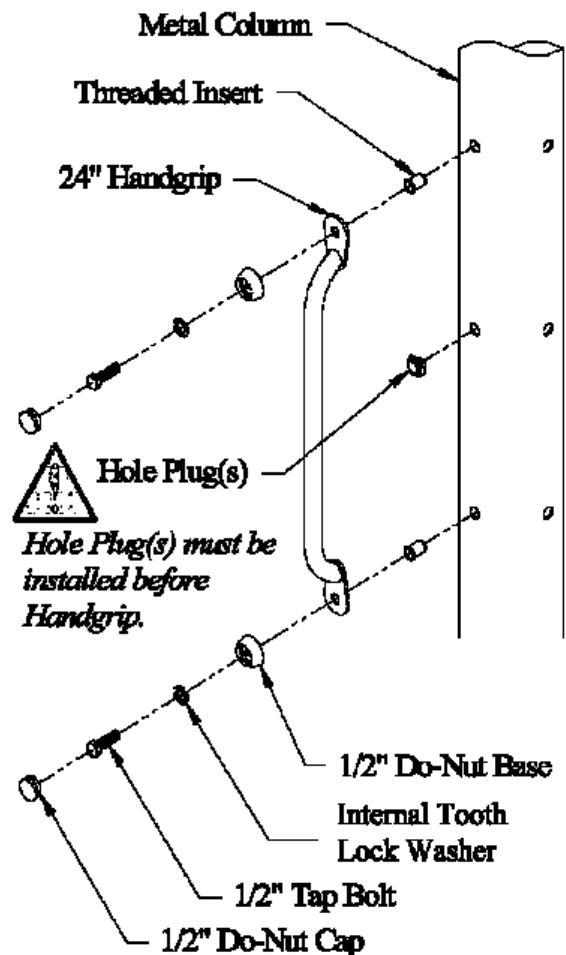
## Typical 12" Handgrip Installation

1. Install Threaded Insert into the holes specified in the installation instruction. (See "Typical Threaded Insert Installation.")
2. Attach the Handgrip to the column with the hardware provided.



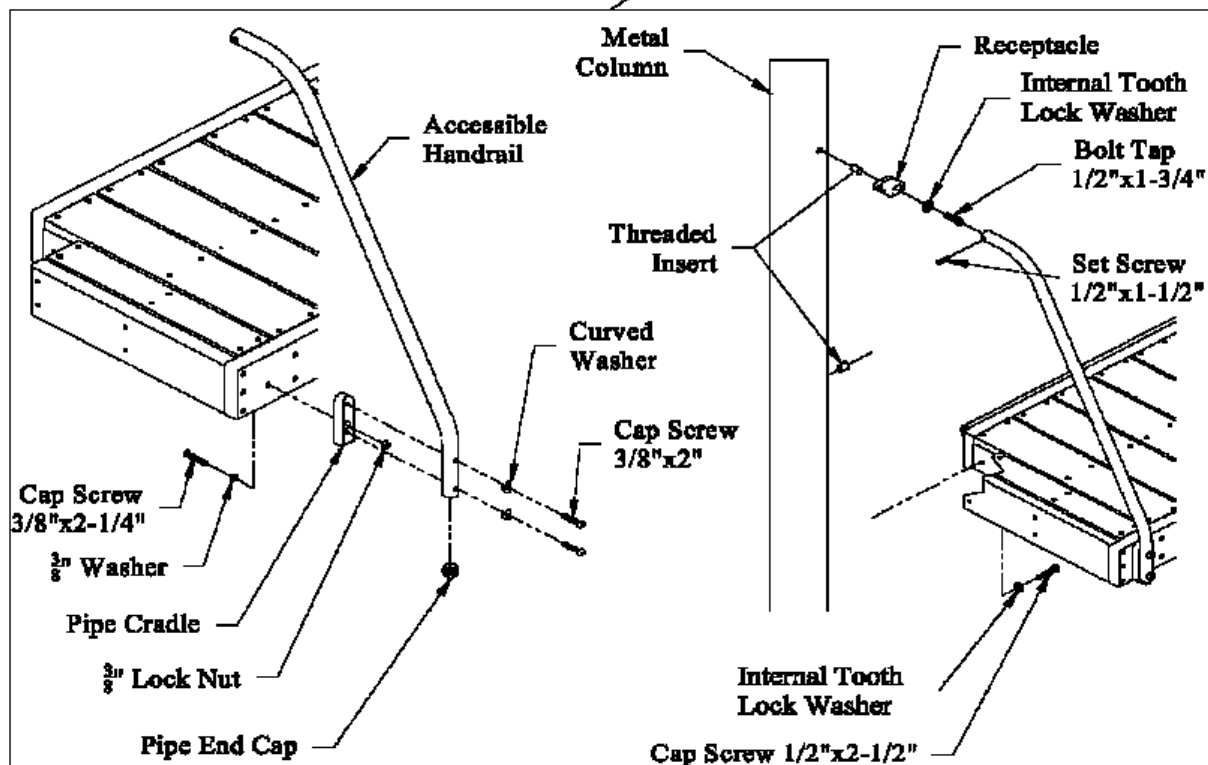
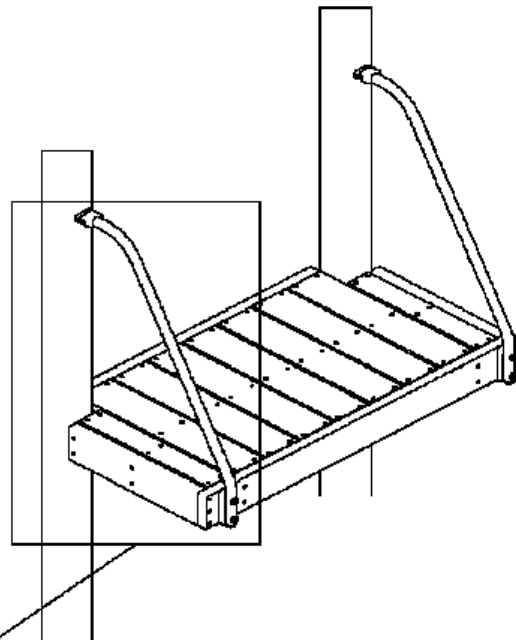
## Typical 24" & 36" Handgrip Installation

1. Install Threaded Insert into the holes specified in the installation instruction. (See "Typical Threaded Insert Installation.")
2. Install Hole Plug (Two Hole Plugs for 36" Handgrip) between the two Threaded Inserts as shown.
3. Attach the Handgrip to the column with the hardware provide.



## Typical Access Platform Installation

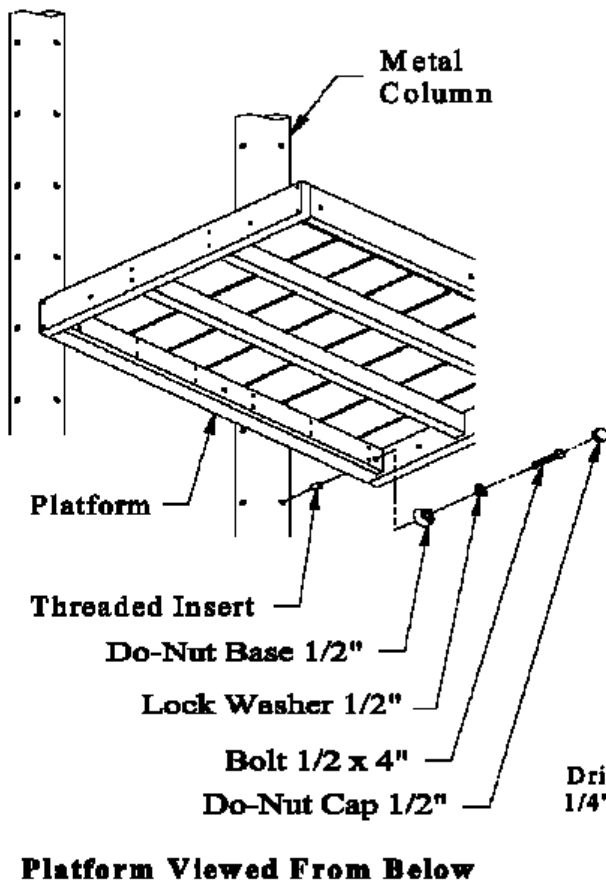
1. Attach Pipe Cradle to Balcony Platform using 3/8" x 2-1/4" Cap Screw, 3/8" Washer, and 3/8" Lock Nut.
2. Install Pipe End Cap to Accessible Handrail as shown.
3. Attach Accessible Handrail to Pipe Cradle using 3/8" x 2" Cap Screw and 3/8" Curved Washer.
4. Attach Balcony Platform and Accessible Handrail to Metal Column using Threaded Insert, 1/2" x 2-1/2" Cap Screw, 1/2" USS Washer, Receptacle, 1/2" SAE Washer, Bolt 1/2" x 1-3/4" Tap, and Set Screw 1/2" x 1-1/2" as shown.



## Typical Platform Installation

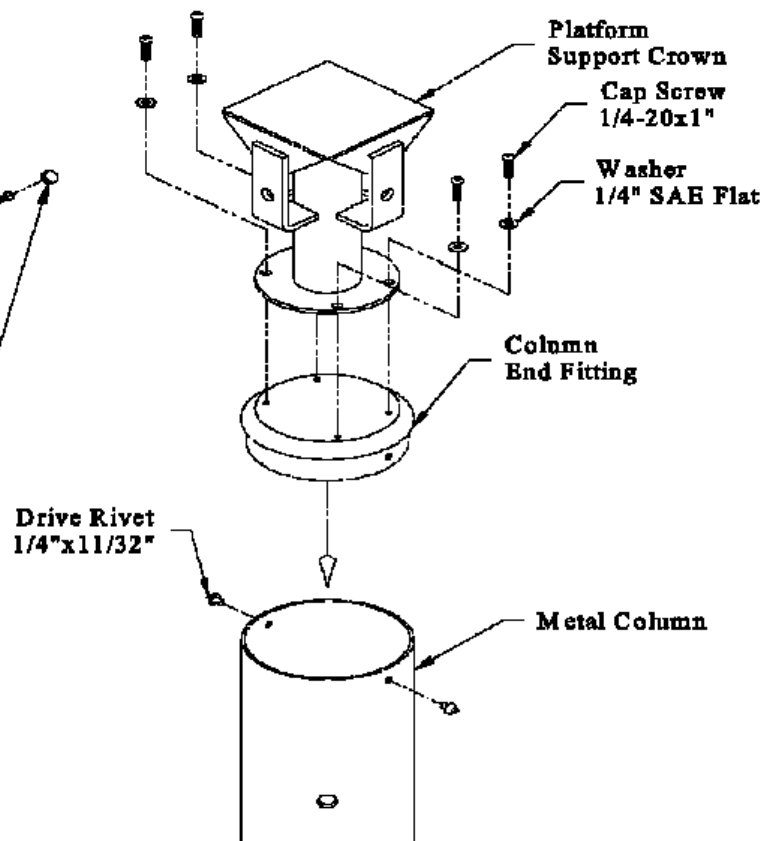
1. Install the Threaded Insert into the Metal Column as the location specified in the installation instructions.  
(See "Typical Threaded Insert Installation.")
2. Attach Platform to the column using hardware shown.

*Note: Some hardware maybe hidden for clarity.*



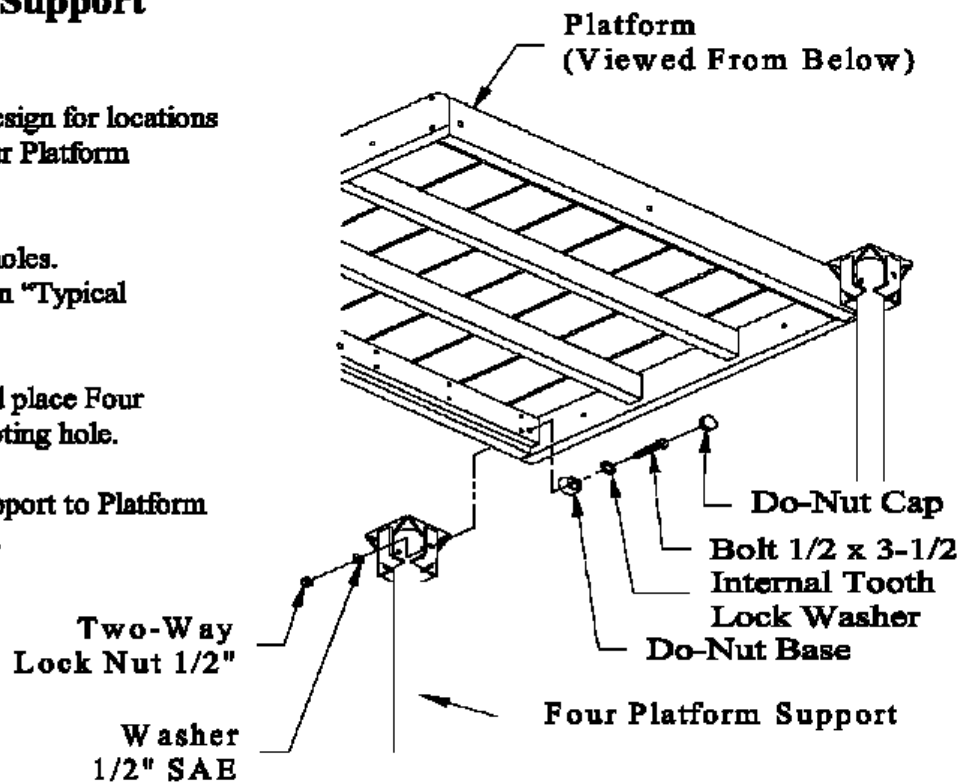
## Typical Platform Support Crown Installation

1. Refer to your structure design for location of the Platform Support Crown.
2. Install Threaded Insert into columns at locations specified in installation instructions.  
(See "Typical Threaded Insert Installation.")
3. Insert Column End Fitting into the Metal Column and securely attach in place by using Drive Rivet 1/4" x 11/32".
4. Attach Platform Support Crown to Column End Fitting using hardware shown.

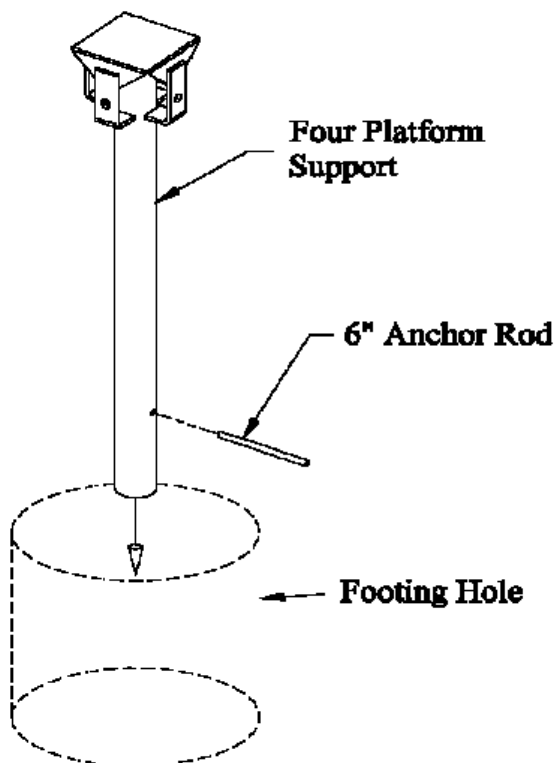


## Typical Four Platform Support Installation

1. Refer to your structure design for locations and configurations of Four Platform Support.
2. Layout footings and dig holes. (See "Standard Footing" in "Typical Concrete Footings.")
3. Insert 6" Anchor Rod and place Four Platform Support into footing hole.
4. Attach Four Platform Support to Platform using hardware as shown.



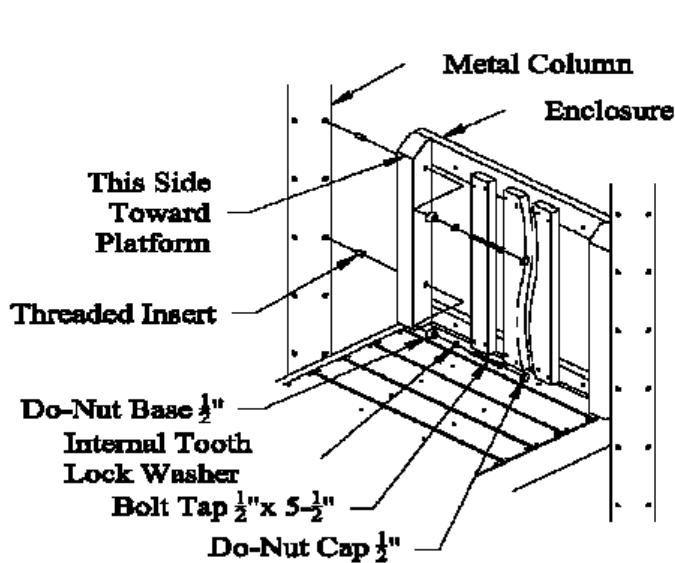
Platform Viewed From Below



## Typical Enclosure Installation

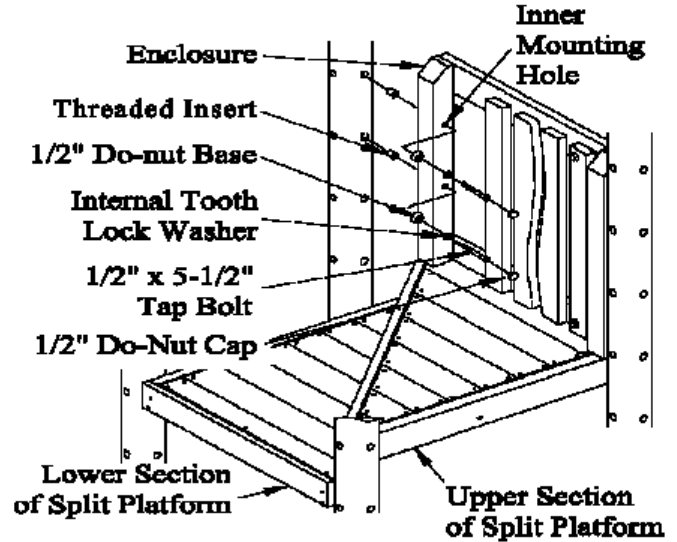
### Enclosure installed over Standard Platform

1. Refer to your structure design for location of the Enclosure.
2. Install Threaded Insert in columns and in-line with outer mounting holes on Enclosure.  
(See "Typical Threaded Insert Installation.")
3. Attach Enclosure to columns using hardware as shown. Be sure that there is a  $\frac{1}{4}$ " gap between Enclosure and Platform.



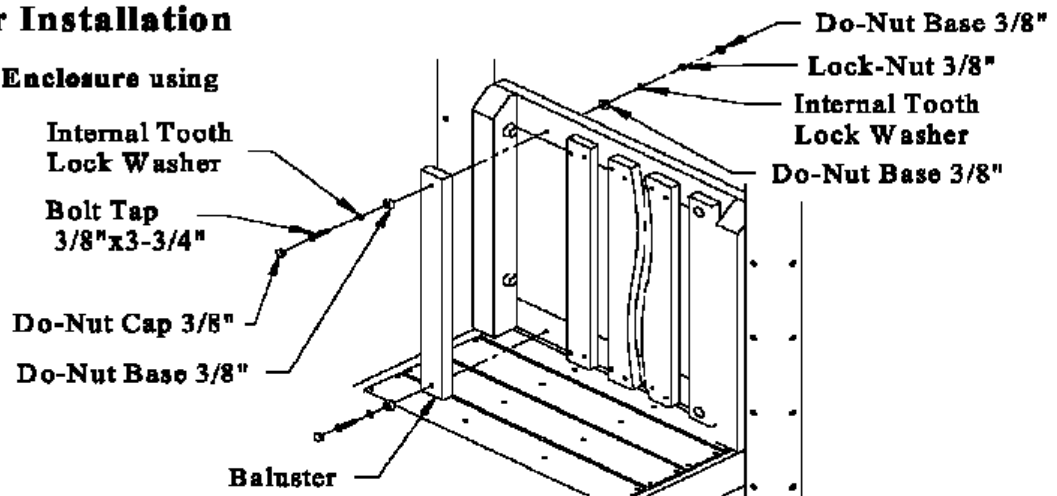
### Enclosure installed over upper section of Split Platform

1. Refer to your structure design for location of Enclosure.
2. Install Threaded Insert in columns and in-line with inner mounting holes on Enclosure.  
(See "Typical Threaded Insert Installation.")
3. Attach Enclosure to columns using hardware as shown. Be sure that there is a  $\frac{1}{4}$ " gap between Enclosure and Platform.



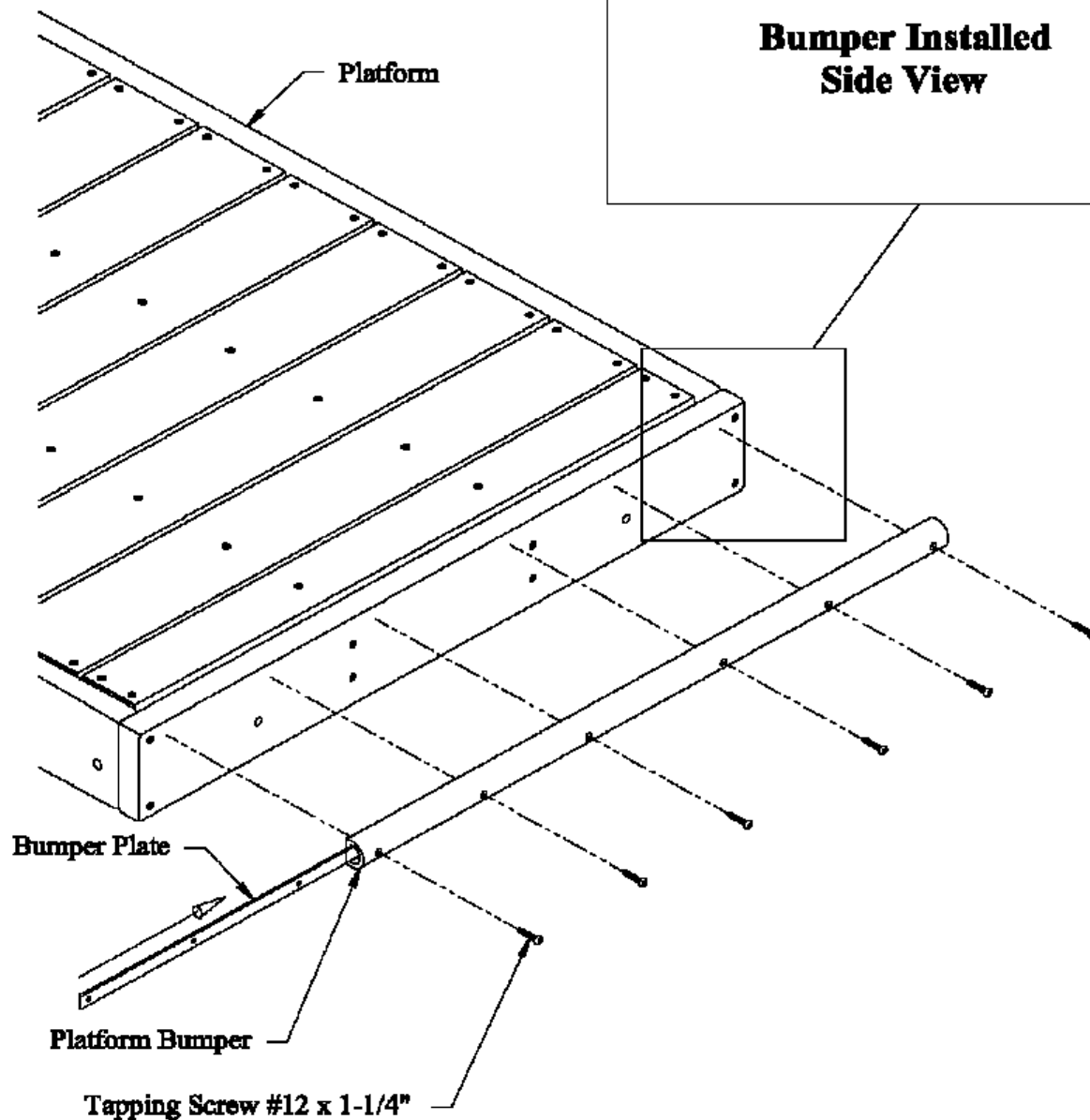
## Typical Baluster Installation

1. Attach Balusters to Enclosure using hardware as shown.



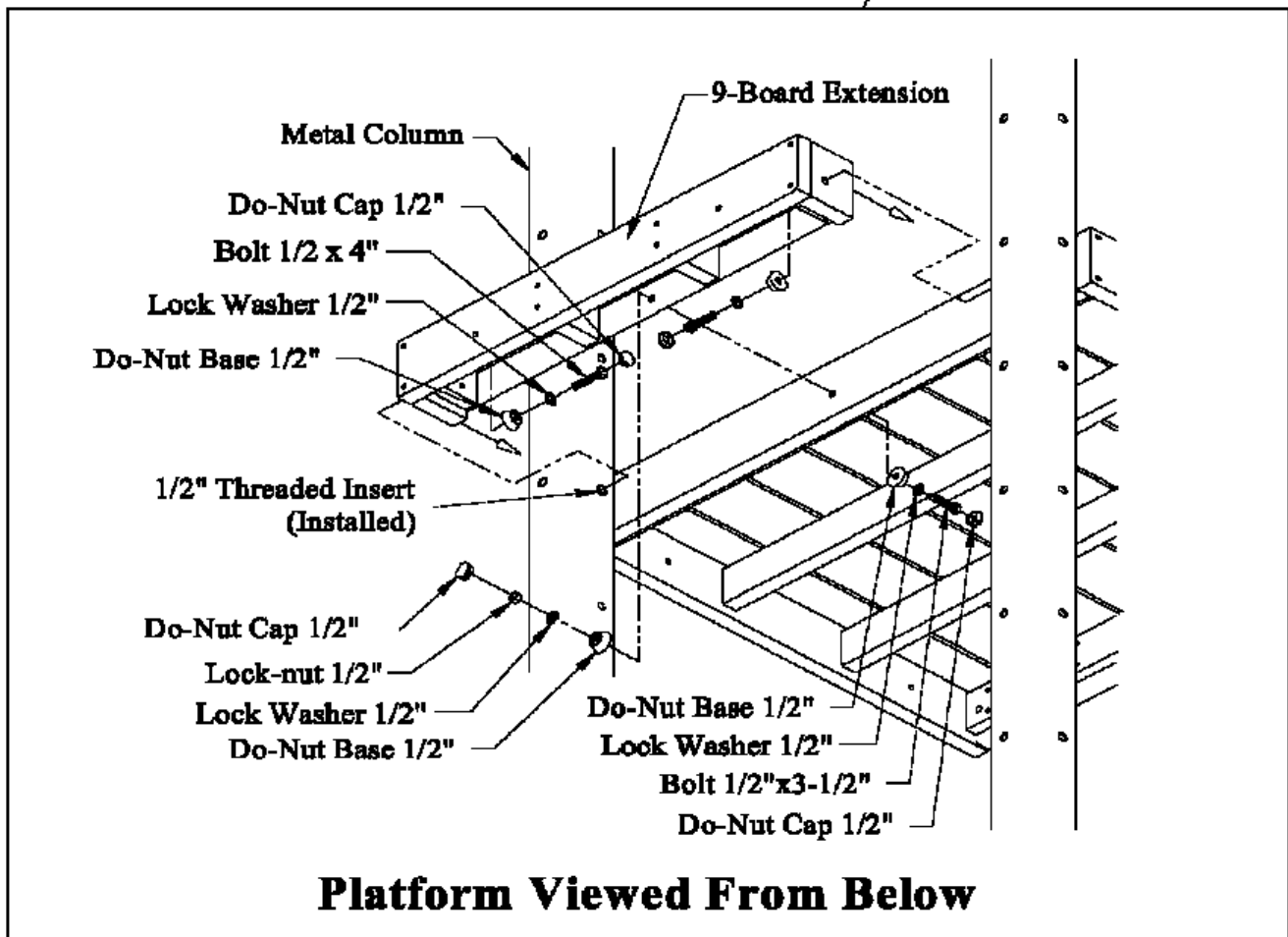
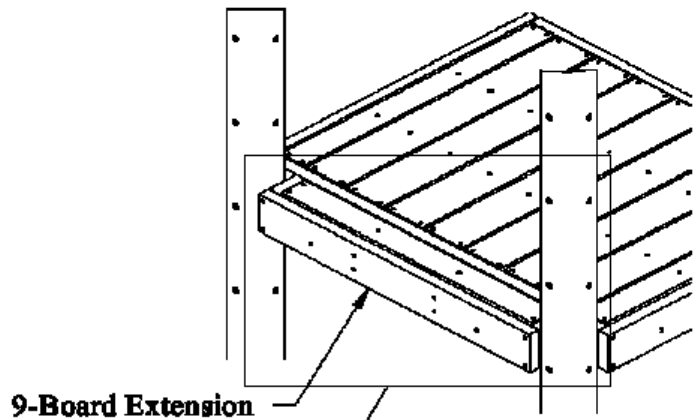
## Typical Soft Edge Installation

1. **Insert Bumper Plate into Platform Bumper.**
2. **Center and align top edge of Platform Bumper to top of platform.**
3. **Attach Soft Edge Assembly to platform by driving Wood Screws through holes in Platform Bumper and Bumper Plate and into Platform.**



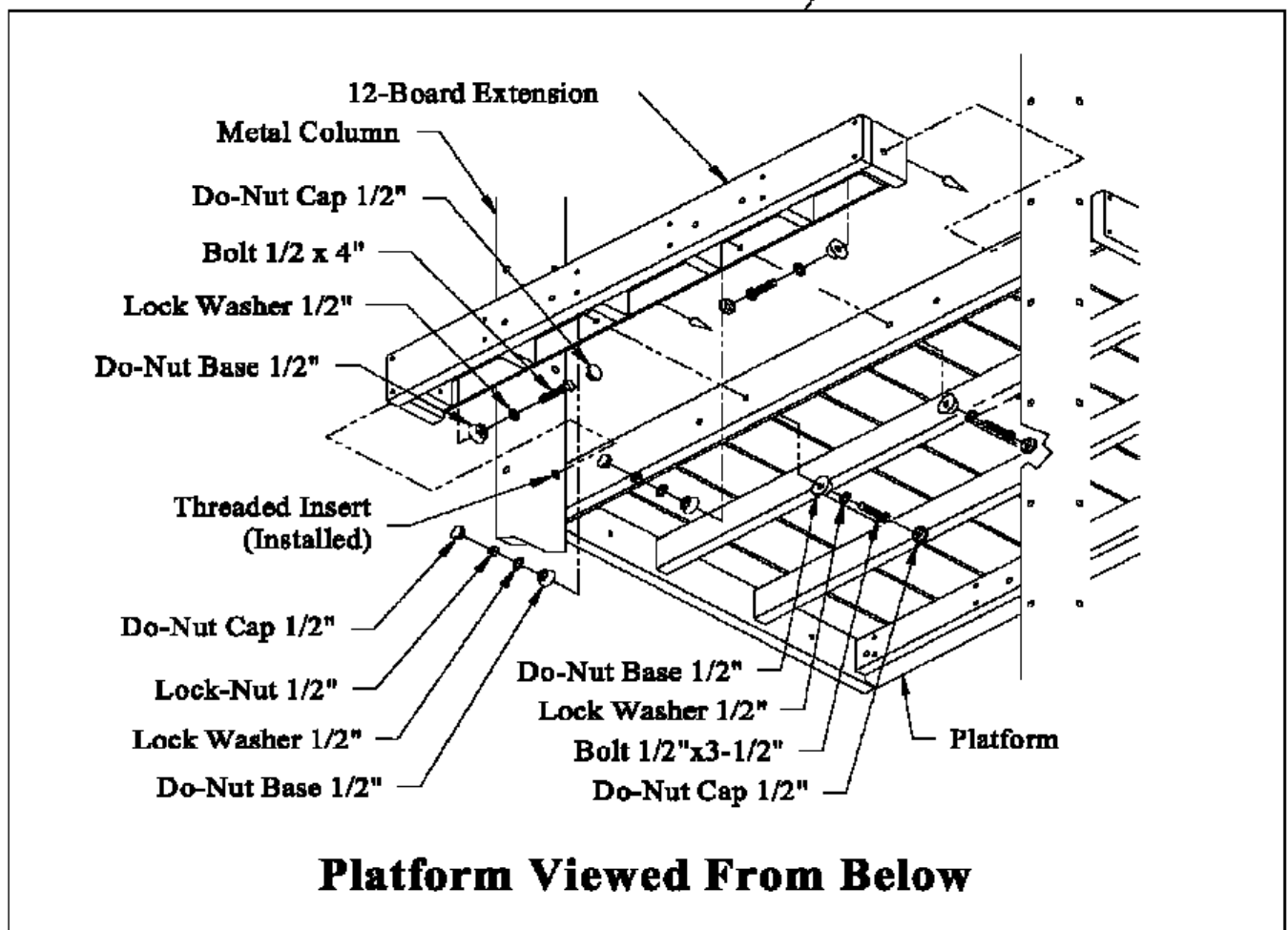
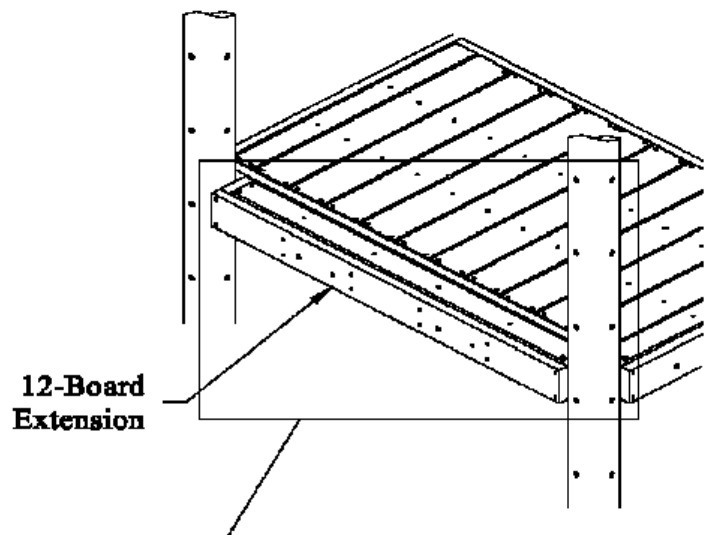
## Typical 9-Board Extension Installation

1. Install the Threaded Inserts at the locations specified in Installation Instruction. (See "Typical Threaded Insert Installation").
2. Orient and slide the extension toward the platform in between Metal Columns as shown.
3. Attach the extension to the columns and the the platform using hardware as shown.



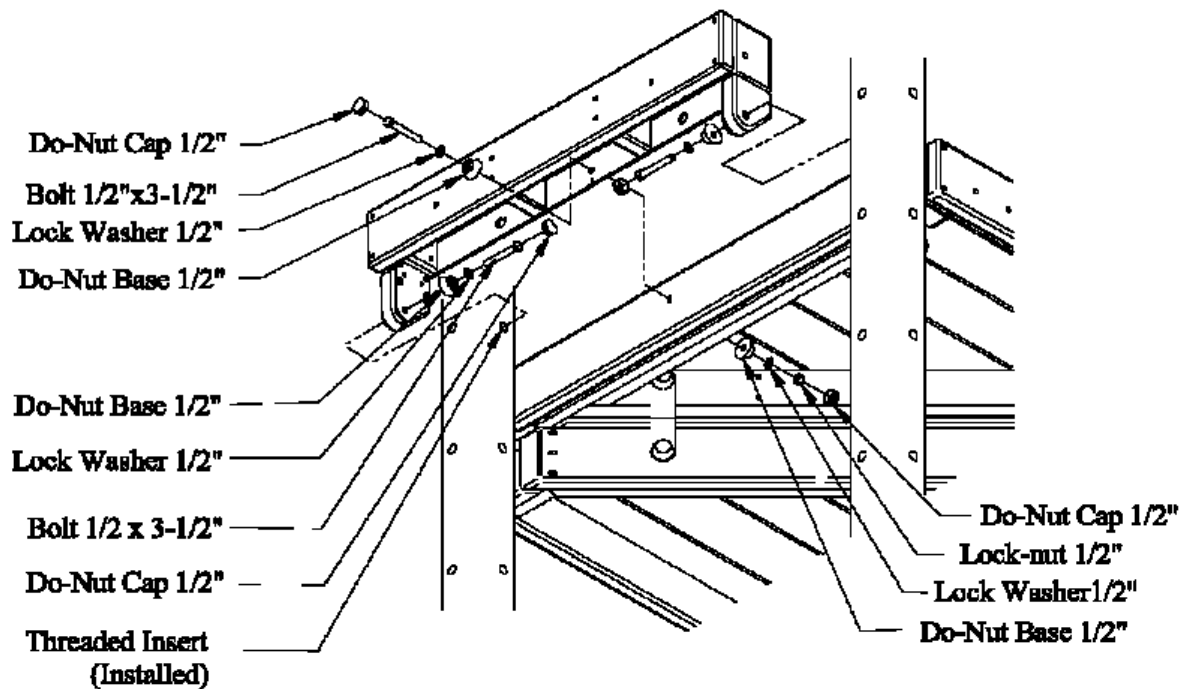
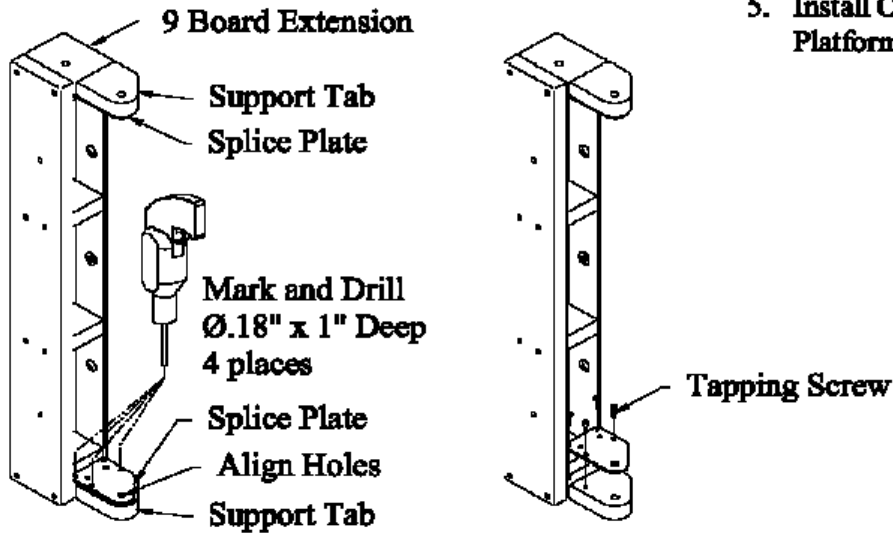
## Typical 12-Board Extension Installation

1. Install the Threaded Inserts at the locations specified in Installation Instruction. (See "Typical Threaded Insert Installation").
2. Orient and slide the extension toward the platform in between Metal Columns as shown.
3. Attach the extension to the columns and the the platform using hardware as shown.



## Typical 9-Board Offset Extension

1. Temporarily locate Splice Plates and Support Tabs on Extension.
2. Mark hole locations for outer holes (4 places).
3. Drill  $\varnothing.18''$  ( $3/16''$ ) x 1" deep pilot holes into Support Tab and Extension.
4. Attach Support Tabs and Splice Plates to Extension using #04 x 1" Tapping Screws.
5. Install Offset Extension onto Upper Split Platform as shown below.



## Glossary of Terms

<b>ACTIVITY</b>	Used to describe that part of a playground structure used to promote a particular type of play. For example, a slide or a climber.
<b>ASTM</b>	American Society for Testing and Materials.
<b>Attachable</b>	An item that can be attached to the basic structure.
<b>Basic Structure</b>	Columns or posts, platforms and enclosures.
<b>Clearance Zone</b>	A clear area, free of equipment, that surrounds the specific types of dynamic play events e.g.; swings, slides, etc.).
<b>CSA</b>	Canadian Standards Association
<b>End caps</b>	Plastic disks used to cover column ends.
<b>Footing</b>	Concrete base supporting vertical columns and pipes
<b>Hole Plug</b>	Plastic device used to plug unused holes in wood columns.
<b>IPEMA</b>	International Play Equipment Manufacturer's Association
<b>No-Encroachment Zone</b>	The additional area adjacent to the protective surfacing zone surfacing intended to allow pedestrian traffic near the play equipment in use while minimizing the risk of injury to pedestrians (CSA only).
<b>Platforms</b>	Horizontal decks forming part of the basic structure.
<b>Play Event</b>	See "Activity."
<b>Structure</b>	A single activity or group of activities joined to form one unit.
<b>Threaded Insert</b>	An expanding anchor that allows for mechanical attachment to the metal column.
<b>USCPSC</b>	United States Consumer Product Safety Commission.

## Contact Information for Safety Standards

► **US Consumer Product Safety Commission, Washington DC 20207**

Phone: (800) 838-2772

Fax: (301) 504-0124

Web address: [US Consumer Product Safety Commission](#)

- Handbook for Public Playground Safety

► **American Standards for Testing and Materials: 100 Barr Harbor Dr., West Conshocken, PA 19428**

Phone: (610) 832-9585

Fax: (610) 832-9555

Web address: [American Standards for Testing and Materials](#)

- F1487-01: Standard Safety Performance Specification for Playground Equipment for Public Use
- F1292-95: Standard Specification for Impact Attenuation of Surface Systems Under and Around Playground Equipment

► **Canadian Standards Association, Consolidated Mailing List, 178 Rexdale Blvd., Etobicoke, Ontario, Canada M9W1R3**

Phone: (416) 747-4000 or (866)797-4272 Toll Free 8-5, EST

Fax: (416) 747-4149

Web address: [Canadian Standards Association](#)

- CAN/CSA-Z614-03: Children's Playspaces and Equipment
-





A PLAYCORE Company

## G406 SINGLE PLAYSHELL CLIMBER

Parts List		
DESCRIPTION	QTY	PART NUMBER
PLAYSHELL	1	401549

*Unless Otherwise Specified, All Units of Measure are Each*

*Items listed below Hardware Complete line are included with Hardware Complete Number*

**Warning: During Installation, Hardware And Small Parts Are Choking Hazards For Young Children. Store Unused Parts Appropriately Until Assembly Is Completed. Once Assembly Is Completed, Remove Any Unused Parts From The Play Environment And Dispose/Save Them In A Secure Location. Any bolt end protruding more than two full threads beyond the face of the nut causes risk of clothing entanglement.**

**Promptly cut-off flush, file smooth, and treat to prevent corrosion.**

**Note: Peen Tee-Nuts and Flatwashers to match radius of pipe after assembly is complete.**

**Note: Loctite (supplied by others) should be used on any non-patch hardware.**

### **INSTALLATION INSTRUCTIONS:**

1. Refer to top view for locations and playshell orientation.

### **MAINTENANCE PROCEDURE:**

Periodically check hardware for tightness, and tighten as necessary. Always check all parts for breakage or wear, and immediately put equipment out of service until any faulty parts found are repaired or replaced. Also Check all metal parts for rust, paint loss and touch-up if necessary with paint. Check for welded areas and verify integrity. Check periodically resilient surfacing for appropriate depth and remove extraneous materials that could cause injury, infection, or disease. Maintain detailed installation, inspection, maintenance, and repair records for each public-use playground equipment.



A PLAYCORE Company

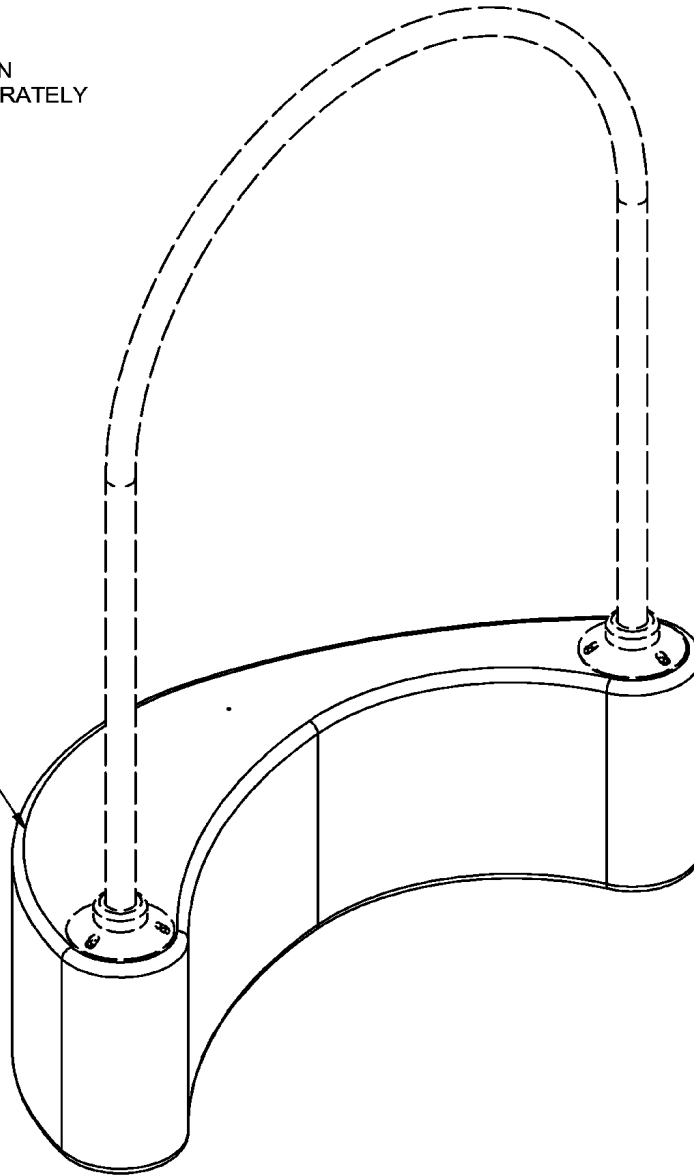
# BigToys<sup>®</sup>

A PLAYCORE Company

## G406 SINGLE PLAYSHELL CLIMBER

COMPONENTS SHOWN IN  
HIDDEN LINES ARE SOLD SEPARATELY

PLAYSHELL (401549)



**FINISHED ASSEMBLY**

Issued/Revised: 3/31/2014

# BigToys<sup>®</sup>

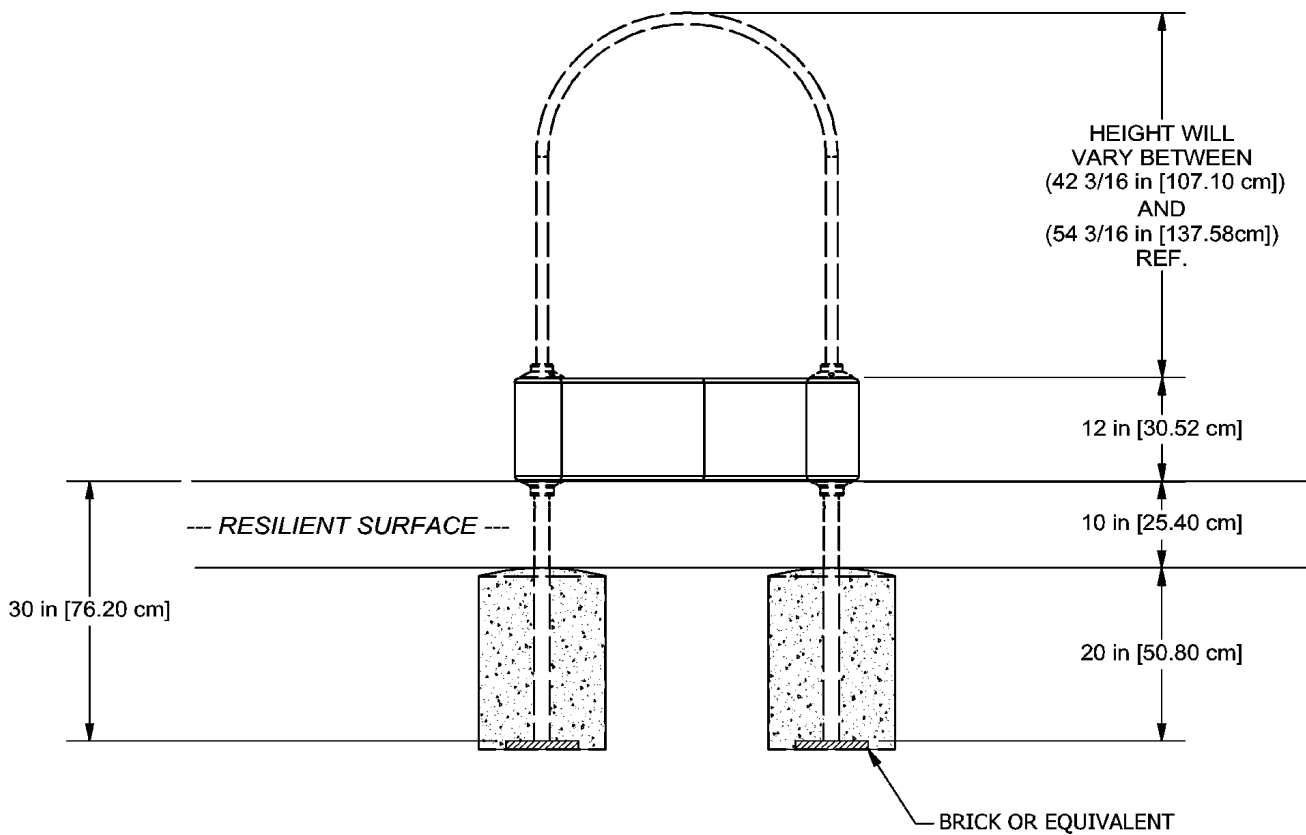
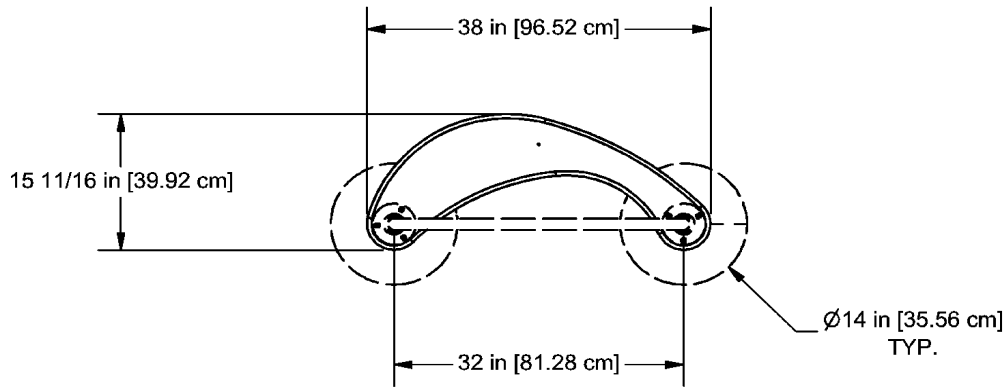
A PLAYCORE Company

SHEET 2 OF 3

1-866-814-8697

[bigtoys.com](http://bigtoys.com)

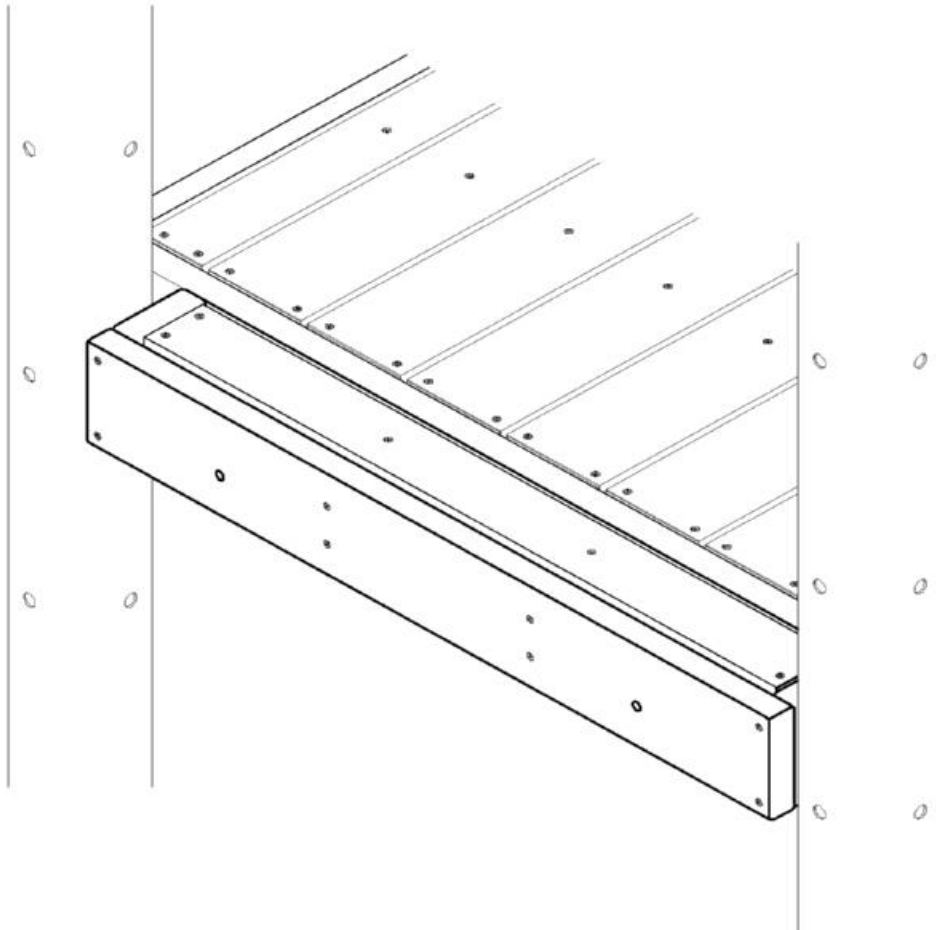
## G406 SINGLE PLAYSHELL CLIMBER


















# Platform Extension, 9-Board - Metal

M03-001  
Installation Instructions

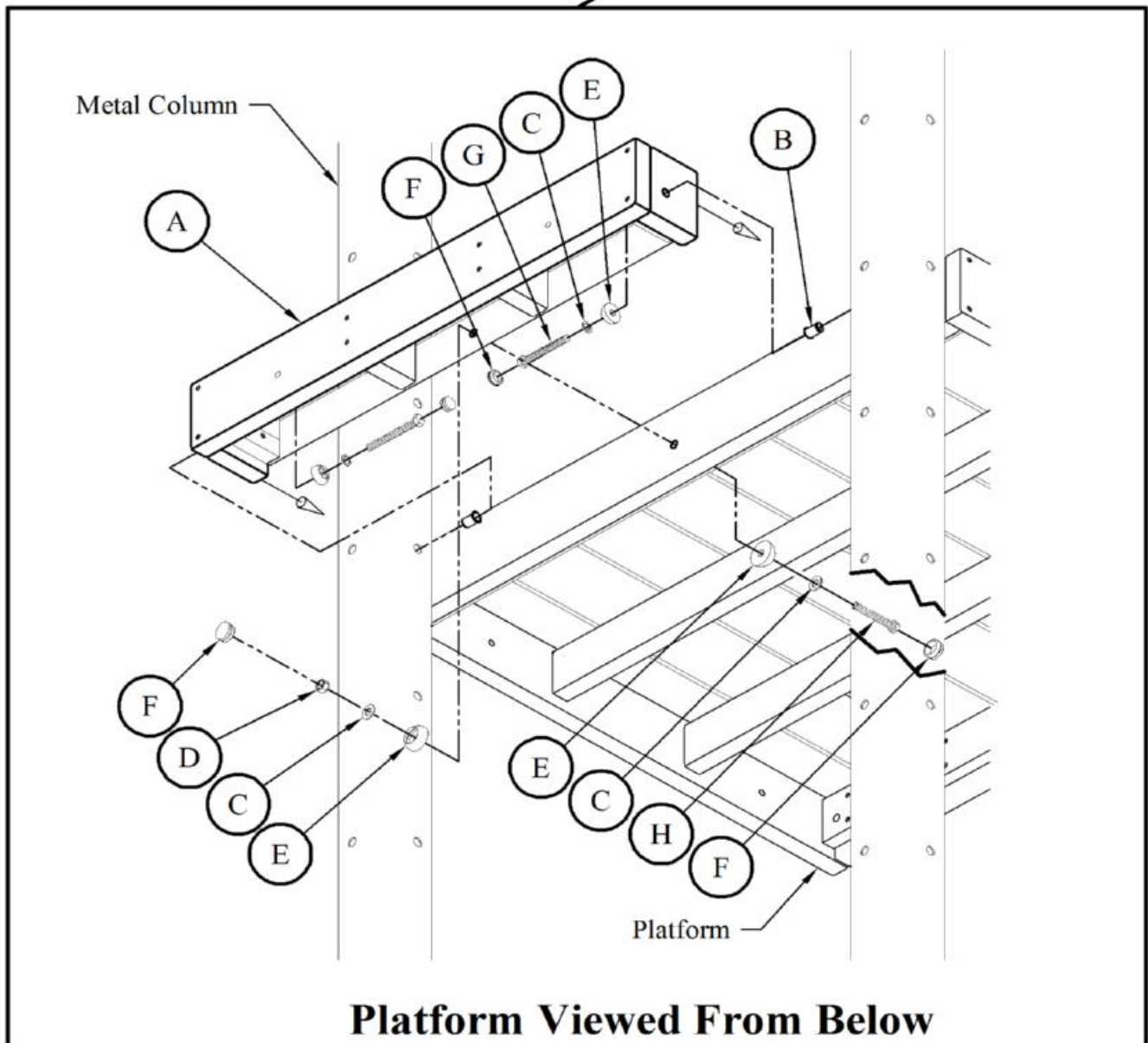
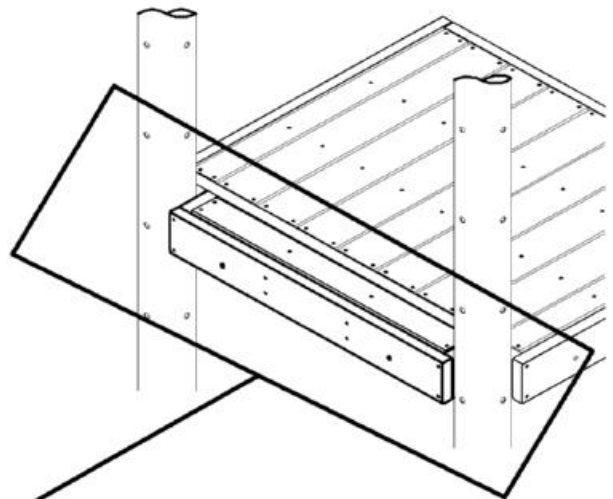


DET.	QTY.	PART#	DESCRIPTION	ICON (NOT TO SCALE)
A	1	M403	Platform Extension, 9-Board	
B	2	M000	Threaded Insert 1/2"	
	1	E495_	Connector, Platform Ext 9BD	
C	4	817201	Lock Washer, 1/2" Int Tooth Type A PLTD	 
D	1	804055	Nut, Hex 1/2-13 NC Pltd	 
E	4	G034GY	Do-Nut Base (No Boss) 12mm - Putty	 
F	4	G036GY	Do-Nut Cap 12mm - Putty	 
G	2	801256	Bolt Tap 1/2-13 x 3-1/2" NC Pltd	 
H	1	800809	Bolt, 1/2 x 4" NC Pltd - Full Thread	 

1. Refer to your structure design for the location of the 9-Board Platform Extension.
2. **Install the Threaded Inserts (B)** to the metal columns as shown.  
(See "Typical Threaded Insert Installation").
3. **Orient and attach the Platform Extension (A)** to the platform and metal columns using hardware (C)(D)(F)(E)(G) as shown.



Refer to "Typical Threaded Insert Installation" in the supplemental prolog (iM1000) for installation procedures.



## M03009 PLATFORM 9 BOARD - METAL Z03009 PLATFORM 9 BOARD - WOOD

Parts List			
DESCRIPTION	M03-009	Z03-009	PART NUMBER
PLATFORM 9 BOARD - M	1	0	M415
PLATFORM 9 BOARD - W	0	1	Z415
---HARDWARE COMPLETE---	4	0	E490
---HARDWARE COMPLETE---	0	4	D490
EAGLE FASTENER	0	1	G000
12MM DO-NUT BASE	1	1	G034
12MM DO-NUT CAP	1	1	G036
1/2" THREADED INSERT	1	0	M000
1/2" x 4" HEX HEAD BOLT	1	0	800809
1/2" x 5" HEX HEAD BOLT	0	1	800807
1/2" INTERNAL TOOTH LOCK WASHER	1	1	817201

*Unless Otherwise Specified, All Units of Measure are Each*

*Items listed below Hardware Complete line are included with Hardware Complete Number*

**Warning: During Installation, Hardware And Small Parts Are Choking Hazards For Young Children. Store Unused Parts Appropriately Until Assembly Is Completed. Once Assembly Is Completed, Remove Any Unused Parts From The Play Environment And Dispose/Save Them In A Secure Location. Any bolt end protruding more than two full threads beyond the face of the nut causes risk of clothing entanglement.**

**Promptly cut-off flush, file smooth, and treat to prevent corrosion.**

**Note: Peen Tee-Nuts and Flatwashers to match radius of pipe after assembly is complete.**

**Note: Loctite (supplied by others) should be used on any non-patch hardware.**

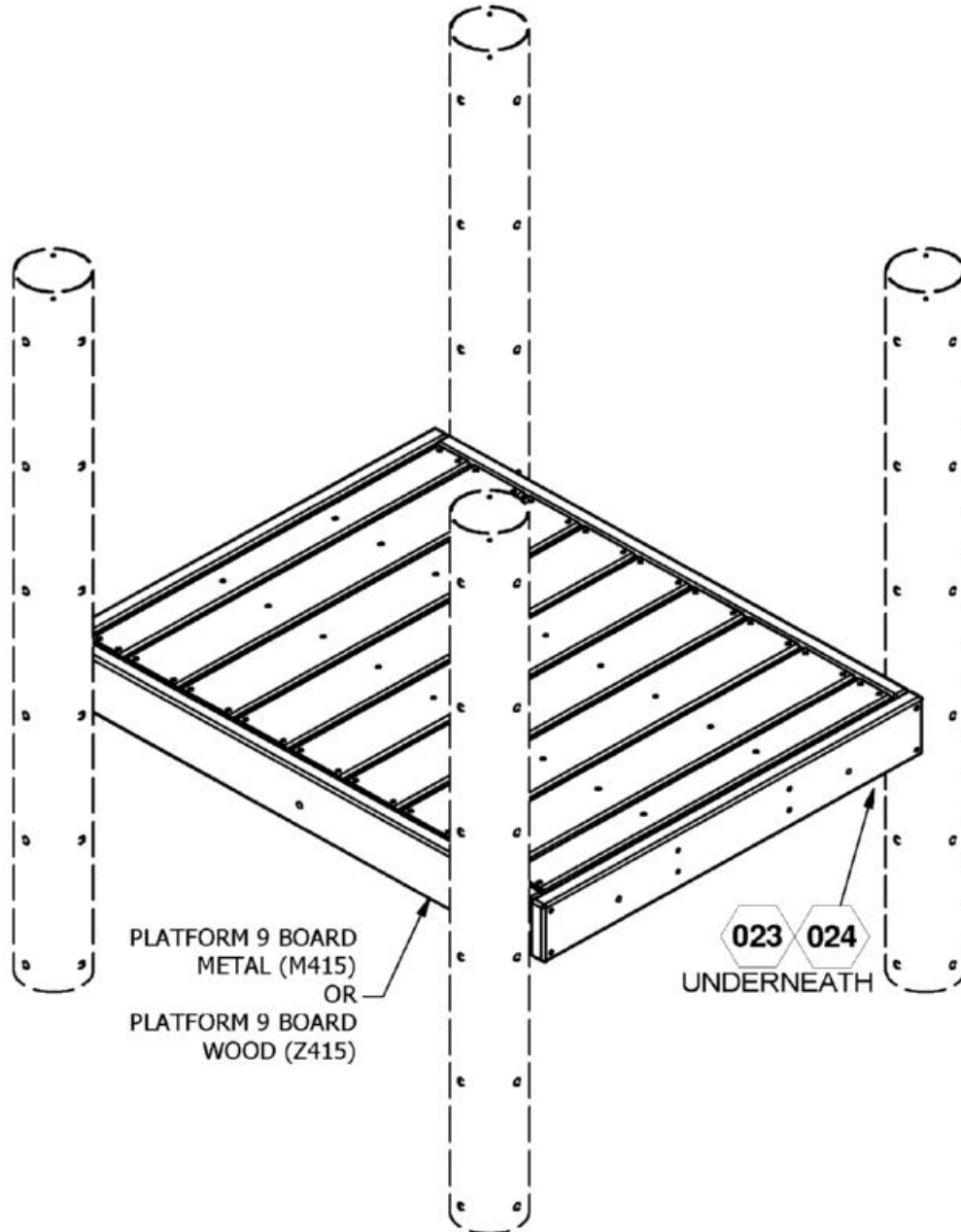
### **INSTALLATION INSTRUCTIONS:**

- Determine the location, height and orientation of the Platform 9 Board shown in the structure design layout plans.
- Install 1/2" Threaded Inserts or Eagle Fasteners in columns at proper locations.  
(Refer to Installation Prolog for typical Threaded Insert and Eagle Fastener Installation.)
- Attach Platform 9 Board to Upright using a 1/2" Threaded Insert, 12mm Do-Nut Base, 1/2" Internal Tooth Lock Washer, 1/2" x 4" Hex Head Bolt, and 12mm Do-Nut Cap. See Detail 023.
- IMPORTANT:** If installing the wood version attach Platform 9 Board to Upright using a Eagle Fastener, 12mm Do-Nut Base, 1/2" Internal Tooth Lock Washer, 1/2" x 5" Hex Head Bolt, and 12mm Do-Nut Cap. See Detail 024.
- When all decks are completed and correct, pour concrete footings within 4" to the top and taper away from support posts to allow water drainage. Allow curing at least 48 hours before use.
- Plumb and level the entire assembly and tighten all fasteners.
- When the structure is finished and satisfactory, eliminate sharp points and sharp edges (burring) on installed hardware like bolts, nuts, etc. Install resilient surfacing material within the use zone of play structure in accordance with ASTM specifications F 1292 appropriate for the fall height of each structure. Refer to the safety guidelines.

## M03009 PLATFORM 9 BOARD - METAL Z03009 PLATFORM 9 BOARD - WOOD

### MAINTENANCE PROCEDURE:

Periodically check hardware for tightness, and tighten as necessary. Always check all parts for breakage or wear, and immediately put equipment out of service until any faulty parts found are repaired or replaced. Also Check all metal parts for rust, paint loss and touch-up if necessary with paint. Check for welded areas and verify integrity. Check periodically resilient surfacing for appropriate depth and remove extraneous materials that could cause injury, infection, or disease. Maintain detailed installation, inspection, maintenance, and repair records for each public-use playground equipment.



 = INSTALLATION DETAIL

Issued/Revised: 7/8/2021

**FINISHED ASSEMBLY**  
M03009 SHOWN

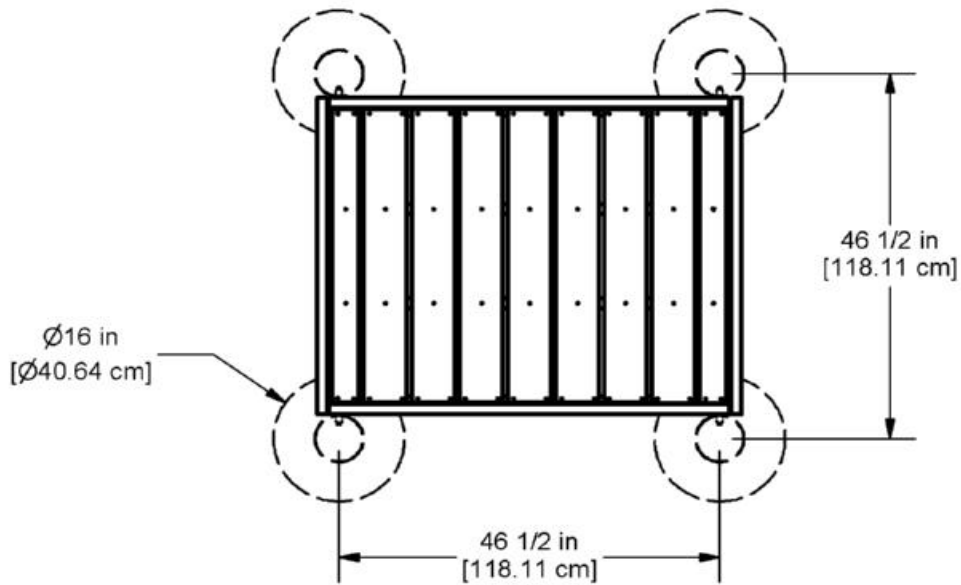
# BigToys

A PLAYCORE Company

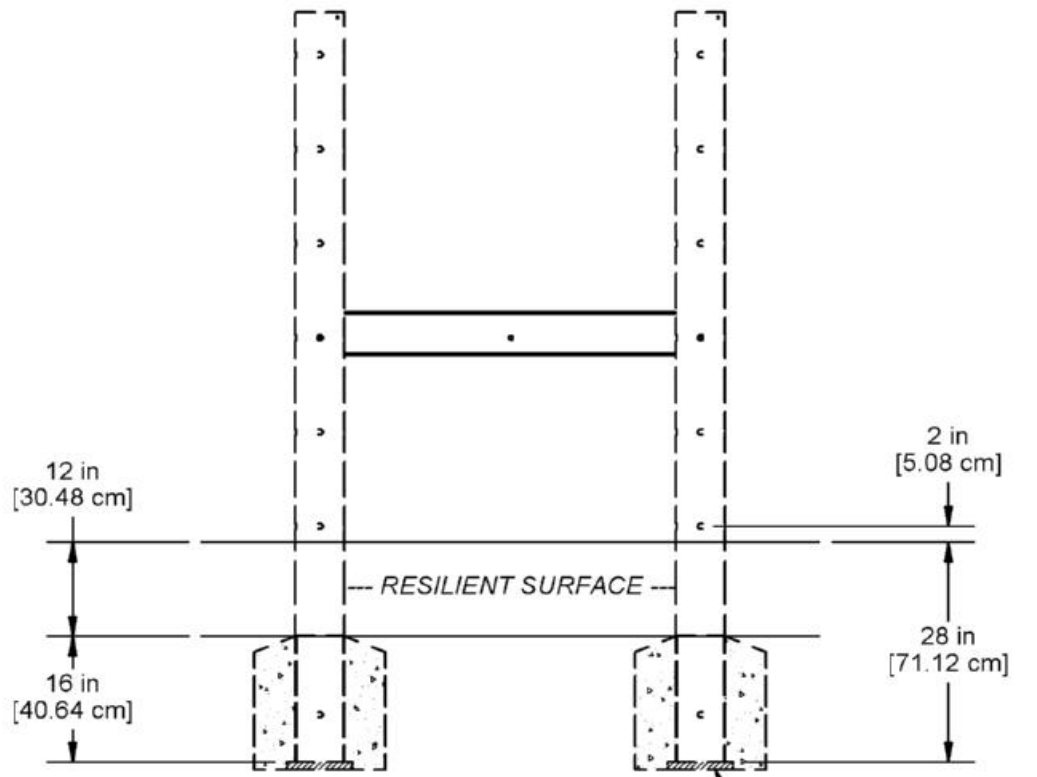
COMPONENTS SHOWN IN  
HIDDEN LINES ARE SOLD SEPARATELY

SHEET 2 OF 4

## M03009 PLATFORM 9 BOARD - METAL Z03009 PLATFORM 9 BOARD - WOOD



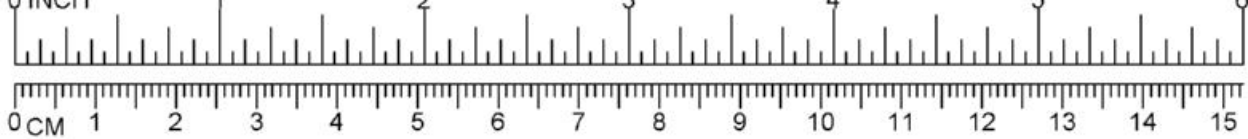
**PLAN VIEW**



**ELEVATION VIEW**

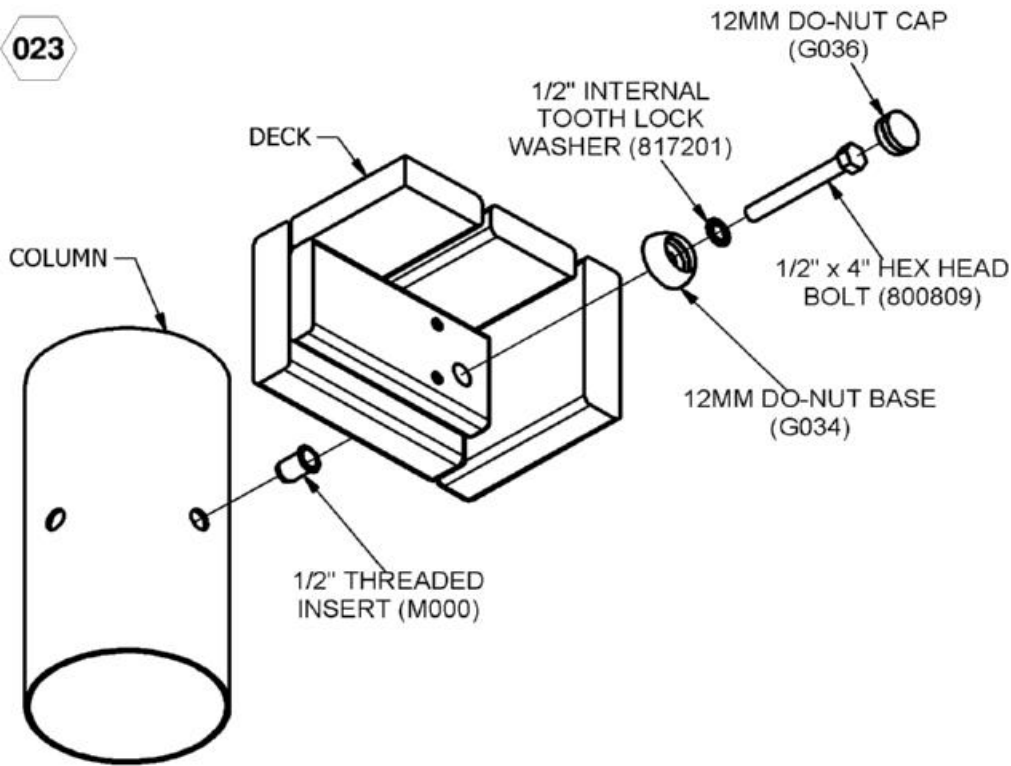
M03009 SHOWN

BRICK OR EQUIVALENT

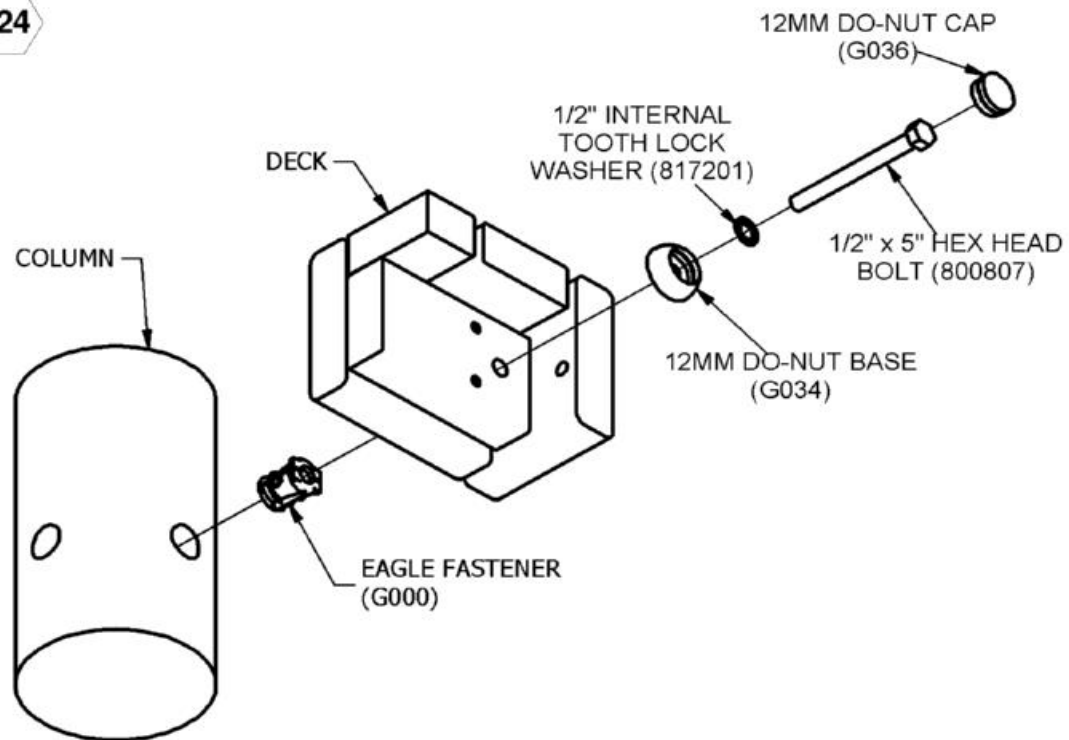


# M03009 PLATFORM 9 BOARD - METAL Z03009 PLATFORM 9 BOARD - WOOD

023



024



## M03012 PLATFORM 12 BOARD - METAL Z03012 PLATFORM 12 BOARD - WOOD

Parts List			
DESCRIPTION	M03012	Z03012	PART NUMBER
PLATFORM 12 BOARD - M	1	0	M430
PLATFORM 12 BOARD - W	0	1	Z430
---HARDWARE COMPLETE---	1	0	E490
---HARDWARE COMPLETE---	0	1	D490
EAGLE FASTENER	0	1	G000
12MM DO-NUT BASE	1	1	G034
12MM DO-NUT CAP	1	1	G036
1/2" THREADED INSERT	1	0	M000
1/2" x 4" HEX HEAD BOLT	1	0	800809
1/2" x 5" HEX HEAD BOLT	0	1	80807
1/2" INTERNAL TOOTH LOCK WASHER	1	1	817201

*Unless Otherwise Specified, All Units of Measure are Each*

*Items listed below Hardware Complete line are included with Hardware Complete Number*

**Warning: During Installation, Hardware And Small Parts Are Choking Hazards For Young Children. Store Unused Parts Appropriately Until Assembly Is Completed. Once Assembly Is Completed, Remove Any Unused Parts From The Play Environment And Dispose/Save Them In A Secure Location. Any bolt end protruding more than two full threads beyond the face of the nut causes risk of clothing entanglement. Promptly cut-off flush, file smooth, and treat to prevent corrosion.**

**Note: Peen Tee-Nuts and Flatwashers to match radius of pipe after assembly is complete.**

**Note: Loctite (supplied by others) should be used on any non-patch hardware.**

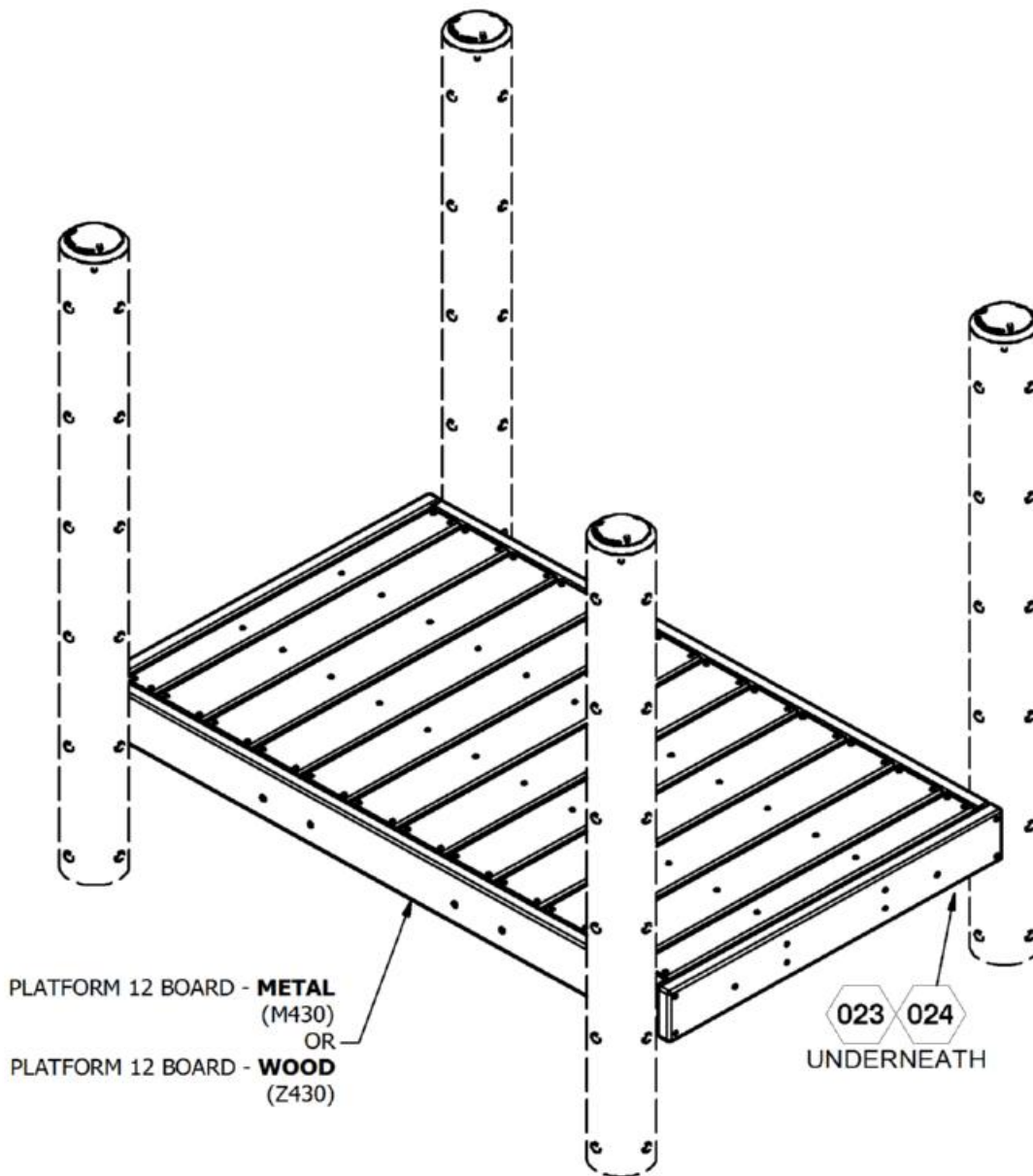
### **INSTALLATION INSTRUCTIONS:**

- Determine the location, height and orientation of the Platform 9 Board shown in the structure design layout plans.
- Install 1/2" Threaded Inserts or Eagle Fasteners in columns at proper locations.  
(Refer to Installation Prolog for typical Threaded Insert and Eagle Fastener Installation.)
- Attach Platform12 Board to Upright using a 1/2" Threaded Insert, 12mmDo-Nut Base, 1/2" Internal Tooth Lock Washer, 1/2" x 4" Hex Head Bolt, and 12mm Do-Nut Cap. See Detail 023.
- IMPORTANT:** If installing the wood version, attach Platform 12 Board to Upright using a Eagle Fastener, 12mm Do-Nut Base, 1/2" Internal Tooth Lock Washer, 1/2" x 5" Hex Head Bolt, and 12mm Do-Nut Cap. See Detail 024.
- When all decks are completeed and correct, pour concrete footings within 4" to the top and taper away from support posts to allow water drainage. Allow curing at least 48 hours before use.
- Plumb and level the entire assembly and tighten all fasteners.
- When the structure is finished and satisfactory, eliminate sharp points and sharp edges (burring) on installed hardware like bolts, nuts, etc. Install resilient surfacing material within the use zone of play structure in accordance with ASTM specifications F1292 appropriate for the fall height of each structure. Refer to the safety guidelines.

## M03012 PLATFORM 12 BOARD - METAL Z03012 PLATFORM 12 BOARD - WOOD

### MAINTENANCE PROCEDURE:

Periodically check hardware for tightness, and tighten as necessary. Always check all parts for breakage or wear, and immediately put equipment out of service until any faulty parts found are repaired or replaced. Also Check all metal parts for rust, paint loss and touch-up if necessary with paint. Check for welded areas and verify integrity. Check periodically resilient surfacing for appropriate depth and remove extraneous materials that could cause injury, infection, or disease. Maintain detailed installation, inspection, maintenance, and repair records for each public-use playground equipment.



 = INSTALLATION DETAIL

Issued/Revised: 03/31/15

**FINISHED ASSEMBLY**

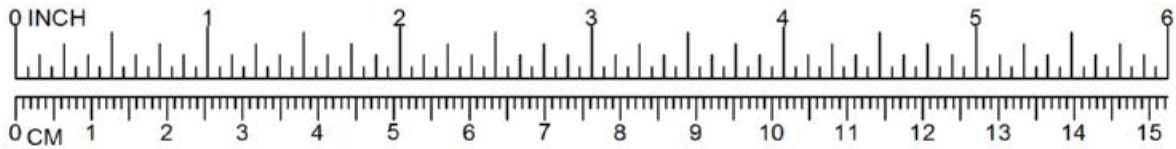
# BigToys®

A PLAYCORE Company

COMPONENTS SHOWN IN  
HIDDEN LINES ARE SOLD SEPARATELY

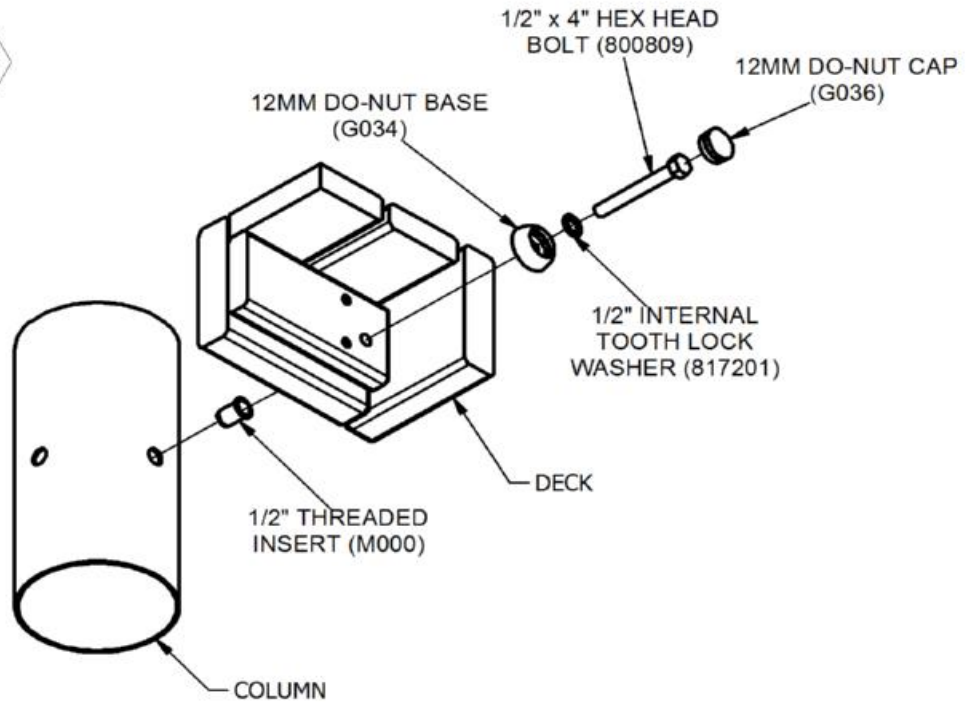
SHEET 2 OF 4



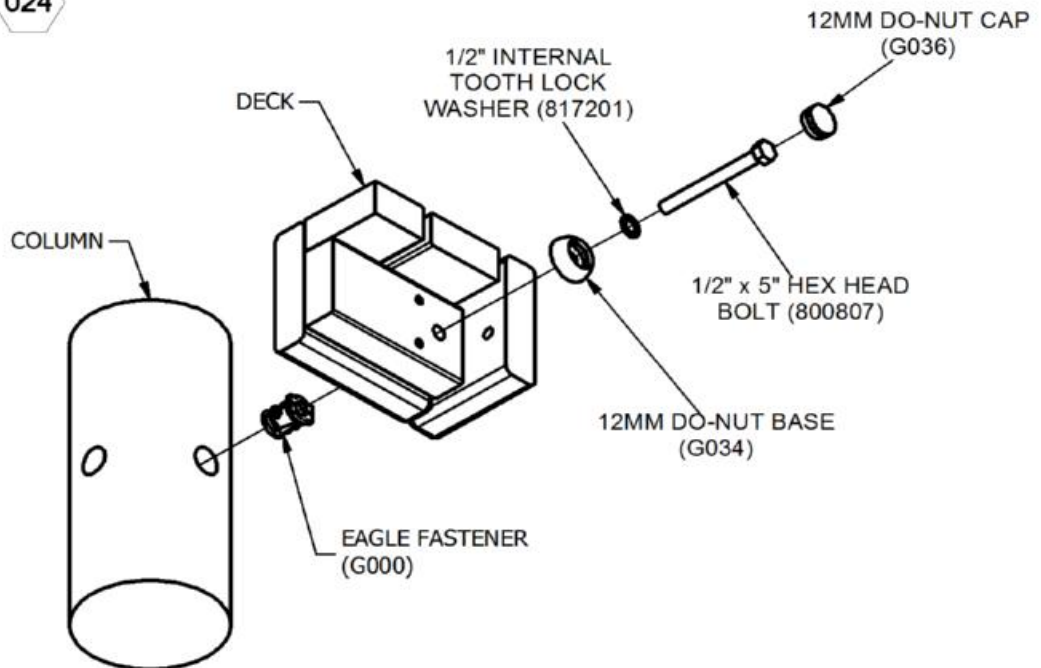


**M03012 PLATFORM 12 BOARD - METAL**  
**Z03012 PLATFORM 12 BOARD - WOOD**

023



024



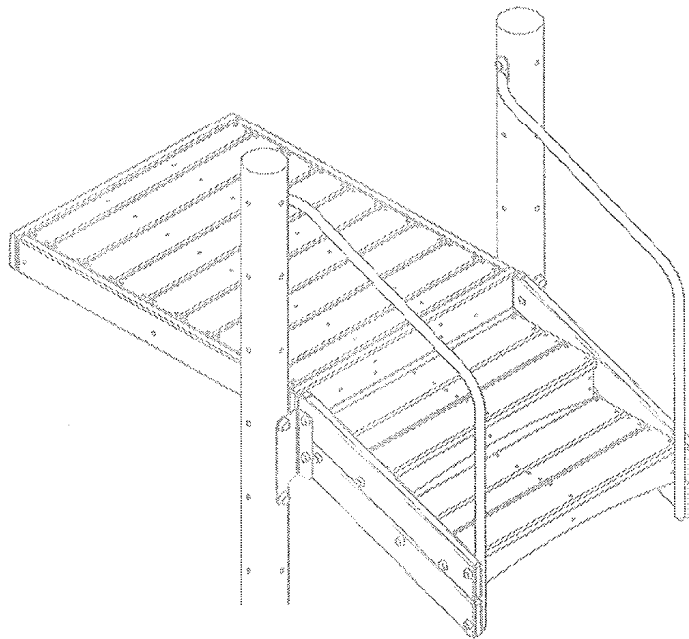
# Ground Access Stairs 18" - Metal


M03-077

Installation Instructions













# BigToys









A PLAYCORE Company



DET.	QTY.	PART#	DESCRIPTION	ICON (NOT TO SCALE)
A	2	M582	Modular Stair Assembly - M	
B	1	G261P	Stair Hanger - Right	
C	1	G260P	Stair Hanger - Left	
D	2	401794	Modular 18" Stair Top Support - M	
E	2	401795	Modular 18" Stair Bottom Support - M	
F	1	401741	Toekick, Filler	
G	1	404716	Handrail, Grd Access Stair 18"- Right	
H	1	404715	Handrail, Grd Access Stair 18"- Left	
I	6	M000	Threaded Insert 1/2"	

Continued 

DET.	QTY.	PART#	DESCRIPTION	ICON (NOT TO SCALE)
		E057_	Connector, Grd Access Stair 18" -M	
J	12	H577	Washer 3/8" Barbed Galvanized	
K	12	G030	Do-Nut Base (No Boss) 10mm	
L	12	G032	Do-Nut Cap 10mm	
M	12	817200	Lock Washer, 3/8" Int Tooth Type A PLTD	
N	12	804053	Nut Hex 3/8-16 NC Pltd	
O	4	801206	Bolt Tap 1/2-13 x 1-3/4" Grd 2 Nc Pltd	
P	4	G034	Do-Nut Base (No Boss) 12mm	
Q	4	G036	Do-Nut Cap 12mm	
R	4	817201	Lock Washer, 1/2" Int Tooth Type A PLTD	
S	4	800258	Bolt Carriage 3/8 x 2-1/4" Nc Pltd	
T	8	800263	Bolt Carriage 3/8 x 3-1/2" SS	
U	4	810060	Screw, Sht Metal FH SQ DR #10 x 2" SS	

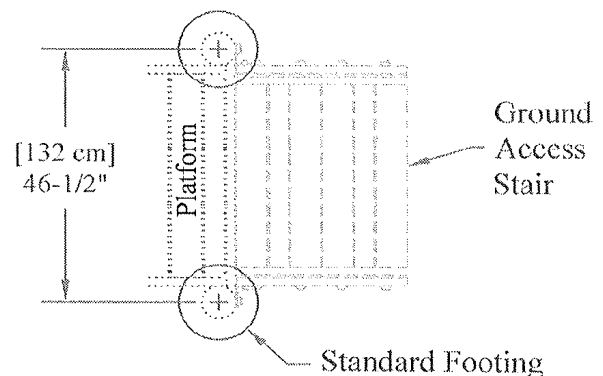
		E047_	Conn, Handrail Grd Access Stair - M	
V	2	G034	Do-Nut Base (No Boss) 12mm	
W	2	G036	Do-Nut Cap 12mm	
X	2	817201	Lock Washer, 1/2" Int Tooth Type A PLTD	
Y	2	801206	Bolt Tap 1/2-13 x 1-3/4" Grd 2 Nc Pltd	
Z	4	G030	Do-Nut Base (No Boss) 10mm	
AA	4	G032	Do-Nut Cap 10mm	
BB	4	817200	Lock Washer, 3/8" Int Tooth Type A PLTD	
CC	4	801012	Bolt Hex 3/8-16 x 3-1/4" Grd 2 NC Pltd	

DD	4	804556	3/8" T-Nut	
----	---	--------	------------	---

1. Refer to your structure design for location of Ground Access Stairs.
2. If columns are not already installed, **lay out footings and dig holes** as shown on page 4. For footing depths (See "Standard Footing" in "Typical Concrete Footings.")



*Make sure the entire structure is plumb and level before filling footing holes with concrete.*



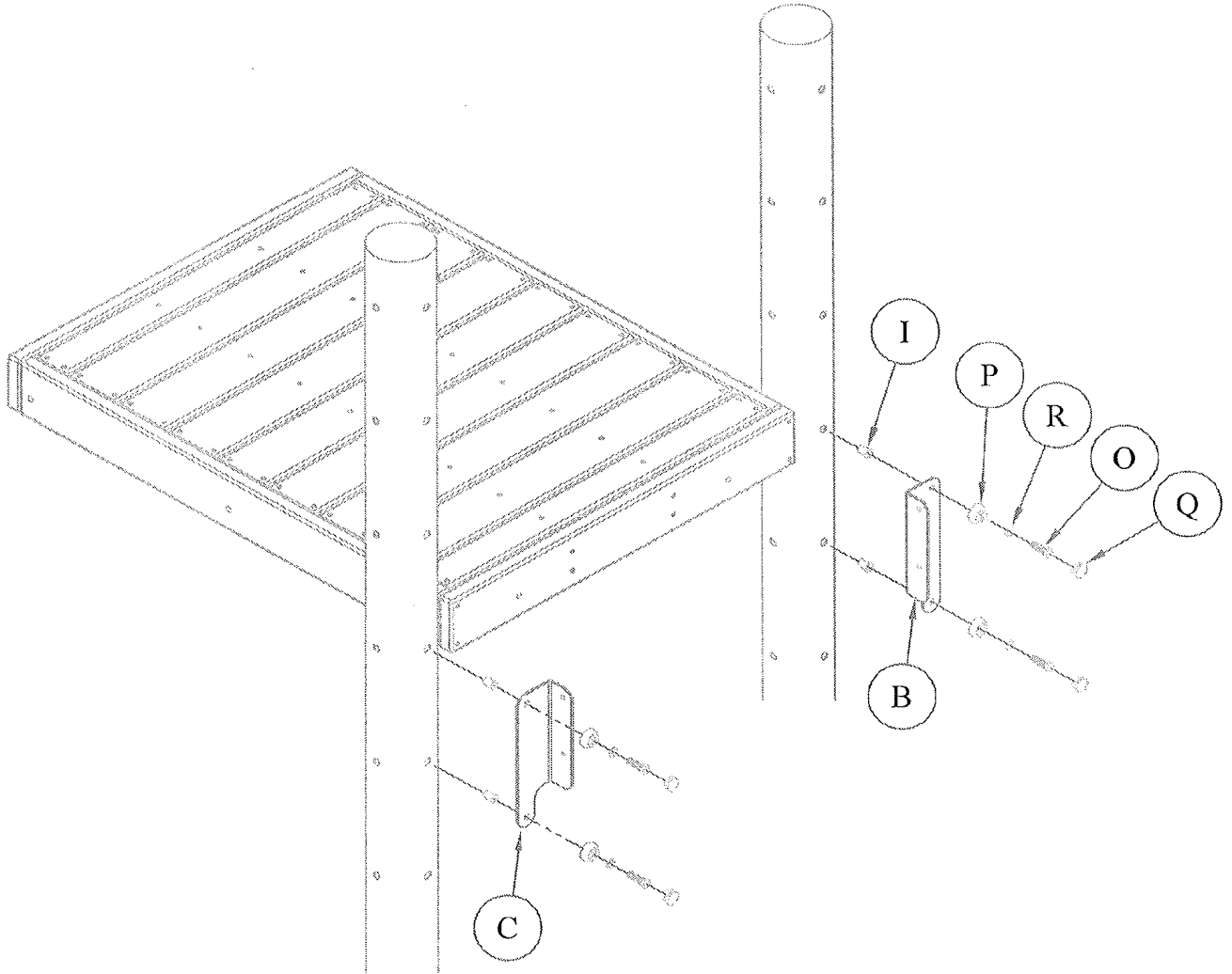
**Footing Layout**

3. **Install Threaded Inserts (I)** in columns.  
(See "Typical Threaded Insert Installation.")

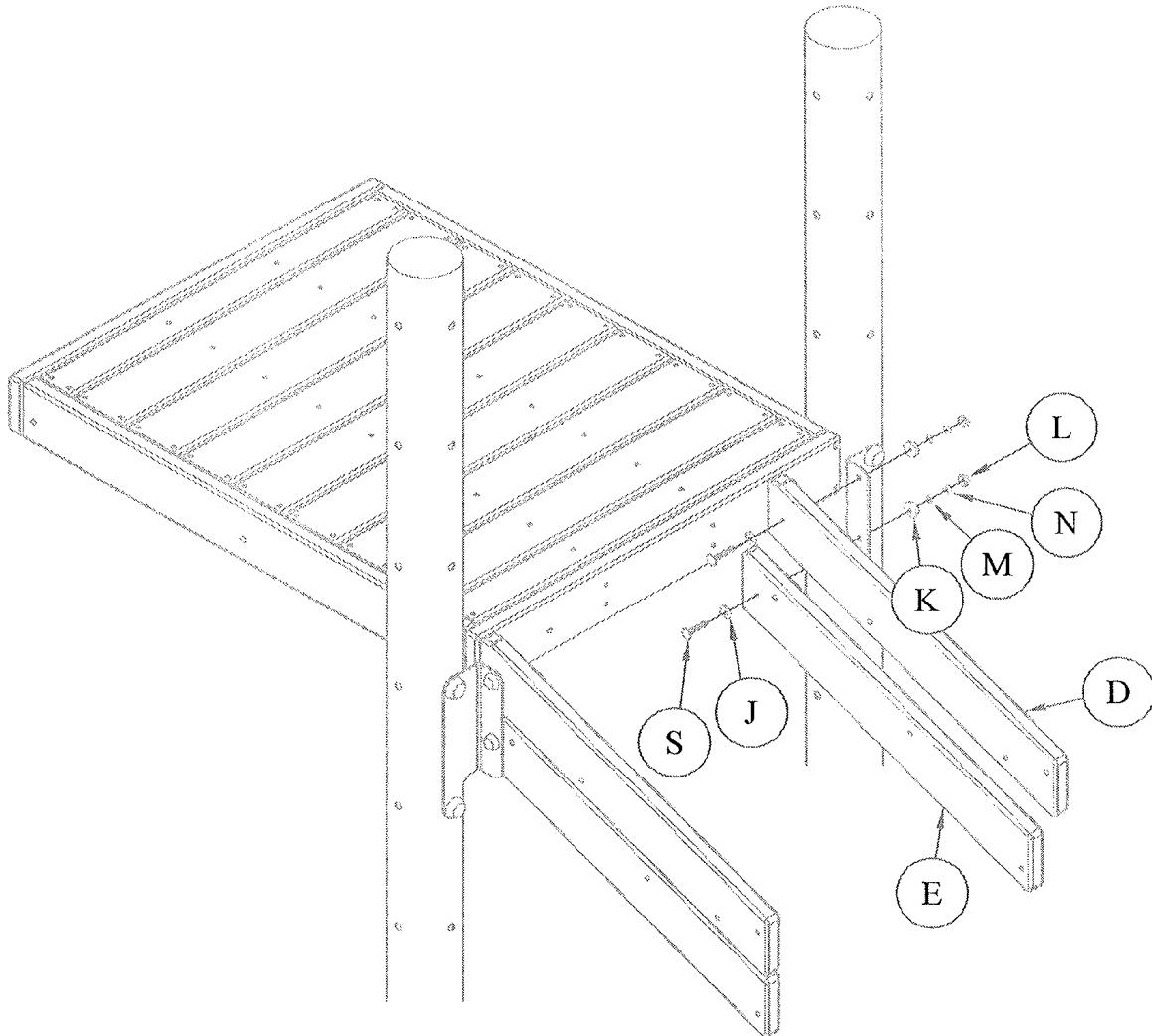
4. **Attach Brackets (C)(B)** to columns  
using hardware (P)(R)(O)(Q).



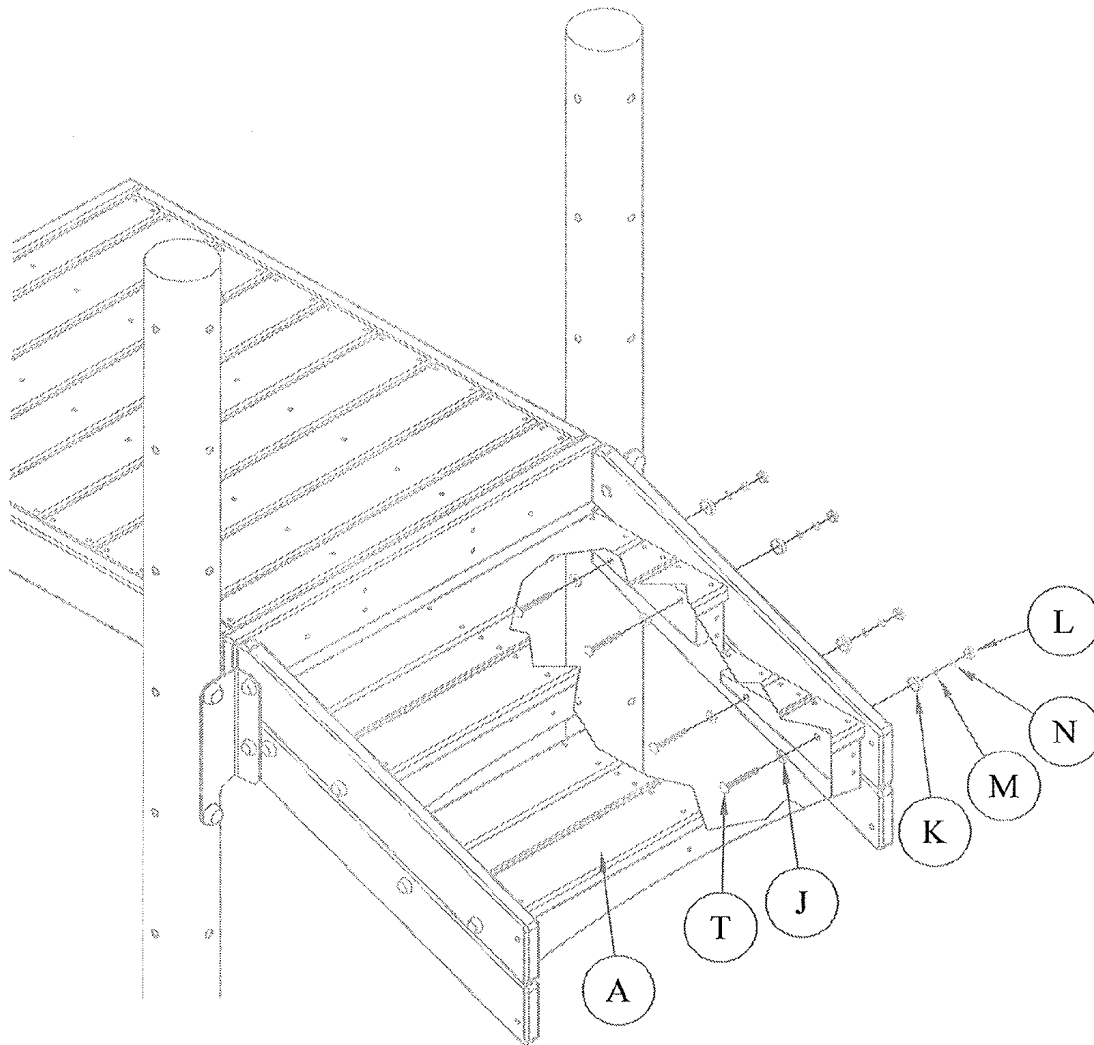
*Refer to "Typical Threaded Insert Installation" in the supplemental prolog (iM1000) for installation procedures.*



5. Attach Stair Supports (E)(D) using hardware (S)(J)(K)(M)(N)(L).



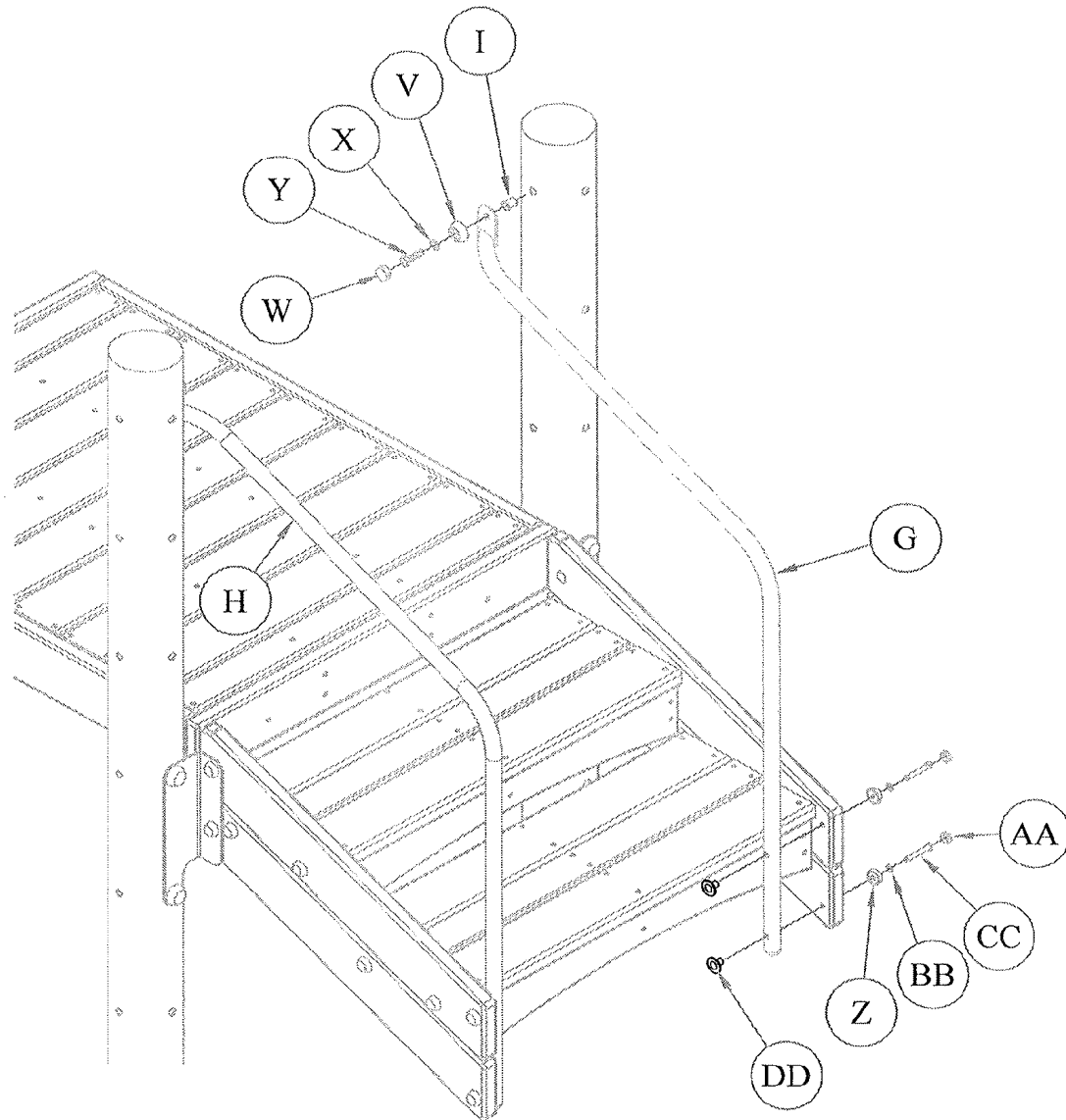
6. **Install Modular Stair Assembly (A)** using hardware (U)(J)(K)(M)(N)(L).



7. **Attach Handrails (G)(H)** to ends of Stair Supports (D)(E) using hardware (Z)(BB)(CC)(AA).
- ).
- Install Threaded Insert (I) into column and use hardware (V)(X)(Y)(W) to attach top of Handrails (G)(H).



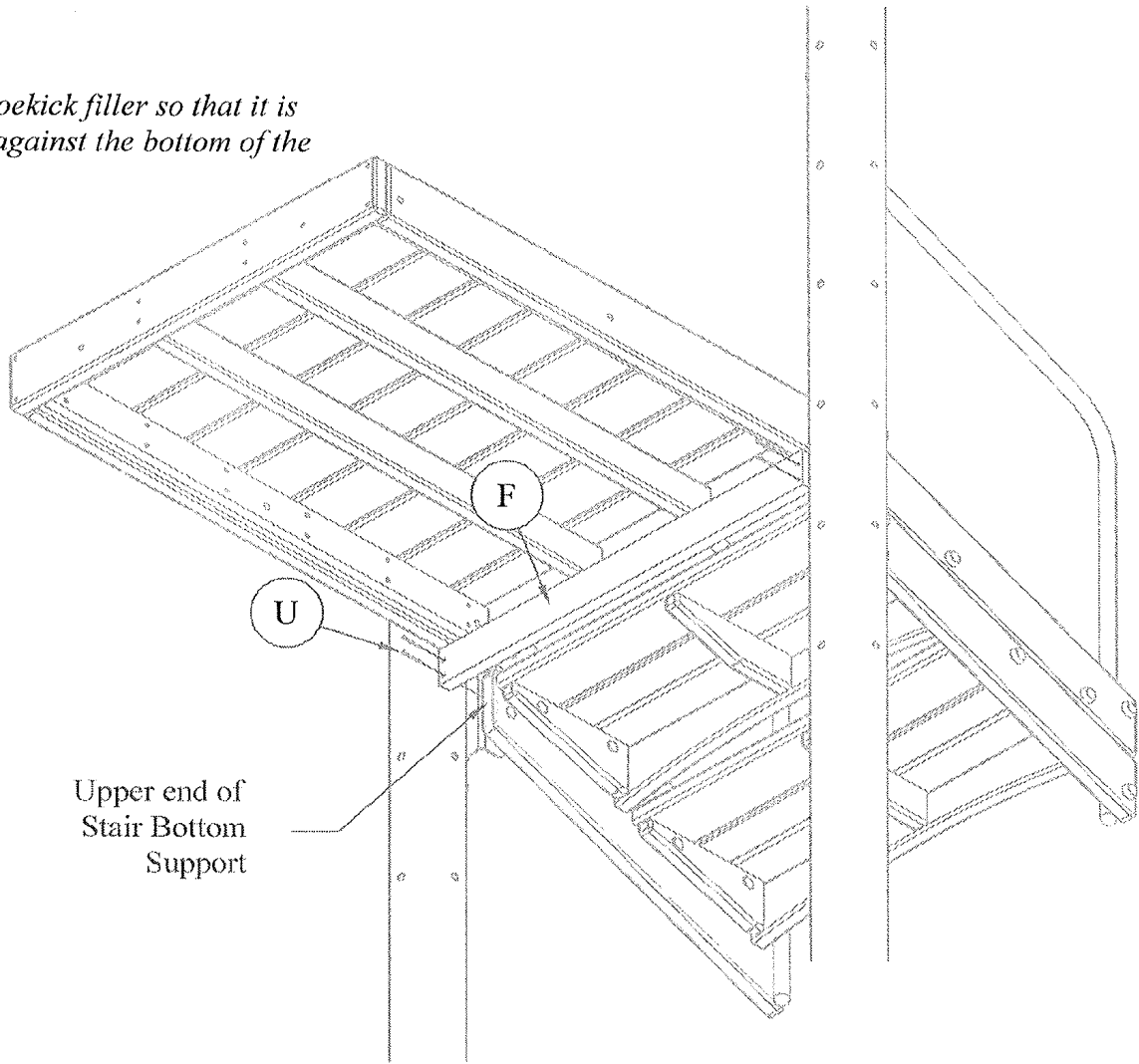
Refer to "Typical Threaded Insert Installation" in the supplemental prolog (iM1000) for installation procedures.



7. **Attach Toekick Filler (F)** to underside of stairs as shown using hardware (U).



*Attach Toekick filler so that it is tight up against the bottom of the platform.*



Upper end of  
Stair Bottom  
Support

Viewed from below



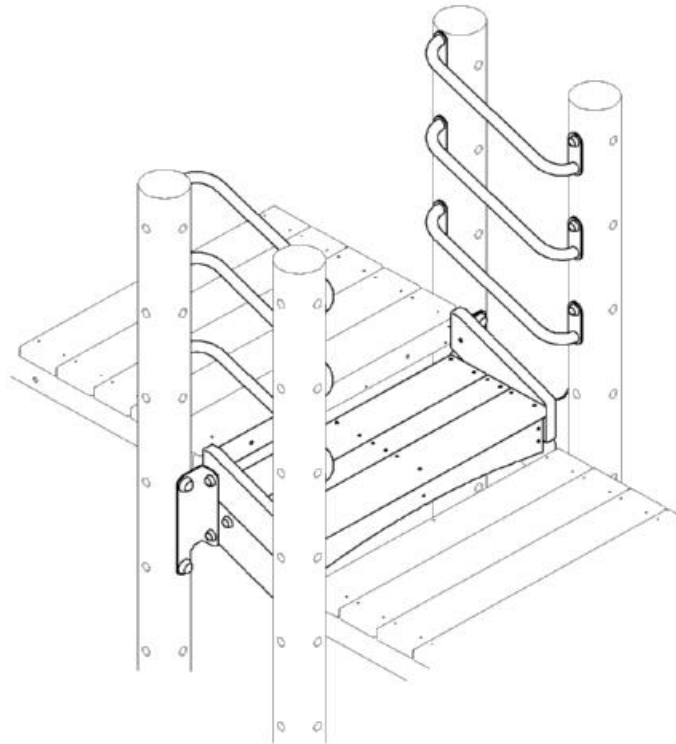
# 12" Modular Stair - US/EN - Metal











M03-078


Installation Instructions

**BigToys**

A PLAYCORE Company



DET.	QTY.	PART#	DESCRIPTION	ICON (NOT TO SCALE)
A	1	M582	Modular Stair Assembly - M	
B	2	G260_	Stair Hanger - Left	
C	2	G261_	Stair Hanger - Right	
D	1	401793	Mod. 12" Stair Top Support (Left)	
E	1	401749	Mod. 12" Stair Top Support (Right)	
F	2	401796	Mod. 12" Stair Bottom Support	
G	3	401674	Handrail, 12" Stair - Right	
H	3	401676	Handrail, 12" Stair - Left	
I	1	401741	Toekick, Filler	
J	20	M000	Threaded Insert 1/2"	 
	1	E086_	Connector, Stair Handrails -M	
K	12	G034_	Do-Nut Base (No Boss) 12mm	 
L	12	G036_	Do-Nut Cap 12mm	 
M	12	801206	Bolt Tap 1/2-13 x 1-3/4" Grd 2 Nc Pltd	 
N	12	817201	Lock Washer, 1/2" Int Tooth Type A PLTD	 

Continued 

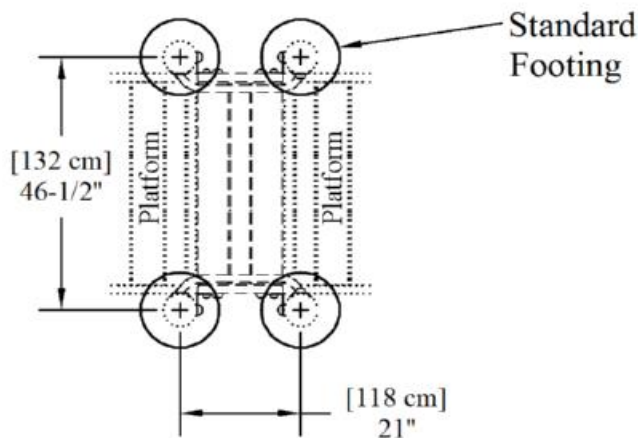
DET.	QTY.	PART#	DESCRIPTION	ICON (NOT TO SCALE)
	1	E060	Connector, Modular Stair 12" - M	
O	8	G034_	Do-Nut Base (No Boss) 12mm	
P	8	G036_	Do-Nut Cap 12mm	
Q	12	804053	Nut Hex 3/8-16 NC Pltd	
R	8	801206	Bolt Tap 1/2-13 x 1-3/4" Grd 2 Nc Pltd	
S	8	817201	Lock Washer, 1/2" Int Tooth Type A PLTD	
T	12	G030_	Do-Nut Base (No Boss) 10mm	
U	12	G032_	Do-Nut Cap 10mm	
V	2	801007	Bolt, Hex 3/8-16 x 2" Grd 2 NC Pltd	
W	12	817200	Lock Washer, 3/8" Int Tooth Type A PLTD	
X	4	800263	Bolt Carriage 3/8 x 3-1/2" NC Pltd	
Y	12	H577	Washer 3/8" Barbed Galvanized	
Z	2	817401	Washer 3/8" USS SS	
AA	6	800258	Bolt Carriage 3/8 x 2-1/4" Nc Pltd	
BB	4	810060	Screw, Sht Metal FH SQ DR #10 x 2" SS	

1. Refer to your structure design for location of Modular Stairs.

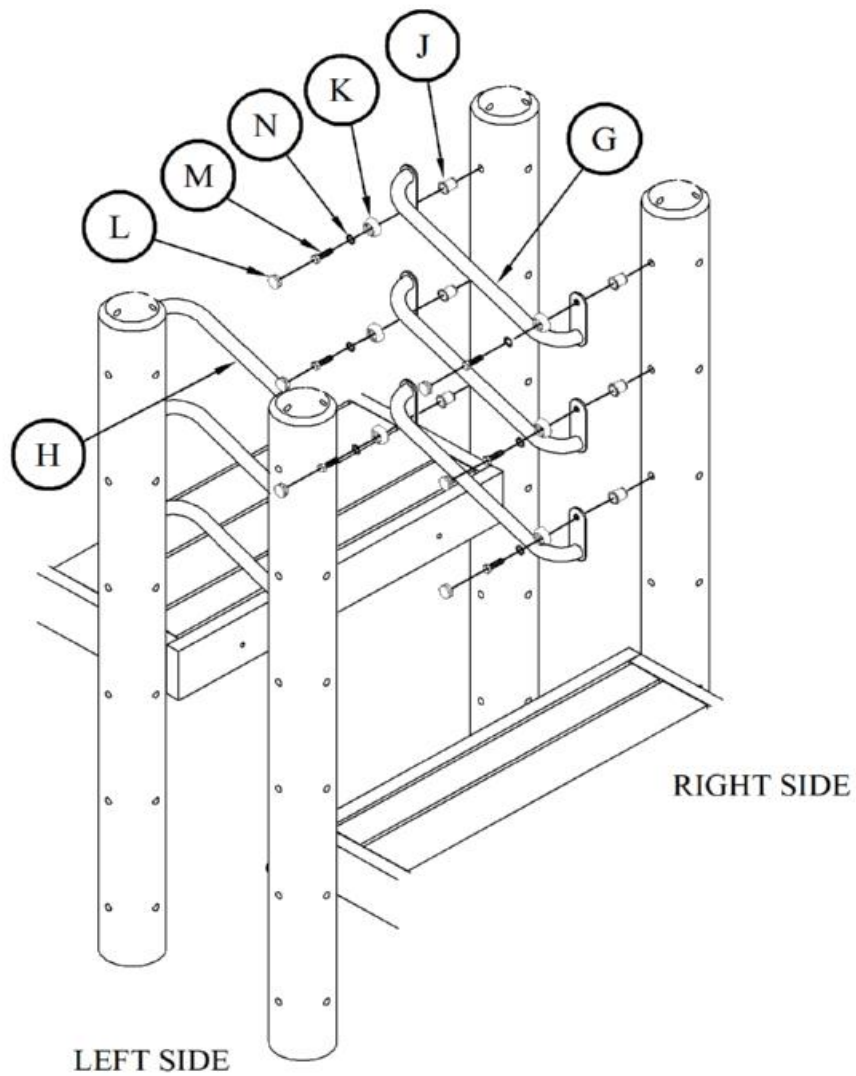
2. If columns are not already installed, **lay out footings and dig holes** as shown. For footing depths (See "Standard Footing" in "Typical Concrete Footings.")



*Make sure the entire structure is plumb and level before filling footing holes with concrete.*



3. **Install Threaded Inserts (J)** in columns.  
(See "Typical Threaded Insert Installation.")
4. **Attach Handrails (H)(G)** to columns using hardware (K)(N)(M)(L).  
(See "Typical Do-Nut Installation.")

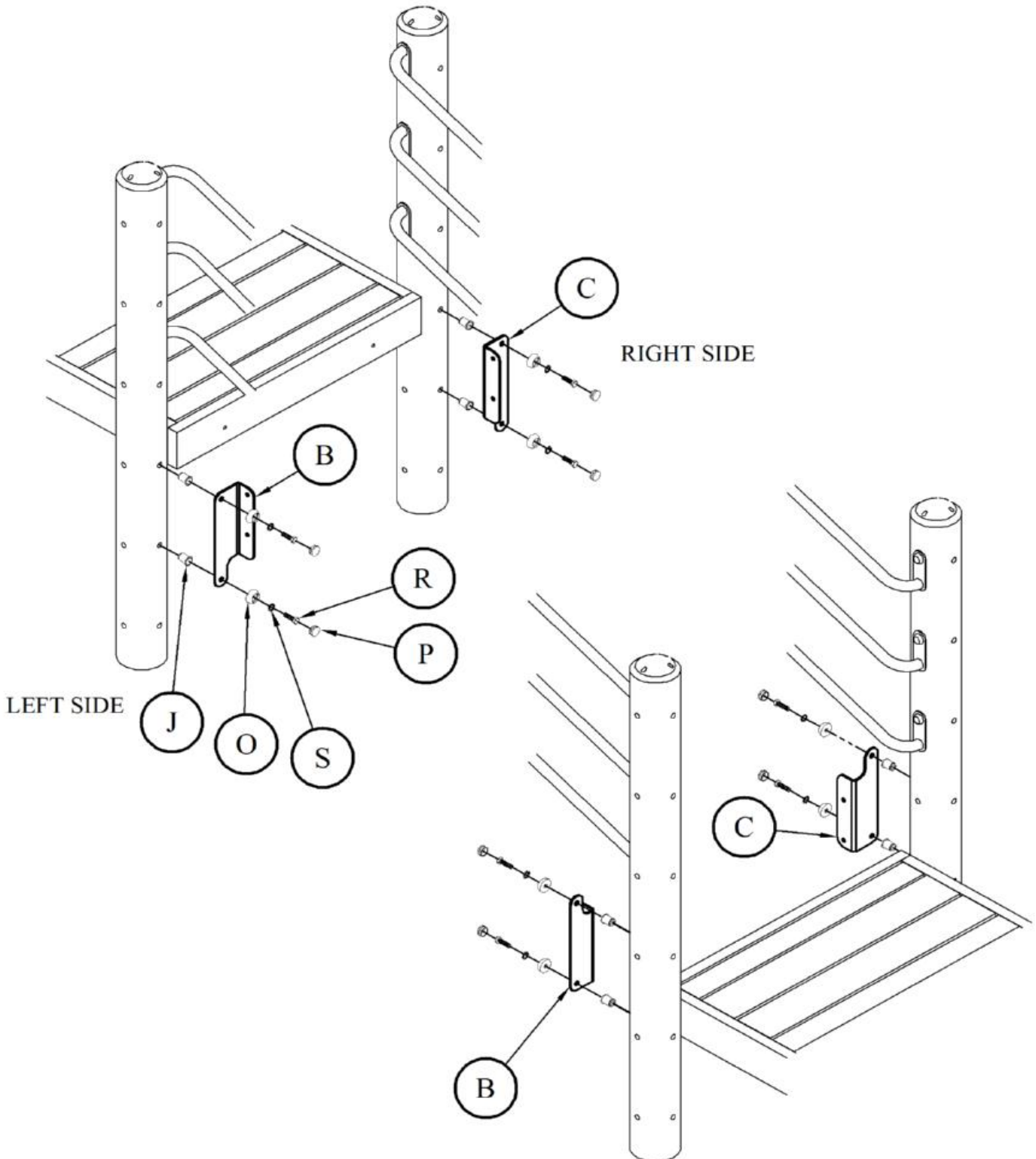


5. **Install Threaded Inserts (J)** in columns.  
(See "Typical Threaded Insert Installation.")



6. **Attach Stair Hangers (B)(C)** to columns  
using hardware (O)(S)(R)(P).  
(See "Typical Do-Nut Installation.")

*Please note that the orientation of the lower brackets is inverted 180° from the upper brackets.*

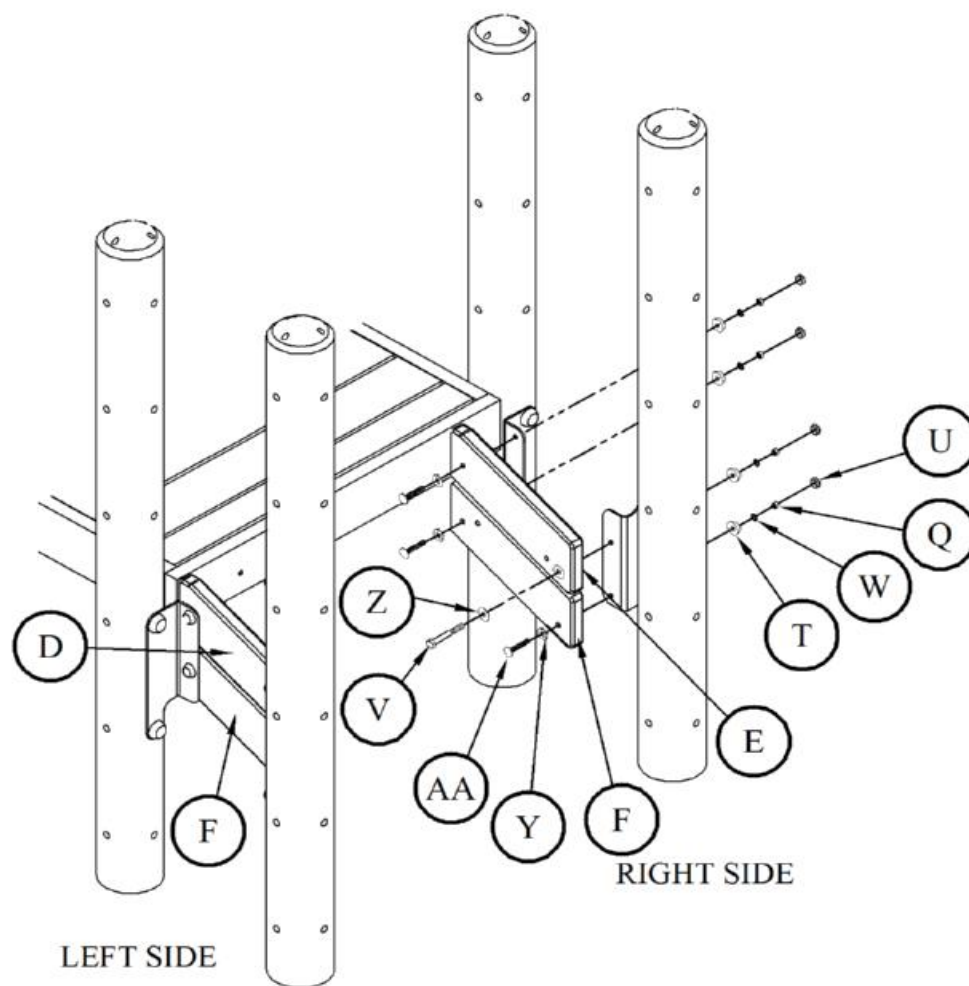


7. Assemble Modular Stair Support (Right)

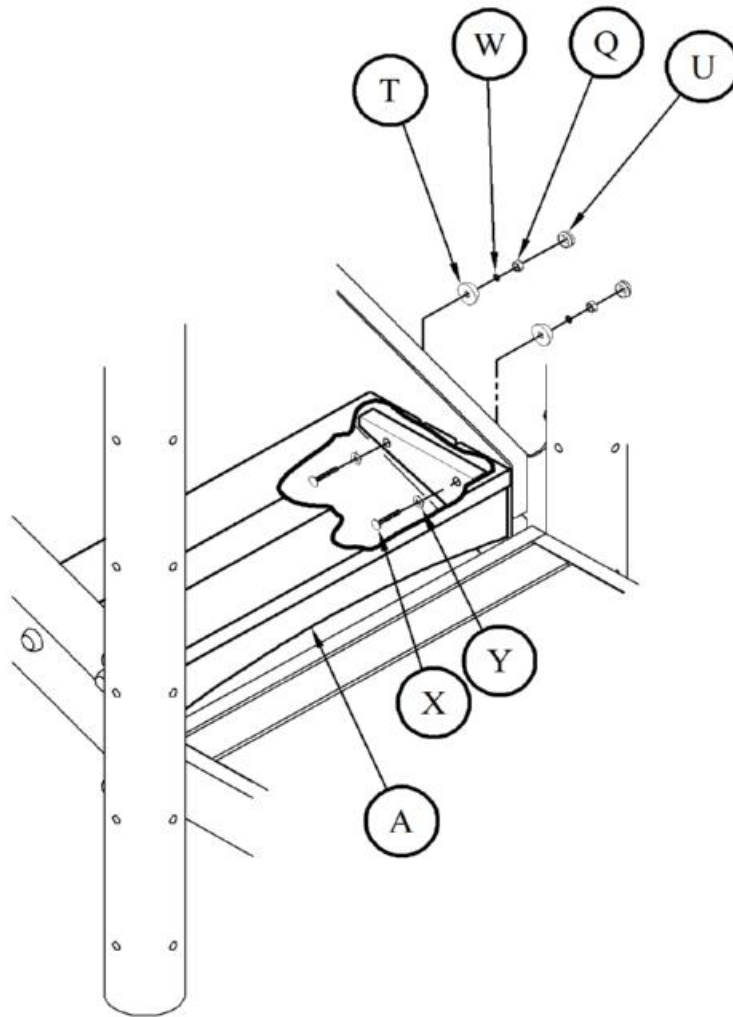
(E)(F) using (Z)(V)(AA)(Y) and hardware (T)(W)(Q)(U).

8. Assemble Modular Stair Support (Left)

(D)(F) using (Z)(V)(AA)(Y) and hardware (T)(W)(Q)(U).



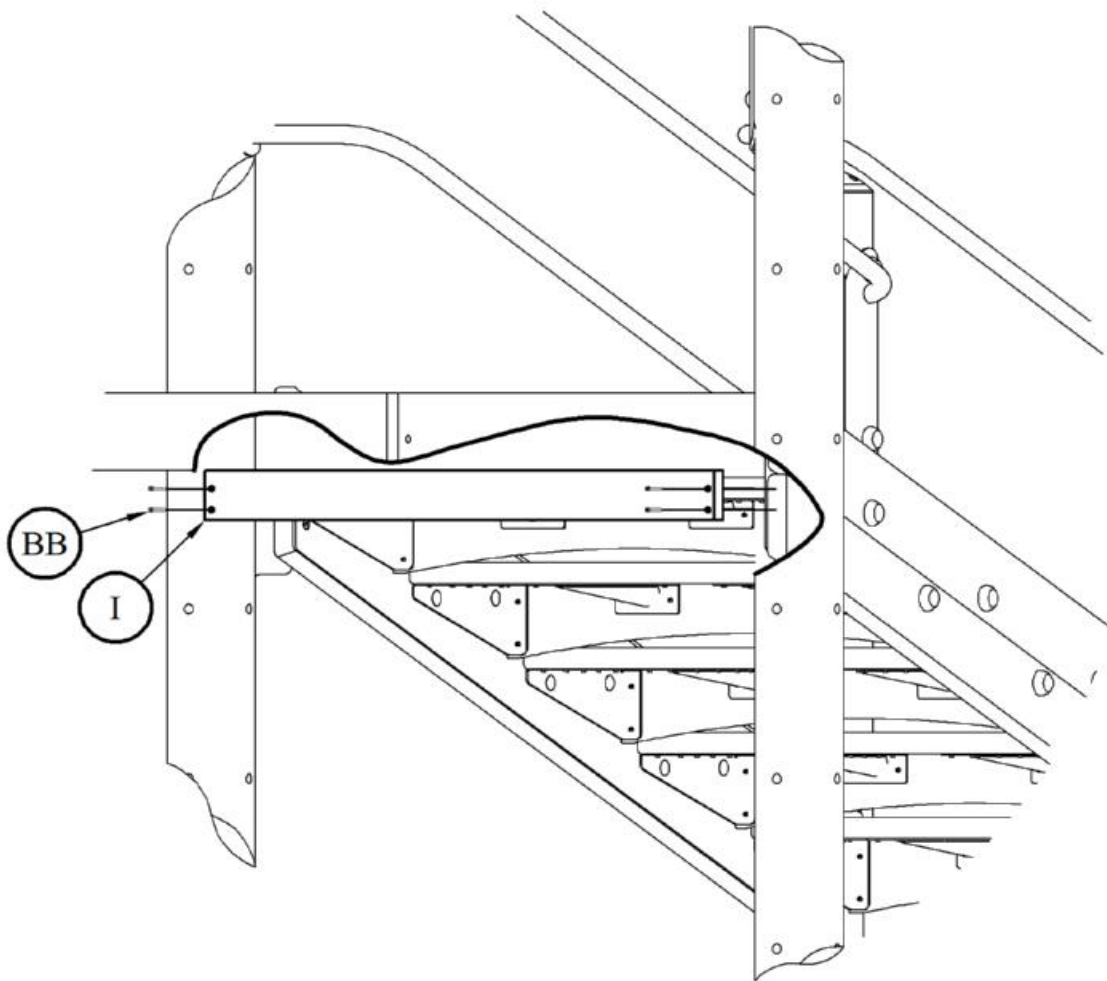
9. **Install Modular Stair Assembly (A)** using hardware (X)(Y)(T)(W)(Q)(U).



10. **Attach Toekick Filler (I)** to underside of stairs as shown using hardware (BB).



*Attach Toekick filler so that it is tight up against the bottom of the platform.*

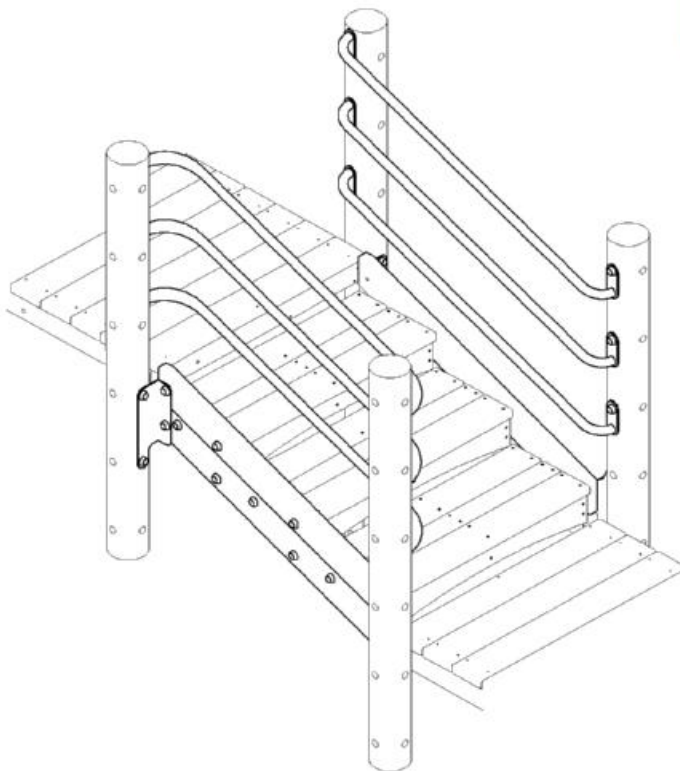














# 24" Modular Stair - US/EN - Metal

M03-079

Installation Instructions



DET.	QTY.	PART#	DESCRIPTION	ICON (NOT TO SCALE)
A	3	M582	Modular Stair Assembly - M	
B	2	G260_	Stair Hanger - Left	
C	2	G261_	Stair Hanger - Right	
D	1	401797	Mod. 24" Stair Top Support (Left)	
E	1	401792	Mod. 24" Stair Top Support (Right)	
F	2	401752	Mod. 24" Stair Bottom Support	
G	2	402375	Mod. Stair, Support Stringer 24"	
H	3	402024	Handrail, 24" Stair - Right	
I	3	402058	Handrail, 24" Stair - Left	
J	1	401741	Toekick, Filler	
K	20	M000	Threaded Insert 1/2"	 
	1	E086_	Connector, Stair Handrails -M	
L	12	G034_	Do-Nut Base (No Boss) 12mm	 
M	12	G036_	Do-Nut Cap 12mm	 
N	12	801206	Bolt Tap 1/2-13 x 1-3/4" Grd 2 Nc Pltd	 
O	12	817201	Lock Washer, 1/2" Int Tooth Type A PLTD	 

Continued 

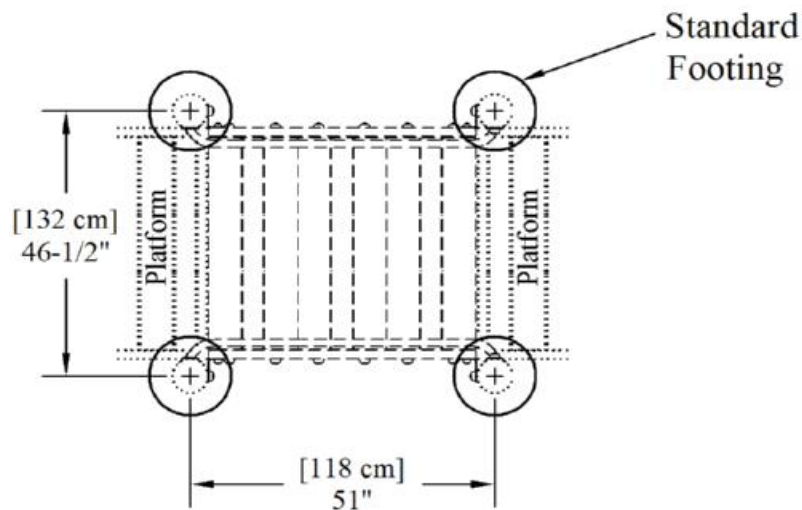
DET.	QTY.	PART#	DESCRIPTION	ICON (NOT TO SCALE)
	1	E064_	Connector, Mod. Stair 24" - M	
P	8	G034_	Do-Nut Base (No Boss) 12mm	
Q	8	G036_	Do-Nut Cap 12mm	
R	24	804053	Nut Hex 3/8-16 NC Pltd	
S	8	801206	Bolt Tap 1/2-13 x 1-3/4" Grd 2 Nc Pltd	
T	8	817201	Lock Washer, 1/2" Int Tooth Type A PLTD	
U	24	G030_	Do-Nut Base (No Boss) 10mm	
V	24	G032_	Do-Nut Cap 10mm	
W	2	801006	Bolt Hex 3/8-16 x 1-3/4" Grd 2 NC Pltd	
X	24	817200	Lock Washer, 3/8" Int Tooth Type A PLTD	
Y	12	800263	Bolt Carriage 3/8 x 3-1/2" NC Pltd	
Z	14	H577	Washer 3/8" Barbed Galvanized	
AA	2	817401	Washer 3/8" USS SS	
BB	6	800258	Bolt Carriage 3/8 x 2-1/4" Nc Pltd	
CC	4	800259	Bolt Carriage 3/8 x 2-1/2" NC Pltd	
DD	4	810060	Screw, Sht Metal FH SQ DR #10 x 2" SS	

1. Refer to your structure design for location of Accessible stairs.

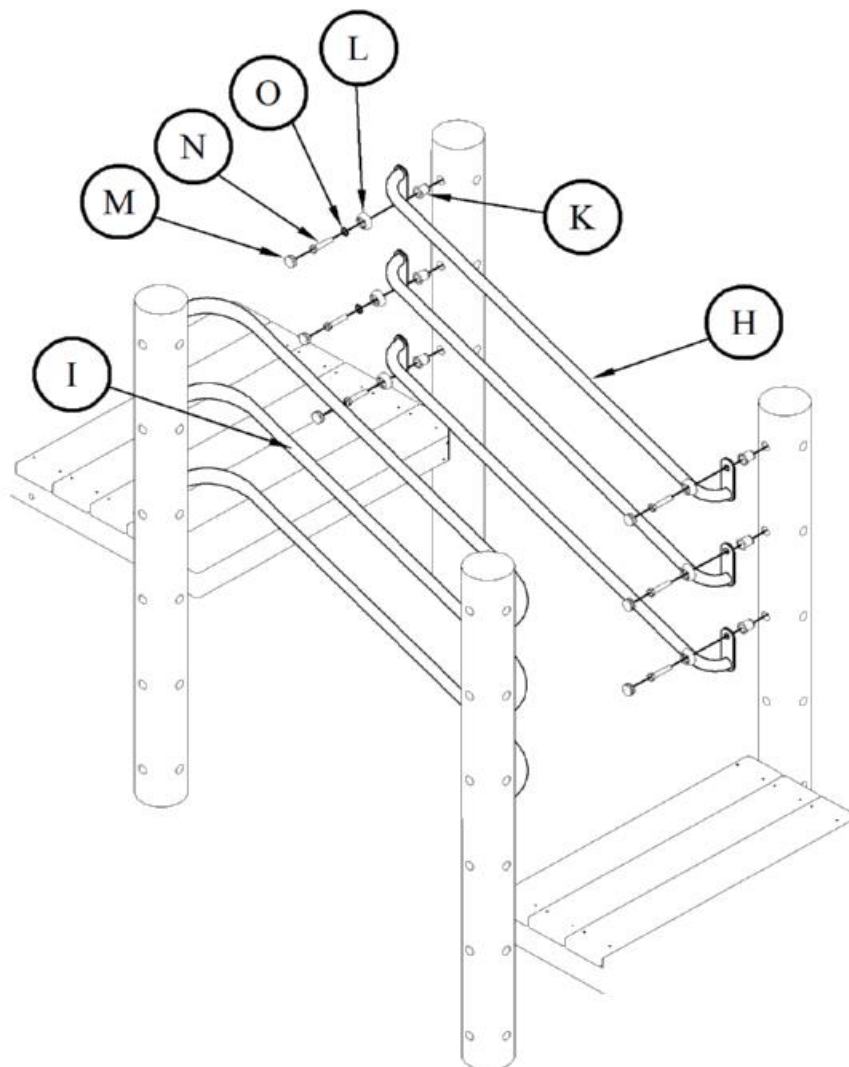


*Make sure the entire structure is plumb and level before filling footing holes with concrete.*

2. If columns are not already installed, **lay out footings and dig holes** as shown. For footing depths (See "Standard Footing" in "Typical Concrete Footings.")



3. **Install Threaded Inserts (K)** in columns.  
(See "Typical Threaded Insert Installation.")
4. **Attach Handrails (H)(I)** to columns using hardware (L)(O)(N)(M).  
(See "Typical Do-Nut Installation.")

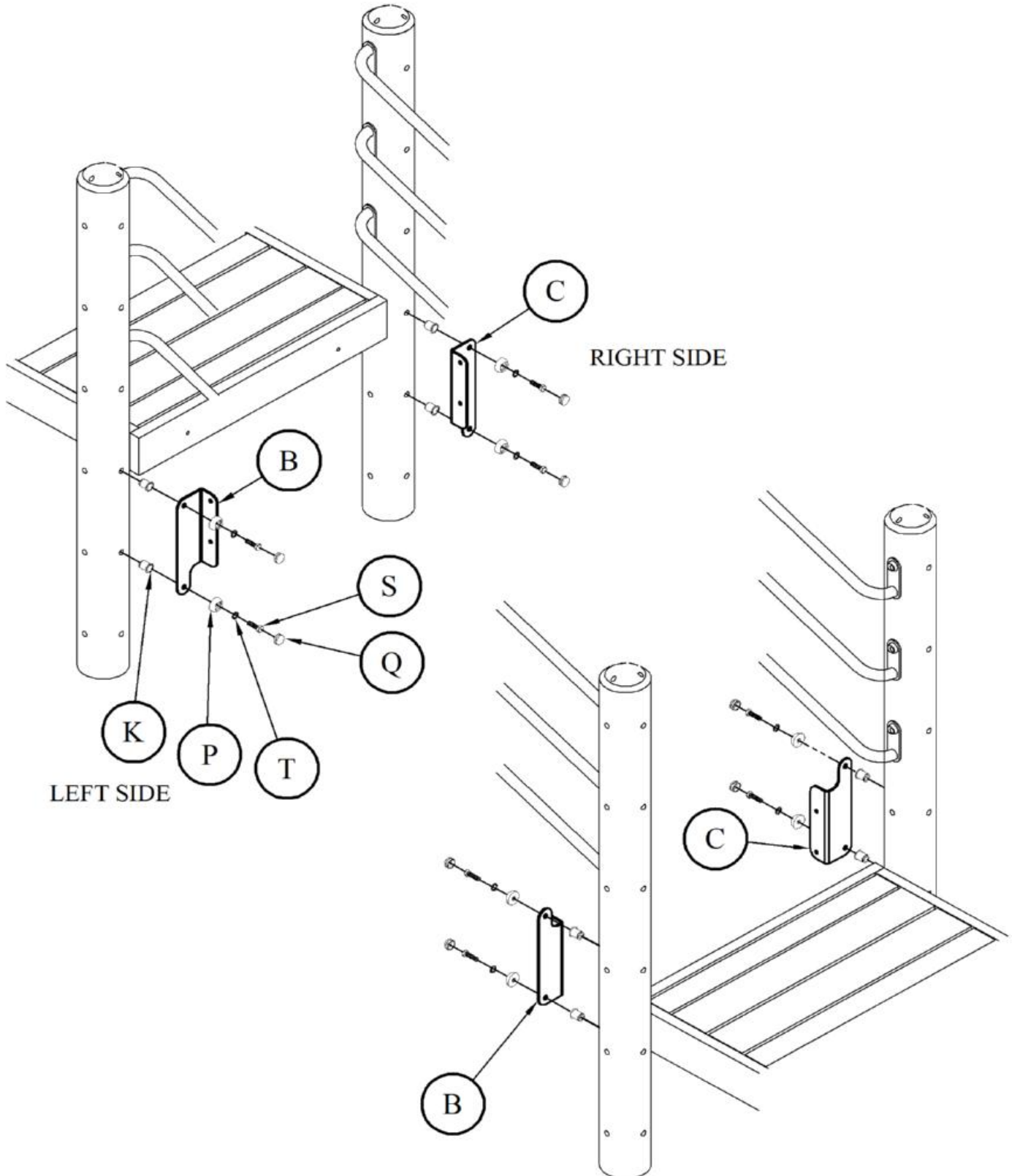


5. **Install Threaded Inserts (K)** in columns.  
(See "Typical Threaded Insert Installation.")



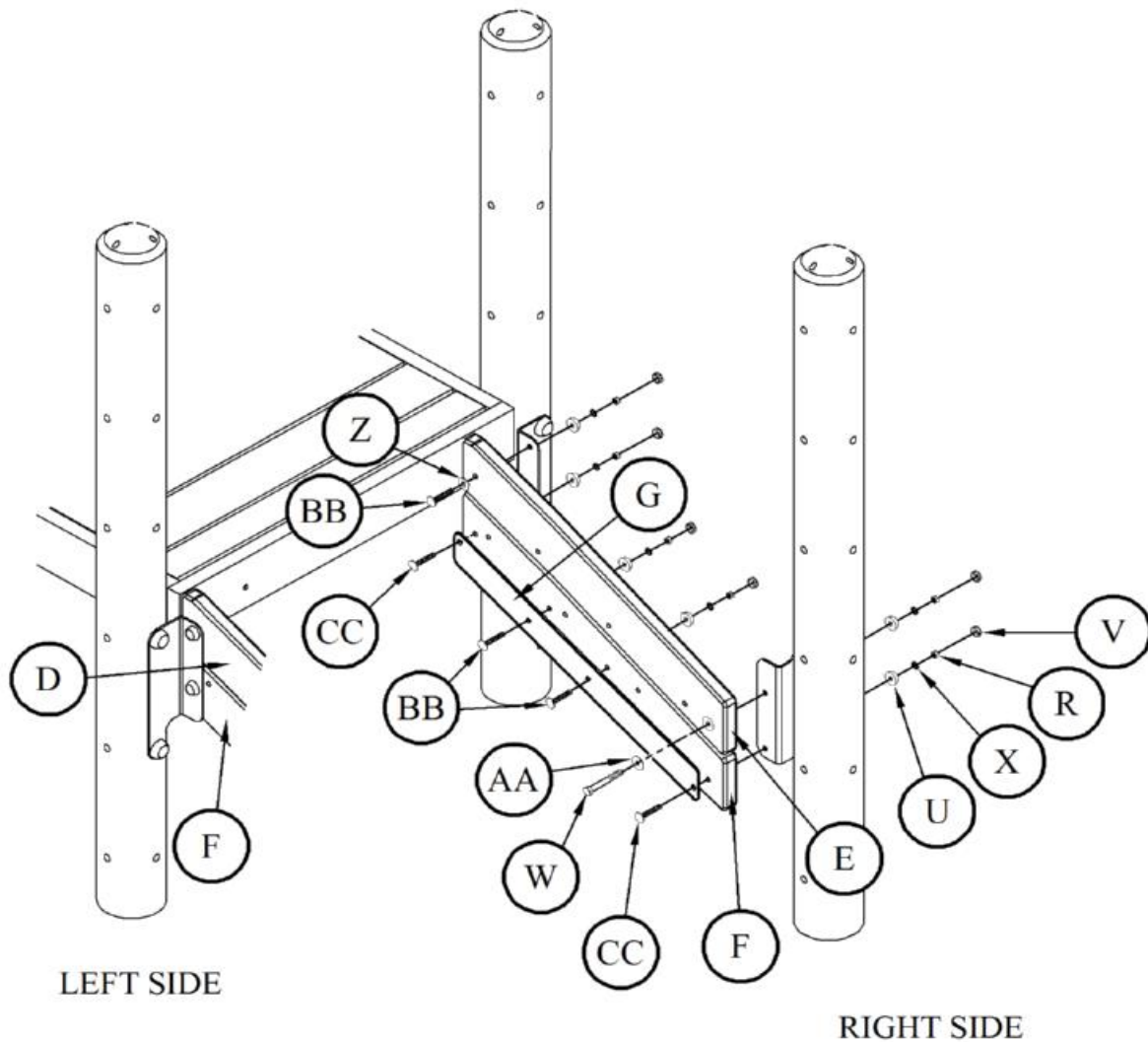
6. **Attach Brackets (B)(C)** to columns  
using hardware (P)(T)(S)(Q).  
(See "Typical Do-Nut Installation.")

*Please note that the orientation of the lower  
brackets is inverted 180° from the upper  
brackets.*



7. **Assemble Modular Stair Left Side Support** using (D)(F)(G) and hardware (AA)(W)(Z)(BB)(CC)(U)(X)(R)(V).

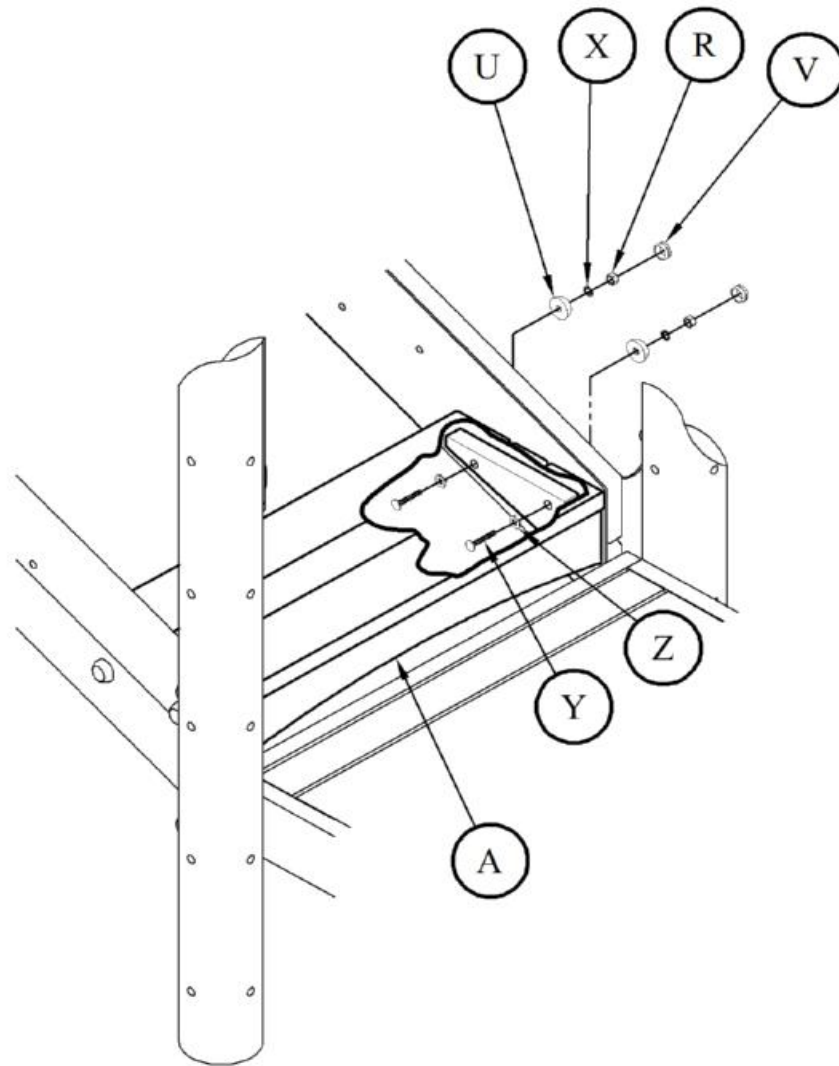
8. **Assemble Modular Stair Right Side Support** using (E)(F)(G) and hardware (AA)(W)(Z)(BB)(CC)(U)(X)(R)(V).



LEFT SIDE

RIGHT SIDE

9. **Install Modular Stair Assembly (A)** using hardware (Y)(Z)(U)(X)(R)(V).

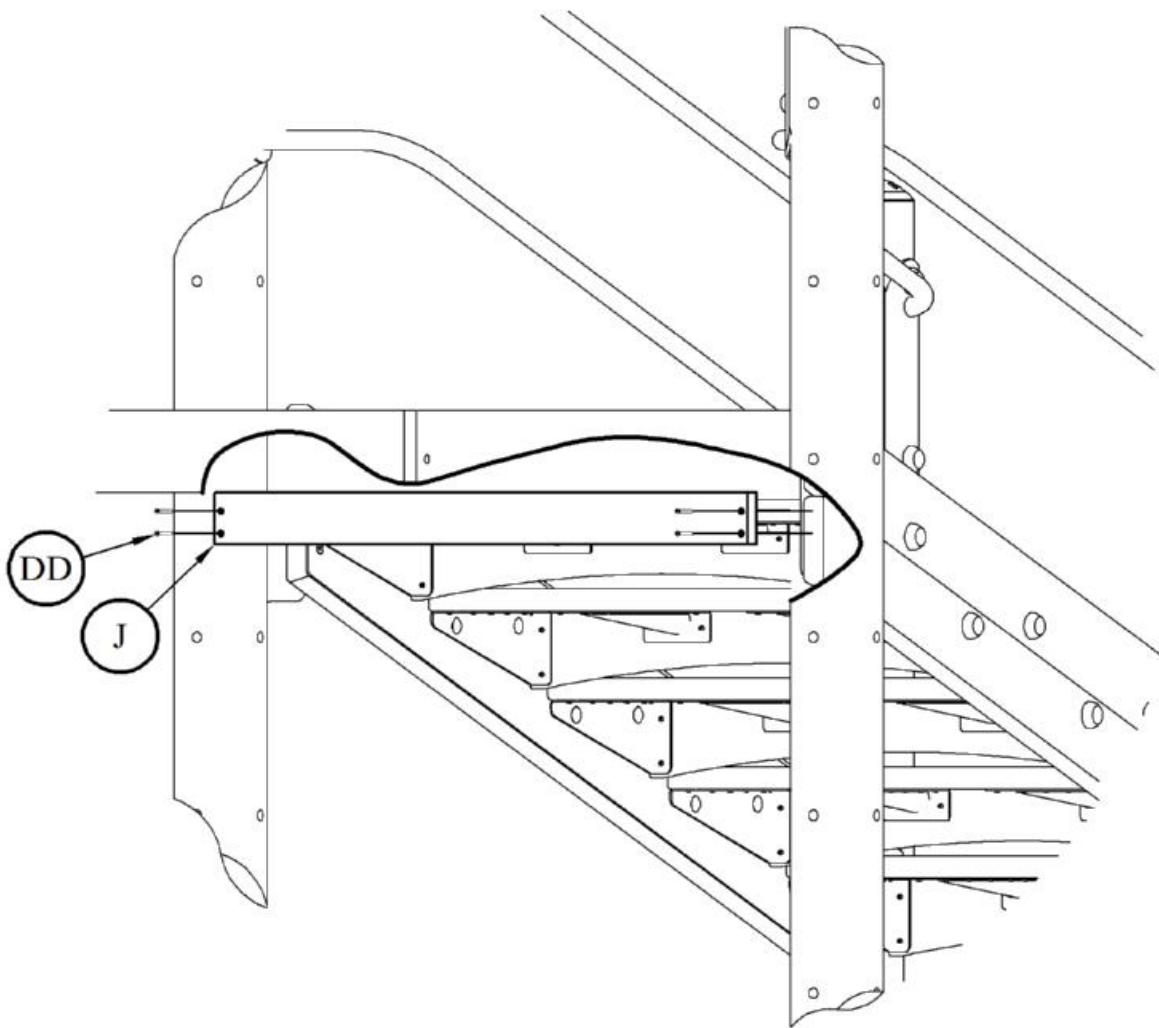


10. **Repeat step 9 for Remaining Modular Stair Assemblies.**

11. **Attach Toekick Filler (J)** to underside of stairs as shown using hardware (DD).



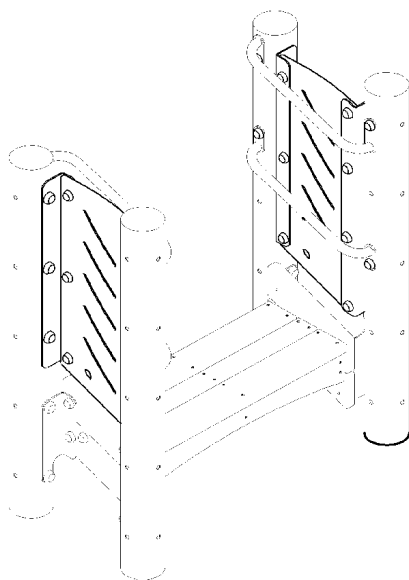
*Attach Toekick filler so that it is tight up against the bottom of the platform.*





# Stair Barrier 12" - Metal

M03-081  
Installation Instructions



DET.	QTY.	PART#	DESCRIPTION	ICON (NOT TO SCALE)
A	2	L522_	Barrier, 12" Stairs	
B	1	4450_	Bracket, Stair Barrier, Lower Right	
C	1	4452_	Bracket, Stair Barrier, Lower Left	
D	1	4454_	Bracket, Stair Barrier, Upper Right	
E	1	4456_	Bracket, Stair Barrier, Upper Left	
F	12	M000	Threaded Insert 1/2"	
	1	E019_	Connector, Stair Barrier - M	
G	12	G034_	Do-Nut Base (No Boss) 12mm	
H	12	G036_	Do-Nut Cap 12mm	
I	12	817201	Lock Washer, 1/2" Int Tooth Type A PLTD	
J	12	801206	Bolt Tap 1/2-13 x 1-3/4" Grd 2 Nc Pltd	
K	14	801006	Bolt Hex 3/8-16 x 1-3/4" Grd 2 NC Pltd	
L	28	817200	Lock Washer, 3/8" Int Tooth Type A PLTD	
M	28	G032_	Do-Nut Cap 10mm	
N	30	G030_	Do-Nut Base (No Boss) 10mm	
O	14	804053	Nut Hex 3/8-16 NC Pltd	

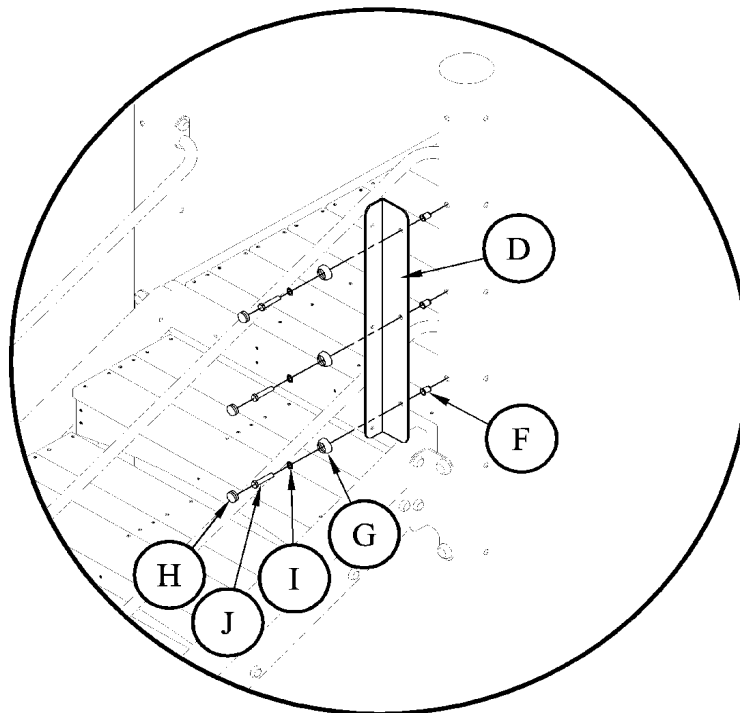
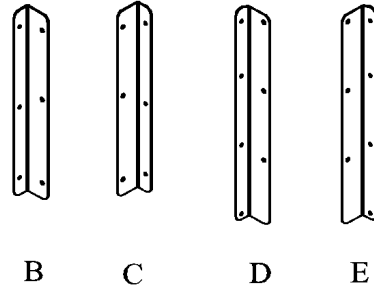
1. Refer to your structure design for location of 12" Stair Barrier.
2. **Install Threaded Inserts (F)** in columns.  
(See "Typical Threaded Insert Installation.")
3. **Attach Brackets (B)(C)(D)(E)** to columns using hardware (G)(I)(J)(H).  
(See "Typical Do-Nut Installation.")



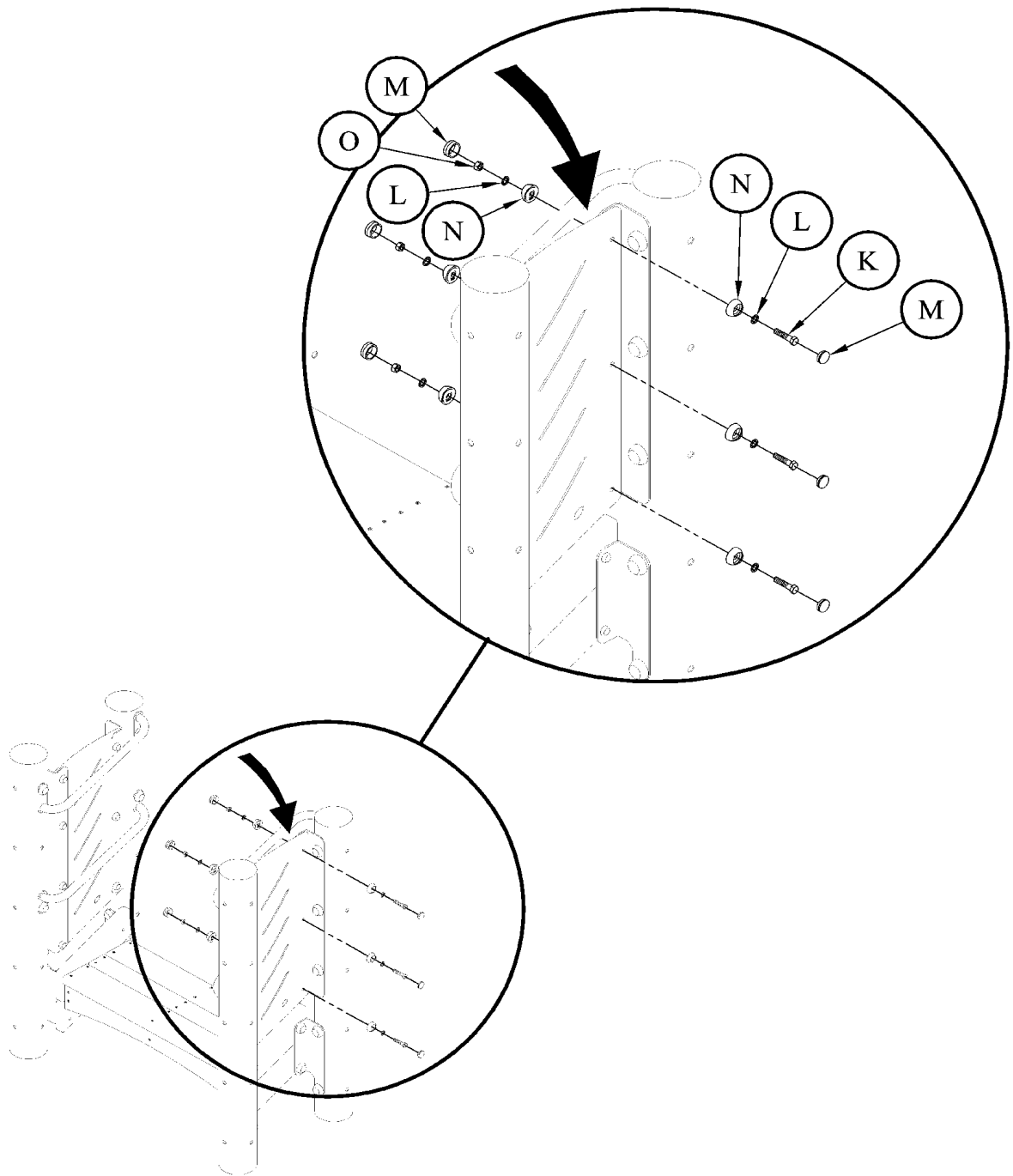
*Make sure the entire structure is plumb and level before filling footing holes with concrete.*



Refer to "Typical Threaded Insert Installation" in the supplemental Installation Instruction Prolog (iM1000) for installation procedures.



4. Attach Barrier Panel (A) to brackets using hardware (N)(L)(K)(O)(M).



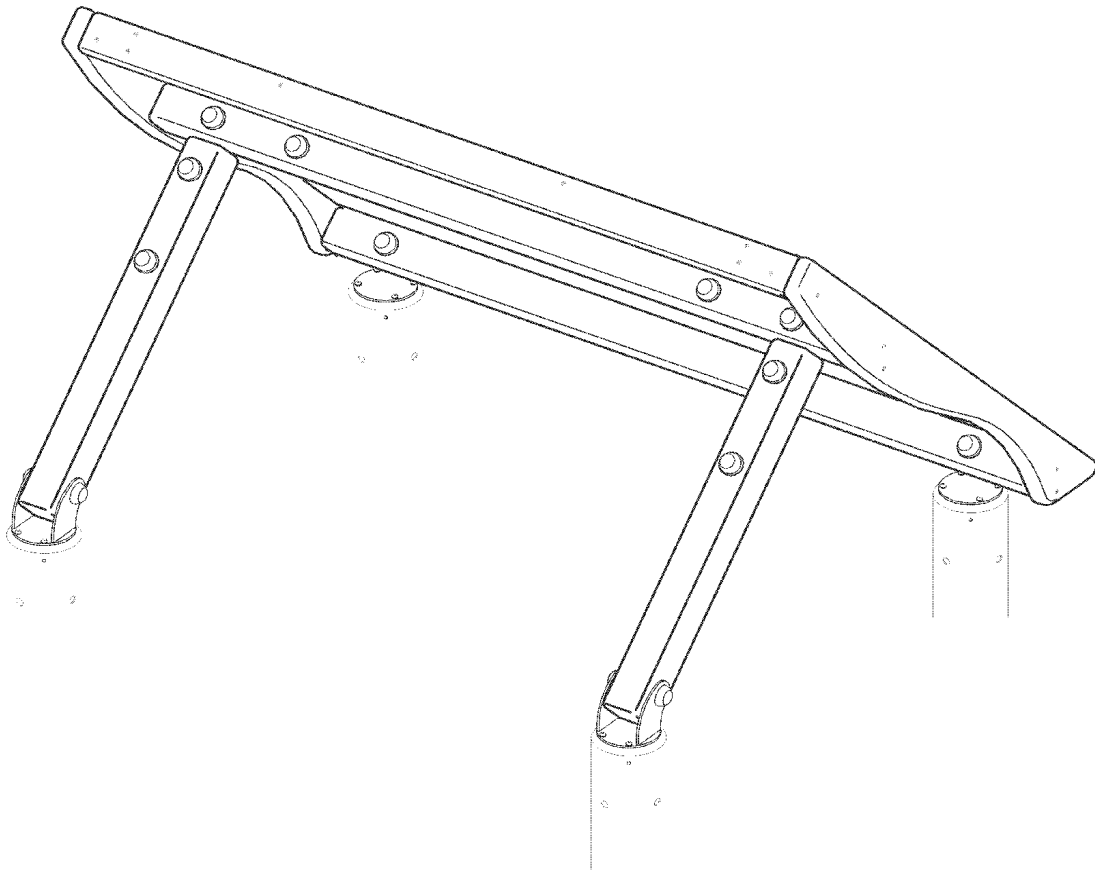


# Clubhouse Roof 75-1/2" - Metal


M04-002, M53-004  
Installation Instructions







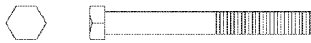








# BigToys

A PLAYCORE Company



DET.	QTY.	PART#	DESCRIPTION	ICON (NOT TO SCALE)
A	2	M200	Fascia Clubhouse	
B	25	402004	Rafter Clubhouse	
C	1	M210	Rafter Clubhouse Edge	
D	1	M250	Purlin Lower 75-1/2"	
E	1	M265	Purlin Upper 75-1/2"	
F	2	M275	Roof Support 33-1/4"	
G	1	M290	Roof Trim Board 75-1/2"	

Continued 

DET.	QTY.	PART#	DESCRIPTION	ICON (NOT TO SCALE)
	1	E290_	Connector Roof 75-1/2"	
H	2	401352	Bracket, Roof Purlin	
I	2	G952_	Bracket, Roof Support	
J	16	811012	Cap Screw 1/4 x 1" Btn Hd Sckt CS P-lock	
K	6	804351	Nut Hex 1/4-20" 2-Way Locknut	
L	10	800368	Bolt Carriage 1/2" x 4-1/2" NC Pltd	
M	6	808987	Machine Screw 1/4-20 x 2" Flat Hd Sq Dr	
N	2	801217	1/2 x 4-1/2" Hex Head Bolt, Full Threaad	
O	67	815511	Wood Screw #10 x 3" Bugle Hd Sq Dr SS	
P	12	804355	Nut, Hex 1/2" - Lock	
Q	14	G034_	Do-Nut Base (No Boss) 12mm	
R	14	G036_	Do-Nut Cap 12mm	
S	10	817413	Washer 3/8" Plate Modified (PN 0445)	
T	2	G948	Bracket, Roof "L"	
U	2	G954	Bracket, Roof Trim HDG	
V	16	817408	Washer Flat 1/4" SAE SS	
W	4	M600	Column End Fitting, Alum	
X	8	805303	Rivet, Alum Drive 1/4 x 15/32	

Items listed below Hardware Complete line are included with Hardware Complete Number  
Warning: During Installation, Hardware And Small Parts Are Choking Hazards For Young Children. Store Unused Parts Appropriately Until Assembly Is Completed. Once Assembly Is Completed, Remove Any Unused Parts From The Play Environment And Dispose/Save Them In A Secure Location. Any bolt end protruding more than two full threads beyond the face of the nut causes risk of clothing entanglement.

Promptly cut-off flush, file smooth, and treat to prevent corrosion.

Unless Otherwise Specified, All Units of Measure are Each

Note: Peen Tee-Nuts and Flatwashers to match radius of pipe after assembly is complete.

Note: Loctite (supplied by others) should be used on any non-patch hardware.

#### MAINTENANCE PROCEDURE:

Periodically check hardware for tightness, and tighten as necessary. Always check all parts for breakage or wear, and immediately put equipment out of service until any faulty parts found are repaired or replaced. Also Check all metal parts for rust, paint loss and touch-up if necessary with paint. Check for welded areas and verify integrity. Check periodically resilient surfacing for appropriate depth and remove extraneous materials that could cause injury, infection, or disease.

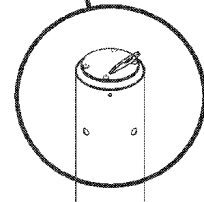
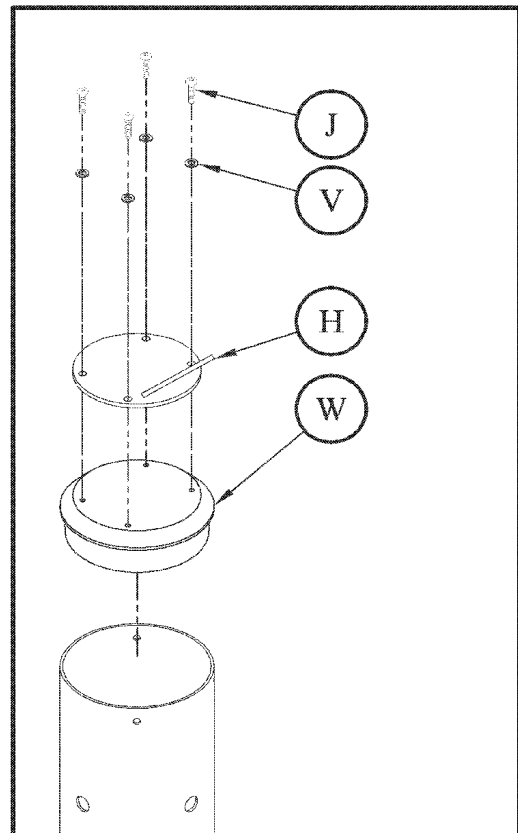
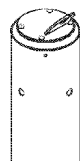
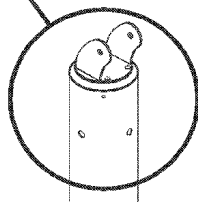
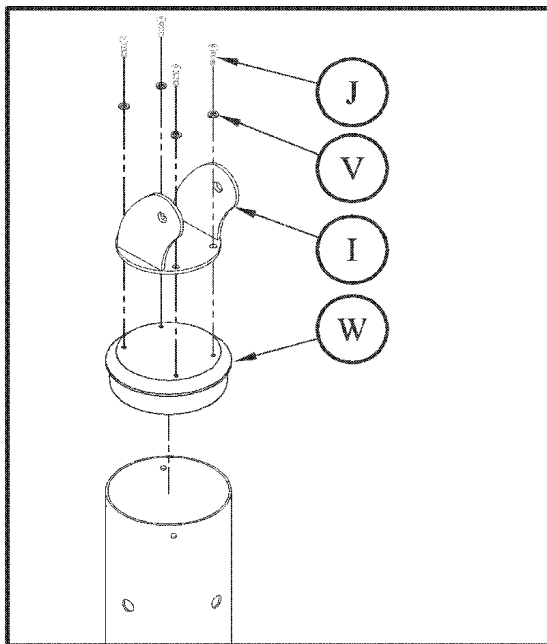
Maintain detailed installation, inspection, maintenance, and repair records for each public-use playground equipment.

When the structure is finished and satisfactory, eliminate sharp points and sharp edges (burring) on installed hardware like bolts, nuts, etc. Install resilient surfacing material within the use zone of play structure in accordance with ASTM specifications F1292 appropriate for the fall height of each structure. Refer to the safety guidelines.

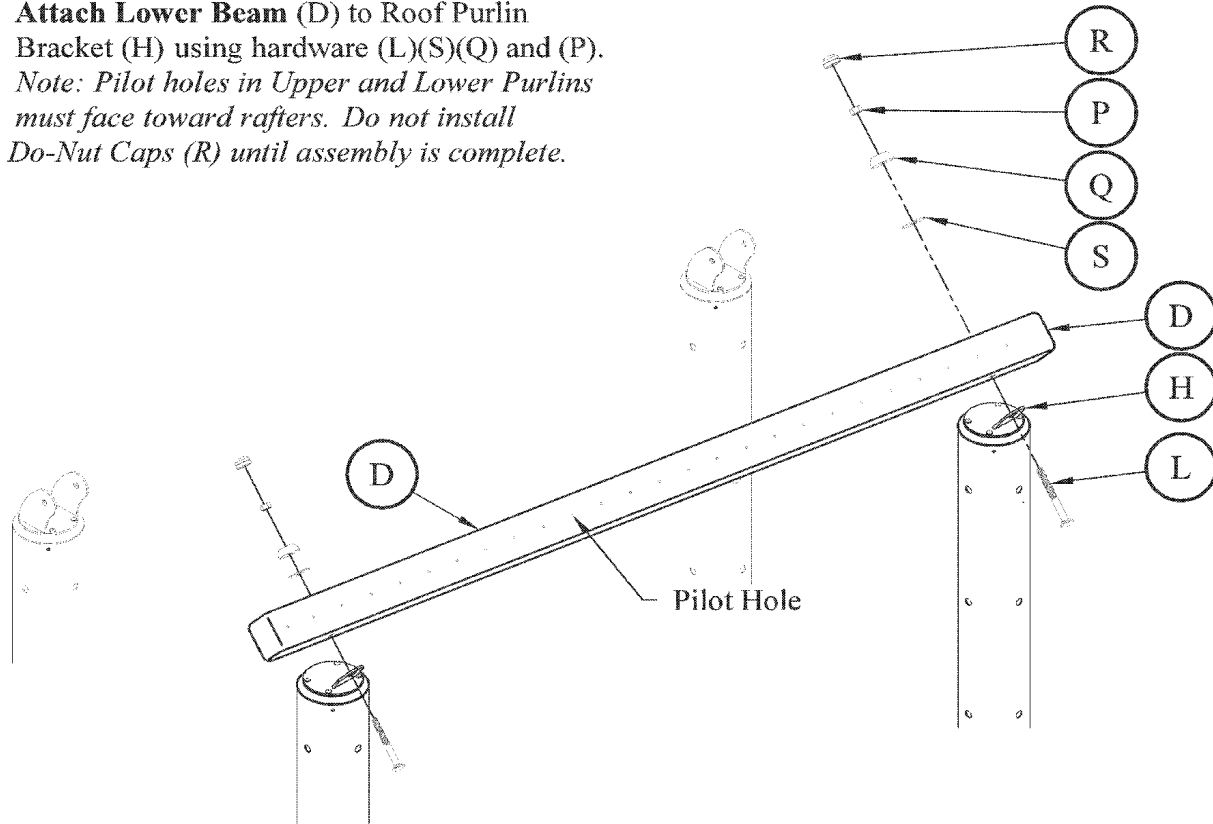
1. Refer to your structure design for location of Clubhouse Roof.
2. **Attach Roof Purlin Bracket (H) and Roof Bracket Support (I) to Column End Fitting-Bracket Mount (W) using hardware (V)(J).**
3. **Insert the Column End Fitting-Bracket Mount Assembly into column and orient as shown.**



*Do not install the rivets to secure the brackets at this time.*



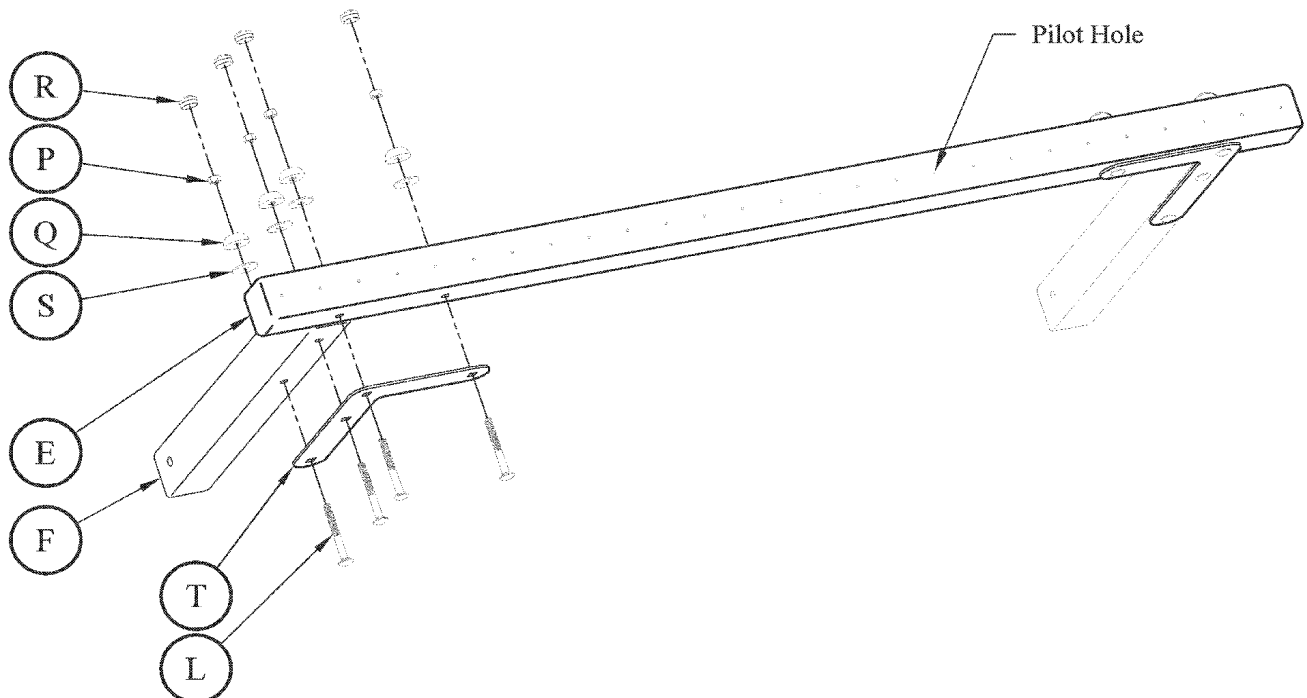
4. **Attach Lower Beam (D) to Roof Purlin Bracket (H) using hardware (L)(S)(Q) and (P).**  
*Note: Pilot holes in Upper and Lower Purlins must face toward rafters. Do not install Do-Nut Caps (R) until assembly is complete.*



5. **Assemble Upper Purlin (E) and Roof "L" Brackets (T) to Roof Supports (F) using hardware (L)(S)(Q)(P)(R).**  
*Pilot holes in Upper and Lower Purlins must face toward rafters.*

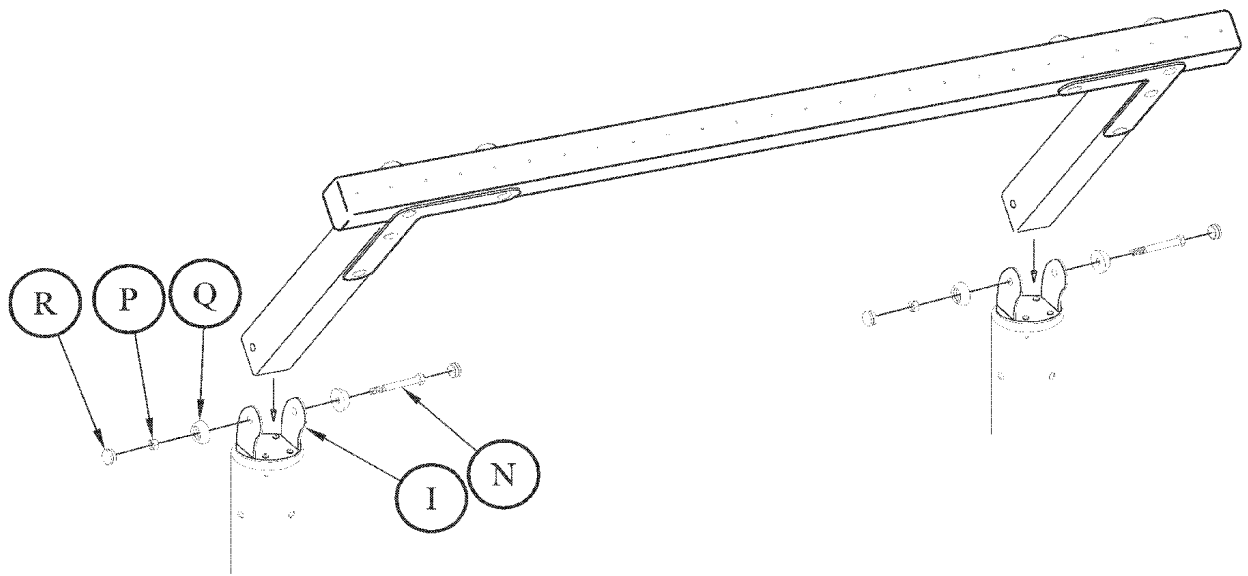
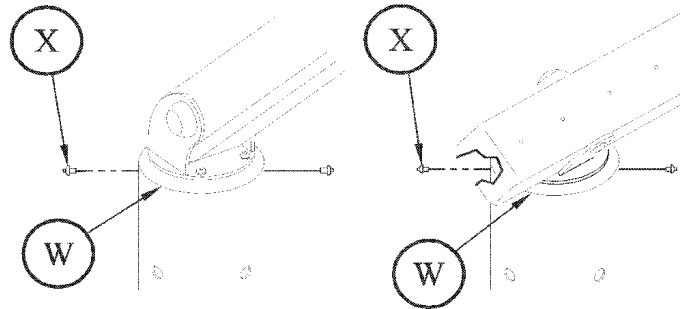


*Pilot holes in Upper and Lower Purlins must face toward rafters.*



6. **Attach Upper Purlin Assembly** to the Support Brackets (I) using hardware (Q)(N)(P). *Do not install Do-Nut Caps (R) until assembly is complete.*

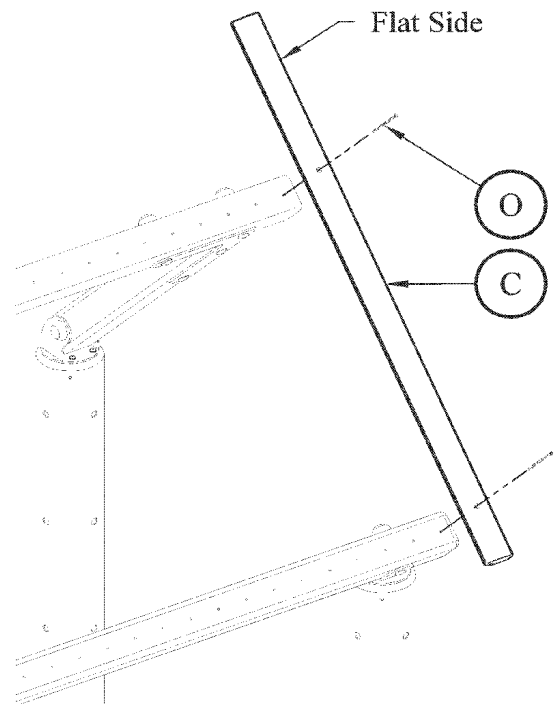
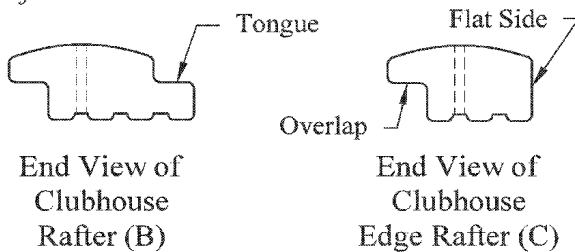
7. **Permanently attach Column End Fittings (W)** to column using Drive Rivets (X) as shown. (See "Typical Column End Fitting Installation.")



8. **Temporarily Attach Clubhouse Edge Rafter (C)** to one end of Roof Purlins with the flat side facing out by inserting two screws (O) through the rafter and into pilot holes in Upper and Lower Purlins.

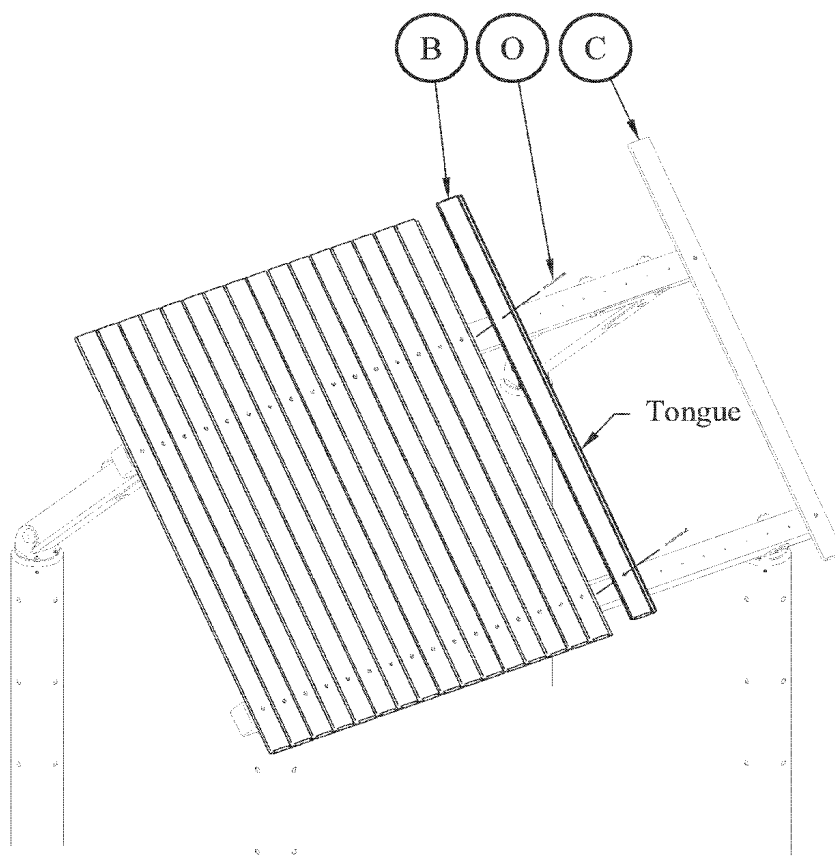


*Wood Screws (O) must line up with pilot holes in Purlins to ensure proper spacing of Rafters.*

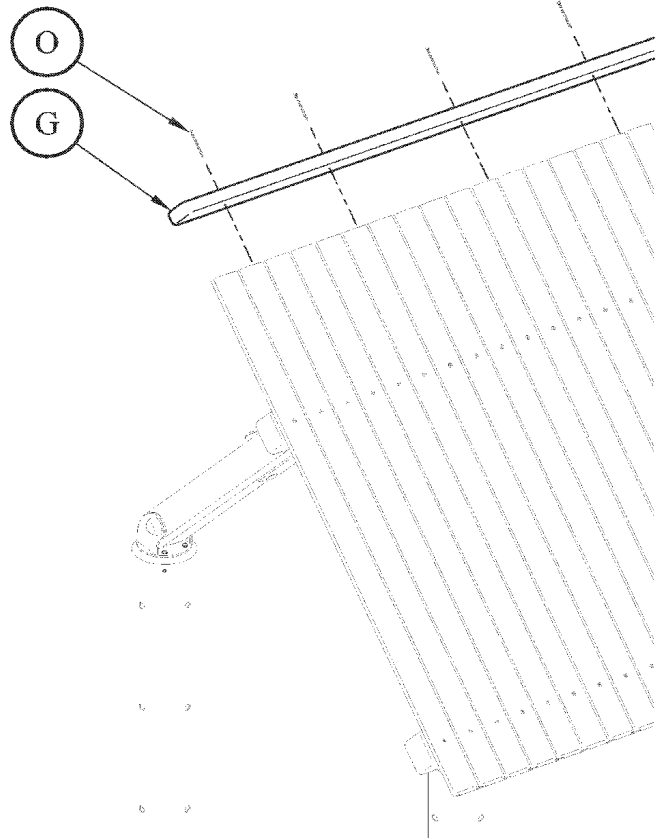


9. **Attach Clubhouse Rafters (B).** Starting on the opposite end from Clubhouse Edge Rafter installed previously, orient the first Clubhouse Rafter (B) with the tongue facing inward and attach by inserting two Screws (O) through the rafter and into pilot holes in Upper and Lower Purlins.

10. **Continue attaching Clubhouse Rafters (B)** by inserting two Screws (O) through the rafter and into pilotholes in Upper and Lower Beams, with each rafter overlapping the tongue of the previously attached rafter.



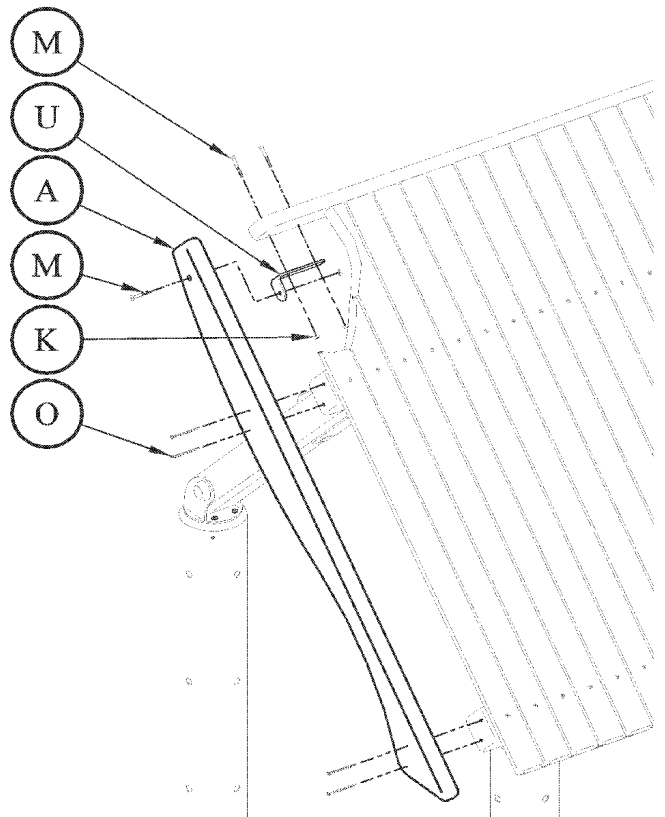
- 11. Attach Roof Trim Board (G) flush with rafters along the top edge and center horizontally using Screws (O).**



- 12. Attach Roof Trim Bracket (U) to Upper Beam using hardware (M)(K).**

- 13. Attach Fascia (A) to Roof Trim Bracket using hardware (M)(K) and to Upper and Lower Purlins using Wood Screws (O). *Top of Fascia must be parallel with top of Rafters.***

- 14. Tighten all hardware and install Do-Nut Caps (R). (See "Typical Do-Nut Installation.")**





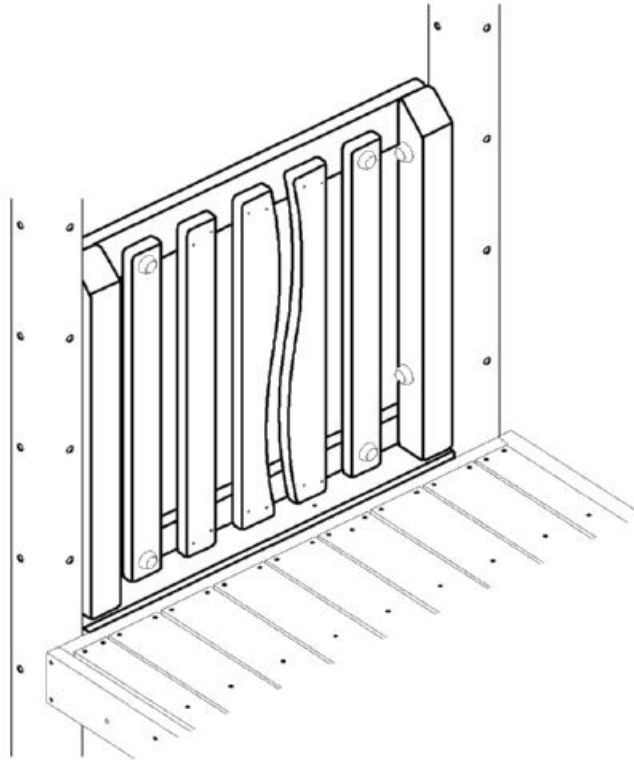
# Enclosure with Base M 37-3/4" - Metal

M05-014

Installation Instructions

**BigToys**

A PLAYCORE Company



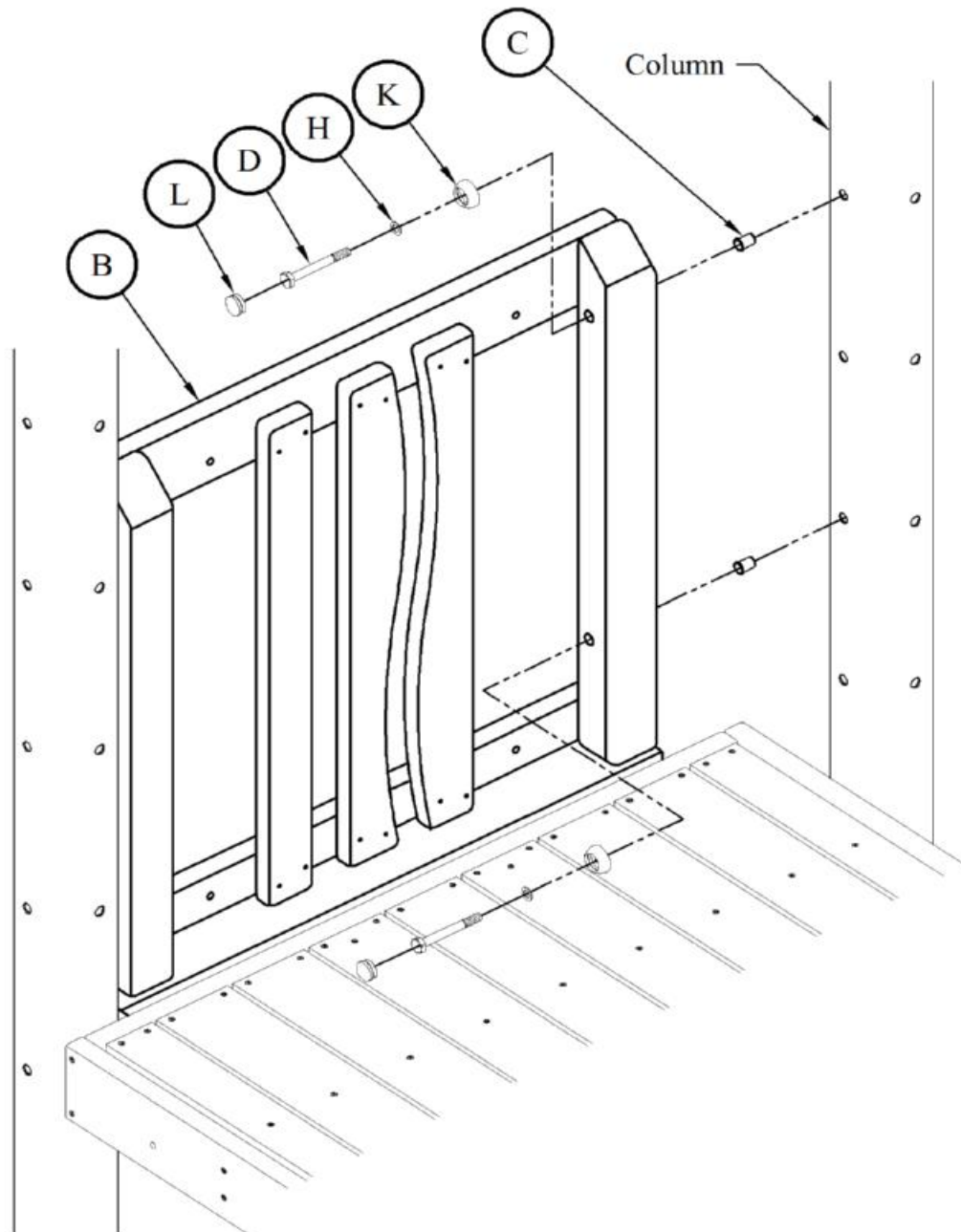
DET.	QTY.	PART#	DESCRIPTION	ICON (NOT TO SCALE)	
A	2	401766	Baluster 35-3/4"		
B	1	M725X	Enclosure with Base M 37-3/4"		
C	4	M000	Threaded Insert 1/2"		
	1	E725_	Connector Enclosure		
D	4	801467	1/2 x 4-1/2" Hex Head Bolt, Full Thread		
E	4	801526	Bolt Hex 3/8 x 3-3/4"		
F	4	804353	Nut Hex 3/8-16 2-Way Locknut NC PLTD		
G	8	817200	Lock Washer, 3/8" Int Tooth Type A PLTD		
H	4	817201	Lock Washer, 1/2" Int Tooth Type A PLTD		
I	8	G030_	Do-Nut Base (No Boss) 10mm		
J	8	G032_	Do-Nut Cap 10mm		
K	4	G034_	Do-Nut Base (No Boss) 12mm		
L	4	G036_	Do-Nut Cap 12mm		

1. Refer to your structure design for location of Medium Enclosure(s).
2. **Attach Enclosure (B)** to columns using hardware provided (C)(D)(H)(K)(L).  
(See "Typical Threaded Insert Installation.")  
(See "Typical Do-Nut Installation Instructin.")

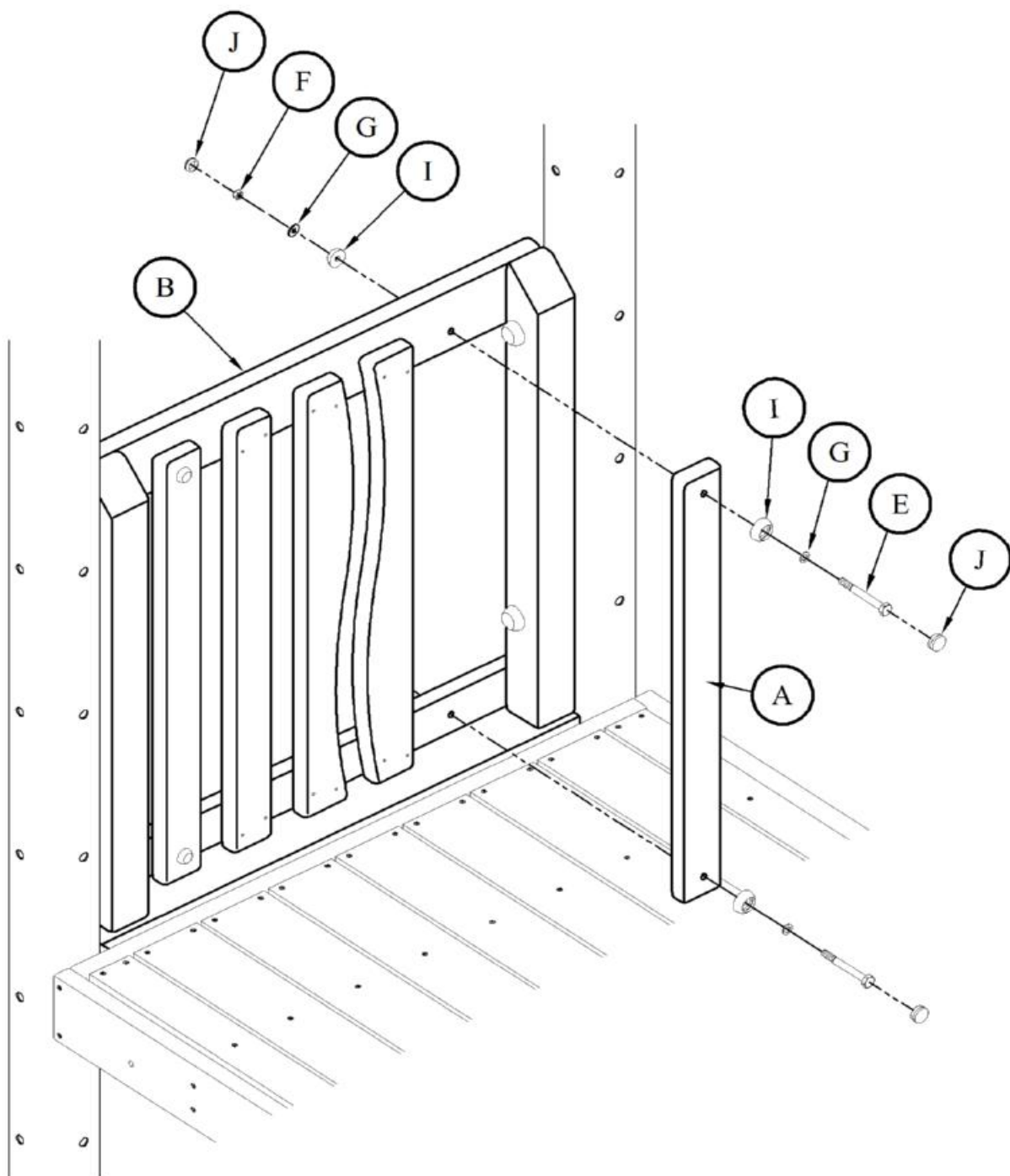
Refer to "Typical Threaded Insert Installation" in the supplemental Installation Instruction Prolog (iM1000) for installation procedures.



*Be sure Enclosure is oriented as shown.*



3. **Attach Balusters (A) to Enclosure (B) using hardware provided (E)(G)(I)(F)(J).**





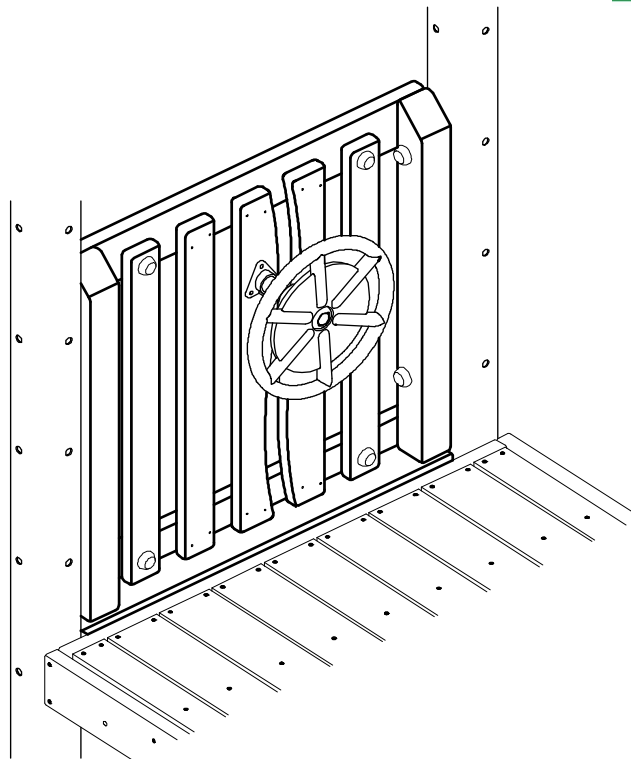
# Enclosure with Base and BigWheel - Metal




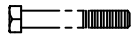





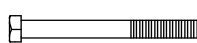








M05-015


Installation Instructions

# BigToys

A PLAYCORE Company



DE	QTY.	PART#	DESCRIPTION	ICON	(NOT TO SCALE)
A	2	401766	Baluster 35-3/4"		
B	1	G190_	BigWheel with Sound		
C	1	M727	Enclosure with Base M 37-3/4" BigWheel		
D	4	M000	Threaded Insert 1/2"		
	1	D160	Connector BigWheel		
E	3	801008	Bolt Hex 3/8-16 x 2-1/4" Grd 2 NC Pltd		
F	3	804353	Nut Hex 3/8-16 2-Way Locknut NC PLTD		
	1	E725_	Connector Enclosure		
G	4	801467	1/2 x 4-1/2" Hex Head Bolt, Full Thread		
H	4	801526	Bolt Hex 3/8 x 3-3/4"		
I	4	804353	Nut Hex 3/8-16 2-Way Locknut NC PLTD		
J	8	817200	Lock Washer, 3/8" Int Tooth Type A PLTD		
K	4	817201	Lock Washer, 1/2" Int Tooth Type A PLTD		
L	8	G030_	Do-Nut Base (No Boss) 10mm		

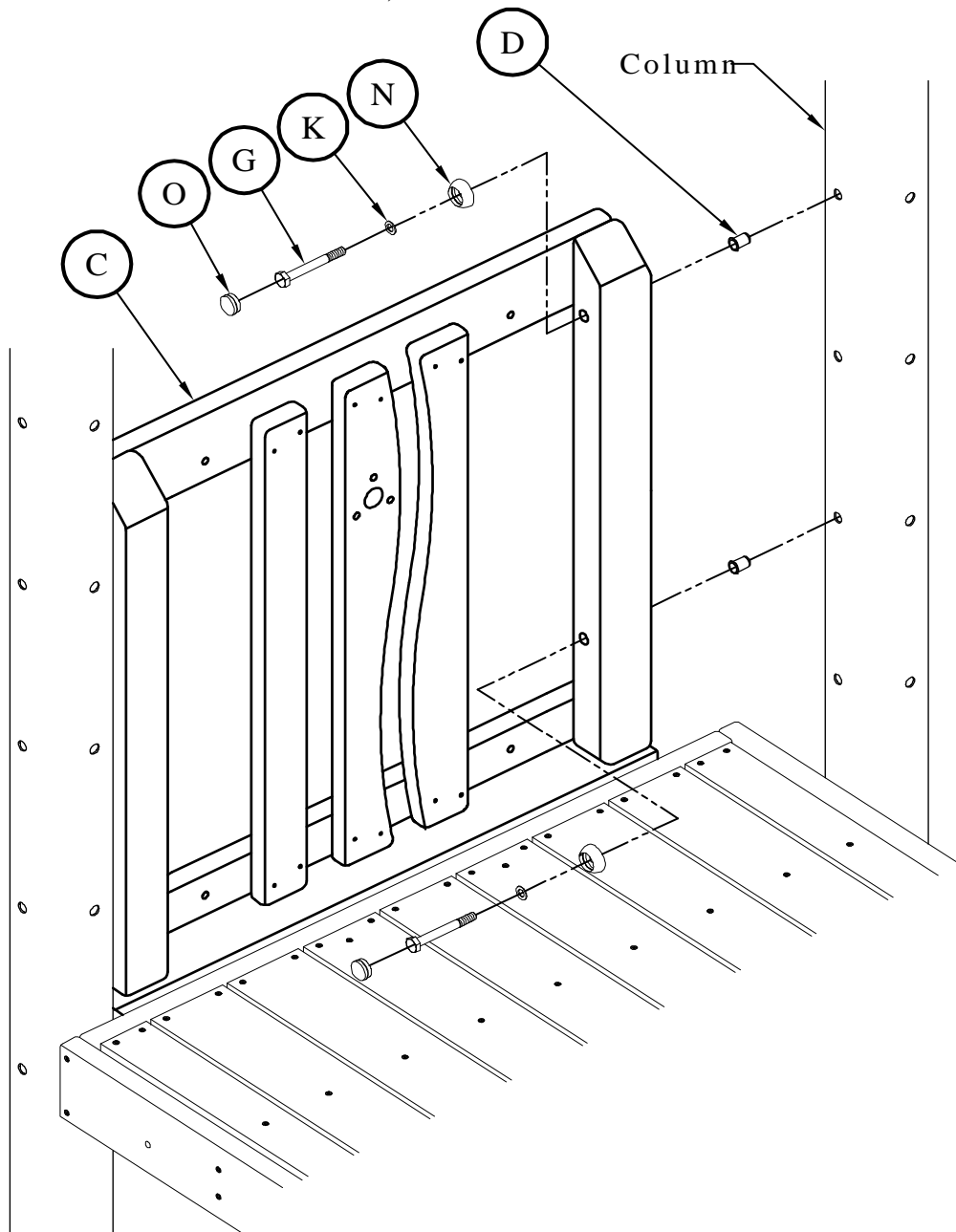
Continued 

D E	TQTY.	PART#	DESCRIPTION	ICON	(NOT TO SCALE)
M	8	G032_	Do-Nut Cap 10mm		
N	4	G034_	Do-Nut Base (No Boss) 12mm		
O	4	G036_	Do-Nut Cap 12mm		

1. Refer to your structure design for location of Medium Enclosure with Bigwheel.

2. **Attach Enclosure (C)** to columns using hardware (D)(N)(K)(G)(O).  
 (See "Typical Do-Nut Installation".)  
 (See "Typical Threaded Insert Installation".)

Refer to "Typical Threaded Insert Installation" in the supplemental Installation Instruction Prolog (iM1000) for installation procedures.



**3. Attach Balusters (A) to Enclosure (C)**  
using hardware provided (L)(J)(H)(I)(M).



**4. Attach BigWheel Mounts to Enclosure**

(C) using hardware provided (E)(F).

**5. Slide Axle through BigWheel (B) and**

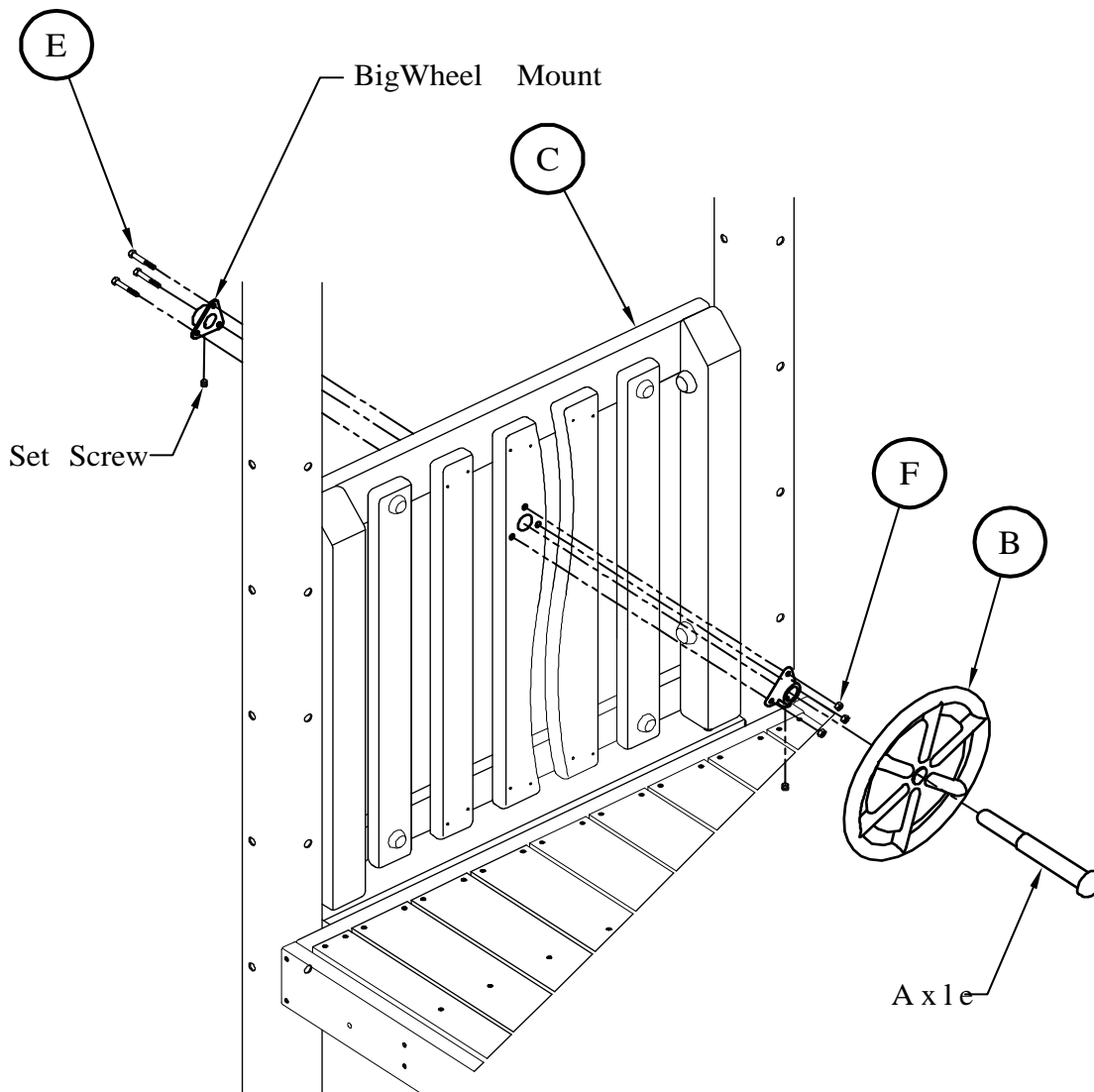
into BigWheel Mount. Position Axle so BigWheel spins freely and tighten set screws on mounts.

BigWheel (B) consists of:

1 each Wheel

2 each BigWheel Mounts w/set screws

1 each Axle





A PLAYCORE Company

M06-001, M55-001 Flat Panel- Metal  
M06-002, M55-002 Wave Panel- Metal  
06-001, 55-001 Flat Panel- Wood  
06-002, 55-002 Wave Panel- Wood

Parts List									
DESCRIPTION	M06-001	M55-001	M06-002	M55-002	06-001	55-001	06-002	55-002	PART NUMBER
FLAT PANEL	1	1	0	0	1	1	0	0	401104
WAVE PANEL	0	0	1	1	0	0	1	1	401099
---HARDWARE COMPLETE---	1	1	1	1	0	0	0	0	E105
---HARDWARE COMPLETE---	0	0	0	0	1	1	1	1	D105
BOLT, 1/2" X 3"	1	1	1	1	0	0	0	0	800806
BOLT, 1/2" X 4"	0	0	0	0	1	1	1	1	800809
2 1/2" FLAT WASHER 2" O.D.	4	4	4	4	4	4	4	4	817413
DO-NUT BASE 12MM	4	4	4	4	4	4	4	4	G034
DO-NUT CAP 12MM	4	4	4	4	4	4	4	4	G036
1/2" THREADED INSERT	4	4	4	4	0	0	0	0	M000
EAGLE FASTENER	0	0	0	0	4	4	4	4	G000
---HARDWARE COMPLETE---	1	1	1	1	1	1	1	1	402960
LANYARD	1	1	1	1	1	1	1	1	178488
POP RIVET	2	2	2	2	2	2	2	2	178487
WOOD SCREW #14 X 1"	1	1	1	1	1	1	1	1	810066

Unless Otherwise Specified, All Units of Measure are Each

Items listed below Hardware Complete line are included with Hardware Complete Number

**Warning: During Installation, Hardware And Small Parts Are Choking Hazards For Young Children. Store Unused Parts Appropriately Until Assembly Is Completed. Once Assembly Is Completed, Remove Any Unused Parts From The Play Environment And Dispose/Save Them In A Secure Location. Any bolt end protruding more than two full threads beyond the face of the nut causes risk of clothing entanglement.**

Promptly cut-off flush, file smooth, and treat to prevent corrosion.

Note: Peen Tee-Nuts and Flatwashers to match radius of pipe after assembly is complete.

Note: Loctite (supplied by others) should be used on any non-patch hardware.

**INSTALLATION INSTRUCTIONS:**

1. Refer to your structure layout design for the location of the Panel.
2. Install 1/2" Threaded Inserts or Eagle Fasteners in columns at proper locations.  
(Refer to Installation Prolog for typical Threaded Insert and Eagle Fastener Installation.)
3. Attach Panel to column using 2 1/2" Flat Washer, Do-Nut Base 12mm, 1/2" x 3" Hex Head Bolt on metal or 1/2" x 4" Hex Head Bolt for wood, and Do-Nut Cap 12mm. See Detail 157.

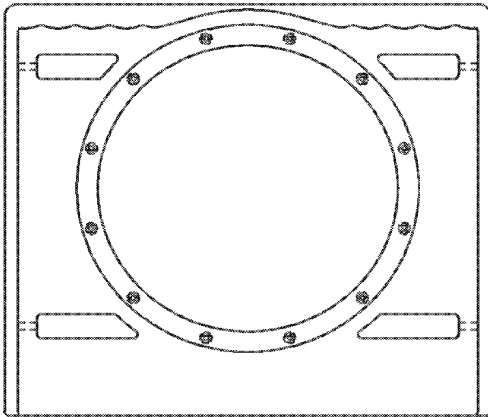
**NOTE** In Canada and other areas complying with CSA Z614 Standard:  
If your panel is located next to a Slidepole or Slide you must install the **CSA Panel Lanyard** to prevent entanglement.

1. Locate Plastic Panel to receive Lanyard.
2. Drill 3/16" holes in Plastic Panel and Metal Column at proper locations.
3. Install Pop Rivet on Panel and on Metal Column, or 1" Wood Screw in Wood Column, through eye loops of Lanyard.
4. Lanyard should be level or above horizontal plane of the top of Plastic Panel. See Details on page 3.

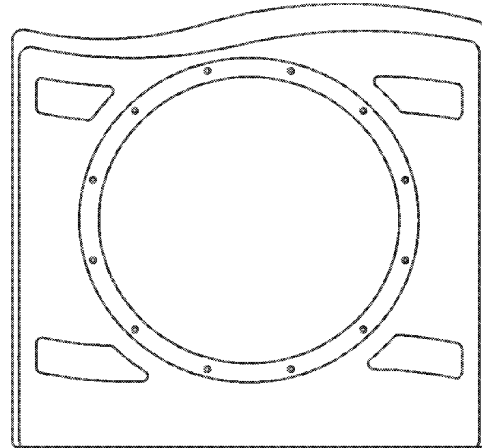


A PLAYCORE Company

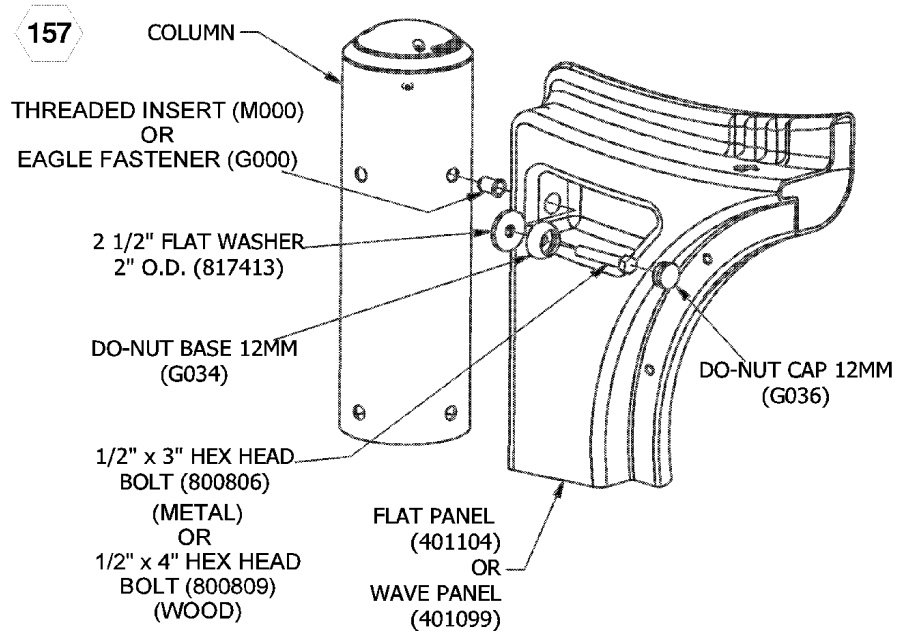
**M06-001, M55-001 Flat Panel- Metal**  
**M06-002, M55-002 Wave Panel- Metal**  
**06-001, 55-001 Flat Panel- Wood**  
**06-002, 55-002 Wave Panel- Wood**



FLAT PANEL (401104)

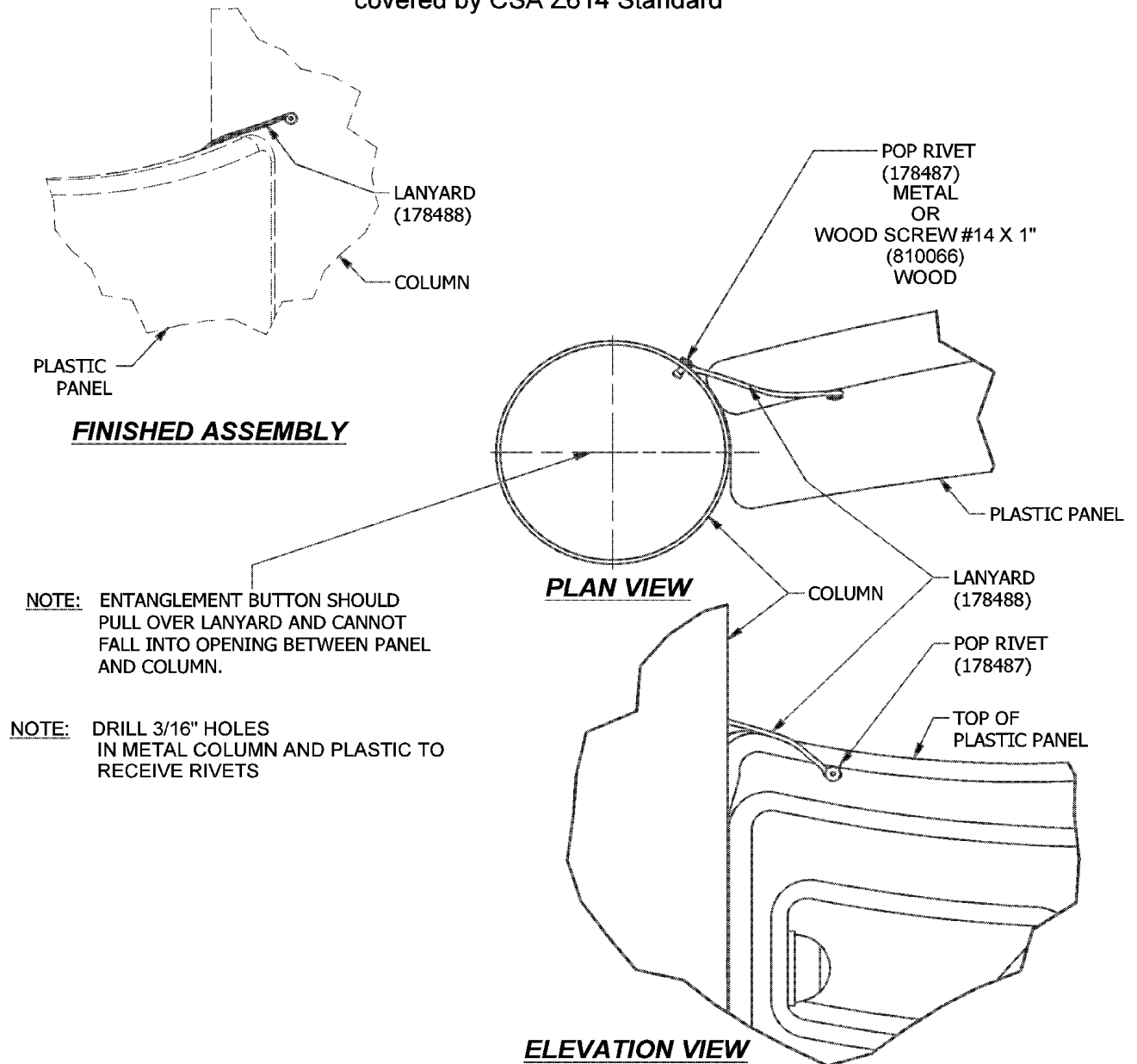


WAVE PANEL (401099)



**M06-001, M55-001 Flat Panel- Metal**  
**M06-002, M55-002 Wave Panel- Metal**  
**06-001, 55-001 Flat Panel- Wood**  
**06-002, 55-002 Wave Panel- Wood**

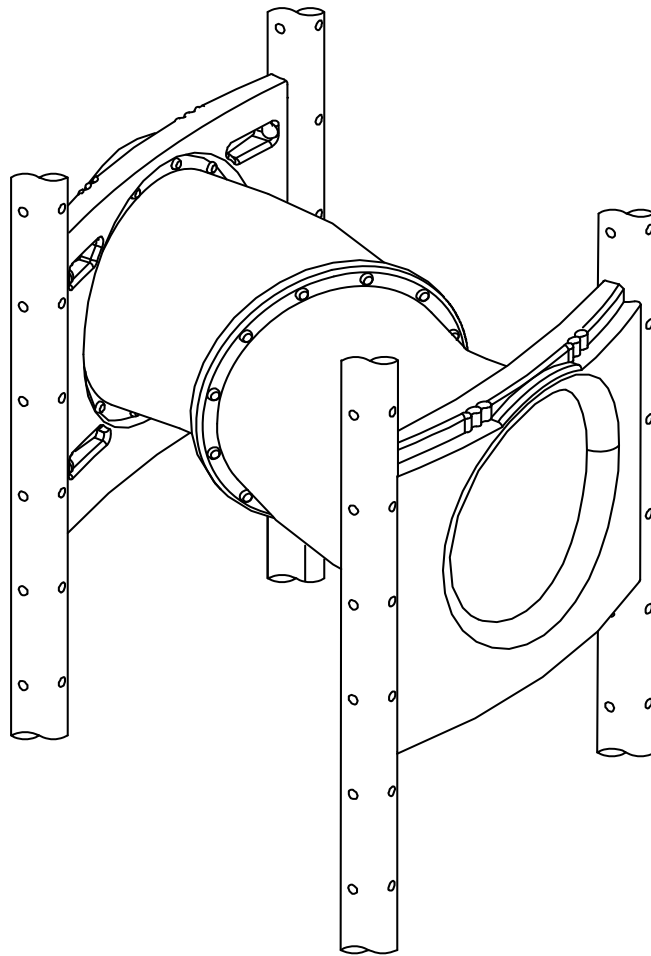
Optional Lanyard Instructions required in areas covered by CSA Z614 Standard

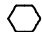





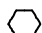













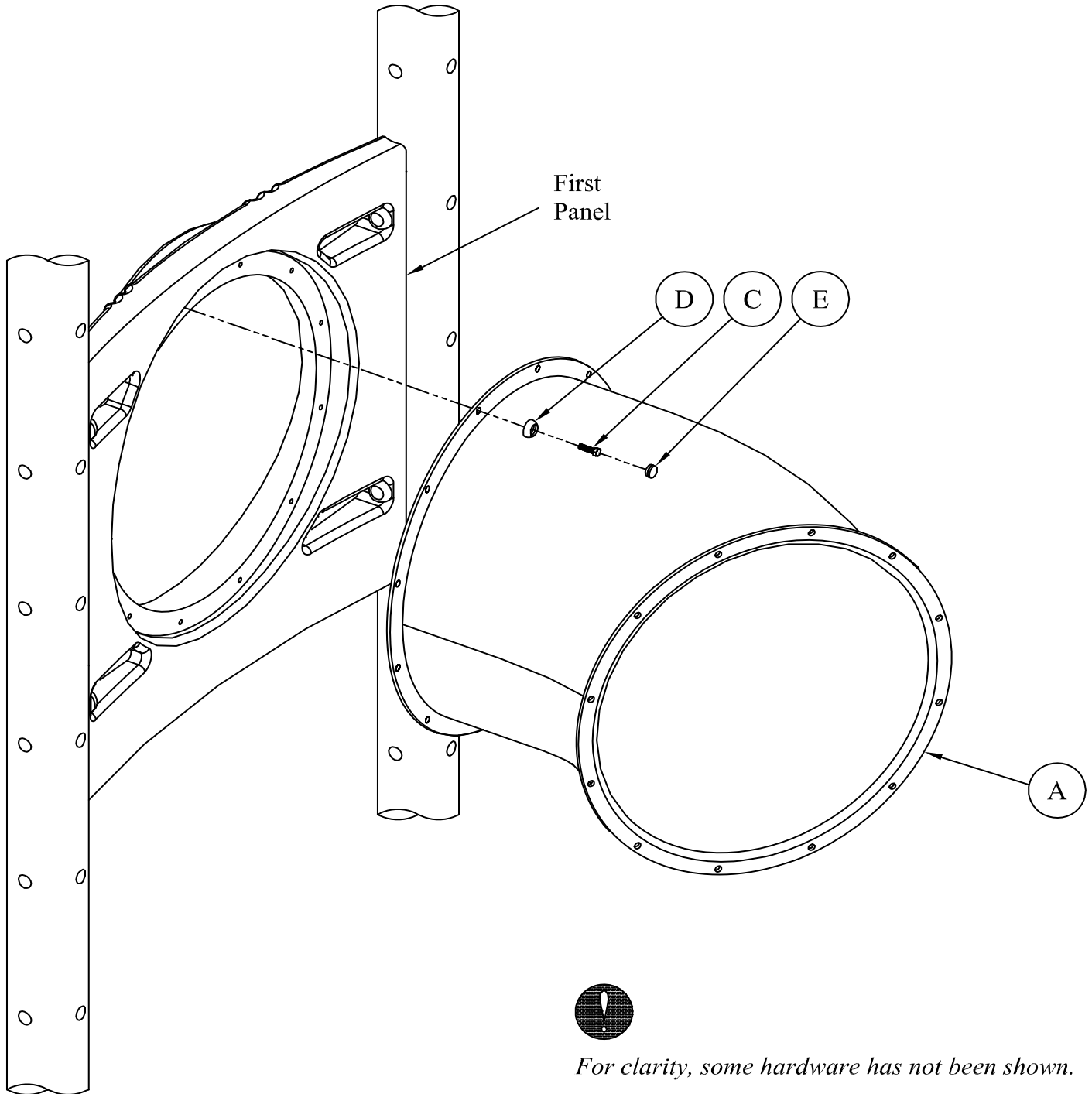
# BigTube Tunnel "S"

06-011, 55-011  
Installation Instructions

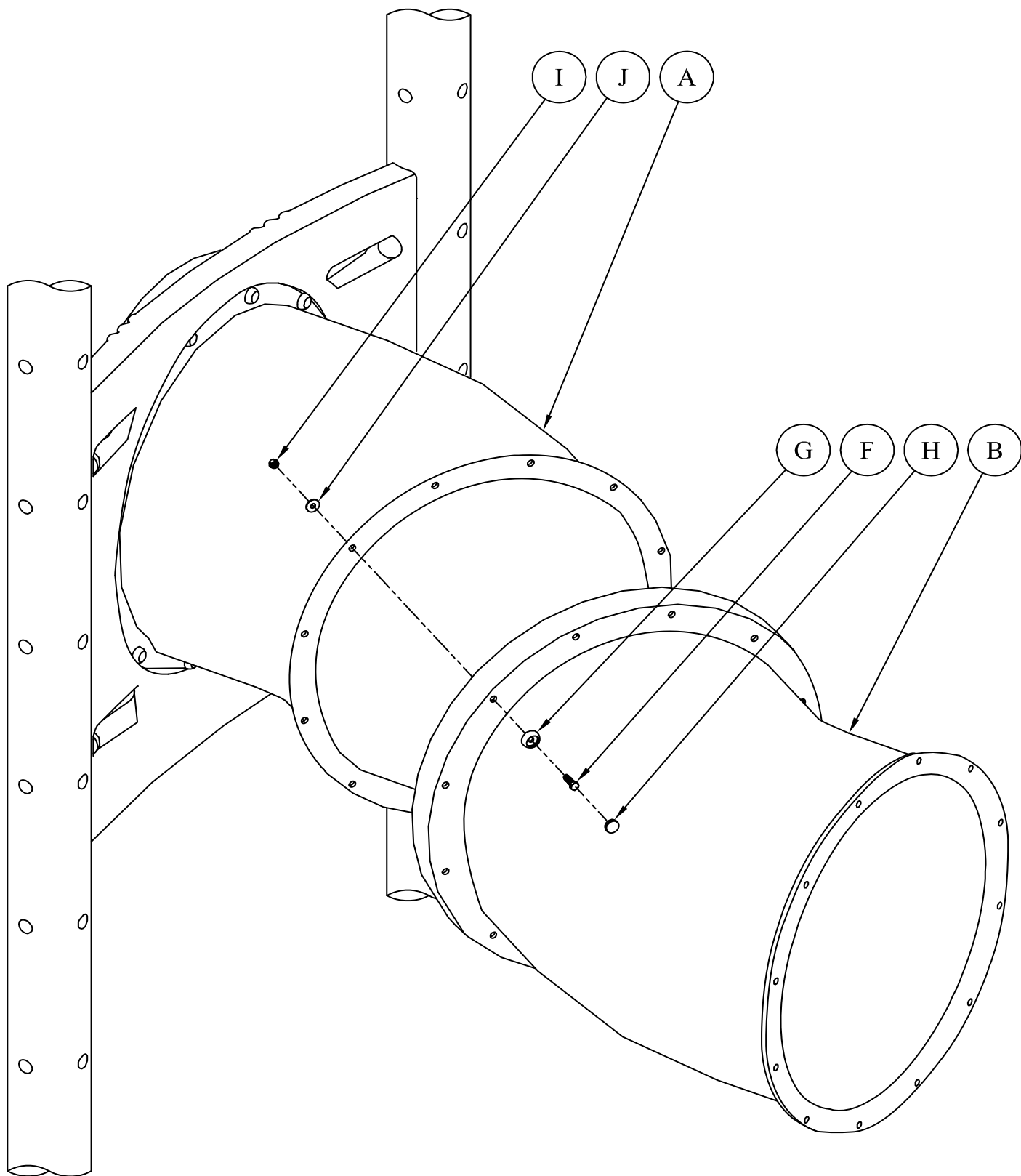


DET.	QTY.	PART#	DESCRIPTION	ICON (NOT TO SCALE)
A	1	401109	BigTube 30D Elbow w/o Overlap	
B	1	401544	BigTube 30D Elbow	
	2	D100_	Connector BigTube-Panel	
C	12	801004	Bolt Hex 3/8 x 1-1/4" Grd 2 NC Pltd P-Loc	 
D	12	G030	Do-Nut Base (No Boss) 10mm	 
E	12	G032	Do-Nut Cap 10mm	 
	1	D120_	Connector BigTube Flange	
F	12	801003	Bolt Hex 3/8-16 x 1" Grd 2 NC Pltd	 
G	12	G030	Do-Nut Base (No Boss) 10mm	 
H	12	G032	Do-Nut Cap 10mm	 
I	12	804353	Nut Hex 3/8-16 2-Way Locknut NC PLTD	 
J	12	817401	Washer 3/8" USS SS	 

1. Refer to your structure design for location of BigTube Tunnel.
2. **Attach the first panel.**  
(See "Instruction for "Flat or Wave Panel.")
3. **Attach BigTube Elbow (A)** to panel using hardware provided (D)(C)(E).  
(See "Typical Do-Nut Installation.")



4. **Attach BigTube Elbow (B) to the BigTube Elbow (A) using hardware (G)(F)(J)(I)(H).**  
(See "Typical Do-Nut Installation.")

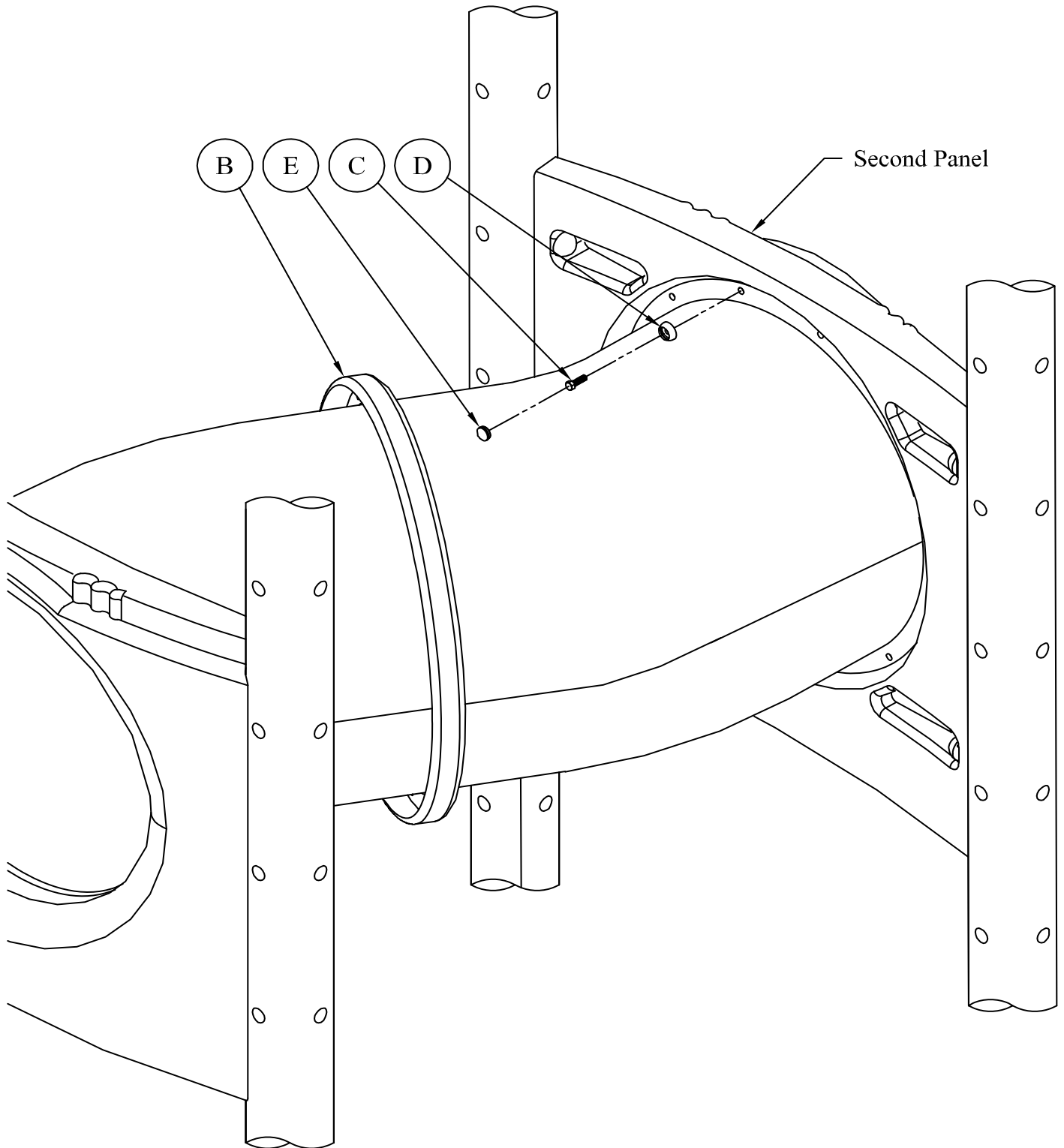


5. **Attach second panel.**

(See "Instruction for "Flat or Wave Panel.")

6. **Attach BigTube Elbow (B) to the second panel using hardware (D)(C)(E).**

(See "Typical Do-Nut Installation.")



## M07054 Trio Slide - Metal 07054 Trio Slide - Wood

Parts List			
DESCRIPTION	M07054	07054	PART NUMBER
FOOTBUCK	3	3	176385
TRIPLE SLIDE	1	1	311532
SITDOWN BAR	1	1	402617
COATED DECK	1	1	402838
CENTER PIPE	2	2	402846
LEFT OUTSIDE PIPE ASS'Y	1	1	404779
RIGHT OUTSIDE PIPE ASS'Y	1	1	404781
---HARDWARE COMPLETE---	1	0	402847
---HARDWARE COMPLETE---	0	1	402848
EAGLE FASTENER	0	6	G000
12MM DO-NUT BASE	4	4	G034
12MM DO-NUT CAP	4	4	G036
1/2" THREADED INSERT	6	0	M000
3/8" x 3/4" P.B.H.C.S. w/PATCH	6	6	812052
3/8" x 1 1/4" P.B.H.C.S. w/PATCH	10	10	812051
3/8" x 1 3/4" P.B.H.C.S. w/PATCH	4	4	812054
3/8" x 3" P.B.H.C.S. w/PATCH	4	4	812059
3/8" LOCKWASHER	10	10	817334
3/8" FLAT WASHER (1" O.D.)	2	2	817401
3/8" FLAT WASHER	14	14	817410
3/8" FLAT WASHER (1 1/4" O.D.)	4	4	817424
3/8" T-NUT	8	4	804556
1/2" x 2 1/2" HEX HEAD BOLT	4	4	801225
1/2" x 2 1/2" B.H.C.S.	2	2	811065
1/2" INTERNAL TOOTH LOCK WASHER	4	4	817201
1/2" FLATWASHER (7/8" O.D.)	2	2	817465

*Unless Otherwise Specified, All Units of Measure are Each*

*Items listed below Hardware Complete line are included with Hardware Complete Number*

**Warning: During Installation, Hardware And Small Parts Are Choking Hazards For Young Children. Store Unused Parts Appropriately Until Assembly Is Completed. Once Assembly Is Completed, Remove Any Unused Parts From The Play Environment And Dispose/Save Them In A Secure Location. Any bolt end protruding more than two full threads beyond the face of the nut causes risk of clothing entanglement.**

**Promptly cut-off flush, file smooth, and treat to prevent corrosion.**

**Note: Peen Tee-Nuts and Flatwashers to match radius of pipe after assembly is complete.**

**Note: Loctite (supplied by others) should be used on any non-patch hardware.**

## M07054 Trio Slide - Metal 07054 Trio Slide - Wood

### **INSTALLATION INSTRUCTIONS:**

1. Dig footings at locations shown in plan view.
2. Install 1/2" Threaded Inserts or Eagle Fasteners in columns at proper locations.  
(Refer to Installation Prolog for typical Threaded Insert and Eagle Fastener Installation.)
3. Attach Triple Slide Deck to column using 1/2" Threaded Insert, 1/2" Flatwasher, and 1/2" x 2 1/2" B.H.C.S. If using wood version, use Eagle Fastener, 1/2" Flatwasher, and 1/2" x 2 1/2" B.H.C.S. See Detail 142.
4. Attach Triple Slide Deck to Platform using 3/8" x 3" P.B.H.C.S., 3/8" Flat Washer, and 3/8" T-Nut. See Detail 144.
5. Attach Footbucks to Slide using 3/8" Flat Washer, 3/8" Lock Washer, and 3/8" x 3/4" P.B.H.C.S. See Detail 195.
6. Attach Triple Slide to Triple Slide Deck using 3/8" x 1 1/4" P.B.H.C.S. and 3/8" Flat Washer (1 1/4" O.D.). See Detail 136.
7. Attach Sitdown Bar to columns using 1/2" Threaded Insert, 12mm Do-Nut Base, 1/2" Lock Washer, 1/2" x 2 1/2" Hex Bolt, and 12mm Do-Nut Cap. See Detail 139.
8. Attach Outside and Center Pipes to Sitdown Bar using 3/8" T-Nut, 3/8" Lock Washer, and 3/8" x 1 1/4" P.B.H.C.S. See Detail 140.
9. Attach Outside and Center Pipes to Triple Slide using 3/8" x 1 3/4" P.B.H.C.S. and 3/8" Flat Washer. See Detail 141.
10. Attach Outside Pipes to Triple Slide Deck using 3/8" x 1 1/4" P.B.H.C.S. w/Patch and 3/8" Flat Washer (1" O.D.). See Detail 155.
11. Plumb and level the entire assembly and tighten all fasteners.
12. After entire unit is assembled pour concrete footings within 4" to the top and taper away from post for water drainage. Allow to cure at least 48 hours before use. Temporary bracing may be required until concrete cures.
13. When the structure is finished and satisfactory, eliminate sharp points and sharp edges (burring) on installed hardware like bolts, nuts, etc. Install resilient surfacing material within the use zone of play structure in accordance with ASTM specifications F1292 appropriate for the fall height of each structure. Refer to the safety guidelines.

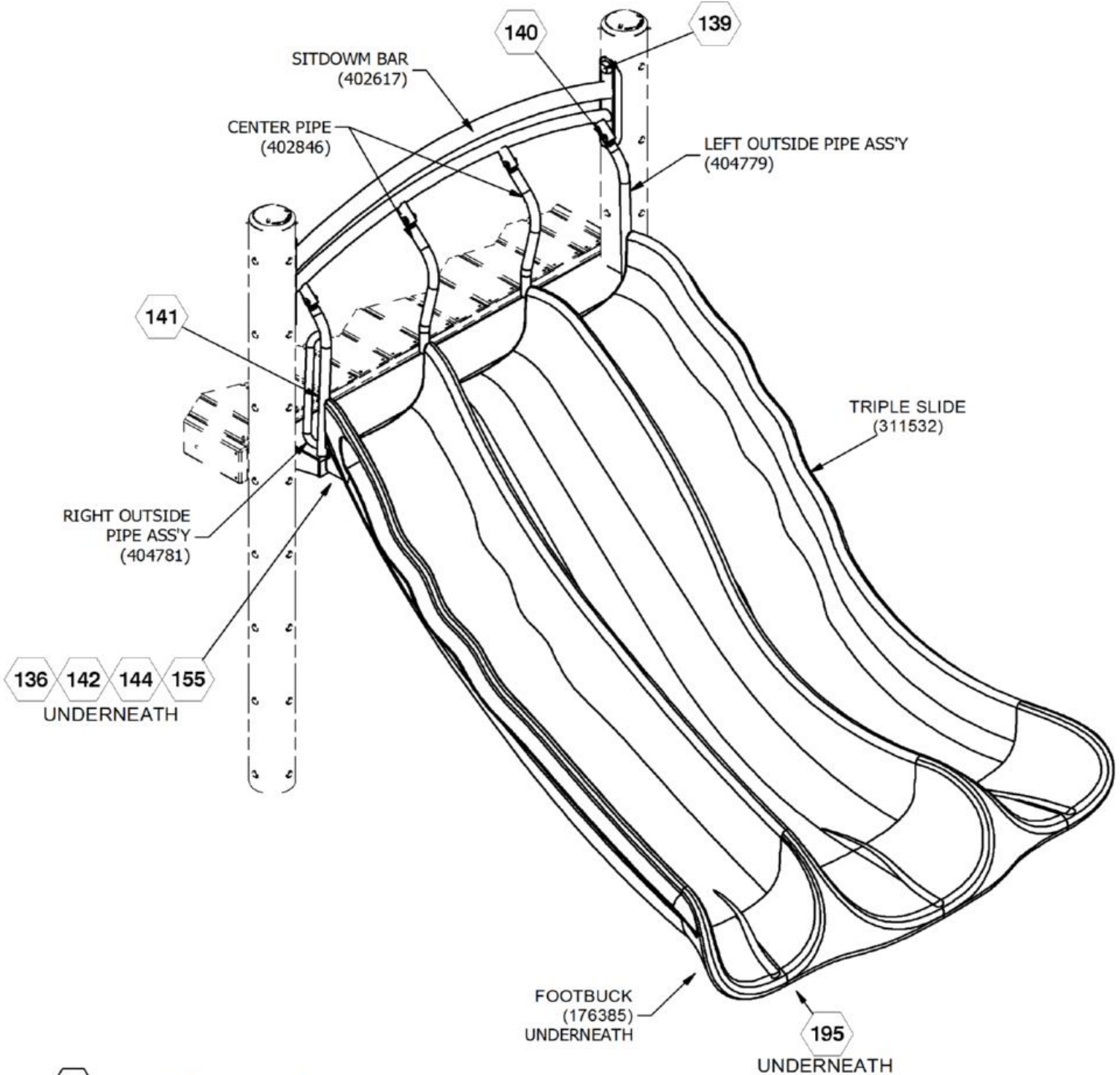
### **MAINTENANCE PROCEDURE:**

Periodically check hardware for tightness, and tighten as necessary. Always check all parts for breakage or wear, and immediately put equipment out of service until any faulty parts found are repaired or replaced. Also Check all metal parts for rust, paint loss and touch-up if necessary with paint. Check for welded areas and verify integrity. Check periodically resilient surfacing for appropriate depth and remove extraneous materials that could cause injury, infection, or disease. Maintain detailed installation, inspection, maintenance, and repair records for each public-use playground equipment.

# BigToys®

A PLAYCORE Company

## M07054 Trio Slide - Metal 07054 Trio Slide - Wood



 = INSTALLATION DETAIL

Issued/Revised: 09/19/14

**FINISHED ASSEMBLY**

# BigToys®

A PLAYCORE Company

ITEMS SHOWN IN HIDDEN LINES  
ARE SOLD SEPARATELY

SHEET 3 OF 6

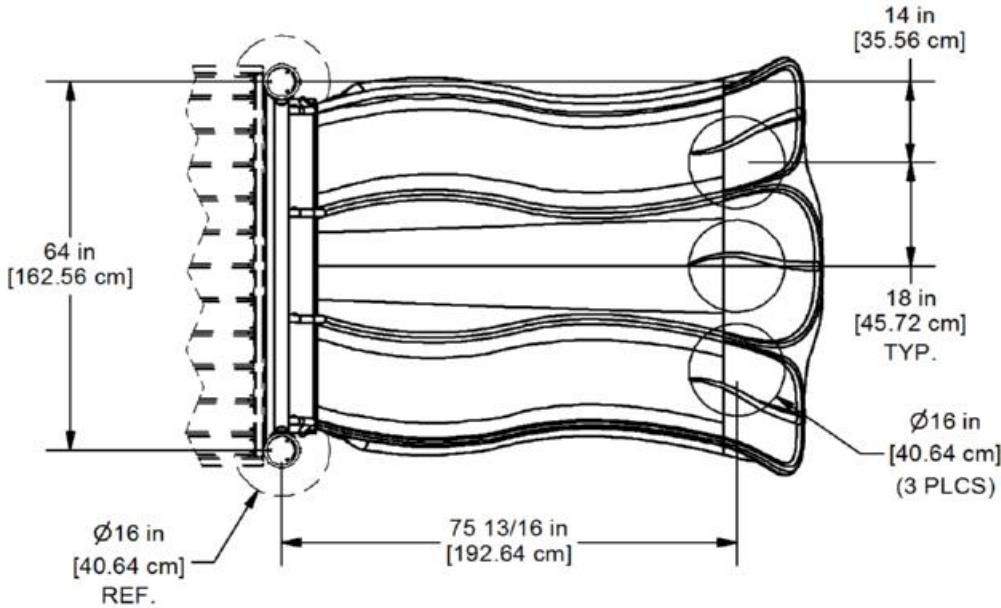
1-866-814-8697

[bigtoys.com](http://bigtoys.com)

# BigToys®

A PLAYCORE Company

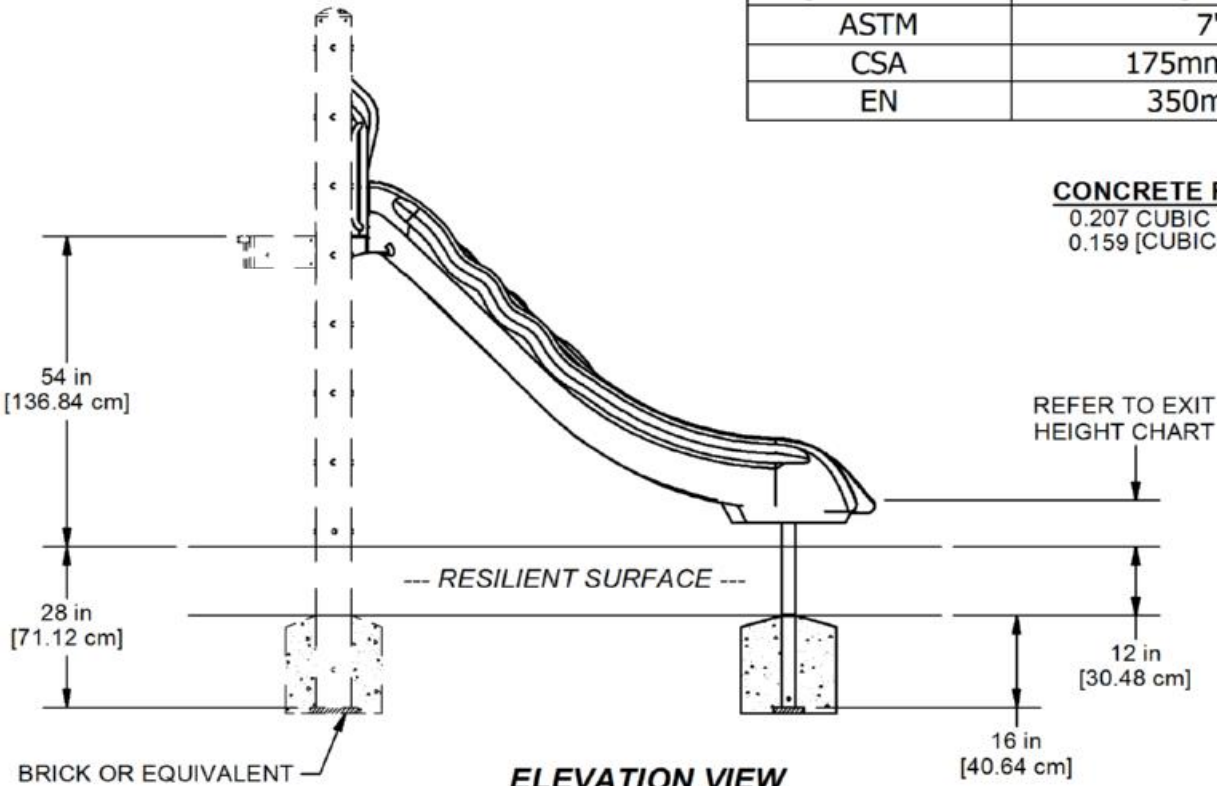
## M07054 Trio Slide - Metal 07054 Trio Slide - Wood



**PLAN VIEW**

EXIT HEIGHT CHART -for- M07054	
STANDARD	EXIT HEIGHT from SURFACING
ASTM	7" TO 15"
CSA	175mm TO 380mm
EN	350mm OR LESS

**CONCRETE REQUIRED**  
0.207 CUBIC YARDS  
0.159 [CUBIC METERS]



**ELEVATION VIEW**

Issued/Revised: 09/19/14

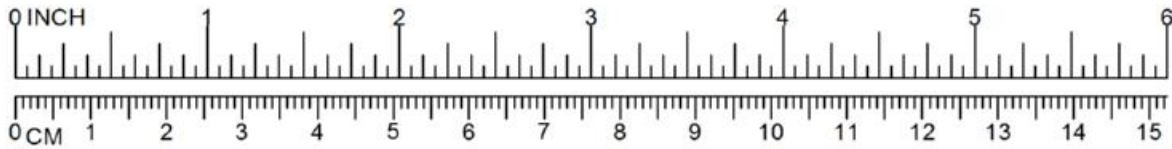
# BigToys®

A PLAYCORE Company

SHEET 4 OF 6

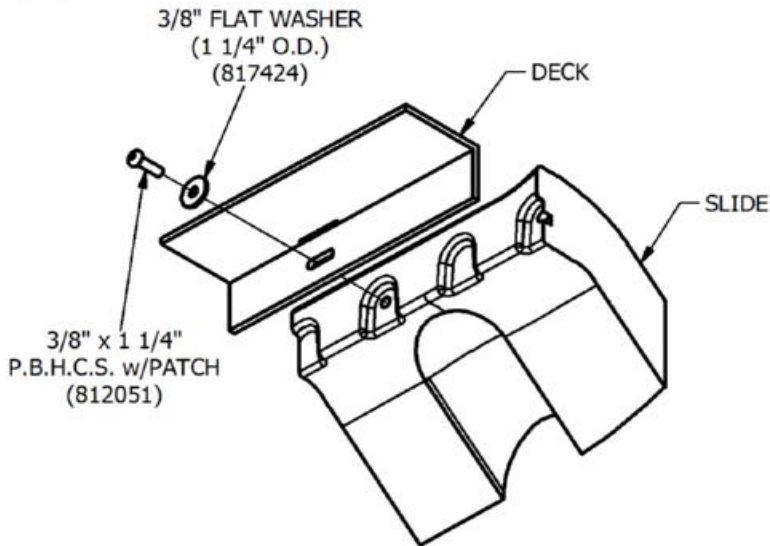
1-866-814-8697

bigtoys.com

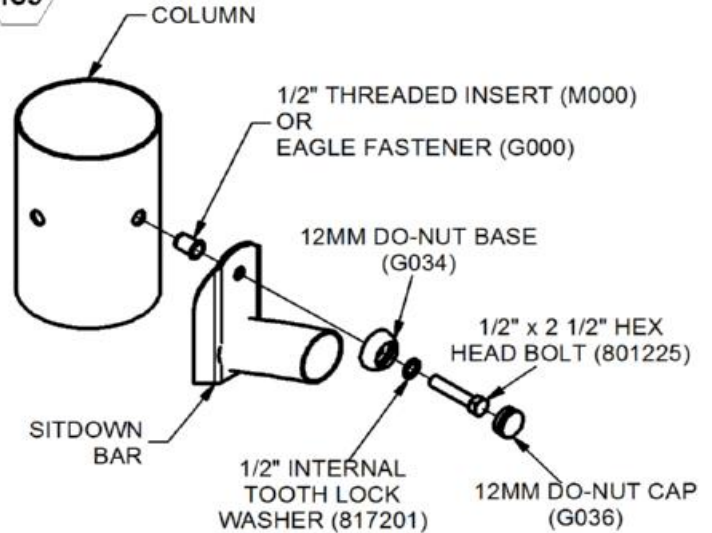


## M07054 Trio Slide - Metal 07054 Trio Slide - Wood

136

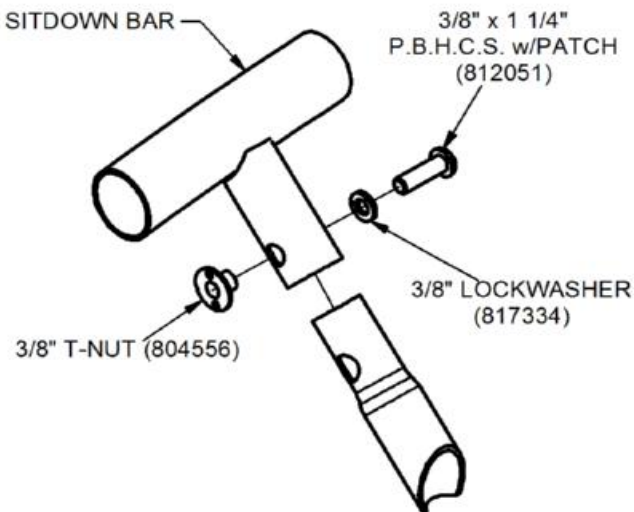


139

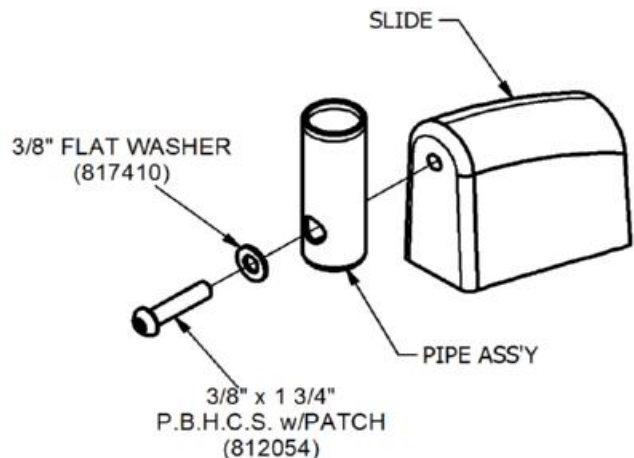


NOTE: REFER TO THE INSTALLATION PROLOG  
FOR TYPICAL THREADED INSERT AND  
EAGLE FASTENER INSTALLATION.

140



141



NOTE: FORM T-NUT TO CURVE OF PIPE AFTER TIGHTENING

Issued/Revised: 09/19/14

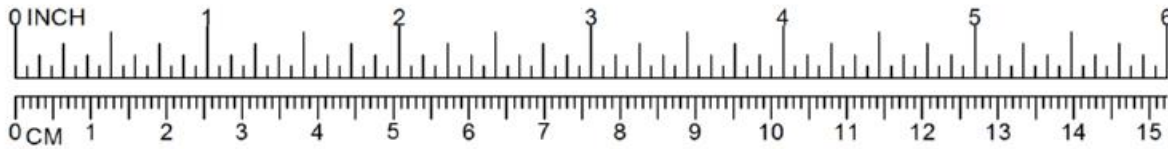
# BigToys®

A PLAYCORE Company

SHEET 5 OF 6

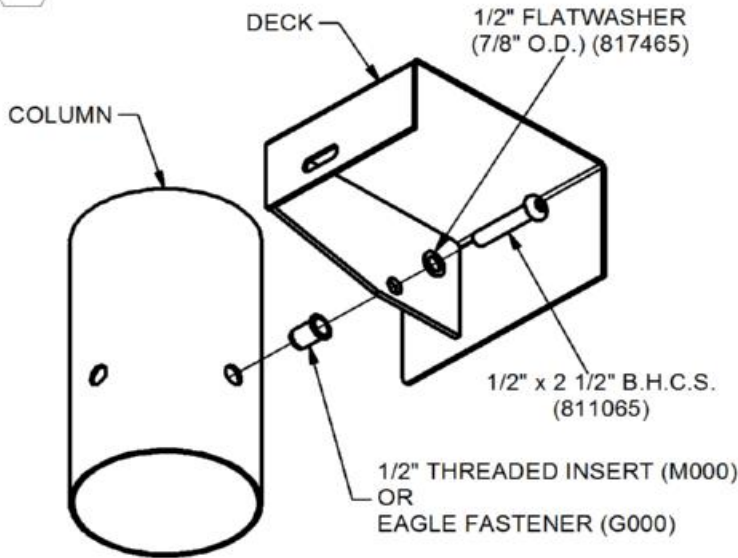
1-866-814-8697

bigtoys.com

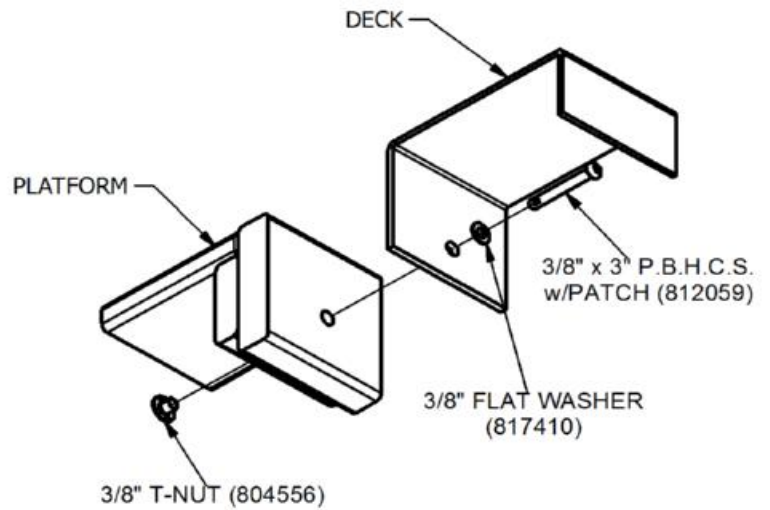


## M07054 Trio Slide - Metal 07054 Trio Slide - Wood

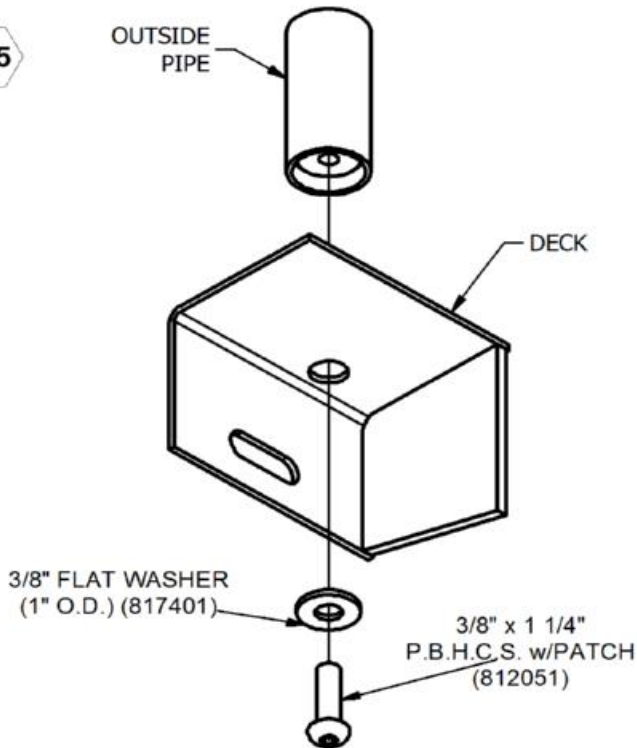
142



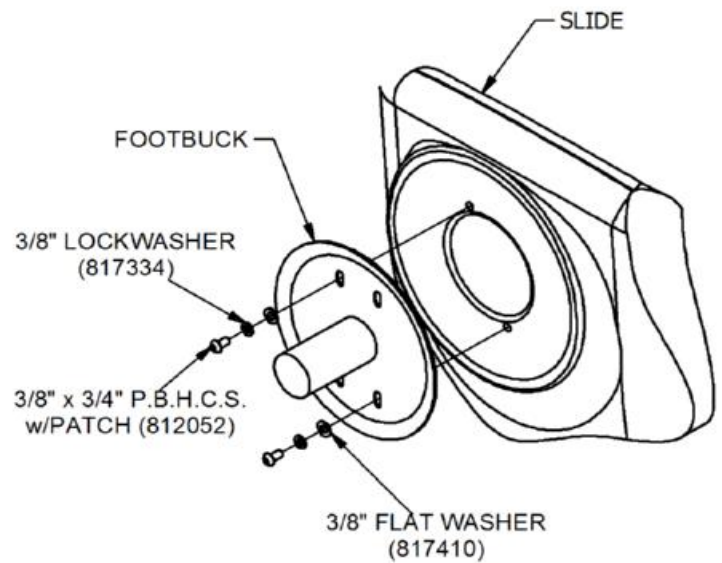
144



155



195



*M08-015 Firefighter Climb 11 Rung - Recycled  
 08-015 Firefighter Climb 11 Rung - Wood  
 M08-016 Firefighter Climb 13 Rung - Recycled  
 08-016 Firefighter Climb 13 Rung - Wood*

Parts List					
DESCRIPTION	M08015 (Recycled)	M08016 (Recycled)	08015 (Wood)	08016 (Wood)	PART NUMBER
FIREFIGHTER PIPE	11	13	11	13	401498
ACTIVITY BARRIER	1	1	1	1	402806
---- HARDWARE COMPLETE ----	1	0	0	0	402819
---- HARDWARE COMPLETE ----	0	0	1	0	402820
---- HARDWARE COMPLETE ----	0	1	0	0	402821
---- HARDWARE COMPLETE ----	0	0	0	1	402822
PIPE MOUNT BODY - 1"	22	26	22	26	404153
PIPE MOUNT CAP - 1"	22	26	22	26	404154
3/8" x 2" SOCKET HEAD CAP SCREW SS	22	26	22	26	816087
BOLT, FULL THD. 1/2"-13 X 1-3/4"	22	26	0	0	801206
BOLT, FULL THD. 1/2"-13 X 2-1/2"	0	0	22	26	801225
1/2" x 1 1/2" B.H.C.S.	4	4	0	0	811073
1/2" x 2 1/2" B.H.C.S.	0	0	4	4	811065
1/2" THREADED INSERT	26	30	0	0	M000
EAGLE FASTENER	0	0	26	30	G000
1/2" LOCKWASHER	26	30	26	30	817342
1/2" FLAT WASHER	4	4	4	4	817412
HOLE PLUG - M	4	4	0	0	M005G
HOLE PLUG - EAGLE	0	0	4	4	G005G

*Unless Otherwise Specified, All Units of Measure are Each*

*Items listed below Hardware Complete line are included with Hardware Complete Number*

**Warning: During Installation, Hardware And Small Parts Are Choking Hazards For Young Children. Store Unused Parts Appropriately Until Assembly Is Completed. Once Assembly Is Completed, Remove Any Unused Parts From The Play Environment And Dispose/Save Them In A Secure Location. Any bolt end protruding more than two full threads beyond the face of the nut causes risk of clothing entanglement. Promptly cut-off flush, file smooth, and treat to prevent corrosion.**

**Note: Peen Tee-Nuts and Flatwashers to match radius of pipe after assembly is complete.**

**Note: Loctite (supplied by others) should be used on any non-patch hardware.**

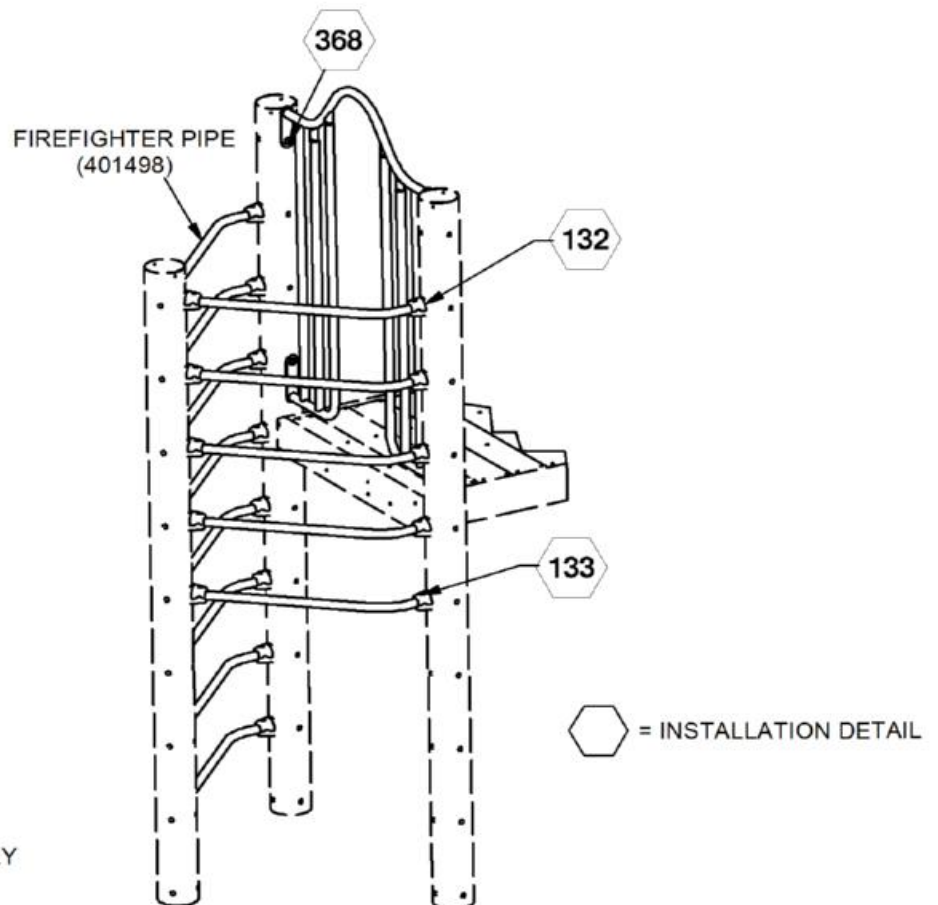
**M08-015 Firefighter Climb 11 Rung - Recycled**  
**08-015 Firefighter Climb 11 Rung - Wood**  
**M08-016 Firefighter Climb 13 Rung - Recycled**  
**08-016 Firefighter Climb 13 Rung - Wood**

**MAINTENANCE PROCEDURE:**

Periodically check hardware for tightness, and tighten as necessary. Always check all parts for breakage or wear, and immediately put equipment out of service until any faulty parts found are repaired or replaced. Also Check all metal parts for rust, paint loss and touch-up if necessary with paint. Check for welded areas and verify integrity. Check periodically resilient surfacing for appropriate depth and remove extraneous materials that could cause injury, infection, or disease. Maintain detailed installation, inspection, maintenance, and repair records for each public-use playground equipment.

**INSTALLATION INSTRUCTIONS:**

1. Locate Firefighter Climb on your structure design. Install 1/2" Threaded Inserts (M000) or Eagle Fasteners (G000). See Installation Prolog for instructions on installation of Threaded Inserts or Eagle Fasteners.
2. Attach Pipe Mount Bodies to Columns using Hex Bolts and 1/2" Lockwashers. See Detail 132.
3. Connect Firefighter Pipes to Pipe Mount Bodies using pipe Mount Caps and 3/8" x 2" Socket Head Cap Screws. See Detail 133.
4. Attach Activity Barrier to deck opening. See Detail 368.
5. Check that all hardware connections are securely tightened, and smooth away any sharp edges that may have been created during handling and assembly. Install resilient surfacing within the use zone of play structure in accordance with ASTM Specification F1292, and appropriate for the fall height of each structure. Refer to all applicable safety guidelines.

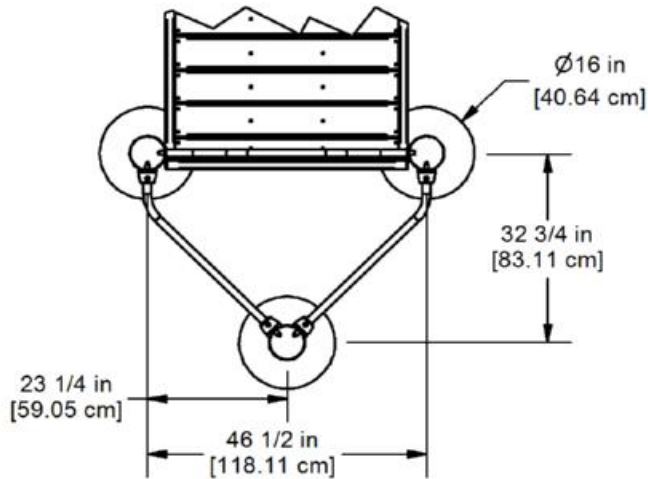


**FINISHED ASSEMBLY**

(M08016 Shown)

COMPONENTS SHOWN IN  
HIDDEN LINES ARE SOLD SEPARATELY

M08-015 Firefighter Climb 11 Rung - Recycled  
08-015 Firefighter Climb 11 Rung - Wood  
M08-016 Firefighter Climb 13 Rung - Recycled  
08-016 Firefighter Climb 13 Rung - Wood



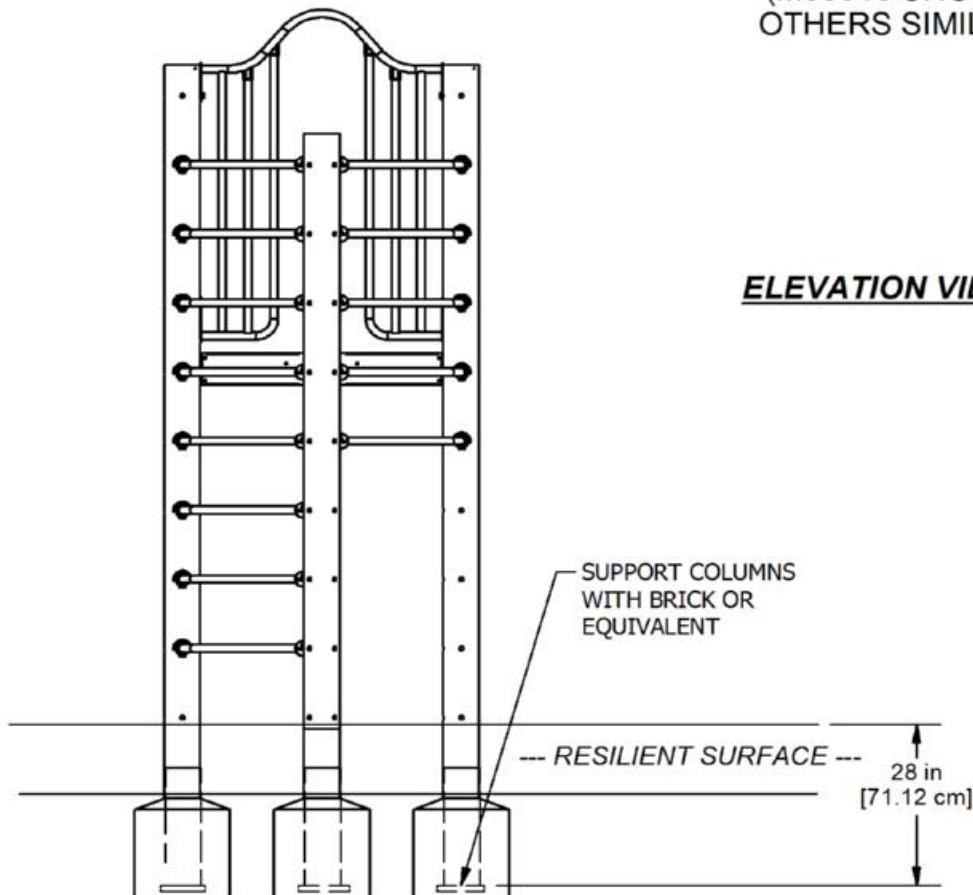
**PLAN VIEW**

**CONCRETE REQUIRED**

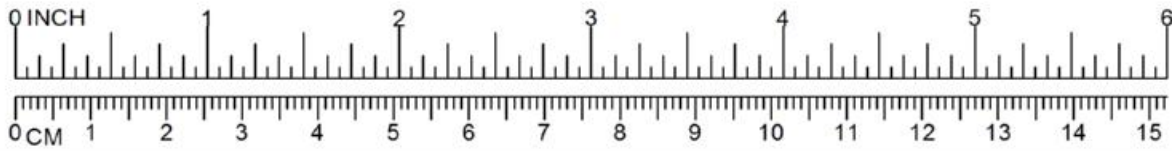
.07 CUBIC YARDS  
.05 [CUBIC METERS]

(Above calculation is per Column)

(M08016 SHOWN-OTHERS SIMILAR)

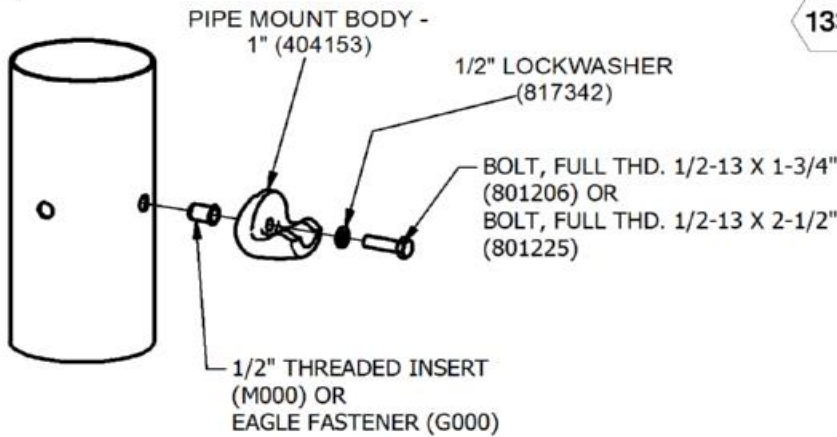


**ELEVATION VIEW**

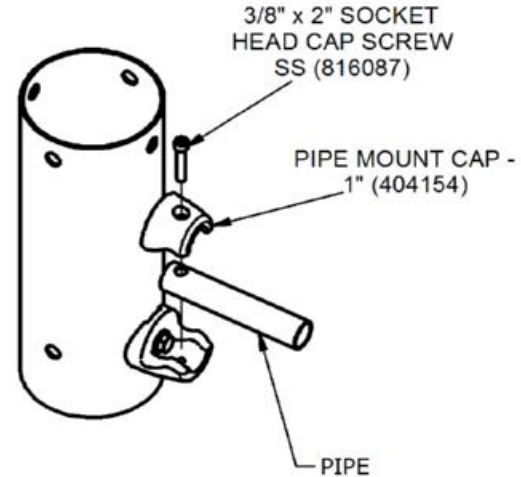


*M08-015 Firefighter Climb 11 Rung - Recycled*  
*08-015 Firefighter Climb 11 Rung - Wood*  
*M08-016 Firefighter Climb 13 Rung - Recycled*  
*08-016 Firefighter Climb 13 Rung - Wood*

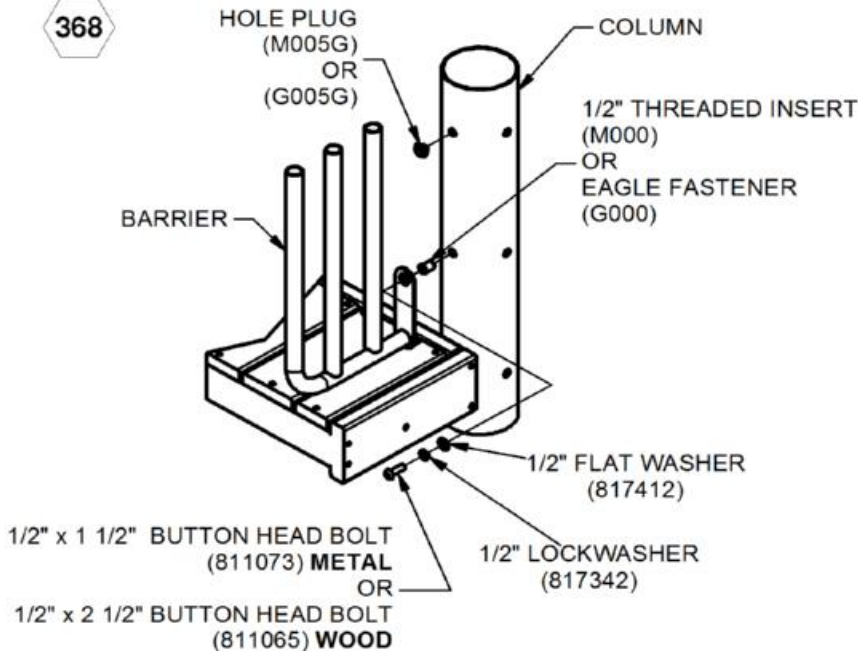
132



133



368



## M08043 Climb Wall for Platform w/Rope - Metal Z08043 Climb Wall for Platform w/Rope - Wood

Parts List			
DESCRIPTION	M08043	Z08043	PART NUMBER
CLIMB ROPE	1	1	G313
CLIMB ROPE WALL MODULE - M	1	0	M518
CLIMB ROPE WALL MODULE - W	0	1	Z518
CLIMB ROPE WALL STEP - M	1	1	3138M
CLIMB ROPE SUPPORT PIPE	1	1	401711
CLIMBING CLEAT	3	3	402300
<b>HARDWARE COMPLETE</b>	0	1	402894
<b>HARDWARE COMPLETE</b>	1	0	402910
3/8" CHAIN ANCHOR	1	1	C121
EAGLE FASTENER	0	6	G000
1/2" THREADED INSERT	6	0	M000
10MM DO-NUT BASE	2	2	G030
10MM DO-NUT CAP	2	2	G032
12MM DO-NUT BASE	16	16	G034
12MM DO-NUT CAP	16	16	G036
CLIMB ROPE CASTING	2	2	9225
PIPE MOUNT BODY - 1"	2	2	404153
PIPE MOUNT CAP - 1"	2	2	404154
3/8" x 1" B.H.C.S.	4	4	811050
3/8-16 x 2" SOCKET HEAD CAP SCREW SS	2	2	816087
3/8" x 3 1/2" P.B.H.C.S. w/PATCH	2	2	812075
3/8" INTERNAL TOOTH LOCKWASHER	2	2	817200
3/8" FLAT WASHER	2	2	817410
3/8" LOCK NUT	2	2	804353
3/8" HEX NUT NC NYLOCK SS	4	4	804380
1/2" x 1 3/4" HEX HEAD BOLT	2	0	801206
1/2" x 2 1/2" HEX HEAD BOLT (FULL THREAD)	6	8	801225
1/2" x 3" HEX HEAD BOLT	4	4	800806
1/2" INTERNAL TOOTH LOCK WASHER	16	16	817201
1/2" LOCKWASHER	2	2	817342
1/2" LOCKNUT	6	6	804355

*Unless Otherwise Specified, All Units of Measure are Each*

*Items listed below Hardware Complete line are included with Hardware Complete Number*

**Warning: During Installation, Hardware And Small Parts Are Choking Hazards For Young Children. Store Unused Parts Appropriately Until Assembly Is Completed. Once Assembly Is Completed, Remove Any Unused Parts From The Play Environment And Dispose/Save Them In A Secure Location. Any bolt end protruding more than two full threads beyond the face of the nut causes risk of clothing entanglement. Promptly cut-off flush, file smooth, and treat to prevent corrosion.**

**Note: Peen Tee-Nuts and Flatwashers to match radius of pipe after assembly is complete.**

**Note: Loctite (supplied by others) should be used on any non-patch hardware.**

## *M08043 Climb Wall for Platform w/Rope - Metal* *Z08043 Climb Wall for Platform w/Rope - Wood*

### **INSTALLATION INSTRUCTIONS:**

1. Locate Rope Climb on your structure design. Locate and dig footing holes as shown in the Ground View. Refer to your Installation Prolog for information on Footings.
2. Locate and install 1/2" Threaded Insert (M000) or Eagle Fastener (G000). Refer to your Installation Prolog for information on installation of Threaded Insert or Eagle Fastener.
3. Attach Climbing Cleat to Climb Rope Wall Module using 1/2" x 2 1/2" Hex Head Bolt, 1/2" Internal Tooth Lock Washers, 1/2" Lock Nuts, 12mm Do-Nut Base and 12mm Do-Nut Cap. See Detail 121.
4. Attach Climb Rope Wall Module to Column using 1/2" Threaded Insert, 1/2" x 3" Hex Head Bolt, 1/2" Internal Tooth Lock Washer, 12mm Do-Nut Base and 12mm Do-Nut Cap. See Detail 122.
5. **IMPORTANT:** If installing the wood version: Attach Climb Rope Wall Module to Column using Eagle Fastener, 1/2" x 3" Hex Head Bolt, 1/2" Internal Tooth Lock Washer, 12mm Do-Nut Base, and 12mm Do-Nut Cap. See Detail 122.
6. Connect Climb Rope Wall Step to Climb Rope Wall Module using 3/8" x 3 1/2" P.B.H.C.S. w/Patch, 3/8" Flat Washer, 3/8" Internal Tooth Lock Washer, 3/8" Lock Nut, 10mm Do-Nut Base, and 10mm Do-Nut Cap. See Detail 123.
7. Attach Pipe Mount to Column using 1/2" Threaded Insert, 1/2" x 1 3/4" Hex Head Bolts and 1/2" Lock Washer. See Detail 132.
8. **IMPORTANT:** If installing the wood version: Attach Pipe Mount to Column using Eagle Fastener, 1/2" x 1 3/4" Hex Head Bolts, and 1/2" Lock Washer. See Detail 132.
9. Position Climb Rope Support Pipe on Pipe Mount with center rivet facing downward. See Detail 034.
10. Secure Climb Rope Support Pipe using Pipe Mount Cap and 3/8" x 2" Socket Head Cap Screw. See Detail 133.
11. Attach Climb Rope to Climb Rope Support Pipe using Climb Rope Casting with 3/8" x 1" B.H.C.S. and 3/8" Nylock Nut. See Detail 035.

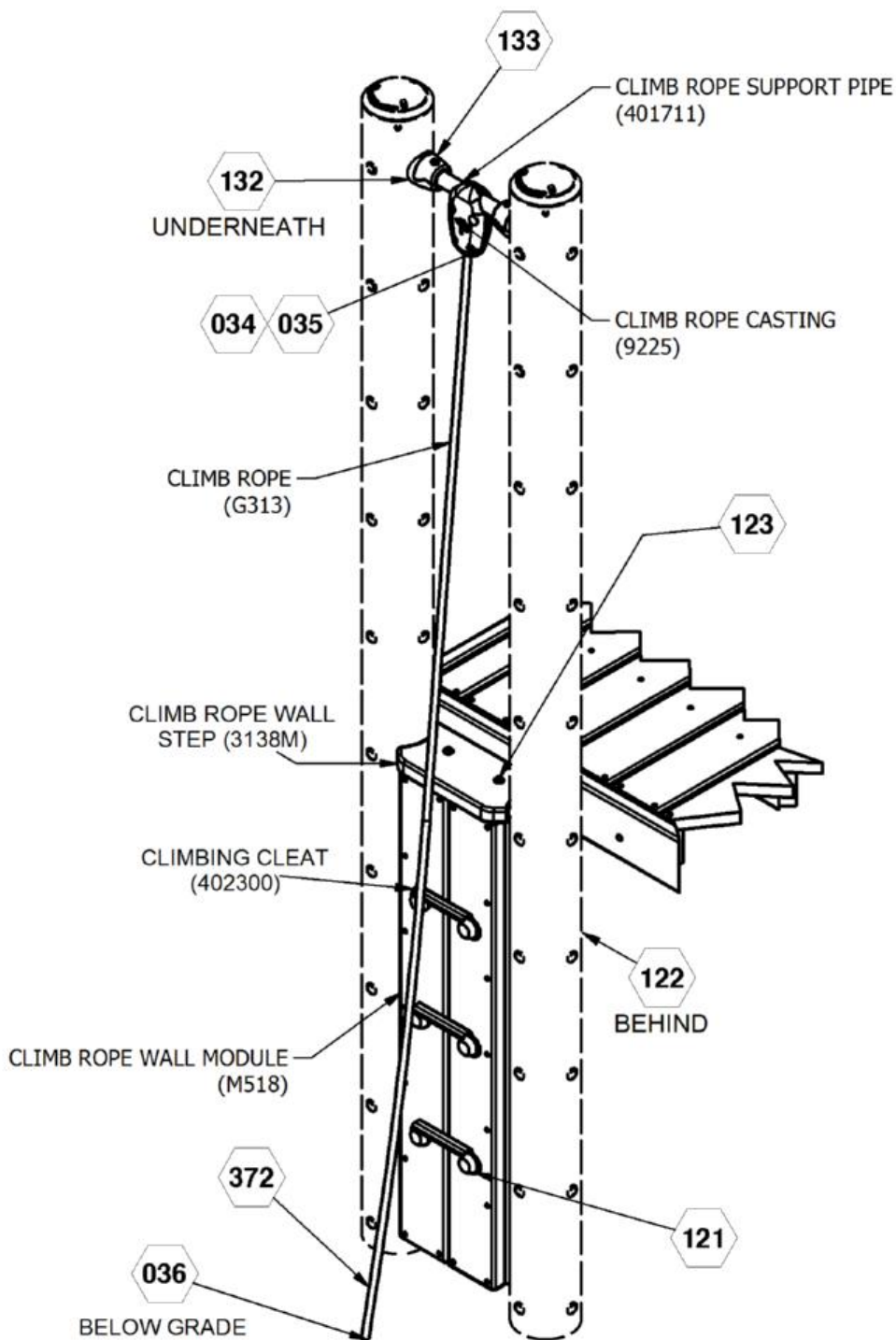
**IMPORTANT:** Make certain that the washer on the Climb Rope is positioned inside of the Climb Rope Castings before connecting them together. See Detail 034. Tighten bolts incrementally in a circular sequence, until the Castings come together and the bolts are tight. See Detail 035.

12. Slide Chain Anchor through eye in bottom end of Climb Rope and position in prepared footing hole. Make sure that Rope connection is positioned 15" away from centers of columns, and that there is approximately 18" of side-to-side play at the center-point of the Rope, taking care to support the anchor in the desired location until the concrete is cured. See Detail 036 and 372.
13. After entire unit is assembled pour concrete footings within 4" to the top and taper away from post for water drainage. Allow to cure at least 48 hours before use. Temporary bracing may be required until concrete cures.
14. Check that all hardware connections are securely tightened, and smooth away any sharp edges that may have been created during handling and assembly. Install resilient surfacing within the use zone of play structure in accordance with ASTM Specification F1292, and appropriate for the fall height of each structure. Refer to all applicable safety guidelines.

### **MAINTENANCE PROCEDURE:**

Periodically check hardware for tightness, and tighten as necessary. Always check all parts for breakage or wear, and immediately put equipment out of service until any faulty parts found are repaired or replaced. Also Check all metal parts for rust, paint loss and touch-up if necessary with paint. Check for welded areas and verify integrity. Check periodically resilient surfacing for appropriate depth and remove extraneous materials that could cause injury, infection, or disease. Maintain detailed installation, inspection, maintenance, and repair records for each public-use playground equipment.

## M08043 Climb Wall for Platform w/Rope - Metal Z08043 Climb Wall for Platform w/Rope - Wood



**FINISHED ASSEMBLY**  
M08043 SHOWN

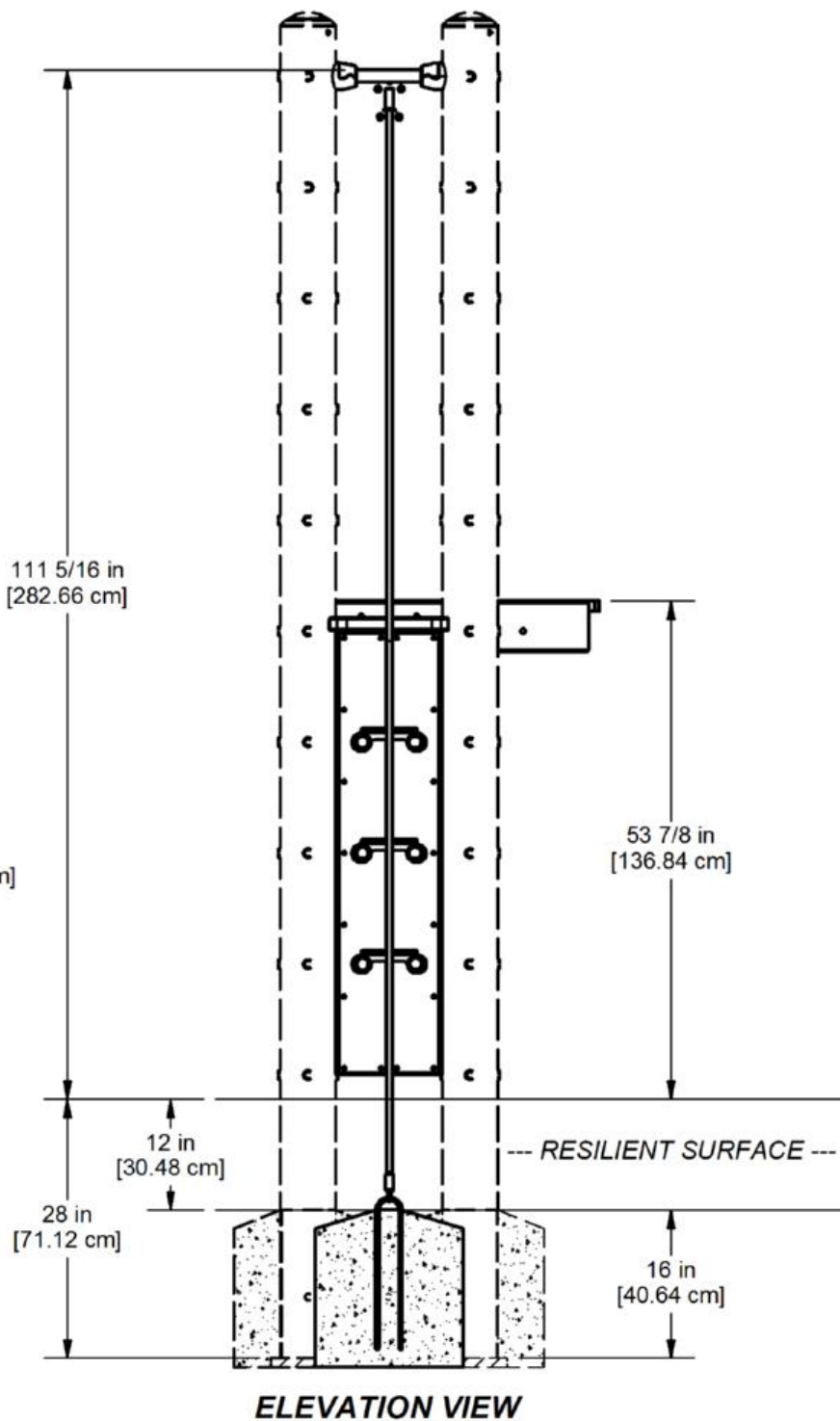
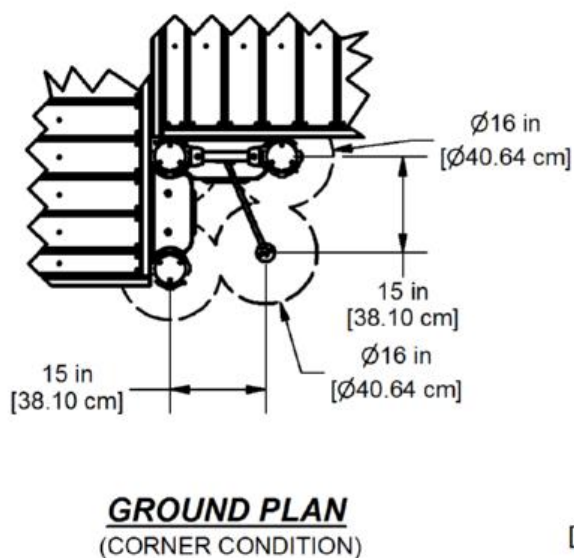
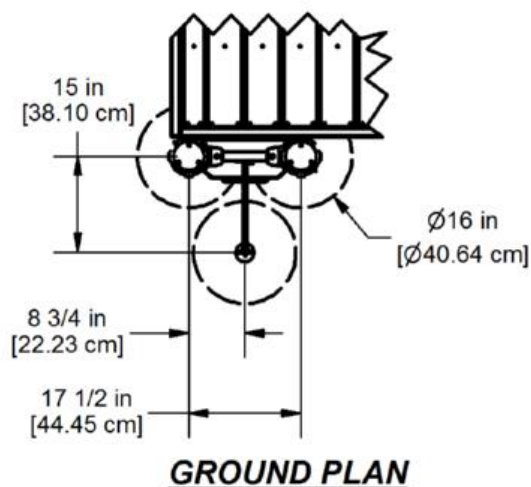
COMPONENTS SHOWN IN  
HIDDEN LINES ARE SOLD SEPARATELY

SHEET 3 OF 7

= INSTALLATION DETAIL

Issued/Revised: 7/10/2018

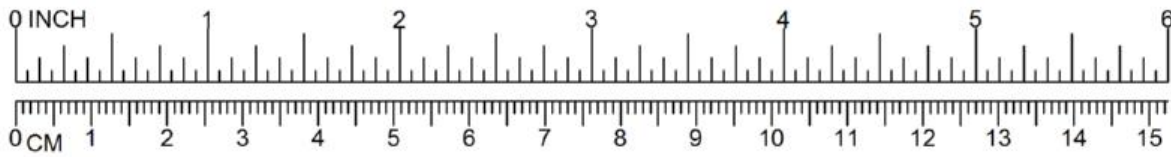
## M08043 Climb Wall for Platform w/Rope - Metal Z08043 Climb Wall for Platform w/Rope - Wood



**CONCRETE REQUIRED**  
0.052 CUBIC YARDS  
0.040 [CUBIC METERS]

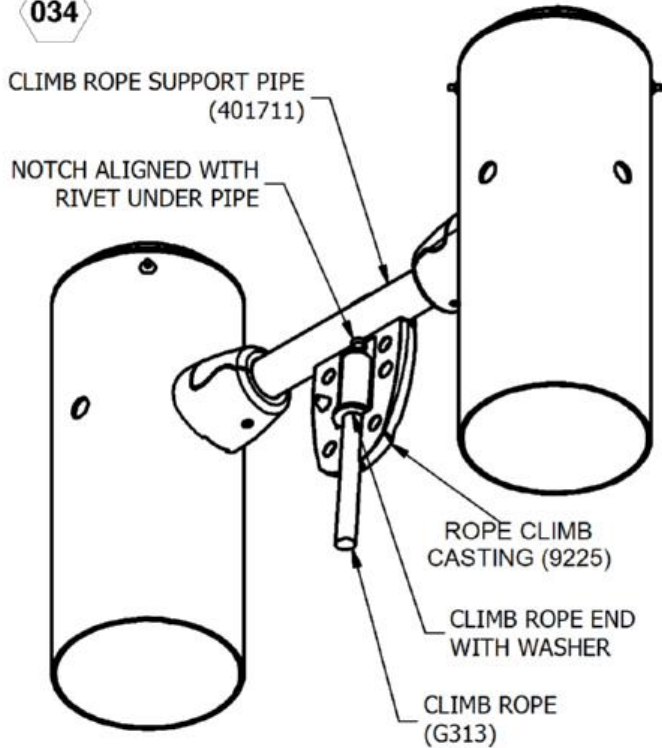
Issued/Revised: 7/10/2018

1-866-814-8697

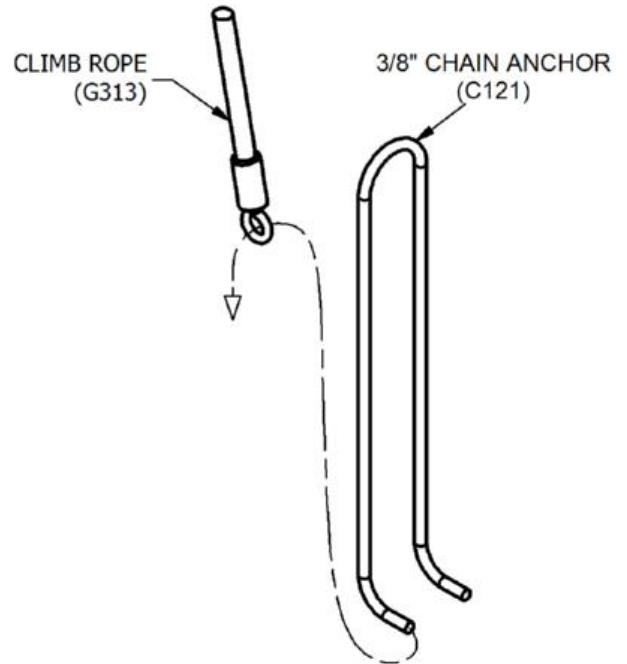


# M08043 Climb Wall for Platform w/Rope - Metal Z08043 Climb Wall for Platform w/Rope - Wood

034



036

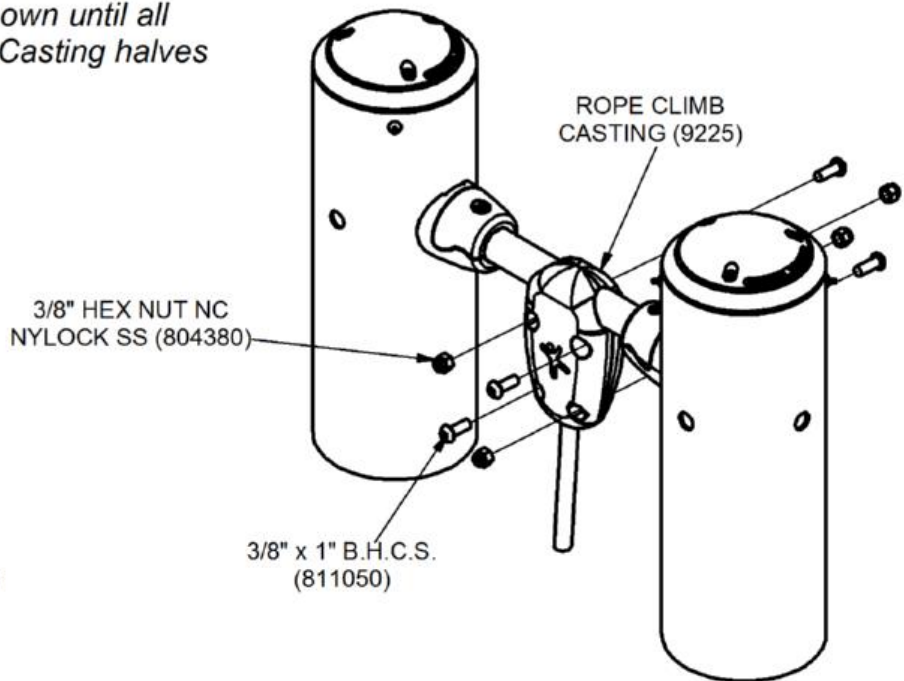


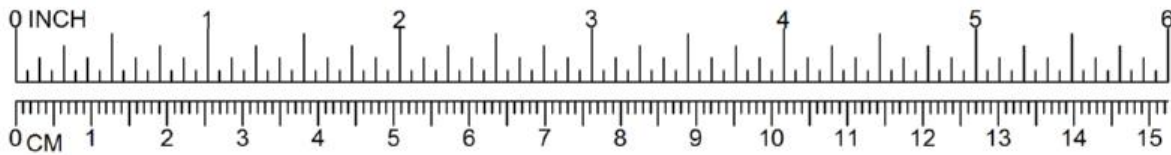
*Note: Alternate tightening of fasteners several turns at a time in the order shown until all fasteners are tight and Rope Casting halves come together*

035

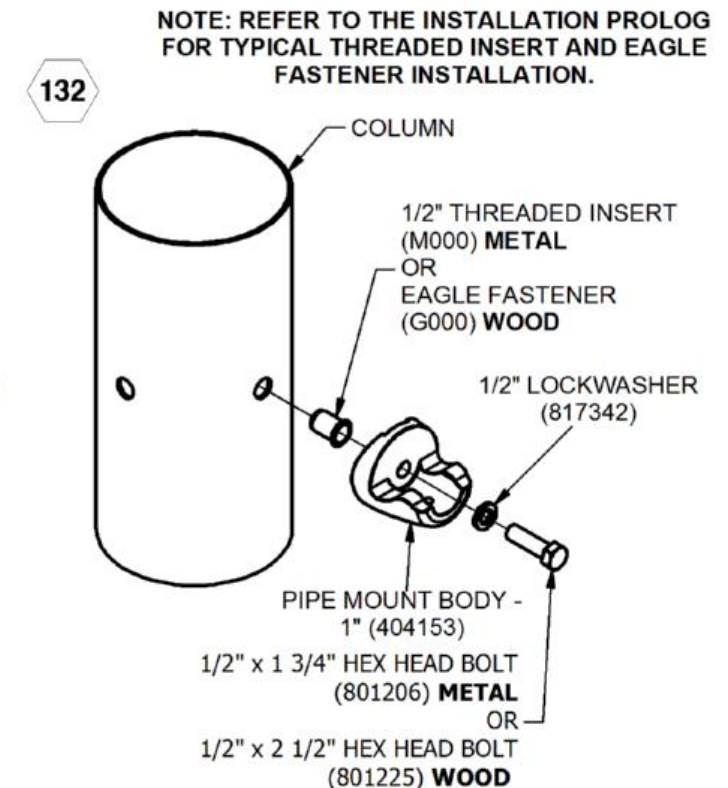
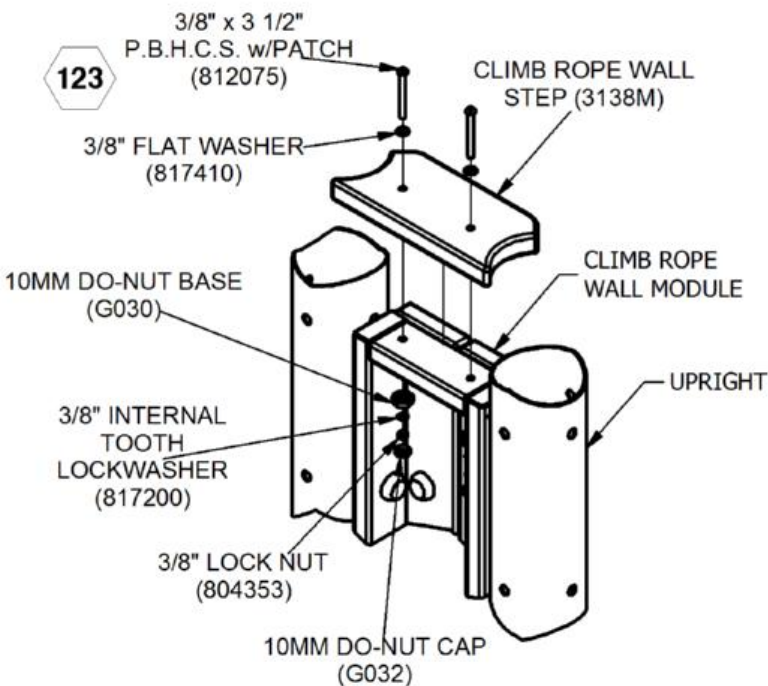
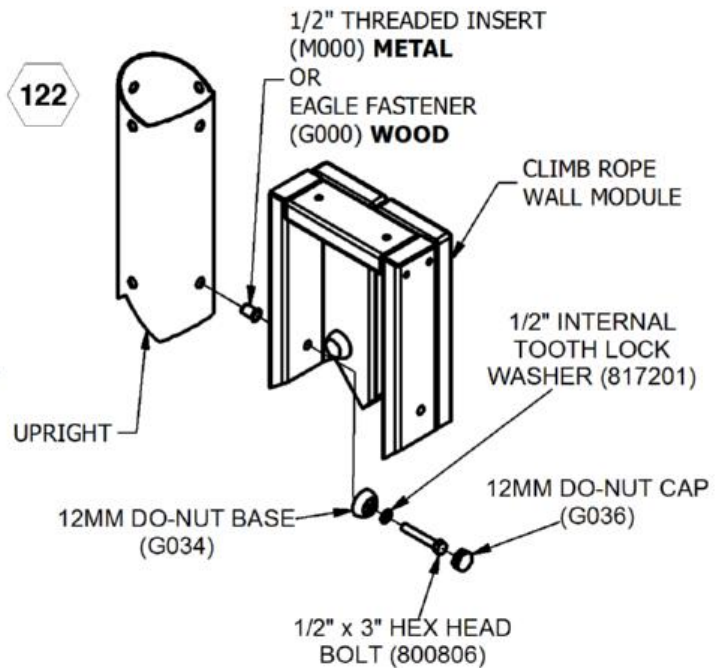
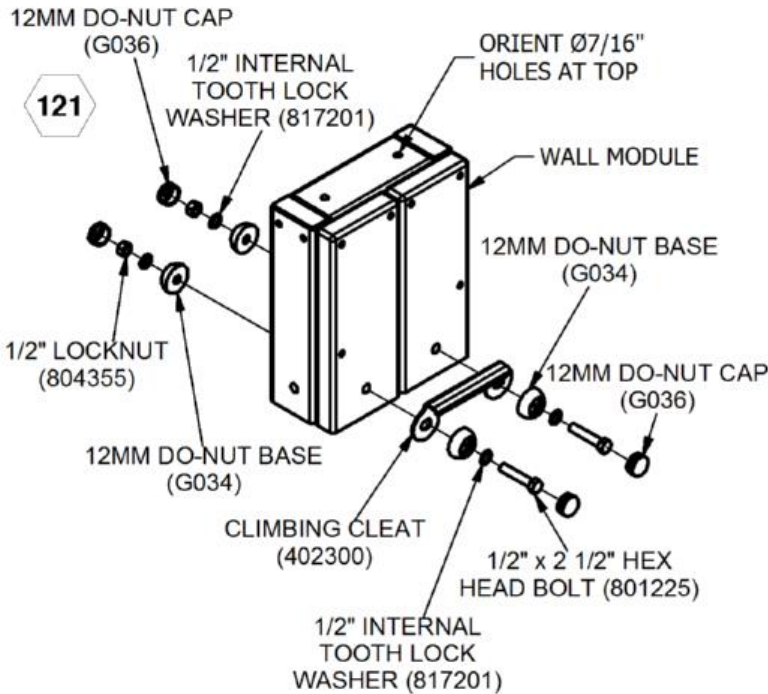


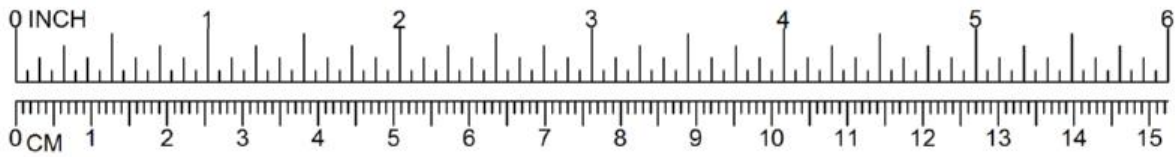
**Tightening Sequence**



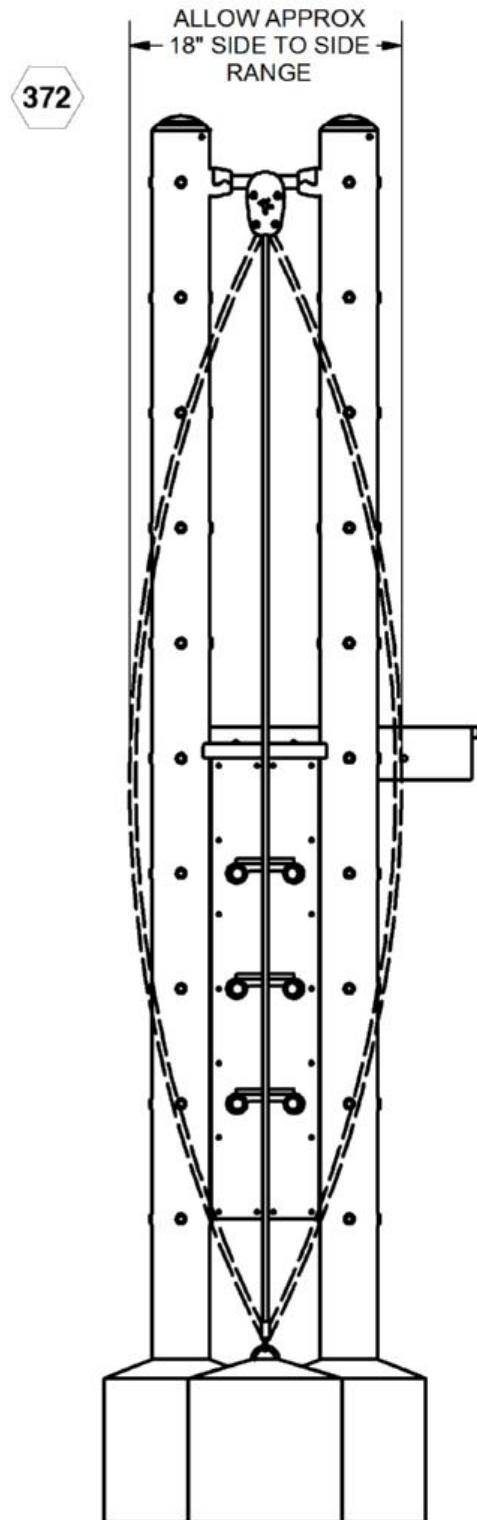
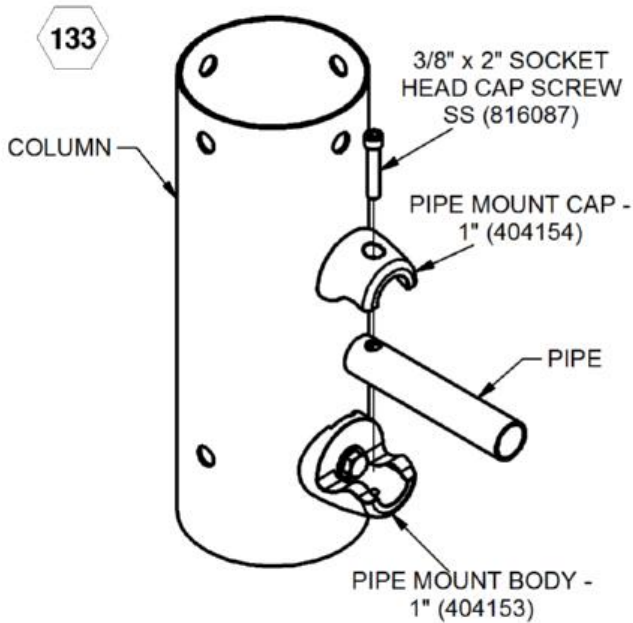


# M08043 Climb Wall for Platform w/Rope - Metal Z08043 Climb Wall for Platform w/Rope - Wood





# M08043 Climb Wall for Platform w/Rope - Metal Z08043 Climb Wall for Platform w/Rope - Wood





**M08-069 Curly Climber - End 54" Platform (Metal)**  
**08-069 Curly Climber - End 54" Platform (Wood)**  
**M08-071 Curly Climber - End 66" Platform (Metal)**  
**08-071 Curly Climber - End 66" Platform (Wood)**  
**M08-074 Curly Climber - End 78" Platform (Metal)**  
**08-074 Curly Climber - End 78" Platform (Wood)**

Parts List							
DESCRIPTION	M08-069	08-069	M08-071	08-071	M08-074	08-074	PART NUMBER
CURLY CLIMBER SUPPORT, FLAT - END	1	1	1	1	1	1	401992
Curly Climber - 54" Platform	1	1	0	0	0	0	402007
Curly Climber - 66" Platform	0	0	1	1	0	0	401822
Curly Climber - 72" Platform	0	0	0	0	1	1	G217
ACTIVITY BARRIER	1	1	1	1	1	1	402806
---- HARDWARE COMPLETE ----	1	0	1	0	1	0	402864
---- HARDWARE COMPLETE ----	0	1	0	1	0	1	402865
PIPE MOUNT BODY - 1"	2	2	2	2	2	2	404153
PIPE MOUNT CAP - 1"	2	2	2	2	2	2	404154
3/8-16 x 2" SOCKET HEAD CAP SCREW SS	2	2	2	2	2	2	816087
1/2" THREADED INSERT	6	0	6	0	6	0	M000
EAGLE FASTENER	0	6	0	6	0	6	G000
HOLE PLUG - M	4	0	4	0	4	0	M005G
HOLE PLUG - WOOD	0	4	0	4	0	4	G005G
BOLT TAP 1/2"-13 X 1-3/4" NC PLTD	6	0	6	0	6	0	801206
BOLT TAP 1/2"-13 X 12-1/2" NC PLTD	0	6	0	6	0	6	801225
1/2" INTERNAL TOOTH LOCK WASHER	4	4	4	4	4	4	817201
1/2" LOCKWASHER	2	2	2	2	2	2	817342
DO-NUT BASE 12MM	4	4	4	4	4	4	G034
DO-NUT CAP 12MM	4	4	4	4	4	4	G036
ANCHOR ROD	1	1	1	1	1	1	402121

*Unless Otherwise Specified, All Units of Measure are Each*

*Items listed below Hardware Complete line are included with Hardware Complete Number*

**Warning: During Installation, Hardware And Small Parts Are Choking Hazards For Young Children. Store Unused Parts Appropriately Until Assembly Is Completed. Once Assembly Is Completed, Remove Any Unused Parts From The Play Environment And Dispose/Save Them In A Secure Location. Any bolt end protruding more than two full threads beyond the face of the nut causes risk of clothing entanglement.**

**Promptly cut-off flush, file smooth, and treat to prevent corrosion.**

**Note: Peen Tee-Nuts and Flatwashers to match radius of pipe after assembly is complete.**

**Note: Loctite (supplied by others) should be used on any non-patch hardware.**

**MAINTENANCE PROCEDURE:**

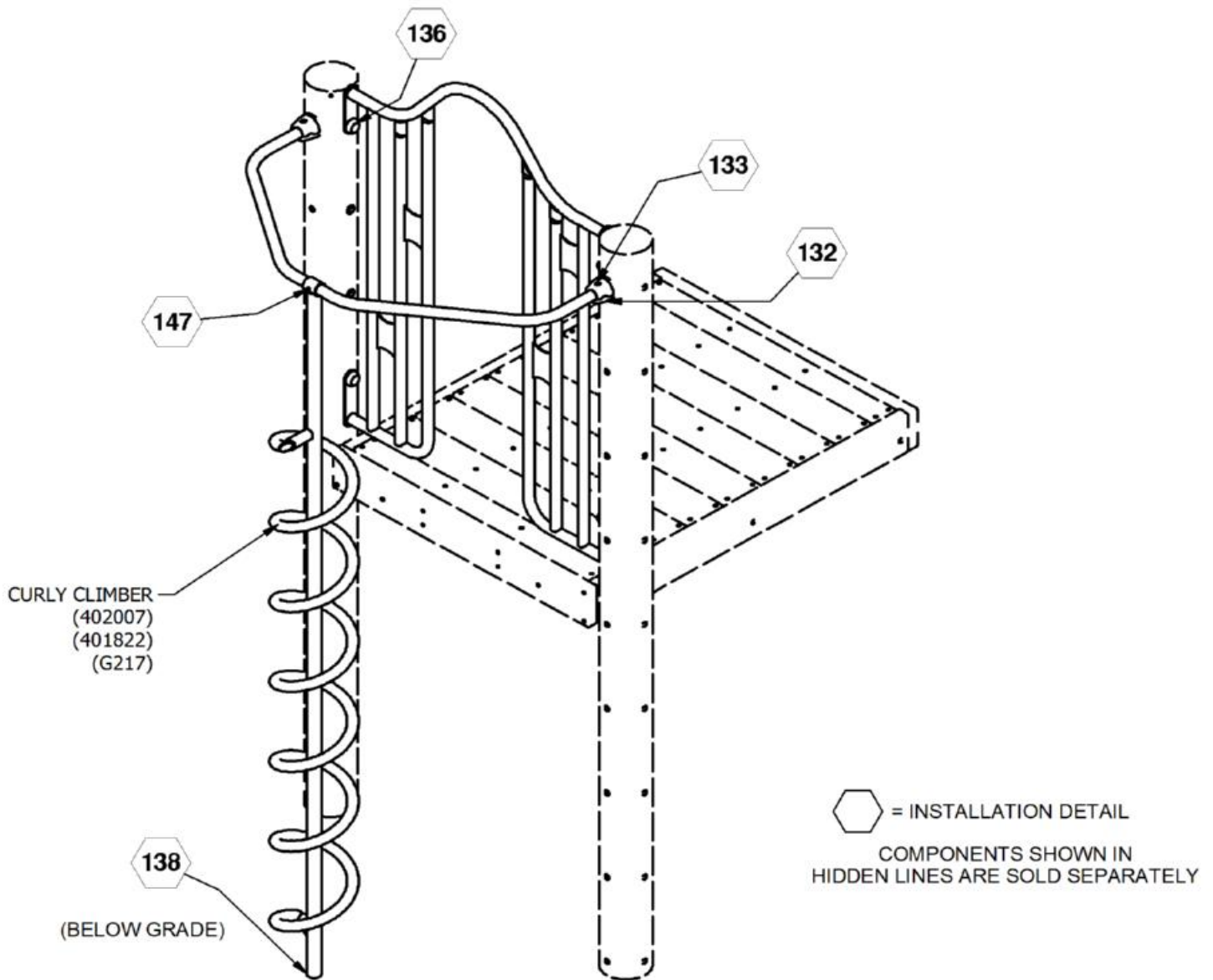
Periodically check hardware for tightness, and tighten as necessary. Always check all parts for breakage or wear, and immediately put equipment out of service until any faulty parts found are repaired or replaced. Also Check all metal parts for rust, paint loss and touch-up if necessary with paint. Check for welded areas and verify integrity. Check periodically resilient surfacing for appropriate depth and remove extraneous materials that could cause injury, infection, or disease. Maintain detailed installation, inspection, maintenance, and repair records for each public-use playground equipment.

*M08-069 Curly Climber - End 54" Platform (Metal)*  
*08-069 Curly Climber - End 54" Platform (Wood)*  
*M08-071 Curly Climber - End 66" Platform (Metal)*  
*08-071 Curly Climber - End 66" Platform (Wood)*  
*M08-074 Curly Climber - End 78" Platform (Metal)*  
*08-074 Curly Climber - End 78" Platform (Wood)*

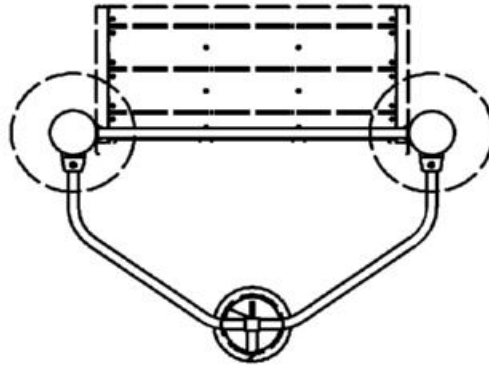
## **INSTALLATION INSTRUCTIONS:**

1. Locate Curly Climber on your structure design. Dig Footing Holes and install 1/2" Threaded Inserts (M000) or Eagle Fasteners (G000). See Installation Prolog for instructions on installation of Threaded Inserts or Eagle Fasteners.
2. Attach Pipe Mount Bodies to Columns using Hex Bolts and 1/2" Lockwashers. See Detail 132.
3. Pass end of Curly Climber through Curly Climber Support, positioning Curly Climber at mid-point of Curly Climber Support. See Detail 147.
4. Insert Anchor Rod through hole in end of Curly Climber, and position in prepared footing hole. See Detail 138.
5. Connect Curly Climber Support to Pipe Mount Bodies using pipe Mount Caps and 3/8" x 2" Socket Head Cap Screws. See Detail 133.
6. Plumb Curly Climber, and tighten factory-installed Set Screw at top securely. See Detail 147.
7. Connect Activity Barrier to Columns using 1/2" Bolts, 1/2" Internal Tooth Lockwashers, 12mm Do-Nut Bases and 12mm Do-Nut Caps. See Detail 136.
8. After entire unit is assembled pour concrete footings within 4" to the top and taper away from post for water drainage. Allow to cure at least 48 hours before use. Temporary bracing may be required until concrete cures.
9. Check that all hardware connections are securely tightened, and smooth away any sharp edges that may have been created during handling and assembly. Install resilient surfacing within the use zone of play structure in accordance with ASTM Specification F1292, and appropriate for the fall height of each structure. Refer to all applicable safety guidelines.

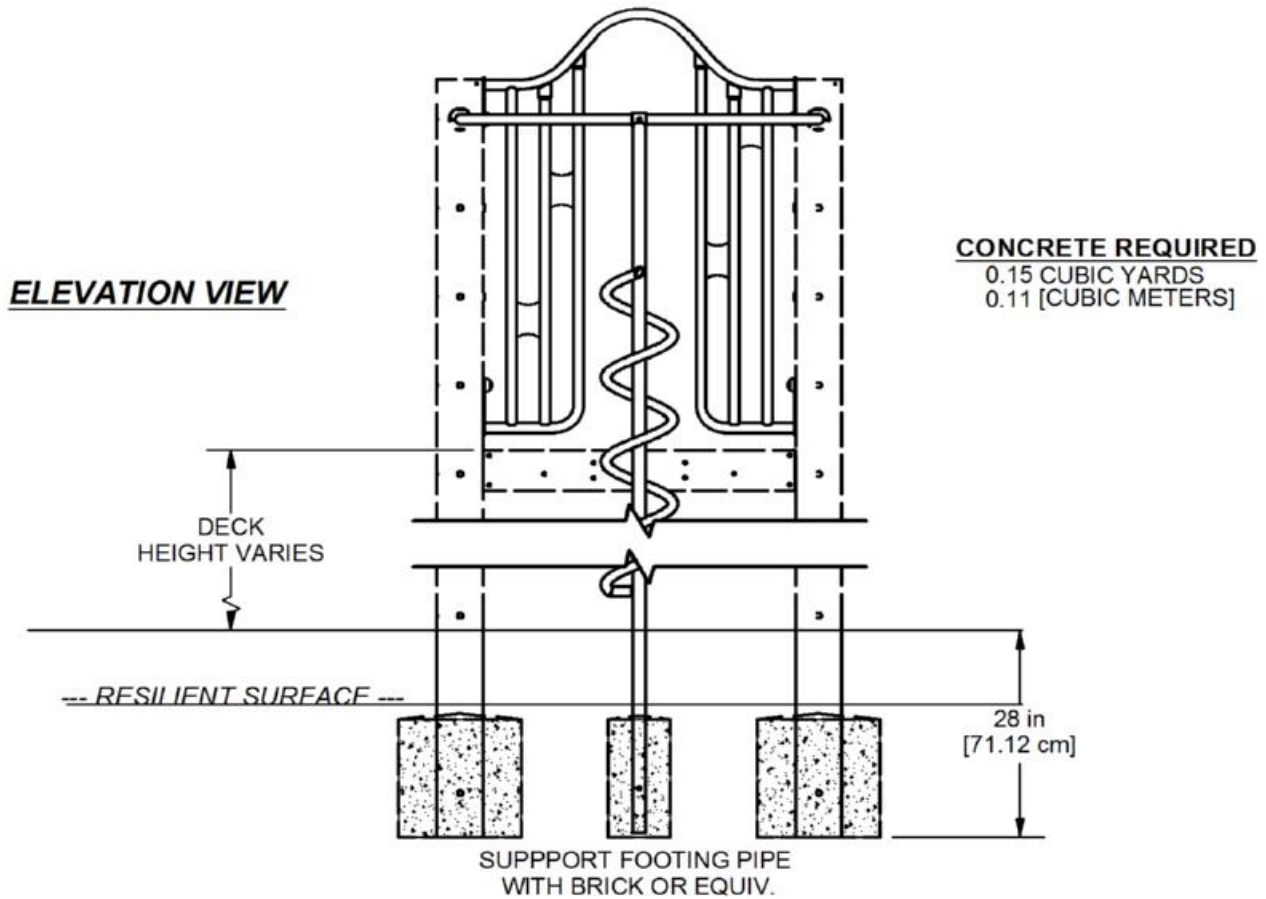
M08-069 Curly Climber - End 54" Platform (Metal)  
 08-069 Curly Climber - End 54" Platform (Wood)  
 M08-071 Curly Climber - End 66" Platform (Metal)  
 08-071 Curly Climber - End 66" Platform (Wood)  
 M08-074 Curly Climber - End 78" Platform (Metal)  
 08-074 Curly Climber - End 78" Platform (Wood)



- M08-069 Curly Climber - End 54" Platform (Metal)
- 08-069 Curly Climber - End 54" Platform (Wood)
- M08-071 Curly Climber - End 66" Platform (Metal)
- 08-071 Curly Climber - End 66" Platform (Wood)
- M08-074 Curly Climber - End 78" Platform (Metal)
- 08-074 Curly Climber - End 78" Platform (Wood)

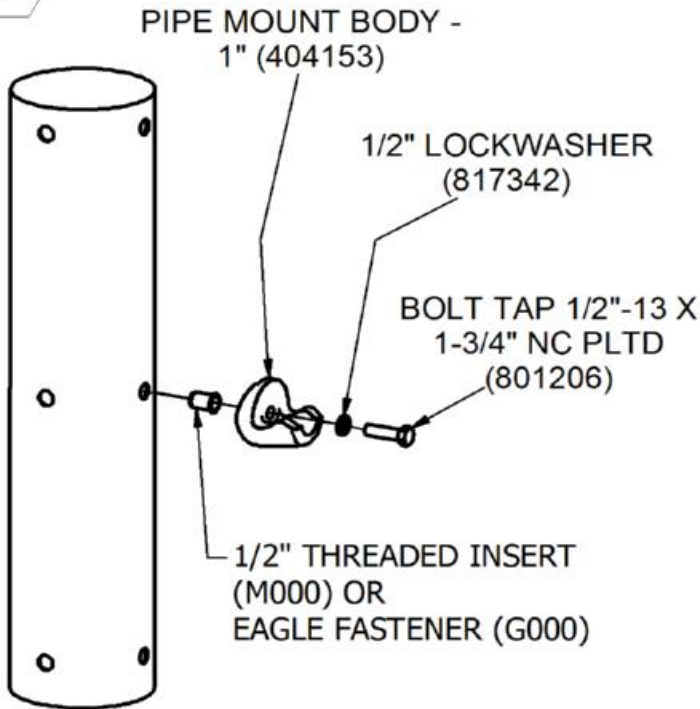


**GROUND PLAN**

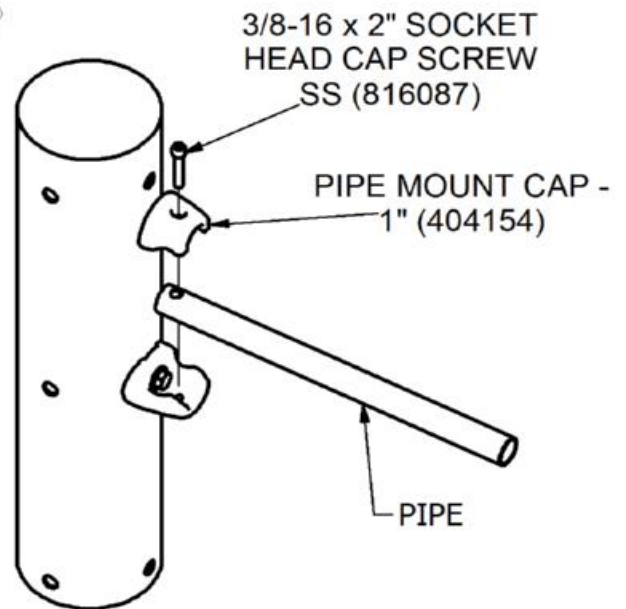


M08-069 Curly Climber - End 54" Platform (Metal)  
 08-069 Curly Climber - End 54" Platform (Wood)  
 M08-071 Curly Climber - End 66" Platform (Metal)  
 08-071 Curly Climber - End 66" Platform (Wood)  
 M08-074 Curly Climber - End 78" Platform (Metal)  
 08-074 Curly Climber - End 78" Platform (Wood)

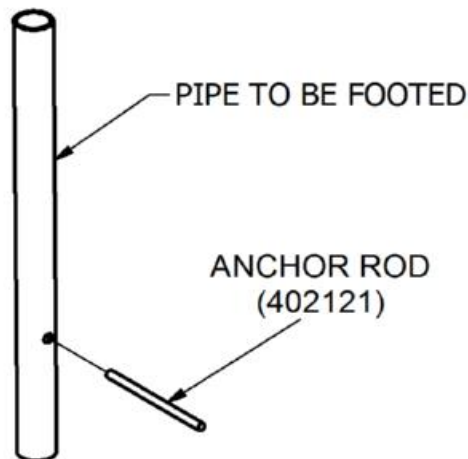
132

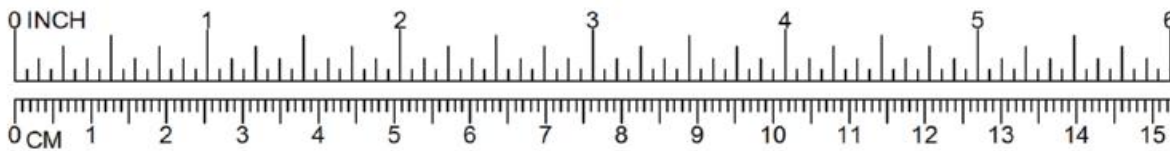


133

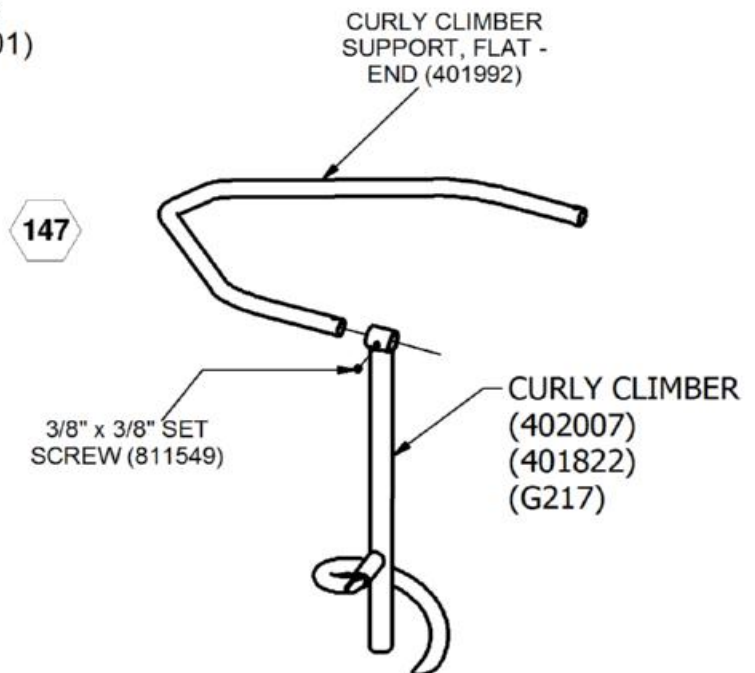
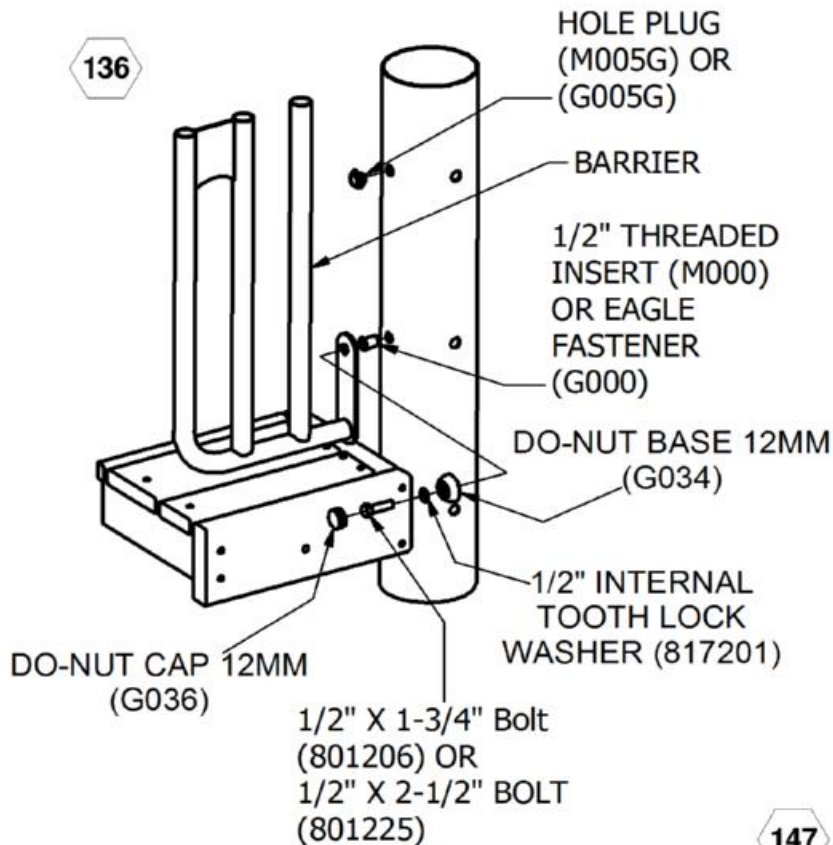


138





**M08-069 Curly Climber - End 54" Platform (Metal)**  
**08-069 Curly Climber - End 54" Platform (Wood)**  
**M08-071 Curly Climber - End 66" Platform (Metal)**  
**08-071 Curly Climber - End 66" Platform (Wood)**  
**M08-074 Curly Climber - End 78" Platform (Metal)**  
**08-074 Curly Climber - End 78" Platform (Wood)**

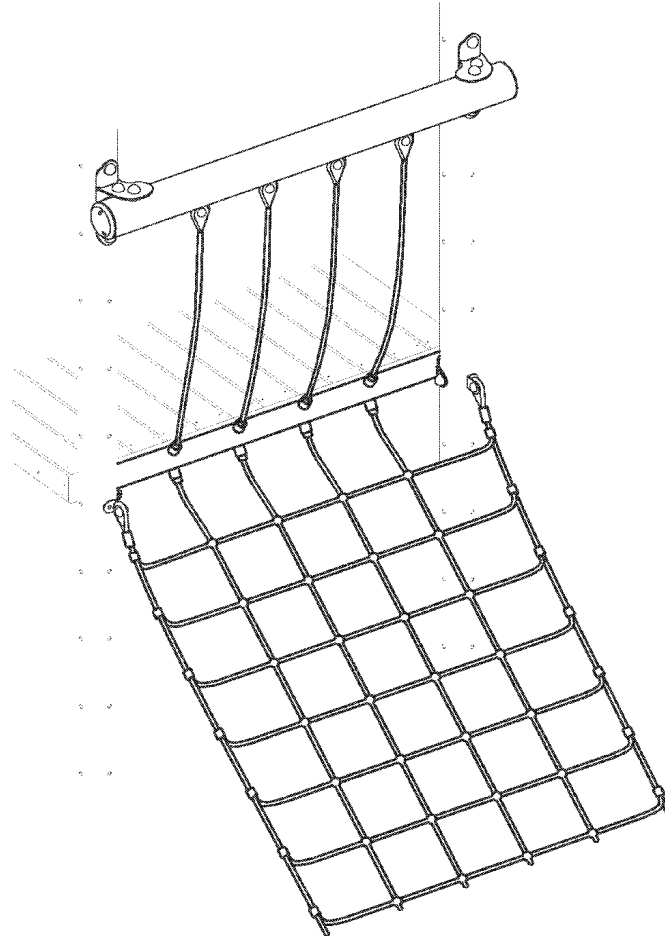


# Cargo Net

M09-001  
Installation Instructions



































**BigToys**<sup>®</sup>

A PLAYCORE Company



DET.	QTY.	PART#	DESCRIPTION	ICON (NOT TO SCALE)
A	1	G300	Net Cargo Black w/ Hardware	
B	1	401993	Cargo Net Anchor	
C	4	G315	Net Entry Rope Black w/ Nut and Washer	
D	1	401187	Column, Metal 6'-0" - Net Beam	
E	2	G244P	Bracket Column 90D	
F	1	401355	Bracket, Net Support	
G	12	M000	Threaded Insert 1/2"	
H	3	C121	Chain Anchor 3/8" - Hdg	
AA	2	M600	Column End Fitting, Alum	
I	2	G010	End Cap	

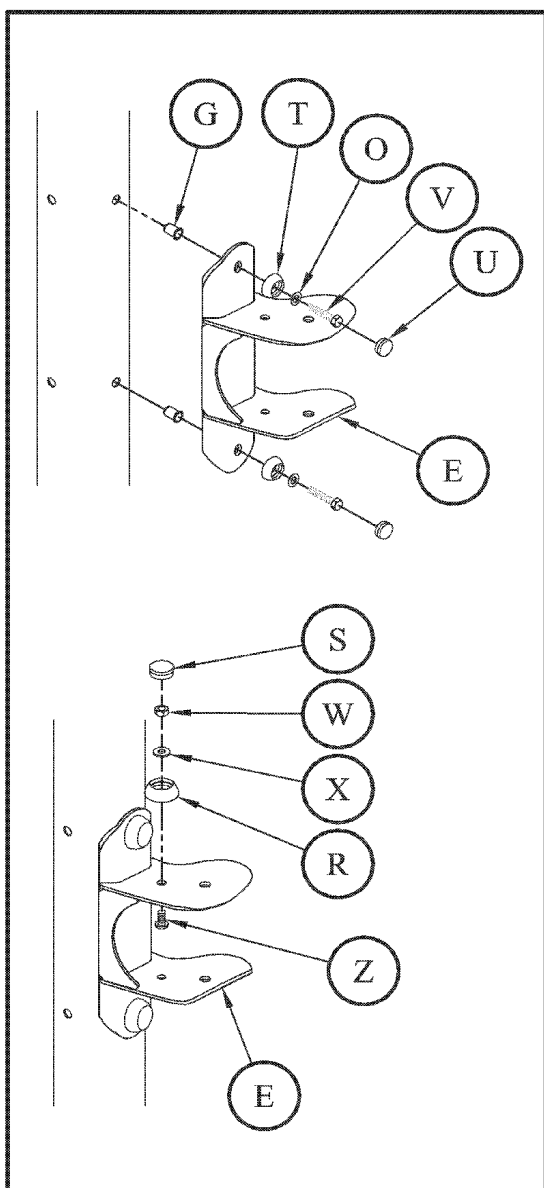
Continued

DET.	QTY.	PART#	DESCRIPTION	ICON (NOT TO SCALE)	
	1	404809	HARDWARE COMPLETE		
J	6	810062	Screw Sheet Metal FH Sq Dr SS #10x1/2"		
K	6	0045	Net Thimble Bearing		
L	2	800364	Bolt Carriage 1/2 x 3-1/2" NC Pltd		
M	2	817413	Washer 3/8" Plate Modified (PN 0445)		
N	2	804055	Nut, Hex 1/2-13 NC Pltd		
O	18	817201	Lock Washer, 1/2" Int Tooth Type A PLTD		
P	6	801006	Bolt Hex 3/8-16 x 1-3/4" Grd 2 NC Pltd		
Q	2	9420	Bracket Net "L" Hdg		
R	12	G030	Do-Nut Base (No Boss) 10mm		
S	12	G032	Do-Nut Cap 10mm		
T	14	G034	Do-Nut Base (No Boss) 12mm		
U	14	G036	Do-Nut Cap 12mm		
V	12	801206	Bolt Tap 1/2-13 x 1-3/4" Grd 2 Nc Pltd		
W	8	804053	Nut Hex 3/8-16 NC Pltd		
X	14	817200	Lock Washer, 3/8" Int Tooth Type A PLTD		
Z	2	811052	Cap Screw 3/8-16 x3/4" Btn Hd Soc P-Loc		
BB	4	805303	Rivet, Alum Drive 1/4 x 15/32		

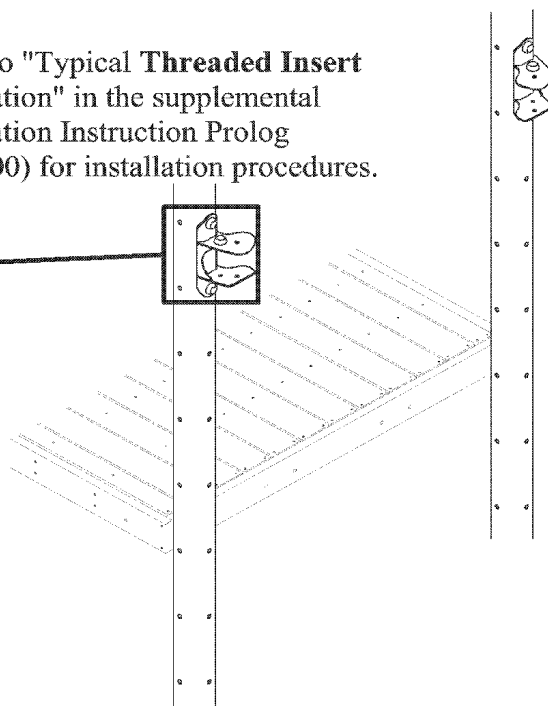
1. Refer to your structure design for location of the Cargo Net.
2. **Attach Column Brackets (E)** to vertical columns using hardware (G)(T)(O)(V)(U).  
(See "Typical Do-Nut Installation.")  
(See "Typical Threaded Insert Installation.")
3. **Install Do-Nut Assemblies (S)(W)(X)(R)(Z)** in top of Brackets (E) as shown.



*The curved ears of the Column Brackets (E) must face each other (See illustration below.)*



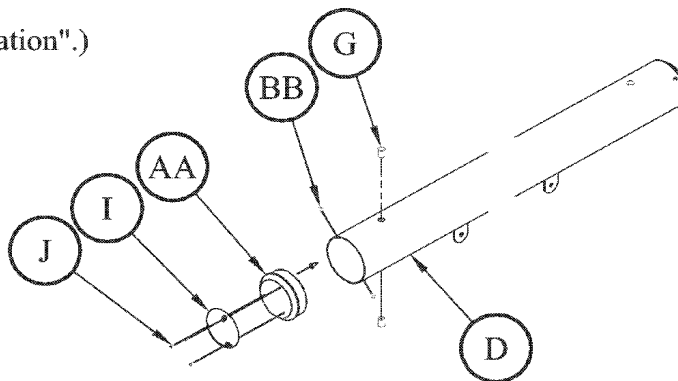
Refer to "Typical **Threaded Insert Installation**" in the supplemental **Installation Instruction Prolog (iM1000)** for installation procedures.



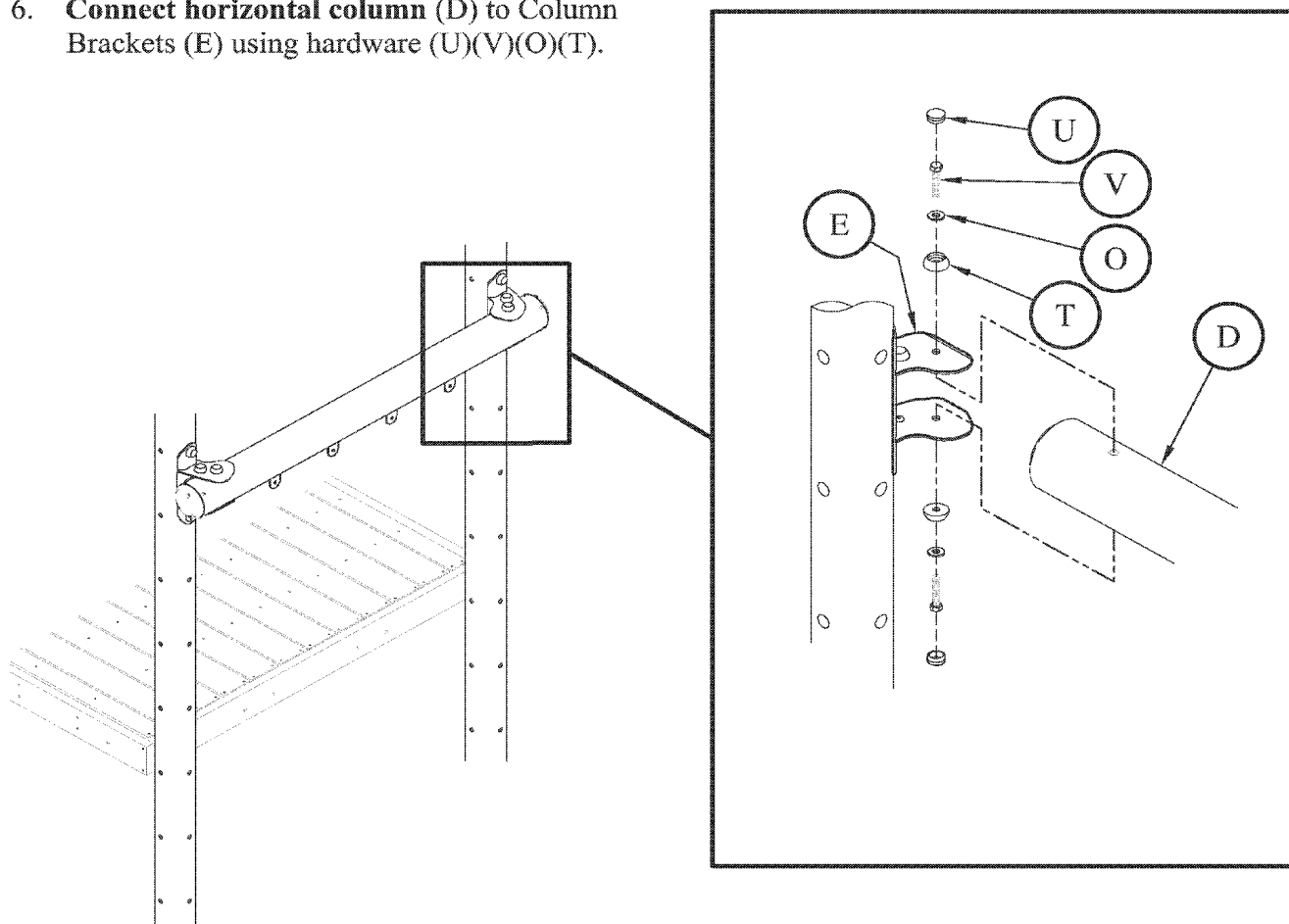
4. **Install Threaded Insert (G)** to Beam (D) as shown.  
(See "Typical Threaded Insert Installation".)

5. **Attach Column End Fitting (AA) and End Cap (I)** to both ends of Beam (D) using hardware (J)(BB).  
(See "Typical Column End Fitting Installation".)

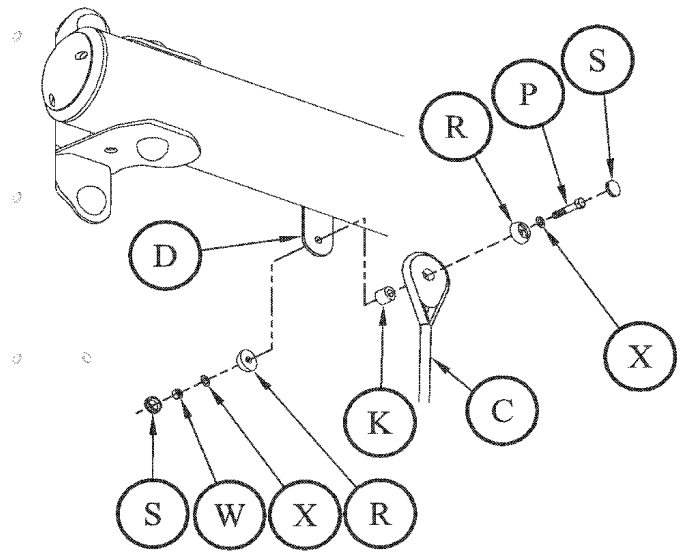
Refer to "Typical Threaded Insert Installation" in the supplemental Installation Instruction Prolog (iM1000) for installation procedures.



6. **Connect horizontal column (D)** to Column Brackets (E) using hardware (U)(V)(O)(T).

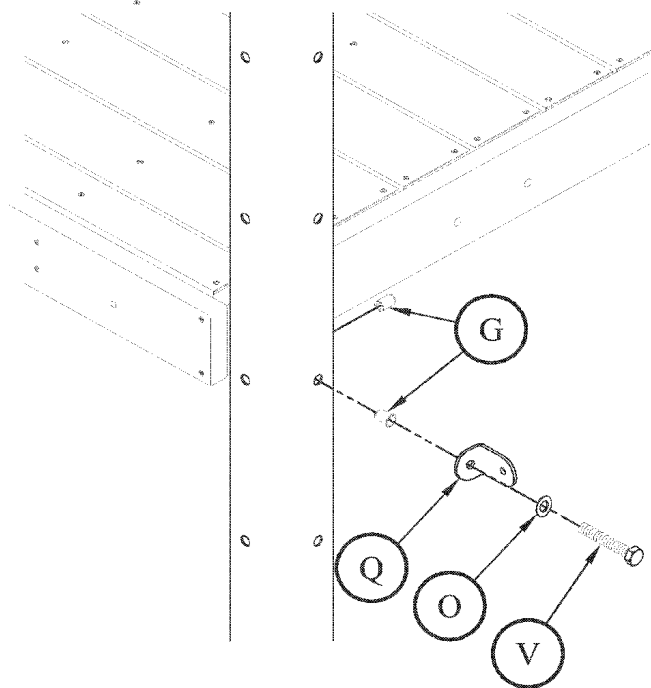


7. **Attach Entry Ropes (C) to Beam (D)**  
using hardware (S)(W)(X)(R)(K)(X)(P).

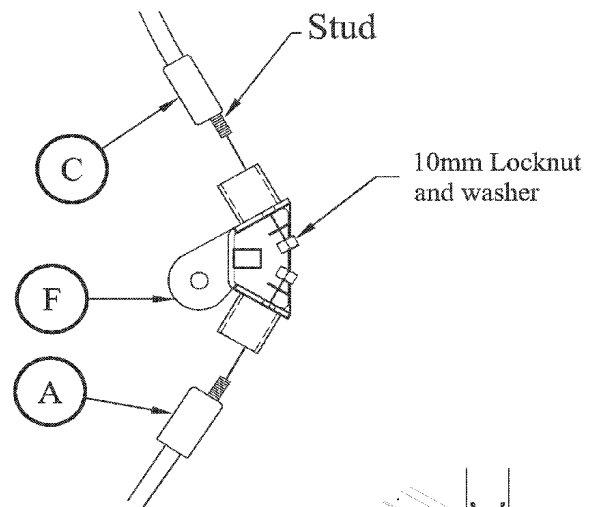


8. **Install four Threaded Inserts (G)** at  
platform height as shown.

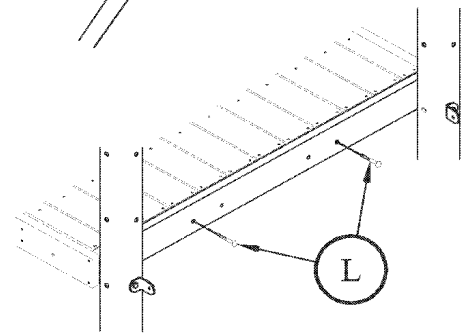
9. **Attach two Net "L" Brackets (Q)** to the  
Vertical Columns at platform height using  
hardware (O)(V).



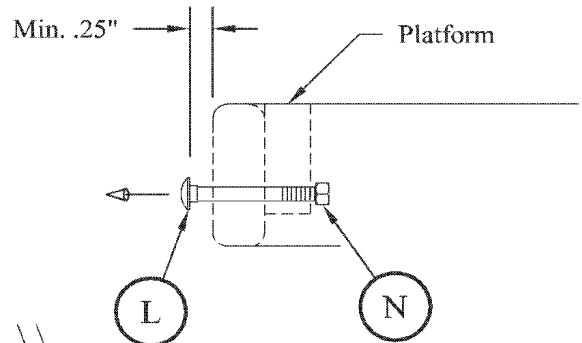
10. Attach Entry Rope (C) and Cargo Net (A) to Support Bracket (F) as shown.



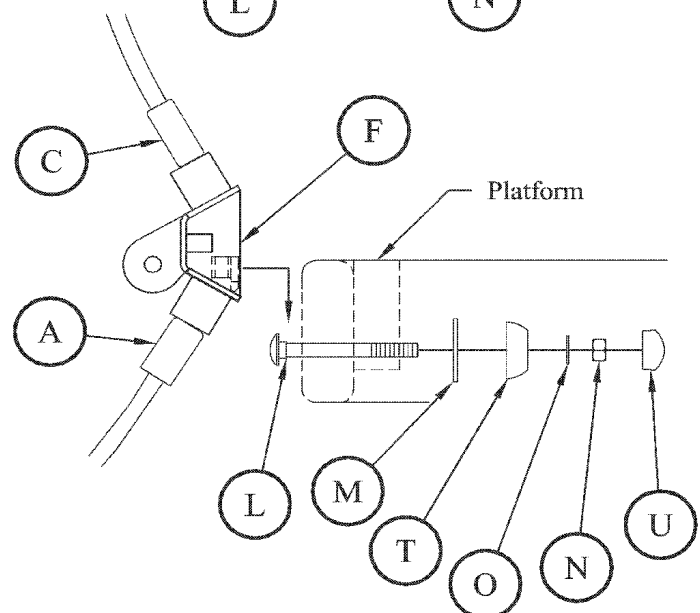
11. Insert two Carriage Bolts (L) into the platform holes at the location shown and loosely secure with Nut (N).



12. Gently pull the Carriage Bolt (L) away from the platform to create a minimum gap of 0.25 inch between the front face of the platform and the inside face of the bolt head.



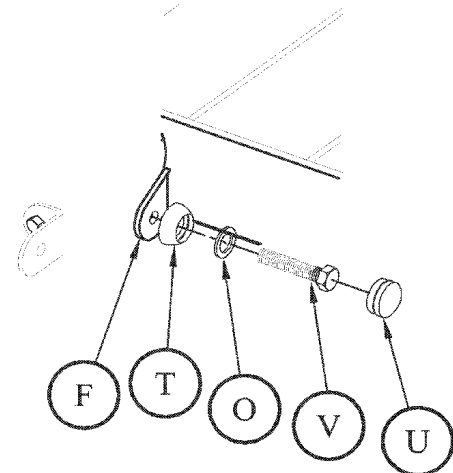
13. Slide the Net Support Bracket (F) onto bolt (L) and loosely secured in place with hardware (M)(T)(O)(N)(U) as shown.  
*Note: Do not install Do-nut Caps at this time.*



**IMPORTANT!** Do not install Do-nut Caps at this time.

14. **Align the hole on the ear of the Support Bracket (F)** with the Threaded Insert already installed in the vertical column and tightly secured in place using hardware (T)(O)(V)(U).

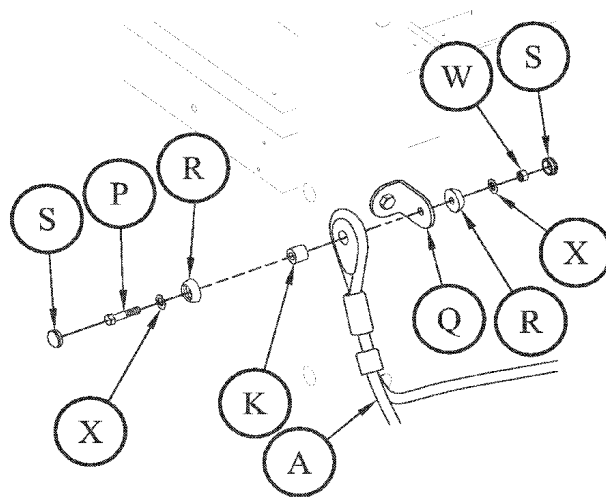
15. **Tighten up the attachment of Support Bracket and the platform from the previous step.**



16. **Attach the outside Cargo Net ropes (A)** to the installed "L" Brackets (Q) using hardware (S)(P)(R)(X)(K)(X)(W) as shown.



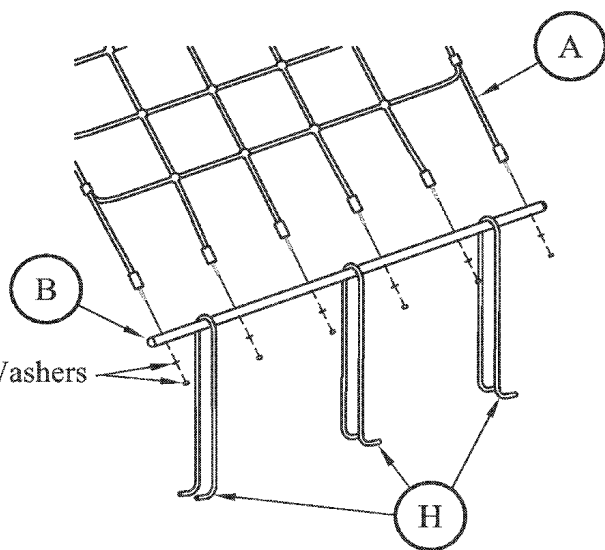
**IMPORTANT!** All exposed bolts with more than 2 threads must be trimmed and peened.



17. **Attach the Cargo Net Anchor (B)** to the lower end of the Cargo Net (A) using the remaining 10mm Locknuts and Washers.

18. **Place the three Chain Anchors (H)** over the Cargo Net Anchor (B) for concrete footing as shown in the following step.

10mm Locknuts and Washers

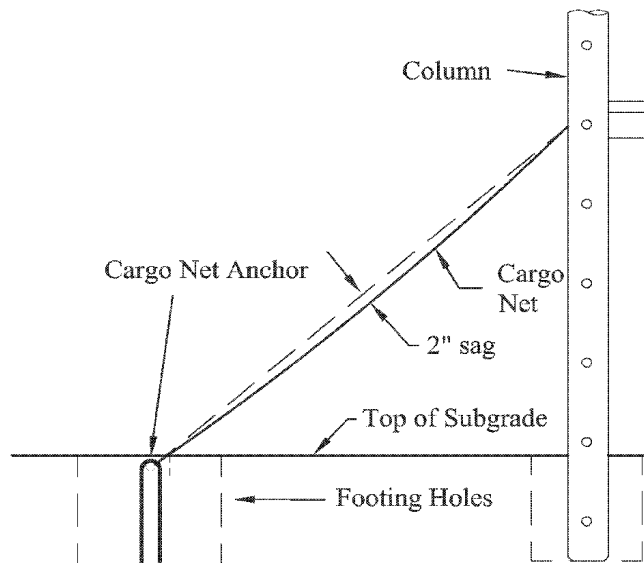
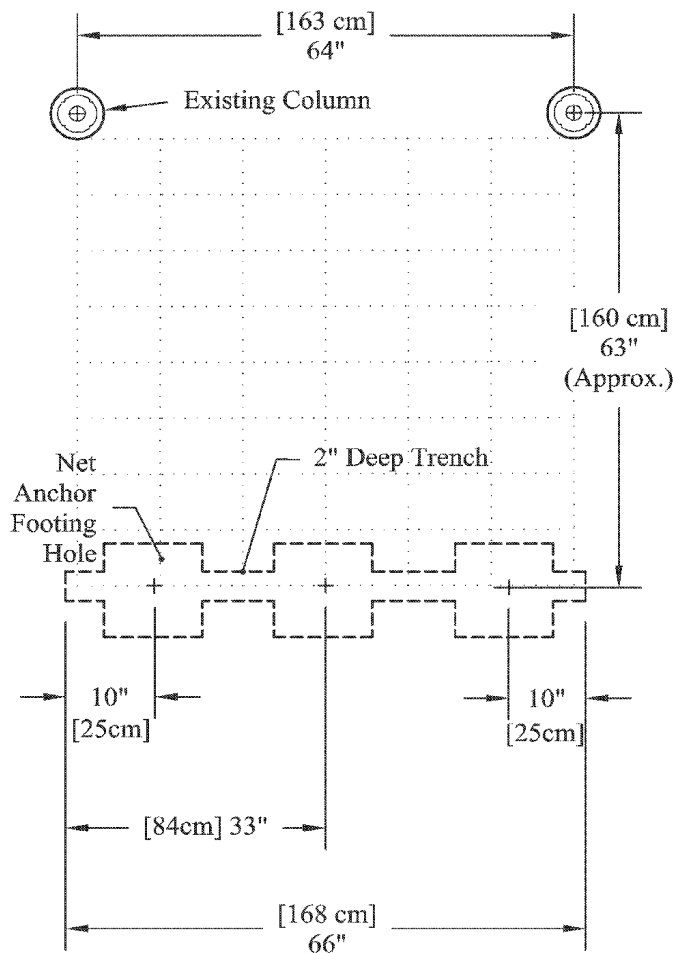


19. Dig three footing holes (22" wide x 22" long x 18" deep) and a trench 2" deep as shown.

*Note: Make sure there is a 2" sag when the net is stretched out.*



*Make sure the entire structure is plumb and level before filling footing holes with concrete.*



Footing Layout

## M59-032 BigWheel for Column (Metal) 59-032 BigWheel for Column (Wood)

Parts List			
DESCRIPTION	M59-032	59-032	PART NUMBER
BIGWHEEL ASS'Y	1	1	401545
PIPE	1	1	402691
<b>HARDWARE COMPLETE</b>	1	0	311776
<b>HARDWARE COMPLETE</b>	0	1	311777
PIPE MOUNT BODY - 1"	1	1	404153
PIPE MOUNT CAP - 1"	1	1	404154
1/2" THREADED INSERT	1	0	M000
EAGLE FASTENER	0	1	G000
BIGWHEEL HUB CASTING	1	1	402329
1/2" x 2 1/2" HEX HEAD BOLT	1	1	801225
1/2" LOCKWASHER	1	1	817342
1/2" x 1/2" SET SCREW	1	1	811559
3/8" x 2" SOCKET HEAD CAP SCREW SS	1	1	816087

*Unless Otherwise Specified, All Units of Measure are Each  
Items listed below Hardware Complete line are included with Hardware Complete Number*

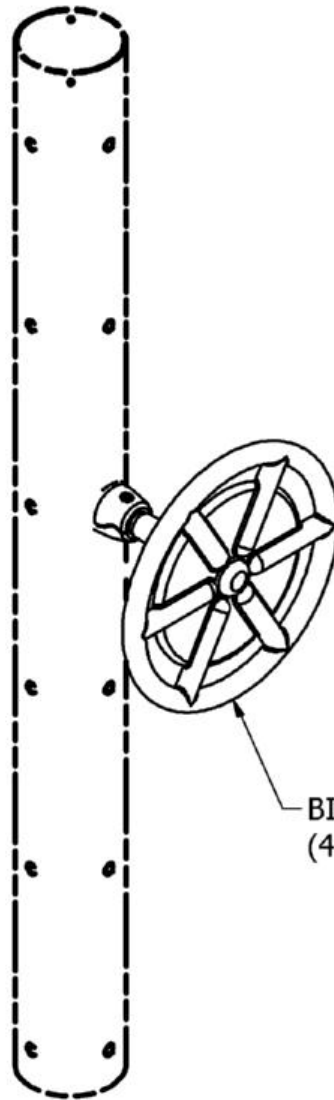
**Warning: During Installation, Hardware And Small Parts Are Choking Hazards For Young Children. Store Unused Parts Appropriately Until Assembly Is Completed. Once Assembly Is Completed, Remove Any Unused Parts From The Play Environment And Dispose/Save Them In A Secure Location. Any bolt end protruding more than two full threads beyond the face of the nut causes risk of clothing entanglement. Promptly cut-off flush, file smooth, and treat to prevent corrosion.**

**Note: Peen Tee-Nuts and Flatwashers to match radius of pipe after assembly is complete.  
Note: Loctite (supplied by others) should be used on any non-patch hardware.**

### **INSTALLATION INSTRUCTIONS:**

1. Determine the location of BigWheel Ass'y.
2. Install 1/2" Threaded Insert or Eagle Fastener at proper locations on column. (Refer to the Installation Prolog for typical Threaded Insert Installation)
3. Attach Pipe Mount Body to Column using 1/2" x 2 1/2" Hex Head Bolt and 1/2" Lock Washer. See Detail 109.
4. Insert Pipe all the way down in BigWheel Hub Casting. Fasten with 1/2" x 1/2" Set Screw. Orientation of pipe is critical. See Detail 109.
5. Insert BigWheel Ass'y into the other end of Pipe all the way until BigWheel Hub Casting is inside BigWheel Counter Sink Hole. See Detail 109.
6. Insert Pipe Shaft into Pipe Mount Body and attach using 3/8" x 2" Socket Head Cap Screw. See Detail 109.
7. Plumb and level the entire assembly and tighten all fasteners.
8. When the structure is finished and satisfactory, eliminate sharp points and sharp edges (burring) on installed hardware like bolts, nuts, etc. Install resilient surfacing material within the use zone of play structure in accordance with ASTM specifications F1292 appropriate for the fall height of each structure. Refer to the Safety Guidelines.

M59-032 BigWheel for Column (Metal)  
59-032 BigWheel for Column (Wood)



COMPONENTS SHOWN IN  
HIDDEN LINES ARE SOLD SEPARATELY

BIGWHEEL ASS'Y  
(401545)

**FINISHED ASSEMBLY**

 = INSTALLATION DETAIL

Issued/Revised: 07/25/18

**BigToys**<sup>®</sup>

A PLAYCORE Company

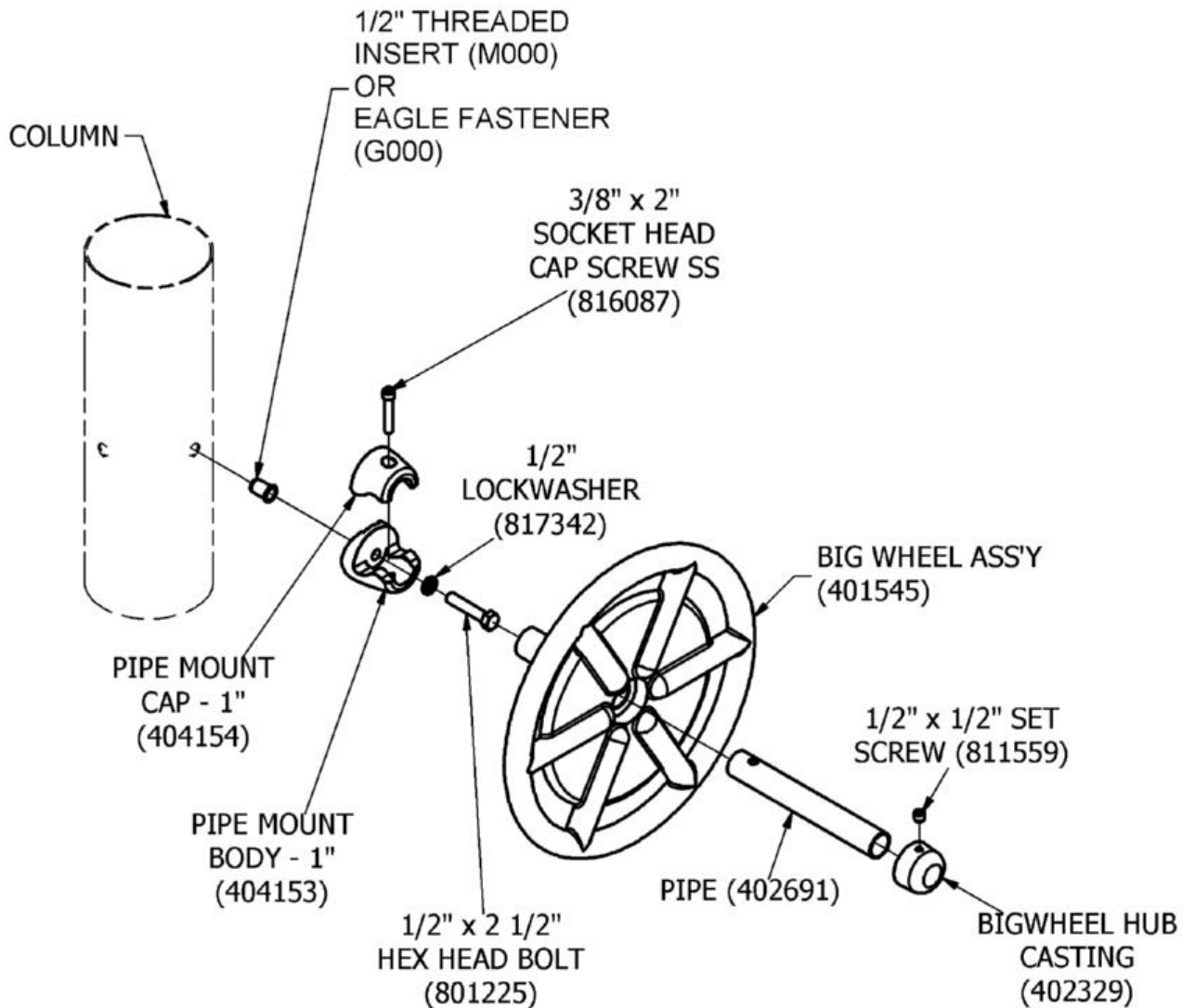
SHEET 2 OF 3

1-866-814-8697

bigtoys.com

M59-032 BigWheel for Column (Metal)  
59-032 BigWheel for Column (Wood)

109





## M59-035 Whistle - BT (Metal) 59-035 Whistle - BT (Wood)

Parts List			
DESCRIPTION	M59-035	59-035	PART NUMBER
WHISTLE ASSEMBLY	1	1	402781
--- HARDWARE COMPLETE ---	1	0	404467
--- HARDWARE COMPLETE ---	0	1	402782
1/2" THREADED INSERT	2	0	M000
1/2" x 2 1/2" HEX HEAD BOLT (FULL THREAD)	2	2	801225
PIPE MOUNT BODY - 1"	2	2	404153
PIPE MOUNT CAP - 1"	2	2	404154
1/2" LOCKWASHER	2	2	817342
3/8-16 x 2" SOCKET HEAD CAP SCREW SS	2	2	816087
EAGLE FASTENER	0	2	G000

*Unless Otherwise Specified, All Units of Measure are Each*

*Items listed below Hardware Complete line are included with Hardware Complete Number*

**Warning: During Installation, Hardware And Small Parts Are Choking Hazards For Young Children. Store Unused Parts Appropriately Until Assembly Is Completed. Once Assembly Is Completed, Remove Any Unused Parts From The Play Environment And Dispose/Save Them In A Secure Location. Any bolt end protruding more than two full threads beyond the face of the nut causes risk of clothing entanglement. Promptly cut-off flush, file smooth, and treat to prevent corrosion.**

**Note: Peen Tee-Nuts and Flatwashers to match radius of pipe after assembly is complete.**

**Note: Loctite (supplied by others) should be used on any non-patch hardware.**

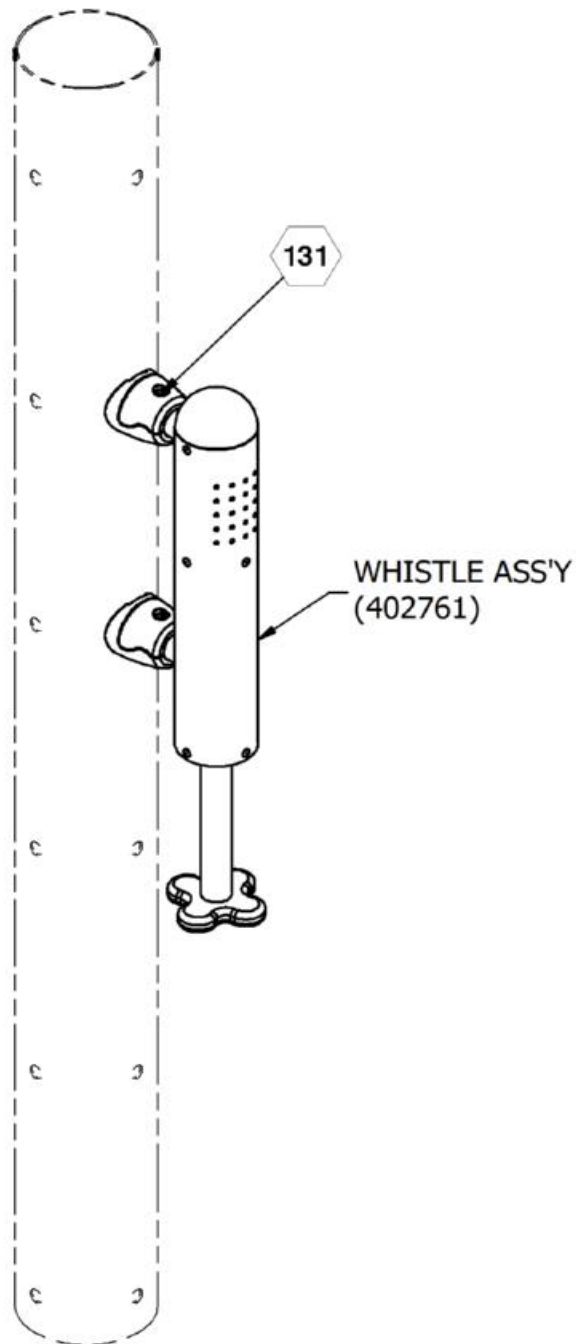
### **INSTALLATION INSTRUCTIONS:**

1. Determine the location of Whistle Ass'y.
2. Install 1/2" Threaded Insert or Eagle Fastener at proper locations on column. (Refer to the Installation Prolog for typical Threaded Insert (M000) or Eagle Fastener (G000) Installation)
3. Attach (2) Pipe Mount Body to Column using 1/2" x 2 1/2" Hex Head Bolts and 1/2" Lock Washers. See Detail 131.
4. Insert Pipe stubs on Whistle Ass'y. into the two Pipe Mount Bodies. See Detail 131.
5. Insert (1) 3/8" x 2" Flat Head Socket Cap Screw through each of the two ea. Pipe Mount Caps and the holes in the Pipe Stubs on the Whistle Ass'y., and thread into the Pipe Mount Bodies. See Detail 131.
6. Plumb and level the entire assembly and tighten all fasteners.
7. When the structure is finished and satisfactory, eliminate sharp points and sharp edges (burring) on installed hardware like bolts, nuts, etc. Install resilient surfacing material within the use zone of play structure in accordance with ASTM specifications F1292 appropriate for the fall height of each structure. Refer to the *Safety Guidelines*.

### **MAINTENANCE PROCEDURE:**

Periodically check hardware for tightness, and tighten as necessary. Always check all parts for breakage or wear, and immediately put equipment out of service until any faulty parts found are repaired or replaced. Also Check all metal parts for rust, paint loss and touch-up if necessary with paint. Check for welded areas and verify integrity. Check periodically resilient surfacing for appropriate depth and remove extraneous materials that could cause injury, infection, or disease. Maintain detailed installation, inspection, maintenance, and repair records for each public-use playground equipment.

M59-035 Whistle - BT (Metal)  
59-035 Whistle - BT (Wood)



COMPONENTS SHOWN IN  
HIDDEN LINES ARE SOLD SEPARATELY

 = INSTALLATION DETAIL

**FINISHED ASSEMBLY**

Issued/Revised: 11/06/2012

**BigToys**<sup>®</sup>

A PLAYCORE Company

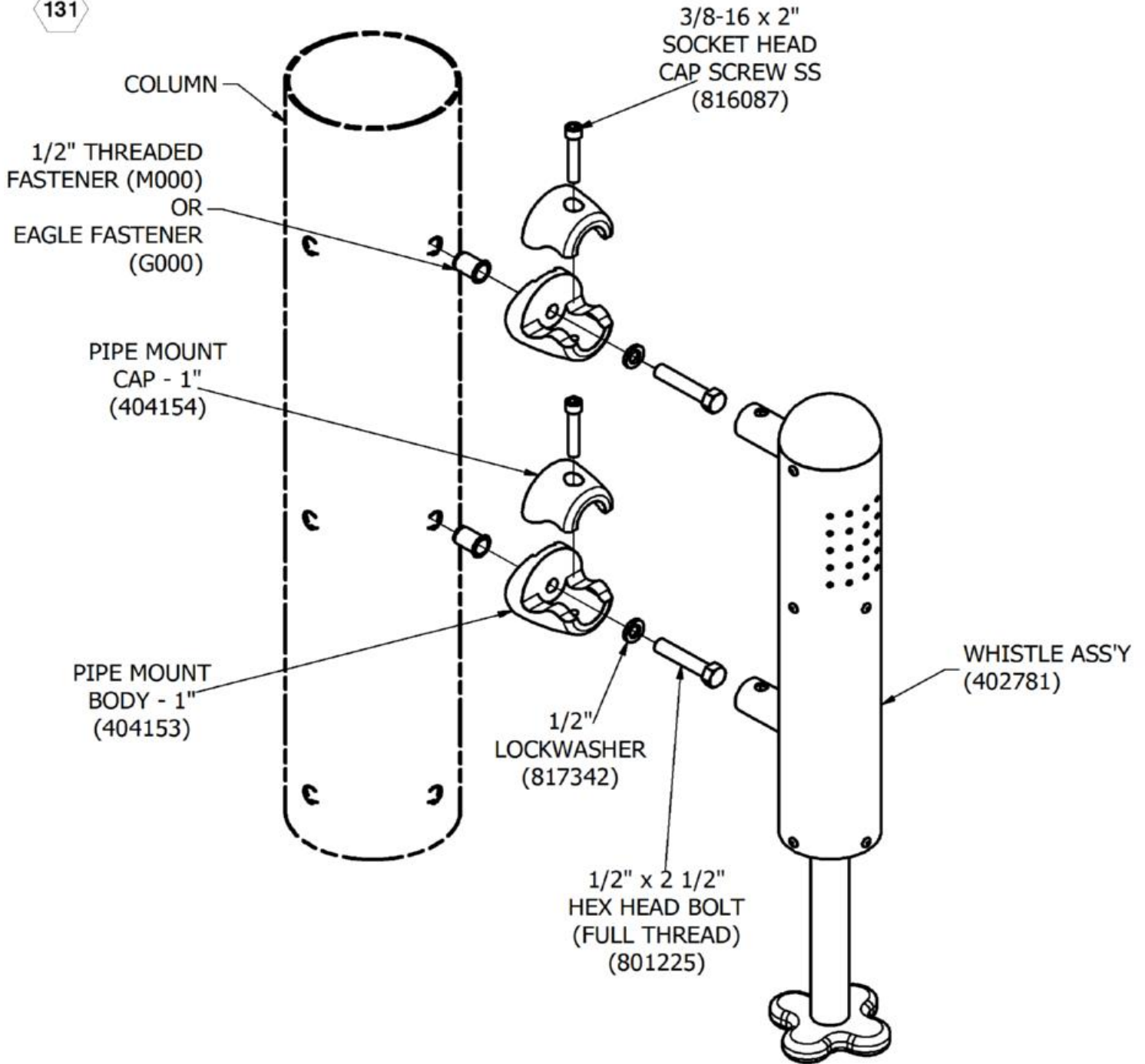
SHEET 2 OF 3

1-866-814-8697

bigtoys.com

M59-035 Whistle - BT (Metal)  
59-035 Whistle - BT (Wood)

131





11-004 - #1 PLAYSHELL ARCH  
 11-005 - #2 PLAYSHELL ARCH  
 11-006 - #3 PLAYSHELL ARCH  
 11-007 - #4 PLAYSHELL ARCH  
 11-008 - #5 PLAYSHELL ARCH

R345SL - 42" SLEEVE  
 R347SL - 54" SLEEVE  
 R349SL - 66" SLEEVE  
 R351SL - 78" SLEEVE  
 R353SL - 90" SLEEVE

Parts List												
DESCRIPTION	11-004	11-005	11-006	11-007	11-008	R345SL	R347SL	R349SL	R351SL	R353SL	PART NUMBER	
#1 PLAYSHELL ARCH	1	0	0	0	0	0	0	0	0	0	402247	
#2 PLAYSHELL ARCH	0	1	0	0	0	0	0	0	0	0	402248	
#3 PLAYSHELL ARCH	0	0	1	0	0	0	0	0	0	0	402499	
#4 PLAYSHELL ARCH	0	0	0	1	0	0	0	0	0	0	R687	
#5 PLAYSHELL ARCH	0	0	0	0	1	0	0	0	0	0	R718	
SLIDE POLE	0	0	0	0	1	0	0	0	0	0	401857	
42" LG. PLAYSHELL SLEEVE	0	0	0	0	0	1	0	0	0	0	R345	
54" LG. PLAYSHELL SLEEVE	0	0	0	0	0	0	1	0	0	0	401716	
66" LG. PLAYSHELL SLEEVE	0	0	0	0	0	0	0	1	0	0	401715	
78" LG. PLAYSHELL SLEEVE	0	0	0	0	0	0	0	0	1	0	R351	
90" LG. PLAYSHELL SLEEVE	0	0	0	0	0	0	0	0	0	1	R353	
<b>HARDWARE COMPLETE</b>	1	1	1	1	1	0	0	0	0	0	404674	
STOP CASTING ASSEMBLY	2	2	2	2	2	0	0	0	0	0	402250*	
PLASTIC COLLAR	2	2	2	2	2	0	0	0	0	0	402251*	
STOP COLLAR	2	2	2	2	2	0	0	0	0	0	G425*	
3/8" x 2" HEX HEAD BOLT	2	2	2	2	2	0	0	0	0	0	801007*	
3/8" LOCK NUT	2	2	2	2	2	0	0	0	0	0	804353*	
ANCHOR ROD	2	2	2	2	2	0	0	0	0	0	402121*	

Unless Otherwise Specified, All Units of Measure are Each

\*Items listed below Hardware Complete line are included with Hardware Complete Number

**Warning: During Installation, Hardware And Small Parts Are Choking Hazards For Young Children. Store Unused Parts Appropriately Until Assembly Is Completed. Once Assembly Is Completed, Remove Any Unused Parts From The Play Environment And Dispose/Save Them In A Secure Location. Any bolt end protruding more than two full threads beyond the face of the nut causes risk of clothing entanglement.**

**Promptly cut-off flush, file smooth, and treat to prevent corrosion.**

**Note: Peen Tee-Nuts and Flatwashers to match radius of pipe after assembly is complete.**

**Note: Loctite (supplied by others) should be used on any non-patch hardware.**

11-004 - #1 PLAYSHELL ARCH	R345SL - 42" SLEEVE
11-005 - #2 PLAYSHELL ARCH	R347SL - 54" SLEEVE
11-006 - #3 PLAYSHELL ARCH	R349SL - 66" SLEEVE
11-007 - #4 PLAYSHELL ARCH	R351SL - 78" SLEEVE
11-008 - #5 PLAYSHELL ARCH	R353SL - 90" SLEEVE

## **INSTALLATION INSTRUCTIONS:**

1. Refer to top view for locations and playshell orientation.
2. Slide Playshell, Stop Collar, Plastic Collar and Stop Casting Assembly over correct Playshell Arch. See Detail 170. Do not tighten set screws included with Stop Collar & Stop Casted Assembly. *NOTE: You may have to slide more than 1 playshell over a single side of the Playshell arch.*
3. Attach correct Playshell Sleeve to correct Playshell Arch using 3/8" x 2" Hex Head Bolt and 3/8" Lock Nut. See Detail 172.
4. Slide the Plastic Collar and Stop Collar down the Playshell Arch until it sits on top of the Playshell Sleeve. Tighten the set screw included with the Stop Collar. See Detail 170.
5. Slide the playshell & Stop Casting Assembly up to the Plastic Collar and tighten the set screw included with the Stop Casting Assembly. See Detail 170.
6. Insert Anchor Rods through the bottom hole of the Playshell Sleeve.
7. Plumb and level the entire assembly and tighten all fasteners.
8. After entire unit is assembled, pour concrete footings within 4" to the top and taper away from post for water drainage. Allow to cure at least 48 hours before use. Temporary bracing may be required until concrete cures.
9. When the structure is finished and satisfactory, eliminate sharp points and sharp edges (burring) on installed hardware like bolts, nuts etc. Install resilient surfacing material within the use zone of play structure in accordance with ASTM specifications F1292 appropriate for the fall height of each structure. Refer to the safety guidelines.

**IMPORTANT!** Avoid creating any gaps between the components which fall between 3-1/2" and 9". It has been shown that such gaps create entrapment points which can trap a child and cause injury.

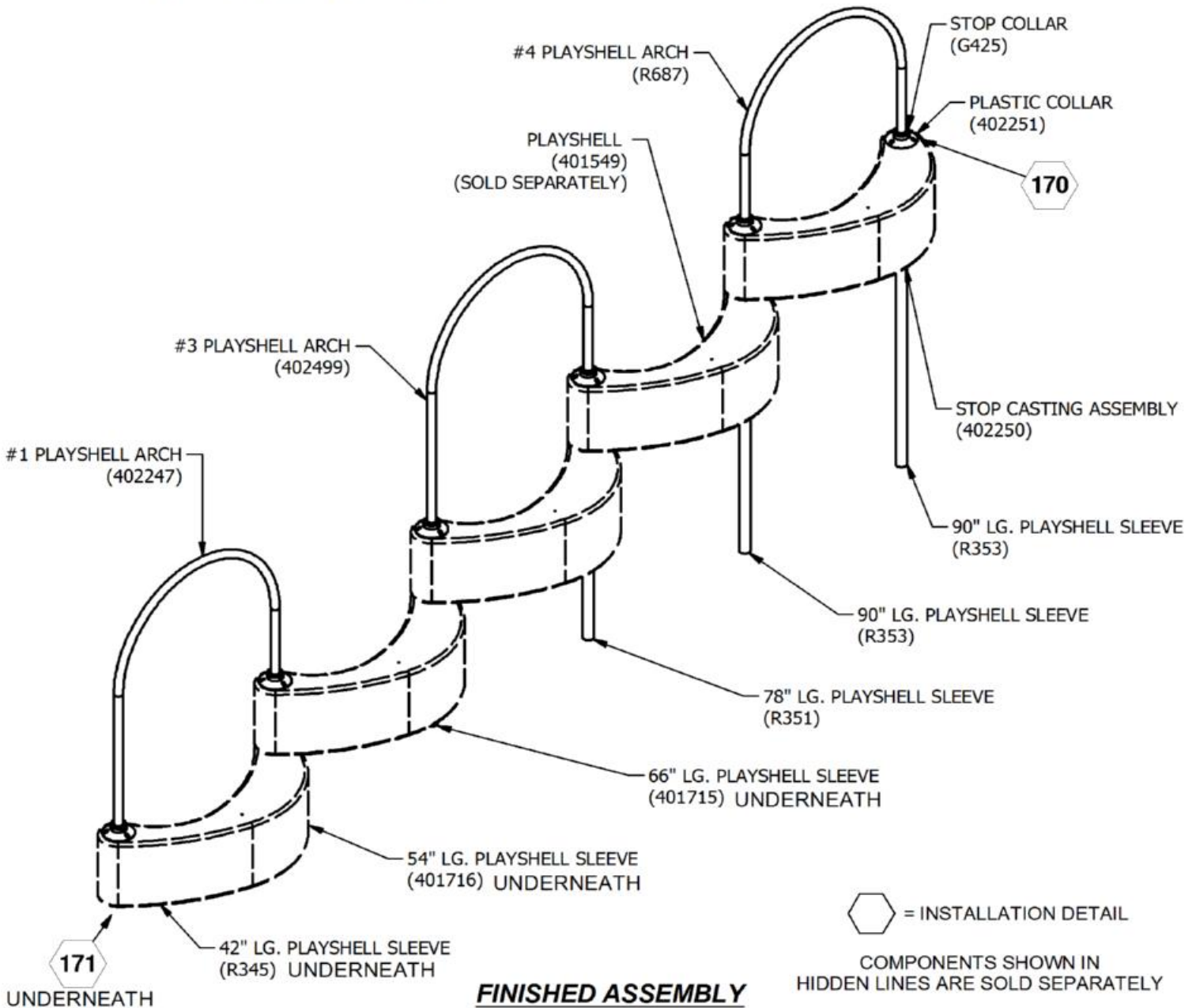
## **MAINTENANCE PROCEDURE:**

Periodically check hardware for tightness, and tighten as necessary. Always check all parts for breakage or wear, and immediately put equipment out of service until any faulty parts found are repaired or replaced. Also Check all metal parts for rust, paint loss and touch-up if necessary with paint. Check for welded areas and verify integrity. Check periodically resilient surfacing for appropriate depth and remove extraneous materials that could cause injury, infection, or disease. Maintain detailed installation, inspection, maintenance, and repair records for each public-use playground equipment.

11-004 - #1 PLAYSHELL ARCH  
 11-005 - #2 PLAYSHELL ARCH  
 11-006 - #3 PLAYSHELL ARCH  
 11-007 - #4 PLAYSHELL ARCH  
 11-008 - #5 PLAYSHELL ARCH

R345SL - 42" SLEEVE  
 R347SL - 54" SLEEVE  
 R349SL - 66" SLEEVE  
 R351SL - 78" SLEEVE  
 R353SL - 90" SLEEVE

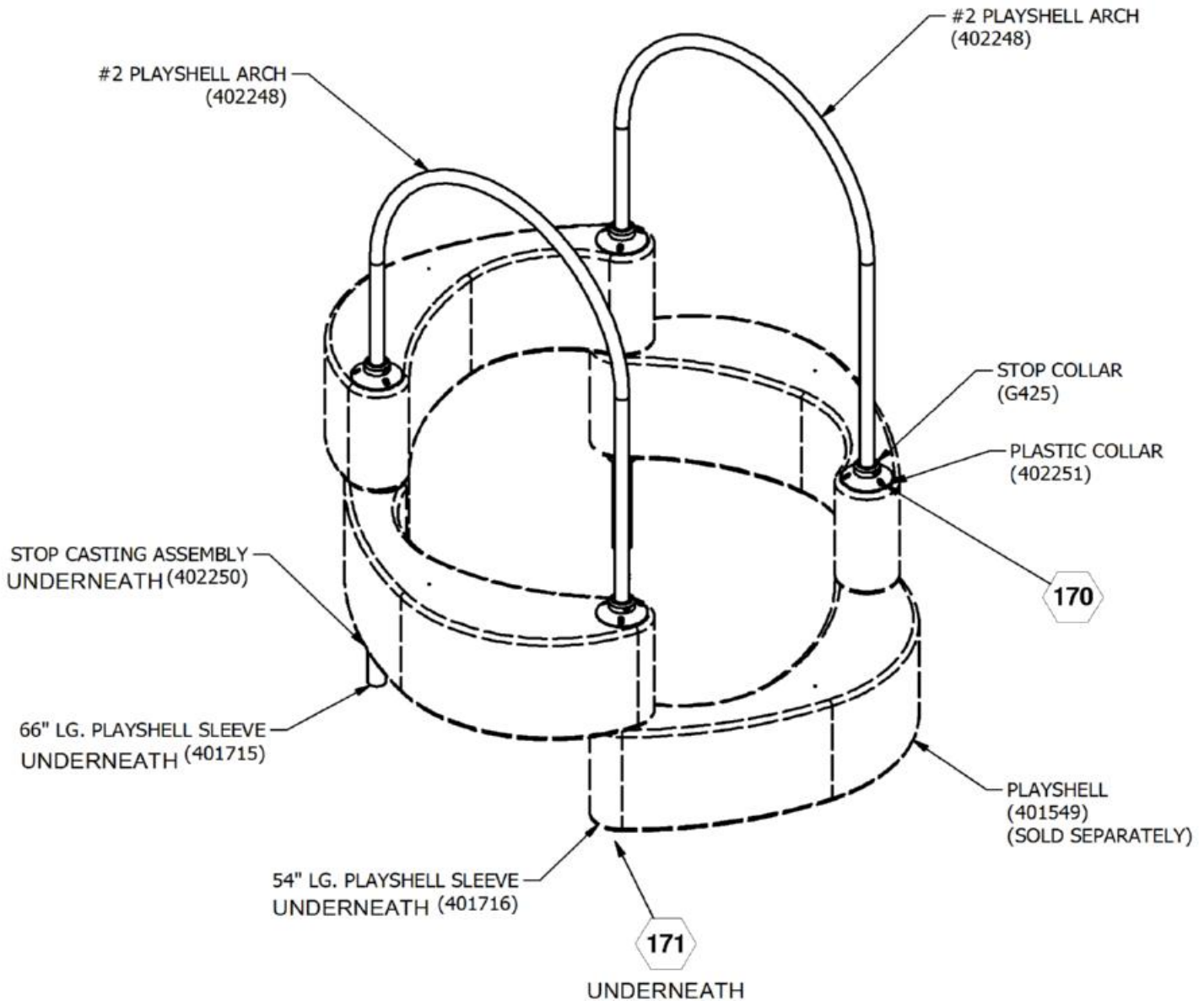
**NOTE:** CONFIGURATION WILL VARY.  
 REFER TO TOP VIEW FOR LOCATIONS  
 AND PLAYSHELL ORIENTATIONS.



**FINISHED ASSEMBLY**

11-004 - #1 PLAYSHELL ARCH  
 11-005 - #2 PLAYSHELL ARCH  
 11-006 - #3 PLAYSHELL ARCH  
 11-007 - #4 PLAYSHELL ARCH  
 11-008 - #5 PLAYSHELL ARCH

R345SL - 42" SLEEVE  
 R347SL - 54" SLEEVE  
 R349SL - 66" SLEEVE  
 R351SL - 78" SLEEVE  
 R353SL - 90" SLEEVE



**NOTE:** CONFIGURATION WILL VARY.  
 REFER TO TOP VIEW FOR LOCATIONS  
 AND PLAYSHELL ORIENTATIONS.

Issued/Revised: 4/30/2014

**FINISHED ASSEMBLY**

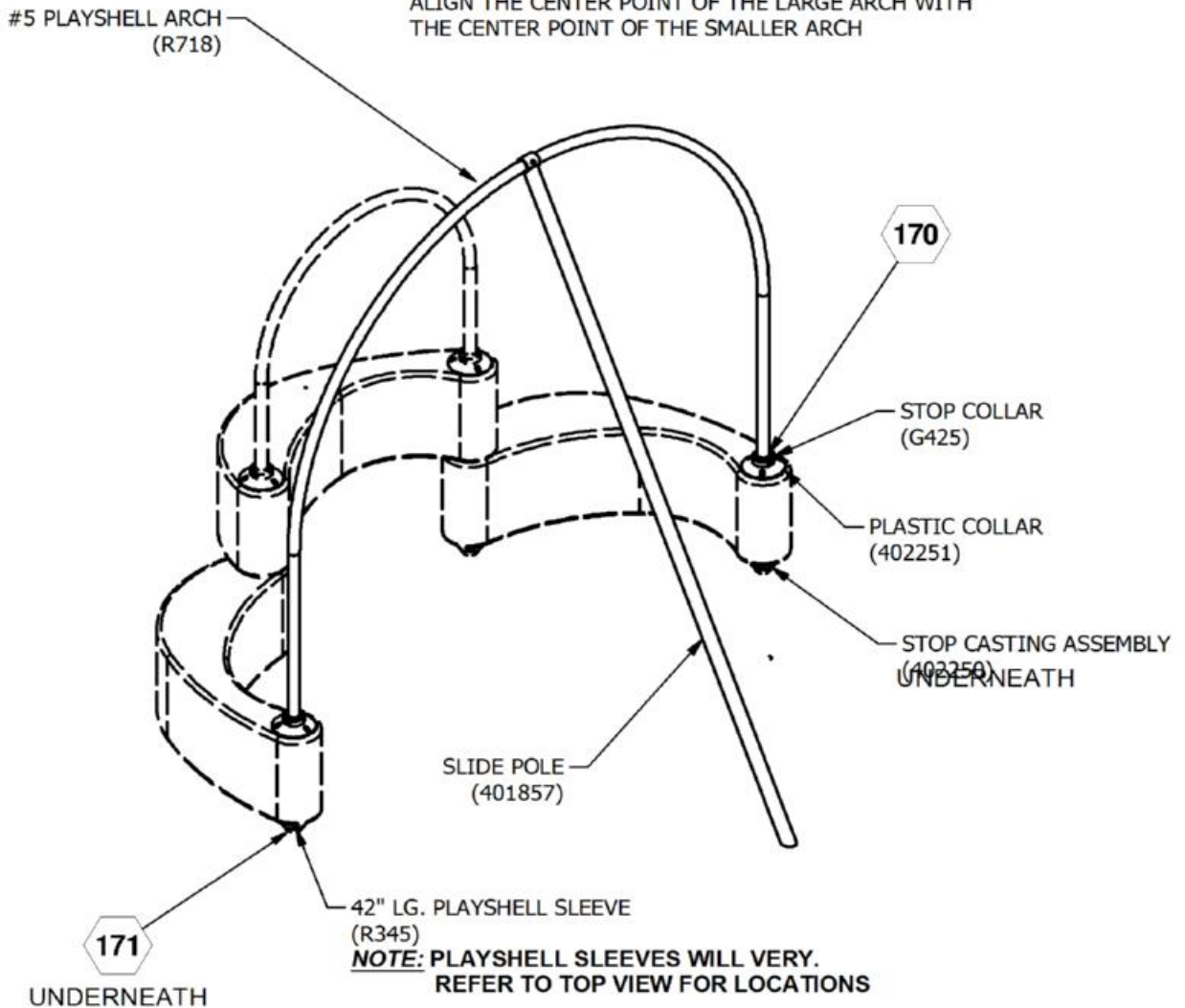
= INSTALLATION DETAIL

COMPONENTS SHOWN IN  
 HIDDEN LINES ARE SOLD SEPARATELY

11-004 - #1 PLAYSHELL ARCH  
 11-005 - #2 PLAYSHELL ARCH  
 11-006 - #3 PLAYSHELL ARCH  
 11-007 - #4 PLAYSHELL ARCH  
 11-008 - #5 PLAYSHELL ARCH

R345SL - 42" SLEEVE  
 R347SL - 54" SLEEVE  
 R349SL - 66" SLEEVE  
 R351SL - 78" SLEEVE  
 R353SL - 90" SLEEVE

**IMPORTANT:** TO LOCATE THE CORECT HEIGHT OF #5 PLAYSHELL ARCH;  
 ALIGN THE CENTER POINT OF THE LARGE ARCH WITH  
 THE CENTER POINT OF THE SMALLER ARCH



= INSTALLATION DETAIL

**NOTE:** CONFIGURATION WILL VARY.  
 REFER TO TOP VIEW FOR LOCATIONS  
 AND PLAYSHELL ORIENTATIONS.

**FINISHED ASSEMBLY**

COMPONENTS SHOWN IN  
 HIDDEN LINES ARE SOLD SEPARATELY

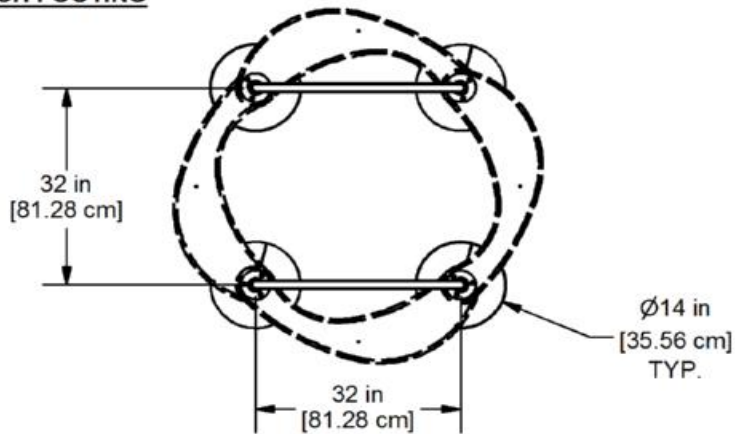


11-004 - #1 PLAYSHELL ARCH  
 11-005 - #2 PLAYSHELL ARCH  
 11-006 - #3 PLAYSHELL ARCH  
 11-007 - #4 PLAYSHELL ARCH  
 11-008 - #5 PLAYSHELL ARCH

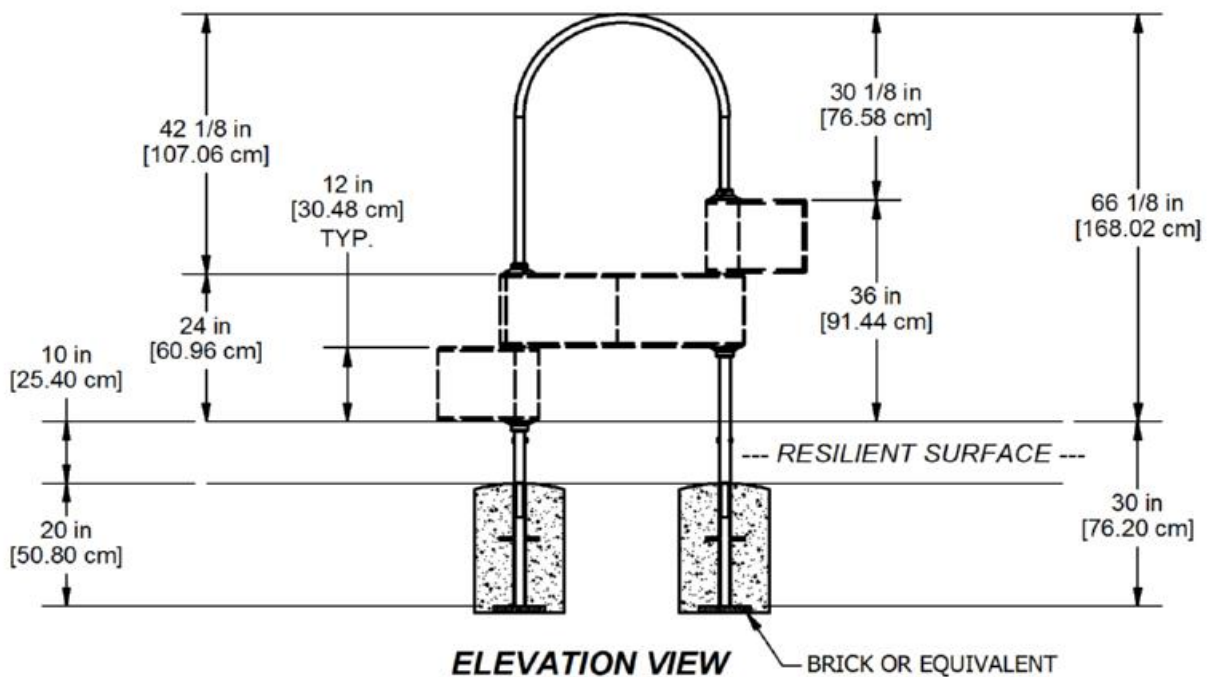
R345SL - 42" SLEEVE  
 R347SL - 54" SLEEVE  
 R349SL - 66" SLEEVE  
 R351SL - 78" SLEEVE  
 R353SL - 90" SLEEVE

**CONCRETE REQUIRED FOR EACH FOOTING**

.066 CUBIC YARDS  
 .05 [CUBIC METERS]

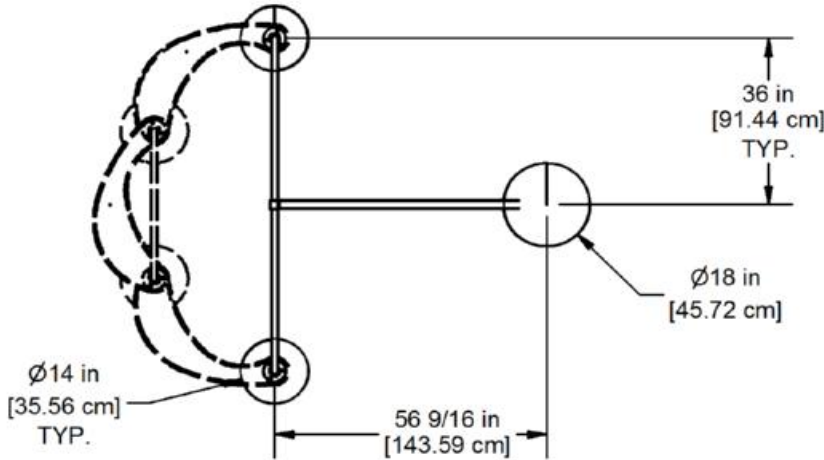


**IMPORTANT:** Some installations require the first playshell to be installed 6" below surface grade. If this is the case please lower the entire Playshell assembly 6", including Playshell Arches, Playshells and Sleeves.



- 11-004 - #1 PLAYSHELL ARCH
- 11-005 - #2 PLAYSHELL ARCH
- 11-006 - #3 PLAYSHELL ARCH
- 11-007 - #4 PLAYSHELL ARCH
- 11-008 - #5 PLAYSHELL ARCH

- R345SL - 42" SLEEVE
- R347SL - 54" SLEEVE
- R349SL - 66" SLEEVE
- R351SL - 78" SLEEVE
- R353SL - 90" SLEEVE

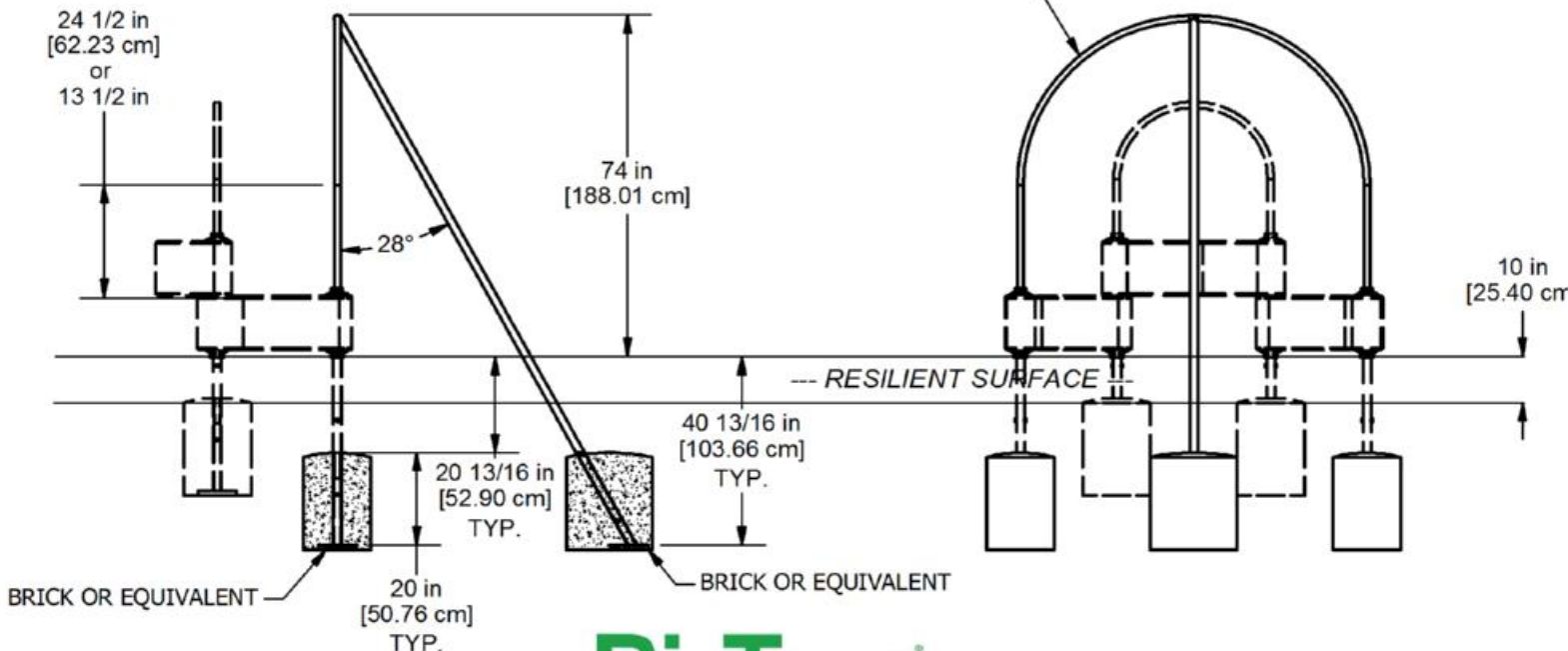


**CONCRETE REQUIRED FOR 14" DIA. FOOTING**  
 .066 CUBIC YARDS  
 .05 [CUBIC METERS]

**CONCRETE REQUIRED FOR 18" DIA. FOOTING**  
 .109 CUBIC YARDS  
 .083 [CUBIC METERS]

**IMPORTANT:** Some installations require the first playshell to be installed 6" below surface grade. If this is the case please lower the entire Playshell assembly 6", including Playshell Arches, Playshells and Sleeves.

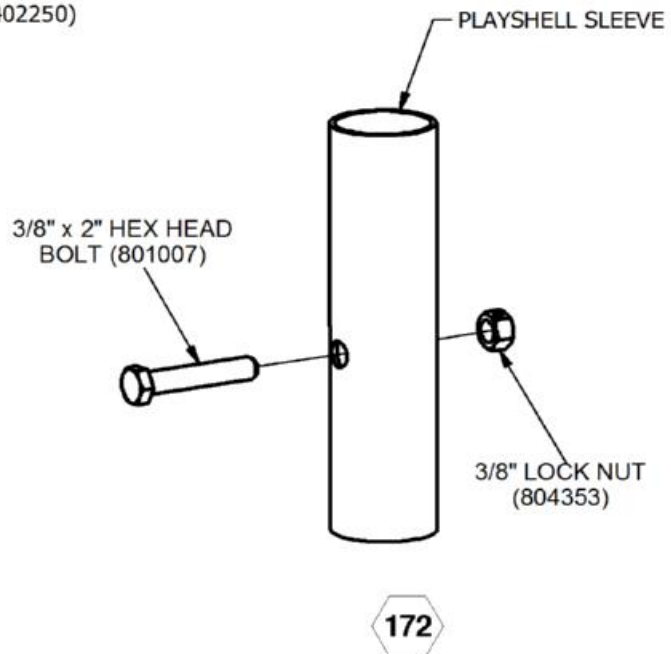
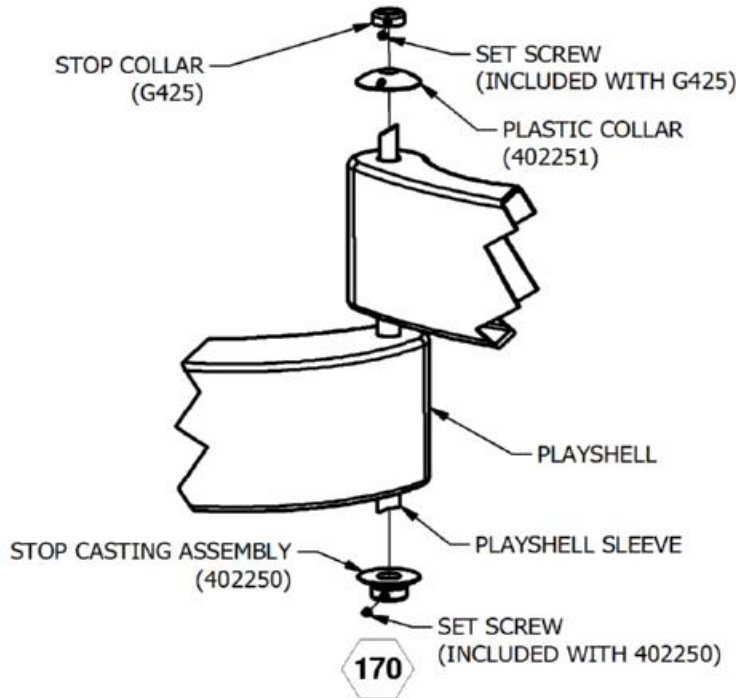
**IMPORTANT:** TO LOCATE THE CORRECT HEIGHT OF #5 PLAYSHELL ARCH; ALIGN THE CENTER POINT OF THE LARGE ARCH WITH THE CENTER POINT OF THE SMALLER ARCH



Issued/Revised: 4/30/2014

11-004 - #1 PLAYSHELL ARCH  
11-005 - #2 PLAYSHELL ARCH  
11-006 - #3 PLAYSHELL ARCH  
11-007 - #4 PLAYSHELL ARCH  
11-008 - #5 PLAYSHELL ARCH

R345SL - 42" SLEEVE  
R347SL - 54" SLEEVE  
R349SL - 66" SLEEVE  
R351SL - 78" SLEEVE  
R353SL - 90" SLEEVE







A PLAYCORE Company

## M11-018 Playshell Double Seat - (Metal) 11-018 Playshell Double Seat - (Wood)

Parts List			
DESCRIPTION	M11018 (Metal)	11018 (Wood)	PART NUMBER
PLAYSHELL 1	1	1	401548
PLAYSHELL 2	1	1	402338
PIPE, 39" LG	2	2	402799
PIPE, STRAIGHT 3'-5" LG	2	2	402372
PIPE, STRAIGHT 2'-5" LG	1	1	R105
--- HARDWARE COMPLETE ---	1	0	402800
--- HARDWARE COMPLETE ---	0	1	402801
PIPE MOUNT BODY - 1"	4	4	404153
PIPE MOUNT CAP - 1"	4	4	404154
1/2" FLAT WASHER	4	4	817412
1/2" x 1-3/4" HEX HEAD BOLT	4	0	801206
BOLT TAP 1/2"-13 X 2-1/2" NC PLTD	0	4	801225
PLAYSHELL COLLAR, PLASTIC	6	6	402251
PLAYSHELL STOP COLLAR	4	4	G425
KK/15-5 (STEEL) ELBOW 90 DEG	2	2	401623
1/2" x 1/2" SET SCREW	8	8	811559
3/8" x 2" SOCKET HEAD CAP SCREW SS	4	4	816087
1/2" THREADED INSERT	4	0	M000
EAGLE FASTENER	0	4	G000

Unless Otherwise Specified, All Units of Measure are Each

Items listed below Hardware Complete line are included with Hardware Complete Number

**Warning: During Installation, Hardware And Small Parts Are Choking Hazards For Young Children. Store Unused Parts Appropriately Until Assembly Is Completed. Once Assembly Is Completed, Remove Any Unused Parts From The Play Environment And Dispose/Save Them In A Secure Location. Any bolt end protruding more than two full threads beyond the face of the nut causes risk of clothing entanglement.**

**Promptly cut-off flush, file smooth, and treat to prevent corrosion.**

**Note: Peen Tee-Nuts and Flatwashers to match radius of pipe after assembly is complete.**

**Note: Loctite (supplied by others) should be used on any non-patch hardware.**

### **MAINTENANCE PROCEDURE:**

Periodically check hardware for tightness, and tighten as necessary. Always check all parts for breakage or wear, and immediately put equipment out of service until any faulty parts found are repaired or replaced. Also Check all metal parts for rust, paint loss and touch-up if necessary with paint. Check for welded areas and verify integrity. Check periodically resilient surfacing for appropriate depth and remove extraneous materials that could cause injury, infection, or disease. Maintain detailed installation, inspection, maintenance, and repair records for each public-use playground equipment.



A PLAYCORE Company



A PLAYCORE Company

## *M11-018 Playshell Double Seat - (Metal)* *11-018 Playshell Double Seat - (Wood)*

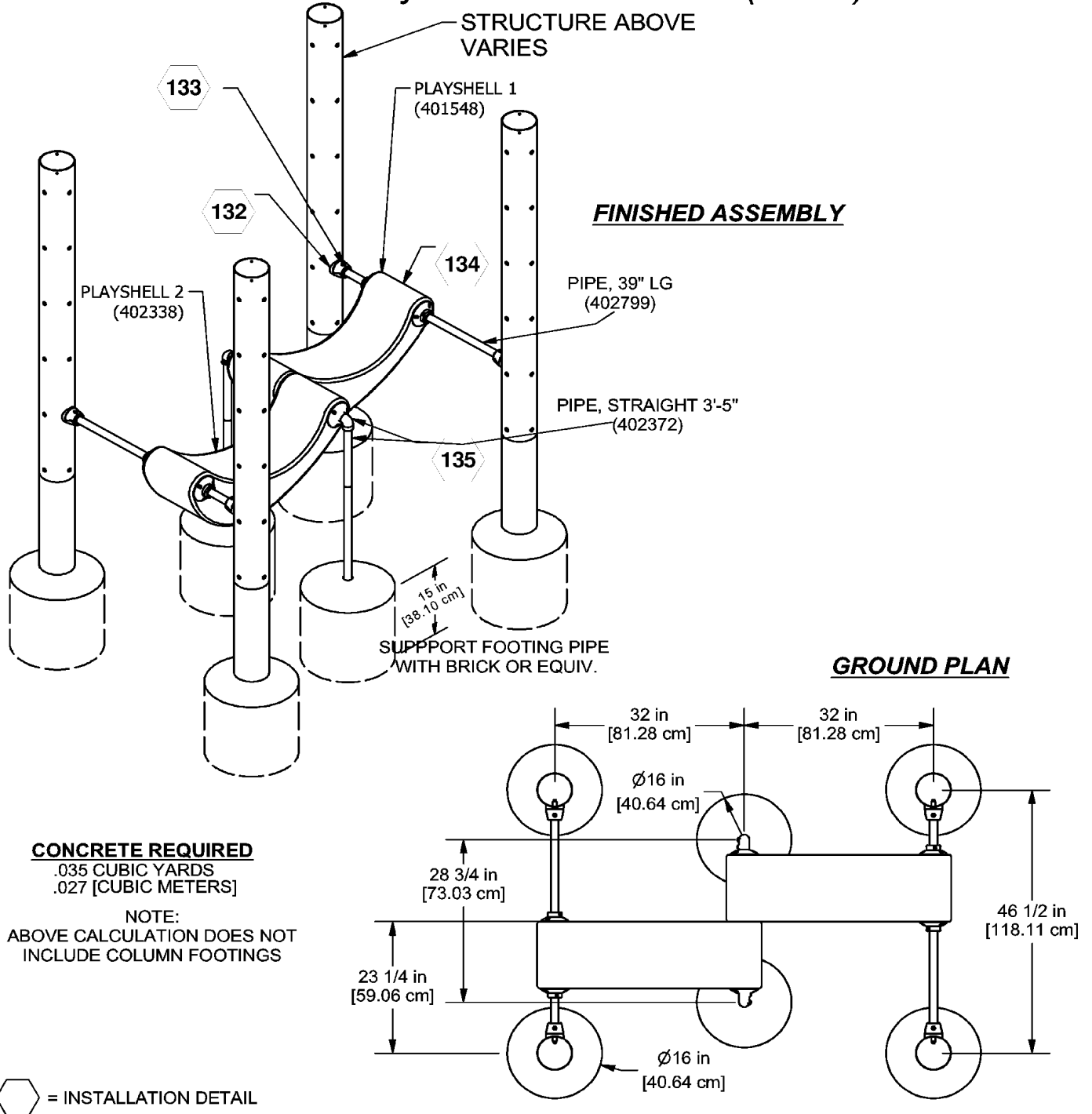
### **INSTALLATION INSTRUCTIONS:**

1. Locate and dig ground holes for footings as required. Refer to Ground Plan and Elevation View on next page of these instructions.
2. Install Threaded Insert (M000) or Eagle Fastener (G000) into holes on columns. Refer to Installation Prolog for instructions on installation of Threaded Inserts and Eagle Fasteners. Refer to elevation view on next page of these instructions for locations.
3. Attach Pipe Mount Bodies to columns using Hex Bolt & Internal Tooth Lockwasher. See Detail 132.
4. Slide PlayShell, two PlayShell Collar, Plastic, and two PlayShell Stop Collars onto Pipe, 39" LG. See Detail 134.
5. Place Pipe, 39" LG, with Playshell and other parts, onto two adjacent Pipe Mount Bodies, making certain to align the mounting holes in the pipe with those in the Pipe Mount Bodies. Place Pipe Mount Cap over pipe, and secure using 3/8" x 2" Socket Head Cap Screw. See Detail 133.
6. Repeat steps 3 - 5 for the opposite end.
7. Slide the Pipe, 2' 5" LG through the unsecured ends of the two PlayShells, and place a PlayShell Collar, Plastic and a Kee-Klump 90 Degree Elbow on each end. Push the Elbows as far onto the Pipe as they will go, and tighten Set Screws. See Detail 135.
8. Place the two Pipe, 3'5" LG into the ground holes, and put their upper ends into the Kee Klump 90 Degree Elbows, and tighten set screws. See Detail 135.
9. Plumb and level the structure, and tighten all hardware securely, then pour concrete for the footings as required. Smooth away any sharp edges that may have been created during handling and assembly. Install resilient surfacing within the use zone of play structure in accordance with ASTM Specification F1292, and appropriate for the fall height of each structure. Refer to all applicable safety guidelines.



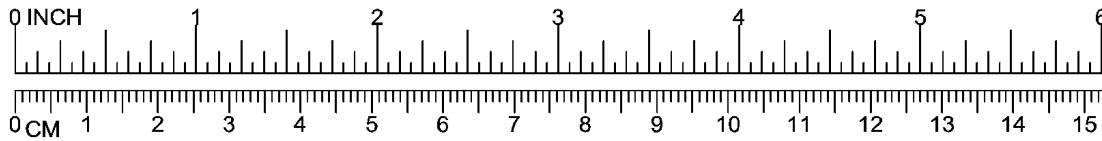
A PLAYCORE Company

## M11-018 Playshell Double Seat - (Metal) 11-018 Playshell Double Seat - (Wood)

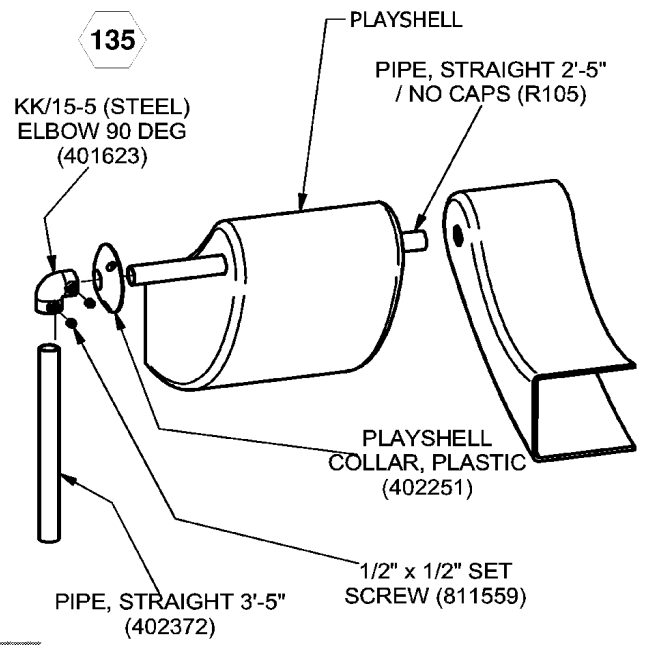
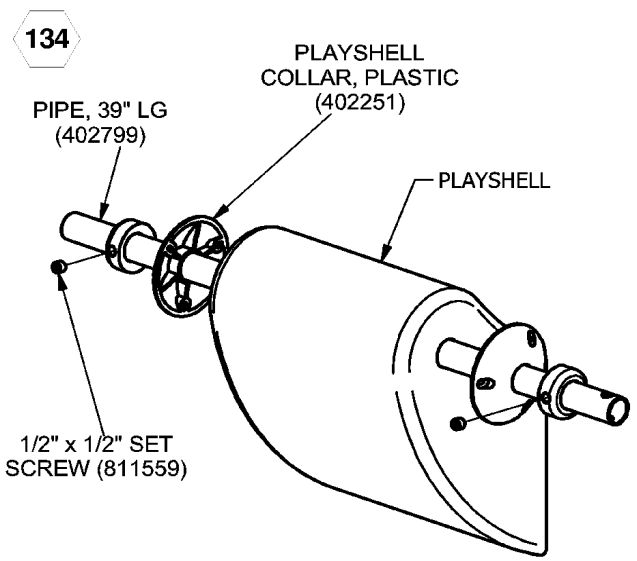
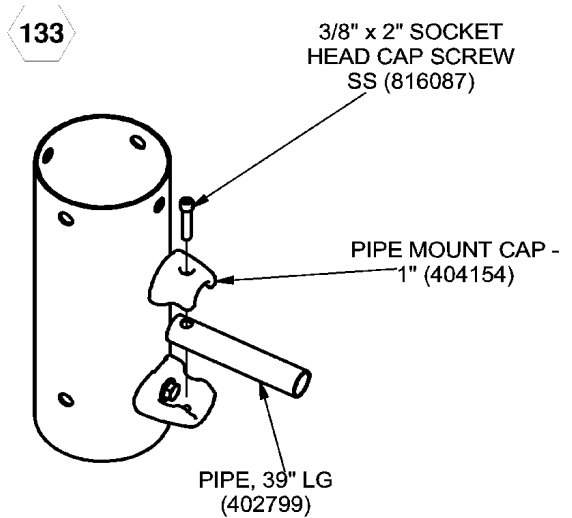
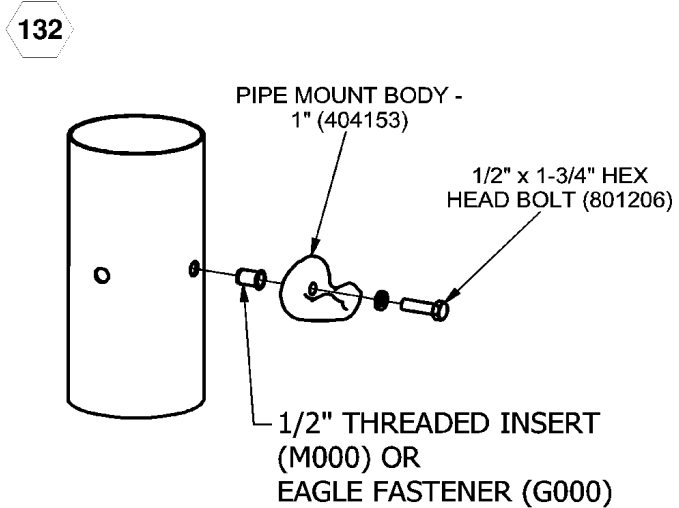


Issued/Revised: 09/24/2012

1-866-814-8697



**M11-018 Playshell Double Seat - (Metal)**  
**11-018 Playshell Double Seat - (Wood)**



Issued/Revised: 09/24/2012

M11043 Handgrip, 12" - Metal      11043 Handgrip 12", Wood  
 M11022 Handgrip, 24" - Metal      11022 Handgrip 24", Wood  
 M11047 Handgrip, 36" - Metal      11047 Handgrip 36", Wood

Parts List							
DESCRIPTION	M11043	11043	M11022	11022	M11047	11047	PART NUMBER
HANDGRIP, 12"	1	1	0	0	0	0	401710
HANDGRIP, 24"	0	0	1	1	0	0	401691
HANDGRIP, 36"	0	0	0	0	1	1	402556
---HARDWARE COMPLETE---	1	0	0	0	0	0	E928HW
---HARDWARE COMPLETE---	0	1	0	0	0	0	G928HW
---HARDWARE COMPLETE---	0	0	1	0	0	0	E920HW
---HARDWARE COMPLETE---	0	0	0	1	0	0	G920HW
---HARDWARE COMPLETE---	0	0	0	0	1	0	E771
---HARDWARE COMPLETE---	0	0	0	0	0	1	D771
1/2" THREADED INSERT	2	0	2	0	2	0	M000
HOLE PLUG - M	0	0	1	0	2	0	M005G
EAGLE FASTENER	0	2	0	2	0	2	G000
1/2" X 1-3/4" HEX HEAD BOLT	2	0	2	0	2	0	801206
HOLE PLUG - WOOD	0	0	0	1	0	2	G005G
BOLT TAP 1/2"-13 X 2-1/2" NC PLTD	0	2	0	2	0	2	801225
1/2" INTERNAL TOOTH LOCK WASHER	2	2	2	2	2	2	817201
DO-NUT BASE 12MM	2	2	2	2	2	2	G034
DO-NUT CAP 12MM	2	2	2	2	2	2	G036

*Unless Otherwise Specified, All Units of Measure are Each*

*Items listed below Hardware Complete line are included with Hardware Complete Number*

**Warning: During Installation, Hardware And Small Parts Are Choking Hazards For Young Children. Store Unused Parts Appropriately Until Assembly Is Completed. Once Assembly Is Completed, Remove Any Unused Parts From The Play Environment And Dispose/Save Them In A Secure Location. Any bolt end protruding more than two full threads beyond the face of the nut causes risk of clothing entanglement.**

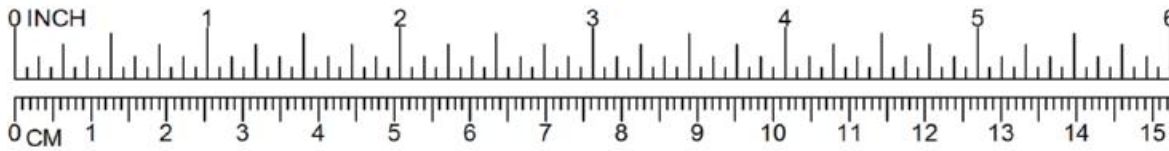
**Promptly cut-off flush, file smooth, and treat to prevent corrosion.**

**Note: Peen Tee-Nuts and Flatwashers to match radius of pipe after assembly is complete.**

**Note: Loctite (supplied by others) should be used on any non-patch hardware.**

### **MAINTENANCE PROCEDURE:**

Periodically check hardware for tightness, and tighten as necessary. Always check all parts for breakage or wear, and immediately put equipment out of service until any faulty parts found are repaired or replaced. Also Check all metal parts for rust, paint loss and touch-up if necessary with paint. Check for welded areas and verify integrity. Check periodically resilient surfacing for appropriate depth and remove extraneous materials that could cause injury, infection, or disease. Maintain detailed installation, inspection, maintenance, and repair records for each public-use playground equipment.



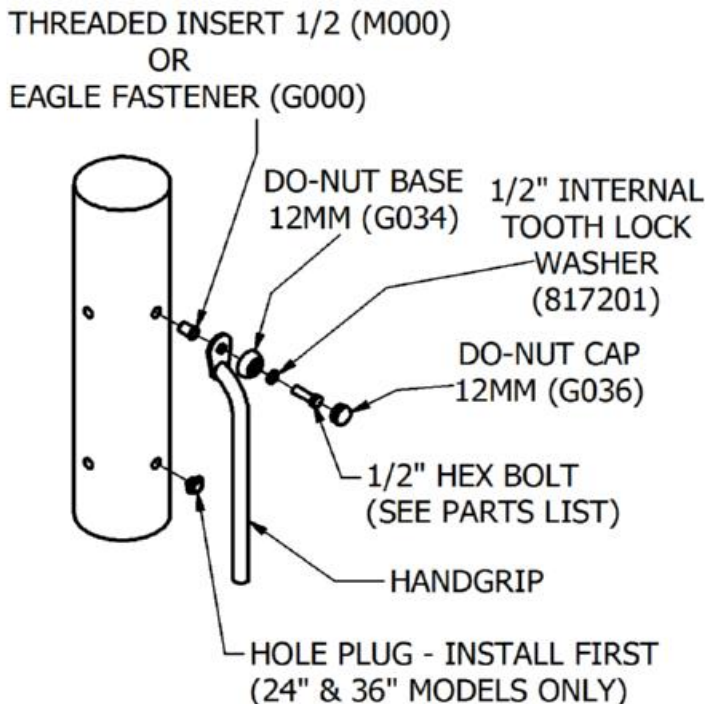
**M11043 Handgrip, 12" - Metal**  
**M11022 Handgrip, 24" - Metal**  
**M11047 Handgrip, 36" - Metal**

**11043 Handgrip 12", Wood**  
**11022 Handgrip 24", Wood**  
**11047 Handgrip 36", Wood**

**INSTALLATION INSTRUCTIONS:**

1. Refer to your Structure Design to locate Handgrip.
2. Install the 1/2" Threaded Inserts or Eagle Fasteners in Columns at proper locations.  
(Refer to the Installation Prolog for typical Threaded Insert or typical Eagle Fastener Installation)
3. Install Hole Plugs that fall directly beneath before installing Handgrip (24" and 36" models only).  
(Refer to the Installation Prolog for typical Hole Plug Installation)
4. Attach the Handgrip to Column using Do-Nut Base 12mm, 1/2" Lock Washer, 1/2" x 2 1/2" hex Bolt (Wood) or 1/2" x 1 3/4" hex Bolt (Metal), Do-Nut Cap 12mm. See Detail 053.
5. Secure all fasteners and install Do-Nut Caps.
6. When structure assembly is complete, eliminate sharp points and sharp edges on hardware or other components. Install resilient surfacing material within the use zone of play structure in accordance with ASTM specifications F1292 appropriate for the fall height of each structure.

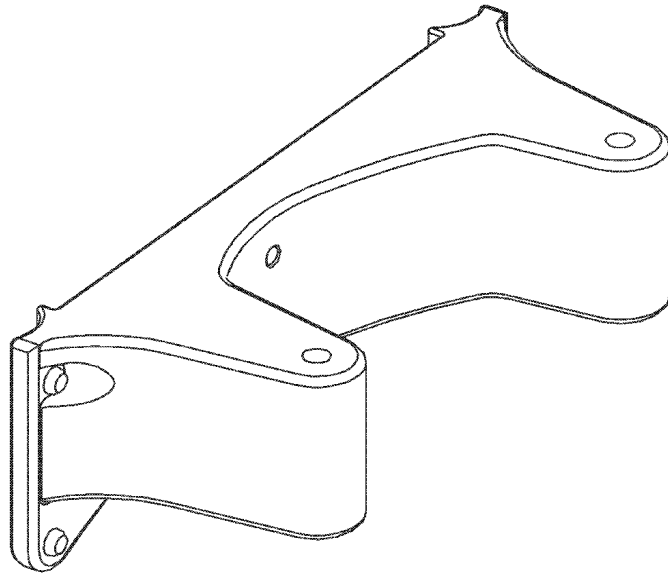
**053**












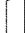












NOTE:  
 REFER TO THE INSTALLATION PROLOG FOR  
 TYPICAL INSTALLATION OF THREADED INSERT,  
 EAGLE FASTENER, AND HOLE PLUGS

# PlayShell Climb Adaptor

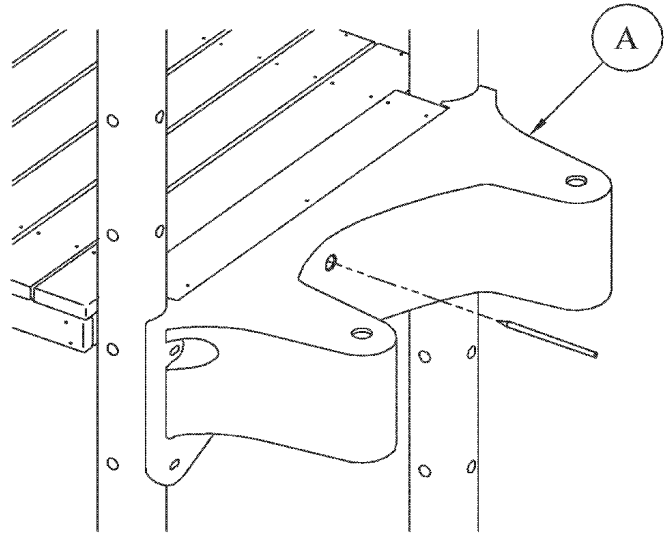
11-035, 59-019  
Installation Instructions



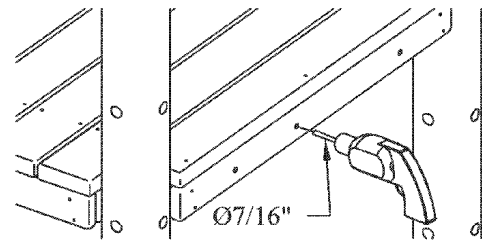
DET.	QTY.	PART#	DESCRIPTION	ICON (NOT TO SCALE)	
A	1	402029	PlayShell Climb Adaptor		
B	4	G000	Eagle Fastener		
	1	D169_	Connector PlayShell Climb Adaptor		
C	4	801256	Bolt, 1/2 x 3-1/2" Pltd - Full Thread		
D	1	801020	Bolt Hex 3/8-16 x 5-1/2" Grd 2 NC Pltd		
E	1	804353	Nut Hex 3/8-16 2-Way Locknut NC PLTD		
F	6	G036_	Do-Nut Cap 12mm		
G	4	G034_	Do-Nut Base (No Boss) 12mm		
H	1	817401	Washer 3/8" USS SS		
I	1	G032_	Do-Nut Cap 10mm		
J	1	G030_	Do-Nut Base (No Boss) 10mm		
K	4	817201	Lock Washer, 1/2" Int Tooth Type A PLTD		
L	1	817200	Lock Washer, 3/8" Int Tooth Type A PLTD		

OPTION 1: MOUNTING PLAYSHELL STEP ADAPTOR WITH PLATFORM.

1. **Temporarily locate Climb Adaptor (A)** and mark the front of Platform for mounting hole.

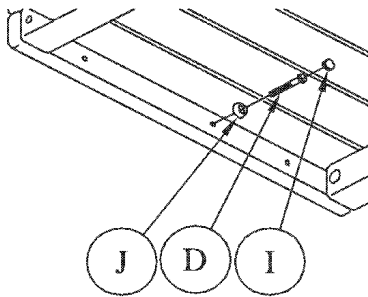


2. **Drill a 7/16" hole** centered on the previously created mark and through the front board of the platform.

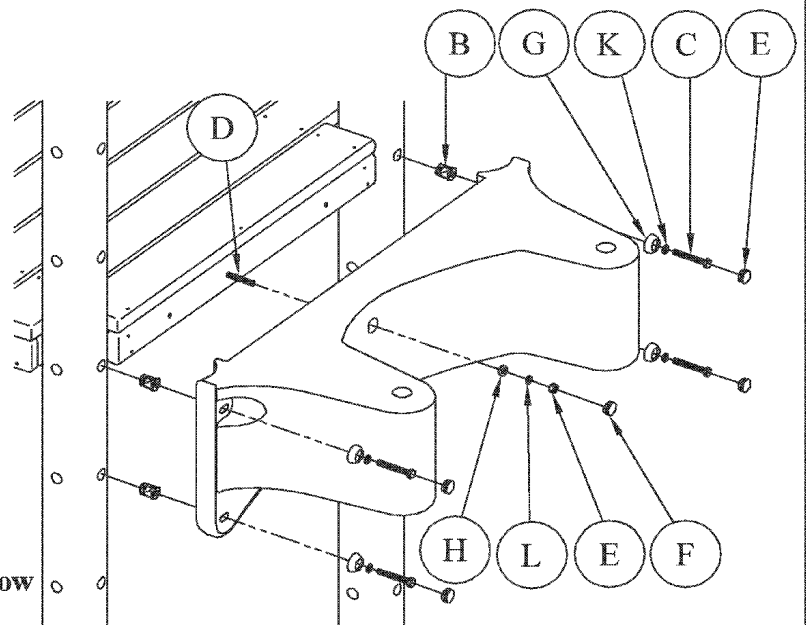


3. **Install Eagle Fasteners (B).**  
(See "Typical Eagle Installation.")

4. **Attach Climb Adaptor (A)** using hardware (G)(K)(C)(F) and (J)(D)(H)(L)(E)(I).

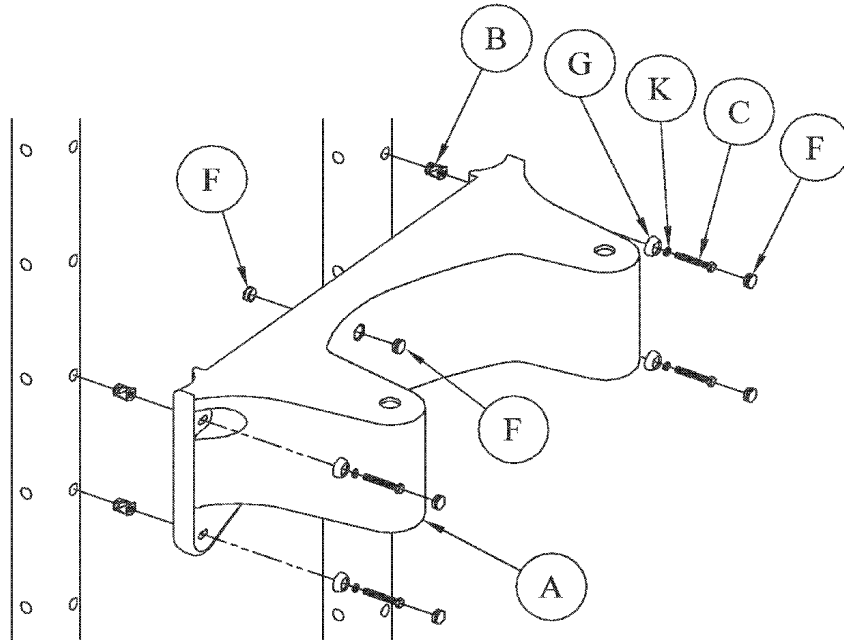


**Playshell Climb Adaptor viewed from below**



## OPTION 2, MOUNTING PLAYSHELL STEP ADAPTOR WITHOUT PLATFORM.

1. **Install Eagle Fasteners (B).**  
(See "Typical Eagle Installation.")
2. **Locate and attach Climb Adaptor (A)** at proper height using hardware (G)(K)(C)(F).



*Note: For option 2, be sure to install Do-Nut Cap (F) on both sides of mid-point mounting hole. Refer to your structure design and installation instructions for information on Playshell installation.*



M11043 Handgrip, 12" - Metal      11043 Handgrip 12", Wood  
 M11022 Handgrip, 24" - Metal      11022 Handgrip 24", Wood  
 M11047 Handgrip, 36" - Metal      11047 Handgrip 36", Wood

Parts List							
DESCRIPTION	M11043	11043	M11022	11022	M11047	11047	PART NUMBER
HANDGRIP, 12"	1	1	0	0	0	0	401710
HANDGRIP, 24"	0	0	1	1	0	0	401691
HANDGRIP, 36"	0	0	0	0	1	1	402556
---HARDWARE COMPLETE---	1	0	0	0	0	0	E928HW
---HARDWARE COMPLETE---	0	1	0	0	0	0	G928HW
---HARDWARE COMPLETE---	0	0	1	0	0	0	E920HW
---HARDWARE COMPLETE---	0	0	0	1	0	0	G920HW
---HARDWARE COMPLETE---	0	0	0	0	1	0	E771
---HARDWARE COMPLETE---	0	0	0	0	0	1	D771
1/2" THREADED INSERT	2	0	2	0	2	0	M000
HOLE PLUG - M	0	0	1	0	2	0	M005G
EAGLE FASTENER	0	2	0	2	0	2	G000
1/2" X 1-3/4" HEX HEAD BOLT	2	0	2	0	2	0	801206
HOLE PLUG - WOOD	0	0	0	1	0	2	G005G
BOLT TAP 1/2"-13 X 2-1/2" NC PLTD	0	2	0	2	0	2	801225
1/2" INTERNAL TOOTH LOCK WASHER	2	2	2	2	2	2	817201
DO-NUT BASE 12MM	2	2	2	2	2	2	G034
DO-NUT CAP 12MM	2	2	2	2	2	2	G036

*Unless Otherwise Specified, All Units of Measure are Each*

*Items listed below Hardware Complete line are included with Hardware Complete Number*

**Warning: During Installation, Hardware And Small Parts Are Choking Hazards For Young Children. Store Unused Parts Appropriately Until Assembly Is Completed. Once Assembly Is Completed, Remove Any Unused Parts From The Play Environment And Dispose/Save Them In A Secure Location. Any bolt end protruding more than two full threads beyond the face of the nut causes risk of clothing entanglement.**

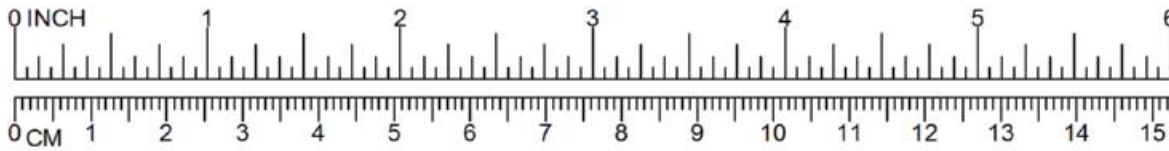
**Promptly cut-off flush, file smooth, and treat to prevent corrosion.**

**Note: Peen Tee-Nuts and Flatwashers to match radius of pipe after assembly is complete.**

**Note: Loctite (supplied by others) should be used on any non-patch hardware.**

### **MAINTENANCE PROCEDURE:**

Periodically check hardware for tightness, and tighten as necessary. Always check all parts for breakage or wear, and immediately put equipment out of service until any faulty parts found are repaired or replaced. Also Check all metal parts for rust, paint loss and touch-up if necessary with paint. Check for welded areas and verify integrity. Check periodically resilient surfacing for appropriate depth and remove extraneous materials that could cause injury, infection, or disease. Maintain detailed installation, inspection, maintenance, and repair records for each public-use playground equipment.



**M11043 Handgrip, 12" - Metal**  
**M11022 Handgrip, 24" - Metal**  
**M11047 Handgrip, 36" - Metal**

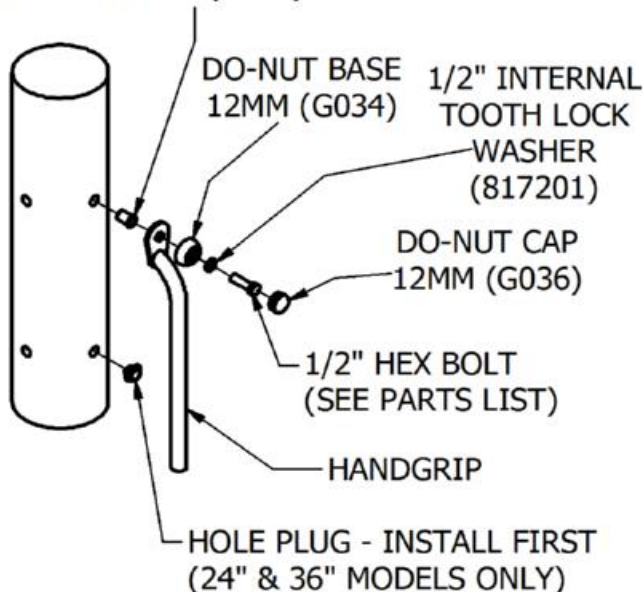
**11043 Handgrip 12", Wood**  
**11022 Handgrip 24", Wood**  
**11047 Handgrip 36", Wood**

**INSTALLATION INSTRUCTIONS:**

1. Refer to your Structure Design to locate Handgrip.
2. Install the 1/2" Threaded Inserts or Eagle Fasteners in Columns at proper locations.  
(Refer to the Installation Prolog for typical Threaded Insert or typical Eagle Fastener Installation)
3. Install Hole Plugs that fall directly beneath before installing Handgrip (24" and 36" models only).  
(Refer to the Installation Prolog for typical Hole Plug Installation)
4. Attach the Handgrip to Column using Do-Nut Base 12mm, 1/2" Lock Washer, 1/2" x 2 1/2" hex Bolt (Wood) or 1/2" x 1 3/4" hex Bolt (Metal), Do-Nut Cap 12mm. See Detail 053.
5. Secure all fasteners and install Do-Nut Caps.
6. When structure assembly is complete, eliminate sharp points and sharp edges on hardware or other components. Install resilient surfacing material within the use zone of play structure in accordance with ASTM specifications F1292 appropriate for the fall height of each structure.

053

THREADED INSERT 1/2 (M000)  
 OR  
 EAGLE FASTENER (G000)



NOTE:  
 REFER TO THE INSTALLATION PROLOG FOR  
 TYPICAL INSTALLATION OF THREADED INSERT,  
 EAGLE FASTENER, AND HOLE PLUGS

## M11-048 Activity Barrier - (Metal) 11-048 Activity Barrier - (Wood)

Parts List			
DESCRIPTION	M11-048 (Metal)	11-048 (Wood)	PART NUMBER
ACTIVITY BARRIER	1	1	402806
--- HARDWARE COMPLETE (METAL)---	1	0	405451
--- HARDWARE COMPLETE (WOOD)---	0	1	405452
1/2" X 1 1/2" B.H.C.S.	4	0	811073
1/2-13 X 2-1/2" FULL THREAD HEX HEAD BOLT	0	4	811065
1/2" THREADED INSERT	4	0	M000
EAGLE FASTENER	0	4	G000
HOLE PLUG - M	4	0	M005G
HOLE PLUG - EAGLE	0	4	G005G
1/2" FLAT WASHER	4	4	817412
1/2" LOCKWASHER	4	4	817342

*Unless Otherwise Specified, All Units of Measure are Each*

*Items listed below Hardware Complete line are included with Hardware Complete Number*

**Warning: During Installation, Hardware And Small Parts Are Choking Hazards For Young Children. Store Unused Parts Appropriately Until Assembly Is Completed. Once Assembly Is Completed, Remove Any Unused Parts From The Play Environment And Dispose/Save Them In A Secure Location. Any bolt end protruding more than two full threads beyond the face of the nut causes risk of clothing entanglement. Promptly cut-off flush, file smooth, and treat to prevent corrosion.**

**Note: Peen Tee-Nuts and Flatwashers to match radius of pipe after assembly is complete.**

**Note: Loctite (supplied by others) should be used on any non-patch hardware.**

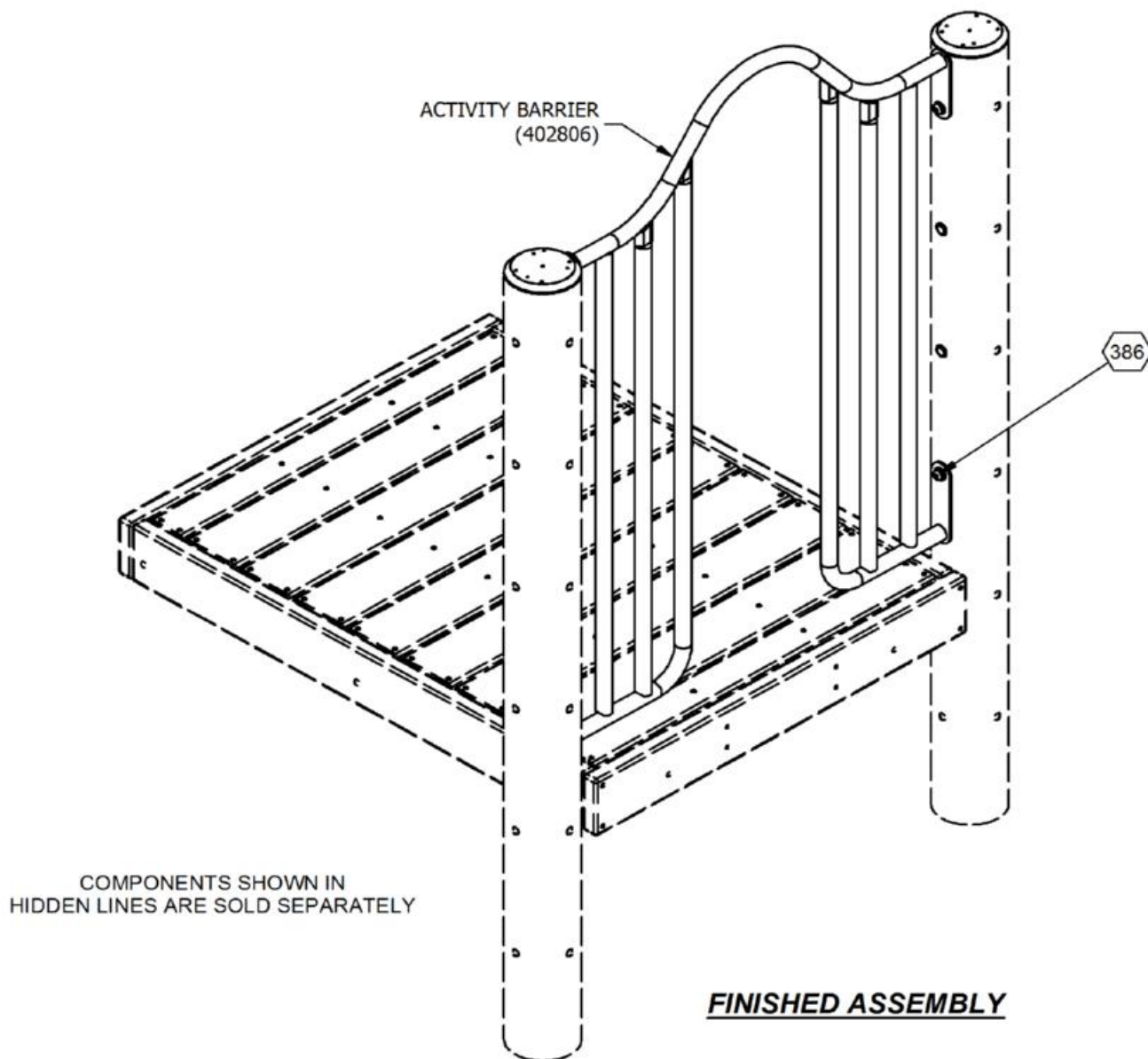
### **INSTALLATION INSTRUCTIONS:**

1. Place a Hole Plug (M005G or G005G) in each Column hole that is covered by the Activity Barrier, but not needed for attachment (See Detail #136). Refer to Installation Prolog for instructions on installation of Hole Plugs (M005G) or Hole Plugs - Eagle (G005G)
2. Place a 1/2" Threaded Insert (M000) or Eagle Fastener (G000) into the column attachment holes. Refer to Installation Prolog for instructions on installation of 1/2" Threaded Inserts (M000) of an Eagle Fastener (G000)
3. Position the Activity Barrier and secure with Button Head Screw, Flat Washer and Lock Washer (See Detail # 368)
4. Check that all hardware connections are securely tightened, and smooth away any sharp edges that may have been created during handling and assembly. Install resilient surfacing within the use zone of play structure in accordance with ASTM Specification F1292, and appropriate for the fall height of each structure. Refer to all applicable safety guidelines.

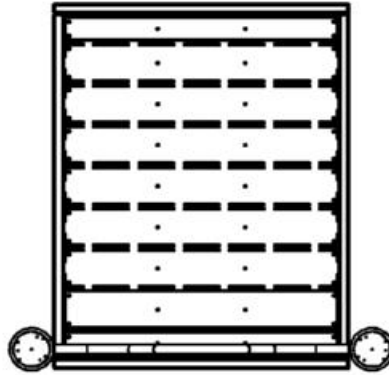
## M11-048 Activity Barrier - (Metal) 11-048 Activity Barrier - (Wood)

### **MAINTENANCE PROCEDURE:**

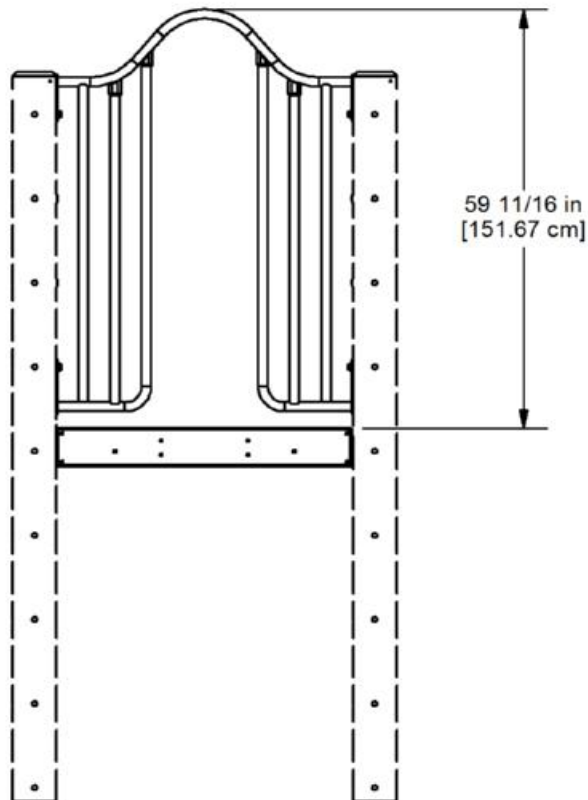
Periodically check hardware for tightness, and tighten as necessary. Always check all parts for breakage or wear, and immediately put equipment out of service until any faulty parts found are repaired or replaced. Also Check all metal parts for rust, paint loss and touch-up if necessary with paint. Check for welded areas and verify integrity. Check periodically resilient surfacing for appropriate depth and remove extraneous materials that could cause injury, infection, or disease. Maintain detailed installation, inspection, maintenance, and repair records for each public-use playground equipment.



*M11-048 Activity Barrier - (Metal)*  
*11-048 Activity Barrier - (Wood)*



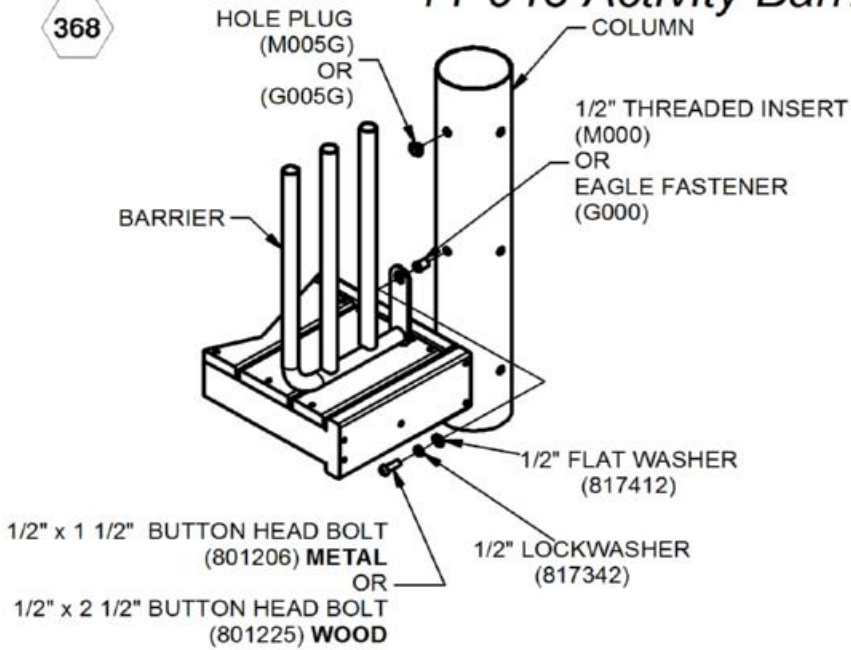
PLAN VIEW



ELEVATION VIEW

## M11-048 Activity Barrier - (Metal) 11-048 Activity Barrier - (Wood)

368



NOTE: REFER TO THE INSTALLATION PROLOG FOR TYPICAL THREADED INSERT AND EAGLE FASTENER INSTALLATION.



Wills Park  
505 St. Mary's Avenue  
La Plata, MD 20646

Bigtoys

This play equipment is recommended for children ages 5-12

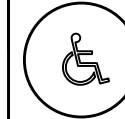
Minimum Area Required: 45'-11" x 30'-9"

Scale: 1/4" = 1'-0"  
This drawing can be scaled only when in an 11" x 17" format

Drawn By: Jason Roberts  
Date: 03/15/2018  
Quote Number: MBT-1118-1

**BigToys**

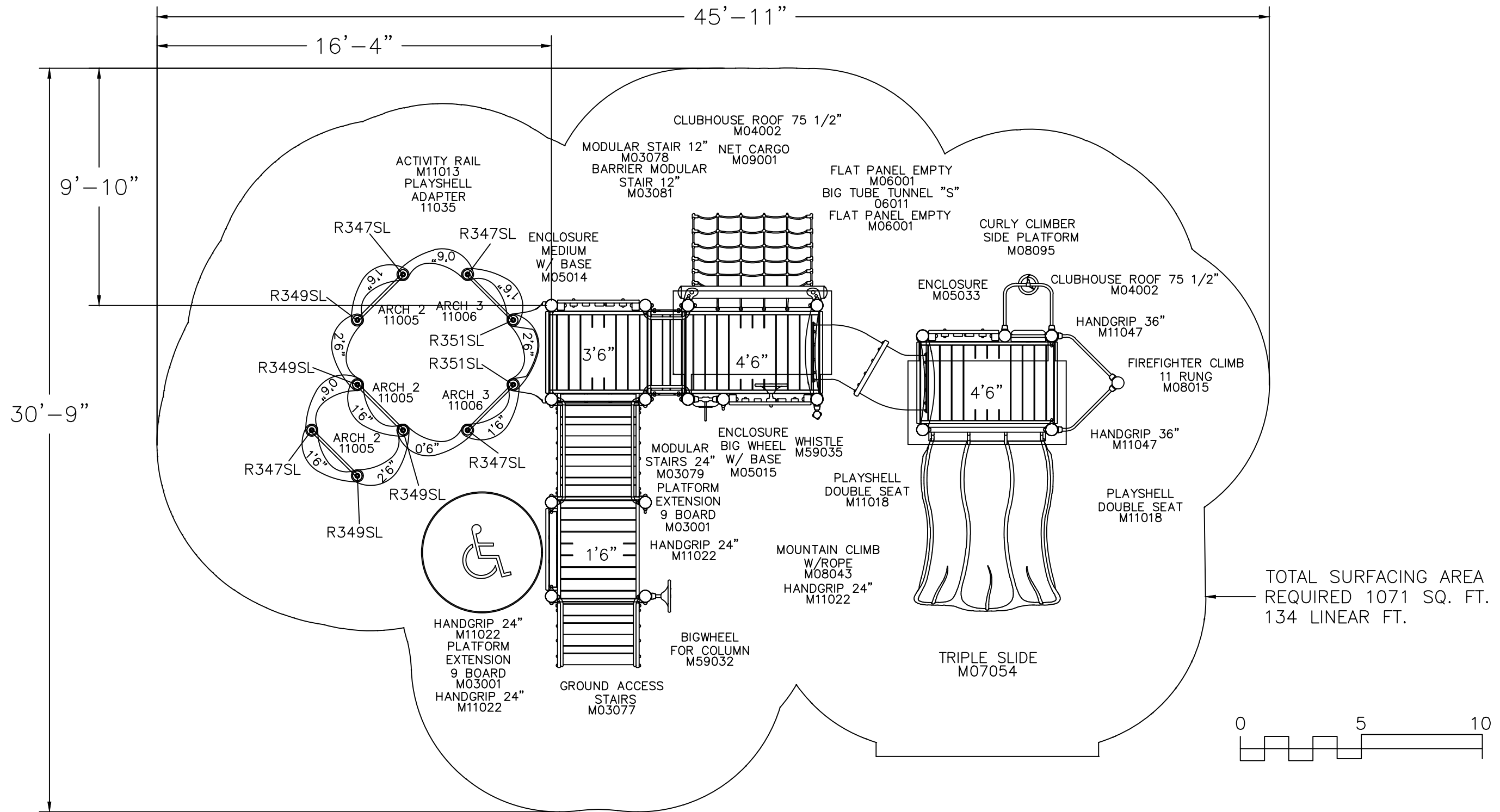
401 Chestnut Street, Ste. 410  
Chattanooga, TN. 37402  
800.727.1907 / www.bigtoys.com



Total Play Components	12		
Elevated Play Components	8		
Elevated Play Components Accessible by Ramp	0	Req.	0
Elevated Components Accessible by Transfer	8	Req.	4
Accessible Ground Level Components Shown	4	Req.	3
Different Types of Ground Level Components	3	Req.	3

User Capacity  
45 - 55  
Critical Fall Height  
6'-6"

Order 5710605



It is the manufacturer's opinion that the structure shown herein complies with current ada standards concerning accessibility if used with proper accessible surfacing and together with other necessary ground level play equipment.  
**IMPORTANT:** Never install play equipment over hard, unresilient surfaces such as asphalt, concrete, or compacted earth. It is the owner's responsibility to ensure the "minimum area required" contains an appropriate amount of resilient material to cushion accidental falls.

Wills Park  
505 St. Mary's Avenue  
La Plata, MD 20646

Bigtoys

This play equipment is recommended for children ages 5-12

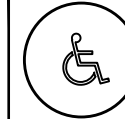
Minimum Area Required: 45'-11" x 30'-9"

Scale: 1/4" = 1'-0"  
This drawing can be scaled only when in an 11" x 17" format

Drawn By: Jason Roberts  
Date: 03/15/2018  
Quote Number: MBT-1118-1

**BigToys**

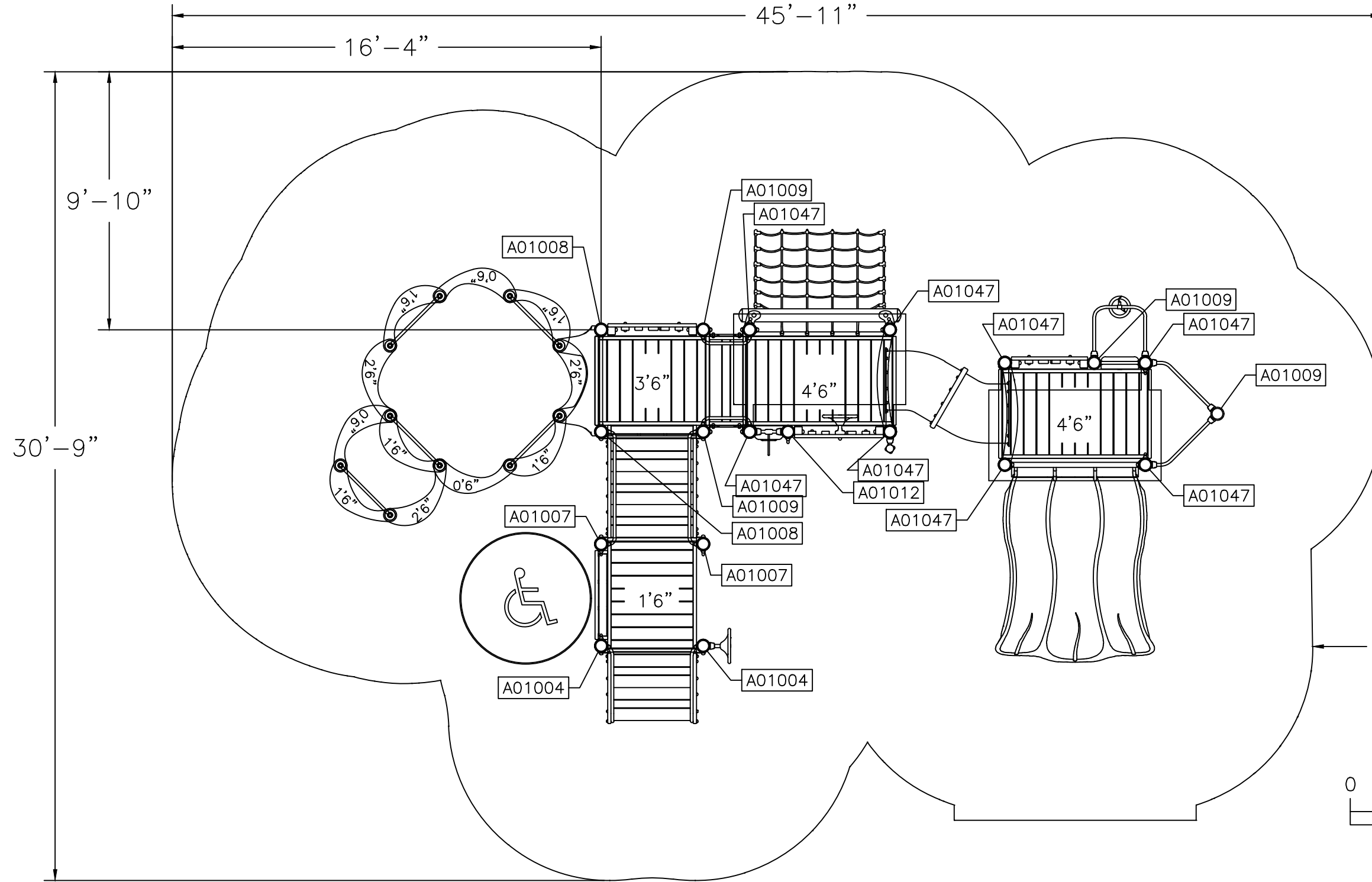
401 Chestnut Street, Ste. 410  
Chattanooga, TN. 37402  
800.727.1907 / www.bigtoys.com



Total Play Components	12		
Elevated Play Components	8		
Elevated Play Components Accessible by Ramp	0	Req.	0
Elevated Components Accessible by Transfer	8	Req.	4
Accessible Ground Level Components Shown	4	Req.	3
Different Types of Ground Level Components	3	Req.	3

User Capacity	45 - 55
Critical Fall Height	6'-6"

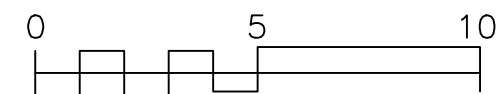
Order 5710605



UPRIGHT INFORMATION

UPRIGHT	DESCRIPTION
A01004	7' BIGTOY METAL UPRIGHT
A01007	8' BIGTOY METAL UPRIGHT
A01008	9' BIGTOY METAL UPRIGHT
A01009	10' BIGTOY METAL UPRIGHT
A01012	12' BIGTOY METAL UPRIGHT
A01047	12' BIGTOY METAL UPRIGHT

TOTAL SURFACING AREA REQUIRED 1071 SQ. FT.  
134 LINEAR FT.



It is the manufacturer's opinion that the structure shown herein complies with current ada standards concerning accessibility if used with proper accessible surfacing and together with other necessary ground level play equipment.

**IMPORTANT:** Never install play equipment over hard, unresilient surfaces such as asphalt, concrete, or compacted earth. It is the owner's responsibility to ensure the "minimum area required" contains an appropriate amount of resilient material to cushion accidental falls.