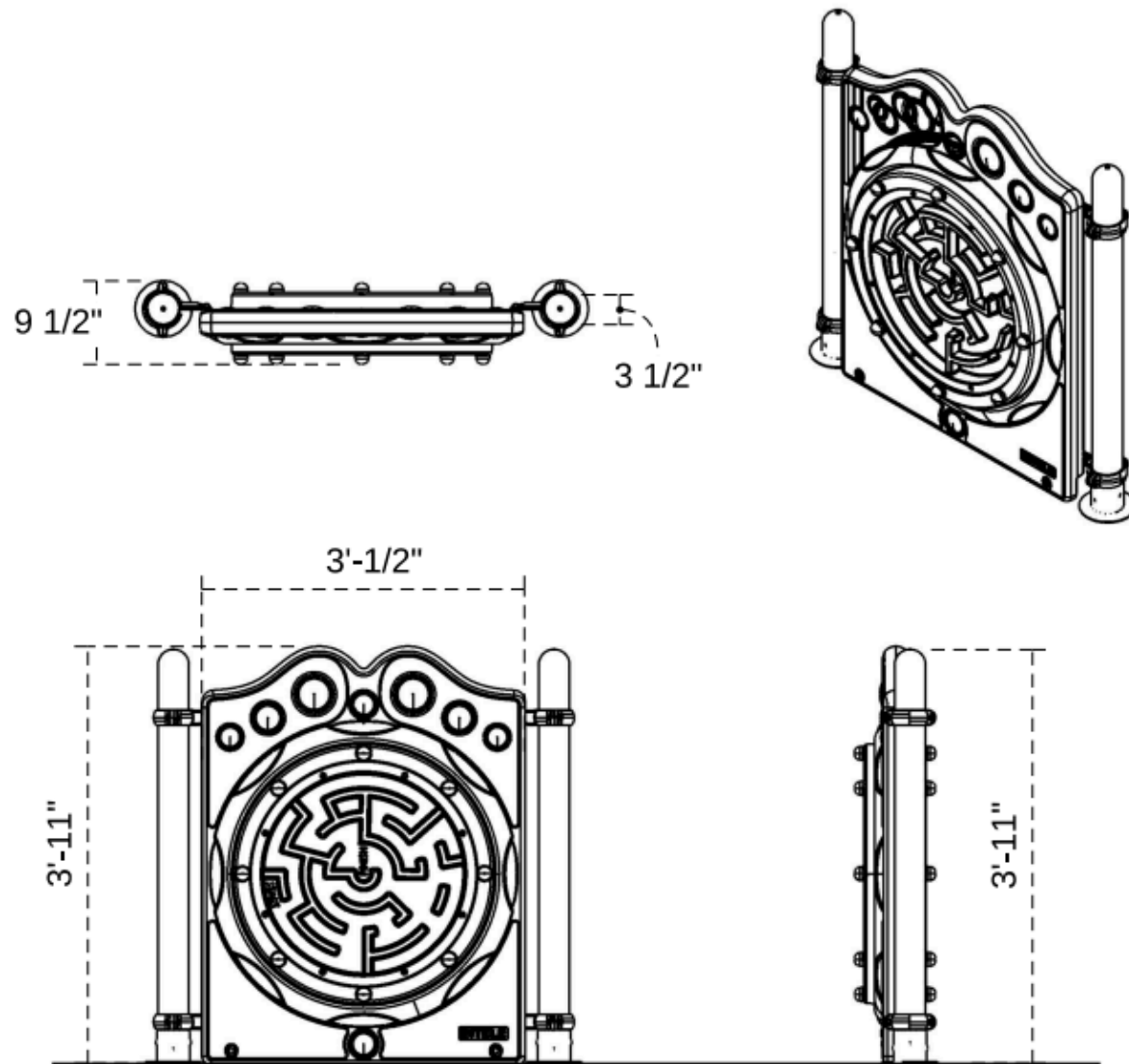


# PFS003 - Ball Maze Panel with Posts Spec Sheet



Scale:  $\frac{3}{5}" = 1'-0"$  (1:20)