

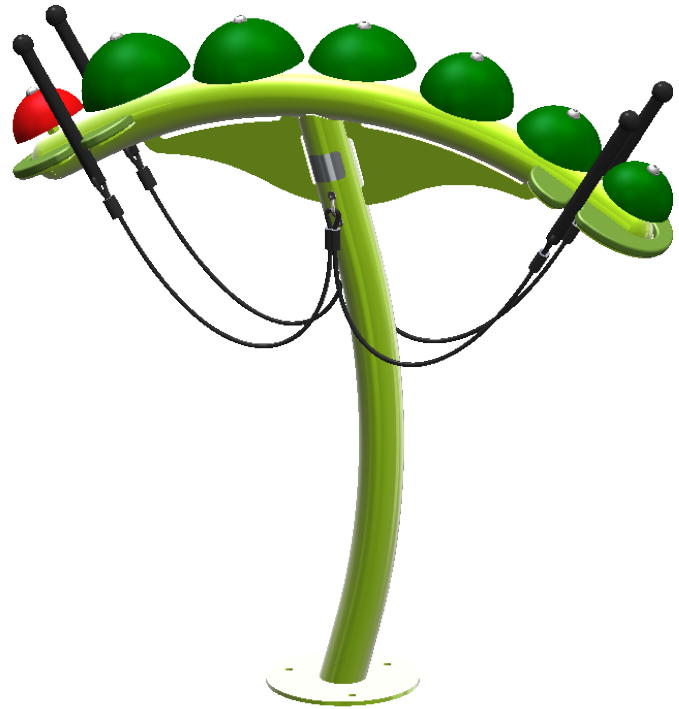
CATERPILLAR BELLS INSTALLATION GUIDE

CONTENTS

SHEET 1: BASIC INFO
 SHEET 2: IN-GROUND
 SHEET 3: SURFACE MOUNT
 SHEET 4: PORTABLE MOUNT

INSTRUMENT INFO

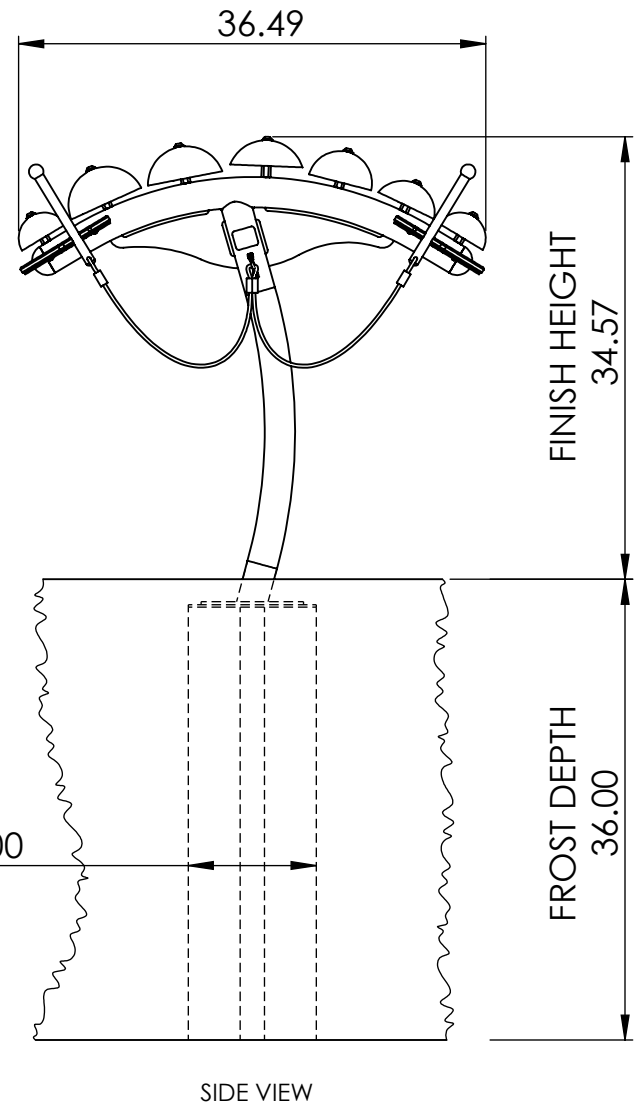
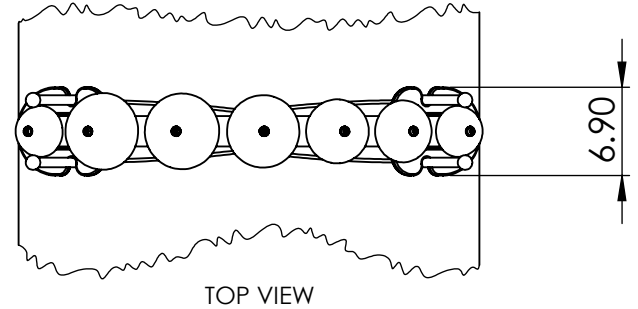
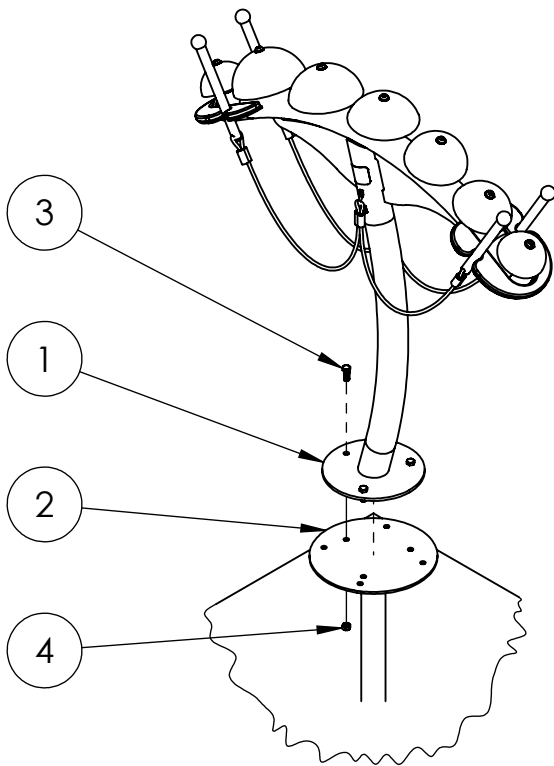
SCALE: C MAJOR PENTATONIC
 NOTES: (HEAD TO TAIL) C,C,D,E,G,A,D
 TIMBRE: BRIGHT / HAND BELL
 RANGE: ALTO
 BELLS: ANODIZED ALUMINUM
 FRAME: POWDER COATED STEEL
 SPACERS: NYLON/ ZINC PLATED BRASS
 HARDWARE: STAINLESS STEEL
 MALLET HOLDERS: HDPE
 REPLACEMENT MALLET: RPLC-CATR-MALLET



COMPONENTS					
ITEM NO.	PART NUMBER	DESCRIPTION	CATR-IG	CATR-SM	CATR-PM
1	CATR-BOM	CATERPILLAR BELLS-PRE ASSEMBLY	1	1	1
2	POST-STL-IG-EXT-FP	IN GROUND STEEL POST EXTENSION (POWDER-COATED)	1	-	-
3	92240A624	3/8"-16 HEX HEAD SCREW, 1"LG. SS	3	-	-
4	91845A031	3/8"-16 HEX NUT, SS	3	-	3
5	POW 07315	3/8"-16 WEDGE EXPANSION ANCHOR, 3.75"LG. SS	-	3	-
6	9267K43	35/64" HEX NUT CAP	-	3	-
7	FWR_BFLY-PM-PS	FLOWER AND BUTTERFLY - HDPE PORTABLE STAND (1" BLACK)	-	-	1
8	91185A867	3/8"-16 THUMB SCREW, 1"LG. SS	-	-	3
WEIGHTS AND DIMENSIONS					
			CATR-IG	CATR-SM	CATR-PM
UNPACKAGED WEIGHT (LBS)			49	39	47
PACKAGED WEIGHT (LBS)			64	54	62
OVERALL HEIGHT/ FINISH HEIGHT (INSTALLED)			34.57"	36.57"	37.57"
OVERALL WIDTH (INSTALLED)			36.49"	36.49"	36.49"
OVERALL THICKNESS (INSTALLED)			8"	8"	18"
PACKAGE HEIGHT			7"		
PACKAGE WIDTH			42"		
PACKAGE DEPTH			54"		

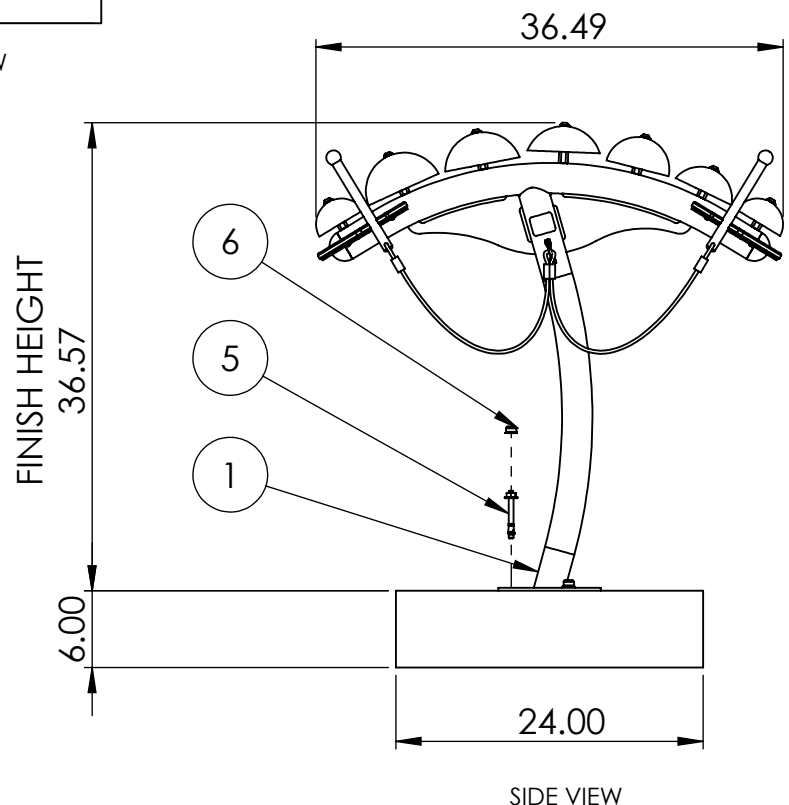
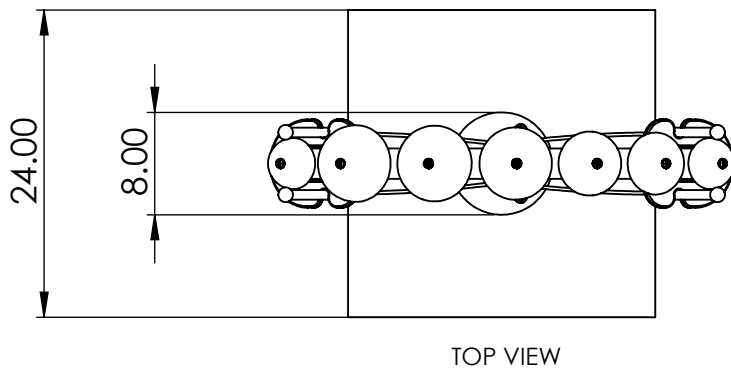
CATERPILLAR BELLS: IN-GROUND INSTALLATION

1. Apply a couple drops of blue loctite to the end of the threads on the 3/8"-16 Hex Head Screws.
2. Attach the Instrument Pre-Assembly to the In Ground Post Extension by aligning the holes on each component and fastening them together with the (3) 3/8" Hex Head Screws and the (3) 3/8"-16 Hex Nuts.
3. Excavate one 10" diameter hole, 36" deep, at the installation location.
4. With two people, lower instrument with post extension attached into the excavated hole. Verify correct placement and levelness of the Instrument. Check for sufficient clearance around the Instrument, a 36" perimeter around the Instrument is recommended for wheelchair accessibility.
5. Lastly, pour concrete around the In Ground Extension. If necessary, brace the Instrument to hold it rigid while the concrete cures. Leave to set according to the concrete manufacturers guidelines. Approximately (3) 80lb. bags will be needed.



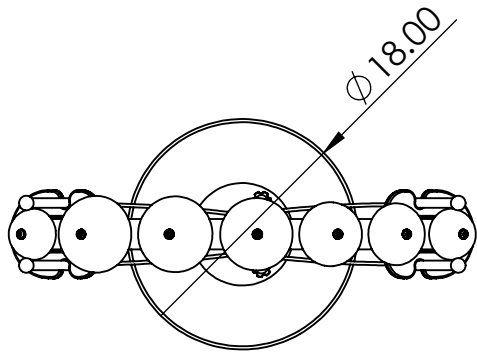
CATERPILLAR BELLS: SURFACE MOUNT INSTALLATION

1. Determine installation location. Verify concrete pad is a minimum of 24" long x 24" wide x 6" thick. If the concrete pad is at an angle, steel washers are required to act as shims (Shims not provided). If there is not already an existing pad, approximately (4) 80lb. bags will be needed. Allow concrete to cure per concrete manufacturers guidelines.
2. With two people place the Instrument Assembly onto the concrete pad and mark the center of the holes on the surface mount base. After you have made your marks, set aside the Instrument in order to drill for anchor holes. With a hammer or rotary drill, drill through concrete at marked locations. Drill to a minimum depth of 4". A 3/8" masonry drill bit will be needed.
3. Place the Instrument back over the drilled out holes. Insert provided anchor bolts into aligned holes. Position anchor nut so that it is flush with the top of the bolt. Pound anchor bolts into the hole until the anchor washer is flush with the surface mount base. Tighten anchor bolts until they are snug. Cover remaining bolt sections with provided nut caps.
4. Verify the correct placement, levelness, and finished height of the Instrument. Check for sufficient clearance around the Instrument, a 36" perimeter around the Instrument is recommended for wheelchair accessibility.
5. If installing onto wet concrete, us the wet set anchor manufacturers guidelines for installation procedures.

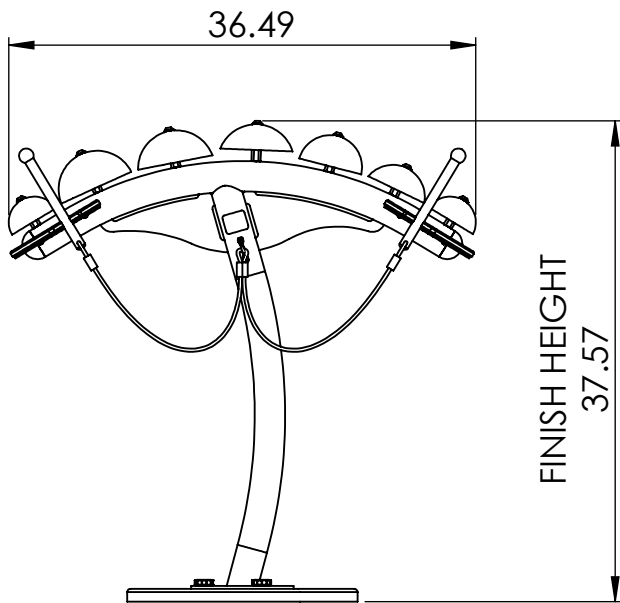


CATERPILLAR BELLS: PORTABLE MOUNT INSTALLATION

1. With two people have one situate the Instrument Assembly onto the Portable Stand and align the holes.
2. Have the second person secure the Instrument to the Portable Stand with the provided 3/8"-16 Thumb Screws. Thumb Screws should be tightened snugly to prevent any raddling during play. The 3/8"-16 Hex Nuts are prepressed into the Portable Stand from the Factory.



TOP VIEW



SIDE VIEW

