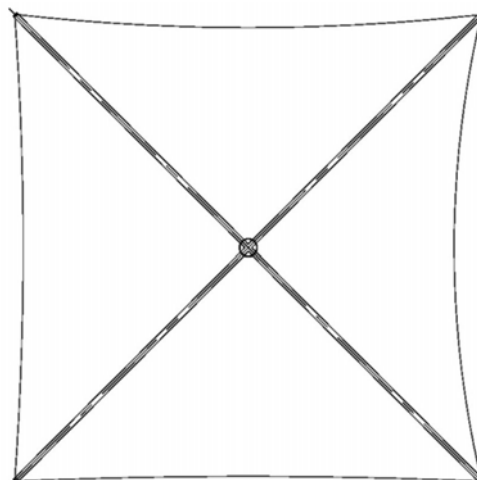
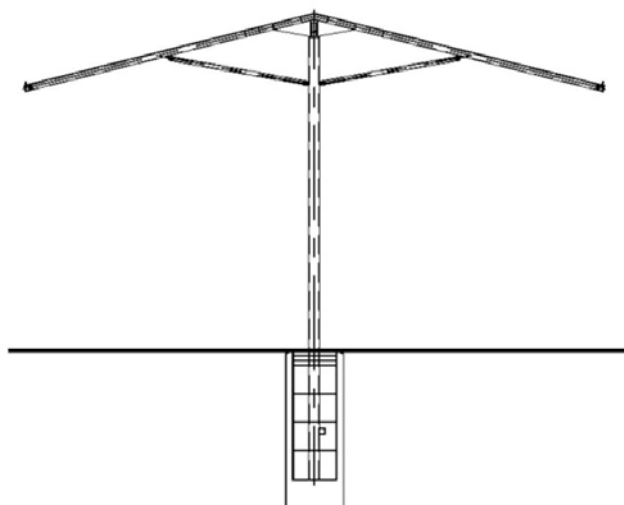


# Center Post Umbrella Installation Instructions



Customer support available by calling **1.877.385.3444**

Please review entire installation packet prior to installation. In order to meet the guidelines for your shade warranty you must install using correct procedures and hardware. Thanks for purchasing Modern Shade products; we would appreciate any feedback at **[info@modernshadellc.com](mailto:info@modernshadellc.com)**



## SETTING PIERS

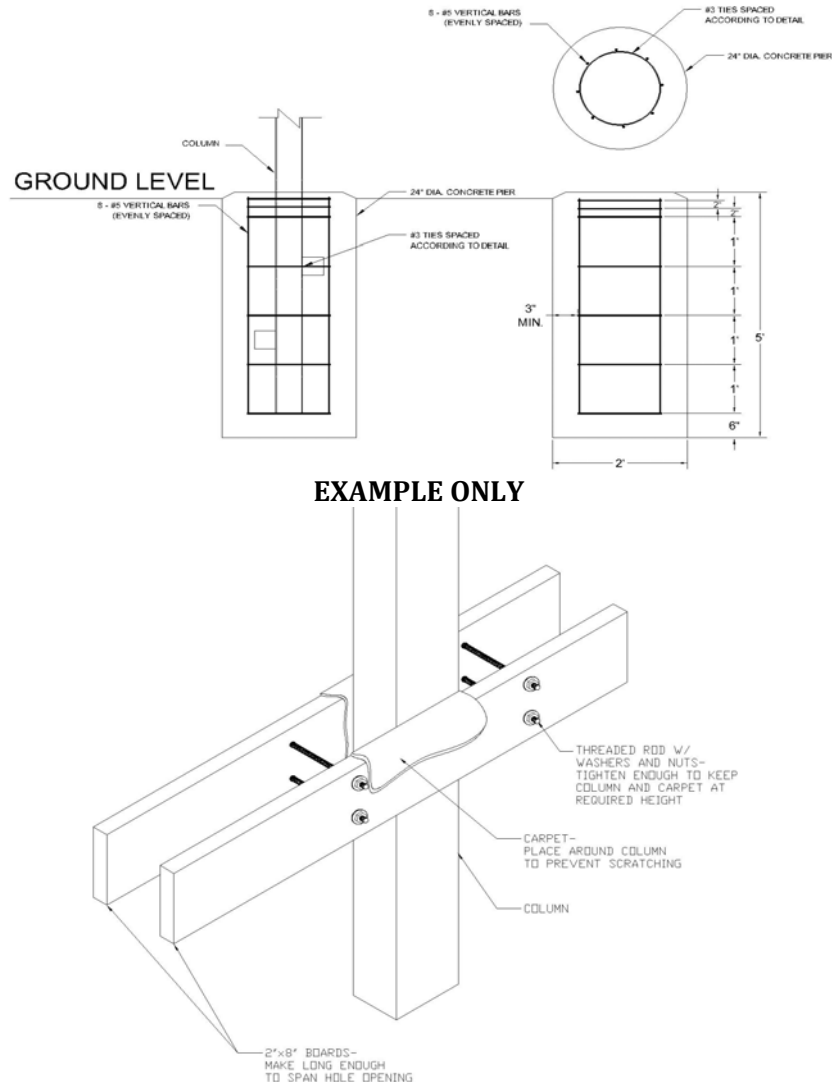
- First, verify the correct location with customer as to where the shade structure will be placed.
- Mark where each pier will go using chalk lines or preferred method to ensure all piers are in the right spot, the columns for the shade structure will set down in the piers if it is a "dig" structure, or bolted to the pier with epoxy anchors if it is a "bolt-down" structure.

-Set concrete piers in ground according to drawing detail provided by Modern Shade. Verify that all piers are at correct height and that they are all level with each other. For Center Post Umbrella you will set one pier and one column.

### Dig Piers:

-Sink each column into the piers according to the detail drawings provided by Modern Shade, verifying that all columns are level with each other. The pier will then be filled up with concrete to hold the column in place.

-Below is a top & elevation view of a standard pier (drawing below is for example only, reference detail provided by Modern Shade for your specific pier detail).

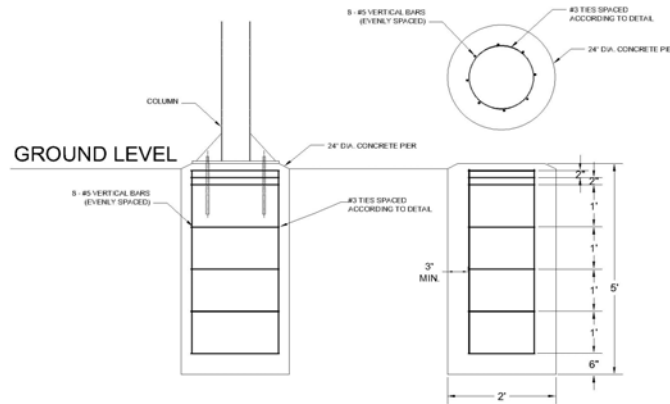


## Bolt Down Piers:

-If your structure is a “bolt down” unit, the pier will be filled with concrete first.

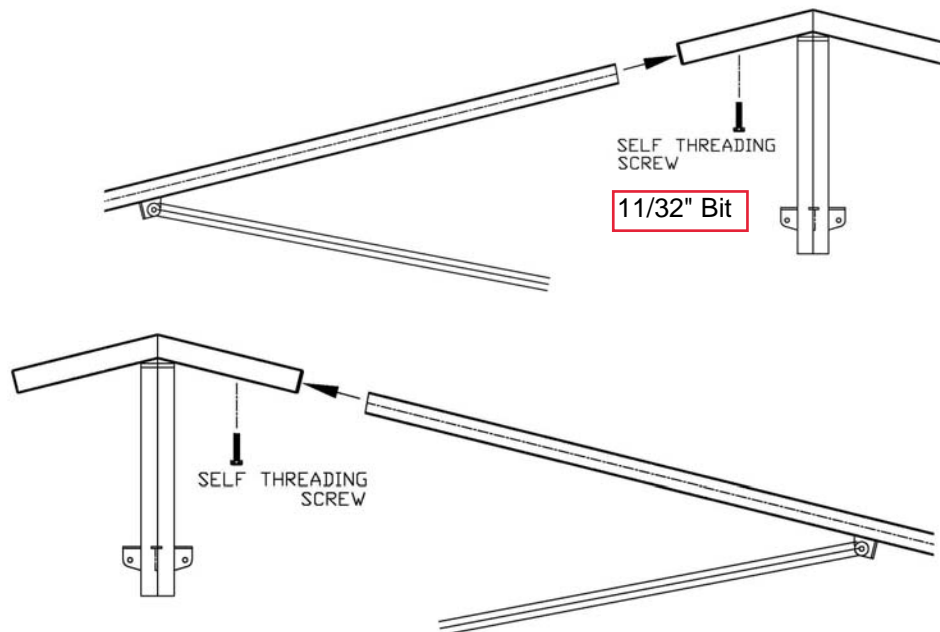
-Then the columns will be bolted to the pier using embedded anchor bolts (either hex head anchor bolts, or epoxy anchor bolts-see detail provided for your specific application).

-Below is a top & elevation view of a standard pier (drawing below is for example only, reference detail provided by Modern Shade for your specific pier detail).

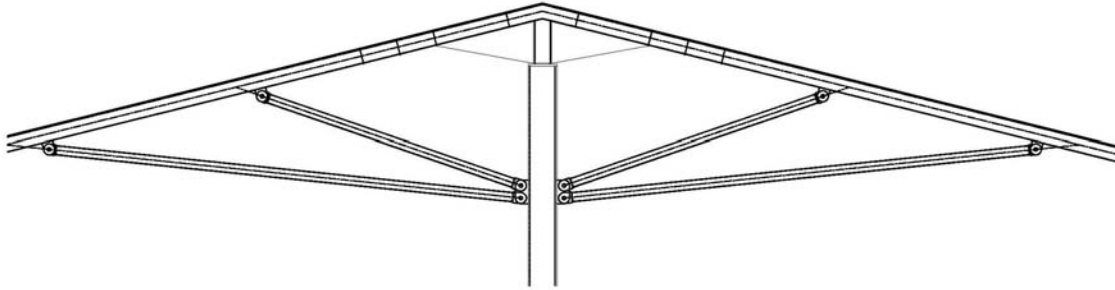


### **EXAMPLE ONLY** Steel Component Assembly

1. Place 2 rafters on Spider legs and secure with hardware provided. Repeat the same process on the opposite side



-If brace arms are necessary for your structure, secure one end of the brace arm to the bracket welded on the hoop and the opposite end is secured to the bracket welded on the horizontal component of the spider. Repeat this process if additional brace arms were supplied for your structure.



-At this time, apply a bead of clear silicone around all slip fit connections to prevent moisture from entering and causing rust issues.

-The steel component assembly is now complete!

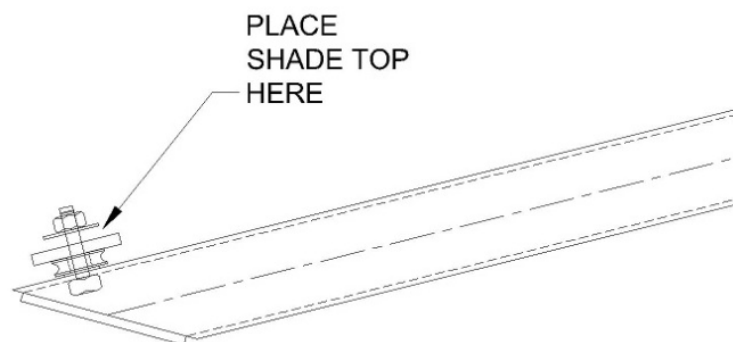
### SHADE CANOPY TOP INSTALLATION

-Carefully remove the shade top from the packaging as not to snag or catch it on anything, keep away from any heat source or open flames. Do not allow the top to be walked on or placed over gravel or other items that may snag the material.

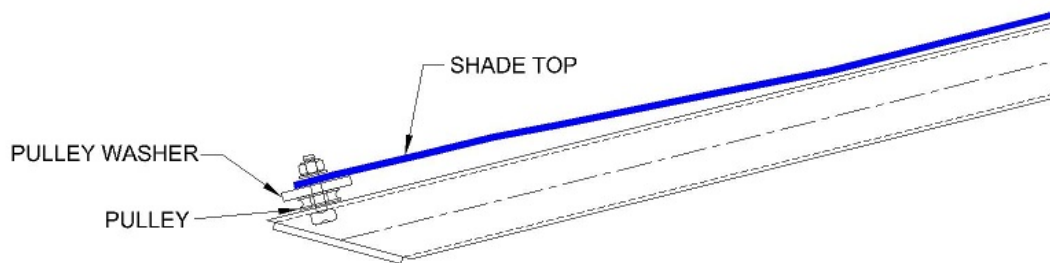
**\*\*NEVER USE KNIVES TO REMOVE SHADE CANOPY FROM PACKAGING!!\*\***

**You will need to stretch the fabric slowly during this process. The method Modern Shade suggests is to pull the fabric until resistance is met, pause for approx 3-5 minutes, the stretch the fabric 3-4 inches and repeat until top is placed on attachment point.**

-Place the supplied washer, pulley, and sheave washer on to the threaded bolt that is welded on top of the rafter elbow. Do this on all 4 corners.

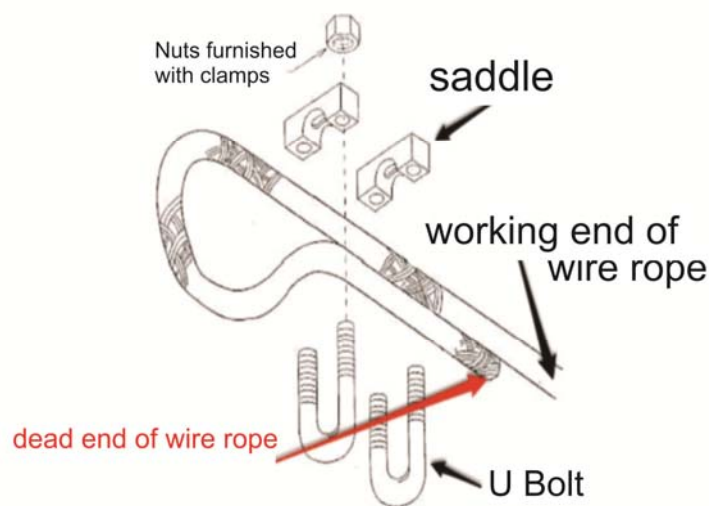


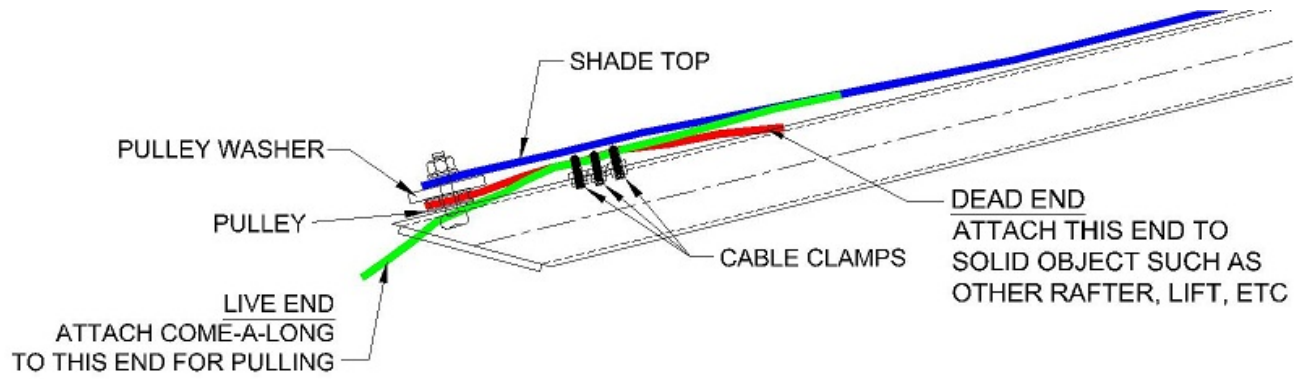
- Next, lay the shade top over the upper structure and unfold it by rolling it down. We recommend using the structure to assist you in unfolding the top to keep the fabric from getting dirty on the ground.
- Stretch the top to all 4 corners, hooking the grommet on to the threaded bolt at the elbow. The last corner should be difficult to get the grommet over the bolt; the top is built to fit tight over the structure.
- Once the canopy top is stretched over all 4 corners, secure it with the supplied flat washer and lock nut. Below is an illustration of how the top should look right now...



- Next, starting at any corner preferred, run the supplied cable through the cable pocket. Exiting and entering at each corner. At each corner where the cable exits the cable pocket of the canopy top, run the cable around the already installed pulley before entering the cable pocket again.
- Once the last step is complete, the cable should meet back up where you started (You now should have both ends of the cable at the same corner).
- Attach both ends of the cable together by installing 2 of the supplied cable locks loosely around the 2 cable ends. One end will be the "dead end" and should be attached to a solid object such as the column or something stationary nearby (you can loop the cable around and hold it in place with a cable clamp). The other end will be the "live end," used for pulling the cable tight with a come-a-long or cable puller. See illustration below for clarity...

**TIP: "Never Saddle a Dead Horse"**





-Once the “live end” is attached to the come-a-long, secure the come-a-long to a nearby stationary object. This can be a strap attached to another column, lift or other item that will let you pull the cable in plane with the top. Begin pulling the cable to tighten the top. Be careful as not to over tighten the canopy top the point of bending the columns. Once tight, the top should feel like a trampoline and the canopy top should be able to flex no more than 6 inches.

-Next, tighten the 3 cable locks that were previously installed. Once the cable locks are tight, both the “live end” and “dead end” can be removed from the come-a-long and stationary object. Tuck any excess cable into the cable pockets of the canopy top.

**-The installation of your custom shade structure is now complete!**

