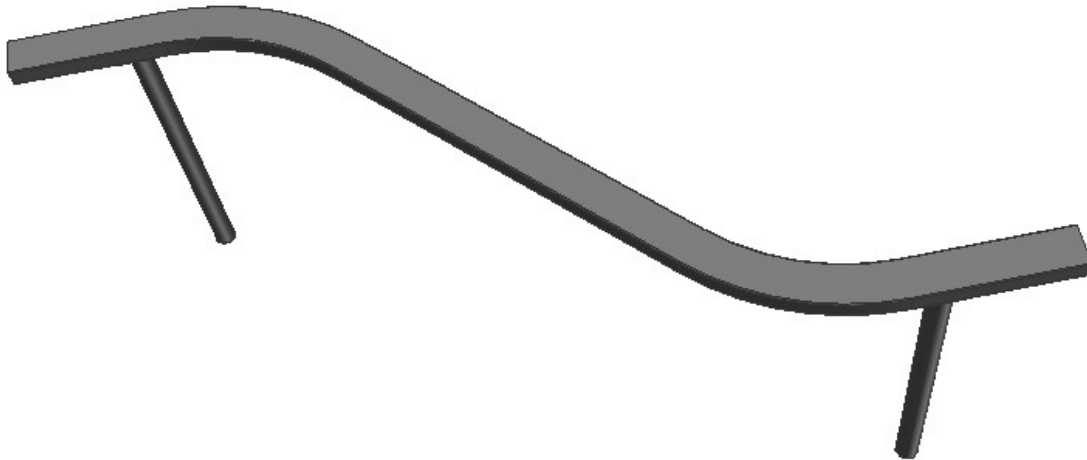


BALANCE BEAM Assembly Instructions:



- Please read and follow all **Safety Information**.
- Please review assembly and component **Diagrams**.
- Verify **component & hardware** quantities received.
- Familiarize yourself with the **installation procedures**.

Safety

- Play site ground material should only be of an approved, shock-absorbing type and meet minimum depth requirements. **NEVER** install playground equipment over paved or hard surfaces.
- Be sure that minimum fall zone requirements are met.
- Do not allow children to play on or near equipment which is in need or repair or replacement, is incomplete or is otherwise considered unsafe.

Parts Inventory and Set-Up

Confirm that all components, hardware and special tools are included (see **Parts List**).
Gather any addition tools necessary for installation (hex driver, level, tape measure, etc)
Please follow diagrams and instructions in order.

1) Site location and Preparation

Be sure site is of adequate size- allow for minimum fall zones (see **Layout Diagram**).
Be sure site is graded, level and free of debris for proper set-up and assembly..
Measure and mark site to determine structure location and orientation.

2) **Assembly- General**




Please use correct type and length fasteners as shown in the installation procedure. Before setting Play Structure modules in place, verify all hardware has been tightened. Be sure to follow the assembly order to ease the construction procedure.

3) **Installation Procedure**

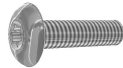
After measurement and layout of site, carefully measure for ground anchor locations. Confirm footer locations- dig, pour and set footers, locating one module at a time. Be sure Play Structure remains level and square to previous modules before continuing. After all the ground anchors have been set, do not move or mount hardware for (3)days.

PARTS LIST

Steel Frame Components:

Item	Qty.	Description	Drawing	Part Number
SA	(1)	Balance Beam		250-00004-B/G
		<u>OR</u>		250-00002-B/G
SB	(2)	Beam Post		250-00006-B/G

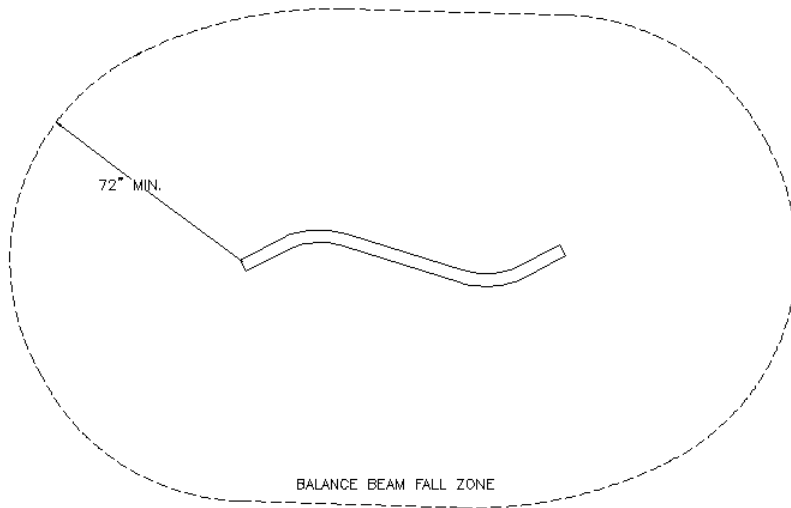
Hardware Components:0-BBHWKIT

Item	Qty.	Description	Drawing	Part Number
HA	(8)	5/16" X 3/4"lg SS Torx Bolt		100-51634

Tools:

Item	Qty.	Description	Drawing	Part Number
TA	(1)	T-40 Torx Driver Bit		100-00T40

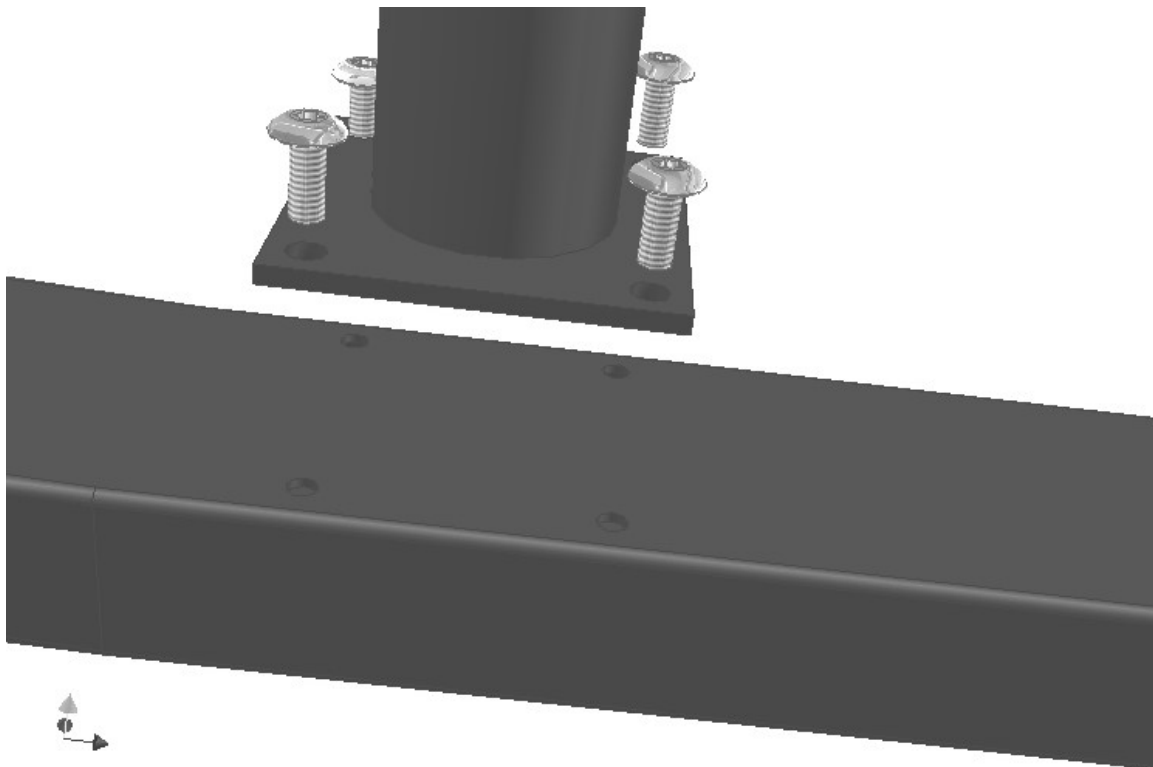
Layout Diagram



NOTE: Overhead views are for planning purposes only.
Please follow guidelines as specified by the CPSC and ASTM F1487.

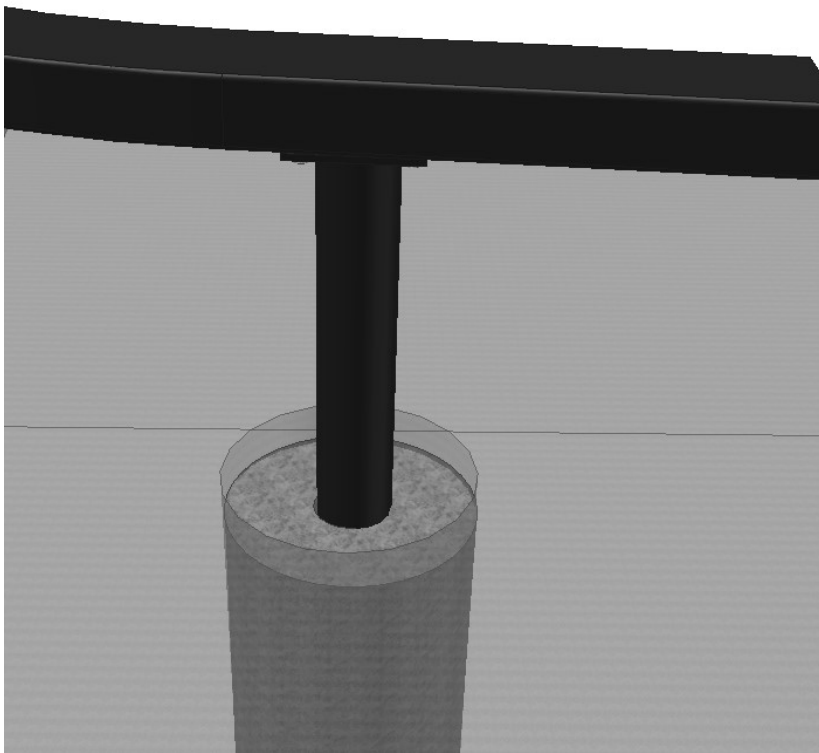
Installation procedure:

- 1) Locate (2) Beam Posts (**SB**) and mount to Balance Beam (**SA**) using (4) Torx Bolts (**HA**) per post, securely tighten fasteners with Torx driver bit provided.



Step 1- Beam mounting detail.

- 2) When you are ready to mount the Balance Beam into the ground, determine the location, measure and dig (2) holes approx. 8” diameter by 24” deep. Mix and pour concrete into holes, leaving concrete 2” below ground level. With assistance, lower the Balance Beam into the concrete- securely prop Balance Beam with wood or similar temporary bracing structural material approx. 12” above ground level. Let structure remain undisturbed for (3) days minimum until concrete has fully set. Finally, cover exposed concrete with dirt and tamp to ground level. Cover entire play area with an approved ground surfacing material as per CPSC guidelines.



Footer Detail

Rev	Date	Init.	Remarks
A	4-27-12	DAH	Reviewed and moved to MiSys