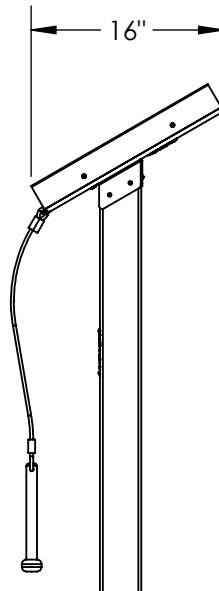
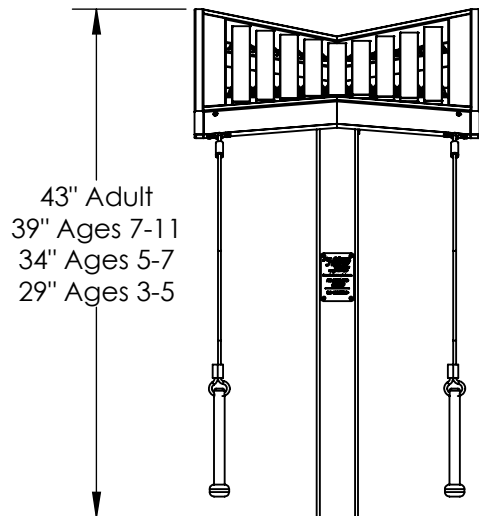
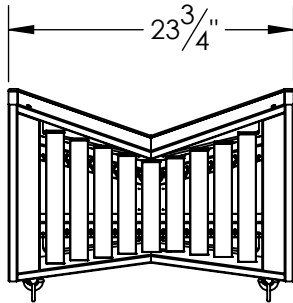
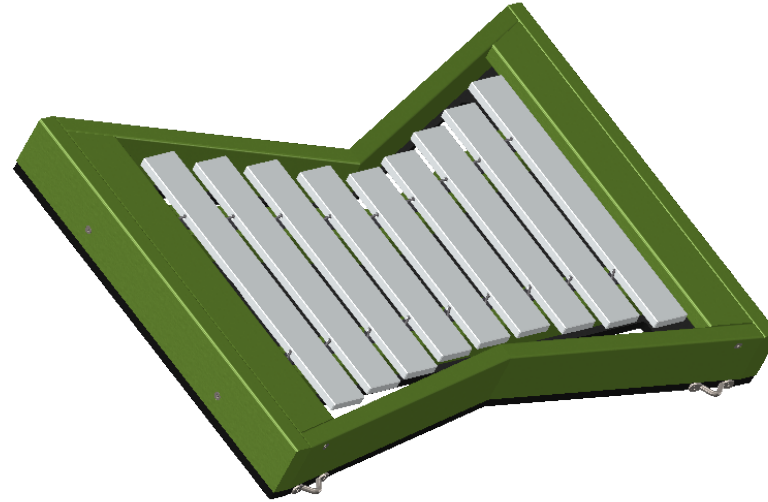


MELODY INSTALLATION GUIDE



Main Features:

- C Major Diatonic
- Recycled HDPE Frame
- Anodized Aluminum Bars
- Stainless Steel Hardware

Contents:

- SHEET 2 - Parts List and Instrument to Post Installation
- SHEET 3 - In Ground Installation
- SHEET 4 - Surface Mount Installation

Weights:

- Instrument Weight, 18lbs.
- Boxed Instrument Weight, 25lbs.
- Boxed Instrument Post Weight, 20-36lbs.

TITLE:
Melody - Installation Guide

DWG. NO. MELD-INSTALL

REVISION: B

SCALE: 1:16

DATE: 3/22/2018

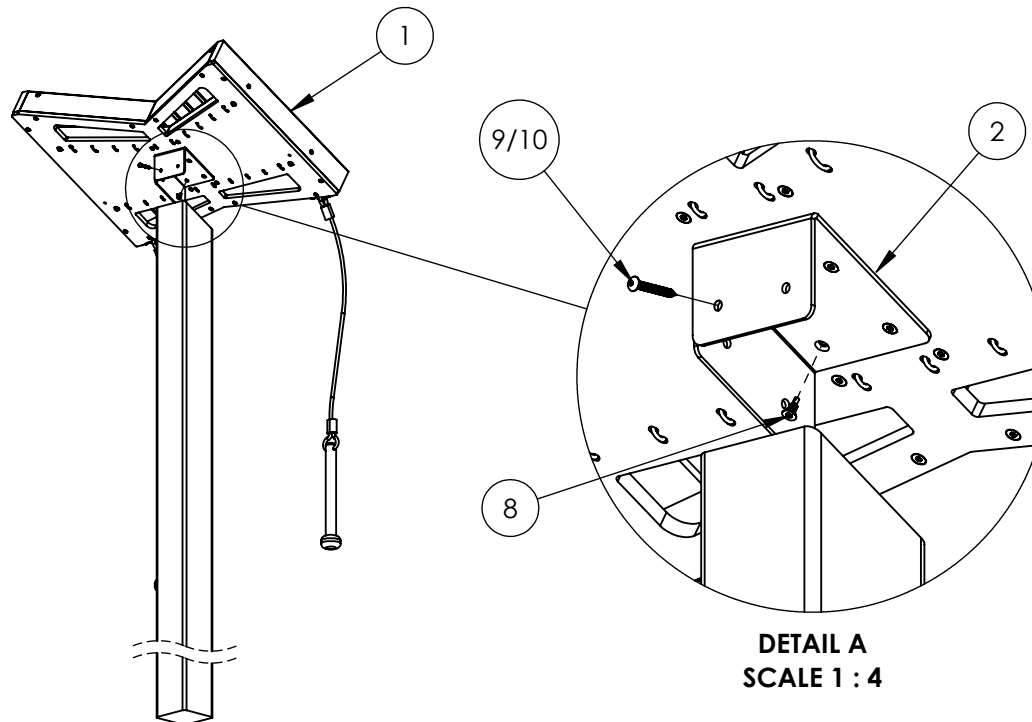
SHEET 1 OF 4

Parts List:

ITEM NO.	PART DESCRIPTION	In Ground - Recycled Post/QTY.	In Ground - Steel Post/QTY.	Surface Mount - Recycled Post/QTY.	Surface Mount - Steel Post/QTY.
1	Melody Instrument Assembly	1	1	1	1
2	Small SS Holster	1	1	1	1
3	In Ground Recycled Post, 72"lg.	1	-	-	-
4	In Ground Steel Post, 72"lg.	-	1	-	-
5	Surface Mount Recycled Post, 36"lg.	-	-	1	-
6	Surface Mount Steel Post, 36"lg.	-	-	-	1
7	Surface Mount Base, For Recycled Post	-	-	1	-
8	#8 Flat Head Screw, .5"lg. SS, T15 tamp	4	4	4	4
9	#8 Button Head Screw, 1.25"lg. SS, T15 tamp	5	-	5	-
10	#10-24 Button Head Machine Screw, 1"lg. SS, T25 tamp	-	5	-	5
11	5/16" Hex Head Lag Bolt, 5"lg. SS	-	-	2	-
12	3/8"-16 Wedge Expansion Anchor, SS	-	-	4	4
13	35/64" Hex Nut Cap	-	-	4	4
14	Security Driver	1	2	1	2

Step 1: Start by mounting the Holster to the Instrument Back with the provided #8 Flat Head Screws and Driver. The Back comes predrilled. Screw heads should be flush with the Holster surface when properly installed. Holster should also be flush along the back. Drive Screws slowly to prevent stripping.

Step 2: With two people, situate the Instrument with Holster installed onto the Post. Posts come predrilled and/or tapped. Fasten the Instrument to the Post with the provided #8 Button Head Screw for Recycled Posts or #10-24 Button Head Machine Screw for Steel Posts. Drivers are provided.



Step 1: Excavate one 10" diameter hole, 36" deep, at the installation location. Contractor can modify Post to desired height.

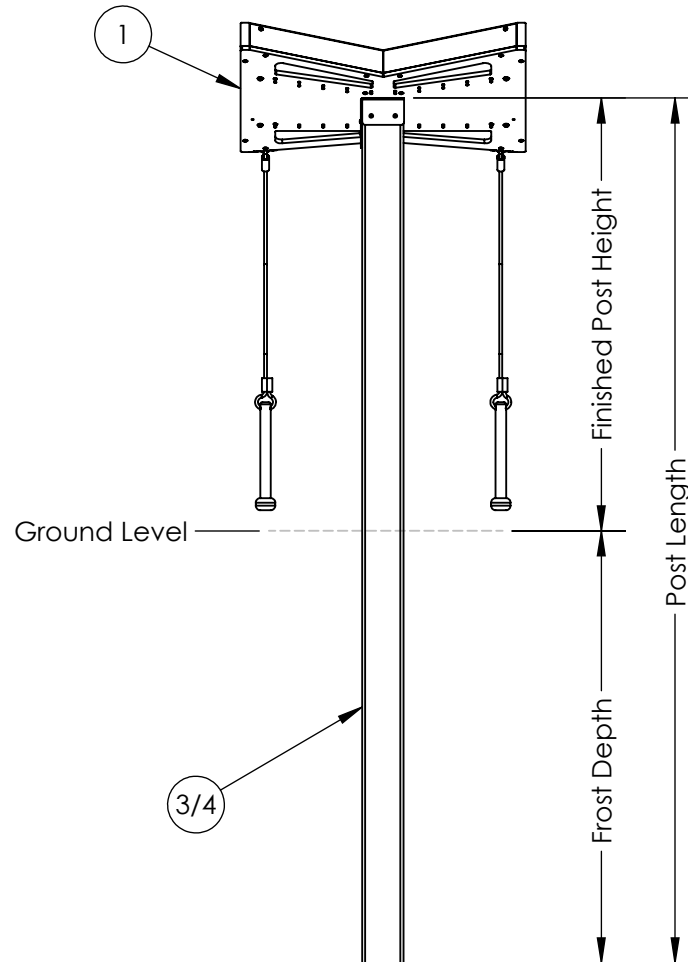
Post Length = Frost Depth (36" Recommended) + Finished Post Height

Finished Post Height Guideline: (Ages 3-5, 22") (Ages 5-7, 27") (Ages 7-11, 32") (Adult, 36")

Step 2: With two people, lower the Post with the Instrument attached into the excavated hole.

Step 3: Verify the correct placement, levelness, and finished height of the Instrument. Check for sufficient clearance around the Instrument, a 36" perimeter around the Instrument is recommended for wheelchair accessibility.

Step 4: Last pour concrete around the post. It is recommended to brace the Instrument to hold it rigid while the concrete cures. Leave to set according to the concrete manufacturers guidelines. Approximately (3) 80lb. bags will be needed.



TITLE:

In Ground Installation

DWG. NO. MELD-INSTALL

REVISION: B

SCALE: 1:16

DATE: 3/22/2018

SHEET 3 OF 4

Step 1: Standard height for Surface Mount Posts are 36". The Recycled Post may be modified in the field to the following heights:
(Ages 3-5, 22") (Ages 5-7, 27") (Ages 7-11, 32") (Adult, 36")

The height of Surface Mount Steel Posts can not be adjusted.

Step 2: Determine installation location. Verify concrete footing is a minimum of 24" long x 24" wide x 6" thick. If the concrete pad is at an angle, steel washers are required to act as shims (Shims not provided). If there is not already an existing pad, approximately (4) 80lb. bags will be needed. Allow concrete to cure per concrete manufacturers guidelines.

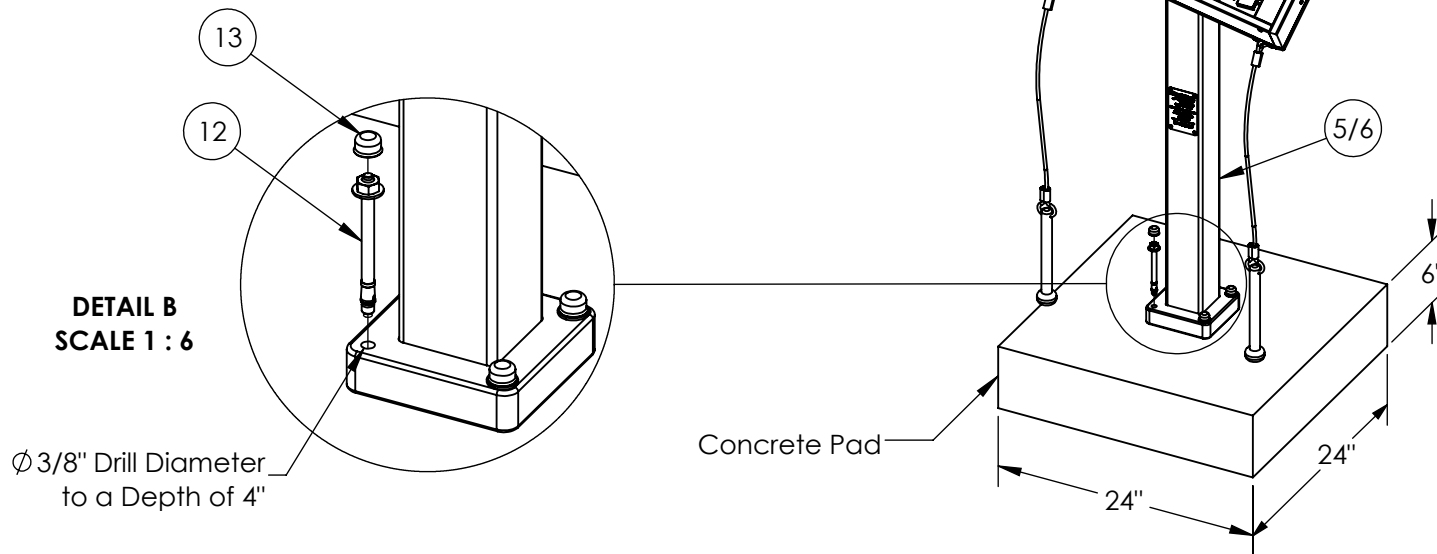
Step 3 (Recycled Post Only): Install the Surface Mount Base to the bottom of the Post. Align the holes on the Base with the holes on the Post. The Base should fit snugly around the Post. Fasten them together with the provided 5/16" Hex Head Lag Bolts.

Step 4: With two people place the Instrument Assembly with Post attached onto the concrete pad and mark the center of the holes on the surface mount base. After you have made your marks, set aside the Instrument in order to drill for anchor holes. With a hammer or rotary drill, drill through concrete at marked locations. Drill to a minimum depth of 4". A 3/8" masonry drill bit will be needed.

Step 5: Place the Instrument back over the drilled out holes. Insert provided anchor bolts into aligned holes. Position anchor nut so that it is flush with the top of the bolt. Pound anchor bolts into the hole until the anchor washer is flush with the surface mount base. Tighten anchor bolts until they are snug. Cover remaining bolt sections with provided nut caps.

Step 6: Verify the correct placement, levelness, and finished height of the Instrument. Check for sufficient clearance around the Instrument, a 36" perimeter around the Instrument is recommended for wheelchair accessibility.

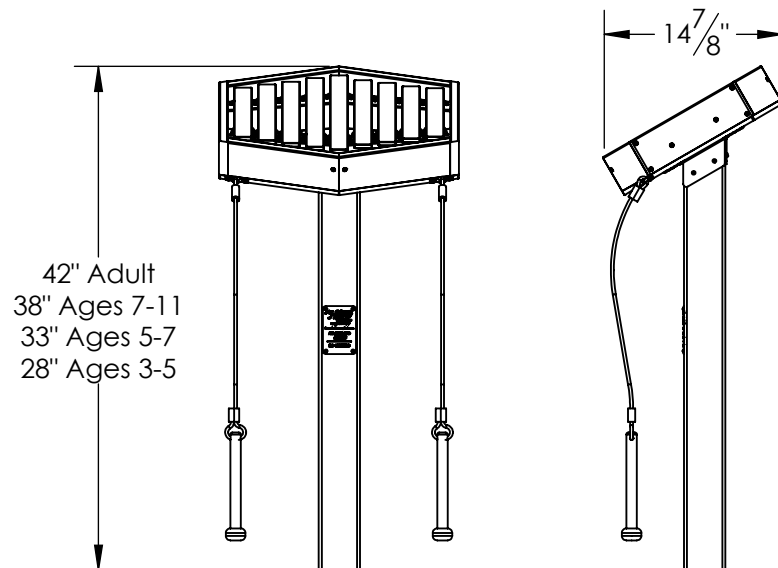
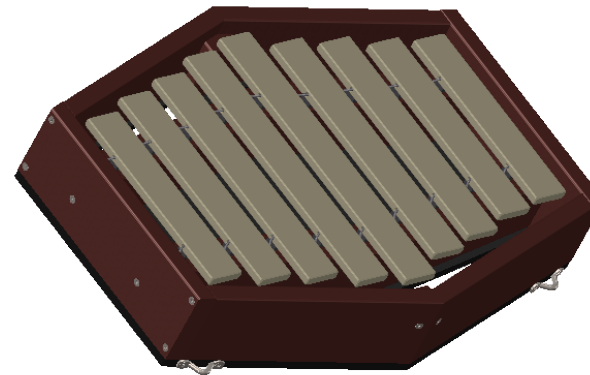
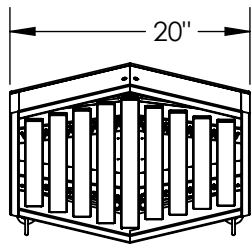
Step 7: If installing onto wet concrete, us the wet set anchor manufacturers guidelines for installation procedures.



TITLE: Surface Mount Installation
DWG. NO. MELD-INSTALL

REVISION: B
SCALE: 1:16
DATE: 3/22/2018
SHEET 4 OF 4

RHYTHM INSTALLATION GUIDE



Main Features:

- C Major Diatonic
- Recycled HDPE Frame
- Coated Fiberglass Bars
- Stainless Steel Hardware

Contents:

- SHEET 2 - Parts List and Instrument to Post Installation
- SHEET 3 - In Ground Installation
- SHEET 4 - Surface Mount Installation

Weights:

- Instrument Weight, 13lbs.
- Boxed Instrument Weight, 20lbs.
- Boxed Post Weight, 20-36lbs.

TITLE:
 Rhythm - Installation Guide

DWG. NO. RHYT-INSTALL

REVISION: B

SCALE: 1:16

DATE: 3/23/2018

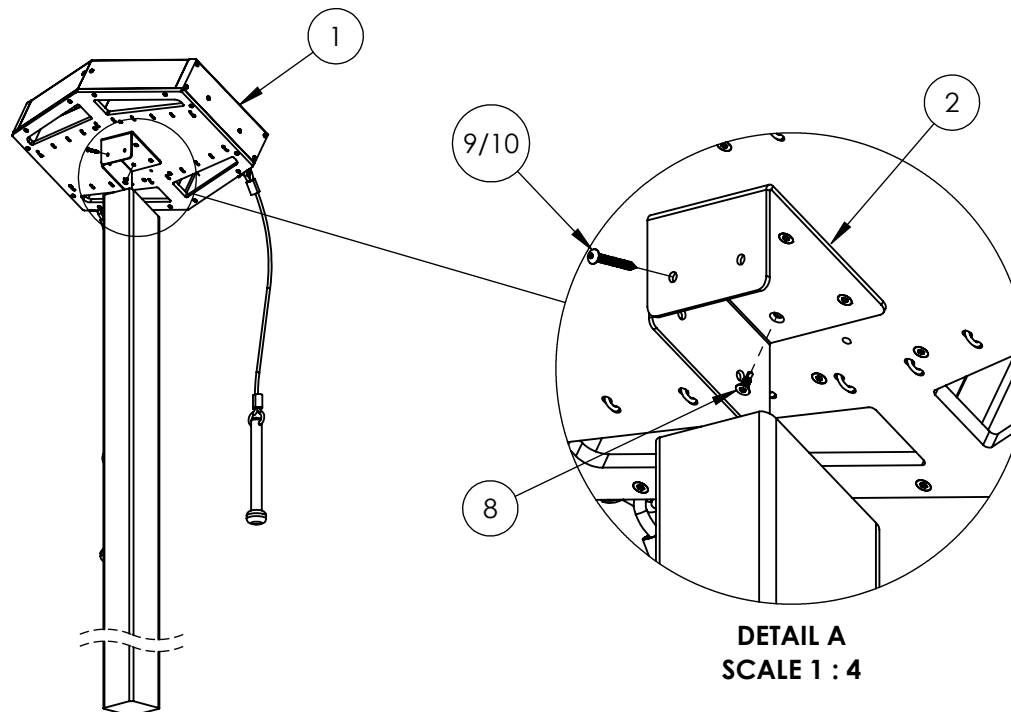
SHEET 1 OF 4

Parts List:

ITEM NO.	PART DESCRIPTION	In Ground - Recycled Post/QTY.	In Ground - Steel Post/QTY.	Surface Mount - Recycled Post/QTY.	Surface Mount - Steel Post/QTY.
1	Rhythm Instrument Assembly	1	1	1	1
2	Small SS Holster	1	1	1	1
3	In Ground Recycled Post, 72"lg.	1	-	-	-
4	In Ground Steel Post, 72"lg.	-	1	-	-
5	Surface Mount Recycled Post, 36"lg.	-	-	1	-
6	Surface Mount Steel Post, 36"lg.	-	-	-	1
7	Surface Mount Base, For Recycled Post	-	-	1	-
8	#8 Flat Head Screw, .5"lg. SS, T15 tamp	4	4	4	4
9	#8 Button Head Screw, 1.25"lg. SS, T15 tamp	5	-	5	-
10	#10-24 Button Head Machine Screw, 1"lg. SS, T25 tamp	-	5	-	5
11	5/16" Hex Head Lag Bolt, 5"lg. SS	-	-	2	-
12	3/8"-16 Wedge Expansion Anchor, SS	-	-	4	4
13	35/64" Hex Nut Cap	-	-	4	4
14	Security Driver	1	2	1	2

Step 1: Start by mounting the Holster to the Instrument Back with the provided #8 Flat Head Screws and Driver. The Back comes predrilled. Screw heads should be flush with the Holster surface when properly installed. Holster should also be flush along the back. Drive Screws slowly to prevent stripping.

Step 2: With two people, situate the Instrument with Holster installed onto the Post. Posts come predrilled and/or tapped. Fasten the Instrument to the Post with the provided #8 Button Head Screw for Recycled Posts or #10-24 Button Head Machine Screw for Steel Posts. Drivers are provided.



Step 1: Excavate one 10" diameter hole, 36" deep, at the installation location. Contractor can modify Post to desired height.

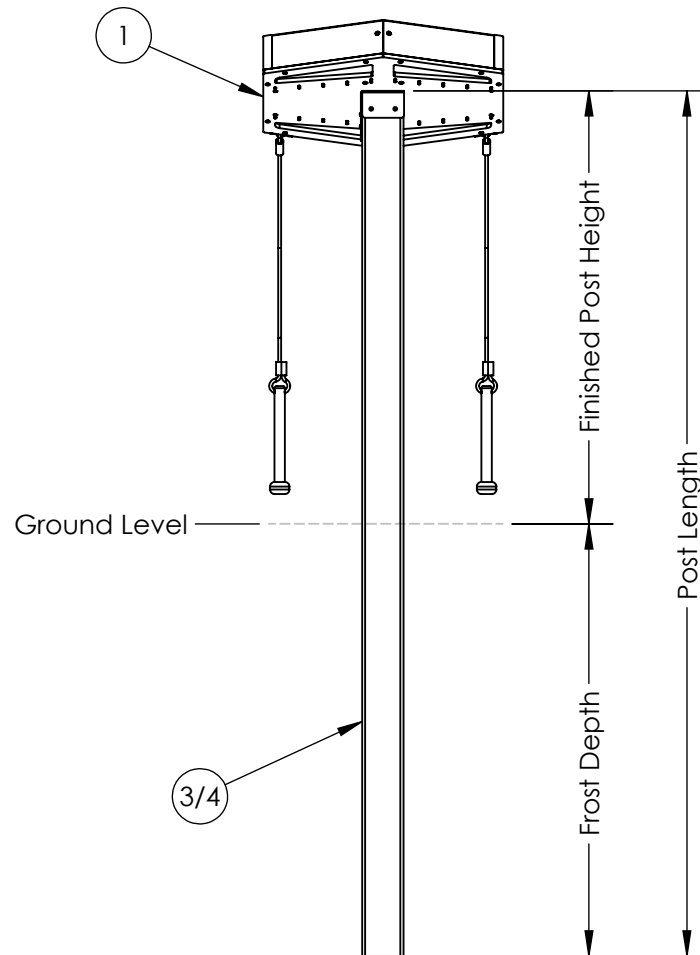
Post Length = Frost Depth (36" Recommended) + Finished Post Height

Finished Post Height Guideline: (Ages 3-5, 22") (Ages 5-7, 27") (Ages 7-11, 32") (Adult, 36")

Step 2: With two people, lower the Post with the Instrument attached into the excavated hole.

Step 3: Verify the correct placement, levelness, and finished height of the Instrument. Check for sufficient clearance around the Instrument, a 36" perimeter around the Instrument is recommended for wheelchair accessibility.

Step 4: Last pour concrete around the post. It is recommended to brace the Instrument to hold it rigid while the concrete cures. Leave to set according to the concrete manufacturers guidelines. Approximately (3) 80lb. bags will be needed.



TITLE:

In Ground Installation

DWG. NO. RHYT-INSTALL

REVISION: B

SCALE: 1:16

DATE: 3/23/2018

SHEET 3 OF 4

Step 1: Standard height for Surface Mount Posts are 36". The Recycled Post may be modified in the field to the following heights:
(Ages 3-5, 22") (Ages 5-7, 27") (Ages 7-11, 32") (Adult, 36")

The height of Surface Mount Steel Posts can not be adjusted.

Step 2: Determine installation location. Verify concrete footing is a minimum of 24" long x 24" wide x 6" thick. If the concrete pad is at an angle, steel washers are required to act as shims (Shims not provided). If there is not already an existing pad, approximately (4) 80lb. bags will be needed. Allow concrete to cure per concrete manufacturers guidelines.

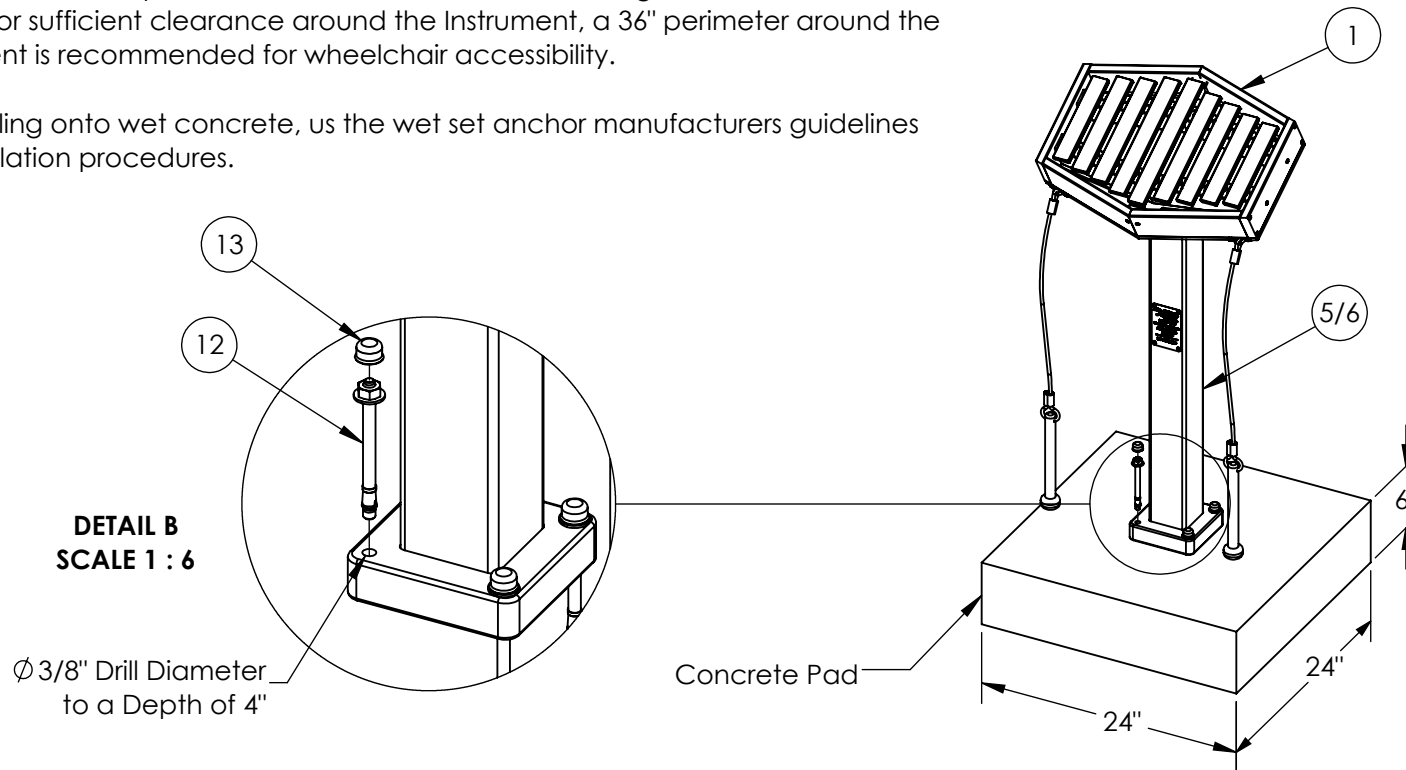
Step 3 (Recycled Post Only): Install the Surface Mount Base to the bottom of the Post. Align the holes on the Base with the holes on the Post. The Base should fit snugly around the Post. Fasten them together with the provided 5/16" Hex Head Lag Bolts.

Step 4: With two people place the Instrument Assembly with Post attached onto the concrete pad and mark the center of the holes on the surface mount base. After you have made your marks, set aside the Instrument in order to drill for anchor holes. With a hammer or rotary drill, drill through concrete at marked locations. Drill to a minimum depth of 4". A 3/8" masonry drill bit will be needed.

Step 5: Place the Instrument back over the drilled out holes. Insert provided anchor bolts into aligned holes. Position anchor nut so that it is flush with the top of the bolt. Pound anchor bolts into the hole until the anchor washer is flush with the surface mount base. Tighten anchor bolts until they are snug. Cover remaining bolt sections with provided nut caps.

Step 6: Verify the correct placement, levelness, and finished height of the Instrument. Check for sufficient clearance around the Instrument, a 36" perimeter around the Instrument is recommended for wheelchair accessibility.

Step 7: If installing onto wet concrete, us the wet set anchor manufacturers guidelines for installation procedures.



TITLE:
Surface Mount Installation

DWG. NO. RHYT-INSTALL

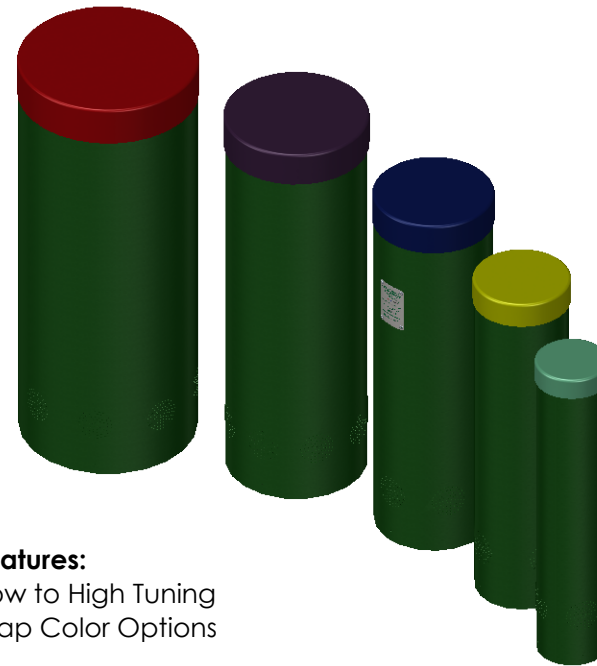
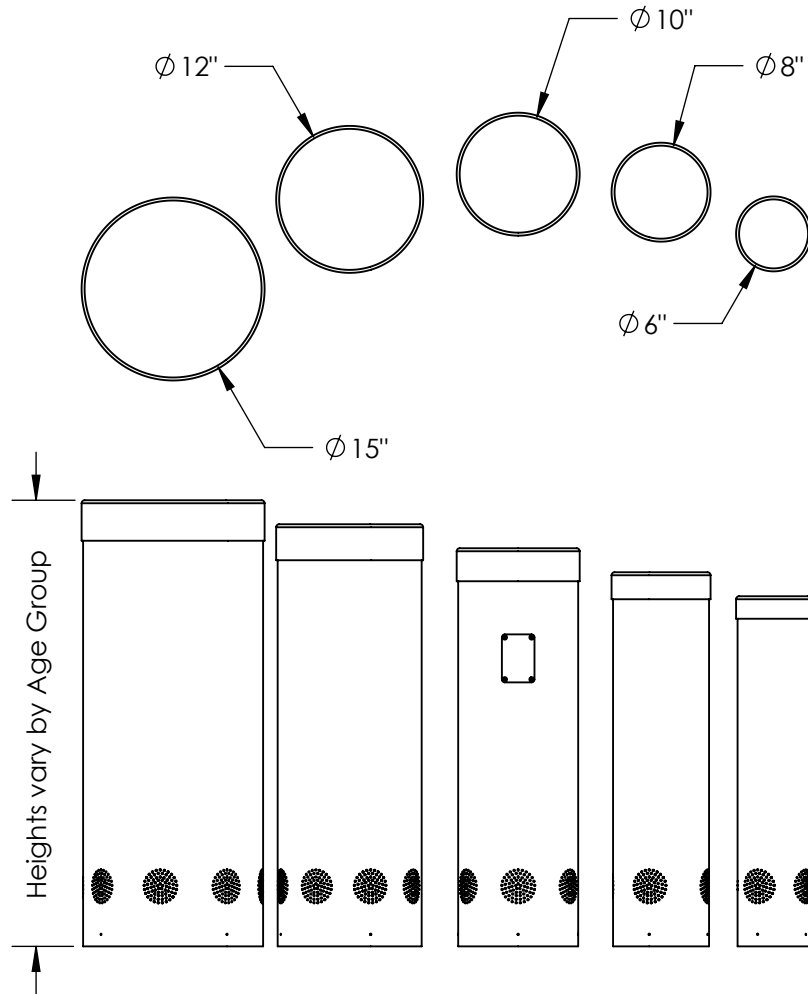
REVISION: B

SCALE: 1:16

DATE: 3/23/2018

SHEET 4 OF 4

TUNED DRUMS INSTALLATION GUIDE



Main Features:

- Low to High Tuning
- Cap Color Options

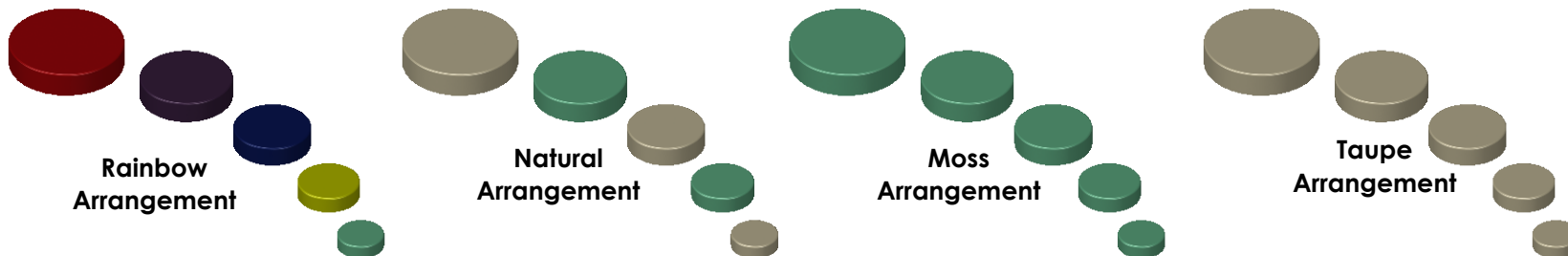
Contents:

- SHEET 2 - In Ground Installation w/ Parts List
- SHEET 3 - Surface Mount Installation w/ Parts List

Weights:

- Instrument Total Weight, 60-84lbs.
- Boxed Instrument Total Weight, 90-110lbs.
- Individual Drum Weights vary per style and finished height selection

Cap Color Options:



TITLE:

Tuned Drums - Installation Guide

DWG. NO. TD-INSTALL

REVISION: NA

SCALE: 1:16

DATE: 2/9/2018

SHEET 1 OF 3

Parts List:

ITEM NO.	DESCRIPTION	QTY.	NORMAL FINISHED HEIGHT	TODDLER FINISHED HEIGHT
1	Ø 15" In Ground Tuned Drum	1	37"	29"
2	Ø 12" In Ground Tuned Drum	1	35"	27.5"
3	Ø 10" In Ground Tuned Drum	1	33"	26"
4	Ø 8" In Ground Tuned Drum	1	31"	24.5"
5	Ø 6" In Ground Tuned Drum	1	29"	23"

Step 1: Arrange Drums in desired location and pattern. Drums can be laid out in any configuration desirable, but must be installed less than 3" or greater than 9" apart. **WARNING: Between 3" and 9" there lies a chance for a child's head to get stuck.**
(Reference: US Consumer Product Safety Commission, Public Playground Safety Handbook)

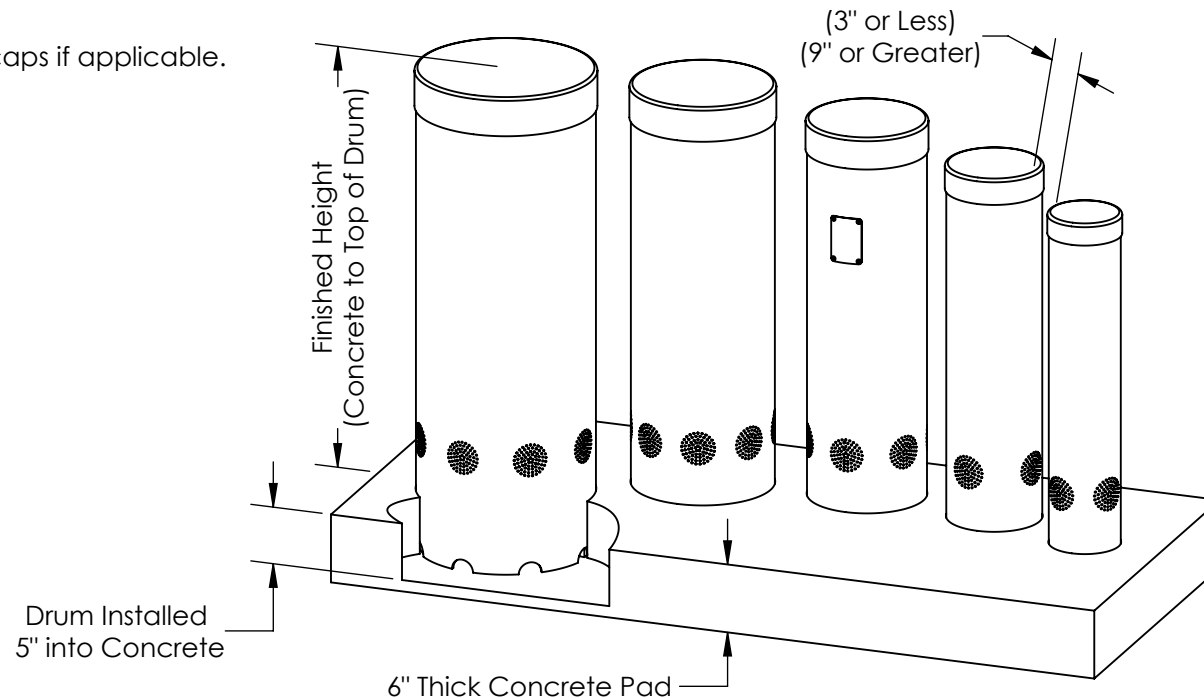
Step 2: Determine border of trench for concrete pad. Trench should be a minimum of 6" deep. Concrete pad should perform under local soil and weather conditions.

Step 3: Excavate trench to required depth. Check levelness of trench then pour concrete and fill trench completely per code requirements. Immediately after the concrete has been poured, drive the Tuned Drums into the wet concrete per your chosen layout.

Step 4: The bottom edge of the Drum Bases are scalloped to assist in their installation into the concrete. Twist Drums into concrete to a depth of 5". Check for plumbness, if needed brace the Drums to keep them rigid and in place during the curing process. Leave to set according to the concretemanufacturer's guidelines.

Step 5: Check for sufficient clearance around instruments. A 36" clearance is recommended around the the entire Drum arrangement for wheelchair accessibility, however this is not required for proper function. Drums may also be installed next to a wall or in a variety of different configurations.

Step 6: Remove plastic film from drum caps if applicable.



Parts List:				
ITEM NO.	DESCRIPTION	QTY.	NORMAL FINISHED HEIGHT	TODDLER FINISHED HEIGHT
1	Ø 15" Surface Mount Tuned Drum	1	37"	29"
2	Ø 12" Surface Mount Tuned Drum	1	35"	27.5"
3	Ø 10" Surface Mount Tuned Drum	1	33"	26"
4	Ø 8" Surface Mount Tuned Drum	1	31"	24.5"
5	Ø 6" Surface Mount Tuned Drum	1	29"	23"
6	Surface Mount Anchor Disc	5	-	-
7	Ø 1/4 x 3.25" Anchor Bolt, SS	15	-	-
8	#10 Button Head Screw, 2"lg. SS, T25 tamp	20	-	-
9	Security Driver	1	-	-

Step 1: Arrange Drums in desired location and pattern. Drums can be laid out in any configuration desirable, but must be installed less than 3" or greater than 9" apart.

WARNING: Between 3" and 9" there lies a chance for a child's head to get stuck.

(Reference: US Consumer Product Safety Commission, Public Playground Safety Handbook)

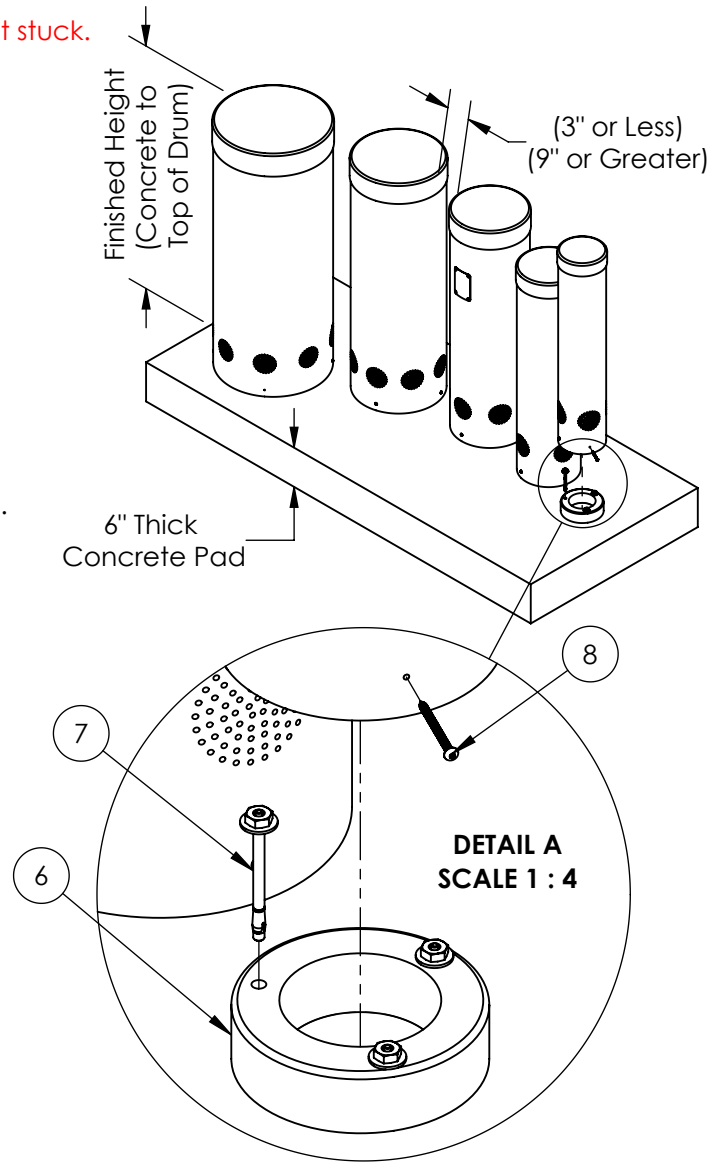
Step 2: Once you have decided your layout, replace drums with the provided Anchor Discs. Mark holes on the concrete through the (3) holes on all of the Anchor Discs. Set aside Discs, drill 1/4" holes 2" into concrete at marked locations. A Ø 1/4" masonry drill bit will be needed. Contractor to provide a concrete slab that will perform under local soil and weather conditions. (If anchoring to a material other than concrete, fasteners to be provided by the customer)

Step 3: Place the Anchor Discs back over the drilled out holes. Insert provided anchor bolts into aligned holes. Position anchor nut so that it is flush with the top of the bolt. Pound anchor bolts into the hole until the anchor washer is flush with the post base. Tighten anchor bolts until they are snug.

Step 4: Install the Drums over the Anchor Discs. Predrill (4) 1/8" holes in a 90° cross pattern, 1" up from the bottom of the drum. Drill through both Drum and Anchor Disc. When predrilling holes, make sure they clear the previously installed anchor bolts, and that there is clearance for the 2" screws to be installed without interfering with the other drums. Secure Drums to Discs with the provided #10 Button Head Screws and Driver.

Step 5: Check for sufficient clearance around instruments. A 36" clearance is recommended around the the entire Drum arrangement for wheelchair accessibility, however this is not required for proper function. Drums may also be installed next to a wall or in a variety of different configurations.

Step 6: Remove plastic film from drum caps if applicable.



FREENOTES HARMONY PARK
544 CHESTNUT ST.
CHATTANOOGA, TN 37402
TEL: 833.262.1569

WWW.FREENOTESHARMONYPARK.COM

PROPRIETARY AND CONFIDENTIAL
THE INFORMATION CONTAINED IN THIS
DRAWING IS THE SOLE PROPERTY OF
FREENOTES HARMONY PARK. ANY
REPRODUCTION IN PART OR AS A
WHOLE WITHOUT THE WRITTEN
PERMISSION OF FREENOTES HARMONY
PARK IS PROHIBITED.

TITLE: Surface Mount Installation with Parts List

DWG. NO. TD-INSTALL

REVISION: A

SCALE: 1:24

DATE: 2/9/2018

SHEET 3 OF 3