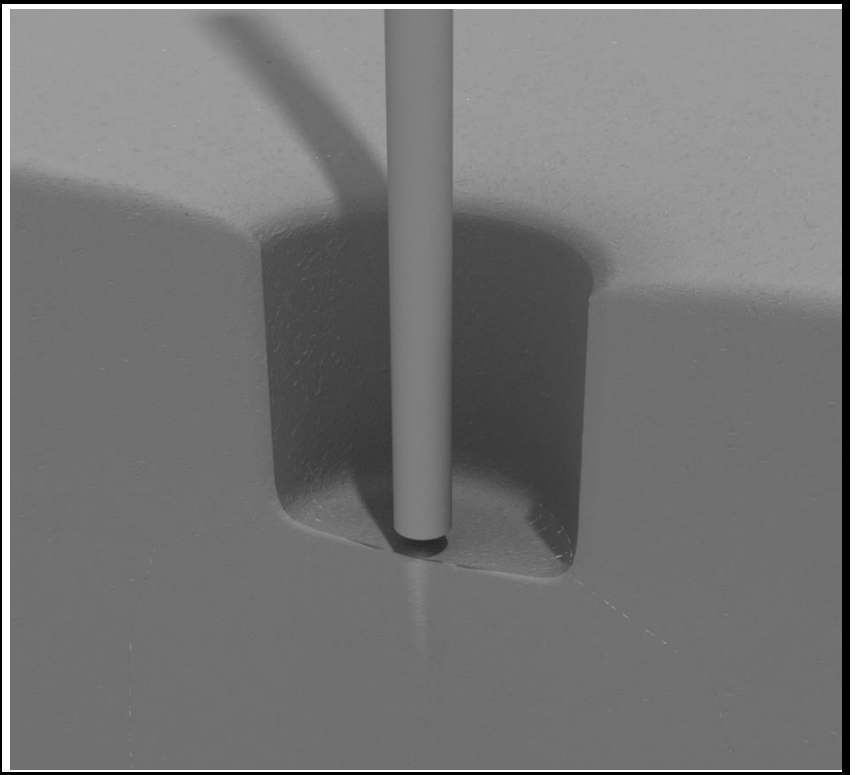


Royal Double Station Rower Install

STEP: 1

DO NOT CEMENT POSTS INTO PLACE UNTIL THE ENTIRE STRUCTURE IS ASSEMBLED.

Refer to the General Installation guide footing information and dig proper holes for the support posts.



STEP: 2

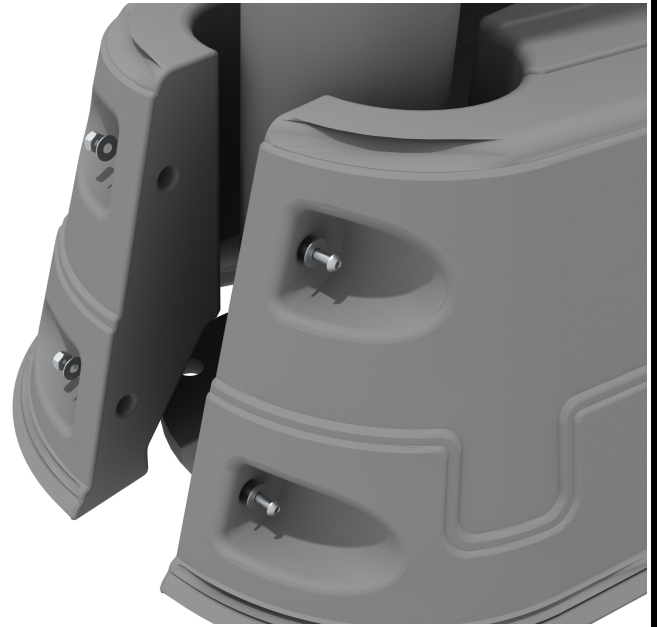
Use equipment onsite to measure placement for footings.



Royal Double Station Rower Install

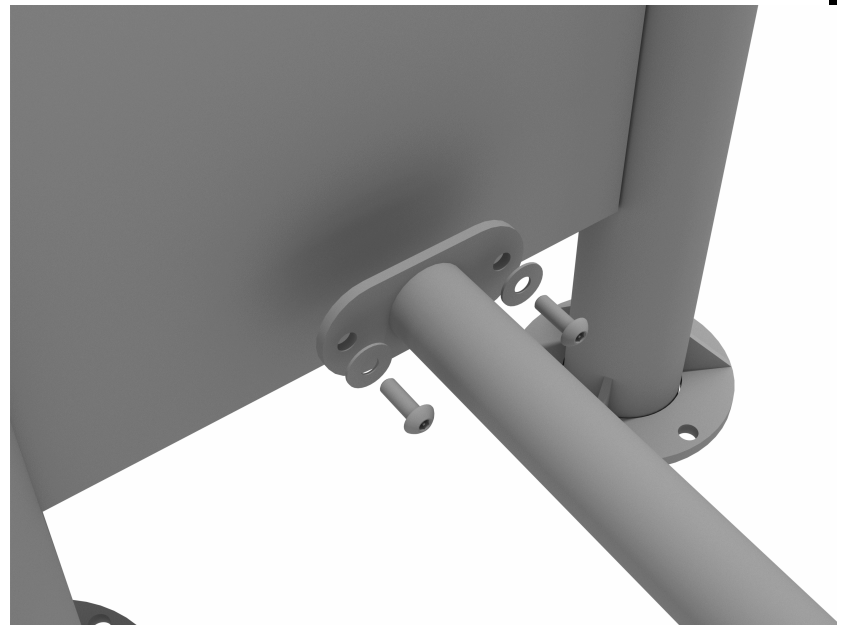
STEP: 3

Connect plastic mount cover over the mounting plates and bolt the two pieces together using the supplied hardware.



STEP: 4

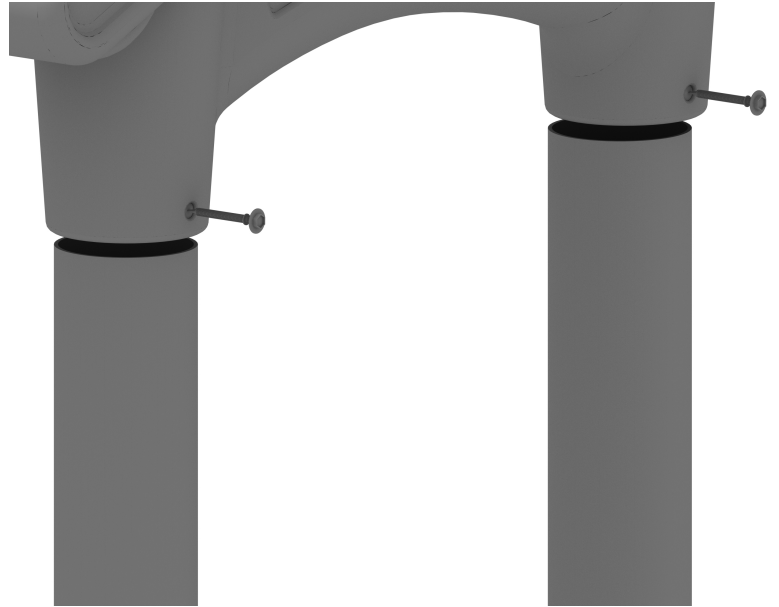
Mount the Benches to the panel and bolt them together using the supplied hardware.



Adult Fitness Royal Double Topper Install

STEP: 1

Set the Topper on top of the posts. Take two (2) self-tapping screws and drill them through the notch at each corner of the roof, into the support posts.



Adult Fitness Post Cover Installation

STEP: 3

Connect plastic mount cover over the mounting plate and bolt the two pieces together using the supplied hardware.

