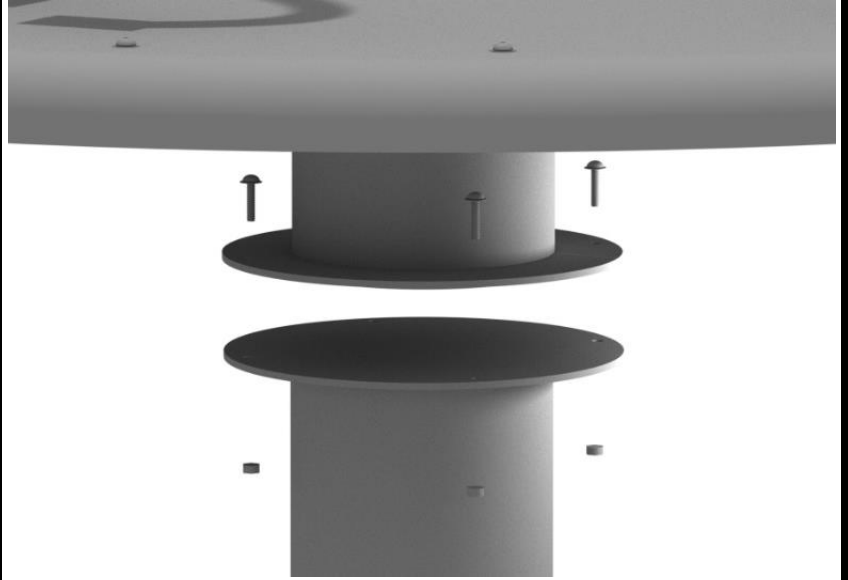


Starship Orbiter Installation

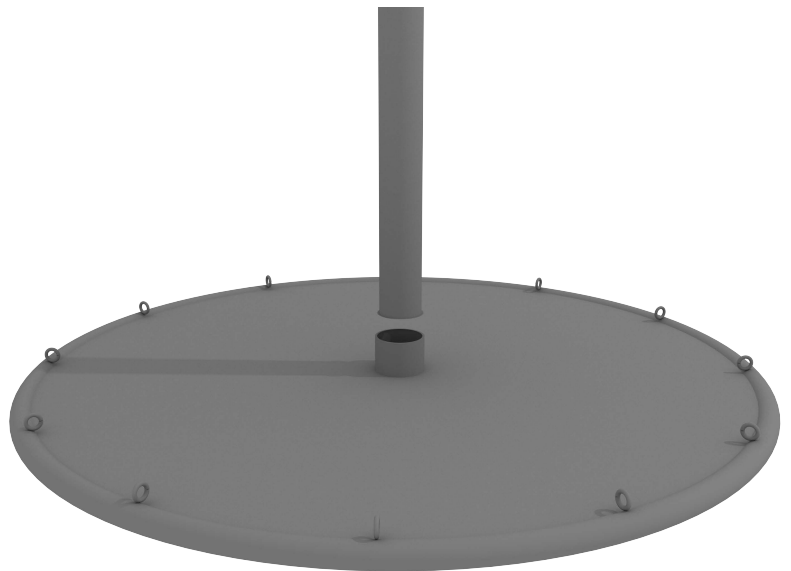
STEP: 1

Attach the inground mount to the base of the spinning mechanism on the deck.
After full assembly, follow the General Installation Guide footing information and dig proper holes for the unit.



STEP: 2

Attach the center post mount to the base center of the spinning mechanism on the deck using the supplied hardware.



1 Playground Drive
Greenfield, IN 46140
1-800-667-0097

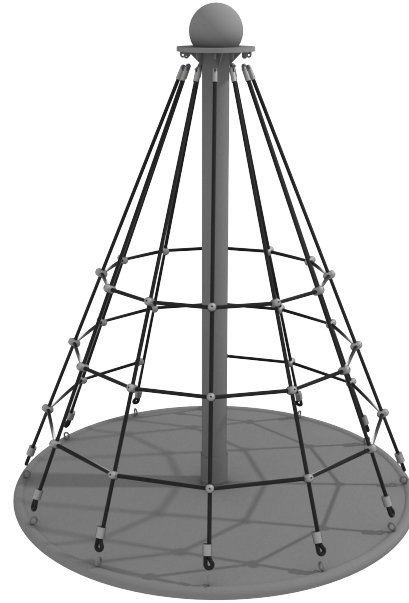
Created By: Matt N
Date Modified: 05/21/21

Starship Orbiter Installation

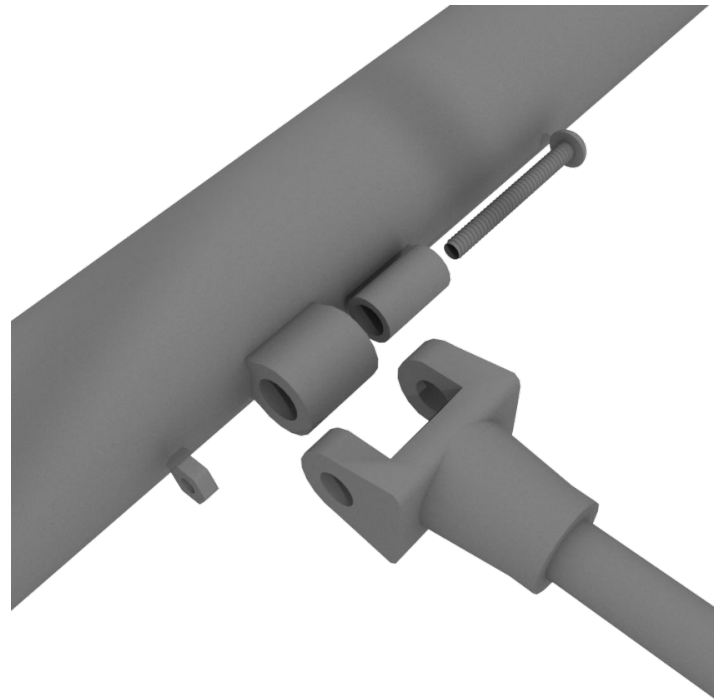
STEP: 3

Using the supplied hardware, mount the net attachment points to the top center post and bottom spinner deck attachment points.

Refer to the Step 2 Image



STEP: 4



1 Playground Drive
Greenfield, IN 46140
1-800-667-0097

Created By: Matt N
Date Modified: 05/21/21