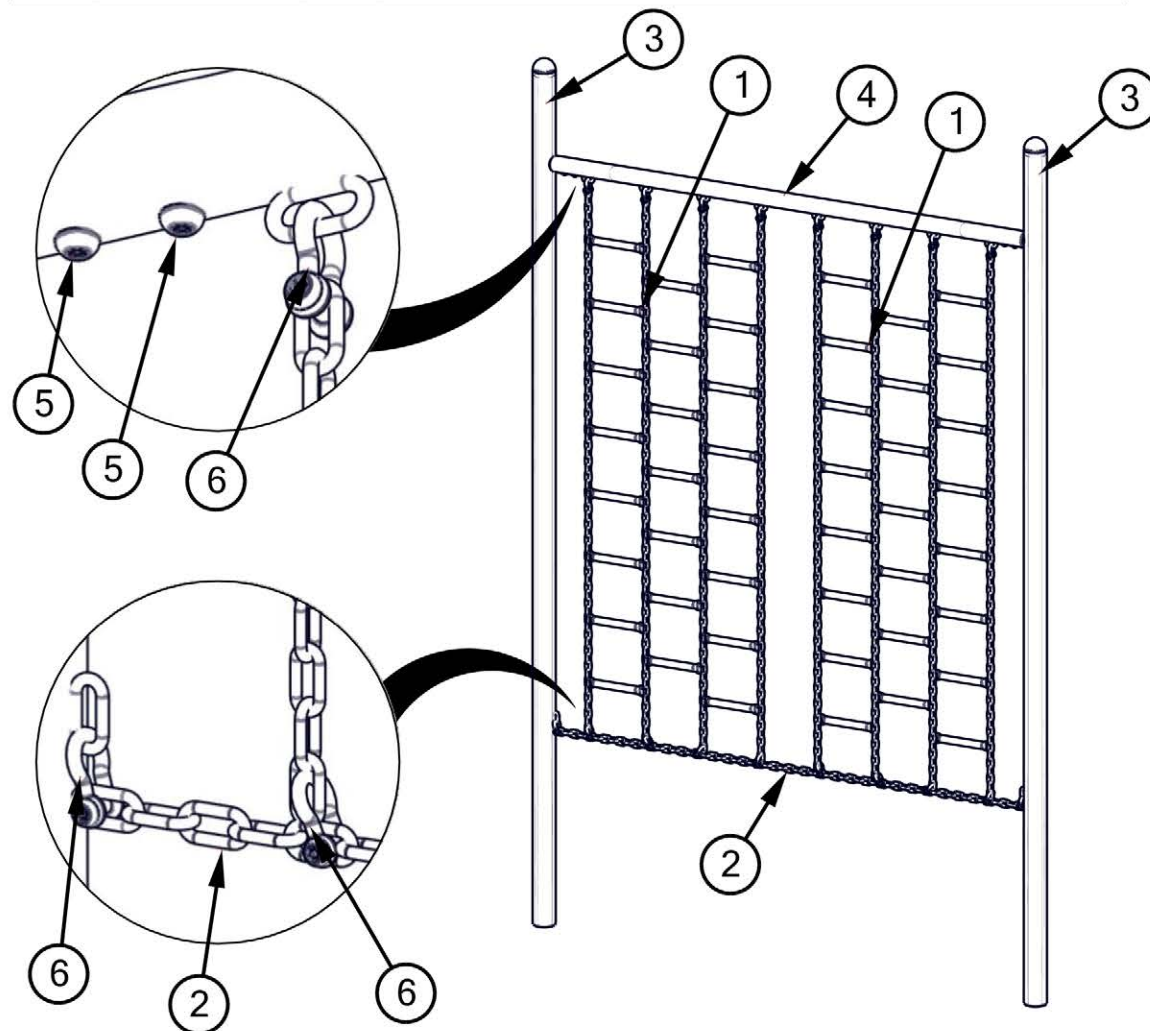




USER GROUP: 2-5 Years, 5-12 Years  
 RECOMMENDED CREW: 2 People  
 TOOLS REQUIRED:  
 • TT-45 Torx, SH-41 Shackle Tool (included)  
 • Level, Square  
 • Auger / Post Hole Digger / Shovel  
 • Drill Bits: 21/64"  
 • High Speed 3/8" Electric Drill with Clutch  
 • Metal / Hack Saw Optional  
 NOTE: Use of any other driver may result in damage to tool and/or hardware!  
 INSTALLATION TIME: 1 Hour  
 WEIGHT: 274 lbs.  
 CONCRETE REQUIRED: (6) 80lb. bags  
 NOTE: Concrete must have a minimum rating of 2,500 psi and must be mixed per manufacturer's recommendations.

ITEM	Part No.	QTY	DESCRIPTION
1	3007000	2	34.5" x 96" Cargo Net
2	H-40-96_TBD	1	8 feet of 4/0 Hvy Duty Galvanized
3	90107103	2	3.5" Chain Climbing Wall Support
4	90107503XX	1	Chain Climbing Wall Top Bar
5	HWS0081	4	3/8" x 1-1/4" Self Tapping Torx w/patch
6	SH-40	18	Shackle Clevis(SH-40) Galvanized



**PRE-INSTALLATION CHECK:**  
 Customer is responsible for verifying materials received by comparing received items with packing list. If any parts are missing or damaged, contact your local sales representative immediately.

Supplier is not responsible for items discovered missing after 72 hours from time of delivery.

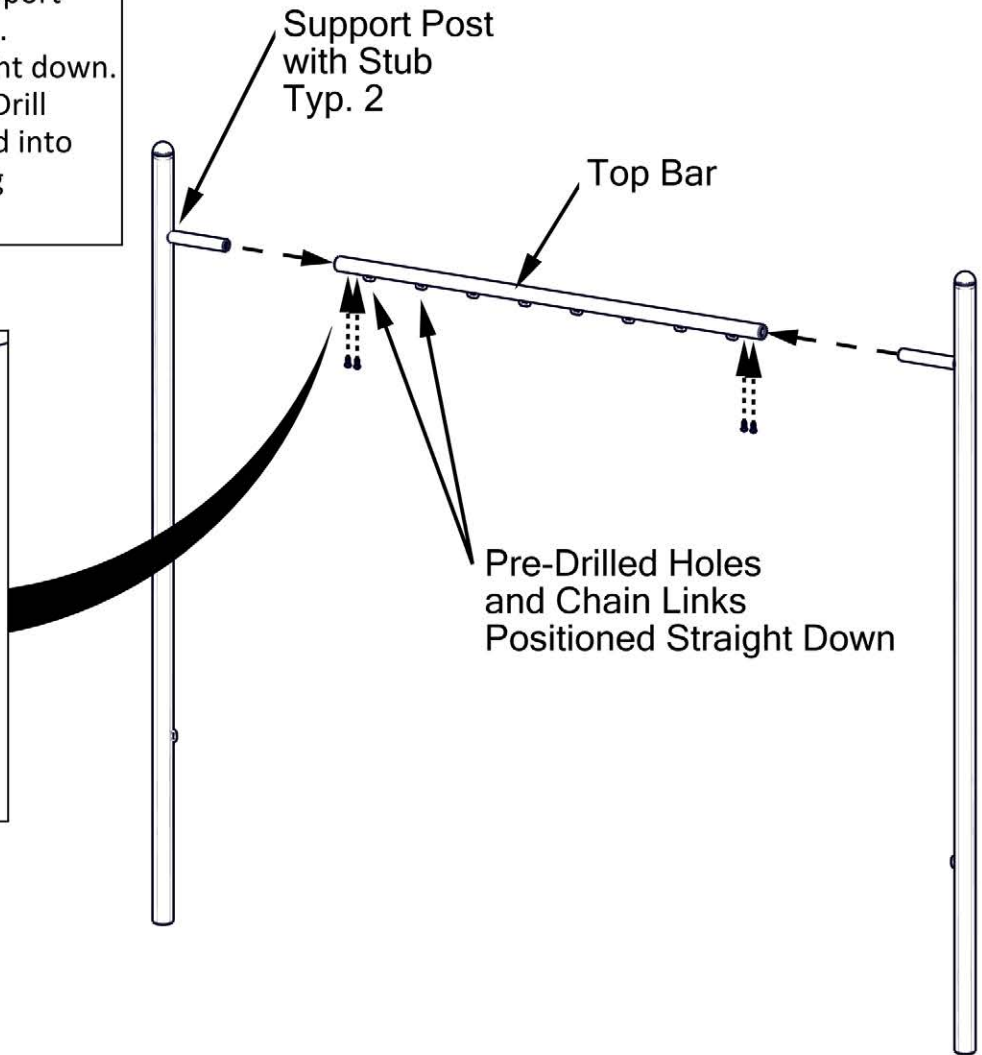
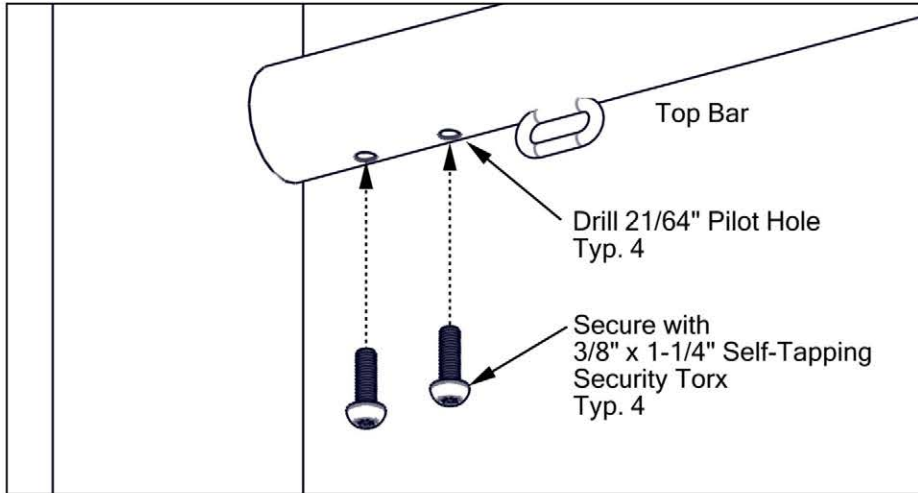
Before beginning installation, all installers must read and understand the Installation Introduction manual as supplied. If you did not receive a copy, or if you have any questions regarding any information in the Installation Instructions or this Installation Guideline, contact your local sales representative.



**STEP 1**

Assembly of chain climbing wall can be performed with components laying flat on the ground. Place ends of top bar over stubs on support posts. Ensure chain links on top bar are positioned straight down. Pre-drilled holes in bottom of top bar should be positioned straight down. Ensure ends of top bar seat flush against sides of support posts. Drill four (4) 21/64" pilot holes through pre-drilled holes in top bar and into support post stubs. Secure with four (4) 3/8" x 1-1/4" self-tapping security Torx. See Detail 1-1.

**Detail 1-1**

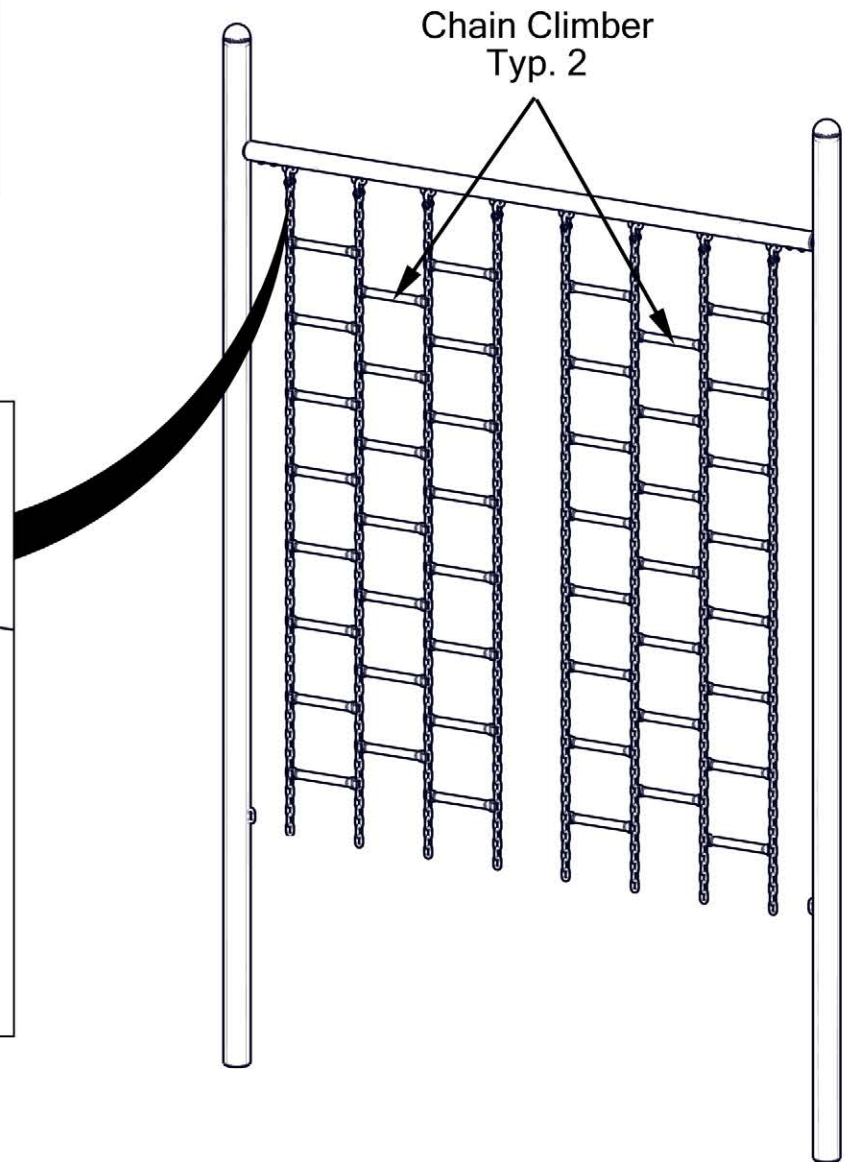
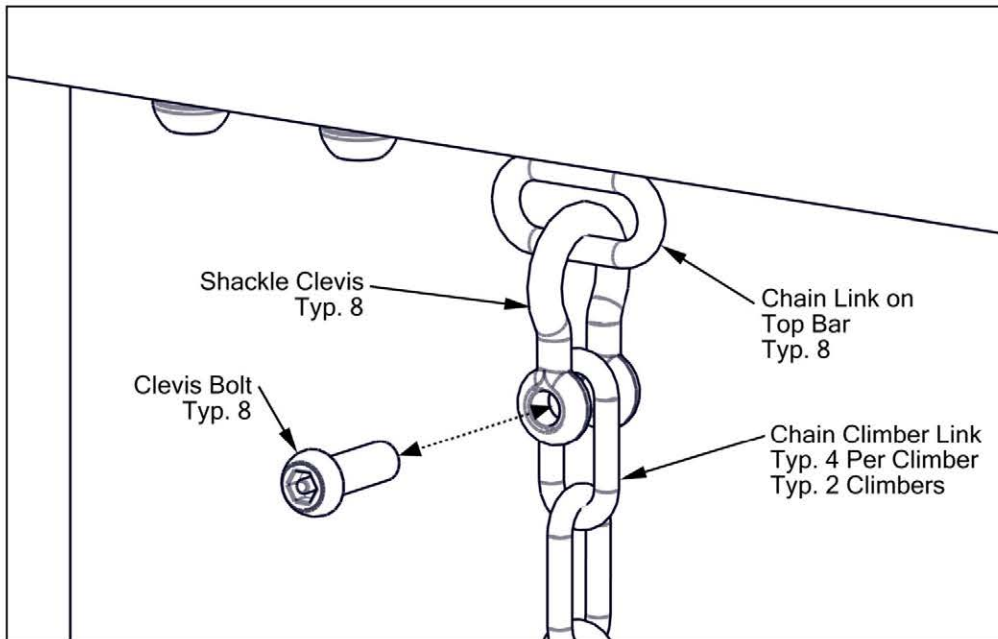




**STEP 2**

Mount chain climbers to top bar. Ends of chains should align with chain links on top bar. Secure eight (8) ends of chain to top bar with eight (8) shackle clevises. Use supplied SH-41 tool to remove clevis bolt, hook clevis through top bar chain link, replace celvis bolt through chain climber link. See Detail 2-1. Repeat for all ends of chains.

Detail 2-1



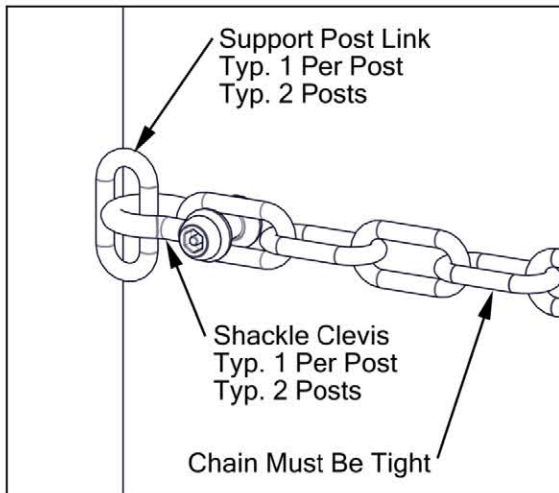




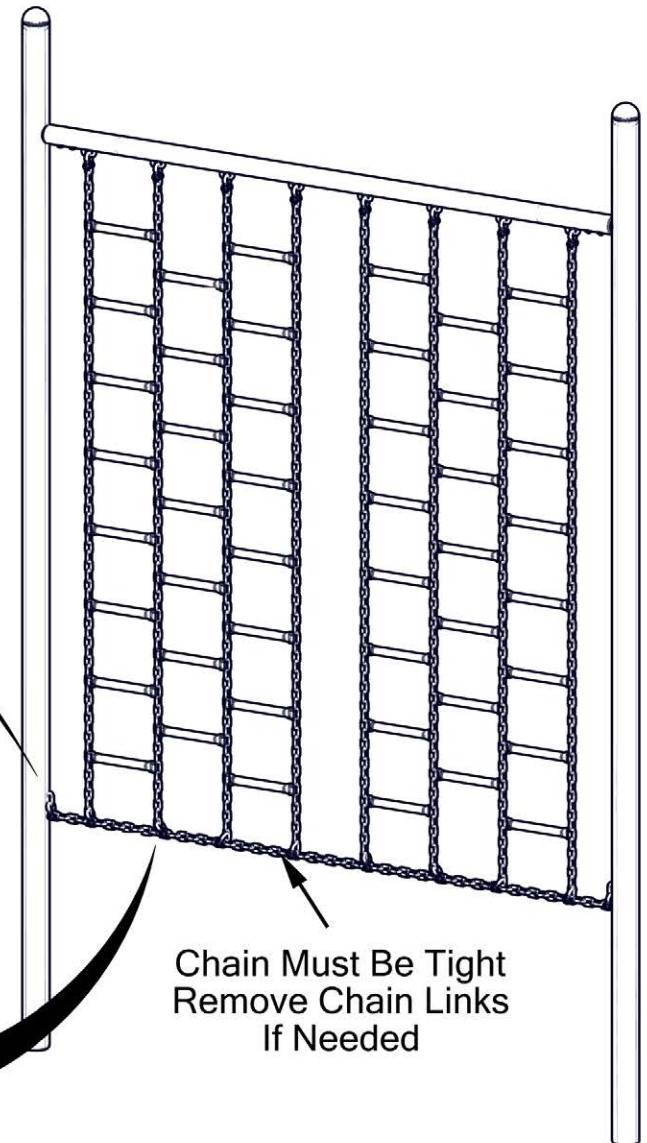
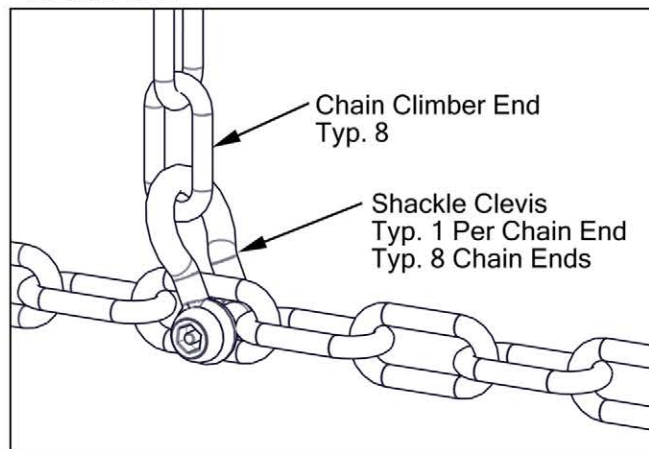
**STEP 3**

Mount bottom cross chain to support post links. Attach chain to posts with two (2) shackle celvise. Secure first end of chain to first support post link. Pull chain tight to opposite support post. Remove chain links if chain is not tight. See Detail 3-1 for common detail. At each bottom chain end of chain climbers, secure bottom chain link to bottom chain with one (1) shackle clevis. See Detail 3-2 for common detail. Repeat for all bottom chain ends.

**Detail 3-1**



**Detail 3-2**





**STEP 4**

Prepare footing holes. Refer to site plan drawing and site elevation drawing for placement of all support posts. Installer is responsible for proper location of all support posts. Support post spacing is shown at right. Footing holes for support posts must be 16" diameter and 24" deep plus 12" surfacing. If surfacing is less than 12", deepen footing holes as needed. Place one block (not included) into bottom of each footing hole. Place assembly into footing holes and plumb. Fill each footing hole with concrete to within 3" from ground surface. Allow concrete to cure based upon manufacturer's instructions. Backfill each footing hole with dirt, flush with grade. See Detail 4-1. Check all connections and ensure structure is stable. All concrete must be fully cured before use of structure. Installation is complete. Place one (1) Age Appropriate Sticker on structure in a clearly visible location.

**Detail 4-1**

