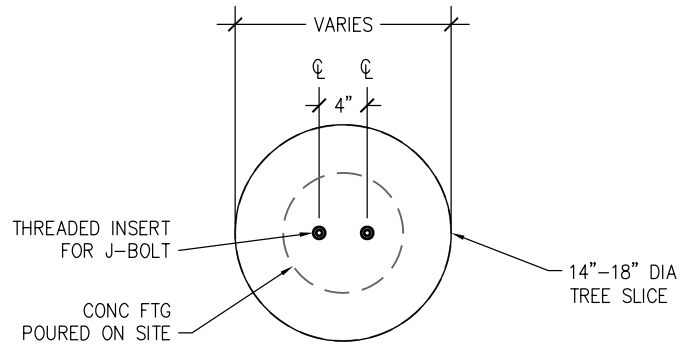
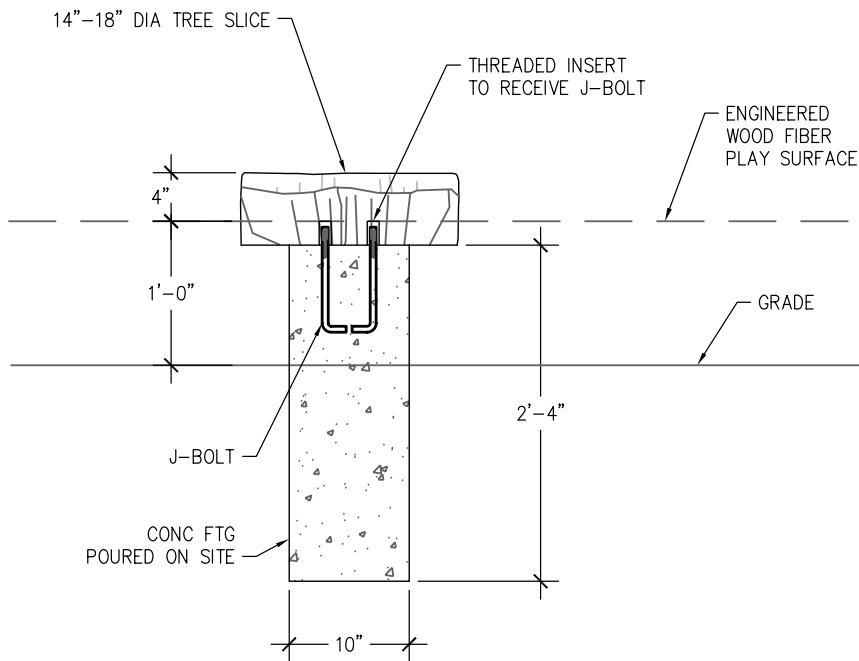


# PLAN



# ELEVATION



# Tree Slice Steppers 5TSL



**NatureROCKS™**  
*A boulder way to play!™*

**ultraPLAY®**

A PLAYCORE Company

# INSTALLATION INSTRUCTIONS

## Tools Required:

- Shovel /Auger
- Nylon lifting strap, minimum 8' length  
Note: Rated for 500 lbs. minimum
- Concrete  
Note: Rated for 2,500 psi minimum

**Weight:** 90-125 lbs. per Tree Slice Stepper

**Step 1:** Thoroughly inspect all pieces before unloading for damages incurred during shipping.

**Step 2:** Establish layout of Tree Slice Stepper and dig footing holes.

**Step 3:** Place 10" diameter Sonotube into footing hole. Sonotube height should be 10" above grade for 12" of play surfacing. Fill Sonotube with concrete.

**Step 4:** While concrete is still wet, thread J-bolts (2 per Tree Slice Stepper) into inserts, then carefully place Tree Slice Stepper into Sonotube. Make sure piece is centered and level.

**Step 5:** Once concrete has hardened, remove all remaining packaging materials and inspect piece for blemishes. Use included touch-up kit as needed.

# GENERAL NOTES

- Due to variables in local soil conditions, footing sizes may vary to meet local codes.
- Actual on-site conditions may vary and may require modifications to installation method.
- Use care and caution while handling play pieces. Make sure all points of contact are protected from lifting straps or other machinery that may damage the piece.
- Bracing materials may be required during installation.

**NatureROCKS™**  
*A boulder way to play!™*

**ultraPLAY®**

A PLAYCORE Company