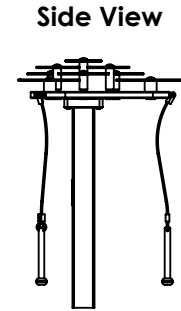
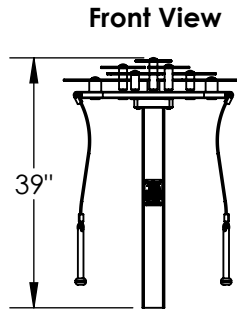
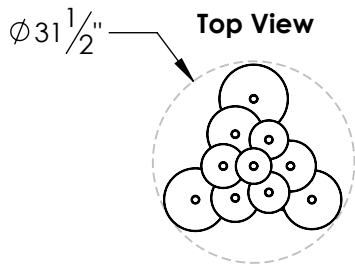


LPAD-INSTALL

- C Major Pentatonic
- Recycled HDPE Frame
- Anodized Aluminum Cymbals
- Stainless Steel Hardware

LILYPAD CYMBALS

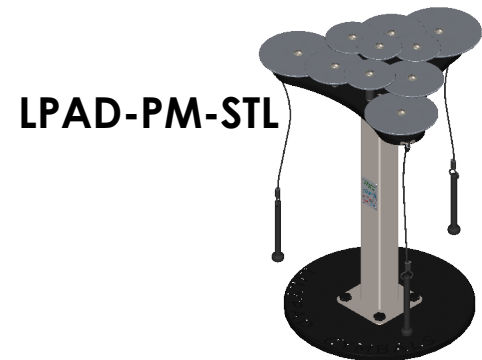
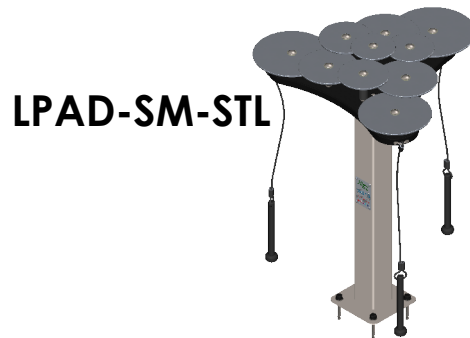
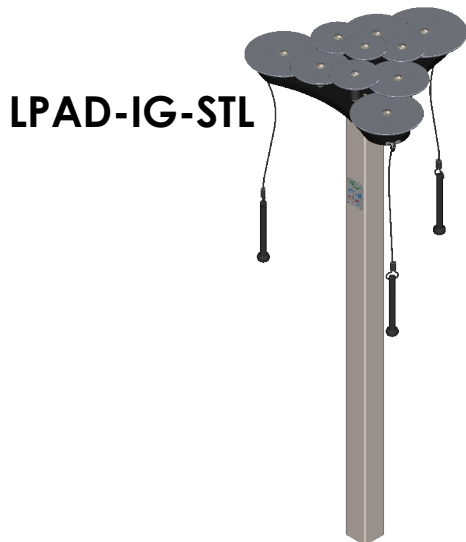
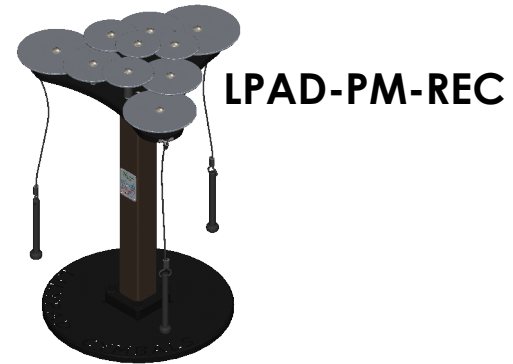
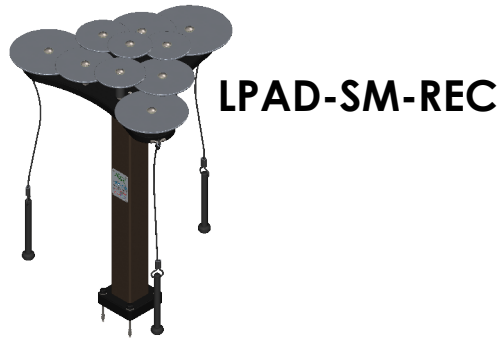
INSTALLATION GUIDE



Inground, Sheet 2 and 3
Assembled Weight: ?
Combined Packaged Weight: ?

Surface Mount, Sheet 2 and 4
Assembled Weight: ?
Combined Packaged Weight: ?

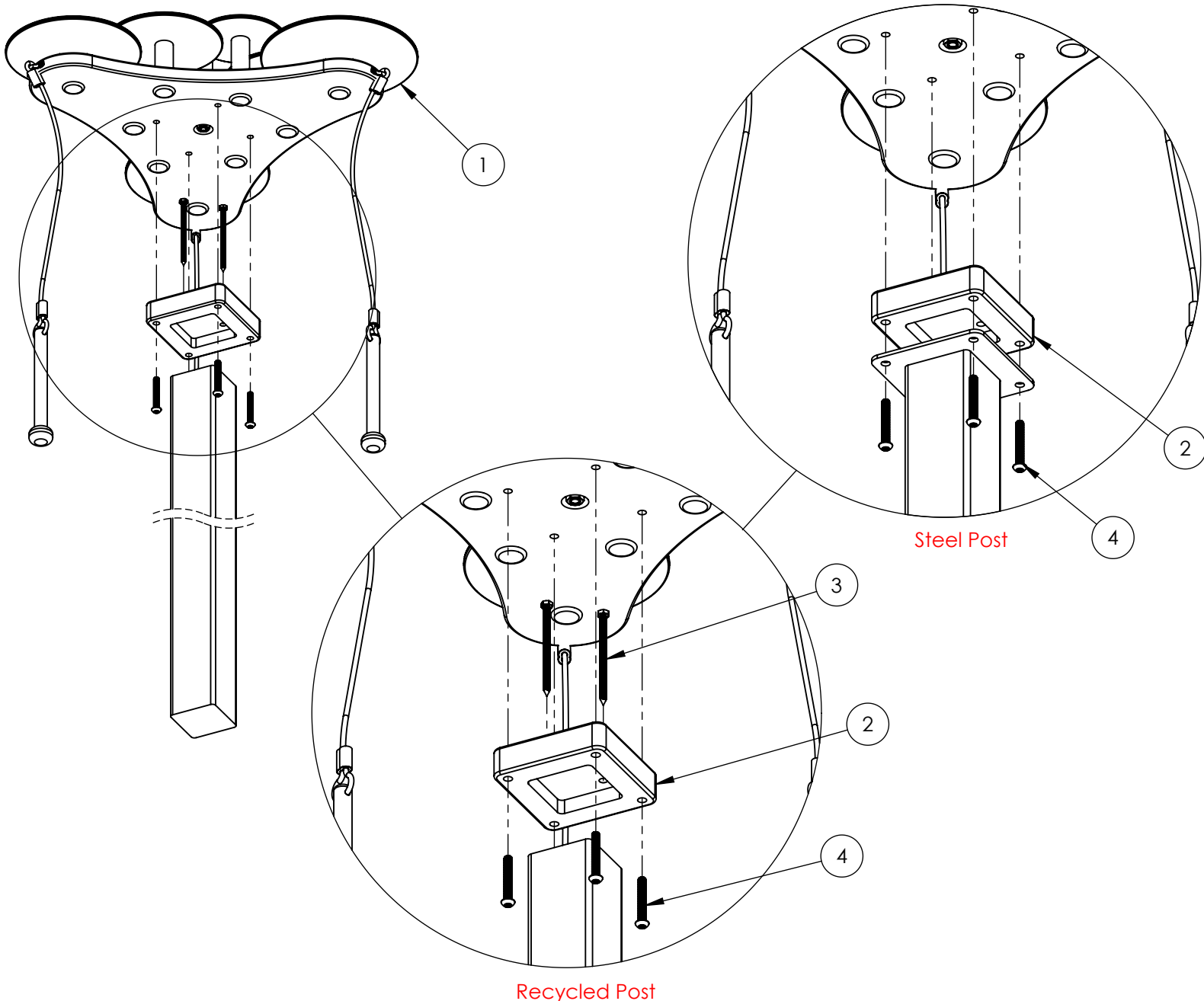
Portable Mount, Sheet 2 and 5
Assembled Weight: ?
Combined Packaged Weight: ?



Assembly Instructions

1. **(Recycled Post Only)** Install one of the Surface Mount Bases to the top of the Post and be sure to align the holes on the Base with the holes on the Post. Fasten them together with the provided 5/16" Hex Head Lag Bolts.
2. Align Post holes and/or Surface Mount Base holes with the four holes on the bottom of the Instrument Assembly. Secure the Post to the Instrument with the provided 3/8"-16 Button Head Screws and Driver.

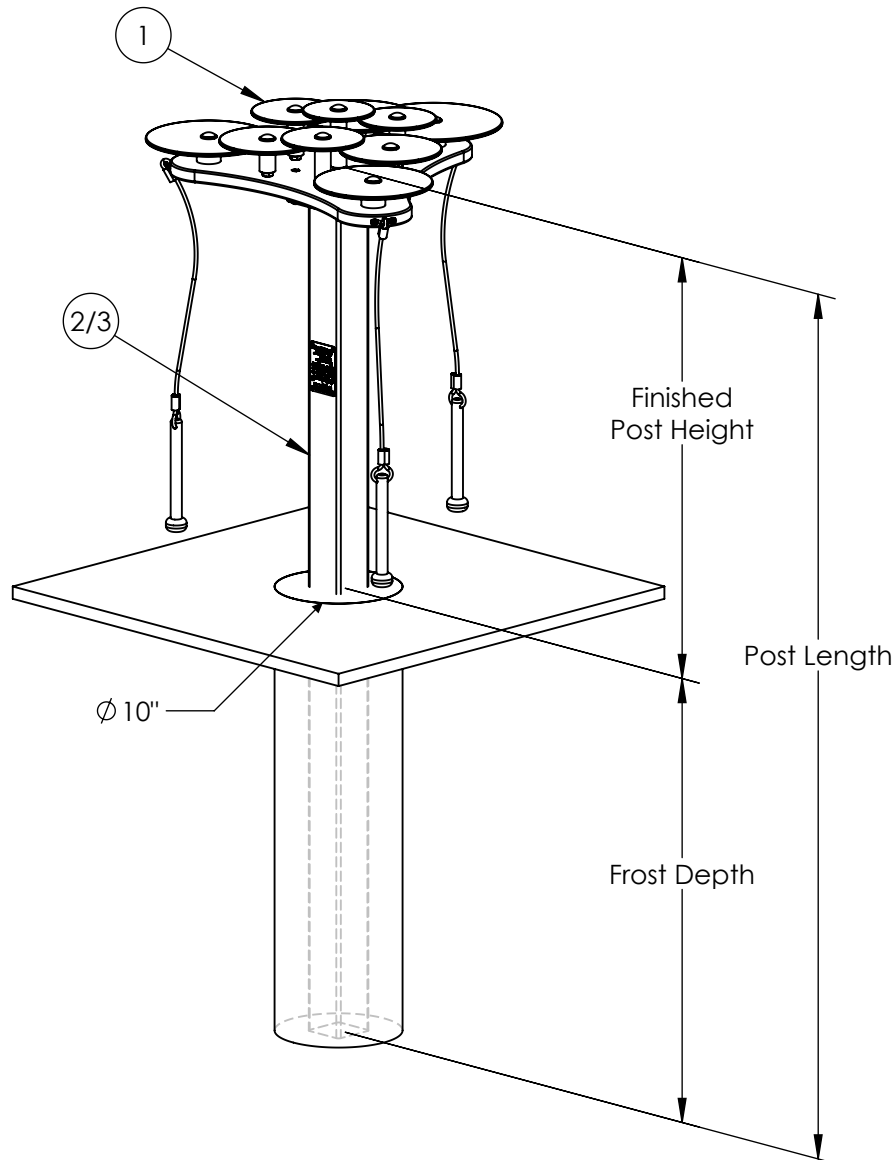
ITEM NO.	PART NUMBER	DESCRIPTION	RECYCLED POST QTY.	STEEL POST QTY.
1	LPAD-BOM	Pre-Assembly - Lilypad Cymbals Instrument	1	1
2	SM-BASE-REC	Surface Mount Base HDPE, For Recycled Post (1.5" Black)	1	1
3	31N500BHLS	5/16" Hex Head Lag Bolt, 5"lg. SS	2	-
4	316.2500TBSS	3/8"-16 Button Head Screw, 2.5"lg. SS, T45 temp	4	4
5	12265	T40 x 1" Driver (Tamer Resistant)	1	1



Inground Installation Instructions

1. Excavate one 10" diameter hole, 36" deep at the installation location. *(A deeper excavated hole or shortening the In Ground Post will be required if the desired age groups are between 2-12)* Be sure to account for surfacing thickness if it is to be used.
Post Length = Frost Depth (36" Recommended) + Finished Post Height
Finished Post Height Guideline: (Ages 2-5, 24") (Ages 5-12, 28") (Ages 13+, 32")
2. With two people, lower the Post with the Instrument attached into the excavated holes. Verify the correct placement, levelness, and finished height of the Instrument. Check for sufficient clearance around the Instrument, a 36" perimeter around the Instrument is recommended for wheelchair accessibility.
3. Last pour concrete around the posts. It is recommended to brace the Instrument to hold it rigid while the concrete cures. Leave to set according to the concrete manufacturers guidelines. Approximately (3) 80lb. bags will be needed.

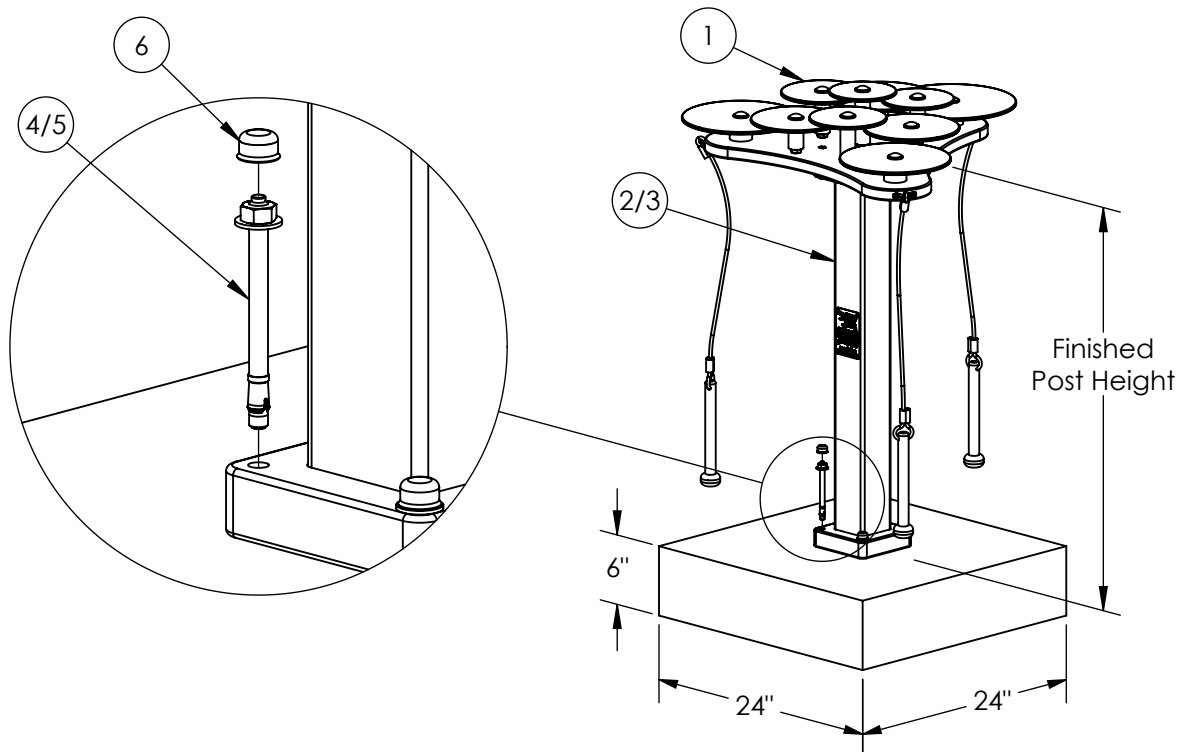
ITEM NO.	PART NUMBER	DESCRIPTION	RECYCLED POST QTY.	STEEL POST QTY.
1	LPAD-BOM	Pre-Assembly - Lilypad Cymbals Instrument	1	1
2	POST-REC-68-DEG0-SIGN	In Ground Recycled Post, 68"lg. w/ Name Plate	1	-
3	LPAD-IG-POST-STL-SIGN	Lilypad Cymbals - In Ground Steel Post, 67"lg. w/ Name Plate (Powder-coated)	-	1



Surface Mount Installation Instructions

- Standard finished height for the Surface Mount Posts are 32". (Recessing the concrete pad below the finished surfacing or shortening the Surface Mount Recycled Post will be required if desired age groups are between 2-12. The height of the Surface Mount Steel Posts can not be adjusted) Be sure to account for surfacing thickness if it is to be used.
Finished Post Height Guideline: (Ages 2-5, 24") (Ages 5-12, 28") (Ages 13+, 32")
- Determine installation location. Verify concrete pad is a minimum of 24" long x 24" wide x 6" thick. If the concrete pad is at an angle, steel washers are required to act as shims (Shims not provided). If there is not already an existing pad, approximately (4) 80lb. bags will be needed. Allow concrete to cure per concrete manufacturers guidelines.
- With two people place the Instrument Assembly onto the concrete pad and mark the center of the holes on the surface mount base. After you have made your marks, set aside the Instrument in order to drill for anchor holes. With a hammer or rotary drill, drill through concrete at marked locations. Drill to a minimum depth of 4". A 3/8" masonry drill bit will be needed.
- Place the Instrument back over the drilled out holes. Insert provided anchor bolts into aligned holes. Position anchor nut so that it is flush with the top of the bolt. Pound anchor bolts into the hole until the anchor washer is flush with the surface mount base. Tighten anchor bolts until they are snug. Cover remaining bolt sections with provided nut caps.
- Verify the correct placement, levelness, and finished height of the Instrument. Check for sufficient clearance around the Instrument, a 36" perimeter around the Instrument is recommended for wheelchair accessibility.
- If installing onto wet concrete, us the wet set anchor manufacturers guidelines for installation procedures.

ITEM NO.	PART NUMBER	DESCRIPTION	RECYCLED POST QTY.	STEEL POST QTY.
1	LPAD-BOM	Pre-Assembly - Lilypad Cymbals Instrument	1	1
2	POST-REC-32-DEG0-SIGN	Surface Mount Recycled Post, 32"lg. w/ Name Plate	1	-
3	LPAD-SM-POST-STL-SIGN	Lilypad Cymbals - Surface Mount Steel Post, 31"lg. w/ Name Plate (Powder-coated)	-	1
4	POW 07315	3/8"-16 Wedge Expansion Anchor, 3.75"lg. SS	-	4
5	POW 07316	3/8"-16 Wedge Expansion Anchor, 5"lg. SS	4	-
6	9267K43	35/64" Hex Nut Cap	4	4



Portable Mount Installation Instructions

- Standard finished height for the Portable Mount Posts are 32". (Shortening the Surface Mount Recycled Post will be required if desired age groups are between 2-12. The height of the Surface Mount Steel Posts can not be adjusted)
Finished Post Height Guideline: (Ages 2-5, 24") (Ages 5-12, 28") (Ages 13+, 32")
- With two people have one situate the Instrument Assembly onto the Portable Stand and align the holes.
- Have the second person secure the Instrument to the Portable Stand with the provided 3/8"-16 Thumb Screws. Thumb Screws should be tightened snugly to prevent any raddling during play. The 3/8"-16 Hex Nuts are pre-pressed into the Portable Stand from the Factory.

ITEM NO.	PART NUMBER	DESCRIPTION	RECYCLE D POST QTY.	STEEL POST QTY.
1	LPAD-BOM	Pre-Assembly - Lilypad Cymbals Instrument	1	1
2	POST-REC-32-DEG0-SIGN	Surface Mount Recycled Post, 32"lg. w/ Name Plate	1	-
3	LPAD-SM-POST-STL-SIGN	Lilypad Cymbals - Surface Mount Steel Post, 31"lg. w/ Name Plate (Powder-coated)	-	1
4	LPAD-PM-PS	Lilypad Cymbals - HDPE Portable Stand (1" Black)	1	1
5	91845A031	3/8"-16 Hex Nut, SS	8	8
6	91185A867	3/8"-16 Thumb Screw, 1"lg. SS	-	4
7	92198A634	3/8"-16 Hex Head Screw, 2.5"lg. SS	4	-
8	94052A046	3/8" Socket Head Knob	4	-

