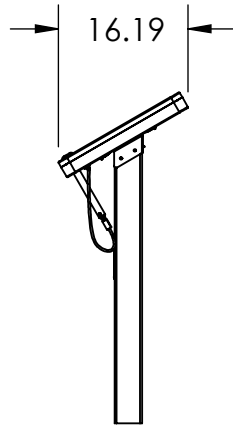
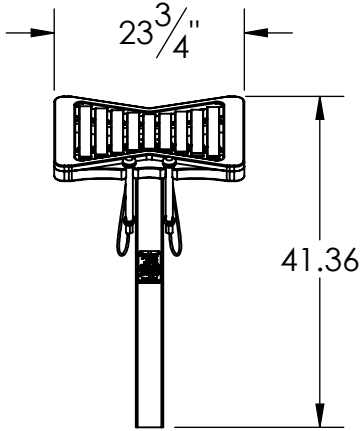


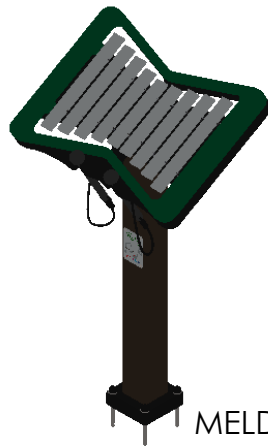
Sheet 1: Basic Information
Sheet 2: Bill of Materials
Sheet 3: Pre-Installation
Sheet 4: In Ground Installation

Sheet 5: Surface Mount Installation
Sheet 6: Portable Mount Installation
Bars: Anodized Aluminum
Frame: Recycled HDPE

Scale: C Major Diatonic
Notes: (Left to Right): A, D, F, A, C,
 B, G, E, C
Timbre: Clear and Sustaining



MELD-IG-REC



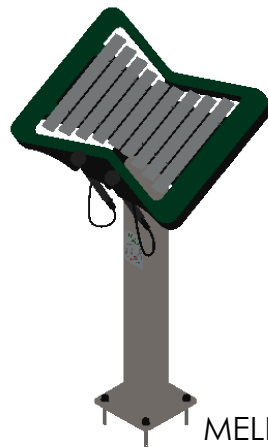
MELD-SM-REC



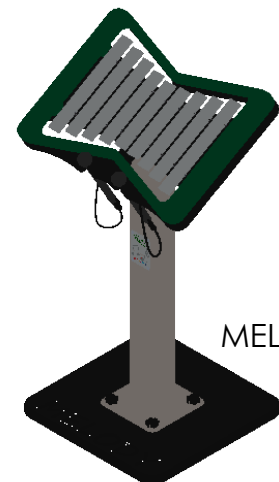
MELD-PM-REC



MELD-IG-STL



MELD-SM-STL

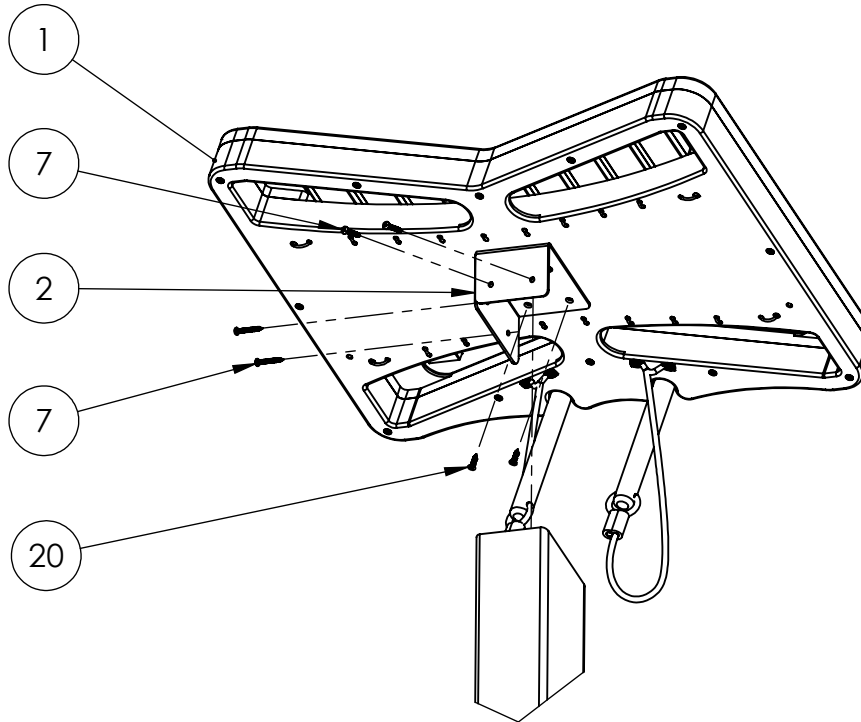


MELD-PM-STL

| ITEM NO. | PART NUMBER | DESCRIPTION | MELD-IG-REC | MELD-IG-STL | MELD-PM-REC | MELD-PM-STL | MELD-SM-REC | MELD-SM-STL |
|----------|------------------------|--|-------------|-------------|-------------|-------------|-------------|-------------|
| 1 | MELD-BOM | Pre-Assembled Melody Instrument | 1 | 1 | 1 | 1 | 1 | 1 |
| 2 | HLSTR-SM-SS | Small SS Holster | 1 | 1 | 1 | 1 | 1 | 1 |
| 3 | POST-REC-72-DEG30-SIGN | In Ground Recycled Post, 72"lg. w/ Name Plate | 1 | - | - | - | - | - |
| 4 | POST-STL-72-DEG30-SIGN | In Ground Steel Post, 72"lg. w/ Name Plate (Powder-coated) | - | 1 | - | - | - | - |
| 5/6 | POST-REC-36-DEG30-SIGN | Surface Mount Recycled Post, 36"lg. w/ Name Plate | - | - | 1 | - | 1 | - |
| 6 | POST-STL-36-DEG30-SIGN | Surface Mount Steel Post, 36"lg. w/ Name Plate (Powder-coated) | - | - | - | 1 | - | 1 |
| 7 | 8N125TBTS | #8 Button Head Screw, 1.25"lg. SS, T15 tamp | 4 | - | - | - | 4 | - |
| 8 | 10C100MBTS | #10-24 Button Head Machine Screw, 1"lg. SS, T25 tamp | - | 4 | - | - | - | 4 |
| 9 | 92198A634 | 3/8"-16 Hex Head Screw, 2.5"lg. SS | - | - | 4 | - | - | - |
| 10 | 91185A867 | 3/8"-16 Thumb Screw, 1"lg. SS | - | - | - | 4 | - | - |
| 11 | 91185A346 | #10-24 Thumb Screw, .5"lg. SS | - | - | 4 | 4 | - | - |
| 12 | 31N500BHLS | 5/16" Hex Head Lag Bolt, 5"lg. SS | - | - | 2 | - | 2 | - |
| 13 | POW 07315 | 3/8"-16 Wedge Expansion Anchor, 3.75"lg. SS | - | - | - | - | - | 4 |
| 14 | POW 07316 | 3/8"-16 Wedge Expansion Anchor, 5"lg. SS | - | - | - | - | 4 | - |
| 15 | 94052A046 | 3/8" Socket Head Knob | - | - | 4 | - | - | - |
| 16 | 91845A031 | 3/8"-16 Hex Nut, SS | - | - | 4 | 4 | - | - |
| 17 | 9267K43 | 35/64" Hex Nut Cap | - | - | - | - | 4 | 4 |
| 18 | SM-BASE-REC | Surface Mount Base HDPE, For Recycled Post (1.5" Black) | - | - | 1 | - | 1 | - |
| 19 | MELD-PM-PS | Melody - HDPE Portable Stand (1" Black) | - | - | 1 | 1 | - | - |
| 20 | 8N75UFT4 | #8 Flat Head Screw, 0.75"lg. SS, tamp | 4 | 4 | 4 | 4 | 4 | 4 |
| 21 | 12192 | T25 x 1" Driver (Tamper Resistant) | 1 | | 1 | | 1 | |
| 22 | 12260B | T15 x 1" Driver (Tamper Resistant) | | 1 | | 1 | | 1 |

Step 1: Attach Holster to Instrument. Mount the holster to the instrument back with the provided #8 Flat Head Screws and driver. Note that the back of the instrument is pre-drilled. Screw heads should be flush with the holster surface when properly installed. The holster should also be flush with the back of the instrument. Drive the screws slowly to prevent stripping the screws and pilot holes.

Step 2: Attach Instrument to Post. With two people, situate the Instrument (with holster installed) onto the post. Posts come predrilled and/or tapped. With the provided drivers, fasten the Instrument to the Post with the provided #8 Button Head Screws (for recycled posts) or #10-24 Button Head Machine Screws (for steel posts).



Step 1: Choose Instrument Height. Choose a finished post height. The installer can shorten the post and/or lengthen the mounting hole to achieve different heights.

Recommended Finish Post Heights: Adult, 36"; Ages 7-11, 33"; Ages 5-7, 28"; Ages 3-5, 23"

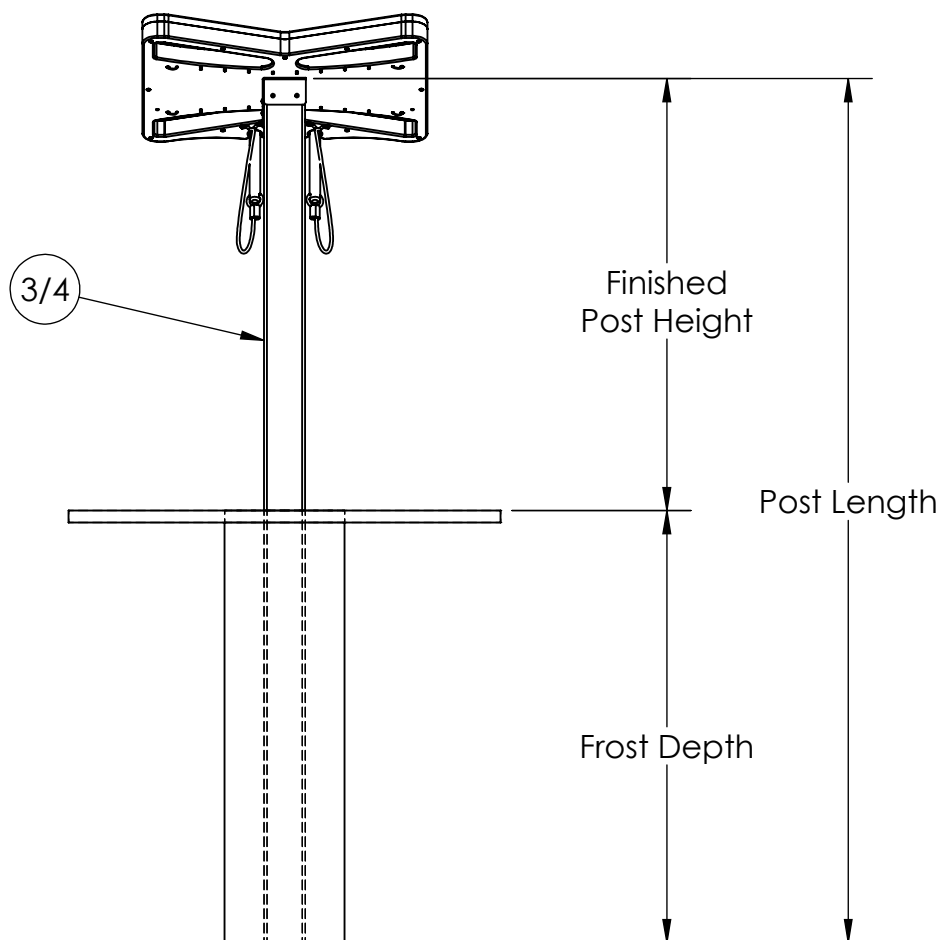
Post Length Calculation: $Post\ Length = Finished\ Post\ Height + Frost\ Depth$ (36" Recommended)

Step 2: Excavate Mounting Hole. Excavate one **10" diameter hole, 36" deep** at the installation location. Be sure to account for any secondary surface thickness.

Step 3: Mount Instrument. With two people, lower the post (with the instrument attached) into the excavated hole.

Step 4: Verify Placement. Verify the placement, levelness, and finished height of the instrument. Check for sufficient clearance around the Instrument. A **36" perimeter** around the instrument is recommended for wheelchair accessibility.

Step 5: Pour Concrete. Using approximately **(3) 80lb. bags of concrete**, pour concrete around the post. Brace the Instrument to hold it rigid while the concrete cures. Leave the concrete to set according to the concrete manufacturers guidelines.



Step 1: Choose Instrument Height. The Standard height for Surface Mount Posts is 36". The recycled post may be modified in the field to the following heights:

Recommended Finish Post Heights: Adult, 36"; Ages 7-11, 32"; Ages 5-7, 27"; Ages 3-5, 22" Note: The height of surface mount steel posts cannot be adjusted.

Step 2: Determine installation location. The concrete pad must be at least 24" long x 24" wide x 6" thick. If the concrete pad is at an angle, use steel washers (not included) to act as shims, leveling the instrument. If there is not an existing pad, use approximately **(4) 80lb. bags** of concrete to pour a pad. Allow the concrete to cure per concrete manufacturers guidelines.

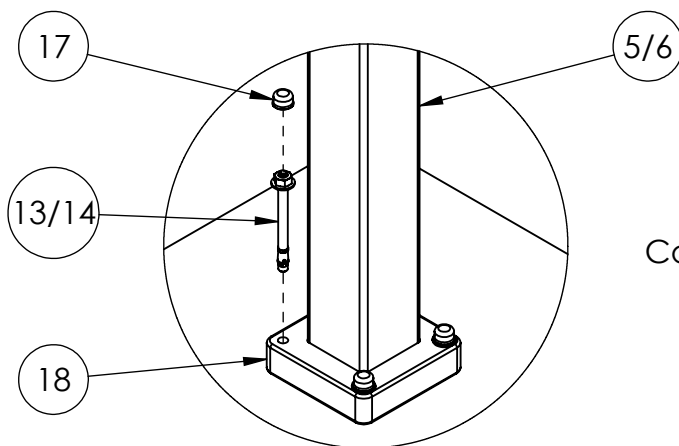
Step 3: (Recycled Post Only) Attach the surface mount base the bottom of the post using the provided 5/16" Hex Head Lag Bolts. The base should fit snugly around the post. Make sure to align the holes on the base with the holes on the post.

Step 4: Mark and Drill Anchor Holes. With two people, place the instrument onto the pad and mark the center of the base holes. Next, set the instrument aside and use a hammer or rotary drill to drill **3/8" holes 4" deep** into the concrete at the marked locations. A 3/8" masonry drill bit is required.

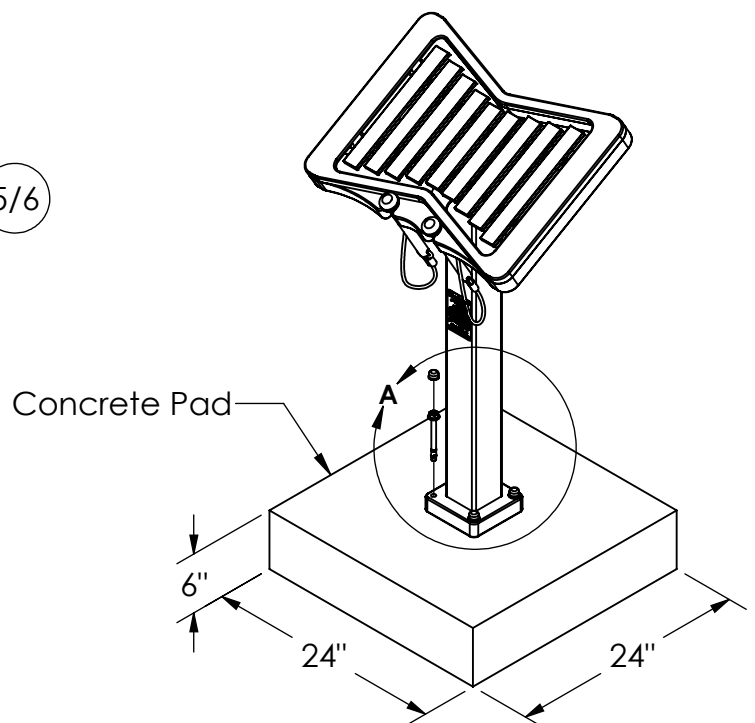
Step 5: Verify Placement. Place the instrument over the holes. Insert the provided anchor bolts into the holes. Position the anchor nuts flush with the top of each bolt. Verify the correct placement, levelness, and finished height of the instrument. Check for sufficient clearance around the instrument. A **36" perimeter** around the instrument is recommended for wheelchair accessibility.

Step 6: Mount Instrument. Pound the anchor bolts into the holes until the anchor washers are flush with the surface mount base. Tighten the anchor bolts until they are snug. Cover the exposed bolt sections with provided nut cap.

Note: If installing onto wet concrete, use the wet set anchor manufacturers guidelines for installation procedures.



DETAIL A
SCALE 1 : 8



Step 1: Choose Instrument Height. The standard height for Postable Mount Posts is 36". The recycled post may be modified in the field to the following heights:

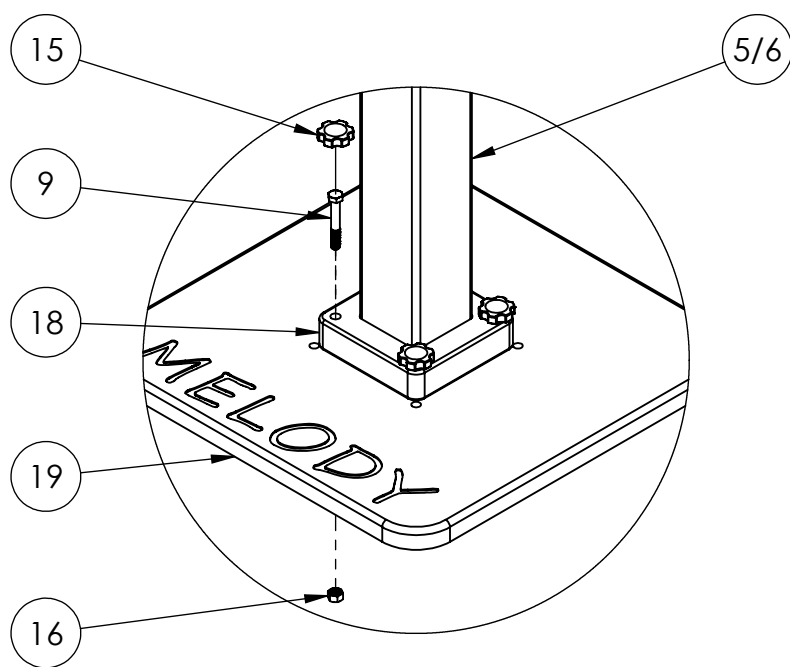
Recommended Finish Post Heights: Adult, 36"; Ages 7-11, 33"; Ages 5-7, 28"; Ages 3-5, 23"

Note: The height of surface mount steel posts cannot be adjusted.

Step 2: Situate Instrument. With two people, situate the instrument onto the portable stand and align the holes.

Step 3: Secure with Thumb Screws. Have one person hold the instrument while another person secures the instrument to the portable stand with the provided 3/8"-16 thumb screws. Tighten the thumb screws snugly to prevent rattling.

Note: The 3/16"-16 hex nuts are *pre-pressed* into the portable stand.



DETAIL B
SCALE 1 : 8

