

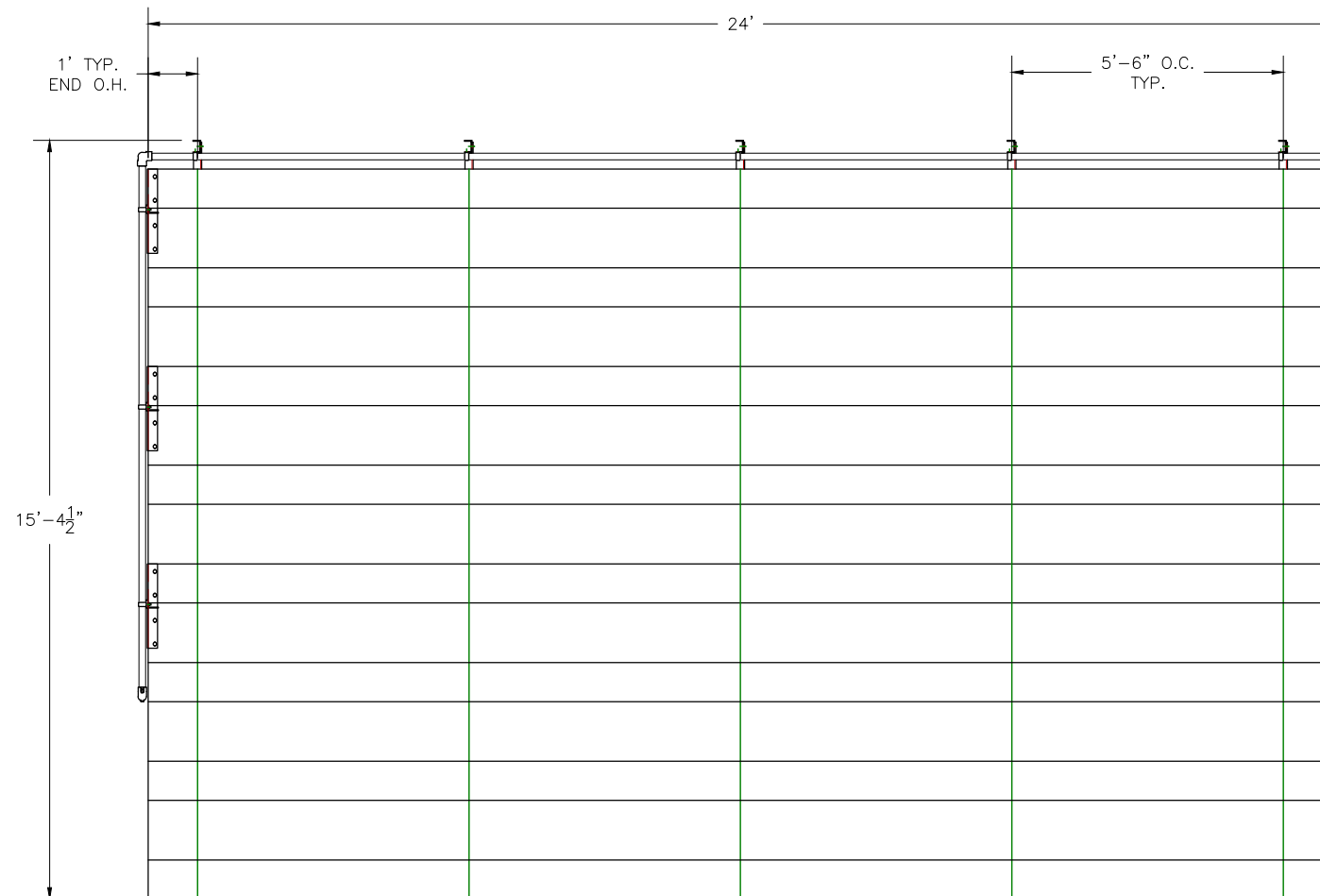
NA-0824STD_CL

NON ELEVATED 8 ROW x 24'-0" BLEACHER

National Recreation Systems, Inc.

1300-D AIRPORT NORTH OFFICE PARK FORT WAYNE, IN 46825

CS.1	- COVER SHEET
TD.1	- BLEACHER SEATING PLAN
FP.1	- FOUNDATION PLAN
BA.1	- BLEACHER FRAMING & CLIP PRE-ASSEMBLY
BA.2	- BLEACHER BRACING LOCATION PLAN
BA.3	- BLEACHER ASSEMBLY
AP.1	- ANCHORING PLAN
PF.1	- PLANK & FRAMING PLAN
GR.1	- GUARDRAIL ASSEMBLY



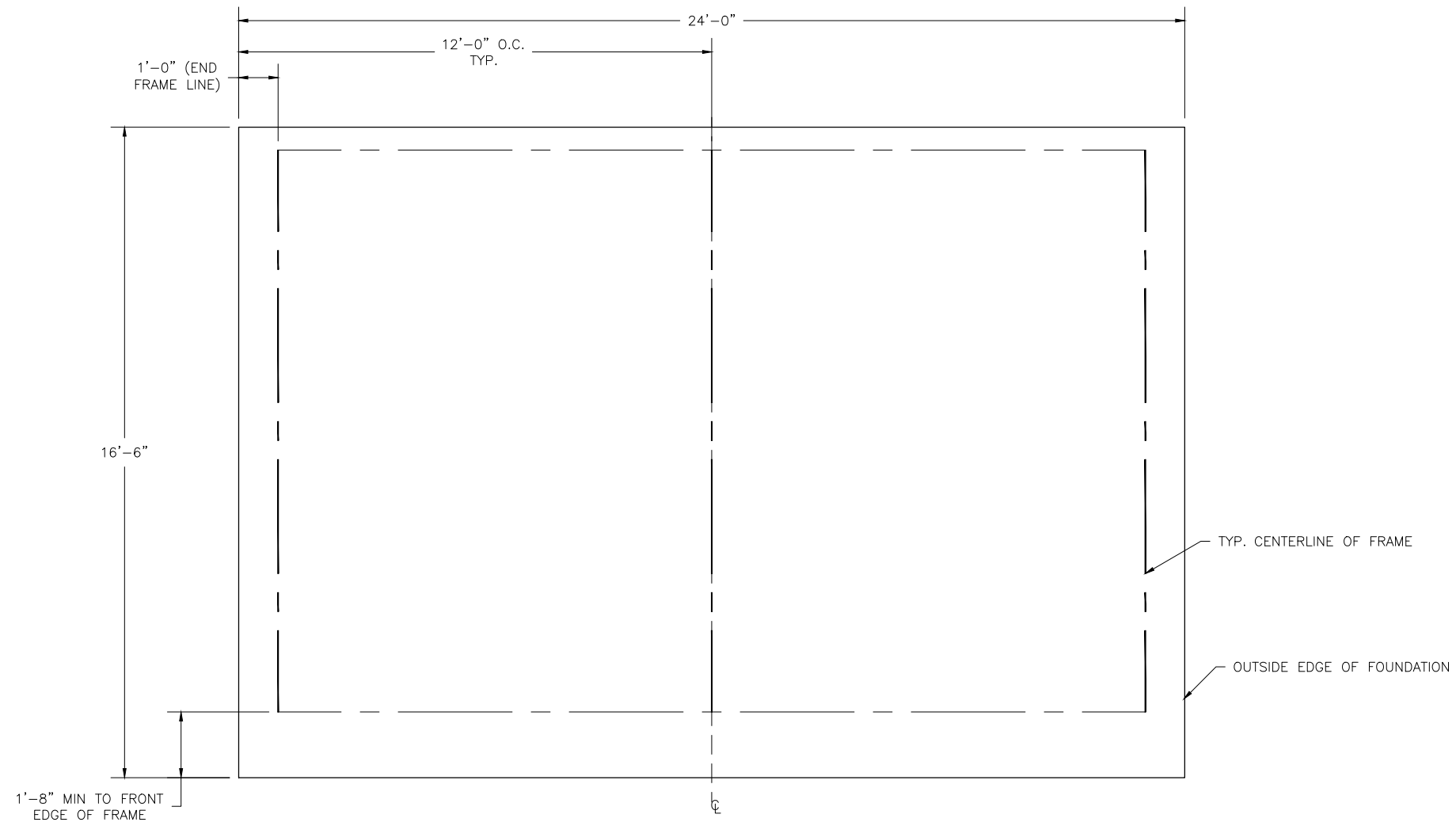
SECTION LENGTH	GROSS SEATS	ACTUAL SEATS	NO. OF ROWS	NET SEATS
24	16.00	16.00	8	128
			NET SEATS	128
			WHEELCHAIR SPACES	0
			TOTAL NET SEATING CAPACITY (BASED ON 18" PER SEAT)	128

This drawing and all information contained herein is the property of NATIONAL RECREATION SYSTEMS, INC. and is not to be reproduced without express written permission of this manufacturer. We assume no responsibility for unauthorized use of this drawing. National Recreation Systems, Inc. is not responsible for local permits and occupancy requirements.

National Recreation Systems, Inc.

1300-D AIRPORT NORTH OFFICE PARK FORT WAYNE, IN 46825

SCALE: N.T.S.	APPROVED BY:	DRAWN BY: JML
DATE: 3/6/17		
TITLE: 8 ROW X 24'-0" BLEACHER SEATING PLAN		
BLEACHER MODEL #: NA-0824STD_CL	DRAWING NUMBER: TD.1	



* MINIMUM FOUNDATION AREA SHOWN. DEPENDING ON LOCAL SOIL CONDITIONS, BLEACHER CAN BE INSTALLED ON A CONCRETE PAD OR FOOTERS, OR ATTACHED TO 2x6 TREATED LUMBER GROUND SILLS AND PLACED ON COMPACTED STONE, ASPHALT, OR ANY OTHER SMOOTH, SOLID, LEVEL SURFACE. CONSULT YOUR LOCAL CONCRETE CONTRACTOR TO DETERMINE PROPER CONCRETE SPECIFICATIONS FOR YOUR LOCAL SOIL AND WEATHER-RELATED CONDITIONS. THE BEARING SURFACE MUST BE CAPABLE OF SUPPORTING A MINIMUM OF 660 POUNDS PER LINEAR FOOT. TO MEET LOCAL CODES, BLEACHERS WILL NEED TO BE ANCHORED. ANCHORING SYSTEMS FOR ALL SURFACE TYPES ARE AVAILABLE - CONTACT YOUR BLEACHER SALES REPRESENTATIVE FOR MORE INFORMATION.

This drawing and all information contained herein is the property of NATIONAL RECREATION SYSTEMS, INC. and is not to be reproduced without express written permission of this manufacturer. We assume no responsibility for unauthorized use of this drawing. National Recreation Systems, Inc. is not responsible for local permits and occupancy requirements.

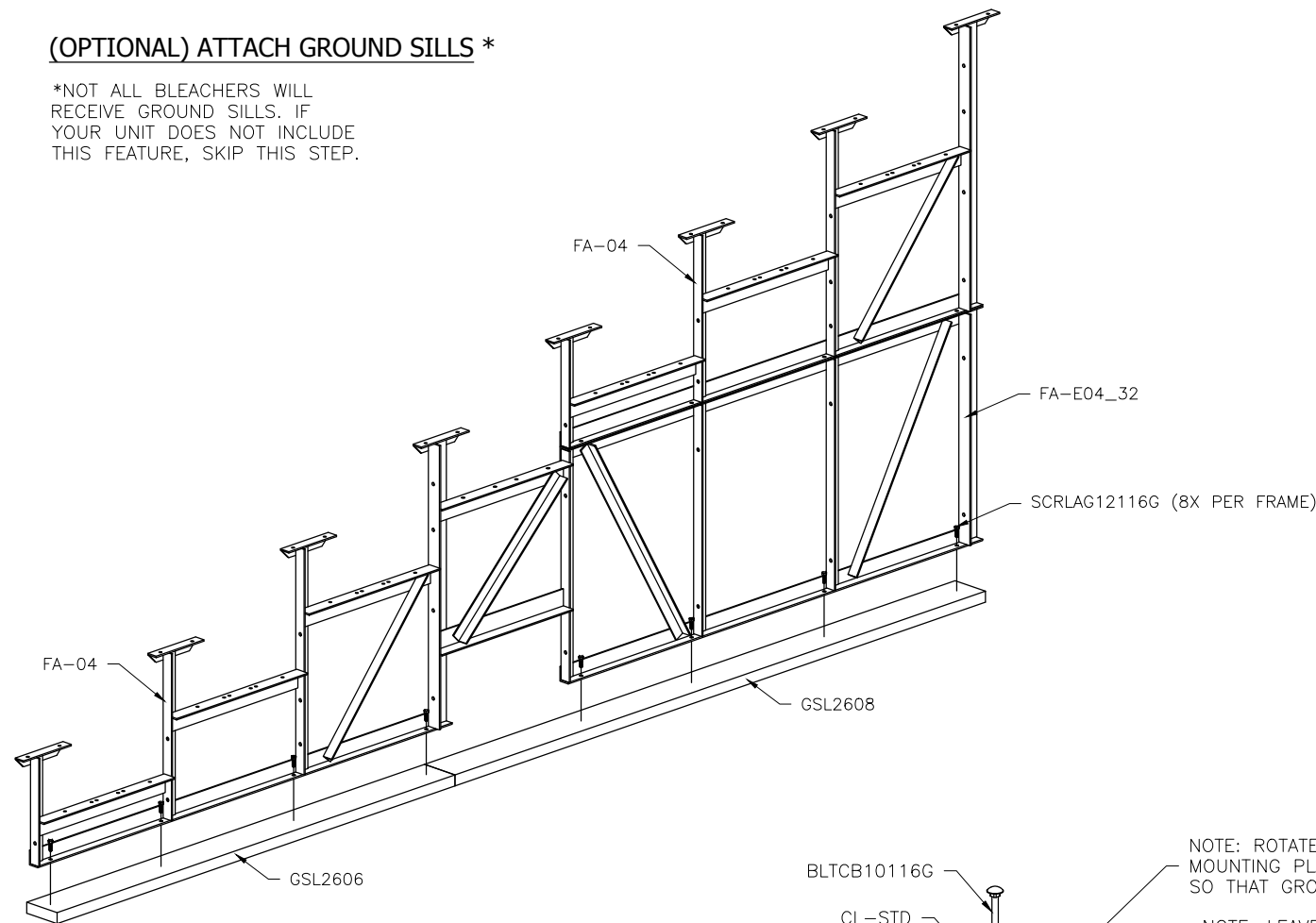
National Recreation Systems, Inc.

1300-D AIRPORT NORTH OFFICE PARK FORT WAYNE, IN 46825

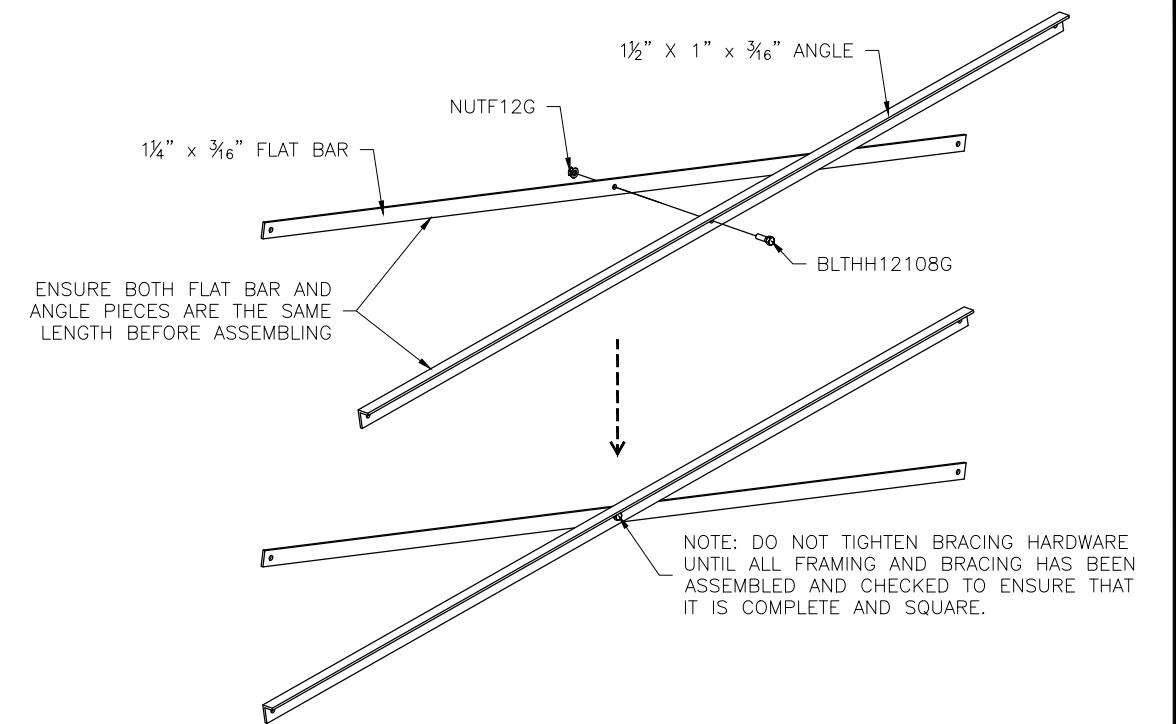
SCALE: N.T.S.	APPROVED BY:	DRAWN BY: JML
DATE: 3/6/17		
TITLE: 8 ROW X 24'-0" FOUNDATION PLAN		
BLEACHER MODEL #: NA-0824STD_CL	DRAWING NUMBER: FP.1	

(OPTIONAL) ATTACH GROUND SILLS *

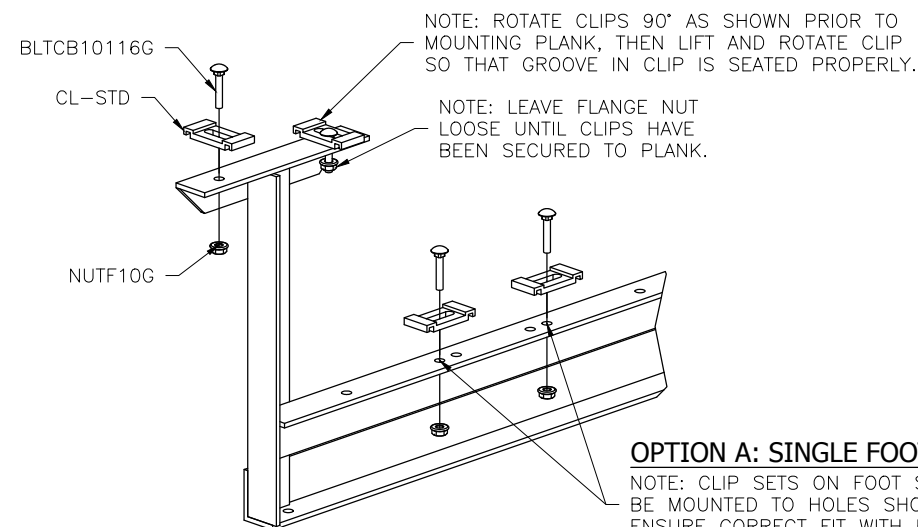
*NOT ALL BLEACHERS WILL RECEIVE GROUND SILLS. IF YOUR UNIT DOES NOT INCLUDE THIS FEATURE, SKIP THIS STEP.



PRE-ASSEMBLE X-BRACE PAIR(S)

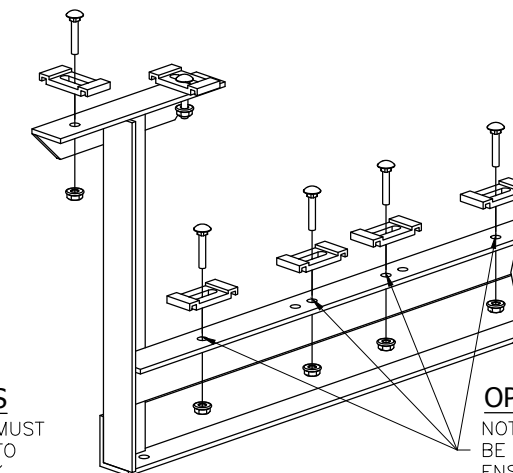


ONCE FRAMING IS COMPLETE, PRE-ASSEMBLE CLIP SETS ON BLEACHER FRAMES



OPTION A: SINGLE FOOT BOARDS

NOTE: CLIP SETS ON FOOT SUPPORTS MUST BE MOUNTED TO HOLES SHOWN HERE TO ENSURE CORRECT FIT WITH FOOT PLANK.



OPTION B: DOUBLE FOOT BOARDS

NOTE: CLIP SETS ON FOOT SUPPORTS MUST BE MOUNTED TO HOLES SHOWN HERE TO ENSURE CORRECT FIT WITH FOOT PLANK.

This drawing and all information contained herein is the property of NATIONAL RECREATION SYSTEMS, INC. and is not to be reproduced without express written permission of this manufacturer. We assume no responsibility for unauthorized use of this drawing. National Recreation Systems, Inc. is not responsible for local permits and occupancy requirements.

National Recreation Systems, Inc.

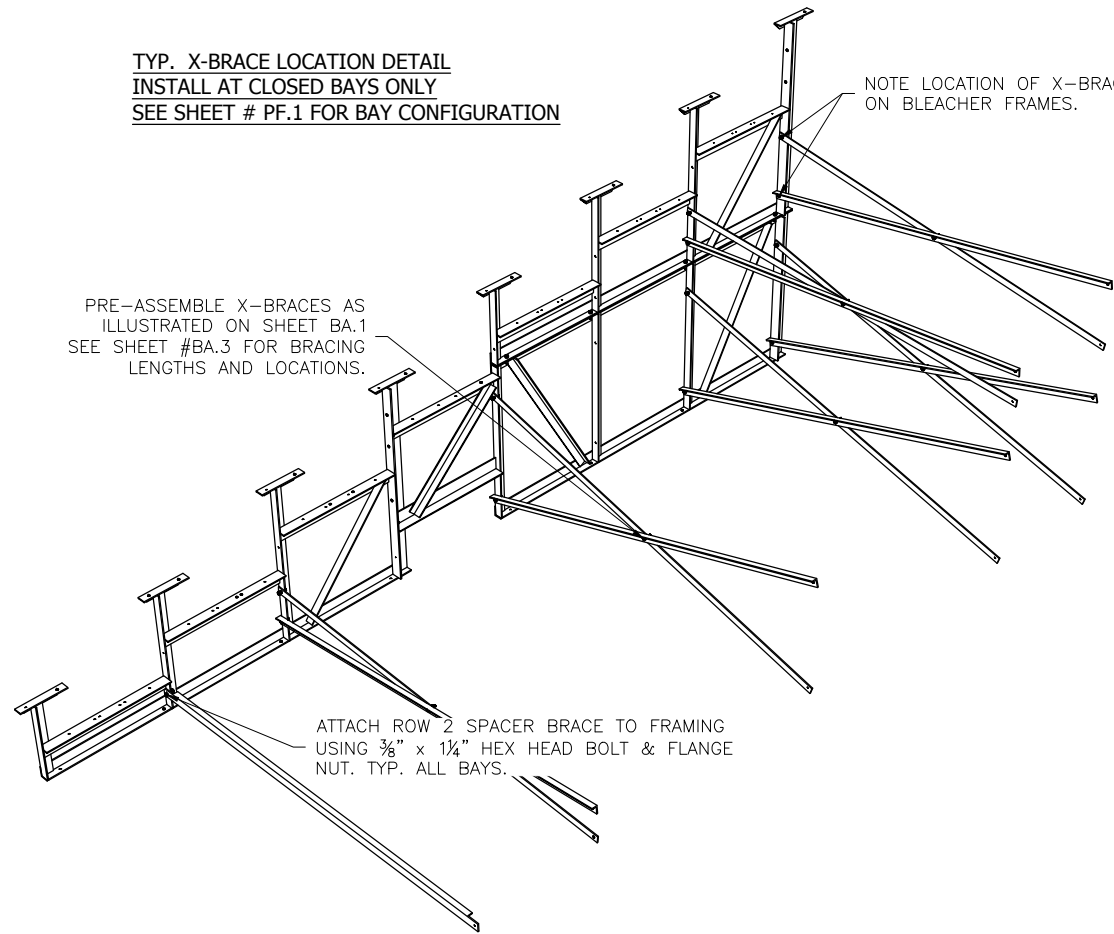
1300-D AIRPORT NORTH OFFICE PARK FORT WAYNE, IN 46825

SCALE: N.T.S.	APPROVED BY:	DRAWN BY: JML
DATE: 3/6/17		
TITLE: 8 ROW X 24'-0" FRAMING & CLIP SET PREPARATION		
BLEACHER MODEL #: NA-0824STD_CL	DRAWING NUMBER: BA.1	

TYP. X-BRACE LOCATION DETAIL
INSTALL AT CLOSED BAYS ONLY
SEE SHEET # PF.1 FOR BAY CONFIGURATION

PRE-ASSEMBLE X-BRACES AS
 ILLUSTRATED ON SHEET BA.1
 SEE SHEET #BA.3 FOR BRACING
 LENGTHS AND LOCATIONS.

NOTE LOCATION OF X-BRACES
 ON BLEACHER FRAMES.

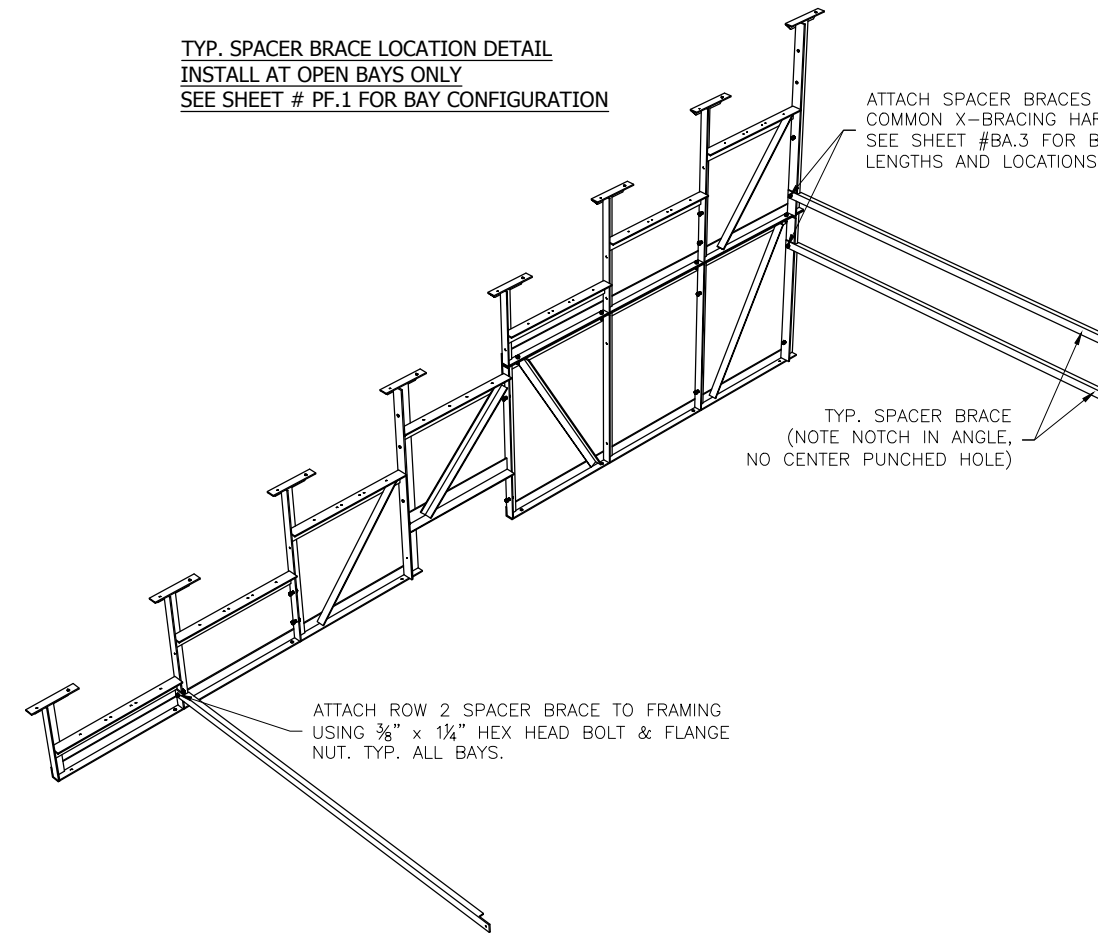


ATTACH ROW 2 SPACER BRACE TO FRAMING
 USING $\frac{3}{8}$ " x $\frac{1}{4}$ " HEX HEAD BOLT & FLANGE
 NUT. TYP. ALL BAYS.

TYP. SPACER BRACE LOCATION DETAIL
INSTALL AT OPEN BAYS ONLY
SEE SHEET # PF.1 FOR BAY CONFIGURATION

ATTACH SPACER BRACES USING
 COMMON X-BRACING HARDWARE
 SEE SHEET #BA.3 FOR BRACING
 LENGTHS AND LOCATIONS

TYP. SPACER BRACE
 (NOTE NOTCH IN ANGLE,
 NO CENTER PUNCHED HOLE)



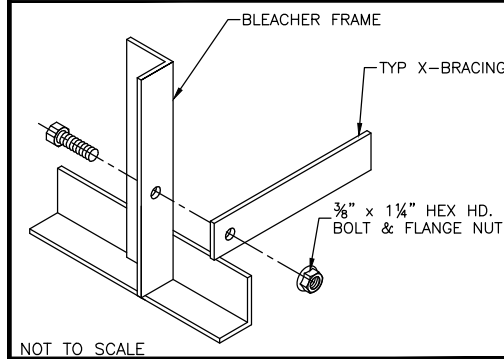
ATTACH ROW 2 SPACER BRACE TO FRAMING
 USING $\frac{3}{8}$ " x $\frac{1}{4}$ " HEX HEAD BOLT & FLANGE
 NUT. TYP. ALL BAYS.

This drawing and all information contained herein is the property of NATIONAL RECREATION SYSTEMS, INC. and is not to be reproduced without express written permission of this manufacturer. We assume no responsibility for unauthorized use of this drawing. National Recreation Systems, Inc. is not responsible for local permits and occupancy requirements.

National Recreation Systems, Inc.
1300-D AIRPORT NORTH OFFICE PARK FORT WAYNE, IN 46825

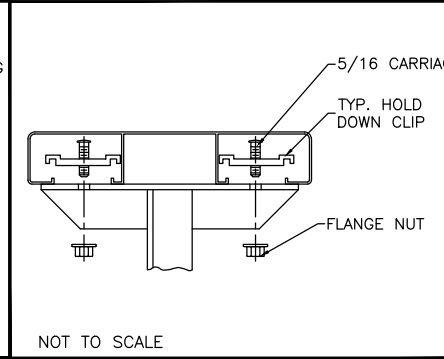
SCALE: N.T.S.	APPROVED BY:	DRAWN BY: JML
DATE: 3/6/17		
TITLE: 8 ROW X 24'-0" BLEACHER BRACING LOCATION		
BLEACHER MODEL #: NA-0824STD_CL	DRAWING NUMBER: BA.2	

⊕ TYP X-BRACE CONN. W/ 1/4 BOLT



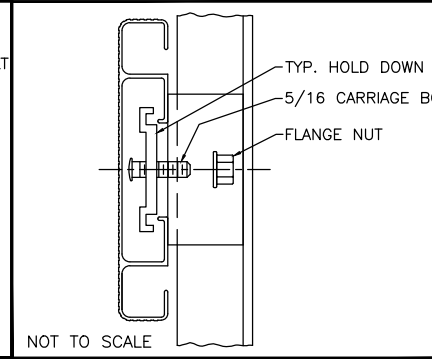
NOT TO SCALE

⊕ TYP 2x10 PLANK ATTACHMENT

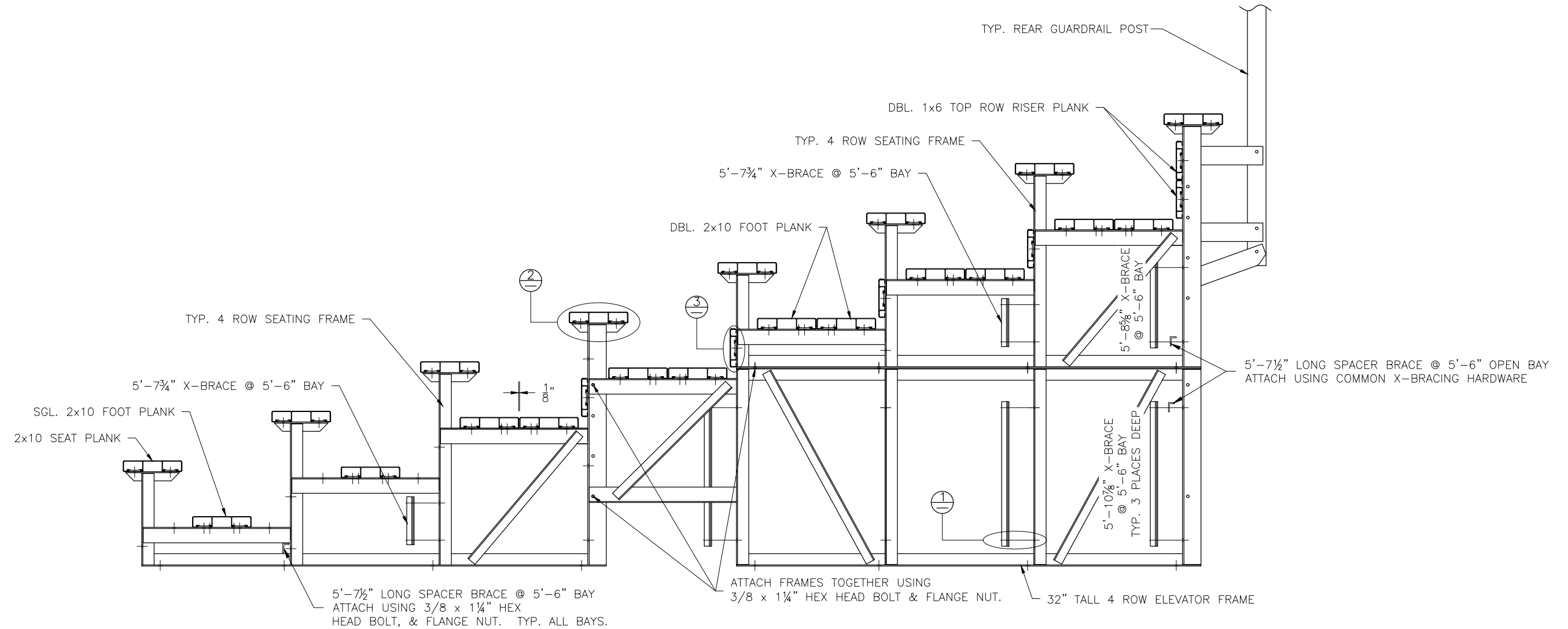


NOT TO SCALE

⊕ TYP 1x6 PLANK ATTACHMENT



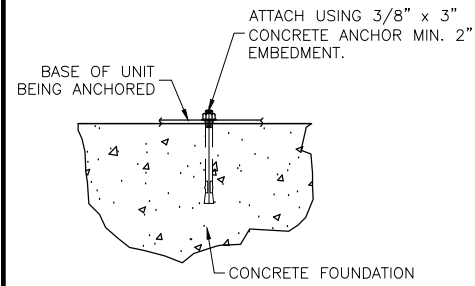
NOT TO SCALE



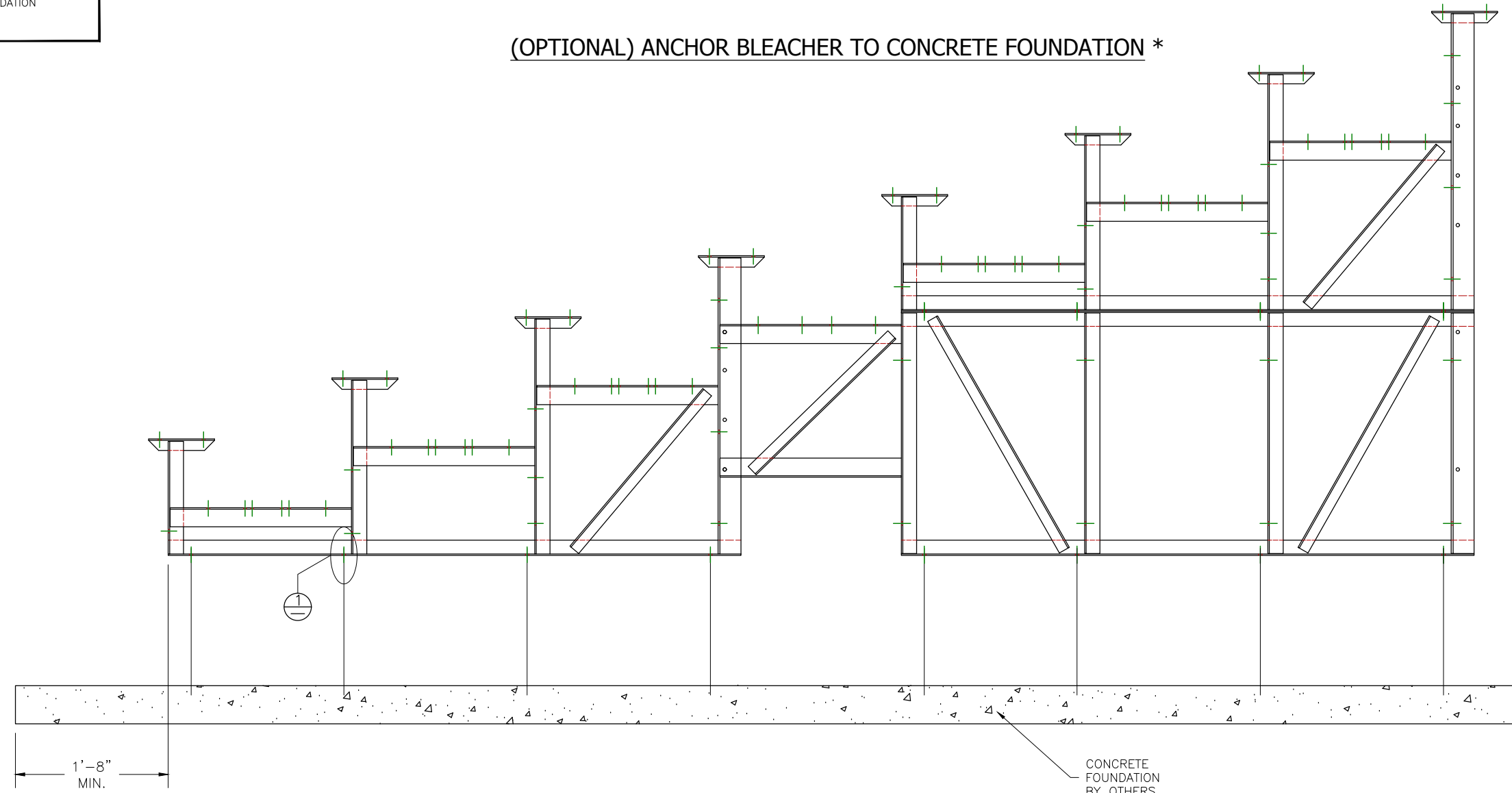
This drawing and all information contained herein is the property of NATIONAL RECREATION SYSTEMS, INC. and is not to be reproduced without express written permission of this manufacturer. We assume no responsibility for unauthorized use of this drawing. National Recreation Systems, Inc. is not responsible for local permits and occupancy requirements.

National Recreation Systems, Inc.		
1300-D AIRPORT NORTH OFFICE PARK FORT WAYNE, IN 46825		
SCALE: N.T.S.	APPROVED BY:	DRAWN BY: JML
DATE: 3/6/17		
TITLE: 8 ROW X 24'-0" BLEACHER ASSEMBLY		
BLEACHER MODEL #: NA-0824STD_CL	DRAWING NUMBER: BA.3	

⊕ WEDGE ANCHOR DETAIL - 3"



(OPTIONAL) ANCHOR BLEACHER TO CONCRETE FOUNDATION *



* CONCRETE WEDGE ANCHORS NOT INCLUDED WITH ALL UNITS. IF USING OTHER ANCHORING SYSTEM, SKIP THIS STEP AND REFER TO INSTRUCTIONS SPECIFIC TO THE ANCHORING SYSTEM PURCHASED FOR YOUR UNIT. SEE PRINT FP.1 (INCLUDED IN THIS PACKET) FOR GENERAL CONCRETE FOUNDATION SPECIFICATIONS.

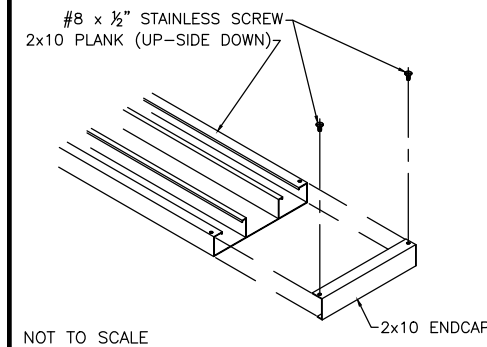
This drawing and all information contained herein is the property of NATIONAL RECREATION SYSTEMS, INC. and is not to be reproduced without express written permission of this manufacturer. We assume no responsibility for unauthorized use of this drawing. National Recreation Systems, Inc. is not responsible for local permits and occupancy requirements.

National Recreation Systems, Inc.

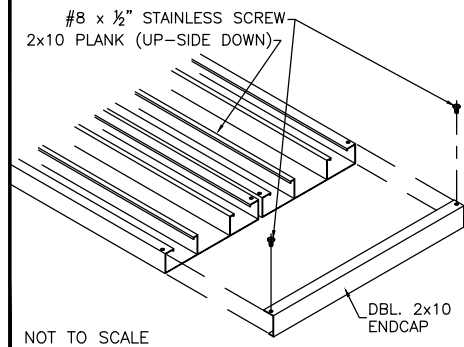
1300-D AIRPORT NORTH OFFICE PARK FORT WAYNE, IN 46825

SCALE: N.T.S.	APPROVED BY:	DRAWN BY: JML
DATE: 3/6/17		
TITLE: 8 ROW X 24'-0" ANCHORING PLAN		
BLEACHER MODEL #: NA-0824STD_CL	DRAWING NUMBER: AP.1	

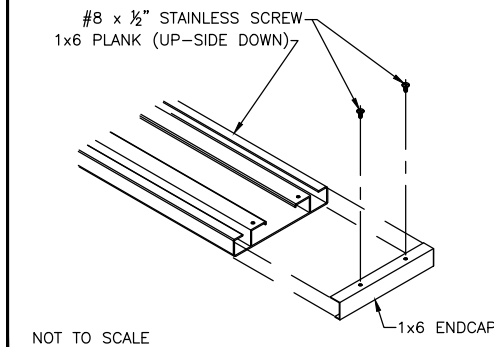
⊕ TYP 2x10 ENDCAP ATTACHMENT



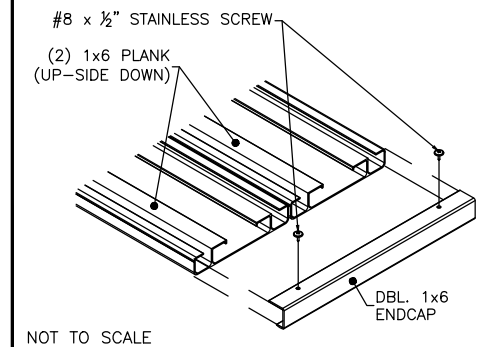
⊖ DBL. 2x10 ENDCAP ATTACHMENT



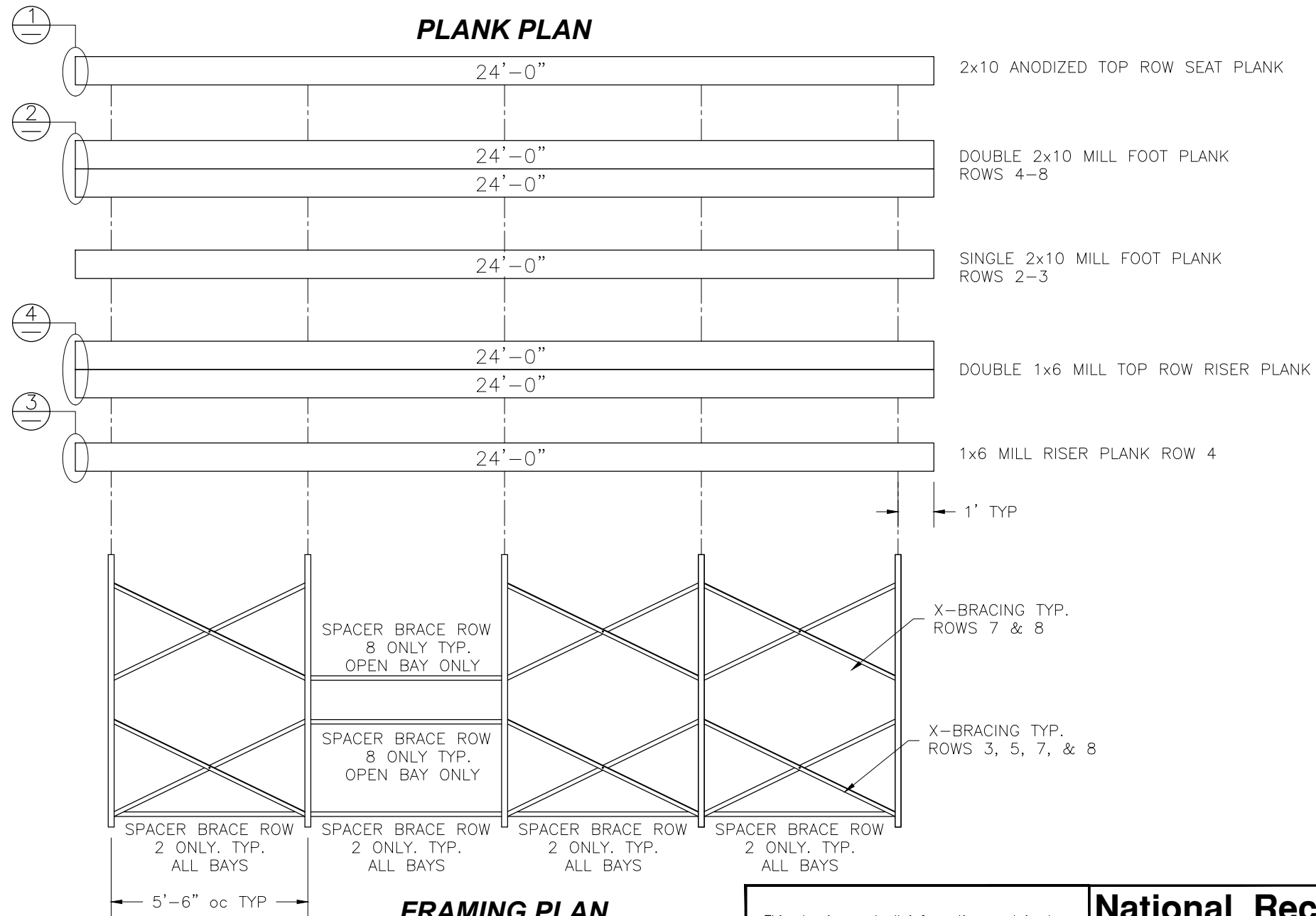
⊕ TYP 1x6 ENDCAP ATTACHMENT



⊖ DBL. 1x6 ENDCAP ATTACHMENT



PLANK PLAN



FRAMING PLAN

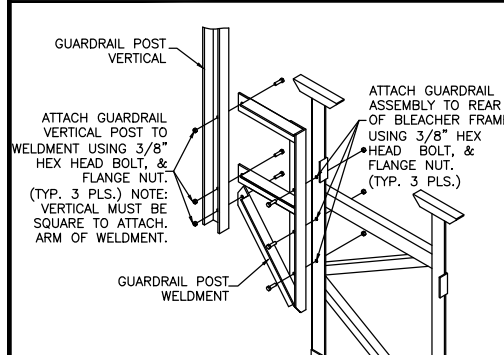
This drawing and all information contained herein is the property of NATIONAL RECREATION SYSTEMS, INC. and is not to be reproduced without express written permission of this manufacturer. We assume no responsibility for unauthorized use of this drawing. National Recreation Systems, Inc. is not responsible for local permits and occupancy requirements.

National Recreation Systems, Inc.

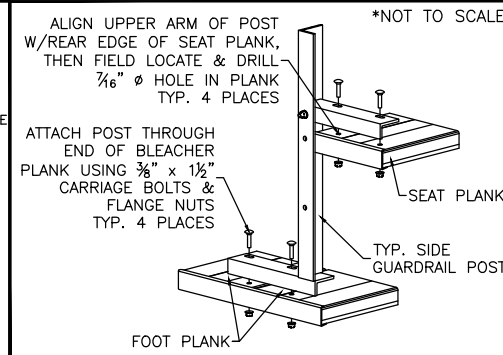
1300-D AIRPORT NORTH OFFICE PARK FORT WAYNE, IN 46825

SCALE: N.T.S.	APPROVED BY:	DRAWN BY: JML
DATE: 3/6/17		
TITLE: 8 ROW 24'-0" PLANK & FRAMING PLAN		
BLEACHER MODEL #: NA-0824STD_CL	DRAWING NUMBER: PF.1	

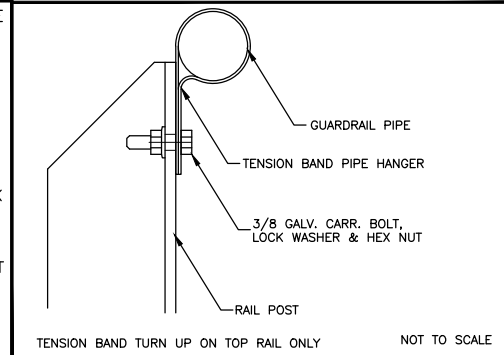
1 REAR GUARDRAIL POST ATTACH.



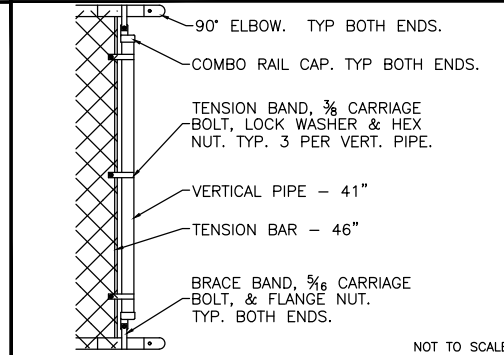
2 SIDE GD. RAIL POST INSTALLATION



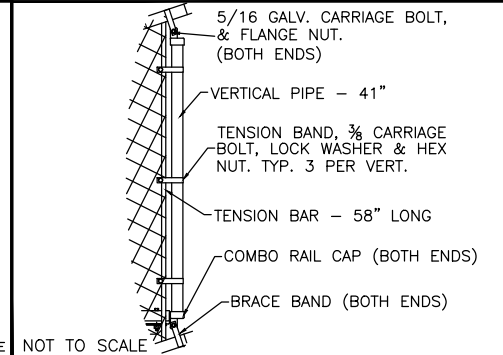
3 TENSION BAND ATTACHMENT



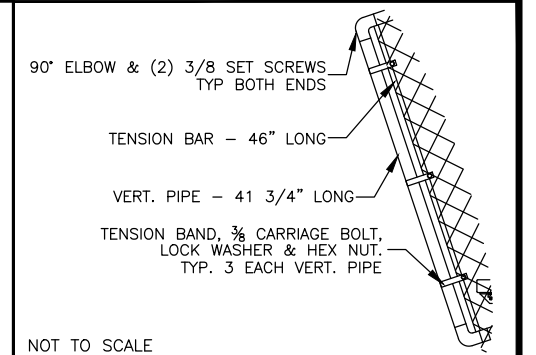
4 VERT. PIPE DETAIL-REAR, TOP



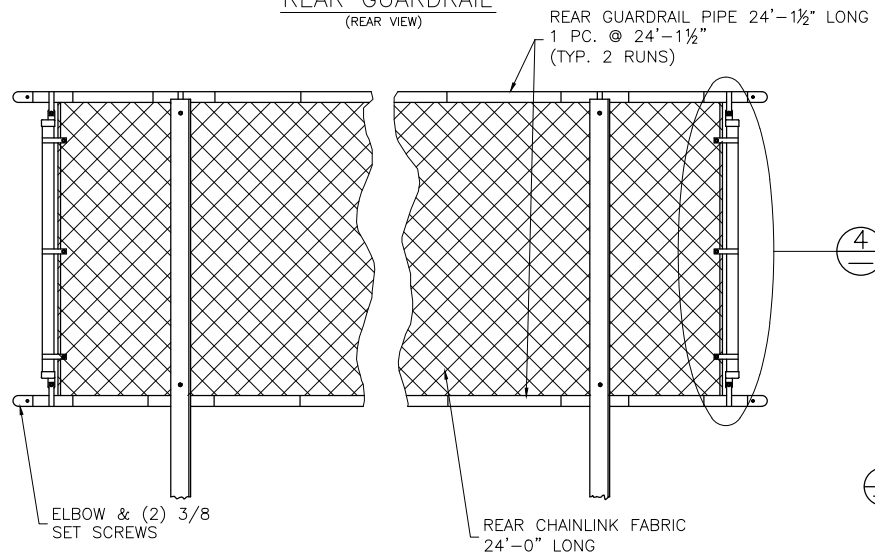
5 VERT. PIPE DETAIL (SIDE, TOP)



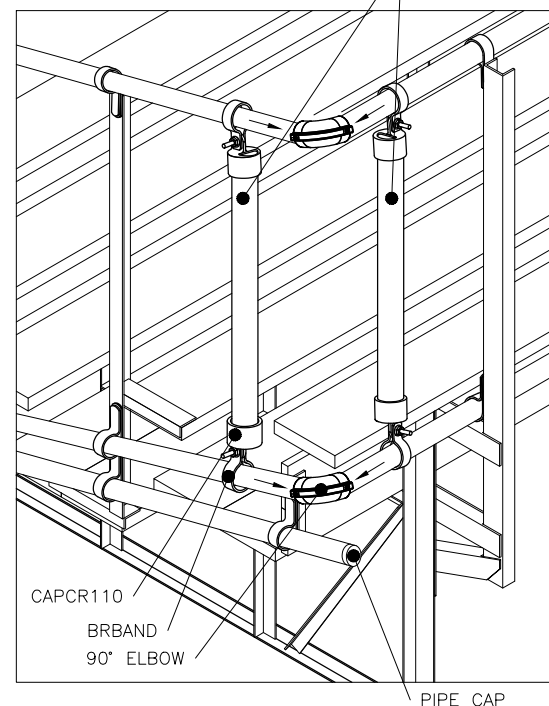
6 VERT. PIPE DETAIL (NE-SIDE, BOT.)



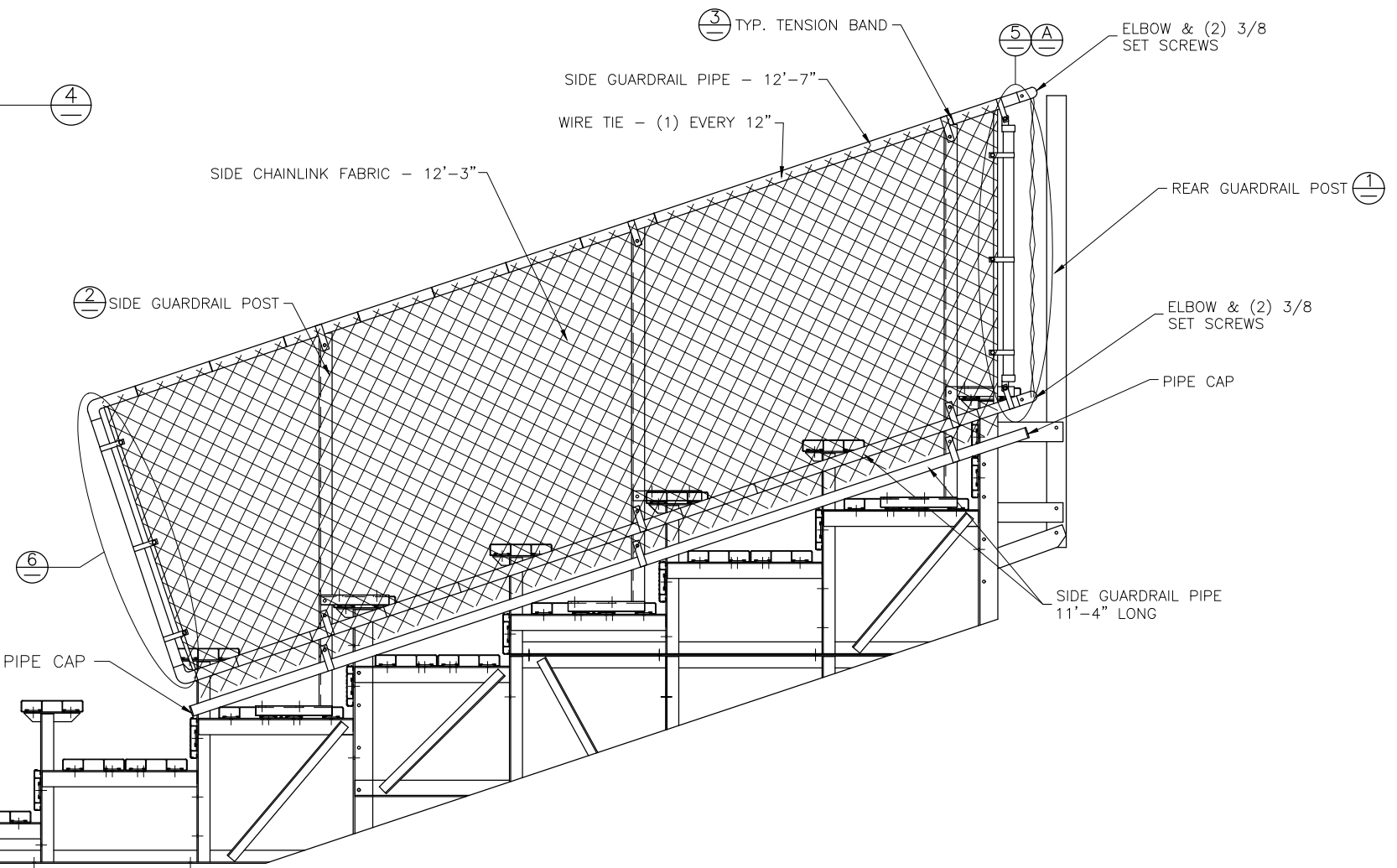
REAR GUARDRAIL (REAR VIEW)



BRING VERTICAL MEMBERS TOGETHER TO CLOSE GAP TO LESS THAN 4"



DETAIL "A" - REAR CORNER GUARDRAIL ASSEMBLY



This drawing and all information contained herein is the property of NATIONAL RECREATION SYSTEMS, INC. and is not to be reproduced without express written permission of this manufacturer. We assume no responsibility for unauthorized use of this drawing. National Recreation Systems, Inc. is not responsible for local permits and occupancy requirements.

National Recreation Systems, Inc.
1300-D AIRPORT NORTH OFFICE PARK FORT WAYNE, IN 46825

SCALE: N.T.S.	APPROVED BY:	DRAWN BY: JML
DATE: 3/6/17		
TITLE: 8 ROW X 24'-0" GUARD RAIL ASSEMBLY		
BLEACHER MODEL #: NA-0824STD_CL	DRAWING NUMBER: GR.1	